

# Foreword

Welcome to the growing family of new NISSAN owners. This vehicle has been delivered to you with confidence. It was produced using the latest techniques and strict quality control.

This manual was prepared to help you understand the operation and maintenance of your vehicle so that you may enjoy many miles of driving pleasure. Please read through this manual before operating your vehicle.

**In the U.S., a separate Warranty Information and Maintenance Log Booklet or in Canada, a Warranty and Roadside Assistance Information Booklet explains details about the warranties covering your vehicle and vehicle maintenance schedules. Additionally, a separate Customer Care/Lemon Law Booklet (U.S. only) will explain how to resolve any concerns you may have with your vehicle, as well as clarify your rights under your state's lemon law.**

Your NISSAN dealership knows your vehicle best. When you require any service or have any questions, they will be glad to assist you with the extensive resources available to them.

## READ FIRST - THEN DRIVE SAFELY

Before driving your vehicle please read this owner's manual carefully. This will ensure familiarity with controls and maintenance requirements, assisting you in the safe operation of your vehicle.

### WARNING

#### IMPORTANT SAFETY INFORMATION REMINDERS FOR SAFETY!

Follow these important driving rules to help ensure a safe and complete trip for you and your passengers

- NEVER drive under the influence of alcohol or drugs.
- ALWAYS observe posted speed limits and never drive too fast for conditions.
- ALWAYS use your seat belts and appropriate child restraint systems.
- ALWAYS provide information about the proper use of vehicle safety features to all occupants of the vehicle.
- ALWAYS review this owner's manual for important safety information.

The inside pages of this manual contain a minimum of 50% recycled fibers, including 10% post-consumer fibers.



For descriptions specified for four-wheel drive models, a **4x4** mark is placed at the beginning of the applicable sections/items.

**As with other vehicles with features for off-road use, failure to operate four-wheel drive models correctly may result in loss of control or an accident. Be sure to read "Driving safety precautions" in the "Starting and driving" section of this manual.**

#### ON-PAVEMENT AND OFF-ROAD DRIVING

This vehicle will handle and maneuver differently from an ordinary passenger car because it has a higher center of gravity for off-road use. As with other vehicles with features of this type, failure to operate this vehicle correctly may result in loss of control or an accident.

Be sure to read "On-pavement and off-road driving precautions", and "Avoiding collision and rollover", and "Driving safety precautions", in the "Starting and driving" section of this manual.

# Foreword

Welcome to the growing family of new NISSAN owners. This vehicle has been delivered to you with confidence. It was produced using the latest techniques and strict quality control.

This manual was prepared to help you understand the operation and maintenance of your vehicle so that you may enjoy many miles of driving pleasure. Please read through this manual before operating your vehicle.

**In the U.S., a separate Warranty Information and Maintenance Log Booklet or in Canada, a Warranty and Roadside Assistance Information Booklet explains details about the warranties covering your vehicle and vehicle maintenance schedules. Additionally, a separate Customer Care/Lemon Law Booklet (U.S. only) will explain how to resolve any concerns you may have with your vehicle, as well as clarify your rights under your state's lemon law.**

Your NISSAN dealership knows your vehicle best. When you require any service or have any questions, they will be glad to assist you with the extensive resources available to them.

## READ FIRST - THEN DRIVE SAFELY

Before driving your vehicle please read this owner's manual carefully. This will ensure familiarity with controls and maintenance requirements, assisting you in the safe operation of your vehicle.

### WARNING

#### IMPORTANT SAFETY INFORMATION

##### REMINDERS FOR SAFETY!

Follow these important driving rules to help ensure a safe and complete trip for you and your passengers

- NEVER drive under the influence of alcohol or drugs.
- ALWAYS observe posted speed limits and never drive too fast for conditions.
- ALWAYS use your seat belts and appropriate child restraint systems. Pre-teen children should be seated in the rear seat.
- ALWAYS provide information about the proper use of vehicle safety features to all occupants of the vehicle.

The inside pages of this manual contain a minimum of 50% recycled fibers, including 10% post-consumer fibers.



- **ALWAYS review this owner's manual for important safety information.**

For descriptions specified for four-wheel drive models, a **4x4** mark is placed at the beginning of the applicable sections/items.

**As with other vehicles with features for off-road use, failure to operate four-wheel drive models correctly may result in loss of control or an accident. Be sure to read "Driving safety precautions" in the "Starting and driving" section of this manual.**

#### ON-PAVEMENT AND OFF-ROAD DRIVING

This vehicle will handle and maneuver differently from an ordinary passenger car because it has a higher center of gravity for off-road use. As with other vehicles with features of this type, failure to operate this vehicle correctly may result in loss of control or an accident.

Be sure to read "On-pavement and off-road driving precautions", and "Avoiding collision and rollover", and "Driving safety precautions", in the "Starting and driving" section of this manual.



## IMPORTANT INFORMATION ABOUT THIS MANUAL

You will see various symbols in this manual. They are used in the following ways:



### WARNING

**This is used to indicate the presence of a hazard that could cause death or serious personal injury. To avoid or reduce the risk, the procedures must be followed precisely.**



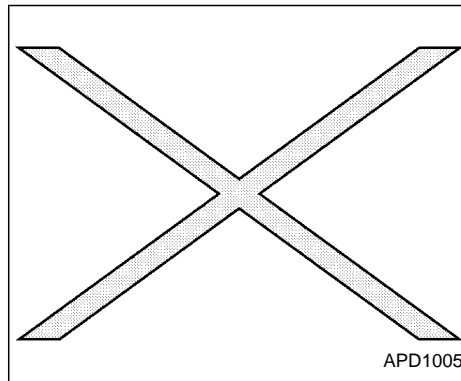
### CAUTION

**This is used to indicate the presence of a hazard that could cause minor or moderate personal injury or damage to your vehicle. To avoid or reduce the risk, the procedures must be followed carefully.**

### MODIFICATION OF YOUR VEHICLE

**This vehicle should not be modified. Modification could affect its performance, safety or durability, and may even violate governmental regulations. In addition, damage or performance problems resulting from modification may not be covered under NISSAN warranties.**

All information, specifications and illustrations in this manual are those in effect at the time of printing. NISSAN reserves the right to change specifications or design without notice and without obligation.

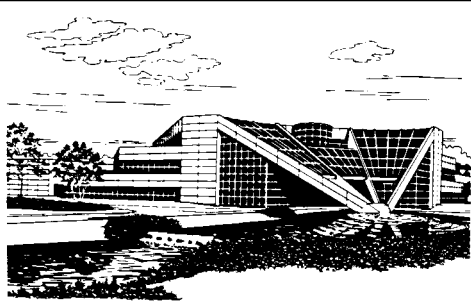


If you see this symbol, it means "Do not do this" or "Do not let this happen."

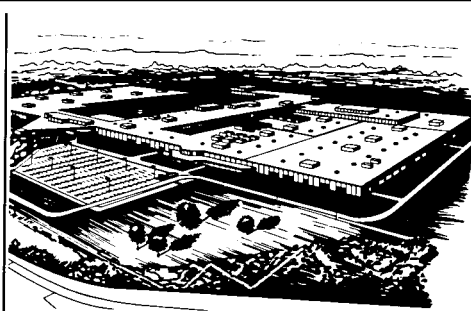
© 1999 NISSAN NORTH AMERICA, INC.  
GARDENA, CALIFORNIA.

All rights reserved. No part of this Owner's Manual may be reproduced or stored in a retrieval system, or transmitted in any form, or by any means, electronic, mechanical, photocopying, recording or otherwise, without the prior written permission of Nissan North America, Inc., Gardena, California.

# Welcome To The World Of NISSAN



NISSAN RESEARCH & DEVELOPMENT, INC.  
in Farmington Hills, Michigan



NISSAN MOTOR MANUFACTURING CORPORATION  
U.S.A. in Smyrna, Tennessee      AFW0001

Your new NISSAN is the result of our dedication to produce the finest in safe, reliable and economical transportation. Your vehicle is the product of a successful worldwide company that manufactures cars and trucks in over 17 countries and distributes them in 170 nations.

NISSAN vehicles are designed and manufactured by Nissan Motor Co., Ltd. which was founded in Tokyo, Japan in 1933, and NISSAN affiliates world wide, collectively growing to become the fifth largest automaker in the world. In addition to cars and trucks, NISSAN also makes textile machinery, fork-lift trucks, marine engines, boats and other products.

NISSAN has made a substantial and growing investment in North America, starting with the opening of Nissan Motor Corporation U.S.A. in 1960, and continuing with the production of some

cars and trucks at one of the world's most modern manufacturing facilities, Nissan Motor Manufacturing Corporation U.S.A. in Smyrna, Tennessee, vehicle styling at Nissan Design International in San Diego, California, and engineering at Nissan Research and Development in Farmington Hills, Michigan.

NISSAN and its dealers indirectly employ about 60,000 Americans.

NISSAN is also a substantial contributor to the Canadian economy. Nissan Canada Inc., its suppliers and over 140 dealers employ approximately 4,500 people. These include company employees and the staffs of NISSAN dealers all across Canada. In addition, many Canadians work for companies that supply NISSAN and NISSAN dealers with materials and services ranging from operation of port facilities and trans-

portation services to the supply of lubricants, parts and accessories.

NISSAN pioneered the use of electronics and computers in automobiles, and has led the industry in improving both performance and fuel efficiency through new engine designs and the use of synthetic materials to reduce vehicle weight. The company has also developed ways to build quality into its vehicles at each stage of the production process, both through extensive use of automation and — most importantly — through an awareness that **people** are the central element in quality control.

From the time the parts arrived from our suppliers until you took delivery of your new NISSAN, dozens of checks were made to ensure that only the best job was being done in producing and delivering your vehicle. NISSAN also takes great care to ensure that when you take your NISSAN to your dealer for maintenance, the service technician will perform his work according to the quality standards that have been established by the factory.

Safety has also been built into your NISSAN. As you know, seat belts are an integral part of the safety systems that will help protect you and your passengers in the event of a sudden stop or an accident. We urge you to use the seat belts every time you drive the vehicle.

The NISSAN story of growth and achievement reflects our major goal: to provide you, our customer, with a vehicle that is built with quality and craftsmanship — a product that we can be proud to build and you can be proud to own.

# NISSAN CUSTOMER CARE PROGRAM

## NISSAN CARES ...

Both NISSAN and your NISSAN dealer are dedicated to serving all your automotive needs. Your satisfaction with your vehicle and your NISSAN dealer are our primary concerns. Your NISSAN dealer is always available to assist you with all your automobile sales and service needs.

However, if there is something that your NISSAN dealer cannot assist you with or you would like to provide NISSAN directly with comments or questions, please contact our (NISSAN's) Consumer Affairs Department using our toll-free number:

### **For U.S. mainland customers**

**1-800-NISSAN-1**

**(1-800-647-7261)**

### **For Hawaii customers**

**(808) 836-0888 (Oahu Number)**

### **For CANADIAN customers**

**1-800-387-0122**

The Consumer Affairs Department will ask for the following information:

- Your name, address, and telephone number
- Vehicle identification number (on dash board)
- Date of purchase
- Current odometer reading
- Your NISSAN dealer's name
- Your comments or questions

**OR**

You can write to NISSAN with the informa-

tion on the left at:

### **For U.S. mainland and Alaska customers**

**Nissan North America, Inc.  
Consumer Affairs Department  
P.O. Box 191  
Gardena, California 90248-0191**

### **For Hawaii customers**

**Nissan Motor Corporation in Hawaii  
2880 Kilihau St.  
Honolulu, Hawaii 96819**

### **For Canada customers**

**Nissan Canada Inc.  
5290 Orbitor Drive  
Mississauga, Ontario L4W 4Z5**

We appreciate your interest in NISSAN and thank you for buying a quality NISSAN vehicle.



# Table of Contents

<b>Seats, restraints and supplemental air bag systems</b>	<b>1</b>
<b>Instruments and controls</b>	<b>2</b>
<b>Pre-driving checks and adjustments</b>	<b>3</b>
<b>Heater, air conditioner and audio systems</b>	<b>4</b>
<b>Starting and driving</b>	<b>5</b>
<b>In case of emergency</b>	<b>6</b>
<b>Appearance and care</b>	<b>7</b>
<b>Do-it-yourself</b>	<b>8</b>
<b>Maintenance</b>	<b>9</b>
<b>Technical and consumer information</b>	<b>10</b>
<b>Index</b>	<b>11</b>

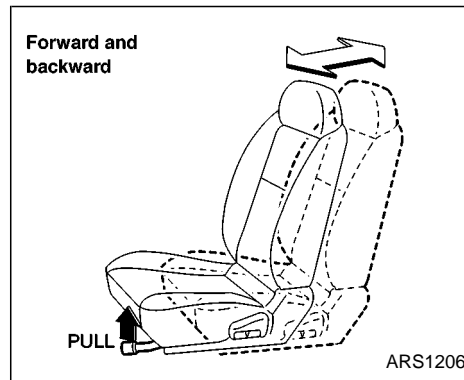
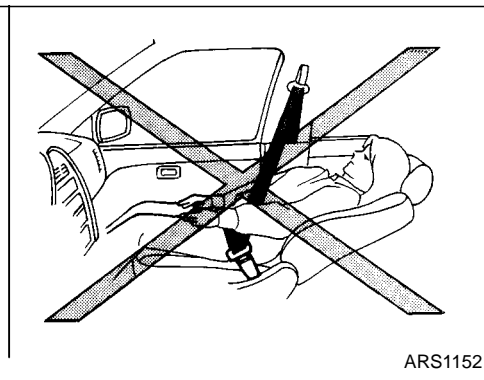




# 1 Seats, restraints and supplemental air bag systems

Front bucket seats.....	1-2	Supplemental air bag warning light .....	1-18
Seat adjustment .....	1-2	Seat belts .....	1-20
Tilting front bucket seat (King Cab models only).....	1-3	Precautions on seat belt usage .....	1-20
Front 60/40 bench seats .....	1-4	Child safety.....	1-22
Seat adjustment .....	1-4	Pregnant women .....	1-23
Tilting front 60/40 bench seat (King Cab models only).....	1-5	Injured persons .....	1-23
Head restraints .....	1-6	Three-point type with retractor .....	1-24
Front bench seat .....	1-7	Two-point type without retractor (center of 60/40 bench seat) .....	1-26
Seat adjustment.....	1-7	Two-point type without retractor (jump seat and center of bench seat) .....	1-27
Tilting front bench seat.....	1-8	Seat belt extenders .....	1-29
Tilting rear bench seat (Crew Cab models only).....	1-8	Seat belt maintenance .....	1-30
Jump seats .....	1-9	Child restraints .....	1-30
Supplemental restraint system (supplemental air bag system).....	1-10	Front facing installation on front passenger seat (three-point type with retractor).....	1-32
Supplemental air bag system .....	1-13	Rear facing installation on front passenger seat (three-point type with retractor).....	1-35
Passenger supplemental air bag on/off switch and light (except Crew Cab models) .....	1-15	Top strap child restraint .....	1-45
Warning labels.....	1-18		

## FRONT BUCKET SEATS



### **⚠ WARNING**

- Do not ride in a moving vehicle when the seatback is reclined. This can be dangerous. The shoulder belt will not be against your body. In an accident you could be thrown into it and receive neck or other serious injuries. You could also slide under the lap belt and receive serious internal injuries.

- For most effective protection when the vehicle is in motion, the seat should be upright. Always sit well back in the seat and adjust the seat properly. See "Precautions on Seat Belt Usage" later in this section.

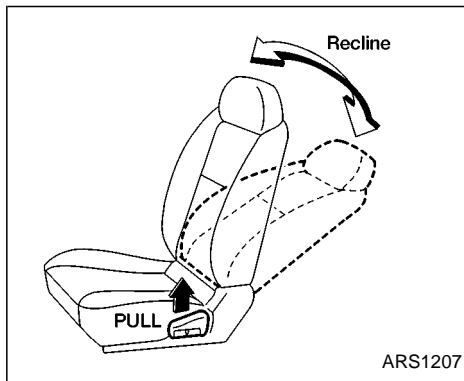
## SEAT ADJUSTMENT

### **⚠ WARNING**

- Do not adjust the driver's seat while driving. The seat may move suddenly and could cause loss of control of the vehicle.
- After adjustment, gently rock in the seat to make sure it is securely locked.

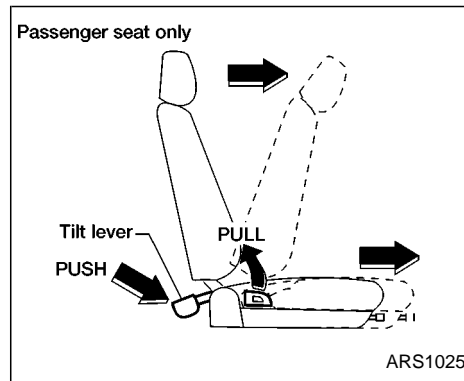
## Forward and backward

Pull the lever up and hold it while you slide the seat forward or backward to the desired position. Release the lever to lock the seat in position.



### Reclining

To recline the seatback, pull the lever up and lean back. To bring the seatback forward, pull the lever up and lean your body forward. Release the lever to lock the seatback in position.



### TILTING FRONT BUCKET SEAT (King Cab models only)

The front passenger's seat can be tilted to make it easier for jump seat passengers to get in and out.

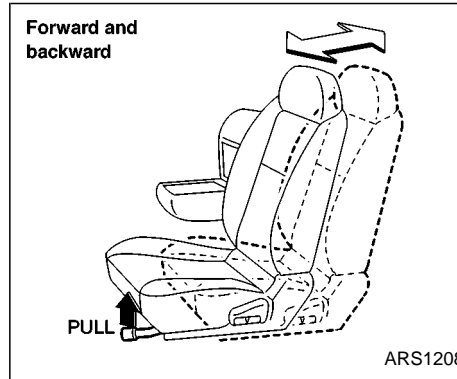
To tilt the seatback, pull the reclining lever up or push the tilt lever down. The seat automatically moves forward.

To return the seat, move the whole seat backward, then push the seatback up until it locks.

## FRONT 60/40 BENCH SEATS

### WARNING

After adjustment, gently rock in the seat to make sure it is securely locked.



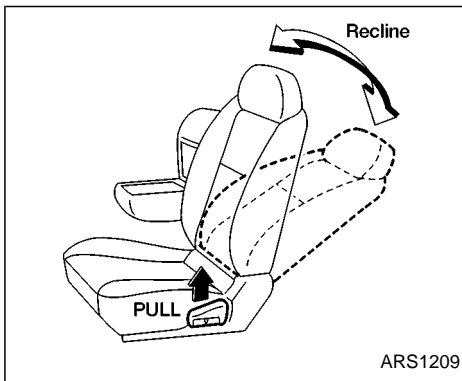
### SEAT ADJUSTMENT

### WARNING

- Do not adjust the driver's seat while driving. The seat may move suddenly and could cause loss of control of the vehicle.
- After adjustment, gently rock in the seat to make sure it is securely locked.

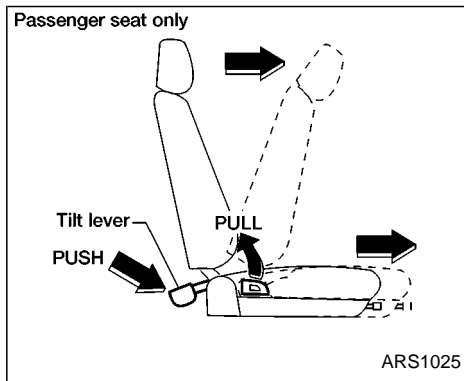
### Forward and backward

Pull the lever up while you slide the seat forward or backward to the desired position. Release the lever to lock the seat in position.



### Reclining

To recline the seatback pull the lever up and lean back. To bring the seatback forward, pull the lever up and lean your body forward. The seatback moves forward. Release the lever to lock the seatback in position.



### TILTING FRONT 60/40 BENCH SEAT (King Cab models only)

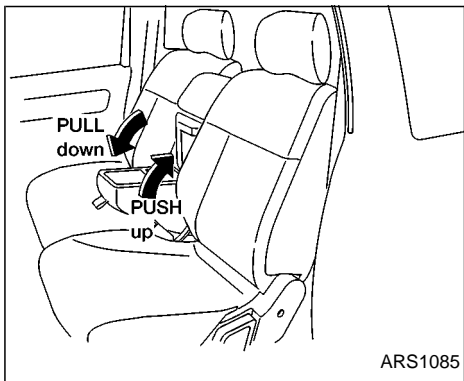
The front passenger's seat can be tilted to make it easier for jump seat passengers to get in and out.

To tilt the seatback, pull the reclining lever up or push the tilt lever down. The seat automatically moves forward.

To return the seat, move the whole seat backward, then push the seatback up until it locks.

### WARNING

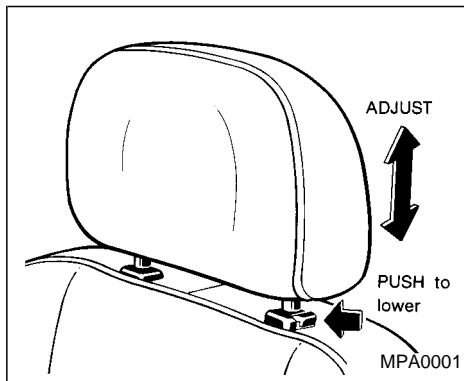
After adjustment, gently rock in the seat to make sure it is securely locked



Pull down the armrest/storage compartment. Push the release button and lift the armrest lid to the upright position to access the storage compartment and cup holder.

**⚠ WARNING**

**Do not sit on the armrest. The armrest is not a seating surface. Using the armrest as a seating surface may cause serious injury in an accident.**



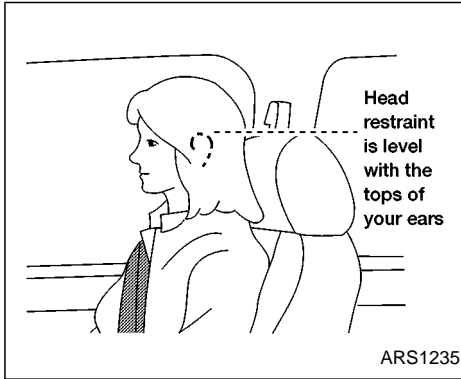
## HEAD RESTRAINTS

To raise the head restraint, pull it up. To lower, push and hold the lock knob, then push the head restraint down.

**⚠ WARNING**

**Head restraints should be adjusted properly as they may provide significant protection against injury in an accident. Do not remove them. Check the adjustment after someone else uses the seat.**

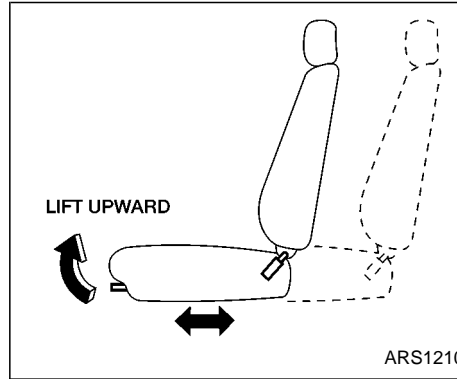
## FRONT BENCH SEAT



Adjust the top of the head restraint even with the tops of your ears.

### NOTE:

The head restraints on the bench seat are not adjustable.



## SEAT ADJUSTMENT

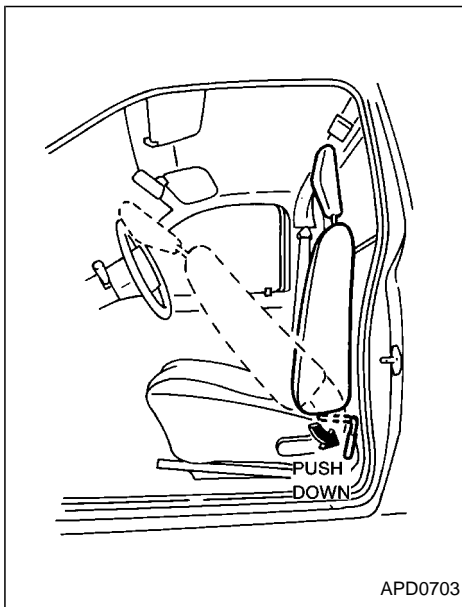
### **⚠ WARNING**

- Do not use a child restraint in the center position of the front bench seat if the type of restraint used interferes with operation of the driving controls.
- Do not adjust the bench seat while driving. The seat may move suddenly and could cause loss of control of the vehicle.

- After adjustment, gently rock in the seat to make sure it is securely locked.

### Forward and Backward

Pull the lever up and hold it while you slide the seat forward or backward to the desired position. Release the lever to lock the seat in position.



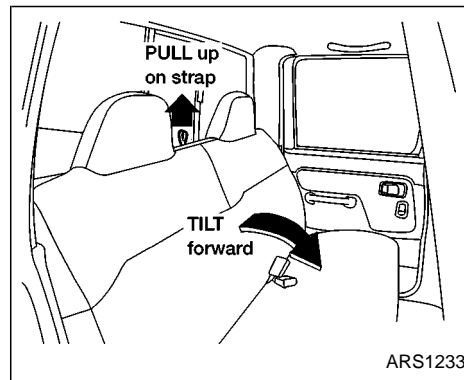
### TILTING FRONT BENCH SEAT

The bench seat can be tilted forward to make it easier to remove the jacking tools from the storage area.

To tilt the seatback, push the tilting lever down, then pull the seatback forward.

#### **⚠ WARNING**

**After adjustment, gently rock in the seat to make sure it is securely locked.**



### TILTING REAR BENCH SEAT (Crew Cab models only)

The rear bench seat can be tilted to remove the jacking tools from the storage area.

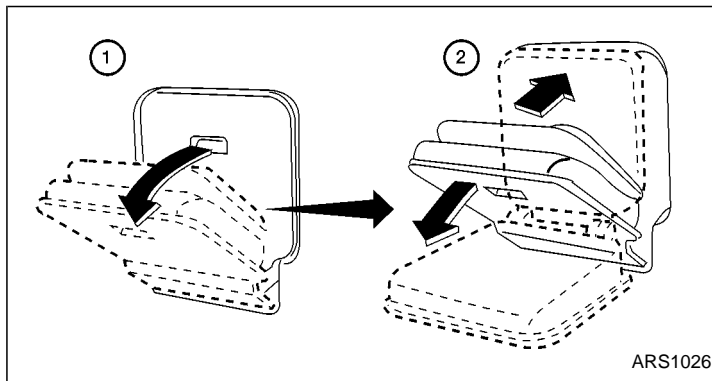
To tilt the seat back, pull the strap up and push the seat back forward.

#### **⚠ WARNING**

**Never allow anyone to ride in the cargo area or on the rear seat when it is in the fold-down position. Use of these areas by passengers without proper restraints could result in serious injury in an accident or sudden stop.**



## JUMP SEATS



### **⚠ WARNING**

- Do not use a child restraint in the jump seats (King Cab model). These seats are not suitable for child restraint installation.
- When folding the jump seat, be careful not to squeeze your finger between the seat cushion and the body side.

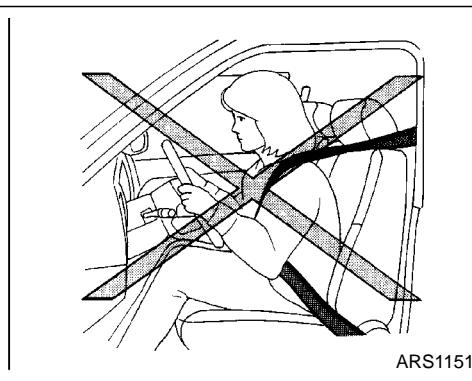
## SUPPLEMENTAL RESTRAINT SYSTEM (supplemental air bag system)

This supplemental restraint system section contains important information concerning the driver and passenger supplemental air bags. The supplemental restraint system air bags can help reduce impact force to the driver and front passenger in certain frontal collisions. The supplemental air bags are designed to **supplement** the crash protection provided by the driver and front passenger seat belts and are **not a substitute** for them. Seat belts should always be correctly worn and the driver and front passenger seated a suitable distance away from the steering wheel and instrument panel. See "Seat belts" for instructions and precautions on seat belt usage later in this section.

The supplemental air bags operate only when the ignition switch is in the ON or START position.

### WARNING

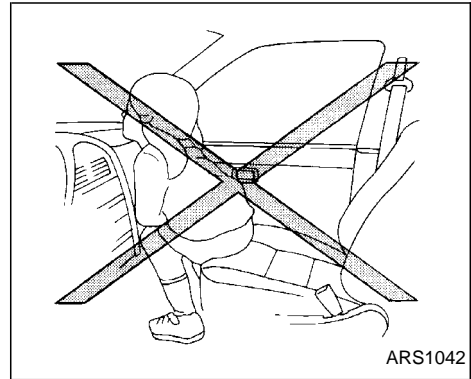
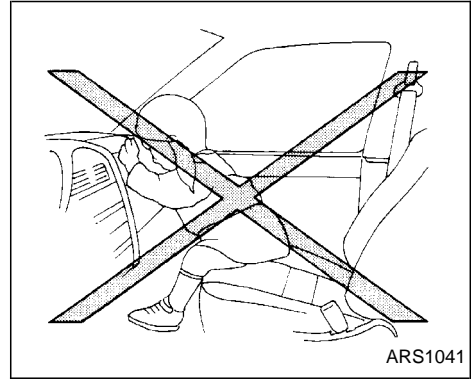
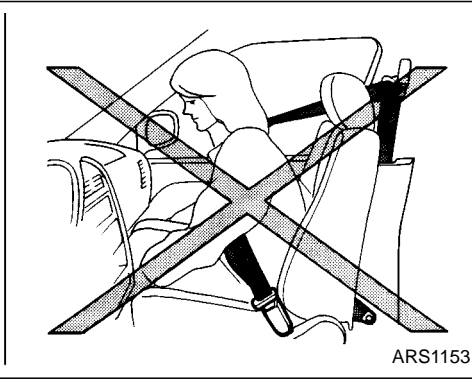
- The supplemental air bags ordinarily will not inflate in the event of a side impact, rear impact, roll over, or lower severity frontal collision. Always wear your seat belts to help reduce the risk or severity of injury in various kinds of accidents.

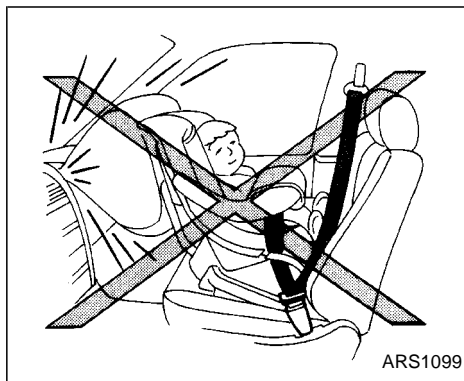
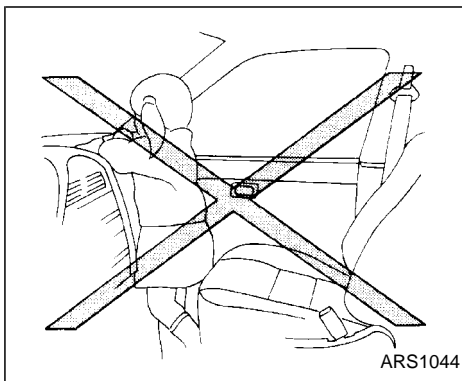
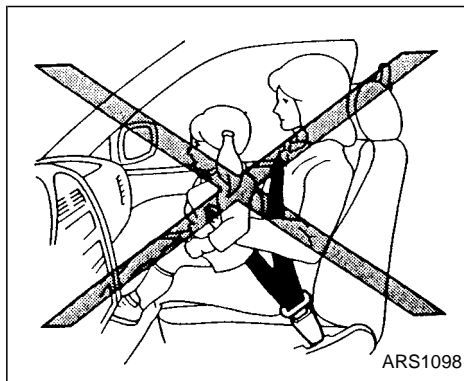
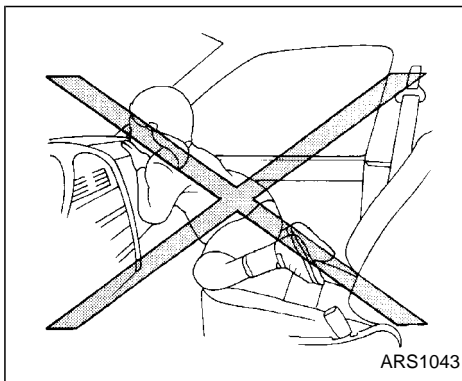


- The seat belts and the supplemental air bags are most effective when you are sitting well back and upright in the seat. Supplemental air bags inflate with great force. If you are unrestrained, leaning forward, sitting sideways or out of position in any way, you are at greater risk of injury or death in a crash and may also receive serious or fatal injuries from the supplemental air bag if you are up against it when it inflates. Always sit back against the seatback and as

far away as practical from the steering wheel or instrument panel. Always use the seat belts.

- Keep hands on the outside of the steering wheel. Placing them inside the steering wheel rim could increase the risk that they are injured when the supplemental air bag inflates.

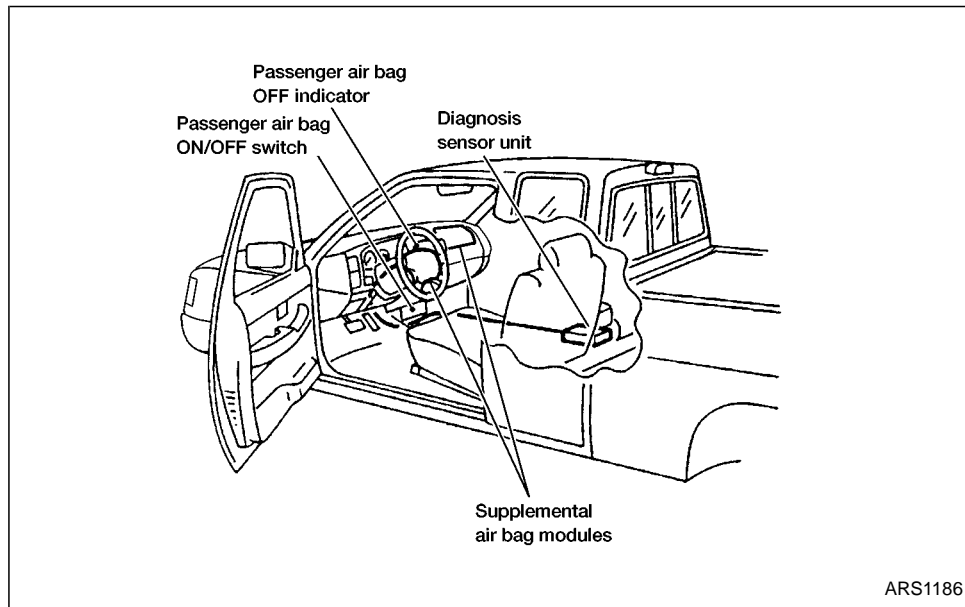




**⚠ WARNING**

- Never let children ride unrestrained. Do not attempt to hold them in your lap or arms. Some examples of dangerous riding positions are shown in the previous illustrations.
- Children may be severely injured or killed when the supplemental air bag inflates if they are not properly restrained.
- Never install a rear-facing child restraint in the front seat of a model equipped with a supplemental air bag ON/OFF switch unless you first turn OFF the air bag. An inflating supplemental air bag could seriously injure or kill your child. See “Child restraints” later in this section for details.

## SUPPLEMENTAL AIR BAG SYSTEM



ARS1186

The driver supplemental air bag is located in the center of the steering wheel. The passenger supplemental air bag is located in the top right section of the instrument panel.

These systems are designed to meet optional certification requirements under U.S. regula-

tions. They are also permitted in Canada. The optional certification allows air bags to be designed to inflate somewhat less forcefully than previously. **However, all of the information, cautions and warnings in this manual still apply and must be followed.**

The supplemental air bag system is designed to inflate in higher severity frontal collisions, although it may inflate if the forces in another type of collision are similar to those of a higher severity frontal impact. It may not inflate in certain frontal collisions. Vehicle damage (or lack of it) is not always an indication of proper supplemental air bag system operation.

The front passenger supplemental air bag is equipped with an ON/OFF switch (except crew cab models which have a rear seat for child restraint installation). Because no rear seat exists where a rear facing child restraint can be secured in other models, the switch is designed to turn OFF the passenger supplemental air bag so that a rear facing child restraint can be used in the front passenger seat. See "Passenger supplemental air bag ON/OFF switch and light" later in this section for details.

When the supplemental air bag inflates, a fairly loud noise may be heard, followed by the release of smoke. This smoke is not harmful and does not indicate a fire, but care should be taken not to intentionally inhale it, as it may cause irritation and choking. Those with a history of a breathing condition should get fresh air promptly.

The supplemental air bags, along with the use

of the seat belts, helps to cushion the impact force on the face and chest of the occupant. It can help save lives and reduce serious injuries. However, an inflating supplemental air bag may cause facial abrasions or other injuries. Supplemental air bags do not provide restraint to the lower body.

Seat belts should be correctly worn and the driver and passenger seated upright as far as practical away from the steering wheel or instrument panel. Since the supplemental air bags inflate quickly in order to help protect the front occupants, the force of the supplemental air bags inflating can increase the risk of injury if the occupant is too close to or against the supplemental air bag module during inflation.

The supplemental air bags deflate quickly after a collision.

**The supplemental air bags operate only when the ignition switch is in the ON or START position.**

** WARNING**

- **Do not place any objects on the steering wheel pad or on the instrument panel. Also, do not place any**

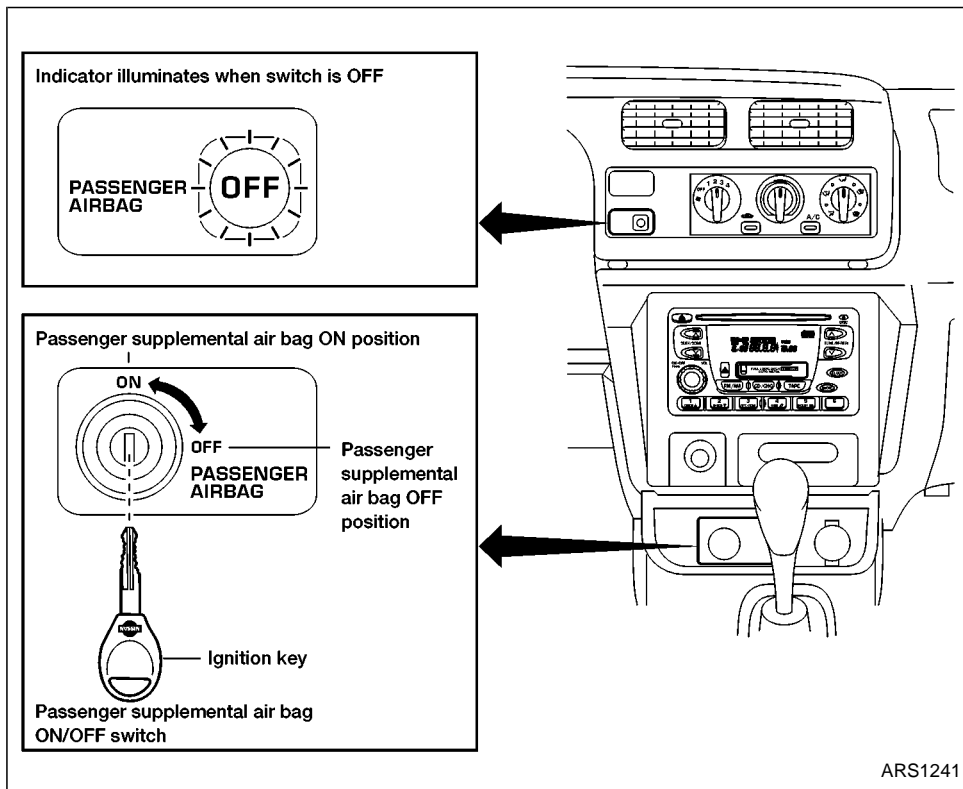
**objects between any occupant and the steering wheel or on the instrument panel. Such objects may become dangerous projectiles, and cause injury if the supplemental air bag inflates.**

- **Right after inflation, several supplemental air bag system components will be hot. Do not touch them; you may severely burn yourself.**
- **No unauthorized changes should be made to any components or wiring of the supplemental air bag system. This is to prevent accidental inflation of the supplemental air bag or damage to the supplemental air bag system.**
- **Do not make unauthorized changes to your vehicle's electrical system, suspension system or front end structure. This could affect proper operation of the supplemental air bag system.**
- **Tampering with the supplemental air bag system may result in serious personal injury. Tampering includes changes to the steering wheel and the instrument panel assembly, by placing material over the steering wheel**

**pad and above the instrument panel, or by installing additional trim material around the supplemental air bag system.**

- **Work around and on the supplemental air bag system should be done by an authorized NISSAN dealer. Installation of electrical equipment should also be done by an authorized NISSAN dealer. The yellow Supplemental Restraint System (SRS) wiring should not be modified or disconnected. Unauthorized electrical test equipment and probing devices should not be used on the supplemental air bag system.**
- **SRS wiring harnesses are covered with yellow insulation either just before the harness connectors or over the complete harness for easy identification.**

When selling your vehicle, we request that you inform the buyer about the supplemental air bag system and guide the buyer to the appropriate sections in this owner's manual.



## PASSENGER SUPPLEMENTAL AIR BAG ON/OFF SWITCH AND LIGHT (except Crew Cab models)

**⚠ WARNING**

**Air bags and seat belts are designed to work as a unit. Do not switch the air bag OFF unless you meet federal government criteria. Switching off the air bag may increase the risk of serious or fatal injuries in a collision where the air bag would have inflated.**

In rare instances, some passengers are exposed to serious injury risks from inflating air bags, especially if not properly restrained. The U.S. and Canadian federal governments recognize other limited circumstances in which an air bag could reduce safety. The passenger air bag ON/OFF switch is, therefore, allowed in models without full rear seats. Because the overall benefits of air bags are great, in most situations air bags should not be switched off unless special government criteria exist.

The passenger air bag ON/OFF switch is located in the center of the instrument panel, near the ashtray. It can be used to

turn the passenger supplemental air bag OFF.

The ON/OFF switch should ONLY be used to turn the passenger supplemental air bag OFF when the following government criteria exists:

- Infants (less than 1 year old) in rear facing child restraints MUST be placed in the front passenger seat.
- Children ages 1-12 years MUST be placed in the front passenger seat.
- The passenger has a medical condition which, according to a physician, causes the air bag to pose a special risk and makes the potential harm from the air-bag greater than the potential harm from turning off the air bag.

Seat belts and child restraints should always be properly used. See “Precautions on seat belt usage” and “Child restraints” later in this section for details.

To turn the passenger supplemental air bag OFF, insert the ignition key in the passenger supplemental air bag ON/OFF switch and turn the switch clockwise to the OFF position. Then remove the key. When the ignition is turned to the ON or START position the

passenger air bag OFF indicator light will illuminate to indicate the air bag is OFF. To turn the passenger supplemental air bag ON, insert the ignition key in the passenger supplemental air bag ON/OFF switch and turn the switch counter clockwise to the ON position. Then remove the key. When the ignition is turned to the ON or START position the passenger air bag OFF indicator light will illuminate for 7 seconds to indicate the system is working properly and then go out to indicate that the passenger supplemental air bag is ON.

When the switch is turned to the ON position, the passenger supplemental air bag is enabled and could inflate in a frontal collision. When the switch is turned to the OFF position, the passenger supplemental air bag is disabled and will not inflate in a frontal collision. The passenger supplemental air bag OFF indicator light on the instrument panel illuminates when the passenger supplemental air bag ON/OFF switch is turned to the OFF position. The driver’s side supplemental air bag always remains enabled and is not affected by the passenger supplemental air bag ON/OFF switch.

The passenger supplemental air bag light,

displaying OFF in the center of the instrument panel, monitors the position of the passenger supplemental air bag ON/OFF switch. When the ignition key is in the ON or START position, the light illuminates for about 7 seconds and then turns off if the air bag is ON/OFF switch is in the ON position, or stays on if the passenger supplemental air bag ON/OFF switch is in the OFF position.

#### **WARNING**

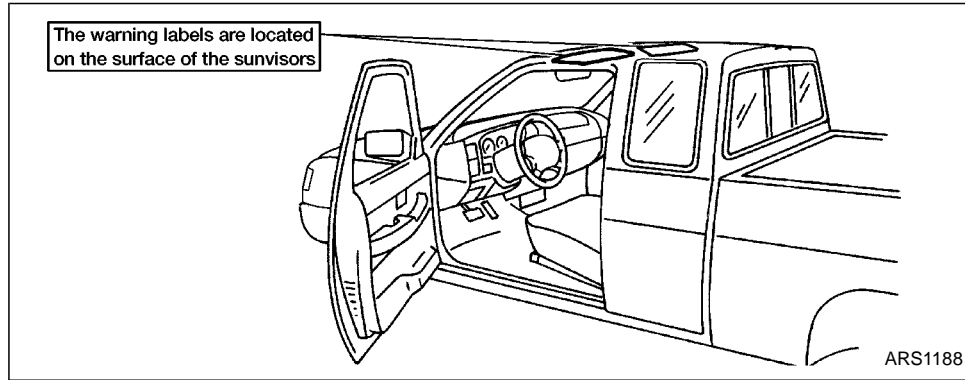
- **Do not switch the airbag OFF unless you meet the federal government criteria outlined previously. This vehicle (except Crew Cab models) is equipped with seat belts with a “load limiter” feature. The seat belts are designed to work with the air bags to reduce the risk of injury in a collision. The seat belts are designed to release additional belt webbing during some collisions to reduce the concentration of force on the occupant’s chest area. In a collision with the airbag turned OFF, the seat belt may allow the occupant enough forward movement to incur serious or fatal injuries.**



- Keep the passenger supplemental air bag ON/OFF switch turned ON unless a rear-facing child restraint must be used in the front seat, if children ages 1-12 must be placed in the front seat, or if the passenger has a medical condition, which, according to a physician, causes the air bag to pose a special risk of harm (the federal government criteria). If the switch is OFF, the air bag will not inflate in a collision as designed and the extra protection provided by the air bag may be lost.
- Be sure to turn the passenger supplemental air bag ON/OFF switch OFF when using a rear facing child restraint in the front passenger seat. If it is not OFF, the air bag may inflate in a collision. The force of the rapidly inflating air bag could cause serious injury or kill the child in the child restraint. Children ages 1-12 and persons with special medical conditions may also be at risk from an inflating air bag.

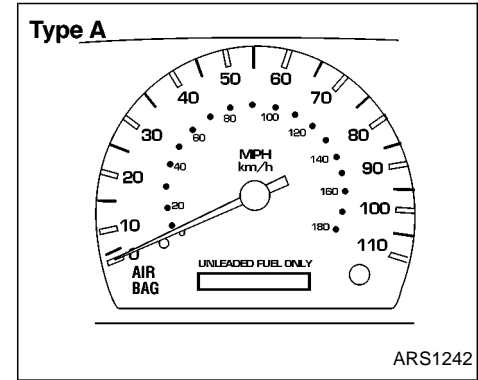
- If the supplemental air bag warning light located in the instrument panel next to the speedometer comes on when the passenger supplemental air bag OFF light is also illuminated, something may be wrong with the air bag system. Infants, children ages 1-12 or persons with special medical conditions should not use the front passenger seat until the system is checked by your NISSAN dealer.

## WARNING LABELS



Warning labels about the supplemental air bag system are placed in the vehicle as shown in the illustration.

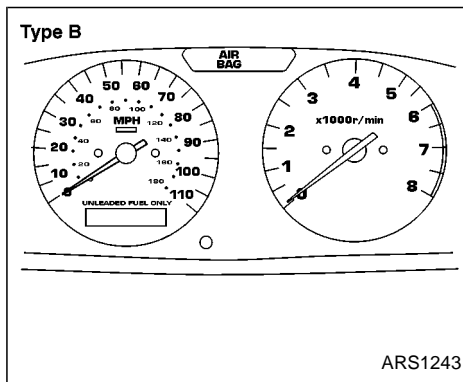
## SUPPLEMENTAL AIR BAG WARNING LIGHT



The supplemental air bag warning light, displaying **AIR BAG** in the instrument panel, monitors the circuits of the supplemental air bag system. The circuits monitored by the supplemental air bag warning light are the diagnosis sensor unit, the supplemental air bag modules and all related wiring.

When the ignition key is in the ON or START position, the supplemental air bag warning light illuminates for about 7 seconds and then turns off. This means the system is operational.

If any of the following system conditions occur, the supplemental air bag system



needs servicing and should be taken to an authorized NISSAN dealer:

1. The supplemental air bag warning light does not come on and remain on for 7 seconds and then go off as described.
2. The supplemental air bag warning light flashes intermittently or remains on.
3. The supplemental air bag warning light does not come on at all.

Under these conditions, the Supplemental Restraint System (supplemental air bag system) may not function properly. It must be checked and repaired.

### **⚠ WARNING**

**If the supplemental air bag warning light is on, it could mean that the supplemental air bag system will not operate in an accident.**

### Repair and replacement procedure

The supplemental air bag modules are designed to inflate on a one-time-only basis. As a reminder, unless it is damaged, the supplemental air bag warning light remains illuminated after inflation has occurred. Repair and replacement of the supplemental air bag system should be done only by an authorized NISSAN dealer.

**To ensure long-term functioning, the supplemental air bag system must be inspected 10 years after the date of manufacture noted on the certification label located on the driver side door jamb pillar.**

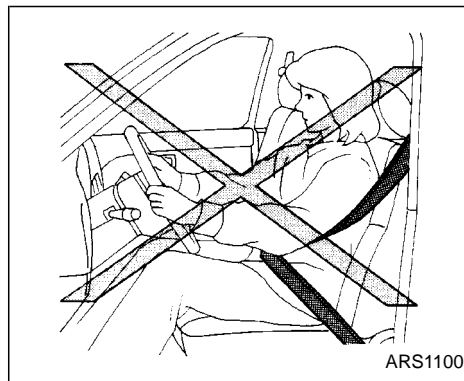
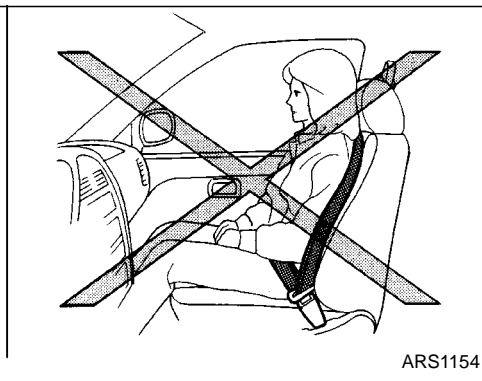
When maintenance work is required on the vehicle, the supplemental air bag system and related parts should be pointed out to the person conducting the maintenance. The ignition key must always be in the LOCK

position when working under the hood or inside the vehicle.

### **⚠ WARNING**

- **Once the supplemental air bag inflates, the supplemental air bag module will not function again and should be replaced by an authorized NISSAN dealer. The supplemental air bag module cannot be repaired.**
- **The supplemental air bag system should be inspected by an authorized NISSAN dealer if there is any damage to the front end portion of the vehicle, or replaced if the supplemental air bag has inflated.**
- **If you need to dispose of the supplemental air bag or scrap the vehicle, contact an authorized NISSAN dealer. Correct supplemental air bag disposal procedures are set forth in the appropriate NISSAN Service Manual. Incorrect disposal procedures could cause personal injury.**

## SEAT BELTS



### PRECAUTIONS ON SEAT BELT USAGE

Your chances of being injured in an accident and/or the severity of injury may be greatly reduced if you are wearing your seat belt and it is properly adjusted. NISSAN strongly encourages you and all of your passengers to buckle up every time you drive, even if your seating position includes a supplemental air bag.

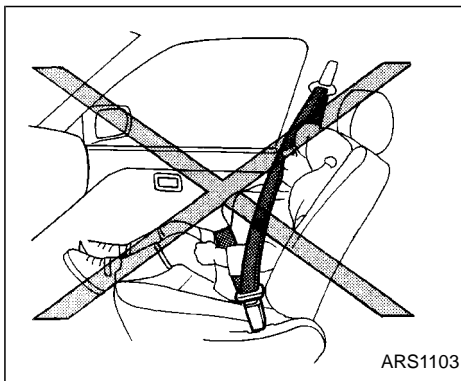
**Most U.S. States and Canadian provinces or territories specify that seat belts be worn at all times when a vehicle is being driven.**

#### WARNING

- **Every person who drives or rides in this vehicle should use a seat belt at all times. Children should be properly restrained and, if appropriate, in child restraints.**
- **The seat belt should be properly adjusted to a snug fit. Failure to do so may reduce the effectiveness of the entire restraint system and increase the chance or severity of injury in an accident. Serious injury or death can occur if the seat belt is not worn**

properly.

- **Always route the shoulder belt over your shoulder and across your chest. Never run the belt behind your back, under your arm or across your neck. The belt should be away from your face and neck, but not falling off your shoulder.**
- **Position the lap belt as low and snug as possible AROUND THE HIPS, NOT THE WAIST. A lap belt worn too high could increase the risk of internal injuries in an accident.**



- Be sure the seat belt tongue is securely fastened to the proper buckle.
- Do not wear the seat belt inside out or twisted. Doing so may reduce its effectiveness.
- Do not allow more than one person to use the same seat belt.
- Never carry more people in the vehicle than there are seat belts.

- Never allow anyone to ride in the cargo area or in a slide-in camper or other type cargo area cover while the vehicle is in motion. These areas do not contain seat belts. It is not designed for passengers. They could be injured in sudden braking or a collision.
- If the seat belt warning light glows continuously while the ignition is turned ON with all doors closed and all seat belts fastened, it may indicate a malfunction in the system. Have the system checked by an authorized NISSAN dealer.
- All seat belt assemblies including retractors and attaching hardware should be inspected by an authorized NISSAN dealer after any collision. NISSAN recommends that all seat belt assemblies in use during a collision be replaced unless the collision was minor and the belts show no damage and continue to operate properly. Seat belt assemblies not in use during a collision should also be inspected and replaced if either damage or improper operation is noted.

## Pre-tensioner seat belt system (For front seats)

### WARNING

- The pre-tensioner seat belt cannot be reused after activation. It must be replaced together with the retractor and buckle as a unit.
- If the vehicle becomes involved in a frontal collision but the pre-tensioner is not activated, be sure to have the pre-tensioner system checked and, if necessary, replaced by your NISSAN dealer.
- No unauthorized changes should be made to any components or wiring of the pre-tensioner seat belt system. This is to prevent accidental activation of the pre-tensioner seat belt or damage to the pre-tensioner seat belt operation. Tampering with the pre-tensioner seat belt system may result in serious personal injury.
- Work around and on the pre-tensioner system should be done by an authorized NISSAN dealer. Instal-

lation of electrical equipment should also be done by an authorized NISSAN dealer. Unauthorized electrical test equipment and probing devices should not be used on the pre-tensioner seat belt system.


- If you need to dispose of the pre-tensioner or scrap the vehicle, contact an authorized NISSAN dealer. Correct pre-tensioner disposal procedures are set forth in the appropriate NISSAN Service Manual. Incorrect disposal procedures could cause personal injury.

The front seat pre-tensioner seat belt system activates in conjunction with the supplemental air bag. Working with the seat belt retractor, it helps tighten the seat belt the instant the vehicle becomes involved in certain types of collisions.

The pre-tensioner is encased with the seat belt's retractor. These seat belts are used the same as conventional seat belts.

When the pre-tensioner seat belt activates, smoke is released and a loud noise may be heard. The smoke is not harmful, but care

should be taken not to intentionally inhale it as it may cause irritation and choking.

If any abnormality occurs in the pre-tensioner system, the seat belt warning light  will flash intermittently after the ignition key is turned to the ON or START position. In this case, the pre-tensioner seat belt will not function properly.

When selling your vehicle, we request that you inform the buyer about the pre-tensioner seat belt system and guide the buyer to the appropriate sections in this Owner's Manual.

## CHILD SAFETY

**Children need adults to help protect them. They need to be properly restrained.**

**The proper restraint depends on the child's size. Generally, infants up to about 1 year and less than 20 pounds (9 kg) should be placed in rear facing child restraints. Front facing child restraints are available for children who outgrow rear facing child restraints.**

## WARNING

- Be sure to turn the passenger supplemental air bag ON/OFF switch OFF when using a rear facing child restraint in the front passenger seat in models so equipped. If it is not OFF, the air bag may inflate in a collision. The force of the rapidly inflating air bag could cause serious injury or kill the child in the child restraint. See "Passenger supplemental air bag ON/OFF switch and light" earlier in this section.
- In crew cab models, never install a rear facing child restraint in the front passenger seat. An inflating supplemental air bag could seriously injure or kill your child. A rear facing child restraint must only be used in the rear seat.
- Do not install a child restraint in the jump seats (King Cab model). These seats are not suitable for child restraint installation.
- Do not install a child restraint in the center position of the front bench-seat if the type of restraint used

interferes with operation of the driving controls.

- **Infants and children need special protection. The vehicle's seat belts may not fit them properly. The shoulder belt may come too close to the face or neck. The lap belt may not fit over their small hip bones. In an accident, an improperly fitting seat belt could cause serious or fatal injury. Always use appropriate child restraints.**

All U.S. states and Canadian provinces or territories require the use of approved child restraints for infants and small children. See "Child restraints" later in this section for more information.

In addition, there are many types of child restraints available for larger children which should be used for maximum protection.

**NISSAN recommends that all pre-teen children be restrained in the rear seat if possible. According to accident statistics, children are safer when properly restrained in the rear seat than in the front seat.**

**This is especially important because**

**your vehicle has a supplemental restraint system (Supplemental air bag system) for the front passenger (For precautions, see "Supplemental restraint system" earlier in this section). Also, see "Passenger air bag ON/OFF switch and light" earlier in this section.**

### Infants and small children

NISSAN recommends that infants and small children be seated in child restraints that comply with Federal Motor Vehicle Safety Standards or Canadian Motor Vehicle Safety Standards. You should choose a child restraint which fits your vehicle and always follow the manufacturer's instructions for installation and use.

### Larger children

Children who are too large for child restraints should be seated and restrained by the seat belts which are provided.

If the child's seating position has a shoulder belt that fits close to the face or neck, the use of a booster seat (commercially available) may help overcome this. The booster seat should raise the child so the shoulder belt is properly positioned across the top, middle portion of the shoulder and the lap

belt is low on the hips. The booster seat should fit the vehicle seat and have a label certifying that it complies with Federal Motor Vehicle Safety Standards or Canadian Motor Vehicle Safety Standards. Once the child has grown so the shoulder belt is no longer on or near the face and neck, use the shoulder belt without the booster seat.

### **WARNING**

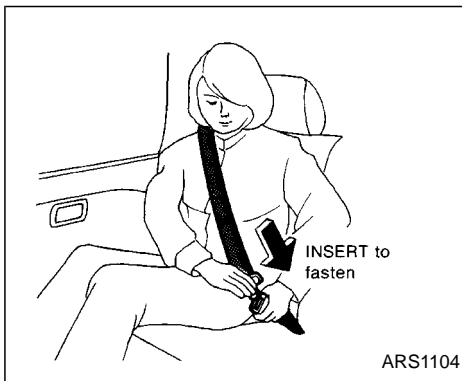
**Never let a child stand or kneel on any seat and do not allow a child in the cargo areas while the vehicle is moving. The child could be seriously injured or killed in an accident or sudden stop.**

### PREGNANT WOMEN

NISSAN recommends that pregnant women use seat belts. Contact your doctor for specific recommendations. The lap belt should be worn snug and positioned as low as possible around the hips, not the waist.

### INJURED PERSONS

NISSAN recommends that injured persons use seat belts, depending on the injury. Check with your doctor for specific recommendations.



### THREE-POINT TYPE WITH RETRACTOR

#### **⚠ WARNING**

- Every person who drives or rides in this vehicle should use a seat belt at all times. Children should be properly restrained and, if appropriate, in a child restraint.
- Do not ride in a moving vehicle when the seatback is reclined. This can be dangerous. The shoulder belt will not be against your body. In an accident

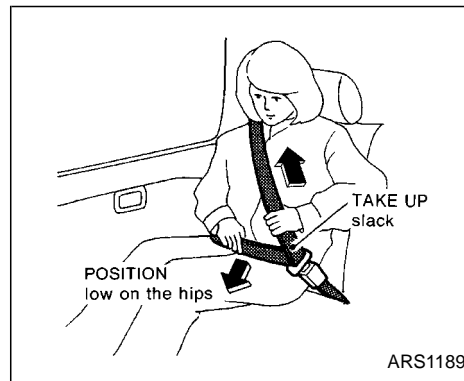
you could be thrown into it and receive neck or other serious injuries. You could also slide under the lap belt and receive serious internal injuries.

- For most effective protection when the vehicle is in motion, the seat should be upright. Always sit well back in the seat and adjust the seat belt properly.

### Fastening the seat belt

1. Adjust the seat.
2. Slowly pull the seat belt out of the retractor and insert the tongue into the buckle until you hear and feel the latch engage.

**The retractor is designed to lock during a sudden stop or on impact. A slow pulling motion permits the seat belt to move, and allows you some freedom of movement in the seat.**



3. Position the lap belt portion **low on the hips** as shown.
4. Pull the shoulder belt portion toward the retractor to take up extra slack.

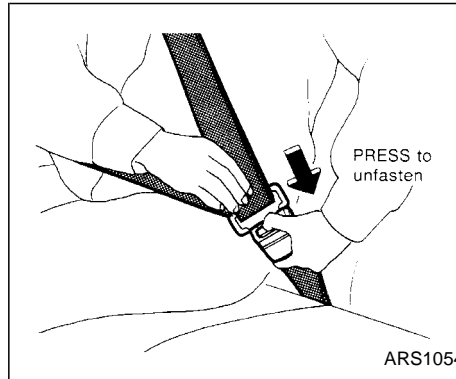
The front passenger seat belt has a cinching mechanism for child restraint installation. It is referred to as the automatic locking mode.

When the cinching mechanism is activated the seat belt cannot be extracted again until the seat belt tongue is detached from the buckle and the seat belt is fully retracted.



See “Child restraints ” later in this section for more information.

**The automatic locking mode should be used only for child restraint installation. During normal seat belt use by a passenger, the locking mode should not be activated. If it is activated it may cause uncomfortable seat belt tension.**



### Unfastening the seat belt

To unfasten the seat belt, press the button on the buckle. The seat belt automatically retracts.

### Checking seat belt operation

Seat belt retractors are designed to lock seat belt movement by two separate methods:

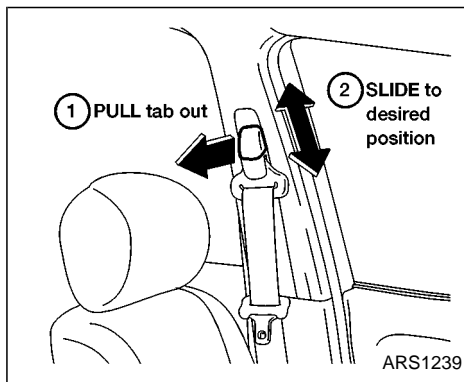
- 1) When the seat belt is pulled quickly from the retractor.
- 2) When the vehicle slows down rapidly.

To increase your confidence in the seat

belts, check the operation as follows.

- Grasp the shoulder belt and pull quickly forward. The retractor should lock and restrict further belt movement.

If the retractor does not lock during this check, or if you have any questions about seat belt operation, see an authorized NISSAN dealer.

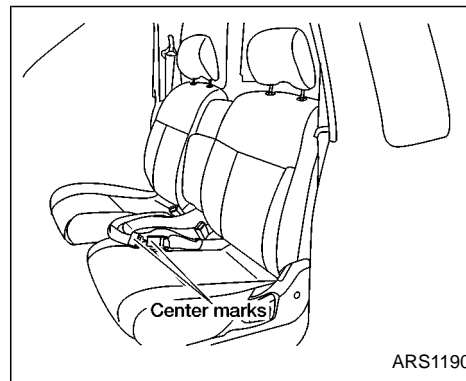


### Shoulder belt height adjustment (front seats only)

The shoulder belt anchor height should be adjusted to the position best for you. (See "Precautions on seat belt usage" earlier in this section.) To adjust, pull out on the adjustment button and move the shoulder belt anchor to the desired position, so the belt passes over the center of the shoulder. The belt should be away from your face and neck, but not falling off of your shoulder. Release the adjustment button to lock the shoulder belt anchor into position.

### **⚠ WARNING**

- After adjustment, release the adjustment button and try to move the shoulder belt anchor up and down to make sure it is securely fixed in position.
- The shoulder belt anchor height should be adjusted to the position best for you. Failure to do so may reduce the effectiveness of the entire restraint system and increase the chance or severity of injury in an accident.



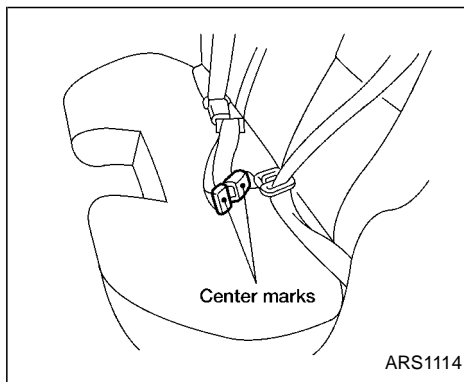
### TWO-POINT TYPE WITHOUT RE-TRACTOR (Center of 60/40 bench seat)

### **⚠ WARNING**

- Do not install a child restraint in the center position of the front seat if the type of restraint used interferes with operation of the driving controls.
- Do not sit on the armrest. The armrest is not a seating surface. Using the armrest as a seating surface may cause serious injury in an accident.

On 60/40 bench seat equipped models, the center seat belt buckle and tongue are identified by the word CENTER. The center seat belt tongue can only be fastened into the center seat belt buckle.

Pull down and latch the armrest/storage compartment lid and push up the arm rest assembly to the upright position.



### TWO-POINT TYPE WITHOUT RETRACTOR (Jump seat and center of bench seat)

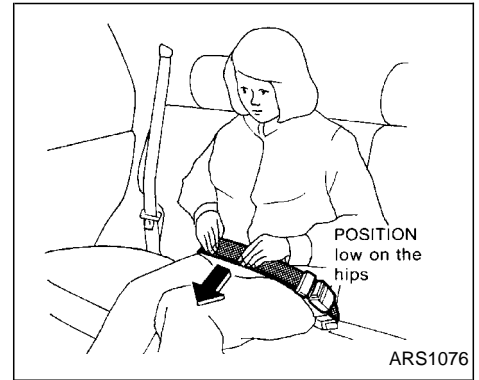
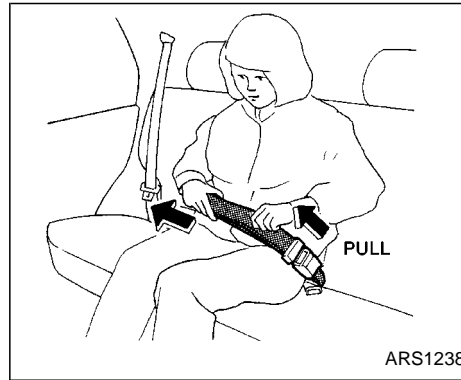
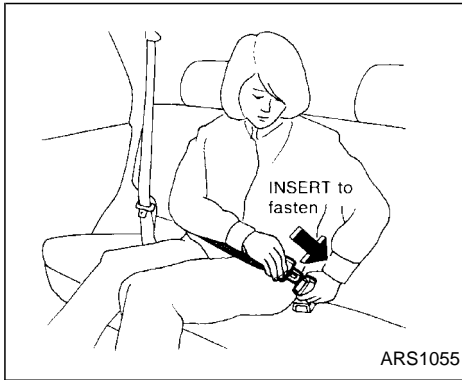
#### WARNING

- Do not install a child restraint in the jump seats (King Cab model). These seats are not suitable for child restraint installation.

- Do not install a child restraint in the center position of the front bench seat if the type of restraint used interferes with operation of the driving controls.
- Serious or fatal injury could occur.

### Selecting the correct set of seat belts

The center seat belt buckle and tongue are identified by the word CENTER. The center seat belt tongue can only be fastened into the center seat belt buckle.

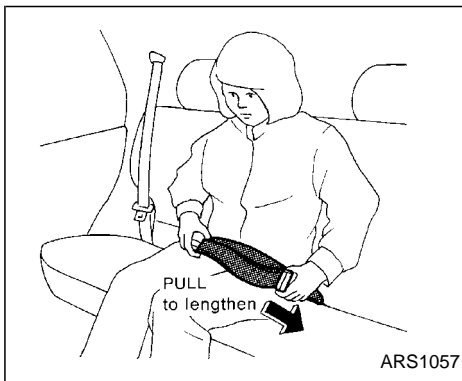


## Fastening the seat belt

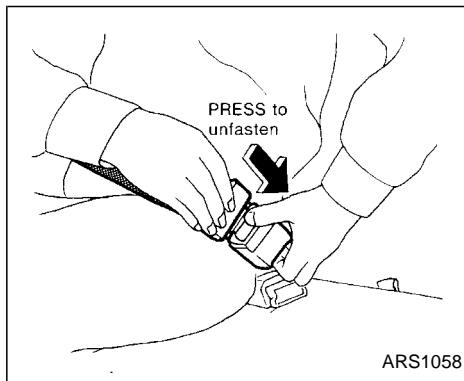
1. Insert the tongue into the buckle until you hear and feel the latch engage.

2. Tighten the belt by pulling the free end of the belt away from the tongue.

3. Position the lap belt **low on the hips** as illustrated.



4. Loosen the belt by holding the tongue at a right angle to the belt, then pull on the belt.



### Unfastening the belt

To unfasten the belt, press the button on the buckle.

## SEAT BELT EXTENDERS

If, because of body size or driving position, it is not possible to properly fit the lap-shoulder belt and fasten it, an extender is available which is compatible with the installed seat belts. The extender adds approximately 8 inches (200 mm) of length and may be used for either the driver or front passenger seating position. See an authorized NISSAN dealer for assistance if the extender is required.

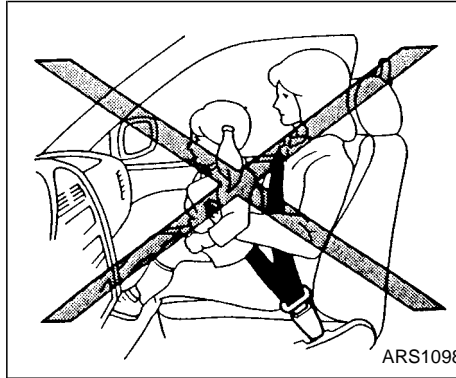
### **⚠ WARNING**

- Only NISSAN seat belt extenders, made by the same company which made the original equipment seat belts, should be used with NISSAN seat belts.
- Persons who can use the standard seat belt should not use an extender. Such unnecessary use could result in serious personal injury in the event of an accident.

## CHILD RESTRAINTS

### SEAT BELT MAINTENANCE

- **To clean the seat belt webbings**, apply a mild soap solution or any solution recommended for cleaning upholstery or carpet. Then wipe with a cloth and allow the seat belts to dry in the shade. Do not allow the seat belts to retract until they are completely dry.
- **If dirt builds up in the shoulder belt guide** of the seat belt anchors, the seat belts may retract slowly. Wipe the shoulder belt guide with a clean, dry cloth.
- **Periodically check to see that the seat belt and the metal components**, such as buckles, tongues, retractors, flexible wires and anchors, work properly. If loose parts, deterioration, cuts or other damage on the webbing is found, the entire seat belt assembly should be replaced.



#### **⚠ WARNING**

- **Infants and small children should always be placed in an appropriate child restraint while riding in the vehicle. Failure to use a child restraint can result in serious injury or death.**
- **Infants and small children should never be carried on your lap. It is not possible for even the strongest adult to resist the forces of a severe accident. The child could be crushed between the adult and parts of the vehicle. Also, do not put the same**

**seat belt around both your child and yourself.**

- **In crew cab models, never install a rear facing child restraint in the front passenger seat. An inflating supplemental air bag could seriously injure or kill your child. A rear facing child restraint must only be used in the rear seat.**
- **Never install a rear-facing child restraint in the front seat of a model equipped with a supplemental air bag ON/OFF switch unless you first turn OFF the air bag. An inflating air bag could seriously injure or kill your child. See “Passenger supplemental air bag ON/OFF switch and light” earlier in this section.**
- **An improperly installed child restraint could lead to serious injury or death in an accident.**
- **In general, child restraints are designed to be installed with a lap belt or the lap portion of a three-point type seat belt.**
- **Nissan recommends that the child restraint be installed in the rear seat.**

**According to accident statistics, children are safer when properly restrained in the rear seat than in the front seat.**

Child restraints for infants and small children of various sizes are offered by several manufacturers. When selecting any child restraint, keep the following points in mind:

- 1) Choose only a restraint with a label certifying that it complies with Federal Motor Vehicle Safety Standard 213 or Canadian Motor Vehicle Safety Standard 213.
- 2) Check the child restraint in your vehicle to be sure it is compatible with the vehicle's seat and seat belt system. Choose a child restraint that meets the guidelines of the Society of Automotive Engineers recommended practice J1819 for child restraint installation.
- 3) If the child restraint is compatible with your vehicle, place your child in the child restraint and check the various adjustments to be sure the child restraint is compatible with your child. Always follow all of the recommended procedures.

**All U.S. states and provinces of Canada require that infants and small children be**

**restrained in an approved child restraint at all times while the vehicle is being operated.**

** WARNING**

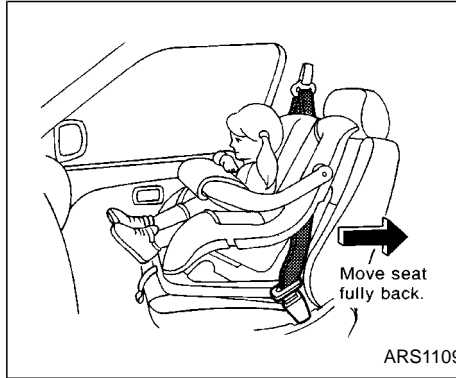
- **Do not install a child restraint in the jump seats (King Cab model). These seats are not suitable for child restraint installation.**
- **Do not install a child restraint in the center position of the front bench seat if the type of restraint used interferes with operation of the driving controls.**
- **Improper use of a child restraint can result in increased injuries for both the infant or child and other occupants in the vehicle.**
- **Follow all of the child restraint manufacturer's instructions for installation and use. When purchasing a child restraint, be sure to select one which will fit your child and vehicle. It may not be possible to properly install some types of child restraints in your vehicle.**

- **If the child restraint is not anchored properly, the risk of a child being injured in a collision or a sudden stop greatly increases.**
- **Adjustable seatbacks should be positioned to fit the child restraint, but as upright as possible.**
- **After attaching the child restraint, test it before you place the child in it. Tilt it from side to side. Try to tug it forward and check to see if the belt holds the restraint in place. If the restraint is not secure, tighten the belt as necessary or put the restraint in another seat and test it again.**
- **For a front facing child restraint, if the seat position where it is installed has a 3-point type lap/shoulder belt, check to make sure the shoulder belt does not go in front of the child's face or neck. If it does, put the shoulder belt behind the child restraint. If you must install a front-facing child restraint in the front seat, see "Installation on front passenger seat" later in this section for details.**

- When your child restraint is not in use, keep it secured with a seat belt to prevent it from being thrown around in case of a sudden stop or accident.

**⚠ CAUTION**

Remember that a child restraint left in a closed vehicle can become very hot. Check the seating surface and buckles before placing your child in the child restraint.



**FRONT FACING INSTALLATION  
ON FRONT PASSENGER SEAT  
(Three-point type with retractor)**

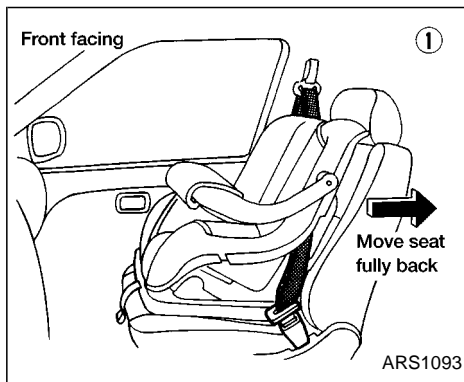
**⚠ WARNING**

- If so equipped, keep the passenger supplemental air bag ON/OFF switch turned ON unless a rear-facing child restraint is used in the front seat. If the switch is OFF, the air bag will not inflate in a collision as designed.

- NISSAN recommends that child restraints be installed in the rear seat. However, if you must install a forward-facing child restraint in the front passenger seat, move the passenger seat to the rear most position.
- Never install a rear facing child restraint in the front seating position of crew cab models. Install a rear facing child restraint in the rear seat only. The force of the inflating air bag could cause serious injury or kill the child in the child restraint.
- The three-point belt in your vehicle is equipped with a locking mode retractor which must be used when installing a child restraint.
- Failure to use the retractor's locking mode will result in the child restraint not being properly secured. The restraint could tip over or otherwise be unsecured and cause injury to the child in a sudden stop or collision.
- If the supplemental air bag warning light located in the instrument panel

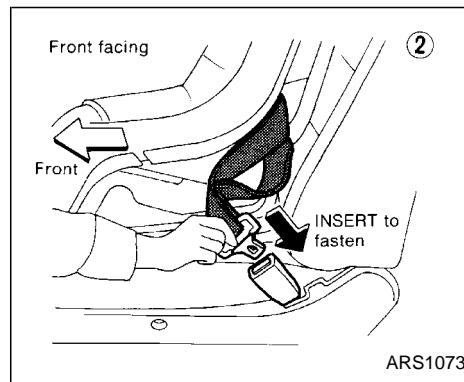


next to the speedometer comes on when the passenger supplemental air bag OFF indicator light is also illuminated, something may be wrong with the supplemental air bag system. Do not use a child restraint in the front passenger seat until the system is checked by your NISSAN dealer.

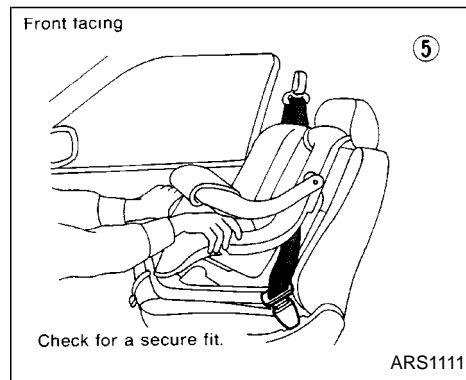
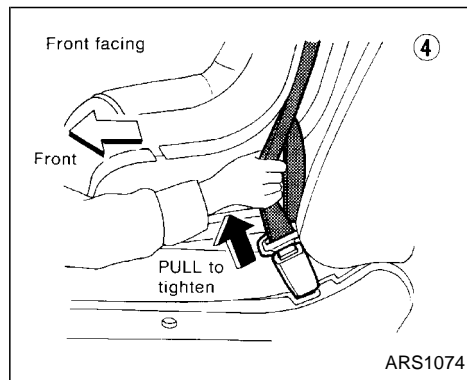
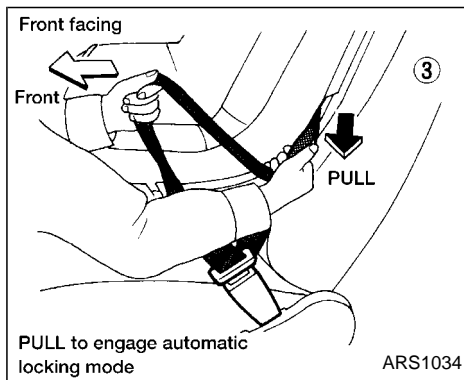


If you choose to install a child restraint in the front seat, follow these steps:

1. Position the child restraint on the front passenger seat. Move the seat to the rear most position. Always follow the restraint manufacturer's instructions.



2. Route the seat belt tongue through the child restraint and insert the belt tongue into the buckle until you hear and feel the latch engage. Be sure to follow the child restraint manufacturer's instructions for belt routing.



3. Pull on the shoulder belt until all of the belt is fully extended. At this time, the retractor is in the automatic locking mode (child restraint mode). It reverts back to emergency locking mode when the belt is fully retracted.

4. Allow the belt to retract. Pull up on the belt to remove any slack in the belt.

5. Before placing the child in the child restraint, use force to tilt the child restraint from side to side, and tug it forward to make sure it is securely held in place.

6. Check that the retractor is in the automatic locking mode by trying to pull more belt out of the retractor. If you cannot pull any more belt webbing out of the retractor, the retractor is in the automatic locking mode.

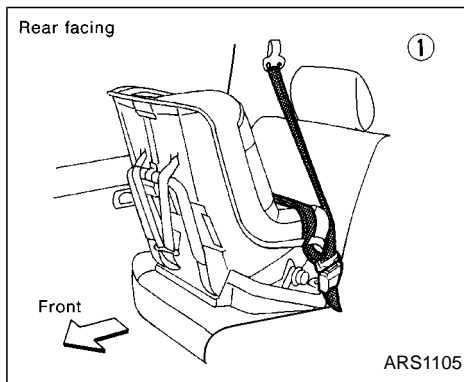
7. Check to make sure the child restraint is properly secured prior to each use. If the belt is not locked, repeat steps three through six.

After the child restraint is removed and the seat belt is fully retracted, the automatic locking mode (child restraint mode) is canceled.

## REAR FACING INSTALLATION ON FRONT PASSENGER SEAT (Three-point type with retractor, except Crew Cab models)

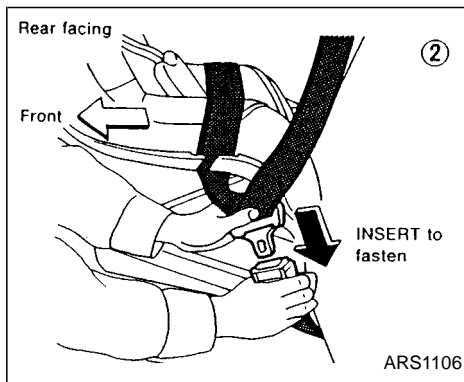
### WARNING

- Never install a rear facing child restraint in the front seating position of crew cab models. Install a rear facing child restraint in the rear seat only. The force of the inflating air bag could cause serious injury or kill the child in the child restraint.
  - If so equipped, keep the passenger supplemental air bag ON/OFF switch turned ON unless a rear-facing child restraint is used in the front seat. If the switch is OFF, the air bag will not inflate in a collision as designed.
  - Be sure to turn the passenger supplemental air bag ON/OFF switch OFF when using a rear facing child restraint in the front passenger seat. If it is not OFF, the air bag may inflate in a collision. The force of the rapidly inflating air bag could cause serious injury or kill the child in the child restraint. See “Passenger supplemental air bag ON/OFF switch and light” earlier in this section.
- If the supplemental air bag warning light located in the instrument panel next to the speedometer comes on when the passenger supplemental air bag OFF indicator light is also illuminated, something may be wrong with the air bag system. Do not use a child restraint in the front passenger seat until the system is checked by your NISSAN dealer.
  - The passenger three-point seat belt is equipped with an automatic locking mode retractor which must be used when installing a child restraint.
  - Failure to use the automatic locking mode will result in the child restraint not being properly secured. The restraint could tip over or otherwise be unsecured and cause injury to the child in a sudden stop or collision.

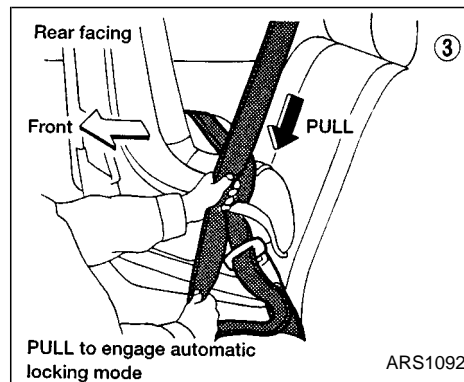


If you choose to install a child restraint, follow these steps:

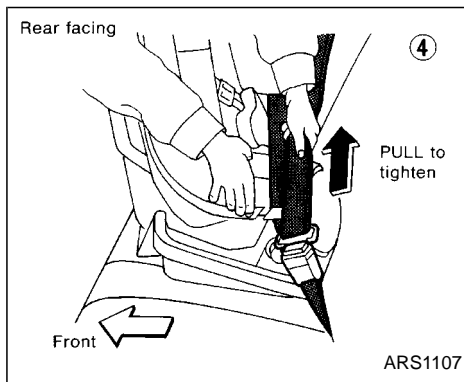
1. Position the child restraint on the front passenger seat. Always follow the restraint manufacturer's instructions.



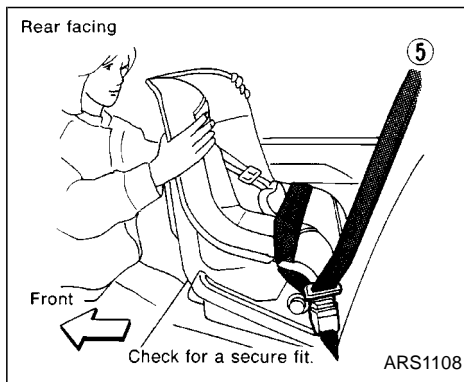
2. Route the seat belt tongue through the child restraint and insert the belt tongue into the buckle until you hear and feel the latch engage. Be sure to follow the child restraint manufacturer's instructions for belt routing.



3. Pull on the shoulder belt until all of the belt is fully extended. At this time, the belt retractor is in the automatic locking mode (child restraint mode). It reverts back to emergency locking mode when the belt is fully retracted.

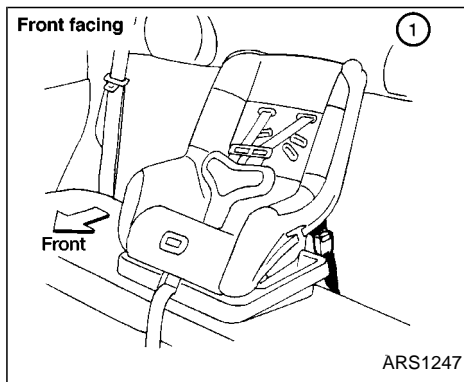


4. Allow the belt to retract. Pull up on the belt to remove any slack in the belt.



5. Before placing the child in the child restraint, use force to tilt the child restraint from side to side, and tug it forward to make sure it is securely held in place.
6. Ensure the retractor is in the automatic locking mode by trying to pull more belt out of the retractor. If you cannot pull any more belt webbing out of the retractor, the retractor is in the automatic locking mode.
7. Check to make sure the child restraint is properly secured prior to each use. If the lap belt is not locked, repeat steps three through six.

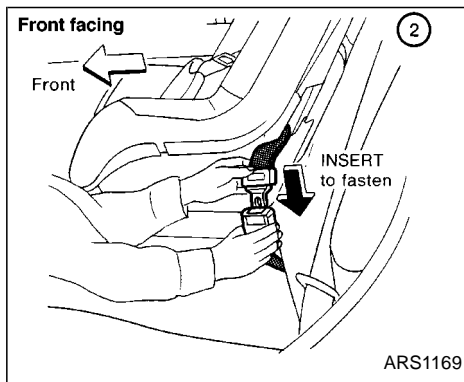
After the child restraint is removed and the seat belt is fully retracted the automatic locking mode (child restraint mode) is canceled.



### FRONT FACING INSTALLATION AT REAR BENCH SEAT CENTER POSITION (Crew Cab models only)

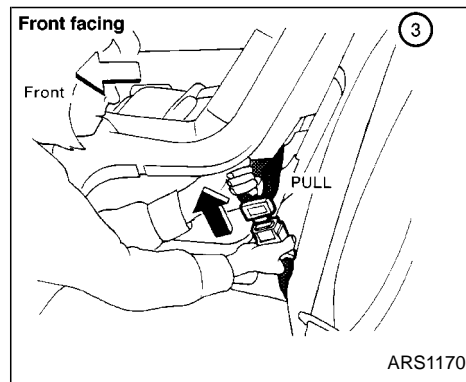
When you install a child restraint in the rear center seat, follow these steps:

1. Position the child restraint on the seat as illustrated. Always follow the restraint manufacturer's instructions.

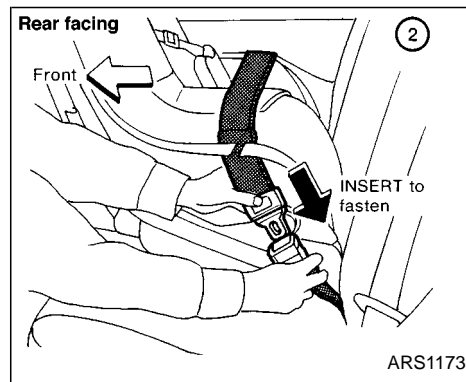
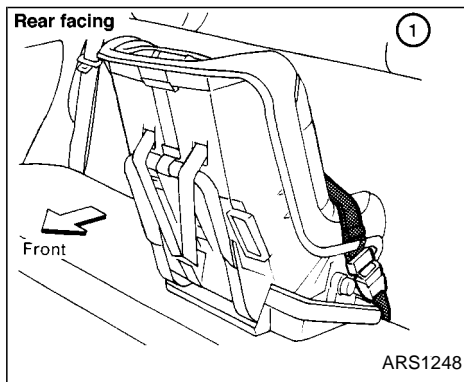
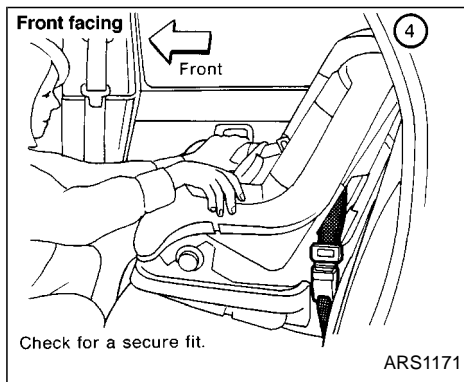


2. Route the seat belt tongue through the child restraint and insert it into the buckle until you hear and feel the latch engage.

Be sure to follow the child restraint manufacturer's instructions for belt routing.



3. Remove all slack in the lap belt for a very tight fit by pulling forcefully on the lap belt adjustment.



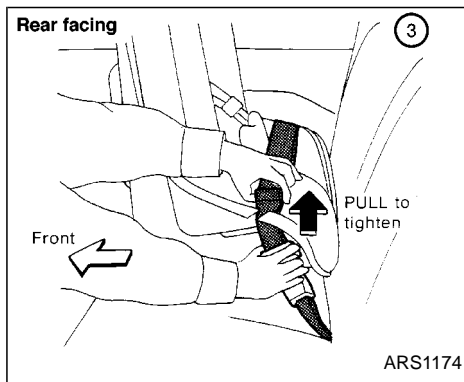
4. Before placing the child in the child restraint, use force to tilt the child restraint from side to side, and tug it forward to make sure it is securely in place.
5. If it is not secure, try to tighten the belt again, or put the restraint in another seat.
6. Check to make sure the child restraint is properly secured prior to each use.

### REAR FACING INSTALLATION AT REAR BENCH SEAT CENTER POSITION (Crew Cab models only)

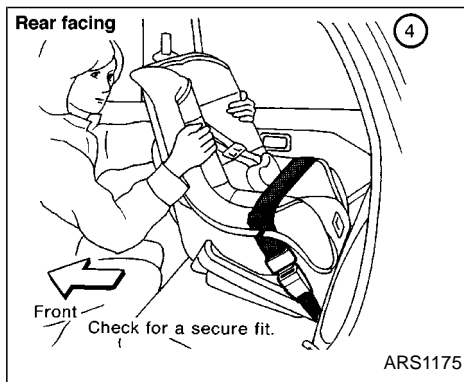
When you install a child restraint in the rear center seat, follow these steps:

1. Position the child restraint on the seat as illustrated. Always follow the restraint manufacturer's instructions.

2. Route the seat belt tongue through the child restraint and insert it into the buckle until you hear and feel the latch engage. Be sure to follow the child restraint manufacturer's instructions for belt routing.



3. Remove all slack in the lap belt for a very tight fit by pulling forcefully on the lap belt adjustment.



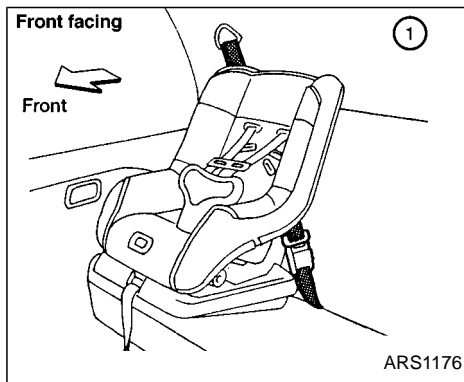
4. Before placing the child in the child restraint, use force to tilt the child restraint from side to side, and tug it forward to make sure it is securely in place.
5. If it is not secure, try to tighten the belt again, or put the restraint in another seat.
6. Check to make sure the child restraint is properly secured prior to each use.

## FRONT FACING INSTALLATION AT REAR BENCH SEAT OUT- BOARD POSITIONS (Crew Cab models only)

### **⚠ WARNING**

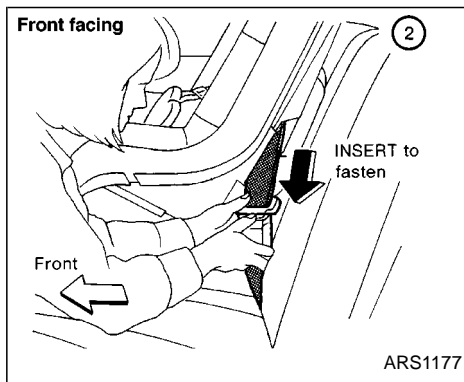
- The three-point belt in your vehicle is equipped with an automatic locking mode retractor which must be used when installing a child restraint.
- Failure to use the retractor's locking mode will result in the child restraint not being properly secured. The restraint could tip over or otherwise be unsecured and cause injury to the child in a sudden stop or collision.





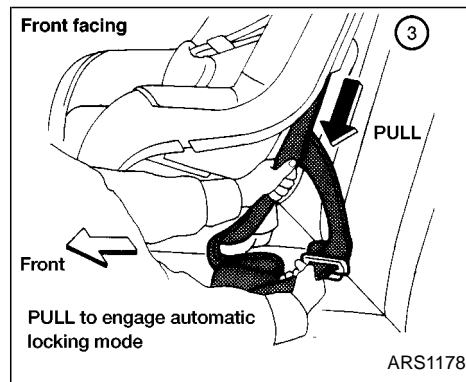
When you install a child restraint in a rear outboard seat, follow these steps:

1. Position the child restraint on the seat. Always follow the restraint manufacturer's instructions.

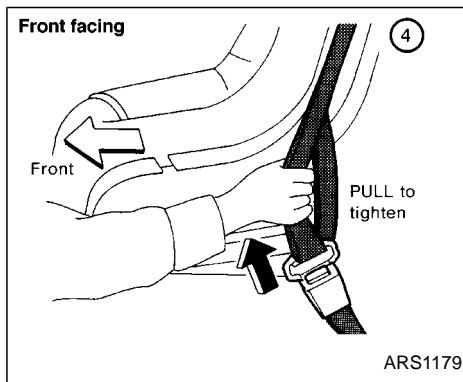


2. Route the seat belt tongue through the child restraint and insert it into the buckle until you hear and feel the latch engage.

Be sure to follow the child restraint manufacturer's instructions for belt routing.



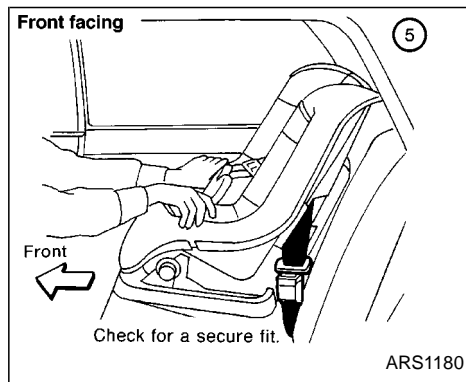
3. Pull on the shoulder belt until all of the belt is fully extended. At this time, the belt retractor is in the automatic locking mode (child restraint mode). It reverts back to emergency locking mode when the belt is fully retracted.



4. Allow the belt to retract. Pull up on the shoulder belt to remove any slack in the belt.

**If necessary to ensure the child restraint is secure, pull the shoulder belt through the seat belt tongue beyond the stitching in the belt.**

After the seat belt is fully retracted and the child restraint is removed from the seat, the stitching on the shoulder belt can be pulled back through the seat belt tongue. The stitching locates the seat belt tongue near the top of the seat back for easy access for rear seat passengers.



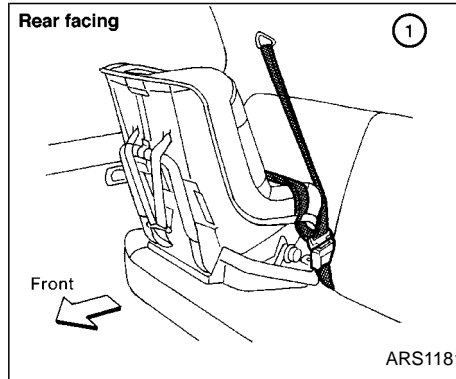
5. Before placing the child in the child restraint, use force to tilt the child restraint from side to side, and tug it forward to make sure it is securely held in place.
6. Check that the retractor is in the automatic locking mode by trying to pull more belt out of the retractor. If you cannot pull any more belt webbing out of the retractor, the retractor is in the automatic locking mode.
7. Check to make sure the child restraint is properly secured prior to each use. If the belt is not locked, repeat steps 3 through 6.

After the child restraint is removed and the seat belt is fully retracted the automatic locking mode (child restraint mode) is canceled.

## REAR FACING INSTALLATION AT REAR BENCH SEAT OUTBOARD POSITIONS (Crew Cab models only)

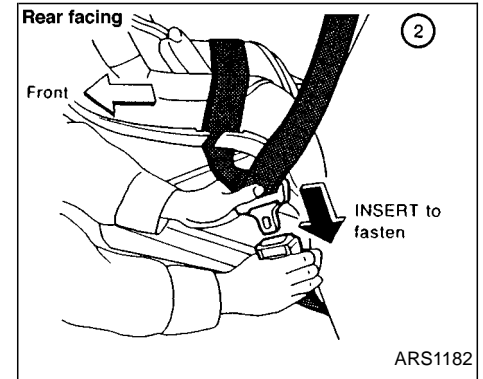
### WARNING

- The three-point belt in your vehicle is equipped with an automatic locking mode retractor which must be used when installing a child restraint.
- Failure to use the retractor's locking mode will result in the child restraint not being properly secured. The seat could tip over or otherwise be unsecured and cause injury to the child in a sudden stop or collision.



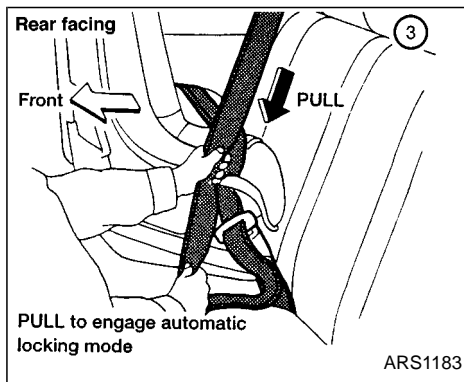
When you install a child restraint in a rear outboard seat, follow these steps:

1. Position the child restraint on the seat. Always follow the restraint manufacturer's instructions.

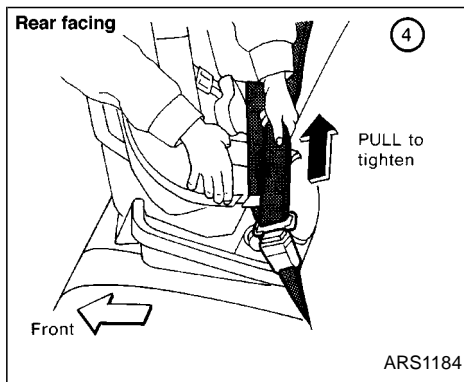


2. Route the seat belt tongue through the child restraint and insert it into the buckle until you hear and feel it engage.

Be sure to follow the child restraint manufacturer's instructions for belt routing.



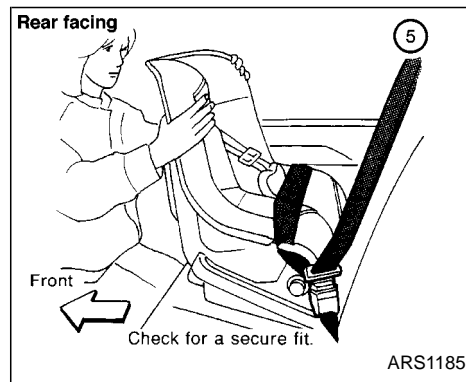
3. Pull on the shoulder belt until all of the belt is fully extended. At this time, the belt retractor is in the automatic locking mode (child restraint mode). It reverts back to emergency locking mode when the belt is fully retracted.



4. Allow the belt to retract. Pull up on the shoulder belt to remove any slack in the belt.

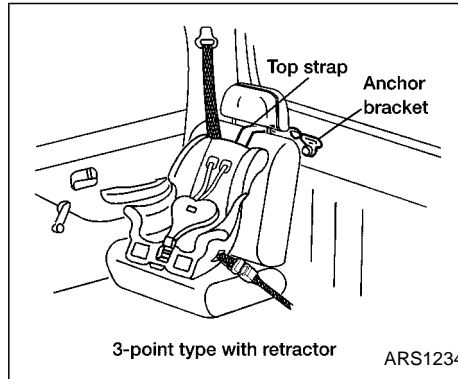
**If necessary to ensure the child restraint is secure, pull the shoulder belt through the seat belt tongue beyond the stitching in the belt.**

After the seat belt is fully retracted and the child restraint is removed from the seat, the stitching on the shoulder belt can be pulled back through the seat belt tongue. This stitching locates the seat belt tongue near the top of the seat back for easy access for rear seat passengers.



5. Before placing the child in the child restraint, use force to tilt the child restraint from side to side, and tug it forward to make sure it is securely held in place.
6. Check that the retractor is in the automatic locking mode by trying to pull more belt out of the retractor. If you cannot pull any more belt webbing out of the retractor, the retractor is in the automatic locking mode.
7. Check to make sure the child restraint is properly secured prior to each use. If the belt is not locked, repeat steps 3 through 6.

After the child restraint is removed and the seat belt is fully retracted the automatic locking mode (child restraint mode) is canceled.



## TOP STRAP CHILD RESTRAINT

If your child restraint has a top strap, install the anchor bracket to a provided anchor point. Anchor bracket hardware must be installed. The top strap anchor bracket hardware is available through an authorized NISSAN dealer.

**Part # 88894-89900\***

\*: Always check with the Parts Department at an authorized NISSAN dealer for the latest parts information.

Secure the child restraint with the three-point seat belt or with the center lap belt

(rear seat of Crew Cab models) and latch the top strap hook onto the appropriate anchor bracket. Make sure the shoulder belt is placed between the seat back and child restraint. To install the anchor bracket, a metric bolt of the dimensions listed below must be used.

**Bolt diameter: 8.0 mm**

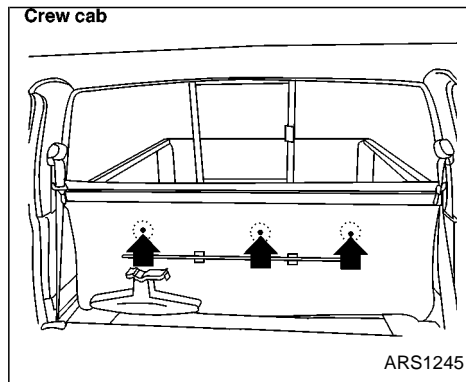
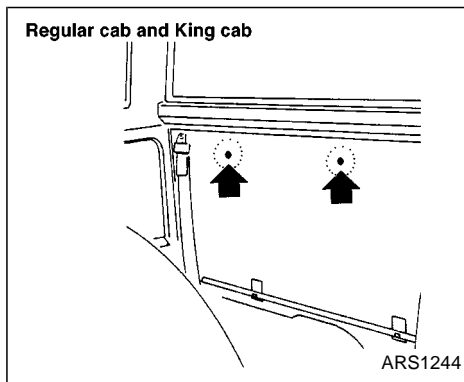
**Bolt length: at least 1.18 in (30 mm)**

**Thread pitch: 1.25 mm**

Secure the top strap to the attaching bolt which provides the straightest installation of the top strap.

### **⚠ WARNING**

- **Do not install a child restraint in the center position of the front bench seat if the type of restraint used interferes with operation of the driving controls.**
- **Child restraint anchor points are designed to withstand only those loads imposed by correctly fitted child restraints. Under no circumstances is it to be used for adult seat belts or harnesses.**



### Anchor point locations

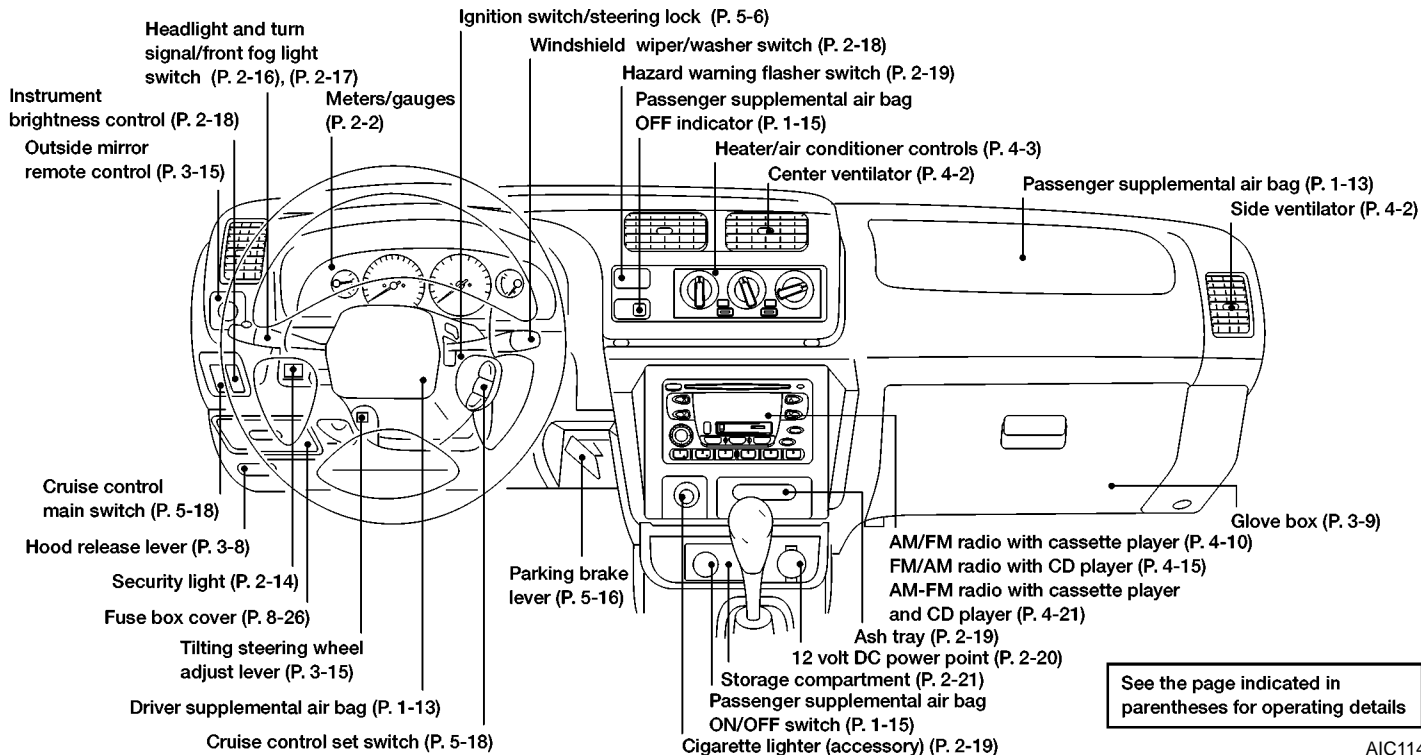
Anchor points are located under the rear window. The back panel carpet is perforated to allow access to the anchor points.

An authorized NISSAN dealer can assist you with the installation of your child restraint.

## 2 Instruments and controls

Meters and gauges .....	2-2	Cigarette lighter (accessory) and ash tray .....	2-19
Speedometer and odometer .....	2-3	Power point (if so equipped) .....	2-20
Tachometer .....	2-5	Storage compartment (Crew Cab models only) .....	2-21
Engine coolant temperature gauge .....	2-5	Cup holder (if so equipped) .....	2-21
Fuel gauge .....	2-6	Dome light and cargo light .....	2-22
Warning/indicator lights and chimes .....	2-8	Map lights (if so equipped) .....	2-23
Theft warning (if so equipped) .....	2-14	Manual windows .....	2-23
Headlight and turn signal switch .....	2-16	Power windows (if so equipped) .....	2-24
Daytime running light system (Canada only) .....	2-16	Automatic power window switch .....	2-25
Front fog light switch (if so equipped) .....	2-17	Rear sliding window (if so equipped) .....	2-25
Windshield wiper and washer switch .....	2-17	Sunroof (if so equipped) .....	2-25
Instrument brightness control .....	2-18		
Hazard warning flasher switch .....	2-19		

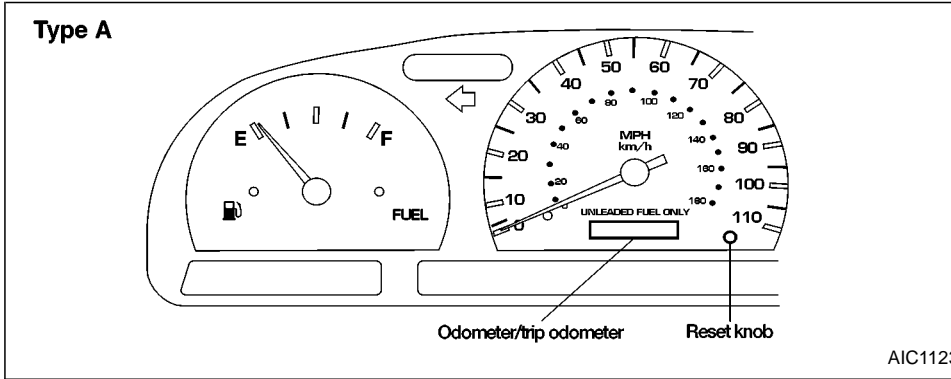
# METERS AND GAUGES



AIC1149



# SPEEDOMETER AND ODOMETER

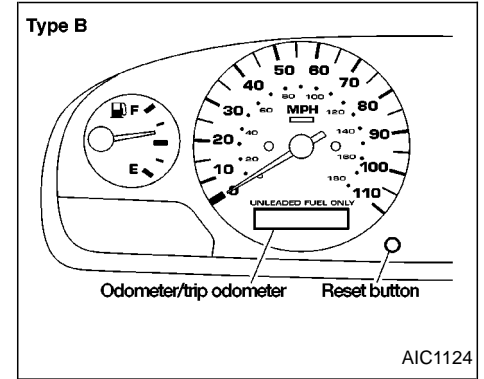


## Speedometer

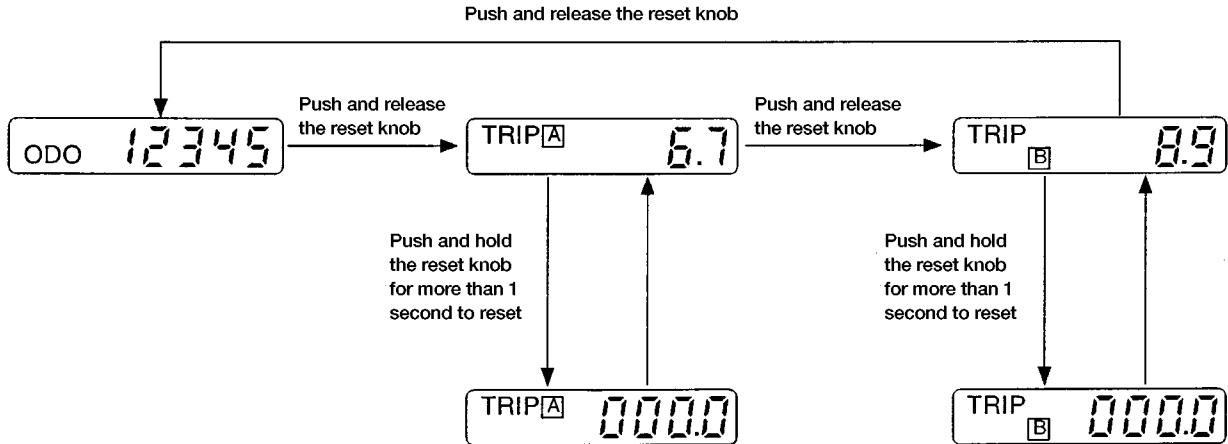
The speedometer indicates vehicle speed in miles per hour (MPH) and kilometers per hour (Km/H).

## Odometer

The odometer records the total distance the vehicle has been driven.



The display is changed by pushing the reset button.



AIC1120

## Trip odometer

The trip odometer records the distance of individual trips. Before each trip reset the trip odometer.

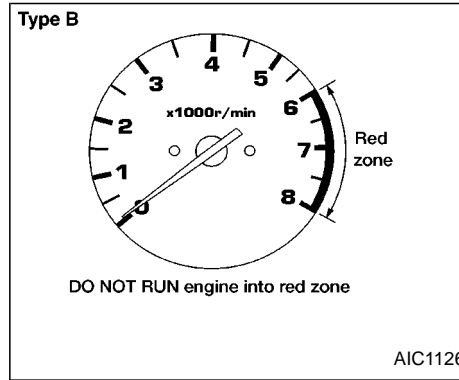
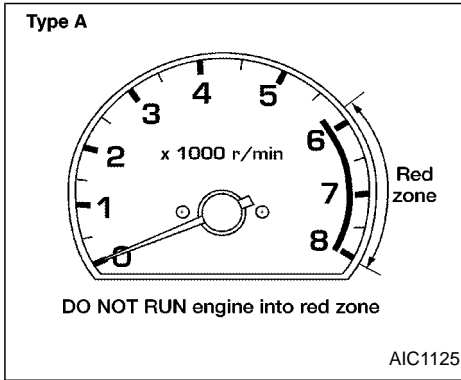
Push the reset knob to change the display

as follows:

ODO (odometer) → TRIP A → TRIP B → ODO.

Push and hold the reset knob for more than 1 second to reset either trip odometer.

## TACHOMETER

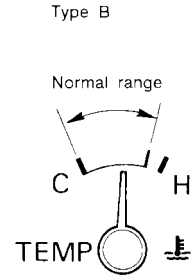
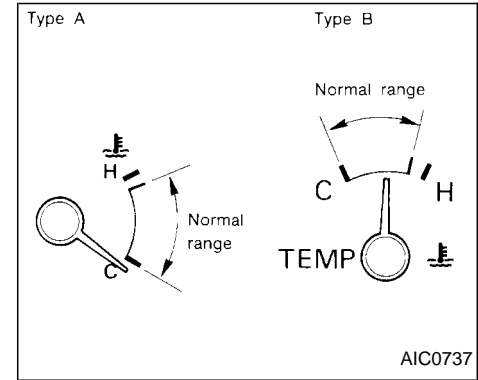


The tachometer indicates engine speed in revolutions per minute (r/min).

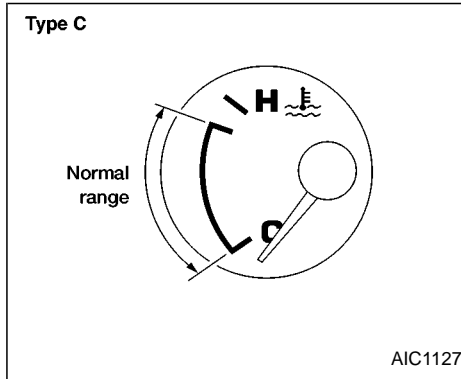
### CAUTION

When engine speed approaches the red zone, shift to a higher gear. Operating the engine in the red zone may cause serious engine damage.

## ENGINE COOLANT TEMPERATURE GAUGE

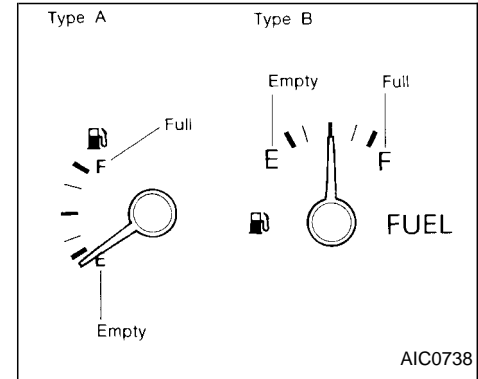
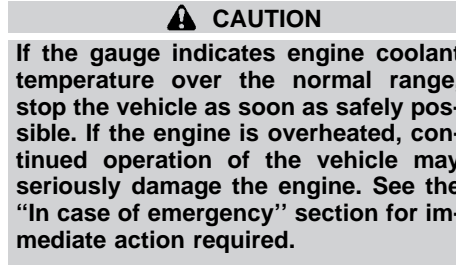


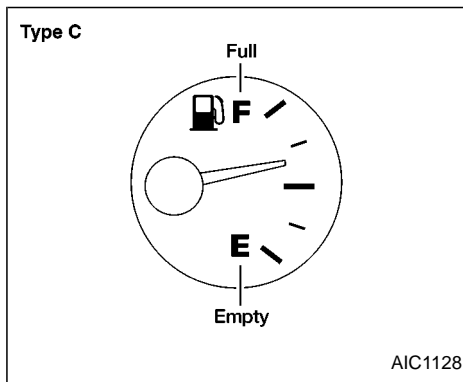
## FUEL GAUGE



The gauge indicates the engine coolant temperature.

The engine coolant temperature varies with the outside air temperature and driving conditions.





The gauge indicates the APPROXIMATE fuel level in the tank.

The gauge may move slightly during braking, turning, acceleration, or going up or down hills.

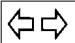








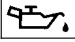


The gauge needle is designed to hold its position when the ignition key is turned OFF.

**Refill the fuel tank before the gauge registers E (Empty).**

**CAUTION**

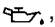



- If the vehicle runs out of fuel, the malfunction indicator lamp (MIL) may come on. Refuel as soon as possible. After a few driving trips, the lamp should turn off. If the lamp remains on after a few driving trips, have the vehicle inspected by an authorized NISSAN dealer.
- For additional information, see the "Malfunction indicator lamp (MIL)" later in this section.


## WARNING/INDICATOR LIGHTS AND CHIMES

 Turn signal/hazard indicator lights	 Low fuel warning light	<b>ABS</b> or  Anti-lock brake warning light
<b>BRAKE</b> or  Brake warning light	 Low washer fluid warning light (Canada only)	<b>AIR BAG</b> Supplemental air bag warning light
 High beam indicator light	 4-wheel drive indicator light ( <b>4x4</b> model)	 Passenger supplemental air bag OFF indicator light (except crew cab models)
 Seat belt reminder light and chime	<b>CRUISE</b> Cruise indicator light (if so equipped)	<b>ATP</b> Automatic transmission park warning light ( <b>4x4</b> model)
 Engine oil pressure warning light	<b>O/D OFF</b> Overdrive off indicator light (automatic transmission only)	<b>A/T OIL TEMP</b> Automatic transmission oil temperature warning light ( <b>4x4</b> model)
 Charge warning light	<b>SERVICE ENGINE SOON</b> Malfunction indicator lamp (MIL)	 Door open warning light (if so equipped)


### Checking bulbs

Apply the parking brake and turn the ignition key to ON without starting the engine. The following lights come on:

, , **SERVICE ENGINE SOON**, **BRAKE** Or , ,

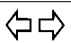
If the driver side seat belt is fastened the  light will not come on.

The following lights come on briefly and then go off:

**ABS** Or , **AIR BAG**

If any light fails to come on, it may indicate a burned-out bulb or an open circuit in the electrical system. Have the system repaired promptly.

A/T OIL  
TEMP

 Turn signal/hazard indicator lights

These lights flash when the turn signal switch or hazard switch is turned on.

 Brake warning light


This light functions for both the parking brake and the foot brake systems.

When the ignition key is in the ON position, the light comes on when the parking brake is applied and also warns of a low brake fluid level. If the light comes on while the engine is running with the parking brake not applied, stop the vehicle and perform the following:

1. Check the brake fluid level. Add brake fluid as necessary. See “Brake and clutch fluid” in the “Do-it-yourself” section of this manual.
2. If the brake fluid level is correct, have the warning system checked by an authorized NISSAN dealer.


 **WARNING**

- **Your brake system may not be working properly if the warning light is on. Driving could be dangerous. If you judge it to be safe, drive carefully to the nearest service station for repairs. Otherwise have your vehicle towed because driving it could be dangerous.**
- **Pressing the brake pedal with the engine stopped and/or low brake fluid level may increase your stopping distance and require greater pedal effort as well as pedal travel.**
- **If the brake fluid level is below the MINIMUM or MIN mark on the brake fluid reservoir, do not drive until the brake system has been checked at an authorized NISSAN dealer.**


 High beam indicator light

This blue light comes on when the headlight high beams are on and goes out when the low beams are selected.

The high beam indicator light also comes on when the passing signal is activated.

 Seat belt warning light and chime

The light and chime remind you to fasten your seat belts. If the driver's seat belt is NOT securely fastened when the ignition key is turned to ON or START, the chime sounds five times and the light illuminates.

 Supplemental air bag warning light

When the ignition key is in the ON or START position, the supplemental air bag warning light illuminates for about 7 seconds and then turns off. This means the system is operational.

If any of the following conditions occur, the supplemental restraint system needs servicing and your vehicle must be taken to an authorized NISSAN dealer:

1. The supplemental air bag warning light does not come on and remain on for 7 seconds and then go off as described above.
2. The supplemental air bag warning light flashes intermittently or remains on.

3. The supplemental air bag warning light does not come on at all.

Unless checked and repaired, the supplemental restraint system may not function properly. For additional details on the Supplemental restraint system (Supplemental air bag system), see the “Seats, restraints and supplemental air bag systems” section of this manual

 **WARNING**

**If the supplemental air bag warning light is on, it could mean that the supplemental air bag will not operate in an accident.**



Passenger supplemental air bag OFF indicator light (except Crew Cab models)

The passenger supplemental air bag is equipped with an ON/OFF switch. The switch is located in the center of the instrument panel, near the ashtray. When the switch is turned to the ON position, the passenger supplemental air bag is enabled and could inflate in a frontal collision. When the switch is turned to the OFF position, the

passenger supplemental air bag is disabled and will not inflate in a frontal collision. The passenger supplemental air bag OFF indicator light on the instrument panel illuminates when the passenger supplemental air bag ON/OFF switch is turned to the OFF position. The driver's side supplemental air bag always remains enabled and is not affected by the passenger supplemental air bag ON/OFF switch. The key for the passenger supplemental air bag ON/OFF switch should not be left in the switch. Remove the key after turning the switch in the desired position. Do not leave a key in the switch. See “Passenger supplemental air bag ON/OFF switch and light” in the “Seats, restraints and supplemental air bag systems” section for details.



Engine oil pressure warning light

This light warns of low engine oil pressure. If the light flickers or comes on during normal driving, pull off the road in a safe area, stop the engine **immediately** and call an authorized NISSAN dealer.

**The oil pressure warning light is not designed to indicate a low oil level. Use the dipstick to check the oil level.** See

“Engine oil” in the “Do-it-yourself” section of this manual.

 **CAUTION**

**Running the engine with the oil pressure warning light on could cause serious damage to the engine almost immediately. Turn off the engine as soon as it is safe to do so.**



Charge warning light

If this light comes on while the engine is running, it may indicate a problem with the charging system. Turn the engine off and check the generator belt. If the belt is loose, broken, missing or if the light remains on, see an authorized NISSAN dealer immediately.

 **CAUTION**

**Do not continue driving if the belt is loose, broken or missing.**



Low fuel warning light

This light comes on when the fuel in the tank is low. Refuel as soon as it is convenient, preferably before the fuel gauge reaches E (Empty).



There will be a small reserve of fuel remaining in the tank when the fuel gauge needle reaches E (Empty).



Door open warning light (if so equipped)

This light comes on when any of the doors are not closed securely while the ignition key is in the ON position.



Low washer fluid warning light (Canada only)

This light comes on when the washer tank fluid is at a low level. Add washer fluid as necessary. See “Window washer fluid” in the “Do-it-yourself” section of this manual.



4-wheel drive indicator light

This light comes on when the transfer shift control lever is in the 4H or 4L position.

#### WARNING

- When parking always make sure the transfer control lever is in the 2H, 4H or 4L position and the parking brake is applied.
- Failure to engage the transfer con-

trol lever in 2H, 4H or 4L could result in the vehicle moving unexpectedly, which could cause serious personal injury or property damage.

**ATP** Automatic transmission park warning light ( model)

This light indicates that the automatic transmission parking function is not engaged. If the transfer control lever is not secured in any drive position while the automatic transmission selector lever is in the P (Park) position, the transmission will disengage and the vehicle may move unexpectedly.

Shift the transfer control lever into the 2H, 4H, or 4L position when the warning light comes on.

- When parking, always make sure that the transfer control lever is in 2H, 4H, or 4L and the parking brake is set.
- If the ATP light is ON, this indicates that the automatic transmission P (Park) position will not function and the transfer lever is in the N (Neutral) position.
- Failure to engage the transfer control lever in 2H, 4H, or 4L could result in the

vehicle moving unexpectedly, resulting in serious personal injury or property damage.

#### WARNING

- If the ATP light is ON, this indicates that the automatic transmission P (Park) position will not function and the transfer control shift lever is in the N (Neutral) position.



Automatic transmission oil temperature warning light ( model)

This light comes on when the automatic transmission oil temperature is too high. If the light comes on while driving, reduce the vehicle speed as soon as safely possible until the light turns off.

#### CAUTION

Continued vehicle operation when the A/T oil temperature warning light is on may damage the automatic transmission.

## Cruise indicator light (if so equipped)

This light comes on while the vehicle speed is controlled by the cruise control system. If the CRUISE indicator blinks, have the system checked by an authorized NISSAN dealer.

## or Anti-lock brake warning light

If the light comes on while the engine is running, it may indicate a potential problem with the anti-lock brake system. Have the system checked by an authorized NISSAN dealer.

If an abnormality occurs in the system, the anti-lock function ceases but the ordinary brakes continue to operate normally.

**If the light comes on while you are driving, contact an authorized NISSAN dealer for repair.**

## Overdrive off indicator light (automatic transmission only)

This light comes on when the overdrive switch is pushed to the OFF position.

## Key reminder chime

The chime sounds when the driver's door is opened and the key is left in the ignition switch. Take the ignition key when you leave the vehicle.

## Light reminder chime

A chime sounds if the driver's door is opened with the headlight switch on unless the ignition key is in the ON position. Turn the headlight switch off when you leave the vehicle.


## Brake pad wear warning

The disc brake pads have audible wear warnings. When a brake pad requires replacement, it makes a high pitched scraping sound when the vehicle is in motion whether or not the brake pedal is depressed. Have the brakes checked as soon as possible if the warning sound is heard.

## Malfunction indicator lamp (MIL)



If the malfunction indicator lamp comes on steady or blinks while the engine is running, it may indicate a potential emission control problem.

The malfunction indicator lamp may also come on steady if the fuel filler cap is loose or missing, or if the vehicle runs out of fuel. Check to make sure the fuel filler cap is installed and closed tightly, and that the vehicle has at least three gallons of fuel in the fuel tank.

After a few driving trips, the  lamp should turn off if no other potential emission control system problem exists.

## Operation

The malfunction indicator lamp will come on in one of two ways:

- Malfunction indicator lamp on steady – An emission control system malfunction has been detected. Check the fuel filler cap. If the fuel filler cap is loose or missing, tighten or install the cap and continue to drive the vehicle. The  lamp should turn off after a few driving trips. If the  lamp does not turn off after a few driving trips, have the vehicle inspected by an authorized NISSAN dealer. You do not need to have your vehicle towed to the dealer.
- Malfunction indicator light blinking – An engine misfire has been detected which

may damage the emission control system. To reduce or avoid emission control system damage:

- do not drive at speeds above 45 MPH (72 km/h).
- avoid hard acceleration or deceleration.
- avoid steep uphill grades.
- if possible, reduce the amount of cargo being hauled or towed.

The malfunction indicator lamp may stop blinking and come on steady.

Have the vehicle inspected by an authorized NISSAN dealer. You do not need to have your vehicle towed to the dealer.

 **CAUTION**


**Continued vehicle operation without having the emission control system checked and repaired as necessary could lead to poor driveability, reduced fuel economy, and possible damage to the emission control system.**

## THEFT WARNING (if so equipped)




The theft warning system provides visual and audio alarm signals if parts of the vehicle are disturbed.

### How to activate the theft warning system

1. Close all windows.
2. Remove the key from the ignition switch.
3. Close the hood and all doors.
4. Push the  button on the multi-remote controller. All doors lock. The hazard lights flash twice and the horn

beeps once to indicate all doors are locked.

- When the  button is pushed with all doors locked, the hazard lights flash twice and the horn beeps once as a reminder that the doors are already locked. The horn may or may not beep once. Refer to “silencing the horn beep feature” later in this section.

### The system can be activated even if the windows are open.

5. Confirm that the SECURITY indicator light comes on. The SECURITY light glows for about 30 seconds and then begins to flash once every three seconds. The system is now activated. If, during this 30 second time period, a door is unlocked by the key or the multi-remote controller, or the ignition key is turned to ACC or ON, the system will not activate.
- **If the key is turned slowly when locking the door, the system may not activate. Furthermore, if the key is turned excessively to the unlock position, the system may be deactivated when the key is removed. If the indicator light fails to glow for 30 seconds, unlock the door once and lock it again.**

- **Even when the driver and/or passengers are in the vehicle, the system will activate with doors, and hood locked and with the ignition key in the OFF position. Turn the ignition key to ACC or ON to turn the system off.**


The theft warning system is NOT activated if one of the following occurs:

- A door is unlocked or the ignition key is turned to the ACC or ON position during the 30 seconds in which the SECURITY light stays on.
- The SECURITY light blinks at a steady 1/2 second on - 1/2 second off rate (a door, or the hood is open and the key is not in the ACC or ON position). When the ignition key is turned to the ACC or ON position, the SECURITY light turns off.

### Theft warning system operation

The theft warning system emits the following alarm:


- The headlights blink and the horn sounds intermittently. In addition, the starter motor does not operate.
- The alarm automatically turns off after 2 to 3 minutes. However, the alarm reactivates

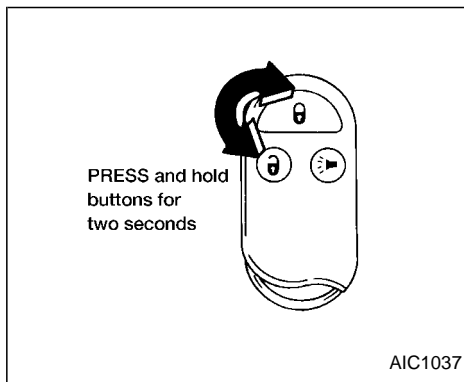
if the vehicle is tampered with again. The alarm can be shut off by unlocking a door with the key or by pressing the  button **on the multi-remote controller.**

The alarm is activated by:

- opening a door without using the key (even if the door is unlocked by releasing the inside lock knob).
- opening the hood.

### How to stop the alarm

The alarm stops only by unlocking a door with the key or by pressing the  button **on the multi-remote controller.** The alarm does not stop if the ignition switch is turned to ACC or ON position.





### Silencing the horn beep feature

If desired, the horn beep feature can be deactivated using the multi-remote controller.

**To deactivate:** Press and hold the  and  buttons **for at least two seconds.**

The hazard lights will quickly flash three times to confirm that the horn beep feature has been deactivated.

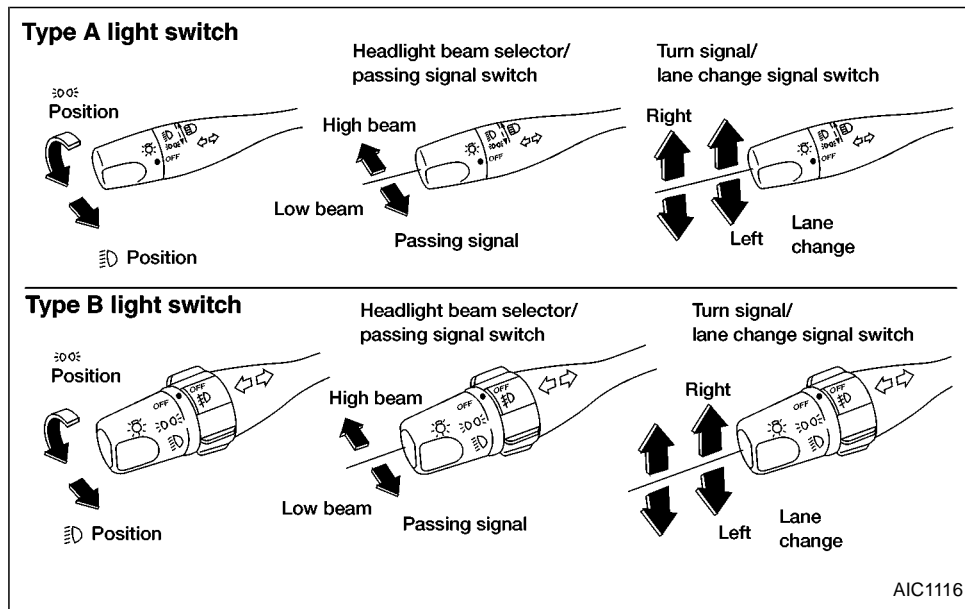
**To activate:** Press and hold the  and  buttons **for at least two seconds once more.**

The hazard lights will quickly flash three times to confirm that the horn beep feature has been reactivated.

Deactivating the horn beep feature does not silence the horn if the alarm is triggered.

**If the system does not operate as described above, have it checked by an authorized NISSAN dealer.**

# HEADLIGHT AND TURN SIGNAL SWITCH



## Lighting

Turn the switch to the position: The front combination, rear combination, license plate and instrument panel lights come on.

Turn the switch to the position: The headlights come on and all the other lights remain on.

To select the high beam function, push the lever forward. The high beam lights come on and the light illuminates. Pull it back

to select the low beam.

## DAYTIME RUNNING LIGHT SYSTEM (Canada only)

The headlights automatically illuminate at a reduced intensity when the engine is started with the parking brake released. The daytime running lights operate with the headlight switch in the OFF position or in the position. Turn the headlight switch to the position for full illumination when driving at night. If the parking brake is applied before the engine is started, the daytime running lights do not illuminate. The daytime running lights illuminate once the parking brake is released. The daytime running lights will remain on until the ignition switch is turned off.

### WARNING

**When the daytime running light system is active, tail lights on your vehicle are not on. It is necessary at dusk to turn on your headlights. Failure to do so could cause an accident injuring yourself and others.**

## FRONT FOG LIGHT SWITCH (if so equipped)

### Passing signal

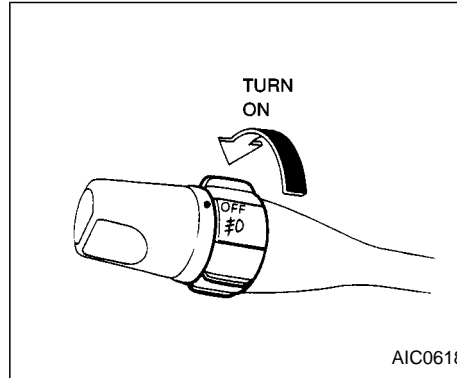
Pulling the lever toward you turns on the headlight high beam.

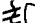
### Turn signal

Move the lever up or down to signal the turning direction. When the turn is completed, the turn signal cancels automatically.


### Lane change signal

To indicate a lane change, move the lever up or down to the point where the indicator light begins to flash, but the lever does not latch.

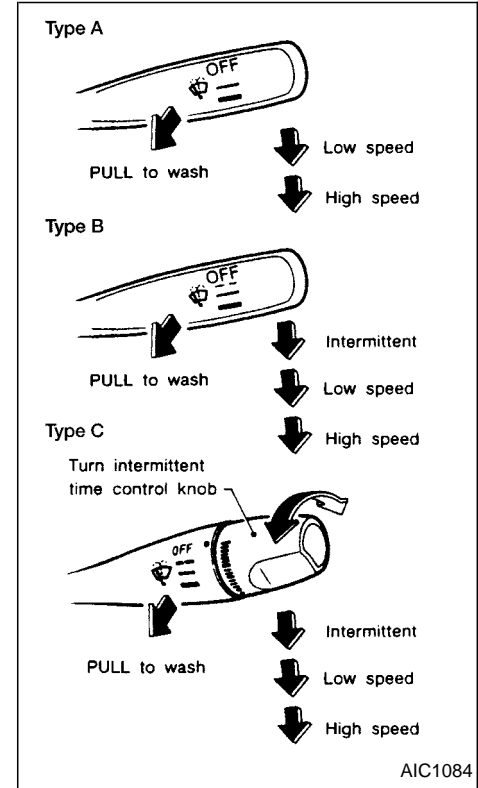


To turn the front fog lights on, rotate the switch to the  position.

To turn them off, rotate the switch to the OFF position.

The headlight switch must be in the  position (low beam headlights on) for the fog lights to operate. The fog lights automatically turn off whenever the high beam headlight function is selected

## WINDSHIELD WIPER AND WASHER SWITCH



## WINDSHIELD WIPER AND WASHER SWITCH

The ignition switch must be in the ON position for the wipers or washer to be activated. Push the lever down to operate the wipers, and pull the lever toward you to operate the washer. Operating the washer automatically cycles the wipers several times.

Intermittent wiper operation can be adjusted from 1 to 19 seconds by turning the time control knob (Type C only).

### ⚠ CAUTION

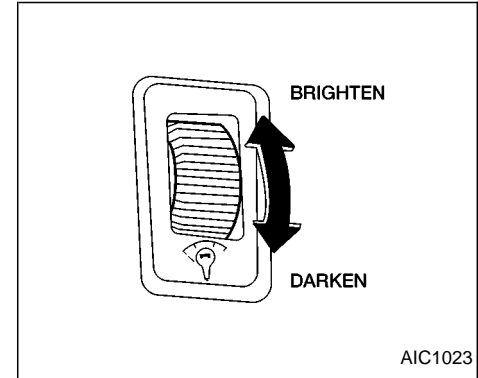
- Do not operate the washer continuously for more than 30 seconds.
- Do not operate the washer if the reservoir tank is empty.
- Do not fill the window washer reservoir tank with washer fluid concentrates at full strength. Some methyl alcohol based washer fluid concentrates may permanently stain the grille if spilled while filling the window washer reservoir tank.
- Pre-mix washer fluid concentrates with water to the manufacturer's recommended levels before pouring the fluid into the window washer reser-

**voir tank. Do not use the window washer reservoir tank to mix the washer fluid concentrate and water.**

### ⚠ WARNING

**In freezing temperatures the washer solution may freeze on the windshield and obscure your vision which may lead to an accident. Warm the windshield with the defroster before you wash the windshield.**

## INSTRUMENT BRIGHTNESS CONTROL

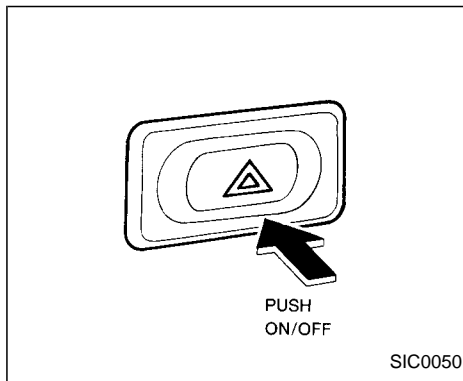


The instrument brightness control operates when the light switch is in the  $\text{⏏}$  or  $\text{⏏}$  position.

Turn the control to adjust the brightness of the instrument panel lights.



## HAZARD WARNING FLASHER SWITCH



Push the switch on to warn other drivers when you must stop or park under emergency conditions. All turn signal lights flash.

### WARNING

- When stalled or stopped on the roadway under emergency conditions, move the vehicle well off the road.
- Do not use the hazard warning flashers while moving on the highway unless unusual circumstances force you to drive so slowly that your ve-

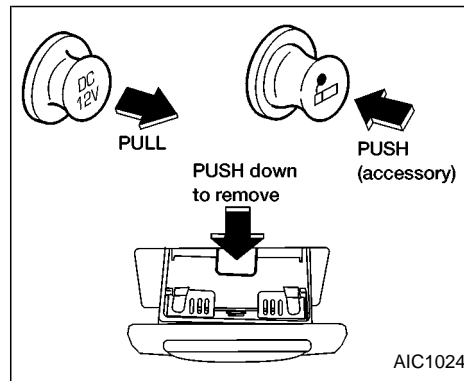
hicle might become a hazard to other traffic.

- Turn signals do not work when the hazard warning flasher lights are on.

The hazard warning flashers can be actuated with the ignition switch in any position.

**Some state laws may prohibit the use of the hazard warning flasher switch while driving.**

## CIGARETTE LIGHTER (accessory) AND ASH TRAY



The cigarette lighter element is an accessory. A genuine NISSAN cigarette lighter or equivalent can be purchased from an authorized NISSAN dealer.

The cigarette lighter operates when the ignition switch is in the ACC or ON position.

Push the lighter in all the way. When the lighter is heated, it springs out.

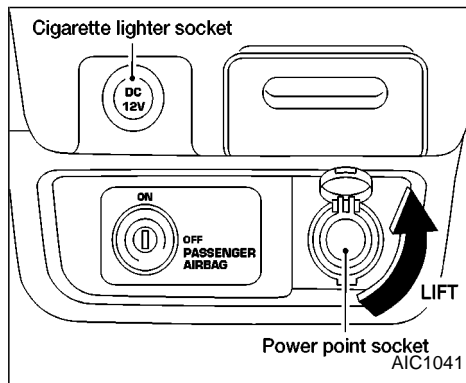
Return the lighter to its original position after use.

**⚠ WARNING**

The cigarette lighter should not be used while driving so that full attention may be given to the driving operation.

**⚠ CAUTION**

The cigarette lighter socket is a power source for the cigarette lighter element only. The use of the cigarette lighter socket as a power source for any other accessory is not recommended.



**POWER POINT (if so equipped)**

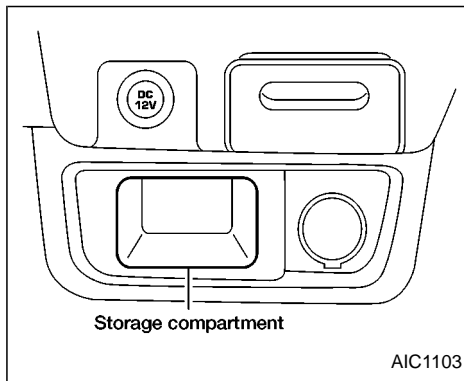
The power point can be used for powering accessories. It is rated at 12 Volts 120 Watts maximum.

**⚠ CAUTION**

- Take care as the socket and plug may be hot during or immediately after use.
- This power point is not designed for use with a cigarette lighter unit.

- Do not use with accessories that exceed a 12 volt, 120W (10A) power draw. Do not use double adapters or more than one electrical accessory.
- Use this power point with the engine running. (If the engine is stopped, this could result in a discharged battery.)
- Avoid using when the air conditioner, headlights or rear window defogger is on.
- Before inserting or disconnecting a plug, be sure to turn off the electrical accessory being used or the ACC power of the vehicle.
- Push the plug in as far as it will go. If good contact is not made, the plug may overheat or the internal temperature fuse may blow.
- When not in use, be sure to close the cap. Do not allow water to contact the socket.

## CUP HOLDER (if so equipped)



### STORAGE COMPARTMENT (Crew cab models only)

A storage compartment is located in the bottom center of the instrument panel.

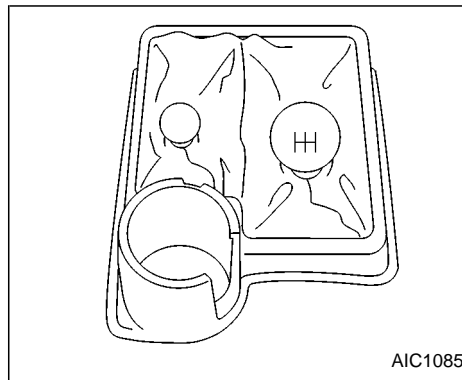
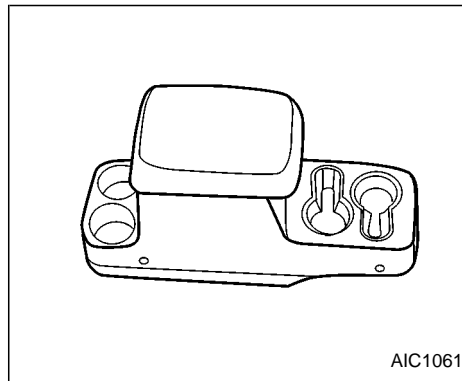
#### WARNING

The cup holder should not be used while driving so that full attention may be given to the driving operation.

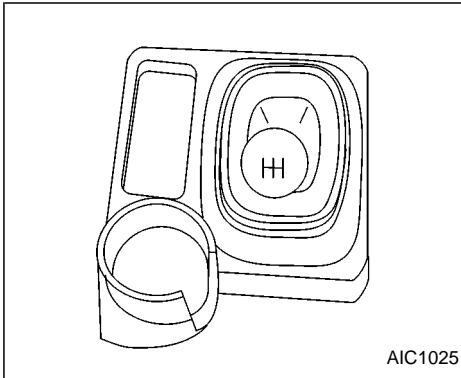
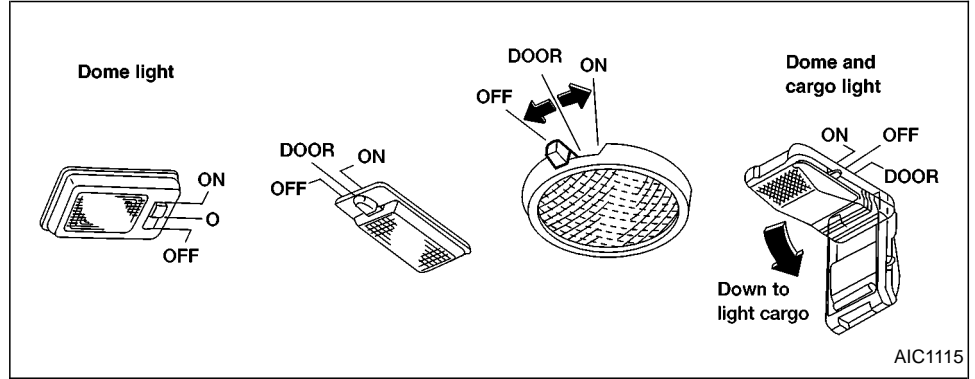
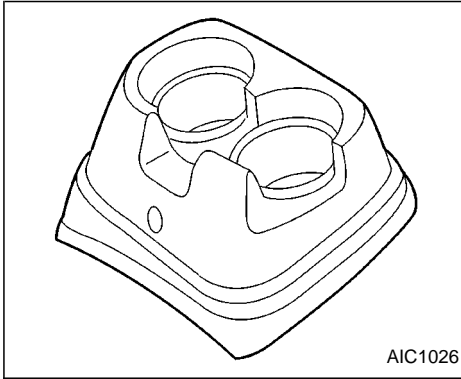
#### CAUTION

- Avoid abrupt starting and braking when the cup holder is being used to prevent spilling the drink. If the liquid is hot, it can scald you or your passenger.
- Use only soft cups in the cup holder. Hard objects can injure you in an accident.

Some cup holders have a rubber insert that can be removed for cleaning and for using larger cups.



## DOMES LIGHT AND CARGO LIGHT



Each dome light has a three-position switch and operates regardless of ignition key position.

- When the switch is in the OFF position, the dome light does not illuminate, regardless of door position.
- When the switch is in the center O or DOOR position, the dome light illuminates by opening a door.
- When the switch is in the ON position, the dome light illuminates regardless of door position.

### Cargo light operation

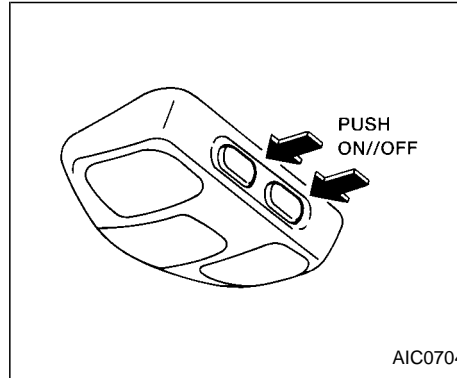
On some King Cab models, the light can be used as a cargo light by simply pulling the light down. This light is convenient at night when loading cargo.

For information regarding dome light bulb replacement, refer to "Bulb replacement" in the "Do-it-yourself" section of this manual.

## MAP LIGHTS (if so equipped)

### **⚠ CAUTION**

Leaving the dome light switch in the ON position for extended periods of time will result in a discharged battery.



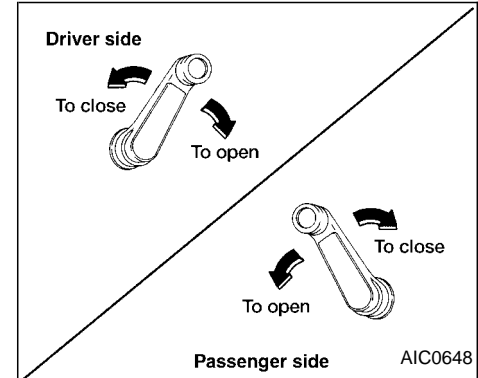
AIC0704

To turn on the map lights push the switches. To turn them off, push the switches again.

### **⚠ CAUTION**

Do not use for extended periods of time with the engine stopped. This could result in a discharged battery.

## MANUAL WINDOWS



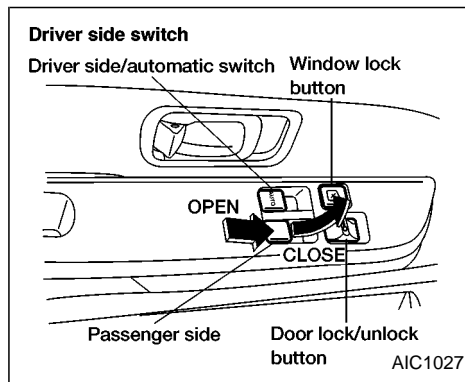
AIC0648

The side windows can be opened or closed by turning the hand crank on each door.

To open a window on the driver side, turn the crank clockwise. To close a window, turn the crank counterclockwise.

To open a window on the passenger side, turn the crank counterclockwise. To close a window, turn the crank clockwise.

## POWER WINDOWS (if so equipped)



### WARNING

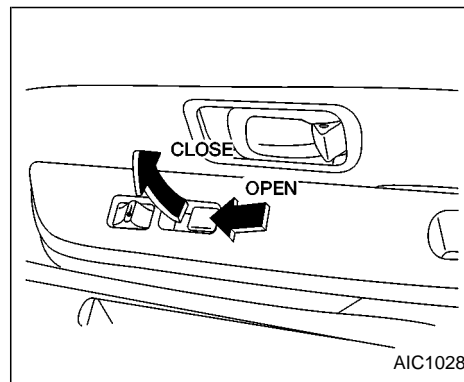
- **Make sure that all passengers have their hands, etc. inside the vehicle before closing the windows. Use the window lock switch to prevent unexpected use of the power windows.**
- **Do not leave children unattended inside the vehicle. They could unknowingly activate switches or controls and become trapped in a window. Unattended children could become involved in serious accidents.**

The power windows operate when the ignition key is in the ON position.

To open the driver window, press the driver switch and hold it down. To close the window, lift the switch up. The driver side control panel (driver's switch) also opens or closes the passenger windows.

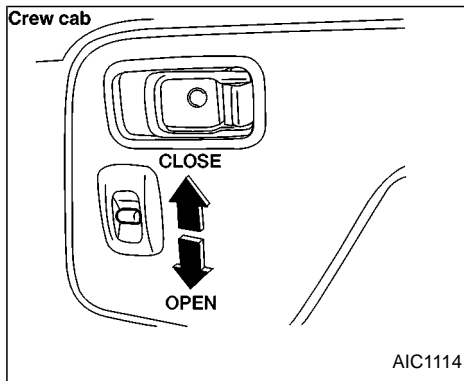
### Locking passenger's window

When the lock button is pushed in, only the driver side window can be opened or closed. Push it in again to cancel the window lock function.



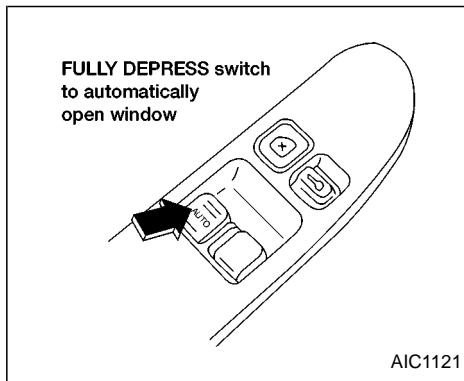
### Passenger power window switch

The passenger switch opens or closes the passenger window. To open the window, press the switch and hold it down. To close the window, lift the switch up.



### Rear power windows (Crew cab models only)

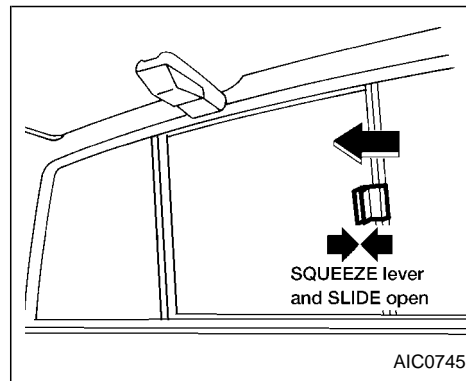
The rear power window switches open or close the corresponding window. To open the window, push and hold the switch down. To close the window, push and hold the switch up.



### AUTOMATIC POWER WINDOW SWITCH

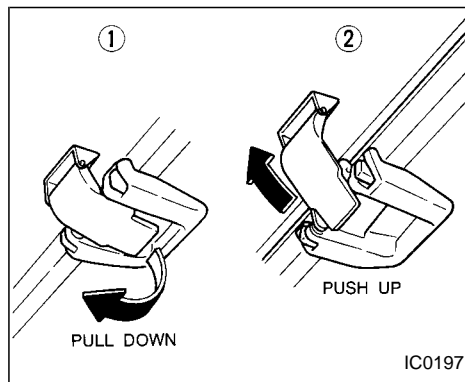
To fully open the driver window, completely press the driver window switch down and release it; it need not be held. To stop the window, lift the switch up while the window is opening.

### REAR SLIDING WINDOW (if so equipped)



Squeeze the handles of the lever, then slide the window open.

## SUNROOF (if so equipped)



### Tilting up

Pull the handle down, then push the handle up to the fully tilted position.

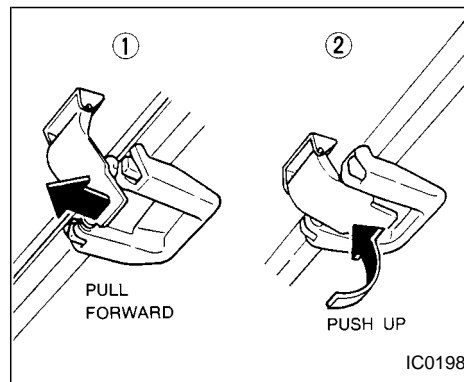
#### **⚠ WARNING**

- In an accident you could be thrown from the vehicle through an open sunroof. Always use seat belts and child restraints.

- Do not allow anyone to stand up or extend any portion of their body out of the sunroof opening while the vehicle is in motion or while the sunroof is closing.

#### **⚠ CAUTION**

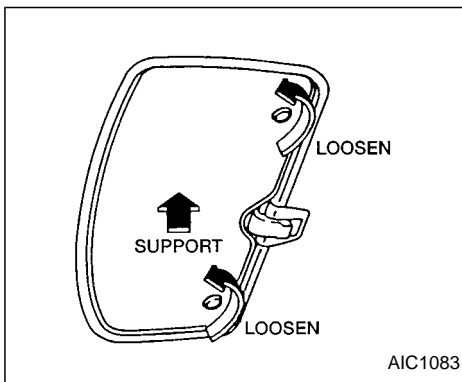
- Remove water drops, snow, ice or sand from the sunroof before opening.
- Do not place heavy objects on the sunroof or surrounding area.



### Closing

Pull the handle forward to unlock, then push the handle up completely to lock the sunroof closed.





**⚠ WARNING**

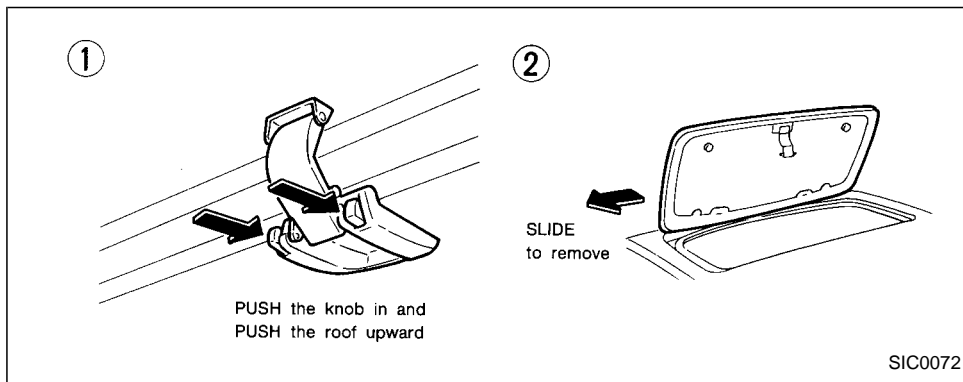
**Do not remove or install the sun shade while driving so that full attention may be given to the driving operation.**

## Installing the sun shade

1. Insert the two hooks on the front edge of sun shade into holders on the sunroof.
2. Align the two lock bolts on the rear edge of sun shade with the lock nuts. Turn each lock bolt clockwise to securely lock the sunshade in place.

## Removing the sun shade

1. Turn each lock bolt counterclockwise while supporting the sun shade.
2. Slide the shade backward to remove it.



## Removing the sunroof

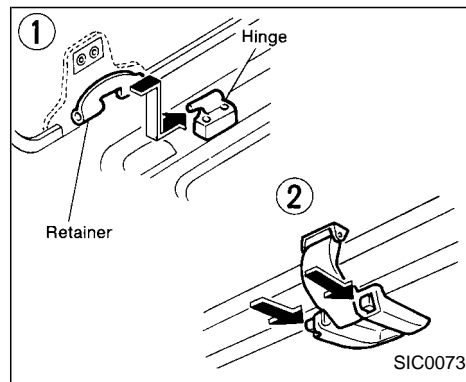
### **⚠ WARNING**

**Do not remove the sunroof while driving so that full attention may be given to the driving operation.**

1. Remove the sun shade.
2. Tilt the sunroof up.
3. Push the knobs located on each end of the handle and push the sunroof upwards to disengage the handle linkage.
4. Pull the sunroof up from outside of the

vehicle until it is perpendicular to the roof panel.

5. Slide the sunroof to the left and remove it.



## Installing the sunroof

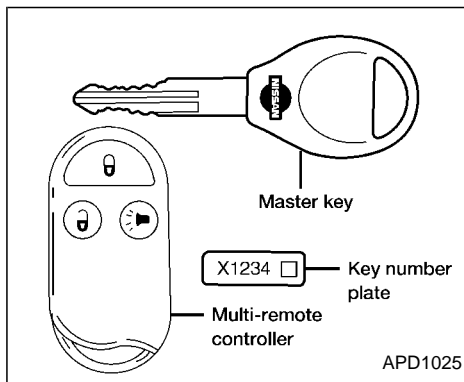
1. While placing the sunroof perpendicular to the roof panel, position the sunroof and engage the retainer with the hinge.
2. Slide the sunroof to the right until the red mark on the hinge disappears.
3. Carefully lower the sunroof, making sure it is centered with in the roof opening.
4. Push the knobs located on each end of the handle and engage the handle linkage.

**Be sure the sunroof is securely installed.**

# 3 Pre-driving checks and adjustments

Key .....	3-2	Fuel filler cap .....	3-11
Door locks .....	3-2	Tailgate latch .....	3-13
Power door locks (if so equipped) .....	3-3	Tie down hooks .....	3-14
Child safety rear door lock .....	3-4	Tilting steering wheel (if so equipped) .....	3-15
Multi-remote control system (if so equipped) .....	3-4	Outside mirror remote control (if so equipped) .....	3-15
Battery replacement .....	3-7	Outside mirrors .....	3-16
Hood release .....	3-8	Inside mirror .....	3-16
Glove box .....	3-9	Vanity mirror (if so equipped) .....	3-17
Roof rack (if so equipped) .....	3-9		
Step rail (if so equipped) .....	3-11		

## KEY



A key number is supplied with your key.

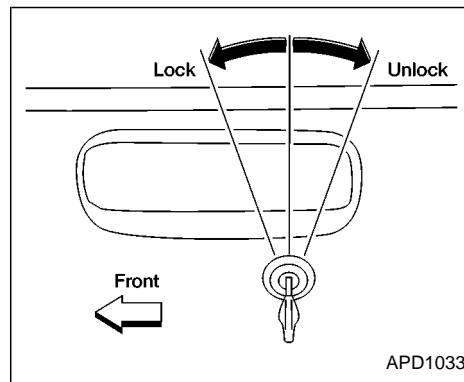
Record the key number and keep it in a safe place (such as your wallet), **NOT IN THE VEHICLE**. If you lose your keys, see an authorized NISSAN dealer for duplicates by using the key number. NISSAN does not record key numbers so it is very important to keep track of your key number plate.

A key number is only necessary when you have lost all keys and do not have one to duplicate from. If you still have a key, this key can be duplicated by an authorized NISSAN dealer or locksmith.

## DOOR LOCKS

### WARNING

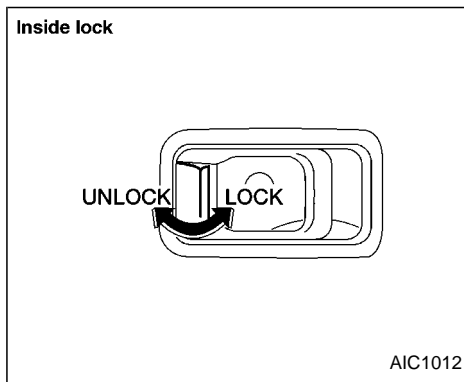
- Always have the doors locked while driving. Along with the use of seat belts, this provides greater safety in the event of an accident by helping to prevent persons from being thrown from the vehicle. This also helps keep children and others from unintentionally opening the doors, and will help keep out intruders.
- Before opening any door, always look for and avoid oncoming traffic.
- Do not leave children unattended inside the vehicle. They could unknowingly activate switches or controls. **Unattended children could become involved in serious accidents.**



### Locking doors with key

To lock the door, turn the key towards the front of the vehicle. To unlock, turn it towards the rear.

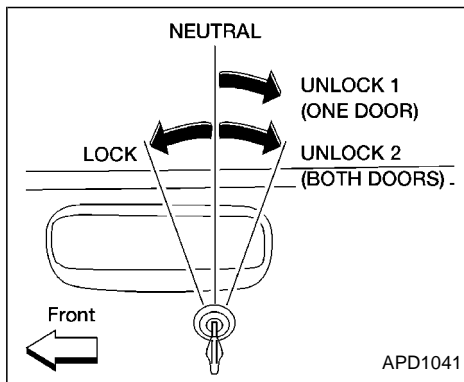
On power door lock equipped models, locking the driver door simultaneously locks all the doors.



### Locking doors without key

To lock the doors without the key, push the inside lock knob to the lock position, then close the door.

When locking the door this way, be certain not to leave the key inside the vehicle.

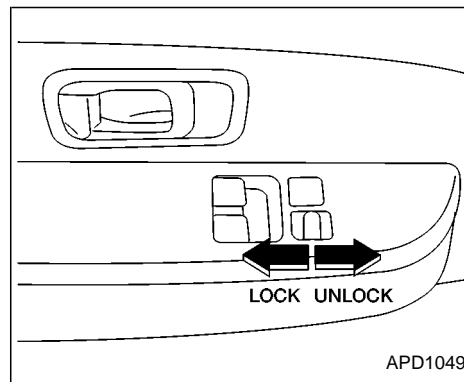


### POWER DOOR LOCKS (if so equipped)

The power door lock system allows you to lock or unlock all doors simultaneously.

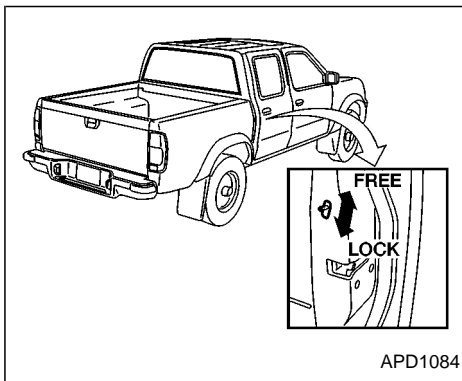
Turning the key to the front of the vehicle locks all doors.

Turning the key one time to the rear of the vehicle unlocks that door. From that position, returning the key to neutral (where the key can only be removed and inserted) and turning it to the rear again within 5 seconds unlocks all doors.



To lock the doors without a key, push the door lock button (driver or passenger side) or the door lock knob (driver or passenger side), then close the door. When locking the doors this way, be certain not to leave the key inside the vehicle.

If the key is left in the ignition, all doors will unlock automatically.



## CHILD SAFETY REAR DOOR LOCK

Child safety locks help prevent the rear doors from being opened accidentally, especially when small children are in the vehicle.

The child safety lock levers are located on the edge of the rear doors.

**When the lever is in the lock position, the door can only be opened from the outside.**

## MULTI-REMOTE CONTROL SYSTEM (if so equipped)

It is possible to lock/unlock all doors, and activate the panic alarm by using the remote controller.

**Be sure to remove the key from the vehicle before locking the doors.**

The remote controller can operate at a distance of approximately 49 ft (15 m) from the vehicle. The effective distance depends on the conditions around the vehicle.

As many as four remote controllers can be used with one vehicle. For information concerning the purchase and use of additional remote controllers, contact an authorized NISSAN dealer.



### **CAUTION**

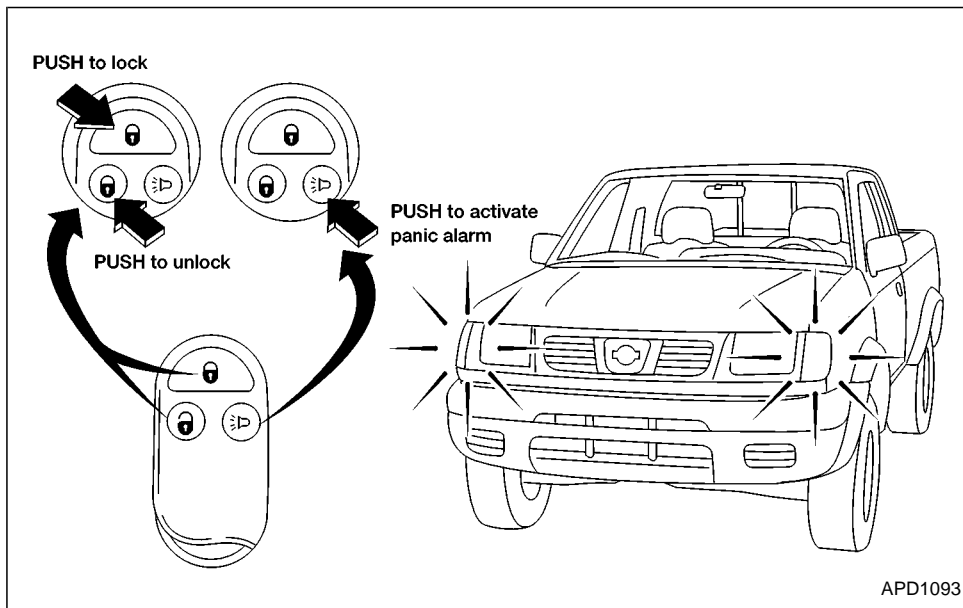
**Listed below are conditions or occurrences which will damage the remote controller:**

- Do not allow the remote controller to become wet.
- Do not drop the remote controller.



- Do not strike the remote controller sharply against another object.
- Do not place the remote controller for an extended period in an area where temperatures exceed 140°F (60°C).

## Locking doors

1. Close all windows.
  2. Remove the key from the ignition switch.
  3. Close the hood and all doors.
  4. Push the  button on the multi-remote controller. All doors lock. The hazard lights flash twice and the horn beeps once to indicate all doors are locked. The horn may or may not beep once. Refer to "silencing the horn beep feature" later in this section.
- When the  button is pushed with all doors locked, the hazard lights flash twice and the horn beeps once as a reminder that the doors are already locked.



## Unlocking doors

1. Push the  button on the multi-remote controller. Only the driver's side door unlocks.
2. Push the  button on the multi-





remote controller again within five seconds. All doors unlock.

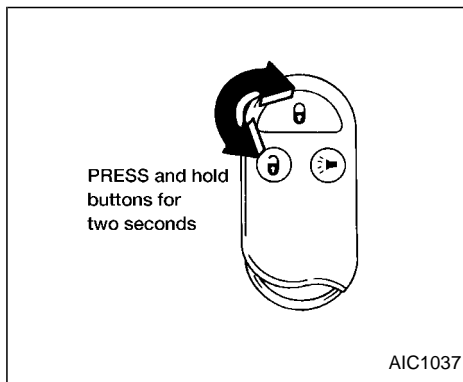
3. The interior light illuminates for 30 seconds when the light switch is in the O or DOOR position.

The interior light can be turned off without waiting 30 seconds by inserting the key into the ignition or locking the doors with the multi-remote controller or pushing the interior light switch to the OFF position.

## Using the panic alarm

If you are near your vehicle and feel threatened, you may activate the panic alarm to call attention as follows:

1. Push the  button on the remote controller for **longer than 1.5 seconds**.
2. The theft warning alarm and headlights will stay on for 30 seconds.
3. The panic alarm stops when:
  - it has run for 30 seconds, or
  - the ,  or the  button is pressed, on the multi-remote controller.





The hazard lights will quickly flash three times to confirm that the horn beep feature has been reactivated.



Deactivating the horn feature does not silence the horn if the alarm is triggered.

### Silencing the horn beep feature

If desired, the horn beep feature can be deactivated using the multi-remote controller.

**To deactivate:** Press and hold the  and  together for at least two seconds.

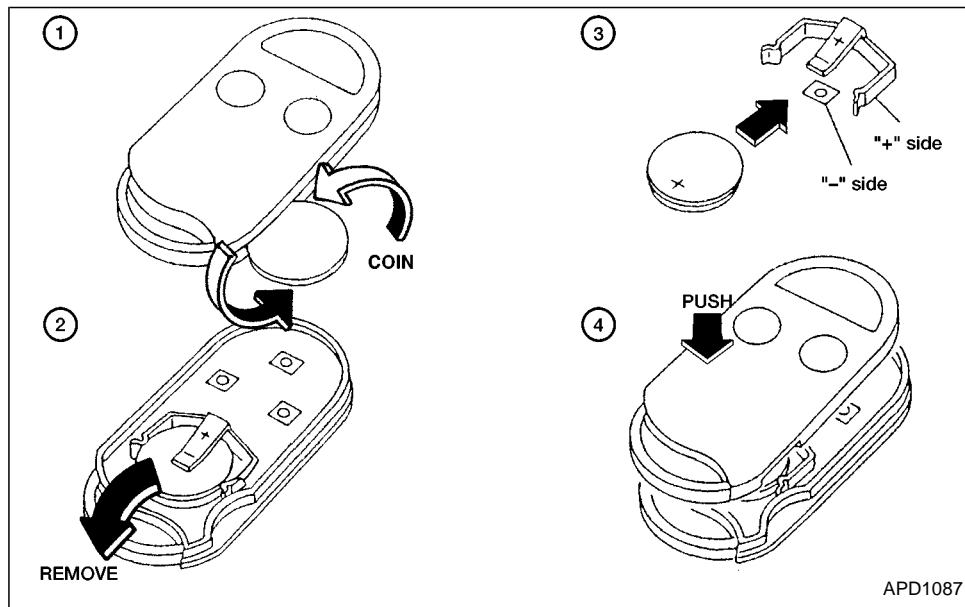
The hazard lights will quickly flash three times to confirm that the horn beep feature has been deactivated.

**To activate:** Press and hold the  and  together for at least two seconds once more.

### 3-6 Pre-driving checks and adjustments





## BATTERY REPLACEMENT



Replace the battery in the multi-remote controller as follows:

1. Open the lid using a coin.
2. Replace the battery with a new one.  
Recommended battery: Sanyo CR2025

or equivalent.

3. Close the lid securely.
4. Press the  button, then the  button two or three times to check the multi-remote controller operation.

If the battery is removed for any reason other than replacement, perform step 4 above.

- An improperly disposed battery can hurt the environment. Always confirm local regulations for battery disposal.
- The multi-remote controller is water-resistant; however, if it does get wet, immediately wipe completely dry.
- The operational range of the multi-remote controller extends to approximately 49 ft (15 m) from the vehicle. This range may vary with conditions.

### FCC Notice:

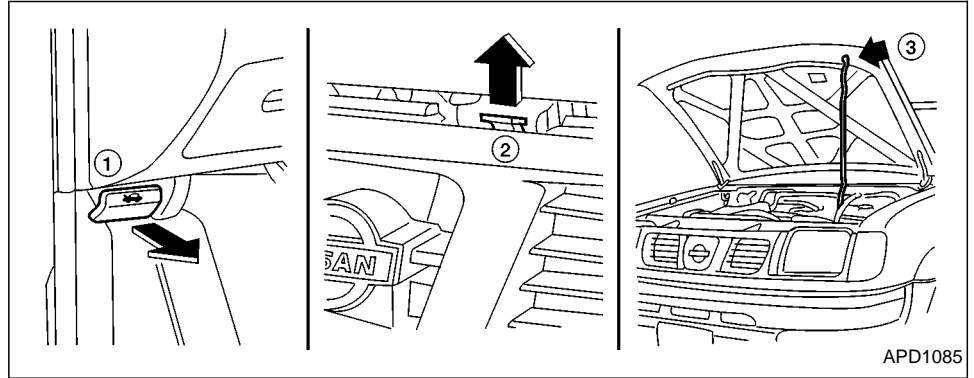
Changes or modifications not expressly approved by the manufacturer for compliance could void the user's authority to operate the equipment.

This device complies with part 15 of the FCC Rules and RSS-210 of Industry Canada.

Operation is subject to the following two conditions: (1) This device may not cause harmful interference, and (2) this

## HOOD RELEASE

device must accept any interference received including interference that may cause undesired operation of the device.



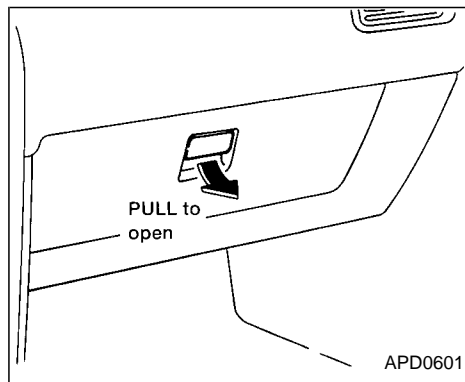
### **⚠ WARNING**

- **Make sure the hood is completely closed and latched before driving. Failure to do so could cause the hood to fly open and result in an accident.**
- **If you see steam or smoke coming from the engine compartment, to avoid injury do not open the hood.**

2. Lift the lever at the front of the hood with your fingertips and raise the hood.
3. Insert the support rod into the slot in the front edge of the hood.
4. When closing the hood, reset the support rod to its original position, lower the hood to approximately 12 inches (30.5 cm) above the latch and release it. This allows proper engagement of the hood latch.

1. Pull the hood lock release handle located below the driver side instrument panel; the hood then springs up slightly.

## GLOVE BOX

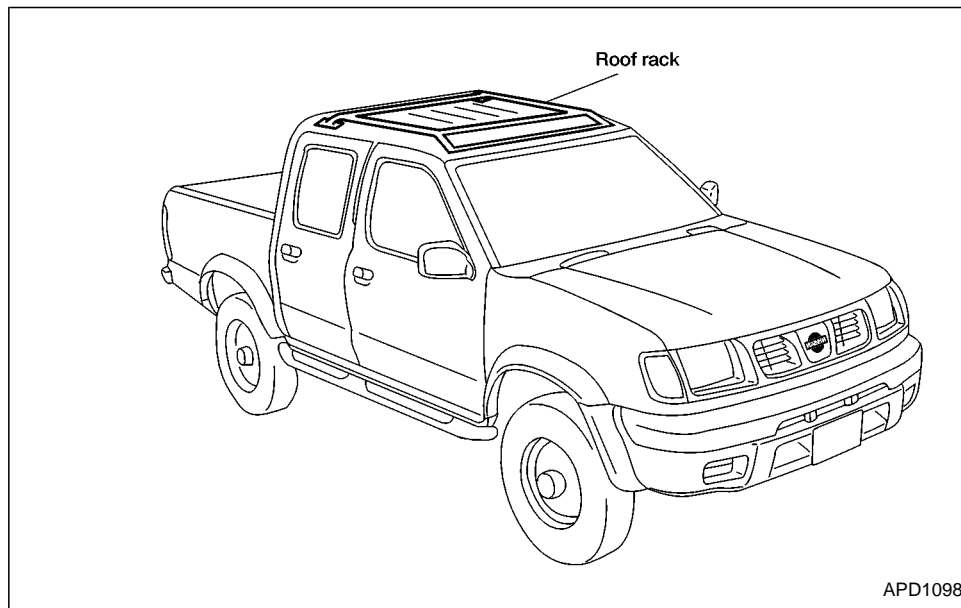


Open the glove box by pulling the handle.

### **WARNING**

**Keep glove box lid closed while driving to prevent injury in an accident or a sudden stop.**

## ROOF RACK (if so equipped)



Always evenly distribute the cargo on the roof rack. **The maximum total load is 125 lb (57 Kg) evenly distributed.** Be careful that your vehicle does not exceed the Gross Vehicle Weight Rating (GVWR) or the Gross Axle Weight Ratings (GAWR front and rear).

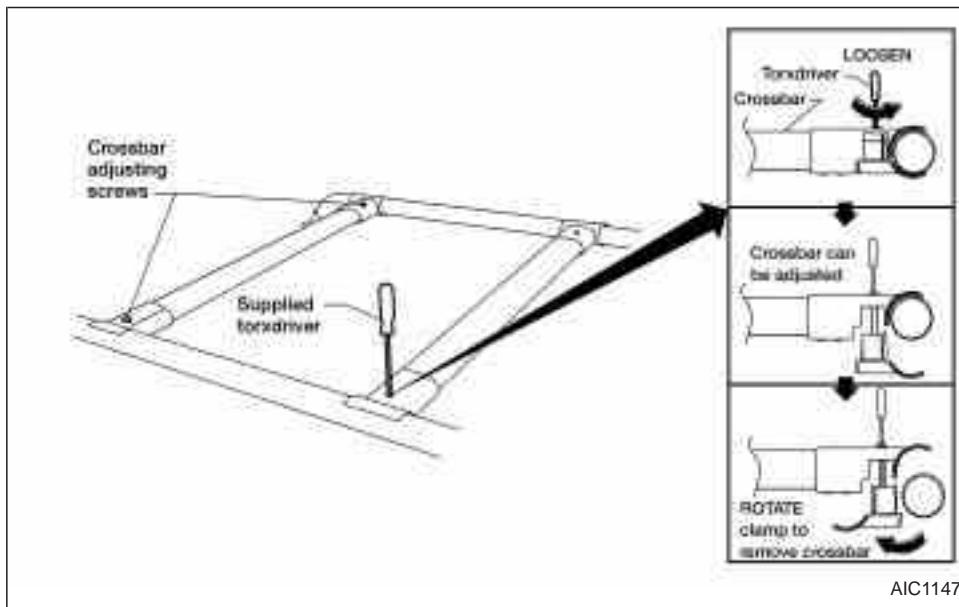
The GVWR and GAWR are located on the Safety Compliance Certification Label (located on the driver's side door jamb pillar). For more information regarding GVWR and GAWR, refer to the "Technical and customer information section of this manual".

**⚠ WARNING**

Properly secure all cargo with ropes or straps to help prevent it from sliding or shifting. In a sudden stop or collision, unsecured cargo could cause personal injury.

**⚠ CAUTION**

Use care when placing or removing items from the roof rack. If you cannot comfortably lift the items onto the roof rack from the ground, use a ladder or stool.

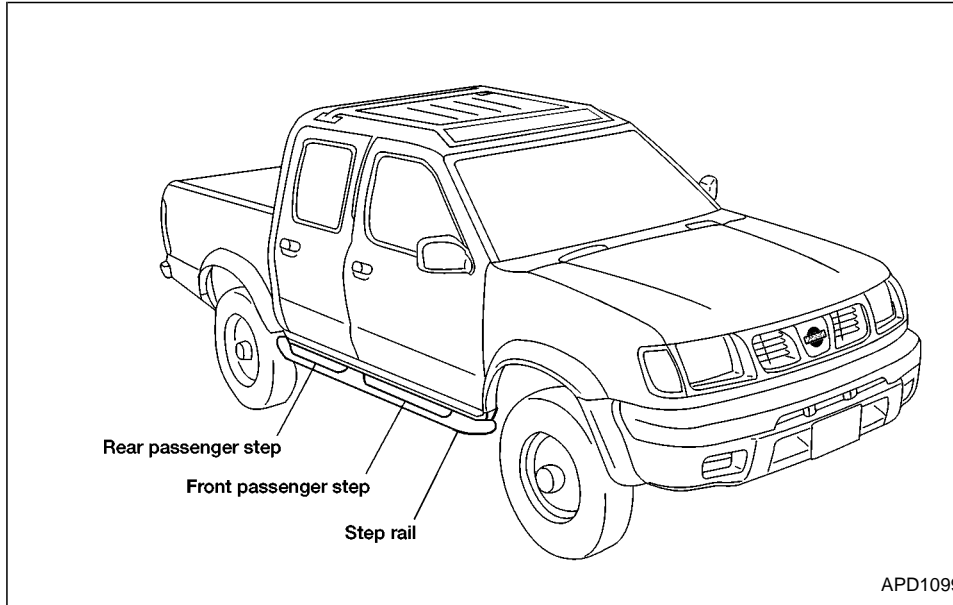


The front and rear crossbars can be adjusted forward, backward, or be removed. Use the torxdriver located in the tool kit to loosen both crossbar adjusting screws. Position the crossbar as needed and then tighten the crossbar adjusting screws. Place

your cargo between the bars, and secure with rope. Always check the tightness of the cross bar adjusting screws.

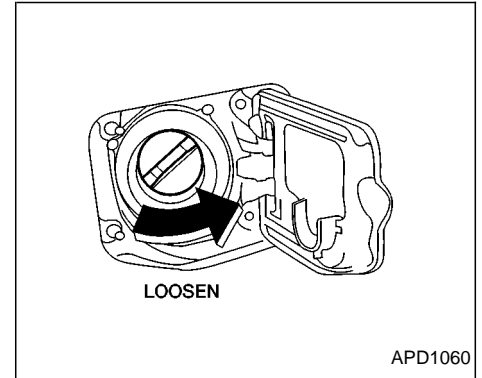
If you hear windnoise coming from the roof rack while driving, adjust the roof rack crossbars to the most rearward position.

## STEP RAIL (if so equipped)



The step rail has a front and rear step for assisting passengers to get into and out of the vehicle.

## FUEL FILLER CAP



The fuel filler cap is a screw-on ratcheting type. Turn the cap counter clockwise to remove. Tighten the cap clockwise until ratcheting clicks are heard.

### WARNING

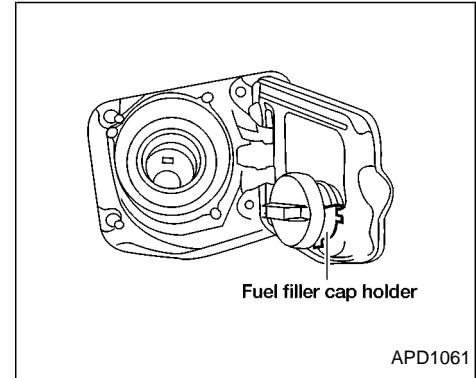
- **Gasoline is extremely flammable and highly explosive under certain conditions. You could be burned or seriously injured if it is misused or mishandled. Always stop the engine and do not smoke or allow open flames or sparks near the vehicle when refueling.**

- Fuel may be under pressure. Turn the cap one-half turn and wait for any “hissing” sound to stop to prevent fuel from spraying out and causing possible personal injury. Then remove the cap.
- Do not attempt to top off the fuel tank after the fuel pump nozzle shuts off automatically. Continued refueling may cause fuel overflow, resulting in fuel spray and possibly fire.
- Use only an original equipment type fuel filler cap as a replacement. It has a built-in safety valve needed for proper operation of the fuel system and emission control system. An incorrect cap can result in a serious malfunction and possible injury.
- Never pour fuel into the throttle body to attempt to start your vehicle.

**⚠ CAUTION**

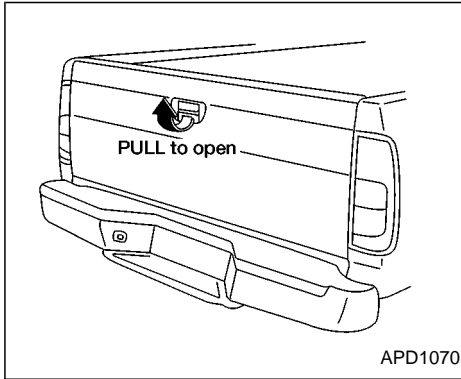
- If fuel is spilled on the vehicle body, flush it away with water to avoid paint damage.

- Tighten until the fuel filler cap clicks. Failure to tighten the fuel filler cap properly may cause the **SERVICE ENGINE SOON** malfunction indicator lamp (MIL) to illuminate. If the **SERVICE ENGINE SOON** lamp illuminates because the fuel filler cap is loose or missing, tighten or install the cap and continue to drive the vehicle. The **SERVICE ENGINE SOON** lamp should turn off after a few driving trips. If the **SERVICE ENGINE SOON** lamp does not turn off after a few driving trips, have the vehicle inspected by an authorized NISSAN dealer.
- For additional information, see the “Malfunction indicator lamp (MIL)” in the “Instruments and Controls” section earlier in this manual.



Put the fuel filler cap in the cap holder while refueling.

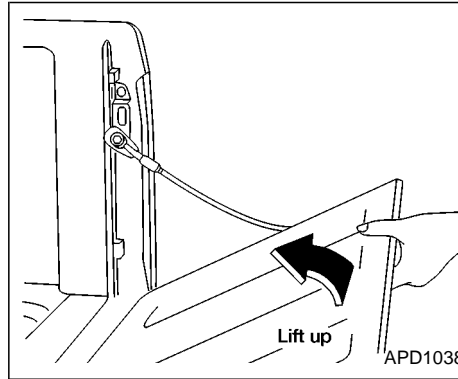
## TAILGATE LATCH



### Opening the tailgate

Pull the tailgate handle upward and lower the tailgate. The support cables hold the tailgate open.

When closing the tailgate, make sure the latches are securely locked.



To open the tailgate to the lowest position, lift the tailgate to a 45 degree angle, then release the support cables.

**Do not drive the vehicle with the tailgate down, unless equipped with Nissan's Bed Extender (accessory) in the deployed position.**

For proper truck box loading see "Loading tips" under the "Vehicle loading information" heading in the "Technical and consumer information" section of this manual.

### WARNING

- It is extremely dangerous to ride in a cargo area inside a vehicle. In a collision, people riding in these areas are more likely to be seriously injured or killed.
- Do not allow people to ride in any area of your vehicle that is not equipped with seats and seat belts.
- Be sure everyone in your vehicle is in a seat and using a seat belt properly.

## TIE DOWN HOOKS

### Removing the tailgate

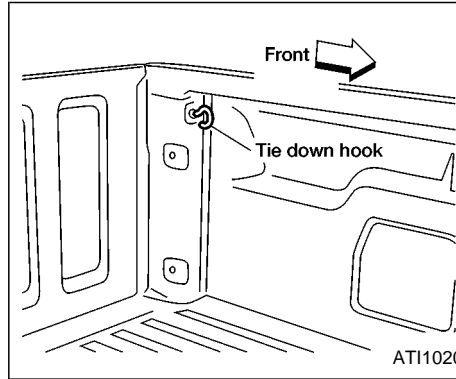
1. Release the tailgate support cables.
2. Hold the tailgate at a 45 degree angle.
3. Pull the tailgate out from the left side hinge.
4. Remove the tailgate from the right side hinge.

### Installing the tailgate

1. Insert the tailgate into the right side hinge.
2. Hold the tailgate at a 45 degree angle and insert left side hinge.
3. Continue to hold tailgate at a 45 degree angle and attach the tailgate support cables.
4. Close the tailgate securely.

#### CAUTION

**The tailgate is heavy. Be careful not to drop it during removal.**



For your convenience, tie down hooks are placed at each corner of the truck box. These may be used to help secure cargo loaded into the truck box.

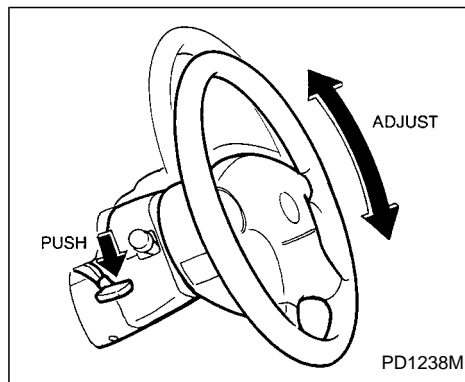
- The weight of the cargo load must be evenly distributed over both the front and rear axles.
- All cargo should be securely fastened with ropes or straps to prevent it from shifting or sliding within the vehicle.

#### WARNING

- Properly secure all cargo with ropes or straps to help prevent it from sliding or shifting. In a sudden stop or collision, unsecured cargo could cause personal injury.
- Do not place cargo higher than the seatbacks. In a sudden stop or collision, unsecured cargo could cause personal injury.



## TILTING STEERING WHEEL (if so equipped)



### Tilt operation

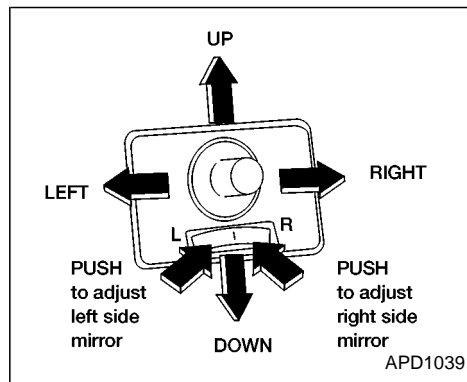
Pull the lock lever down and adjust the steering wheel up or down to the desired position.

Push the lock lever up firmly to lock the steering wheel in place.

### **⚠ WARNING**

**Do not adjust the steering wheel while driving. You could lose control of your vehicle and cause an accident.**

## OUTSIDE MIRROR REMOTE CONTROL (if so equipped)



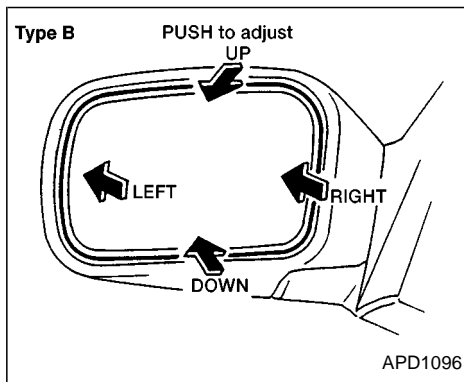
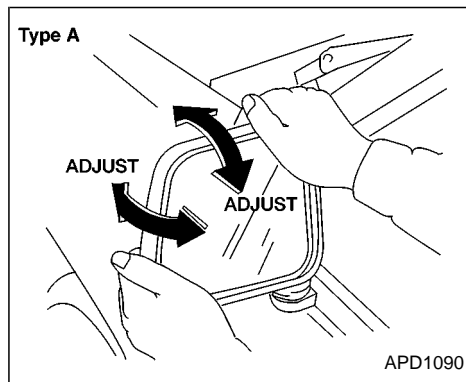
Push the right or left side of the switch to adjust the right or left side mirror, then control the lever.

The ignition switch must be in the ON or ACC position for the power mirrors to operate.

### **⚠ WARNING**

**Objects viewed in the outside mirror on the passenger side are closer than they appear. Be careful when moving to the right. Using only this mirror could cause an accident. Use the inside mirror or glance over your shoulder to properly judge distances to other objects.**

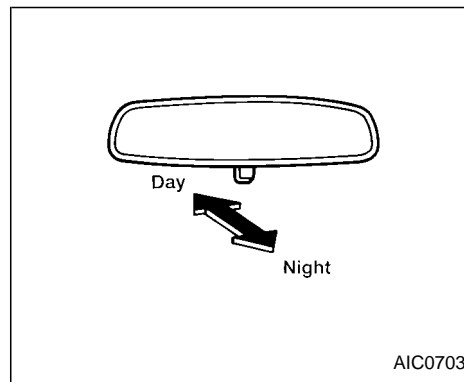
## OUTSIDE MIRRORS



### Folding outside mirror

Push the mirror backward to fold it.

## INSIDE MIRROR

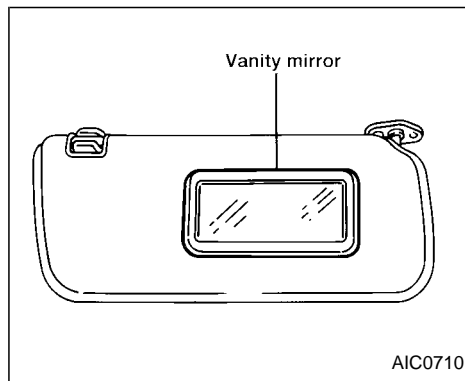


The night position reduces glare from the headlights of vehicles behind the vehicle.

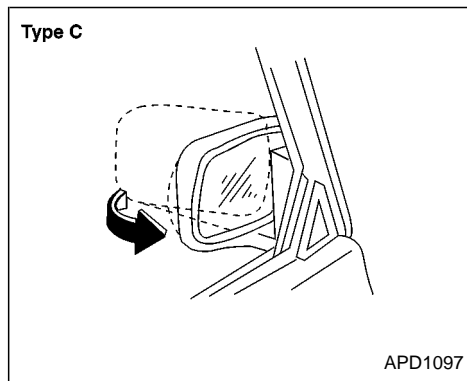
### **⚠ WARNING**

**Use the night position only when necessary because it reduces rear view clarity.**

## VANITY MIRROR (if so equipped)



A vanity mirror is located on the rear side of the passenger sunvisor.



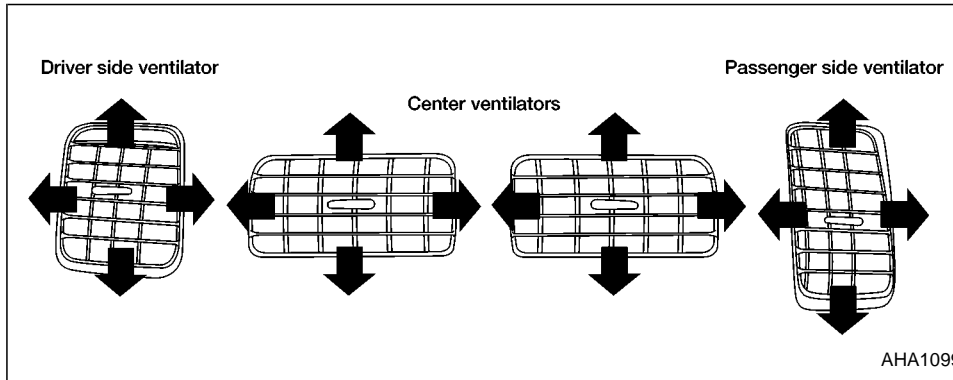
*MEMO*

# 4 Heater, air conditioner and audio systems

Ventilators .....	4-2	Compact disc (CD) player operation .....	4-19
Heater and air conditioner .....	4-3	AM-FM Radio with cassette player and compact disc player (if so equipped) .....	4-21
Controls .....	4-3	Cassette tape operation .....	4-25
Heater operation .....	4-4	Compact disc (CD) player operation .....	4-26
Air conditioner operation (if so equipped) .....	4-5	Antenna .....	4-28
Air flow charts .....	4-6	Car phone or CB radio .....	4-28
AM-FM radio with cassette player .....	4-10		
Cassette tape operation .....	4-13		
FM-AM radio with compact disc (CD) player .....	4-15		



# VENTILATORS

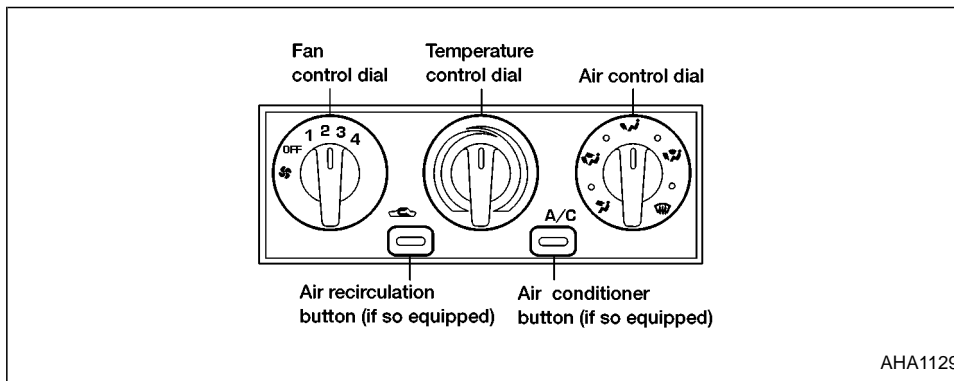


Adjust air flow direction by moving the ventilators slides and ventilator assemblies.

## HEATER AND AIR CONDITIONER

### WARNING

- The air conditioner cooling function operates only when the engine is running.
- Do not leave children, unreliable adults, or pets alone in your vehicle. On hot, sunny days, temperatures in a closed vehicle could quickly become high enough to cause severe or possibly fatal injuries to people or animals.
- Do not use the recirculation mode for long periods as it may cause the interior air to become stale and the windows to fog up.
- Positioning of the heater and air conditioner controls should not be done while driving, in order that full attention may be given to the driving operation.





## CONTROLS

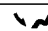


### Fan control dial

This dial turns the fan on and off, and controls fan speed.

### Air flow control dial

This dial allows you to select the air flow outlets.

-  — Air flows from center and side ventilators.
-  — Air flows from center and side ventilators and foot outlets.

-  — Air flows mainly from foot outlets.
-  — Air flows from defroster outlets and foot outlets.
-  — Air flows mainly from defroster outlets.

The air flow control dial also has intermediate positions which allow the air flow to be distributed between two of the icon positions on the air flow control dial.

### Temperature control dial

This dial allows you to adjust the temperature of the outlet air.



Air recirculation button (if so equipped)

## NOTE:

**The air recirculation feature is available only on those vehicles equipped with air conditioning.**


OFF position (indicator light off):

Outside air is drawn into the passenger compartment and distributed through the selected outlets.

Use the OFF position for normal heater or air conditioner operation.

ON position (indicator light on):

Interior air is recirculated inside the vehicle.

Push the  button to the on position when:

- driving on a dusty road.
- to prevent traffic fumes from entering the passenger compartment.
- for maximum cooling when using the air conditioner.

Air conditioner button (if so equipped)



Start the engine, move the fan control dial to the desired (one to four) position, and push the air conditioner button to turn on the air conditioner. The indicator light comes on when the air conditioner is operating. To turn off the air conditioner, push the button again.

**The air conditioner cooling function operates only when the engine is running.**

## HEATER OPERATION

### Heating



This mode is used to direct hot air mainly from the floor outlets. A small amount of air also flows from the defrost outlets.

1. Push the  button (if so equipped) to the off position for normal heating.
2. Turn the air control dial to the  position.
3. Turn the fan control dial to the desired position.
4. Turn the temperature control dial to the

desired position between the middle and the hot position.



## Ventilation

This mode directs outside air from the side and center vents.


1. Push the  button (if so equipped) to the off position.
2. Turn the air control dial to the  position.
3. Turn the fan control dial to the desired position.
4. Turn the temperature control dial to the desired position.

## Defrosting/defogging

This mode is used to defrost/defog the windows.

1. Turn the air control dial to the  position.
- When the  position is selected, the air conditioner automatically turns on (however, the indicator light will not illuminate) if the outside temperature is more than 45°F (7°C). This dehumidifies the air which helps defog the windshield.





The  mode automatically turns off, allowing outside air to be drawn into the passenger compartment to further improve the defogging performance

2. Move the fan control dial to the desired position.
3. Move the temperature control dial to the desired position between the middle and the hot position.




## Bi-level heating

This mode directs cooler air from the side and center vents and warmer air from the floor outlets. When the temperature control dial is moved to the full hot or full cool position, the air between the vents and the floor outlets is the same temperature.

1. Push the  button (if so equipped) to the off position.
2. Turn the air control dial to the  position.
3. Turn the fan control dial to the desired position.
4. Turn the temperature control dial to the desired position.

## Heating and defrosting/defogging

This mode heats the interior and defogs the windshield.

1. Turn the air control dial to the  position.
  - When the  position is selected, the air conditioner automatically turns on (however, the indicator light will not illuminate) if the outside temperature is more than 45°F (7°C). This dehumidifies the air which helps defog the windshield. The  mode automatically turns off, allowing outside air to be drawn into the passenger compartment to further improve the defogging performance.
2. Turn the fan control dial to the desired position.
3. Turn the temperature control dial to the desired position between the middle and the hot position.

## Operating tips

**Clear snow and ice from the wiper blades and air inlet in front of the windshield. This improves heater operation.**



## AIR CONDITIONER OPERATION (if so equipped)


Start the engine, move the fan control dial to the desired (one to four) position, and push in the air conditioner button to activate the air conditioner. When the air conditioner is on, cooling and dehumidifying functions are added to the heater operation.

**The air conditioner cooling function operates only when the engine is running.**

## Cooling

This mode is used to cool and dehumidify the air.



1. Push the  button to the off position.
2. Turn the air control dial to the  position.
3. Turn the fan control dial to the desired position.
4. Turn on the air conditioner button. The indicator light comes on.
5. Turn the temperature control dial to the desired position.

For quick cooling when the outside temperature is high, push the  button to

the on position. Be sure to return the air recirculation button to the off position for normal cooling.




## Dehumidified heating


This mode is used to heat and dehumidify the air.

1. Push the  button to the off position.
2. Turn the air control dial to the  position.
3. Turn the fan control dial to the desired position.
4. Turn on the air conditioner button. The indicator light comes on.
5. Turn the temperature control dial to the desired position.

## Dehumidified defrosting/defogging

This mode is used to defog the windows and dehumidify the air.

1. Turn the air control dial to the  position.
- When the  ,  or positions in between are selected, the air conditioner automatically turns on (however, the indicator light will not illuminate) if the

outside temperature is more than 45°F (7°C). This dehumidifies the air which helps defog the windshield. The  mode automatically turns off, allowing outside air to be drawn into the passenger compartment to further improve the defogging performance.

2. Turn the fan control dial to the desired position.
3. Turn the temperature control dial to the desired position.



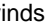
## Operating tips

- Keep windows and sunroof closed while the air conditioner is in operation.
- After parking in the sun, drive for two or three minutes with the windows open to vent hot air from the passenger compartment. Then, close the windows. This allows the air conditioner to cool the interior more quickly.
- **The air conditioning system should be operated for approximately ten minutes at least once a month. This helps prevent damage to the system due to lack of lubrication.**
- **If the engine coolant temperature**

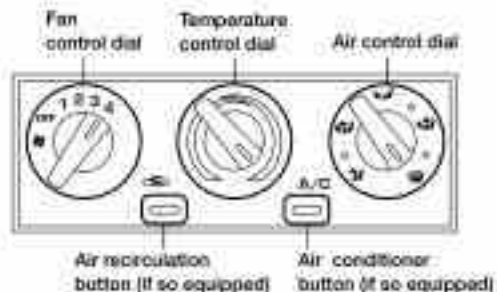
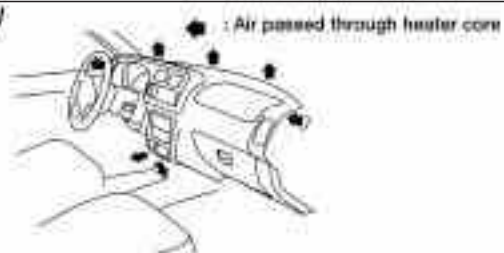
**gauge indicates engine coolant temperature over the normal range, turn the air conditioner off. See "If your vehicle overheats" in the "In case of emergency" section of this manual.**

## AIR FLOW CHARTS

The following charts show the button and dial positions for **MAXIMUM AND QUICK** heating, cooling or defrosting. **The air recirculation switch should always be in the OFF position for heating and defrosting.**

When the  ,  or positions in between are selected, the air conditioner automatically turns on (however, the indicator light will not illuminate) if the outside temperature is more than 45°F (7°C). This dehumidifies the air which helps defog the windshield. The  mode automatically turns off, allowing outside air to be drawn into the passenger compartment to further improve the defogging performance..

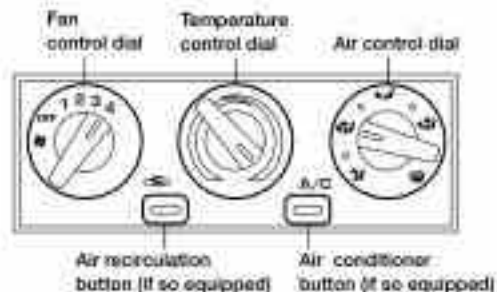
## DEFROSTING/ DEFOGGING



A/C switch (if so equipped)	Air recirculation button (if so equipped)	Air control	Temp control	Fan control
OFF (automatically turns on)	OFF		HOT (RIGHT)	4

AHA1130

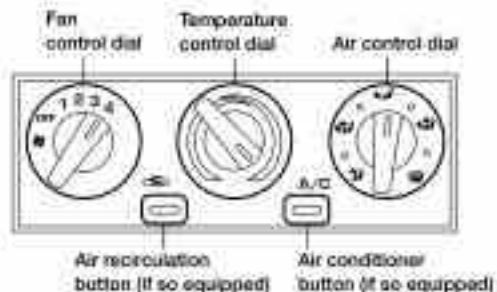
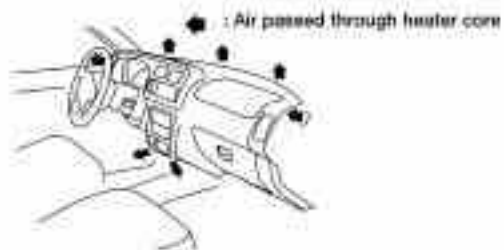
## BI-LEVEL HEATING



A/C switch (if so equipped)	Air recirculation button (if so equipped)	Air control	Temp control	Fan control
OFF	OFF		HOT (RIGHT)	4

AHA1131

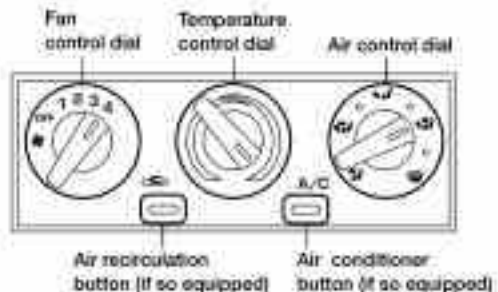
## HEATING



A/C switch (if so equipped)	Air recirculation button (if so equipped)	Air control	Temp control	Fan control
OFF	OFF		HOT (RIGHT)	4

AHA1132

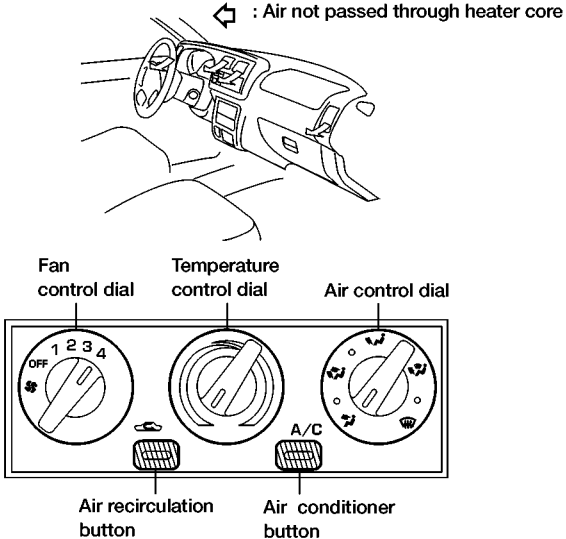
## HEATING & DEFROSTING/ DEFOGGING



A/C switch (if so equipped)	Air recirculation button (if so equipped)	Air control	Temp control	Fan control
OFF (automatically turns on)	OFF		HOT (RIGHT)	4

AHA1133

## COOLING



A/C switch	Air recirculation button	Air control	Temp control	Fan control
ON	ON		COLD (LEFT)	4

AHA1134

## Servicing air conditioner

The air conditioner system in your NISSAN is charged with a refrigerant designed with the environment in mind.

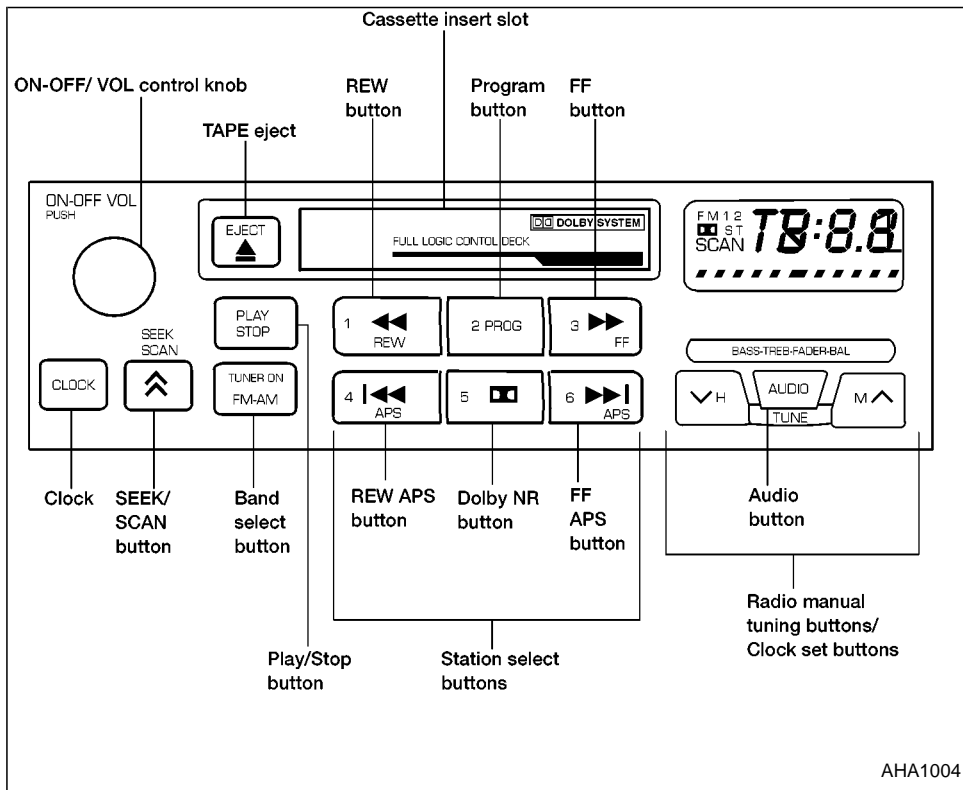
**This refrigerant does not harm the earth's ozone layer.**

Special charging equipment and lubricant is required when servicing your NISSAN air conditioner. Using improper refrigerants or lubricants causes severe damage to your air conditioner system. See "Air conditioner system refrigerant and lubrication recommendations" in the "Technical and consumer information" section of this manual.

An authorized NISSAN dealer will be able to service your environmentally "friendly" air conditioner system.

### WARNING

**The air conditioner system contains refrigerant under high pressure. To avoid personal injury, any air conditioner service should be done only by an experienced technician with proper equipment.**



## AM-FM RADIO WITH CASSETTE PLAYER

This audio system has the FADER function installed in Crew Cab models. Standard and King Cab models, equipped with this audio system, do not have the FADER function.

### ON-OFF/VOL control knob

Turn the ignition key to the ACC or ON position, then push the ON-OFF/VOL control knob. If you listen to the radio with the engine not running, turn the key to the ACC position. The mode (radio or cassette) which was playing immediately before the system was turned off resumes playing. When no cassette is loaded, the radio comes on. Pushing the ON-OFF/VOL control knob again turns the system off.

Turn the ON-OFF/VOL control knob to adjust the volume.

### Clock operation

Pressing the CLOCK button alternates the clock and the radio/cassette tape options in the display.

AHA1004

## Clock set

Depressing the CLOCK and the  $\vee^H$  buttons together sets hours. Depressing the CLOCK and  $M^{\wedge}$  buttons together sets minutes.

## Clock priority mode

In this mode the clock is shown in the display. If any radio or cassette tape functions are activated, the radio (or cassette tape) display illuminates for 10 seconds then returns to the clock mode.

### NOTE:

**After clock adjustment, the radio is in the clock priority mode.**

## Radio/Cassette tape priority mode

In this mode, the radio station illuminates in the display during radio operation. During cassette tape operation, TAPE illuminates in the display.

## Selecting the desired band

Push the  $\overset{\text{TUNER ON}}{\text{FM} \bullet \text{AM}}$  button to change from AM to FM1 or FM2 reception.

The FM stereo indicator, ST, illuminates during FM stereo reception. When the stereo broadcast signal is weak, the radio automati-

cally changes from stereo to monaural reception.

Radio reception is affected by station signal strength, distance from radio transmitter, buildings, bridges, mountains and other external influences. Intermittent changes in reception quality normally are caused by these external influences.

**Using a cellular phone in or near the vehicle may influence radio reception quality.**

TUNE buttons



### WARNING

**The radio should not be tuned while driving in order that full attention may be given to the driving operation.**

Use the  $\vee^H$  and  $M^{\wedge}$  buttons for manual tuning. To move quickly through the channels, hold either of the tune buttons down for more than 1.5 seconds.

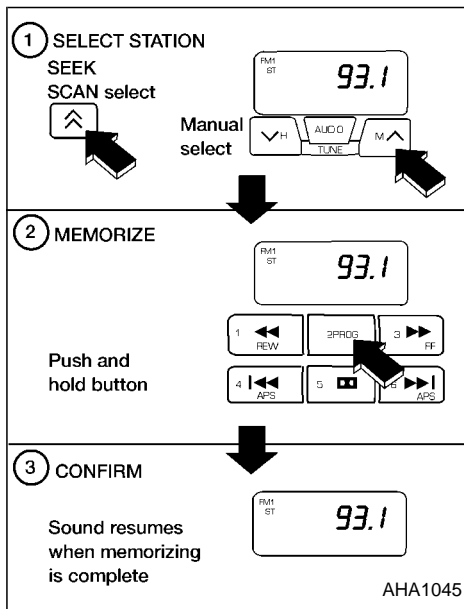
## SEEK tuning

Push the  $\overset{\text{SEEK}}{\text{SCAN}}$  tuning button  $\wedge$  for less than 1.5 seconds. SEEK tuning begins from low to high frequencies and stops at the next broadcasting station. Pushing the button

again continues the SEEK function. Once the highest broadcasting station is reached, the radio continues in the SEEK mode at the lowest broadcast station.

## SCAN tuning

Push and hold the  $\overset{\text{SEEK}}{\text{SCAN}}$  tuning button  $\wedge$  for more than 1.5 seconds. SCAN illuminates in the display window. SCAN tuning begins from low to high frequencies and stops at each broadcasting station for five seconds. Pushing the button again during this five second period stops SCAN tuning and the radio remains tuned to that station.



## Station memory operations

Six stations can be set for the AM band. 12 stations can be set for the FM band (six for FM1, six for FM2).

1. Push  $\text{TUNER ON}$  /  $\text{FM} \cdot \text{AM}$  to select AM, FM1, or

FM2. The selected band illuminates in the display.

2. Tune to the desired station.

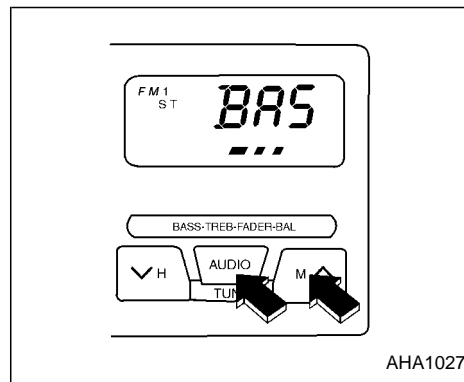
3. Push the desired station select button for more than 2 seconds. For example, in the illustrations, ch2 is to be memorized. The radio mutes when the select button is pushed.

4. When the sound resumes, memorizing is complete.

5. Other station select buttons can be set in the same manner.

If the battery cable is disconnected, or if the radio fuse opens, the radio memory is cancelled. In that case, reset the desired stations.

## 4-12 Heater, air conditioner and audio systems



## Adjusting tone quality and speaker balance

To adjust BASS-TREB-FADER (Crew Cab models only) and BAL (Bass, Treble, Fader, Balance), press the AUDIO button until the desired mode (BAS, TRE, FAD or BAL) appears in the display.

Press the  $\checkmark$  or  $M$  button to adjust Bass (BAS) and Treble (TRE) to the desired level. Use the  $\checkmark$  or  $M$  button to adjust Fader (FAD) or Balance modes. Fader adjusts the sound level between the front and rear speakers and Balance (BAL)



adjusts the sound level between the right and left speakers.

After 10 seconds, the radio or cassette tape display reappears. Once the sound quality is set to the desired level, the AUDIO button can be pressed repeatedly until the radio or cassette tape display appears.

## CASSETTE TAPE OPERATION

Turn the ignition key to ACC or ON and carefully insert a cassette tape into the tape door. The cassette tape automatically pulls into the player.

The word TAPE and moving digital squares illuminate on the right side of the display window. If the radio is already operating it automatically turns off and the cassette tape begins to play.

### CAUTION

**Do not force the cassette tape into the tape door. This could cause player damage.**

The cassette tape automatically changes directions to play the other side when the first side is complete. At this time, the moving digital squares illuminate on the left side



of the display window.

## Precautions on cassette player operations




- **To maintain good quality sound, NISSAN recommends using cassette tapes of 60 minutes or shorter in length.**
- **Cassette tapes should be removed from the player when not in use. Store cassettes in their protective cases and away from direct sunlight, heat, dust, moisture and magnetic sources.**
- **Direct sunlight can cause the cassette to become deformed. The use of deformed cassettes may cause the cassette to jam in the player.**
- **Do not use cassettes with labels which are peeling and loose. If used, the label could jam in the player.**
- **If a cassette has loose tape, insert a pencil through one of the cassette hubs and rewind the tape firmly around the hubs. Loose tape may cause tape jamming and wavering sound quality.**
- **Over a period of time, the playback head, capstan and pinch roller may**

**collect a tape coating residue as the tape is played. This residue accumulation can cause weak or wavering sound, and should be removed periodically with a head cleaning tape. If the residue is not removed periodically, the player may need to be disassembled for cleaning.**

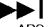

## Fast forwarding or rewinding the tape

Push either the <sup>3</sup>  or <sup>1</sup>  button for the desired direction.

The FF or REW symbol illuminates in the display.

To stop the FF or REW function, press the <sup>3</sup>  or <sup>1</sup>  again, or the  button.

## Automatic Program Search (APS) fast forwarding or APS rewinding the tape

Push either the <sup>6</sup>  or <sup>4</sup>  button while the cassette tape is playing. The tape runs quickly, stops, then plays the next selection from the beginning. Either the FF or REW symbol flashes in the display while searching for the selection.

This system searches for the blank intervals between selections. If there is a blank interval within one selection or there is no interval between selections, the system may not stop in the desired or expected location.



### Changing the direction of tape play



Push the **2 PROG** (program) select button. The moving digital squares illuminate on either the right or left side of the display window to indicate the side of program play.

### Playing and stopping the cassette tape

Push the **PLAY STOP** button while the cassette tape is playing to stop the tape. Push the button again to play the tape.

### Dolby NR (noise reduction)

Push the **5**  button for Dolby NR encoded tapes to reduce high frequency tape noise. The  symbol illuminates in the display.

If the display is in the clock priority mode when the **5**  button is pressed,  and TAPE illuminate in the display window for about 10 seconds. The clock mode then returns to the display window.


## 4-14 Heater, air conditioner and audio systems

Dolby NR is manufactured under license from Dolby Laboratories Licensing Corporation. DOLBY NR and the double-D symbol are trademarks of Dolby Laboratories Licensing Corporation.

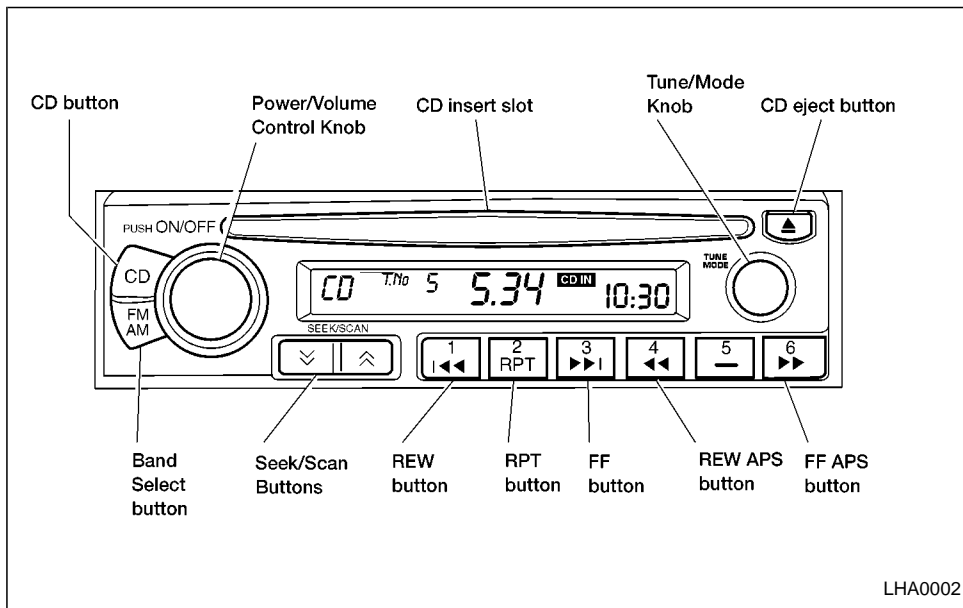
### Metal or chrome tape usage

The cassette player is automatically set to high performance play when playing a metal or chrome cassette tape.

### Ejecting the cassette tape

Push the **EJECT**  button to eject an inserted cassette tape.

## AUDIO SYSTEM



### FM-AM RADIO WITH COMPACT DISC (CD) PLAYER

#### Audio main operation

To turn the radio on, turn the ignition key to ACC or ON. If you listen to the radio with the engine not running, turn the key to the ACC position.

Radio reception is affected by station signal strength, distance from radio transmitter, buildings, bridges, mountains and other external influences. Intermittent changes in reception quality normally are caused by these external influences.

**Using a cellular phone in or near the vehicle may influence radio reception quality.**

#### Power/Volume control

Turn the ignition key to the ACC or ON, then push the power/volume control knob. The mode (radio or CD) which was playing immediately before the system was turned off resumes playing. When no CD is loaded, the radio comes on. Pushing the power/volume control knob again turns the system off.

Turn the power/volume control knob to adjust the volume.

### Adjusting tone quality and speaker balance.

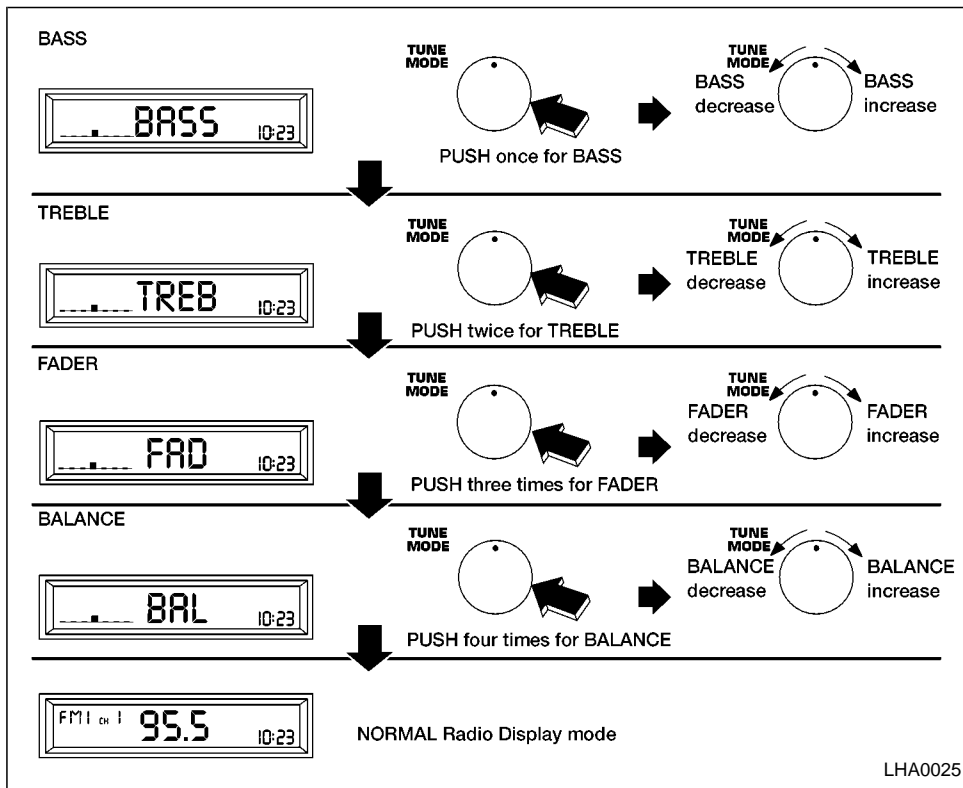
To adjust Bass, Treble, Fader (Crew Cab models only) or Balance, press the **TUNE MODE** knob for less than 1.5 seconds. A beep signals entry into the audio adjustment mode and BASS will appear in the display. Rotate the **TUNE MODE** knob to adjust Bass (BASS) to the desired level.

Press the **TUNE MODE** knob a second time and TREB appears in the display. Rotate the **TUNE MODE** knob to adjust Treble (TREB) to the desired level.

Press the **TUNE MODE** knob a third time and FAD appears in the display (Crew Cab models only). Fader (FAD) adjusts the sound between the front and rear speakers. Rotate the **TUNE MODE** knob to adjust Fader (FAD) to the desired level.

Press the **TUNE MODE** knob a fourth time and BAL appears in the display. Balance (BAL) adjusts the sound between the right and left speakers. Rotate the **TUNE MODE** knob to adjust Balance (BAL) to the desired level.

After 10 seconds, the radio or CD display will reappear. Once the sound quality is set to the desired level, press the **TUNE MODE** knob repeatedly until the radio or CD display reappears.



## Clock operation

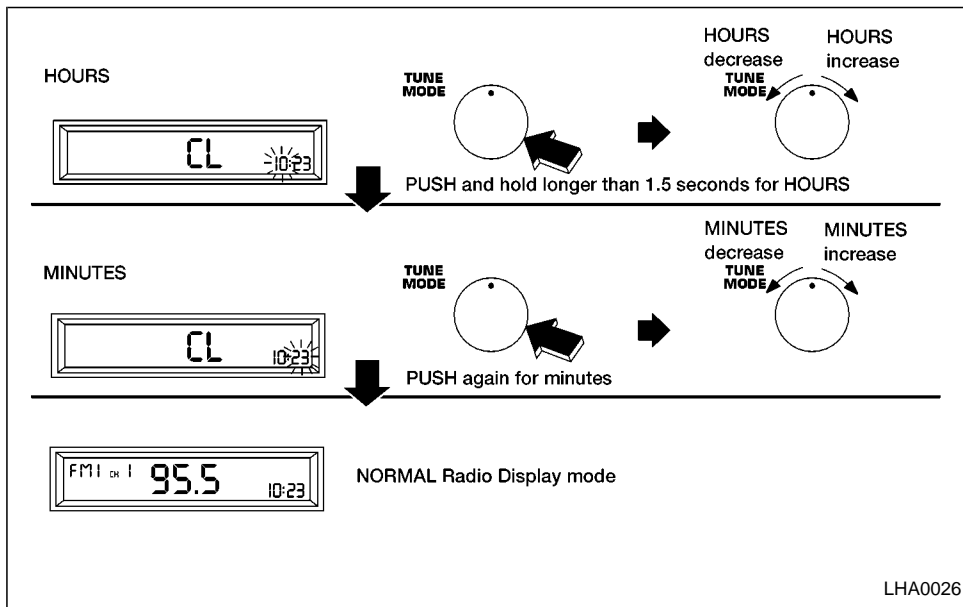
The clock is on in the display regardless of what mode, media, or function the radio is in as long as the ignition is in ACC or ON.

## Clock set

To adjust the clock, press the **TUNE MODE** knob for longer than 1.5 seconds. A beep signals entry into the clock adjustment mode and CL appears in the display. The hours will be blinking. Rotate the **TUNE MODE** knob to adjust the hours to the desired level.

Press the **TUNE MODE** knob a second time and the minutes will start to blink. Rotate the **TUNE MODE** knob to adjust the minutes to the desired level.

After 10 seconds, the radio or CD display will reappear. Once the clock is set to the desired level, press the **TUNE MODE** knob repeatedly until the radio or CD display reappears.



## FM/AM radio operation

### FM/AM band select

Push the band select button (FM/AM) to change from AM to FM1 or FM2 reception.

The FM stereo indicator, ST, illuminates

during FM stereo reception. When the stereo broadcast signal is weak, the radio automatically changes from stereo to monaural reception.

## 4-18 Heater, air conditioner and audio systems

### TUNE MODE Knob

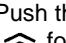
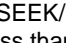
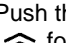
#### WARNING

The radio should not be tuned while driving in order that full attention may be given to the driving operation.



Rotate the **TUNE MODE** knob to the right or to the left for manual tuning.

  SEEK/SCAN tuning

#### SEEK tuning

Push the SEEK/SCAN tuning button  or  for less than 1.5 seconds. SEEK tuning begins from high to low frequencies or low to high frequencies, depending on which button is pressed, and stops at the next broadcasting station. Once the highest broadcasting station is reached, the radio continues in the SEEK mode at the lowest broadcasting station. If using the  button once the lowest broadcasting station is reached, the radio continues in the SEEK mode at the highest broadcasting station.

## SCAN tuning

Push the SEEK/SCAN tuning button  or  for more than 1.5 seconds. SCAN appears in the display window. SCAN tuning begins from high to low frequencies or low to high frequencies, depending on which button is pressed. SCAN tuning stops at each broadcasting station for five seconds. Pushing the button again during this five second period stops SCAN tuning and the radio remains tuned to that station.

## Station memory operations

Six stations can be set for the AM band. 12 stations can be set for the FM band (six for FM1, six for FM2).

1. Push the band select button (FM/AM) to select AM, FM1, or FM2. The selected band illuminates in the display.
2. Tune to the desired station.
3. Push the desired station select button for more than 1.5 seconds. The radio mutes when the select button is pushed.
4. The indicator, ch2, then illuminates in the display and the sound resumes. Memorizing is now complete. display and the sound resumes, memorizing is complete.

5. Other station select buttons can be set in the same manner.

If the battery cable is disconnected, or if the radio fuse opens, the radio memory is cancelled. In that case, reset the desired stations.

## COMPACT DISC (CD) player operation

Turn the ignition key to the ACC or ON position and carefully insert the compact disc into the slot with the label side up. The compact disc is automatically pulled into the slot and starts to play.

If the radio is already operating, it automatically turns off and the compact disc begins to play.

## CAUTION

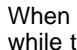

**Do not force the compact disc into the slot. This could damage the player.**

## CD button

When this button is pushed with the compact disc loaded and the radio playing, the radio turns off and compact disc starts to play.





## FF (Fast forward) REW (Rewind)


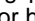
When the  or  button is pushed while the compact disc is playing, the compact disc plays at an increased speed while fast forwarding or rewinding. When the button is released, the compact disc returns to normal play speed.




## APS (Automatic Program Search) FF, APS REW

When the  button is pushed while the compact disc is playing, the selection fol-

lowing the present one starts to play from the beginning. Push or hold the  button several times to skip several selections. Each time the button is pushed, the CD advances one selection. (When the last selection on the compact disc is skipped, the first selection is played.)

When the  button is pushed, the selection being played returns to the beginning. Push or hold the  button several times to skip back several selections. Each time the button is pushed, the CD moves back one selection.

#### RPT (Repeat)

When the  repeat button is pushed while the compact disc is playing, the play pattern changes as follows.


1: The current selection is repeated.


**MIX:** Selections are played at random, not following the sequence on the compact disc. The same program may be repeated twice.

**Normal** (no symbol): All selections are played in sequence, and the compact disc stops when the last selection is finished.

**When a new compact disc is inserted, the play pattern automatically changes to the "Normal" play pattern.**

#### CD EJECT

When the  button is pushed with a compact disc loaded, the compact disc ejects.

When the  button is pushed while the compact disc is playing, the compact disc ejects and the system turns off.

**If the compact disc ejects and is not removed within 10 seconds, it is pulled back into the slot.**

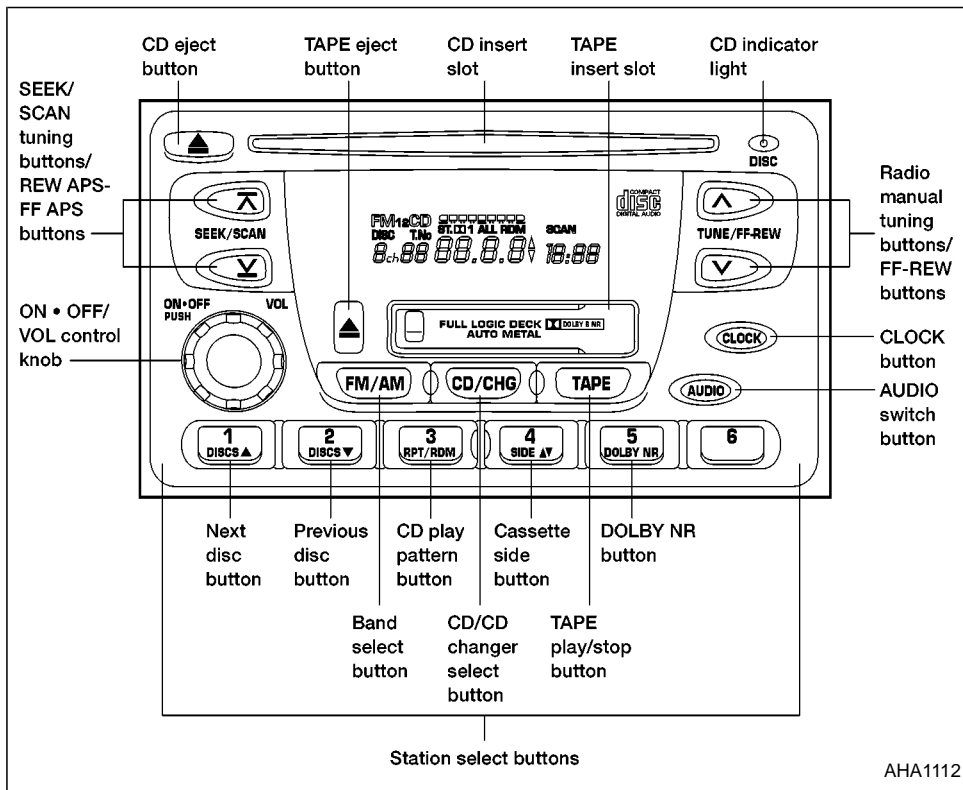
#### DISC indicator light

CD IN appears on the display when a CD is loaded with the system ON

#### CAUTION

- During cold weather or rainy days, the player may malfunction due to the humidity. If this occurs, remove the CD and dehumidify or ventilate the player completely.
- The player may skip while driving on rough roads.
- The CD player sometimes cannot function when the passenger compartment temperature is extremely high. Decrease the temperature before use.
- Do not expose the CD to direct sunlight.
- Do not touch the playing surface of the disc.
- Do not use 8cm discs. They may cause player damage even if using with the optional adapter.
- Recordable compact discs (CD-R) may not function properly in the CD player.





## AM-FM RADIO WITH CASSETTE PLAYER AND COMPACT DISC PLAYER (if so equipped)

### ON-OFF/VOL control knob

Turn the ignition key to the ACC or ON position, then push the ON-OFF/VOL control knob button. If you listen to the radio with the engine not running, turn the key to the ACC position. The mode (radio, tape or CD) which was playing immediately before the system was turned off resumes playing.

When no CD or tape is loaded, the radio comes on. Push the ON-OFF/VOL control knob button again turns the system off.

Turn the ON-OFF/VOL control knob to adjust the volume.

### Clock operation



Pressing the clock button displays the clock.


### Clock set


Press the CLOCK button for more than 2 seconds the radio beeps and the hours flash, use the TUNE/FF-REW ▲

▼ buttons to set the hour, press the CLOCK button again until the radio beeps

AHA1112

and minutes flash, use the TUNE/FF-REW   buttons to set the minutes. The display will return to regular clock display in 7 seconds or you may press the CLOCK button again to return to the regular clock display.

FM-AM band select button 

Push the  button to change from AM to FM1 or FM2 reception.

The FM stereo indicator, ST, illuminates during FM stereo reception. When the stereo broadcast signal is weak, the radio automatically changes from stereo to monaural reception.

Radio reception is affected by station signal strength, distance from radio transmitter, buildings, bridges, mountains, and other external influences. Intermittent changes in reception quality normally are caused by these external influences.

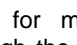
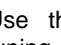
**Using a cellular phone in or near the vehicle may influence radio reception quality.**


TUNE/FF-REW buttons 



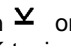
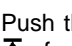
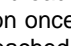
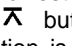
**⚠ WARNING**

**The radio should not be tuned while driving in order that full attention may be given to the driving operation.**

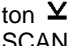
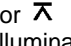
Use the  and  buttons for manual tuning. To move quickly through the channels, hold either of the tuning buttons down.

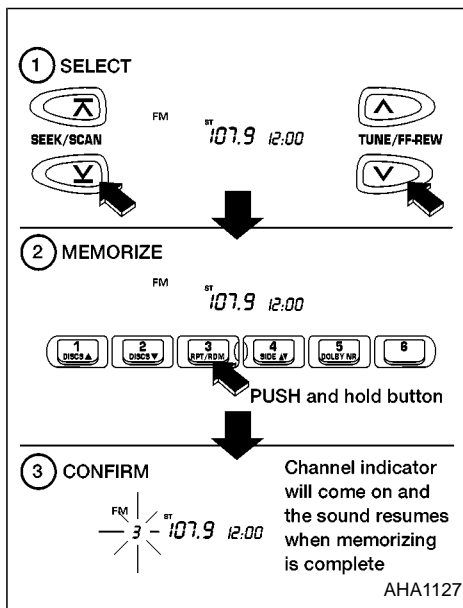
SEEK/SCAN buttons  

SEEK tuning

Push the SEEK/SCAN tuning button  or  for less than 1.5 seconds. SEEK tuning begins from low to high frequencies or high to low frequencies, depending on which button is pressed, and stops at the next broadcasting station. If using the  button once the highest broadcasting station is reached, the radio continues in the SEEK mode at the lowest broadcasting station. If using the  button once the lowest broadcasting station is reached, the radio continues in the SEEK mode at the highest broadcasting station.

SCAN tuning

Push and hold the SEEK/SCAN tuning button  or  for more than 1.5 seconds. SCAN illuminates in the display window, and the radio station blinks. SCAN tuning begins from low to high frequencies or from high to low frequencies, depending on which button is pressed. Scan tuning stops at each broadcasting station for five seconds. When scanning, SCAN is solid and the radio station blinks. When temporarily stopped on a station, SCAN blinks and the station display is solid. Pushing the button again during this five second period stops SCAN tuning and the radio remains tuned to that station



## Station memory operations

Six stations can be set for the AM band. 12 stations can be set for the FM band (six for FM1, six for FM2).

1. Push **FM/AM** to select AM, FM1, or FM2.

The selected band illuminates in the display.

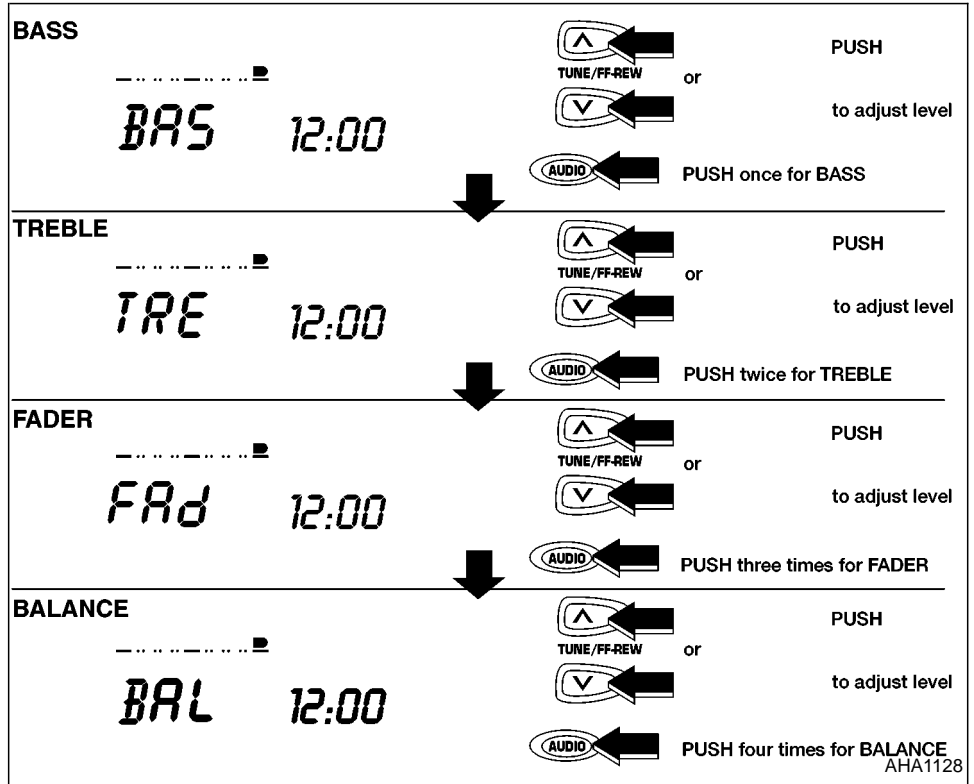
2. Tune to the desired station.
3. Push the desired station select button for more than 3 seconds. For example, in the illustrations ch2 is to be memorized. The radio mutes when the select button is pushed.
4. When the indicator illuminates in the display and the sound resumes, memorizing is complete.
5. Other station select buttons can be set in the same manner.

If the battery cable is disconnected, or if the radio fuse opens, the radio memory is cancelled. In that case, reset the desired stations.

## Adjusting tone quality and speaker balance

To adjust the audio levels for bass, treble, fader and balance, push the AUDIO button and adjust the level with the TUNE/FF-REW  $\wedge$  or  $\vee$  buttons. Press the audio button once for BAS (bass), twice for TRE (treble), three times for FAD (fader) and four times for BAL (balance). Once the audio level is set the display will return back to radio, cassette or CD display mode after 7 seconds or the AUDIO button can be pressed again within 7 seconds to set the next audio level. Pressing the AUDIO button a fifth time will return the display back to radio, cassette or CD display mode.

Fader adjusts the sound level between the front and rear speakers, balance adjusts the sound level between the right and left speakers.



AHA1128

## CASSETTE TAPE OPERATION

Turn the ignition key to the ACC or ON position, and carefully insert a cassette tape into the tape door. The cassette tape automatically pulls into the player. The word TAPE illuminates in the display.

If the radio is already operating it automatically turns off and the cassette tape begins to play. The cassette tape automatically changes directions to play the other side when the first side is complete.

### CAUTION

**Do not force the cassette tape into the tape door. This could cause player damage.**

Precautions on cassette player operation

- **To maintain good quality sound, NISSAN recommends using cassette tapes of 60 minutes or shorter in length.**
- **Cassette tapes should be removed from the player when not in use. Store cassettes in their protective cases**

**and away from direct sunlight, heat, dust, moisture or magnetic sources.**

- **Direct sunlight can cause the cassette to become deformed. The use of deformed cassettes may cause the cassette to jam in the player.**
- **Do not use cassettes that have peeling or loose labels. If used, the label could jam in the player.**
- **If a cassette has loose tape, insert a pencil through one of the cassette hubs and rewind the tape firmly. Loose tape may cause jamming and wavering sound quality.**
- **Over a period of time, the playback head, capstan and pinch roller may gather a tape coating residue as the tape is played. This residue accumulation can cause a weak or wavering sound and should be removed periodically with a head cleaning tape. If the residue is not removed periodically, the player may need to be disassembled for cleaning.**



PLAY/STOP TAPE button 


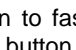


When the TAPE button is pushed with the system turned off and a tape loaded, the



system comes on and the tape plays. The word TAPE illuminates.

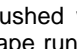
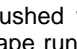
When the TAPE button is pushed with either the radio or compact disc turned on and a tape loaded, the compact disc or the radio turns off and the tape plays.

While the tape is playing, pushing the TAPE button stops tape play. Pushing the button again resumes tape play.

FF (fast forward) and REW (rewind) buttons  

Push the  button to fast forward the tape. Push the  button to rewind the tape. Either REW or FF illuminates in the display. To stop the FF or REW function, press the TAPE, , or  buttons.

Automatic Program Search (APS) SEEK/SCAN buttons  

When the  button is pushed while the tape is being played, the tape runs quickly, stops, then plays the next selection from the beginning. Push the  button several times to skip several selections. Each time the button is pushed, the tape fast forwards

one additional selection. This number appears in the display window. The tape can be fast forwarded through up to nine selections. (for example: 7 in the display indicates that the **⏮** button has been pushed seven times to skip forward through seven selections).

When the **⏮** button is pushed, the selection being played starts again from the beginning. Push the **⏮** button several times to rewind several selections. Each time the **⏮** button is pushed, the tape rewinds back one additional selection. The number of selections skipped appears in the display window as a negative number (for example: -7 in the display indicates that the **⏮** button has been pushed seven times to rewind back through seven selections). To stop APS **⏮** or **⏮**, press the **TAPE** button.

Either the **FF** or **REW** illuminates in the display when the **⏮** (**REW**) or **⏮** (**FF**) button is pushed.

The system searches for the blank intervals between selections. If there is a blank interval within one selection or there is no interval between selections, the system may not stop in the desired or expected location.

#### 4-26 Heater, air conditioner and audio systems

### SIDE (Program) button

Push the **4 SIDE** button to change the tape side while the tape is being played.

The cassette tape automatically changes directions to play the other side when the first side is complete.

### Dolby NR (noise reduction)

Push the **5 DOLBY NR** button for Dolby NR encoded tapes to reduce high frequency tape noise. The **DD** indicator illuminates in the display.

Dolby NR is manufactured under license from Dolby Laboratories Licensing Corporation. DOLBY NR and the double-D symbol are trademarks of Dolby Laboratories Licensing Corporation.

### Metal or chrome tape usage

The cassette player is automatically set to high performance play when playing a metal or chrome cassette tape.

### TAPE EJECT button

Push the **▲** button to eject an inserted cassette tape.

## COMPACT DISC (CD) PLAYER OPERATION

Turn the ignition key to the **ACC** or **ON** position and carefully insert the compact disc into the slot with the label side up. The compact disc is automatically pulled into the slot and starts to play.

If the radio or cassette tape is already operating, it automatically turns off and the compact disc begins to play.

### CAUTION

**Do not force the compact disc into the slot. This could damage the player.**

### CD button

When the **CD/CHG** button is pushed with the compact disc loaded and the tape or the radio playing, the tape or radio turns off and compact disc starts to play.



### FF (fast forward) REW (rewind) buttons

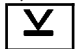
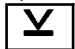

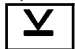
When the **▶** or **◀** button is pushed while the compact disc is playing, the compact disc plays at an increased speed while

fast forwarding or rewinding. When the button is released, the compact disc returns to normal play speed.

### Automatic Program Search (APS) APS FF, APS REW buttons




When the  button is pushed while the compact disc is playing, the selection following the present one starts to play from the beginning. Push the  button several times to skip several selections. Each time the button is pushed, the CD advances one additional selection. The number appears in the display window. (When the last selection on the compact disc is skipped, the first selection is played.)


When the  button is pushed, the selection being played returns to the beginning. Push the  button several times to skip back several selections. Each time the button is pushed, the CD moves back one selection. If the play pattern is in RANDOM mode when the  or  buttons are pushed, the previous or next random selection will be played.

### RPT/RDM (repeat/random) button



When the  button is pushed while the compact disc is playing, the play pattern changes as follows.


1: The current selection is repeated.


**RANDOM:** Selections are played at random, not following the sequence on the compact disc. The same program may be repeated twice. If the  button is pushed in the RANDOM mode, the next selection will be chosen at random.

**Blank** (no symbol): All selections are played repeatedly in sequence.

**When a new compact disc is inserted, the play pattern automatically changes to ALL.**

### CD EJECT button

When the  button is pushed with a compact disc loaded, the compact disc ejects.

When the  button is pushed while the compact disc is playing, the compact disc ejects and the system turns off.

**If the compact disc ejects and is not**

**removed within 10 seconds, it is pulled back into the slot.**

### CD (DISC) indicator light

This light comes on when a compact disc is loaded into the player.

#### CAUTION

- **During cold weather or rainy days, the player may malfunction due to the humidity. If this occurs, remove the CD and dehumidify or ventilate the player completely.**
- **The player may skip while driving on rough roads.**
- **The CD player sometimes cannot function when the compartment temperature is extremely high. Decrease the temperature before use.**
- **Do not expose the CD to direct sunlight.**
- **Do not touch the playing surface of the disc.**
- **Do not use 8 cm discs. They may cause player damage even if using with the optional adapter.**

## ANTENNA

- Recordable compact discs (CD-R) may not function properly in the CD player.

The antenna cannot be shortened, but it can be removed. When you need to remove the antenna, turn the antenna rod counterclockwise.

To install the antenna rod, turn the antenna clockwise. Tighten the antenna rod to specification using a suitable tool such as an open-end wrench. The antenna rod tightening specification is 3.4 - 3.6 N·m (30 - 32 in·lb). Do not use pliers to tighten the antenna as they can leave marks on the antenna surface. The antenna rod can not be hand tightened to the proper specification.

### CAUTION

**Always properly tighten the antenna rod during installation or the antenna rod may break during vehicle operation.**

## CAR PHONE OR CB RADIO

### Microphone installed model

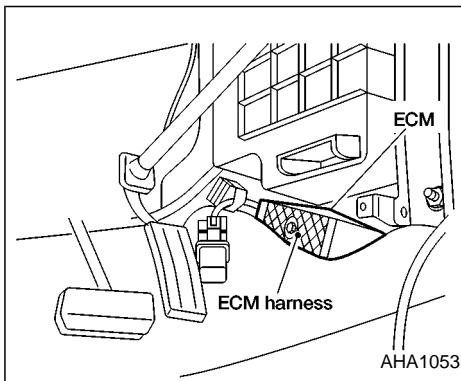
If equipped with a genuine NISSAN cellular phone (US only), your NISSAN features a non-directional microphone in the steering column cover, so it is not necessary to look at or speak directly into the microphone when calling. To do so could detract from the driving operation and cause an accident. See the manual for car phone operation.

### Pre-wired and antenna for phone installed model

Some models are pre-wired to accept the genuine NISSAN cellular phone (US only). In addition, the same model has the phone antenna built into the rear glass window.

When installing a CB, ham radio or car phone in your NISSAN, be sure to observe the following cautions, otherwise the new equipment may adversely affect the MFI (Multiport Fuel Injection) system and other electronic parts.





**⚠ WARNING**

- A cellular telephone should not be used while driving so full attention may be given to vehicle operation. Some jurisdictions prohibit the use of cellular telephones while driving.
- If you must make a call while your vehicle is in motion, the hands free cellular phone operational mode (if so equipped) is highly recommended. Exercise extreme caution at all times so full attention may be given to vehicle operation.

- If a conversation in a moving vehicle requires you to take notes, pull off the road to a safe location and stop your vehicle before doing so.

**⚠ CAUTION**

- Keep the antenna as far away as possible from the Engine Control Module (ECM).
- Keep the antenna wire more than 8 in. (20 cm) away from the Multiport Fuel Injection harness. Do not route the antenna wire next to any harness.
- Adjust the antenna standing-wave ratio as recommended by the manufacturer.
- Connect the ground wire from the CB radio chassis to the body.
- For details, consult an authorized NISSAN dealer.

*MEMO*

# 5 Starting and driving

Precautions when starting and driving .....	5-2	Starting the engine .....	5-16
Exhaust gas (carbon monoxide) .....	5-2	Parking brake operation .....	5-16
Three-way catalyst .....	5-2	Cruise control (if so equipped) .....	5-18
On-pavement and off-road driving precautions.....	5-3	Break-in schedule .....	5-20
Avoiding collision and rollover.....	5-3	Increasing fuel economy .....	5-20
Drinking alcohol/drugs and driving .....	5-4	Transfer case shifting procedures for 4-wheel drive vehicles.....	5-21
Driving safety precautions.....	5-4	Auto-lock free-running hubs.....	5-22
Ignition switch.....	5-6	Manual-lock free-running hubs.....	5-24
Manual transmission.....	5-6	Tires of four-wheel drive .....	5-26
Automatic transmission .....	5-7	Parking/parking on hills .....	5-27
Before starting the engine .....	5-8	Power steering system.....	5-28
Driving with automatic transmission (if so equipped) .....	5-8	Brake system.....	5-28
Overdrive switch (KA24DE engine) .....	5-13	Anti-lock brake system (ABS) .....	5-29
Overdrive switch (VG33E engine).....	5-14	Cold weather driving .....	5-30
Driving with manual transmission.....	5-14		

## PRECAUTIONS WHEN STARTING AND DRIVING

### WARNING

- Do not leave children, unreliable adults, or pets alone in your vehicle. They could accidentally injure themselves or others through inadvertent operation of the vehicle. Also, on hot, sunny days, temperatures in a closed vehicle could quickly become high enough to cause severe or possibly fatal injuries to people or animals.
- Properly secure all cargo to help prevent it from sliding or shifting. Do not place cargo higher than the seat-backs. In a sudden stop or collision, unsecured cargo could cause personal injury.

## EXHAUST GAS (carbon monoxide)

### WARNING

- Do not breathe exhaust gases; they contain colorless and odorless carbon monoxide. Carbon monoxide is dangerous. It can cause unconsciousness or death.

- If you suspect that exhaust fumes are entering the vehicle, drive with all windows fully open, and have the vehicle inspected immediately.
- Do not run the engine in closed spaces such as a garage.
- Do not park the vehicle with the engine running for any extended length of time.
- If a special body, camper, or other equipment is added for recreational or other usage, follow the manufacturer's recommendation to prevent carbon monoxide entry into the vehicle. Do not occupy these areas while the engine is running even if the vehicle is parked. Some recreational vehicle appliances such as stoves, refrigerators, heaters, etc. may also generate carbon monoxide.
- The exhaust system and body should be inspected by a qualified mechanic whenever:
  - a. The vehicle is raised for service.

- b. You suspect that exhaust fumes are entering into the passenger compartment.
- c. You notice a change in the sound of the exhaust system.
- d. You have had an accident involving damage to the exhaust system, underbody, or rear of the vehicle.

## THREE-WAY CATALYST

The three-way catalyst is an emission control device installed in the exhaust system. Exhaust gases in the converter are burned at high temperatures to help reduce pollutants.

### WARNING

- The exhaust gas and the exhaust system are very hot. Keep people, animals or flammable materials away from the exhaust system components.
- Do not stop or park the vehicle over flammable materials such as dry grass, waste paper or rags. They may ignite and cause a fire.

### CAUTION

- Do not use leaded gasoline. Deposits from leaded gasoline seriously reduce the three-way catalyst's ability to help reduce exhaust pollutants.
- Keep your engine tuned up. Malfunctions in the ignition, fuel injection, or electrical systems can cause over-rich fuel flow into the three way catalyst, causing it to overheat.
- Do not keep driving if the engine misfires, or if noticeable loss of performance or other unusual operating conditions are detected. Have the vehicle inspected promptly by an authorized NISSAN dealer.
- Avoid driving with an extremely low fuel level. Running out of fuel could cause the engine to misfire, damaging the three-way catalyst.
- Do not race the engine while warming it up.
- Do not push or tow your vehicle to start the engine.

## ON-PAVEMENT AND OFFROAD DRIVING PRECAUTIONS

Utility vehicles have a significantly higher rollover rate than other types of vehicles.

They have higher ground clearance than passenger cars to make them capable of performing in a variety of on-pavement and offroad applications. This gives them a higher center of gravity than ordinary cars. An advantage of higher ground clearance is a better view of the road, allowing you to anticipate problems. However, they are not designed for cornering at the same speeds as conventional two-wheel drive vehicles any more than low-slung sports cars are designed to perform satisfactorily under off road conditions. If at all possible, avoid sharp turns or abrupt maneuvers particularly at high speeds. As with other vehicles of this type, failure to operate this vehicle correctly may result in loss of control or vehicle rollover.

Be sure to read the driving safety precautions later in this section.

## AVOIDING COLLISION AND ROLLOVER

### WARNING

**Failure to operate this vehicle in a safe and prudent manner may result in loss of control or an accident.**

Be alert and drive defensively at all times. Obey all traffic regulations. Avoid excessive speed, high speed cornering, or sudden steering maneuvers, because these driving practices could cause you to lose control of your vehicle. **As with any vehicle, a loss of control could result in a collision with other vehicles or objects, or cause the vehicle to rollover, particularly if the loss of control causes the vehicle to slide sideways.** Be attentive at all times, and avoid driving when tired. Never drive when under the influence of alcohol or drugs (including prescription or over-the-counter drugs which may cause drowsiness). Always wear your seat belt as outlined in the "Seats, restraints and supplemental air bag systems" section of this manual, and also instruct your passengers to do so.

Seat belts help reduce the risk of injury in

collisions and rollovers. **In a rollover crash, an unbelted person is significantly more likely to die than a person wearing a seat belt.**

## DRINKING ALCOHOL/DRUGS AND DRIVING

### WARNING

**Never drive under the influence of alcohol or drugs. Alcohol in the bloodstream reduces coordination, delays reaction time and impairs judgement. Driving after drinking alcohol increases the likelihood of being involved in an accident injuring yourself and others. Additionally, if you are injured in the accident, alcohol can increase the severity of the injury.**

NISSAN is committed to safe driving. However, you must choose not to drive under the influence of alcohol. Every year thousands of people are injured or killed in alcohol related accidents. Although the local laws vary on what is considered to be legally intoxicated, the fact is that alcohol affects all people differently and most people underestimate the effects of alcohol.

### 5-4 Starting and driving

Remember, drinking and driving don't mix!

And that's true for drugs, too (over the counter, prescription, and illegal drugs). Don't drive if your ability to operate your vehicle is impaired by alcohol, drugs, or some other physical condition.

## DRIVING SAFETY PRECAUTIONS

Your NISSAN is designed for both normal and offroad use. However, avoid driving in deep water or mud as your NISSAN is mainly designed for leisure use, unlike a conventional offroad vehicle.

Remember that two wheel drive models are less capable than four wheel drive models for rough road driving and extrication when stuck in deep snow or mud, or the like.

Please observe the following precautions:

### WARNING

- **Drive carefully when off the road and avoid dangerous areas. Every person who drives or rides in this vehicle should be seated with their seat belt fastened. This will keep you and your passengers in position**

**when driving over rough terrain.**

- **Do not drive across steep slopes. Instead drive either straight up or straight down the slopes. Off-road vehicles can tip over sideways much more easily than they can forward or backward.**
- **Many hills are too steep for any vehicle. If you drive up them, you may stall. If you drive down them, you may not be able to control your speed. If you drive across them, you may roll over.**
- **Do not shift gears while driving on downhill grades as this could cause loss of control of the vehicle.**
- **Stay alert when driving to the top of a hill. At the top there could be a drop-off or other hazard that could cause an accident.**
- **If your engine stalls or you cannot make it to the top of a steep hill, never attempt to turn around. Your vehicle could tip or roll over. Always back straight down in R (Reverse) gear. Never back down in N (Neutral)**

or with the clutch depressed (manual transmission vehicles), using only the brake, as this could cause loss of control.

- Heavy braking going down a hill could cause your brakes to overheat and fade, resulting in loss of control and an accident. Apply brakes lightly and use a low gear to control your speed.
- Unsecured cargo can be thrown around when driving over rough terrain. Properly secure all cargo so it will not be thrown forward and cause injury to you or your passengers.
- To avoid raising the center of gravity excessively, do not exceed the rated capacity of the roof rack (if so equipped) and evenly distribute the load. Secure heavy loads in the cargo area as far forward and as low as possible. Do not equip the vehicle with tires larger than specified in this manual. This could cause your vehicle to roll over.
- Do not grip the inside or spokes of the steering wheel when driving off-

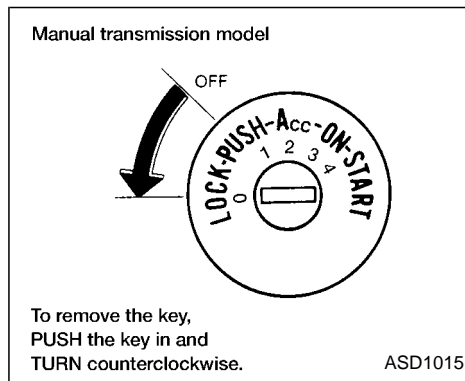
road. The steering wheel could move suddenly and injure your hands. Instead drive with your fingers and thumbs on the outside of the rim.

- Before operating the vehicle, ensure that the driver and all passengers have their seat belts fastened.
- Always drive with the floor mats in place as the floor may become hot.
- Lower your speed when encountering strong crosswinds. With a higher center of gravity, your NISSAN is more affected by strong side winds. Slower speeds ensure better vehicle control.
- Do not drive beyond the performance of the tires, even with 4WD engaged.
- Accelerating quickly, sharp steering maneuvers or sudden braking may cause loss of control.
- If at all possible, avoid sharp turning maneuvers, particularly at high speeds. Your NISSAN four wheel-drive vehicle has a higher center of gravity than a two wheel drive veh-

icle. The vehicle is not designed for cornering at the same speeds as conventional two wheel drive vehicles. Failure to operate this vehicle correctly could result in loss of control and/or a roll over accident.

- Always use tires of the same type, size, brand, construction (bias, bias-belted, or radial), and tread pattern on all four wheels. Install tire chains on the rear wheels when driving on slippery roads and drive carefully.
- Be sure to check the brakes immediately after driving in mud or water. See "Brake system" later in this section for "Wet brakes".
- Avoid parking your vehicle on steep hills. If you get out of the vehicle and it rolls forward, backward or sideways, you could be injured.
- Whenever you drive off-road through sand, mud or water as deep as the wheel hub, more frequent-maintenance may be required. See "Periodic maintenance" in the "Maintenance" section of this manual.

## IGNITION SWITCH



clockwise from the straight up position. To unlock the steering wheel, insert the key and turn it gently while rotating the steering wheel slightly right and left.

### WARNING

Never remove or turn the key to the LOCK position while driving. The steering wheel will lock. This may cause the driver to lose control of the vehicle and could result in serious vehicle damage or personal injury.

## MANUAL TRANSMISSION

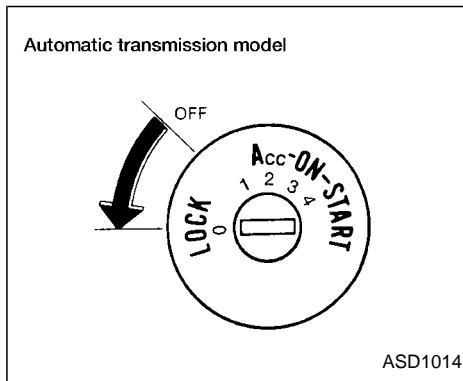
The ignition switch includes an anti-theft steering lock device.

The key can only be removed when the ignition switch is in the LOCK position.

On manual transmission models, to turn the ignition key to LOCK from ACC or ON, turn the key to OFF, push the key in, then turn the key to LOCK.

**To lock the steering wheel, turn the key to the LOCK position. Remove the key. In order for the steering wheel to be locked, it must be turned about 1/8 of a turn**





## AUTOMATIC TRANSMISSION

On automatic transmission models, the ignition lock is designed so the key cannot be turned to LOCK and removed until the shift selector lever is moved to the P (Park) position.

When removing the key from the ignition, make sure the shift selector lever is in the P (Park) position.

If the key cannot be turned to the LOCK position, proceed as follows to remove the key:

- 1) Move the shift selector lever into the P (Park) position.

- 2) Turn the ignition key slightly in the ON direction.
- 3) Turn the key toward the LOCK position.
- 4) Remove the key.

The shift lever is designed so it cannot be moved out of P (Park) and into any of the other gear positions if the ignition key is turned to OFF or if the key is removed from the switch.

**The shift lever can be moved if the ignition switch is in the ACC position. This allows the vehicle to be moved if the battery is discharged. The shift lever can also be moved if the ignition switch is in the ON position and the foot brake pedal is depressed.**

**There is an OFF position between the LOCK and ACC positions. The OFF position is indicated by a "1" on the key cylinder. When the ignition is in the OFF position, the steering wheel is not locked.**

To lock the steering wheel, turn the key to the LOCK position. Remove the key. In order for the steering wheel to be locked, it must be turned about 1/8 of a turn clockwise from the straight up position. To unlock the steering wheel, insert the key and turn it

gently while rotating the steering wheel slightly right and left.

### WARNING

**Never remove or turn the key to the LOCK position while driving. The steering wheel will lock. This may cause the driver to lose control of the vehicle and could result in serious vehicle damage or personal injury.**

## Key positions

LOCK Normal parking position (0)

OFF (Manual transmission model) (1)

The engine can be turned off without locking the steering wheel.

ACC (Accessories) (2)

This position activates electrical accessories such as the radio when the engine is not running. The shifter can be moved if the ignition switch is in ACC position.

ON (Normal operating position) (3)

This position turns on the ignition system and electrical accessories.

## BEFORE STARTING THE ENGINE

### START (4)

This position starts the engine. As soon as the engine has started, release the key. It automatically returns to the ON position.

- Make sure the area around the vehicle is clear.
- Check fluid levels such as engine oil, coolant, brake and clutch fluid, and window washer fluid as frequently as possible, at least whenever you refuel.
- Check that all windows and lights are clean.
- Visually inspect tires for their appearance and condition. Also check tires for proper inflation.
- Lock all doors.
- Position seat and adjust head restraints.
- Adjust inside and outside mirrors.
- Fasten seat belts and ask all passengers to do likewise.
- Check the operation of warning lights when key is turned to the ON (3) position. See "Warning/Indicator lights and chimes" in the "Instruments and controls" section.

## DRIVING WITH AUTOMATIC TRANSMISSION (if so equipped)

### WARNING

- **Do not depress the accelerator pedal while shifting from P (Park) or N (Neutral) to R (Reverse), D (Drive), 2 or 1. Always depress the brake pedal until shifting is completed. Failure to do so could cause you to lose control and have an accident.**
- **Cold engine idle speed is high, so use caution when shifting into a forward or reverse gear before the engine has warmed up.**
- **Never shift to P (Park) or R (Reverse) while the vehicle is moving. This could cause an accident.**

### CAUTION

- **When stopping the vehicle on an uphill grade, do not hold the vehicle by depressing the accelerator pedal. The foot brake should be used for this purpose.**
- **On slippery roads, do not downshift. This may cause a loss of control.**

The automatic transmission in your vehicle is electronically controlled by a transmission control module to produce maximum power and smooth operation.

The recommended operating procedures for this transmission are shown on the following pages. Follow these procedures for maximum vehicle performance and driving enjoyment.

## Starting the vehicle

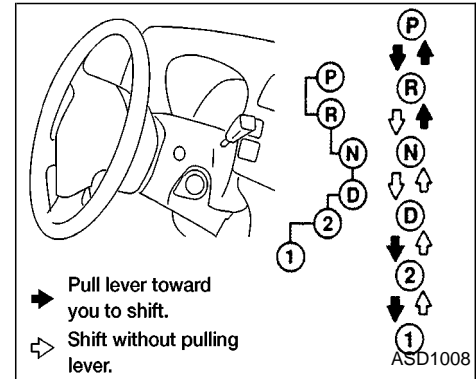
- After starting the engine, fully depress the foot brake pedal to ensure the vehicle is at a complete stop before attempting to shift the selector lever.
- Keep the foot brake pedal depressed and shift the selector lever into a driving gear.
- Release the foot brake, then gradually start the vehicle in motion.

**This automatic transmission is designed so the foot brake pedal MUST be depressed before shifting from P (Park) to any drive position while the ignition switch is ON.**

**The shift lever cannot be moved out of P (Park) and into any of the other gear positions if the ignition key is turned to**

**LOCK or if the key is removed.**

**If the battery charge is low, the shift lever can be moved if the ignition switch is in the ACC position.**



## Shifting with automatic transmission (KA24DE engine)

Pull the selector lever rearward to shift into P (Park), or R (Reverse) or from D (Drive) to 2 or 1.

P (Park):

Use this position when the vehicle is parked or when starting the engine. Always be sure the vehicle is at a complete stop. For maximum safety, depress the brake pedal, then move the selector lever to the P (Park) position. Apply the parking brake. When parking on a hill, apply the parking brake first, then shift the

selector lever into the P (Park) position.

#### Shifting from P (Park)

If the ignition switch is in the ON position and the foot brake pedal is depressed, but the shift lever still cannot be moved out of P (Park), use the following procedure:

1. Shut the engine off and remove the key.
2. Apply the parking brake.
3. Reinsert the key and turn it clockwise to the ACC position.
4. Depress the brake pedal, move the shift selector lever to N (Neutral).
5. Start the engine.

These instructions for starting the vehicle in N (Neutral) should only be used until service can be obtained at an authorized NISSAN dealership.

#### R (Reverse):

Use this position to back up. Shift into this position only after the vehicle has completely stopped.

#### N (Neutral):

Neither forward or reverse gear is engaged. The engine can be started in this position. You may shift to N (Neutral) and restart a stalled engine while the vehicle is moving.

#### D (Drive):

Use this position for normal forward driving.

#### 2 (Second gear):

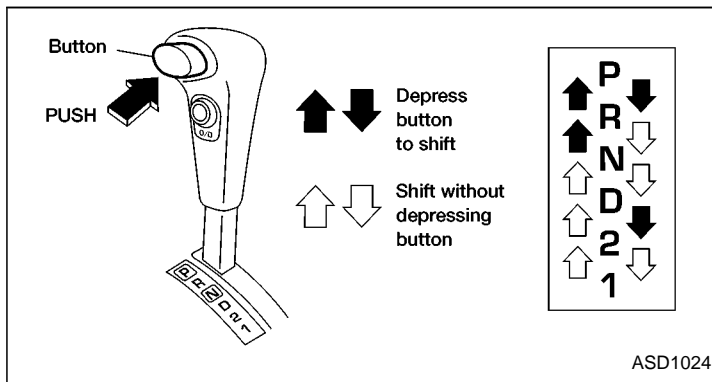
Use for moderate uphill grades engine braking on downhill grades or starting on slippery surfaces.

Do not downshift into the 2 position at speeds above 62 MPH (100 km/h), and do not exceed 62 MPH (100 km/h) in the 2 position.

#### 1 (Low gear):

Use this position for steep uphill grades, driving slowly through deep snow, sand or mud, or for maximum engine braking on steep downhill grades.

Do not downshift into the 1 position at speeds above 30 MPH (48 km/h), and do not exceed 30 MPH (48 km/h) in the 1 position.



## Shifting with automatic transmission (VG33E engine)

Push the button to shift into P (Park), R (Reverse) or from D (Drive) to 2. All other positions can be selected without pushing the button.

### P (Park):

Use this selector position when the vehicle is parked or when starting the engine. Always be sure the vehicle is at a complete stop. For maximum safety, depress the brake pedal, then push in the shift lever button and move the lever to the P (Park)

position. Apply the parking brake. When parking on a hill, apply the parking brake first, then shift the lever into the P (Park) position.

### Shifting from P (Park)

If the ignition switch is in the ON position and the foot brake pedal is depressed, but the shift selector lever still cannot be moved out of P (Park), follow these instructions.

1. Turn the ignition key to the LOCK position.
2. Apply the parking brake.

3. Reinsert the key and turn it to the ACC position.
4. Depress the foot brake pedal and move the shift selector lever to N (Neutral).
5. Start the engine.

These instructions for starting the vehicle in N (Neutral) should only be used until service can be obtained at an authorized NISSAN dealership.

### R (Reverse):

Use this position to back up. Always be sure the vehicle is at a complete stop before shifting into the R (Reverse) position. For maximum safety, check to ensure the area behind the vehicle is clear. With the brake pedal depressed, push in the shift selector lever button and move the shift selector lever to the R (Reverse) position.

### N (Neutral)

Neither forward nor reverse gear is engaged. The engine can be started in this position. You may shift to N (Neutral) and restart a stalled engine while the vehicle is moving.

### D (Drive):

Use this position for all normal forward driving.

### 2 (Second gear):

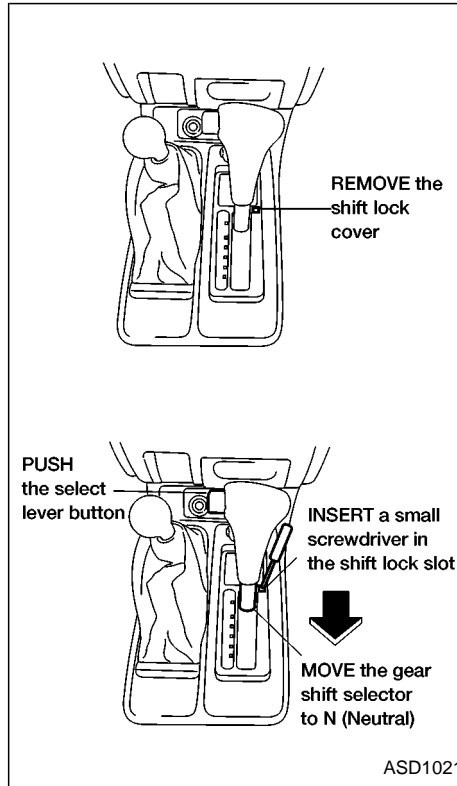
Use this position for hill climbing or engine braking on downhill grades.

Do not shift into the 2 position at speeds above 68 MPH (110 km/h). Do not exceed 68 MPH (110 km/h) in the 2 position.

### 1 (Low gear):

Use this position when climbing steep hills slowly or slow driving through deep snow, sand or mud, or for maximum engine braking on steep downhill grades.

Do not shift into the 1 position at speeds above 34 MPH (55 km/h). Do not exceed 34 MPH (55 km/h) in the 1 position.



## Selector lever lock release

If the battery charge is low, the selector lever may not be moved from the P position even with the brake pedal depressed and the selector lever button pushed.

To move the selector lever, push the shift lock release and selector lever button. The selector lever can be moved to N (Neutral).

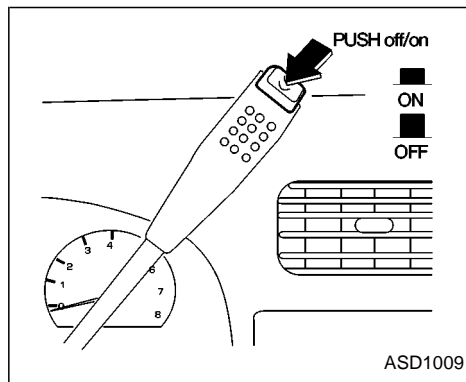
To push the shift lock release, follow the following procedure:

1. Turn the ignition key to the lock position and remove the key.
2. Apply the parking brake.
3. Remove the shift lock release cover.
4. Insert a small screwdriver in the shift lock release slot, and push down.
5. Push the selector lever button and move the selector lever to N (Neutral) position while holding down the shift lock release.
6. Start the engine.


If there is any problem moving the selector lever out of P (Park), take your vehicle to an authorized NISSAN dealership as soon as possible.

## Accelerator downshift In D position


For rapid passing or hill climbing, while driving fully depress the accelerator pedal to the floor. This shifts the transmission down into second gear or first gear, depending on the vehicle speed.




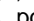
### OVERDRIVE SWITCH (KA24DE engine)


**ON:** For typical driving, push the overdrive switch ON  with the selector lever in the D (Drive) position. The transmission is upshifted into OVERDRIVE as the vehicle speed increases.

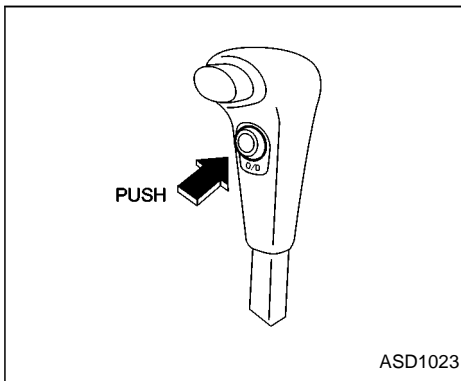
**OVERDRIVE does not engage until the engine has reached operating temperature.**

**OFF:** For driving up and down long slopes where engine braking is necessary, push the switch OFF . The indica-

tor light in the instrument panel comes on at this time. When cruising at a low speed or climbing a gentle slope, you may feel uncomfortable shift shocks as the transmission repeatedly shifts between 3rd and overdrive. In this case, set the overdrive switch in the OFF  position.

When driving conditions change, reset the overdrive switch in the ON  position to turn the overdrive on. The indicator light goes out at this time.

Remember not to drive at high speeds for extended periods of time with the overdrive switch set in the OFF  position. This reduces fuel economy.



## OVERDRIVE SWITCH (VG33E engine)

**ON:** With the engine running and the selector lever in the D (Drive) position, the transmission upshifts into OVERDRIVE as vehicle speed increases.

**OVERDRIVE does not engage until the engine has reached operating temperature.**

**OFF:** For driving up and down long slopes where engine braking is necessary push the OVERDRIVE switch once. The O/D OFF indicator light in the

instrument panel comes on at this time.

When cruising at a low speed or climbing a gentle slope, you may feel uncomfortable shift shocks as the transmission shifts between third gear and overdrive repeatedly. In this case, depress the OVERDRIVE switch to turn the OVERDRIVE off. The O/D OFF indicator light in the instrument panel comes on at this time.

When driving conditions change, depress the overdrive switch to turn the OVERDRIVE on.

Remember not to drive at high speeds for extended periods of time with the OVERDRIVE off. This reduces fuel economy.

## DRIVING WITH MANUAL TRANSMISSION

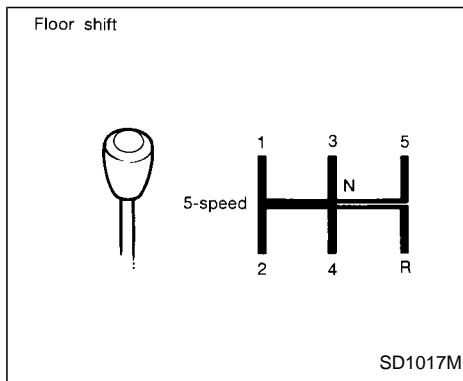
### **WARNING**

- **Do not downshift abruptly on slippery roads. This may cause a loss of control.**
- **Do not over-rev the engine when shifting to a lower gear. This may cause a loss of control or engine damage.**

### **CAUTION**

- **Do not rest your foot on the clutch pedal while driving. This may cause clutch damage.**
- **Stop your vehicle completely before shifting into R (Reverse).**
- **When the vehicle is stopped with the engine running (for example at a stop light), shift to N (Neutral) and release the clutch pedal with the foot brake applied.**





## Shifting with manual transmission

To change gears, or when up shifting or down shifting, depress the clutch pedal fully, shift into the appropriate gear, then release the clutch slowly and smoothly.

You cannot shift directly from 5th gear into R (Reverse). First shift into the N (Neutral) position, then into R (Reverse).

If it is difficult to move the shift lever into R (Reverse) or 1st, shift into N (Neutral), then release the clutch pedal. Depress the clutch pedal and shift into R (Reverse) or 1st again.

If your vehicle is equipped with 4-wheel drive, see “**4x4** Transfer case shifting procedures for four-wheel drive vehicles” later in this section.

## Suggested up-shift speeds

The following table provides suggested speed ranges for shifting into a higher gear. These suggestions relate to fuel economy and vehicle performance. Actual shift ranges should be adjusted for specific road conditions, weather conditions and individual driving habits.

- Two-wheel drive models and four-wheel drive models (2H and 4H position):

Shift from	MPH (km/h)
1st to 2nd	15 (24)
2nd to 3rd	25 (40)
3rd to 4th	40 (64)
4th to 5th	45 (72)

- 4-wheel drive model (4L position):

Shift from	MPH (km/h)
1st to 2nd	8 (13)
2nd to 3rd	12 (19)
3rd to 4th	20 (32)
4th to 5th	22 (35)

## Suggested maximum speed in each gear

Downshift to a lower gear if the engine is not running smoothly, or if you need to accelerate.

Do not exceed the maximum suggested speed (shown below) in any gear. For level road driving, use the highest gear suggested for that speed. Always observe posted speed limits, and drive according to the road conditions, which will ensure safe operation.

Allowable maximum speed in each gear:

2-wheel drive models	MPH (km/h)
1st	30 (48)
2nd	55 (88)
3rd	80 (129)
4th & 5th	– (–)

4-wheel drive models	MPH (km/h)
2H/4H position	
1st	25 (40)
2nd	43 (69)
3rd	68 (109)
4th & 5th	– (–)
4L position	
1st	12 (19)
2nd	22 (35)
3rd	30 (48)
4th & 5th	– (–)

## STARTING THE ENGINE

1. Apply the parking brake.
2. **Automatic transmission:**

Move the selector lever to P (Park) or N (Neutral). P (Park) is preferred.

**The shift lever cannot be moved out of P (Park) and into any of the other gear positions if the ignition key is turned to OFF or if the key is removed from the ignition switch.**

The starter is designed not to operate if the selector lever is in one of the driving positions.

### **Manual transmission:**

Move the gearshift lever to N (Neutral), and fully depress the clutch pedal to the floor while starting the engine.

**The starter is designed not to operate unless the clutch pedal is fully depressed.**

3. **With your foot off the accelerator pedal**, turn the ignition key to START. Release the key when the engine starts. If the engine starts, but fails to run, repeat the above procedure.

- If the engine is very hard to start in extremely cold or hot weather, depress the accelerator pedal fully and hold it to help start the engine.
- In the summer, when restarting the engine within 30 minutes after it has been stopped, keep the accelerator pedal fully depressed while starting.

### CAUTION

**Do not operate the starter for more than 15 seconds at a time. If the engine does not start, turn the key off and wait 10 seconds before cranking again, otherwise the starter could be damaged.**

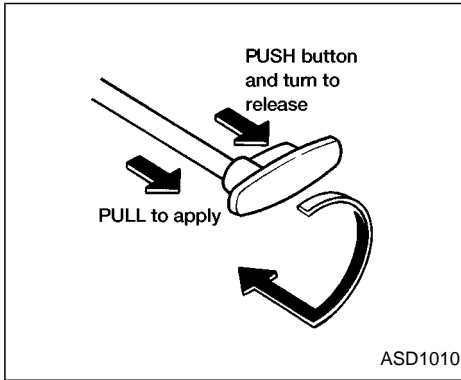
### 4. **Warm-up**

Always allow the engine to idle for at least 30 seconds after starting. Drive at a moderate speed for a short distance first, especially in cold weather.

## PARKING BRAKE OPERATION

### WARNING

- Be sure the parking brake is fully released before driving. Failure to do so can cause brake failure and lead to an accident.
- Do not release the parking brake from outside the vehicle.
- Do not use the gear shift in place of the parking brake. When parking, be sure the parking brake is fully engaged.
- Do not leave children unattended in a vehicle. They could release the parking brake and cause an accident.



button, turn the lever and push it in completely.

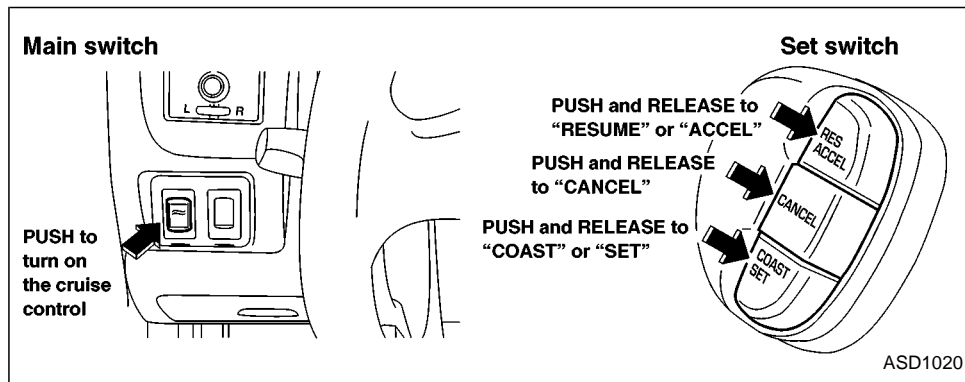
4. Before driving, be sure the brake warning light goes out.

**To apply:** pull the lever out.

**To release:**

1. Firmly apply foot brake.
2. Manual transmission models:  
Place the gearshift in the N (Neutral) position.  
  
Automatic transmission models:  
Move the shift selector lever to the P (Park) position.
3. While pulling out on the parking brake lever slightly, push and hold the release

## CRUISE CONTROL (if so equipped)



### Precautions

- The cruise indicator light in the instrument panel may blink when the cruise control main switch is turned ON while pushing the RES/ACCEL, COAST/SET, or CANCEL switch. To properly set the cruise control system, perform the following steps in the order indicated.
- If the cruise control system malfunctions, it cancels automatically. The CRUISE light in the instrument panel then blinks to warn the driver.
- If the cruise light blinks, turn the cruise

### 5-18 Starting and driving

control main switch off and have the system checked by an authorized NISSAN dealer.

### **WARNING**

**Do not use the cruise control when driving under the following conditions:**

- **When it is not possible to keep the vehicle at a set speed.**
- **In heavy traffic or in traffic that varies in speed.**
- **On winding or hilly roads.**

- On slippery roads (rain, snow, ice, etc.).
- In very windy areas.

Doing so could cause a loss of vehicle control and result in an accident.

### **CAUTION**

On manual transmission models, do not shift into N (Neutral) without depressing the clutch pedal when the cruise control is set. Should this occur, depress the clutch pedal and turn the main switch off immediately. Failure to do so may cause engine damage.

The cruise control allows driving at a fixed speed between 30 and 90 MPH (48 and 145 km/h) without keeping your foot on the accelerator pedal.

**To turn on the cruise control**, push the main switch on. The CRUISE CONT indicator light comes on.

**To set at cruising speed**, accelerate your vehicle to the desired speed, push the COAST/SET switch and release it. The CRUISE light in the instrument panel comes

on. Take your foot off the accelerator pedal. Your vehicle maintains the set speed.

**To pass another vehicle**, depress the accelerator pedal. When you release the pedal, the vehicle returns to the previously set speed.

- The vehicle may not maintain the set speed when going up or down steep hills. If this happens, drive without the cruise control.

**To cancel the preset speed**, use one of the following three methods:

- a) Push the CANCEL button; the CRUISE light in the instrument panel goes out.
- b) Tap the brake pedal; the CRUISE light goes out.
- c) Turn the main switch off. Both the CRUISE CONT and CRUISE lights go out.

The cruise control is automatically cancelled and the CRUISE light goes out if:

- you depress the brake pedal while pushing the RES/ACCEL set switch.
- the vehicle slows down more than 8 MPH (13 km/h) below the set speed.

- you depress the clutch pedal (manual transmission), or move the shift lever to the N (Neutral) position (automatic transmission).

**To reset at a faster cruising speed**, use one of the following three methods:

- a) Depress the accelerator pedal. When the vehicle attains the desired speed, push and release the COAST/SET switch.
- b) Push and hold the RES/ACCEL set switch. When the vehicle attains the speed you desire, release the switch.
- c) Push, and release the RES/ACCEL set switch. Each time you do this, the set speed increases by about 1 MPH (1.6 km/h).

**To reset at a slower cruising speed**, use one of the following three methods:

- a) Lightly tap the brake pedal. When the vehicle attains the desired speed, push the COAST/SET switch and release it.
- b) Push and hold the COAST/SET switch. Release the switch when the vehicle slows down to the desired speed.
- c) Push, and release the COAST/SET

switch. Each time you do this, the set speed decreases by about 1 MPH (1.6 km/h).

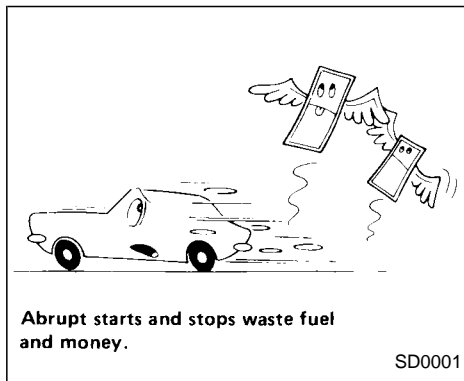
**To resume the preset speed**, push and release the RES/ACCEL switch. The vehicle returns to the last set cruising speed when the vehicle speed is over 30 MPH (48 km/h).

## BREAK-IN SCHEDULE

During the first 1,000 miles (1,609 km), follow these recommendations for the future reliability and economy of your new vehicle. Failure to follow these recommendations may result in vehicle damage or shortened engine life.

- Do not run the engine over 4,000 rpm.
- Do not drive over the following speed limits:
  - two-wheel drive models:  
55 MPH (88 km/h)
  - four-wheel drive models (2H or 4H position):  
55 MPH (88 km/h)
  - four-wheel drive models (4L position):  
30 MPH (48 km/h)
- Do not accelerate at full throttle in any gear.
- Avoid quick starts.
- Avoid hard braking as much as possible.
- Do not tow a trailer for the first 500 miles (805 km).

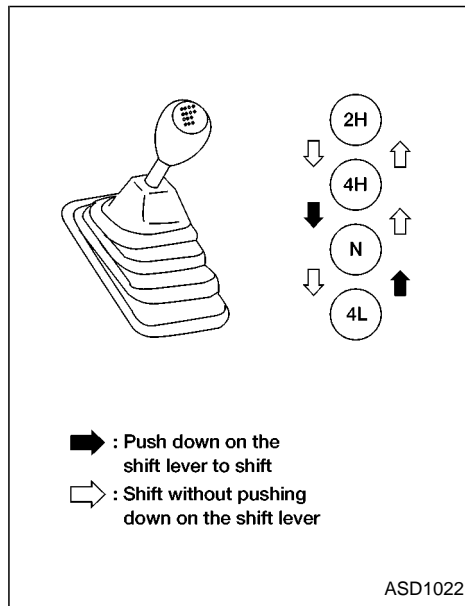
## INCREASING FUEL ECONOMY



- Accelerate slowly and smoothly. Maintain cruising speeds with a constant accelerator position.
- Drive at moderate speeds on the highway. Driving at high speeds lowers fuel economy.
- Avoid unnecessary stopping and braking. Maintain a safe distance behind other vehicles.
- Use a proper gear range which suits road conditions. On level roads, shift into high gear as soon as possible.
- Avoid unnecessary engine idling.

- Keep your engine tuned up.
- Follow the recommended periodic maintenance schedule.
- Keep the tires inflated to the correct pressure. Low tire pressure increases tire wear and wastes fuel.
- Keep the front wheels in correct alignment. Improper alignment increases tire wear and lowers fuel economy.
- Air conditioner operation lowers fuel economy. Use the air conditioner only when necessary.
- When cruising at highway speeds, it is more economical to use the air conditioner and leave the windows closed to reduce drag.
- **4x4**  
Use 4H or 4L position only when necessary. Four-wheel drive operation lowers fuel economy.

## 4x4 TRANSFER CASE SHIFTING PROCEDURES FOR 4-WHEEL DRIVE VEHICLES



### ⚠ CAUTION

**Do not drive on dry hard surface roads in four-wheel drive. Driving on dry hard surfaces in 4H or 4L may cause unnecessary noise, tire wear, and increased fuel consumption. NISSAN recommends driving in the 2H position under these conditions.**

### ⚠ WARNING

- **When parking the vehicle, apply the parking brake and always make sure to shift the transfer control lever into the 2H, 4H or 4L position.**
- **Do not leave the transfer control lever in the N (Neutral) position. Otherwise, the vehicle could roll unexpectedly even if the manual transmission is in gear or the automatic transmission is in the P (Park) position.**
- **Failure to engage the transfer control lever in 2H, 4H, or 4L could result in the vehicle moving unexpectedly, resulting in serious personal injury or property damage.**

**2H** — (2WD, high range) Only the rear wheels are driven. Use for driving under the same conditions as standard 2WD vehicles or state dynamometer I/M testing.

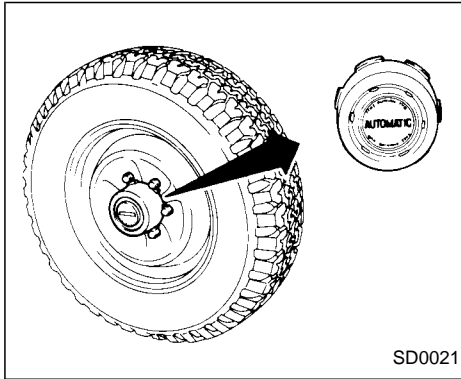
**4H** — (4WD, high range) Four wheels are driven. Use when driving on roads where it is difficult to drive in the 2H position (i.e., driving at normal speeds on snow covered, icy, wet, muddy or sandy roads).

**4L** — (4WD, low range) Four wheels are driven. Use when climbing or descending steep hills, or during hard driving in sand, mud or deep snow. The 4L position provides maximum power and traction. Avoid raising vehicle speed excessively, as the maximum speed is approximately 30 MPH (48 km/h).

**N** — No wheels are driven. Always keep the transfer lever out of the N (Neutral) position. Shift the lever quickly and smoothly when moving across the N (Neutral) position with the vehicle stopped.

Your NISSAN is equipped with one of two 4WD systems, auto-lock free-running hubs or manual-lock free-running hubs.

## 4x4 AUTO-LOCK FREE-RUNNING HUBS



The auto-lock free-running hub is designed to allow for automatic four-wheel drive engagement when the shift lever is moved to the 4H or 4L position. If your vehicle is equipped with this system, follow these operational cautions:

### CAUTION

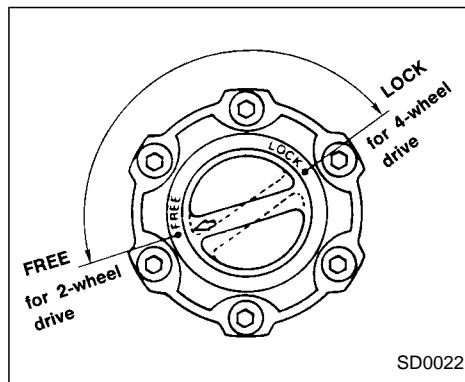
- The auto-locking hubs will make a clicking noise when engaging and disengaging. This is normal.

- Accelerating quickly from a stop after shifting from two-wheel drive to four-wheel drive may not allow engagement of the auto-locking free-running hubs and may cause a clattering noise. Continued use of the vehicle with this noise may damage the hub lock. In such a case, release the accelerator pedal to reduce the engine speed or stop the vehicle.
  - If the auto-locking hubs make a clattering noise after shifting from four-wheel drive to two-wheel drive, stop and move the vehicle about 7 to 10 feet (2 to 3 m) in reverse.
  - Under extremely cold conditions [below 5°F (-15°C)], the front axle shafts may rotate even with the transfer lever in the 2H position. If this occurs, the auto-locking hubs may make a clattering noise. To avoid this, drive first in four-wheel drive to warm up the vehicle and differential gear oil. Then, shift to two-wheel drive.
- In cold weather, it may be necessary to reduce speed or stop the vehicle in order to shift from two-wheel drive to four-wheel drive.
  - When shifting into or out of four-wheel drive while driving, do not stop shift lever movement midway. An incomplete shift may cause a clattering noise from the auto-locking hubs. Continued use of the vehicle with this noise may damage the hub lock. Drive in four-wheel drive to stop the noise. Shift to two-wheel drive as described.



TO SHIFT TRANSFER CASE:	SHIFT PROCEDURE FOR AUTO-LOCK FREE-RUNNING HUBS
From 2H to 4H	Move the transfer lever to 4H at speeds below 25 MPH (40 km/h). It is not necessary to depress the clutch pedal. Perform this operation when driving straight.
From 4H to 2H	<p>Move the transfer lever to 2H. This can be done at any speed, and it is not necessary to depress the clutch pedal. Perform this operation when driving straight.</p> <p><b>NOTE:</b>  <b>AUTO-LOCK hubs will not disengage until the vehicle is moved about 3 feet (1 m) in the opposite direction of travel:</b></p> <ul style="list-style-type: none"> <li>● <b>When driving forward, stop and move the vehicle 3 feet (1 m) in reverse.</b></li> <li>● <b>When backing up, stop and move 3 feet (1 m) forward, then move the vehicle about 3 feet (1 m) in reverse. Disengaging the AUTO LOCK hubs will allow for better fuel economy, quieter ride and less component wear.</b></li> </ul>
From 4H to 4L or 4L to 4H	<ol style="list-style-type: none"> <li>1. Stop the vehicle.</li> <li>2. Depress the clutch pedal, or place the selector lever in the N (Neutral) position.</li> <li>3. Depress the transfer lever and move it to the 4L or 4H position. Change gears quickly and smoothly.</li> </ol>
From 2H to 4L	<ol style="list-style-type: none"> <li>1. Stop the vehicle.</li> <li>2. Depress the clutch pedal, or place the selector lever in the N (Neutral) position.</li> <li>3. Depress the transfer lever and move it to 4L. Change gears quickly and smoothly.</li> </ol>
From 4L to 2H	<ol style="list-style-type: none"> <li>1. Stop the vehicle.</li> <li>2. Depress the clutch pedal, or place the selector lever in the N (Neutral) position.</li> <li>3. Depress the transfer lever and move it to 2H. Change gears quickly and smoothly.</li> </ol> <p><b>NOTE:</b>  <b>Follow the NOTE shown in shifting from 4H to 2H.</b></p>

## 4x4 MANUAL-LOCK FREE-RUNNING HUBS



The manual-lock free-running hubs are designed to allow you to engage or disengage the front drive shaft to the front wheels. Before driving, set the free-running hub to the desired position:

- two-wheel operation — Turn the knob to the FREE position.
- four-wheel operation — Turn the knob to the LOCK position.

Be certain to align the ◊ mark on the knob with the ● mark on the wheel hub.

### ⚠ CAUTION

- Never drive in four-wheel drive (4H or 4L) with the manual lock free-running hubs in the FREE position.
- Do not drive your vehicle with the left and right manual lock free-running hubs set to different positions.
- To ensure proper lubrication of front drive components, drive in the LOCK position for at least 10 miles (16 km) each month.

TO SHIFT TRANSFER CASE:	SHIFT PROCEDURE FOR MANUAL-LOCK FREE-RUNNING HUBS
From 2H to 4H	<ol style="list-style-type: none"> <li>1. Stop the vehicle.</li> <li>2. Set both free-running hubs in the LOCK position.</li> <li>3. Move the transfer lever to 4H. It is not necessary to depress the clutch pedal.</li> </ol>
From 4H to 2H	<p>Move the transfer lever to 2H. This can be done at any speed, and it is not necessary to depress the clutch pedal. Perform this operation when driving straight.</p> <p><b>NOTE:</b>  <b>For two-wheel drive operation, set the free-running hubs in the FREE position. Disengaging the MANUAL LOCK hubs will allow for better fuel economy, quieter ride and less component wear.</b></p>
From 4H to 4L or 4L to 4H	<ol style="list-style-type: none"> <li>1. Stop the vehicle.</li> <li>2. Depress the clutch pedal, or place the selector lever in the P (Park) position.</li> <li>3. Depress the transfer lever and move it to the desired 4L or 4H position. Change gears quickly and smoothly.</li> </ol>
From 2H to 4L	<ol style="list-style-type: none"> <li>1. Stop the vehicle.</li> <li>2. Set free-running hubs in the LOCK position.</li> <li>3. Depress the clutch pedal, or place the selector lever in the P (Park) position.</li> <li>4. Depress the transfer lever and move it to 4L. Change gears quickly and smoothly.</li> </ol>
From 4L to 2H	<ol style="list-style-type: none"> <li>1. Stop the vehicle.</li> <li>2. Depress the clutch pedal, or place the selector lever in the P (Park) position.</li> <li>3. Depress the transfer lever and move it to 2H. Change gears quickly and smoothly.</li> </ol> <p><b>NOTE:</b>  <b>Follow the NOTE shown in shifting from 4H to 2H.</b></p>

## **4x4** TIRES OF FOUR-WHEEL DRIVE

### CAUTION

**Always use tires of the same type, size, brand, construction (bias, bias-belted or radial), and tread pattern on all four wheels. Failure to do so may result in a circumference difference between tires on the front and rear axles which will cause excessive tire wear and may damage the transmission, transfer case and differential gears.**

If excessive tire wear is found, it is recommended that all four tires be replaced with tires of the same size, brand, construction and tread pattern. The tire pressure and wheel alignment should also be checked and corrected as necessary. Contact an authorized NISSAN dealer.

### Snow tires

If you install snow tires, they must also be the same size, brand, construction and tread pattern on all four wheels.

### Tire inflation pressure

Periodically check the pressure in all tires, including the spare, with a gauge. Adjust to the specified pressure if necessary. Tire

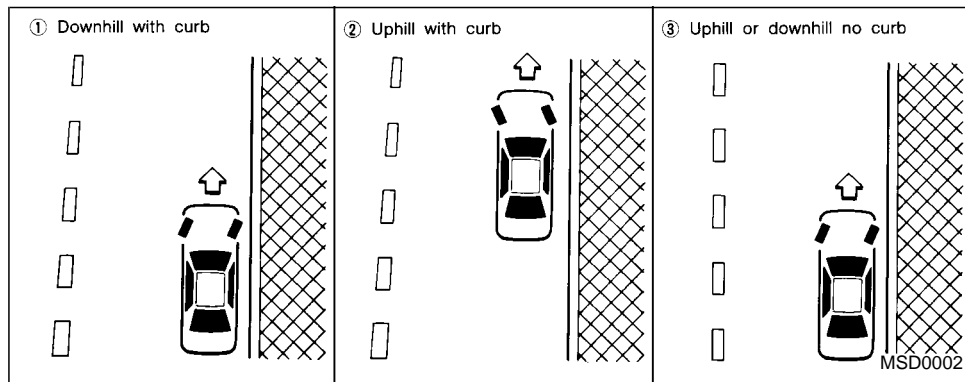
pressures are shown on the tire placard affixed to the glove box.

### Tire chain

**Tire chains must be installed only on the rear wheels and not on the front wheels.**

Do not drive with tire chains on paved roads which are clear of snow. Driving with chains in such conditions can cause damage to the various mechanisms of the vehicle due to some overstress. When driving on clear paved roads, be sure to change to 2WD.

## PARKING/PARKING ON HILLS



### **⚠ WARNING**

- Do not park the vehicle over flammable materials such as dry grass, waste paper or rags. They may ignite and cause a fire.
- **4x4** The transfer control lever must be in the 2H, 4H or 4L position and the parking brake set to prevent the vehicle from rolling.
- Never place the transfer control lever in the N (Neutral) position. Otherwise, the vehicle could roll unex-

pectedly even if the manual transmission is in gear or the automatic transmission is in the P (Park) position. This could result in serious injury or property damage.

- Safe parking procedures require that both the parking brake be set and the transmission placed into P (Park) for automatic transmission models or in an appropriate gear for manual transmissions models. Failure to do so could cause the vehicle to move unexpectedly or roll away and result

in an accident. Make sure the shift lever has been pushed as far forward as it can go and cannot be moved without depressing the button at the end of the lever.

- Never leave children unattended in the vehicle.
- Do not leave children unattended inside the vehicle. They could unknowingly activate switches or controls. Unattended children could become involved in serious accidents.
- If the ATP lamp is ON, this indicates that the automatic transmission P (park) position will not function and the transfer control lever is in the N (neutral) position. Failure to engage the transfer control lever in the 2H, 4H or 4L position could result in the vehicle moving unexpectedly, resulting in serious personal injury or property damage.

1. Firmly apply the parking brake.
2. **Manual transmission models:**

Place the gearshift lever in the R (Re-

## POWER STEERING SYSTEM

verse) position. When parking on an uphill grade, place the gearshift lever in the 1st position.

### Automatic transmission models:

Move the gearshift lever to the P (Park) position.

3. To help prevent the vehicle from rolling into the street when parked on an incline, it is a good practice to turn the wheels as illustrated.

- **HEADED DOWNHILL WITH CURB: ①**

Turn the wheels into the curb and move the vehicle forward until the curb side wheel gently touches the curb.

- **HEADED UPHILL WITH CURB: ②**

Turn the wheels away from the curb and move the vehicle back until the curb side wheel gently touches the curb.

- **HEADED UPHILL OR DOWNHILL, NO CURB: ③**

Turn the wheels toward the side of the road so the vehicle will move away from the center of the road if it moves.

4. Turn the ignition key to the LOCK position and remove the key.

## 5-28 Starting and driving

## BRAKE SYSTEM

The brake system has two separate hydraulic circuits. If one circuit develops a problem, you will still have braking at two wheels.

### Vacuum assisted brakes

The brake booster aids braking by using engine vacuum. If the engine stops, you can stop the vehicle by depressing the brake pedal. However, greater foot pressure on the brake pedal will be required to stop the vehicle and stopping distance will be longer.

### Wet brakes

When the vehicle is washed or driven through water, the brakes may get wet. As a result, your braking distance will be longer and the vehicle may pull to one side during braking.

To dry the brakes, drive the vehicle at a safe speed while lightly pressing the brake pedal to heat the brakes. Do this until the brakes return to normal. Avoid driving the vehicle at high speeds until the brakes function correctly.

The power assisted steering is designed to use a hydraulic pump, driven by the engine, to assist steering.

If the engine stops or drive belt breaks, you will still have control of the vehicle. However, much greater steering effort is needed, especially in sharp turns and at low speeds.

### WARNING

**If the engine is not running or is turned off while driving, the power assist for the steering will not work. Steering will be much harder to operate.**

## ANTI-LOCK BRAKE SYSTEM (ABS)

### Using the brakes

Avoid resting your foot on the brake pedal while driving. This will overheat the brakes, wear out the brake linings and pads faster, and reduce gas mileage.

To help reduce brake wear, and to prevent the brakes from overheating, reduce speed and downshift to a lower gear before going down a slope or long grade.

#### WARNING

- **While driving on a slippery surface, be careful when braking, accelerating or downshifting. Abrupt braking or accelerating could cause the wheels to skid and result in an accident.**
- **If the engine is not running or is turned off while driving, the power assist for the brakes will not work. Braking will be harder.**

### Normal Operation

The anti-lock brake system does not operate at speeds below 3 to 6 MPH (5 to 10 km/h). (The speeds vary according to road conditions.)

When driving, the anti-lock brake system controls the wheels so they will not lock when braking abruptly or when braking on a slippery road. Thus, difficult steering and swerving of the vehicle due to locked wheels is minimized. The system detects the wheel rotation rate and electronically controls the pressure applied to each brake. Slight vibration on the brake pedal accompanied by noise usually occurs while the ABS system is operating. Such vibration and noise encountered during abrupt braking is not a problem, but indicates that the system is functioning.

### Self-test feature

The anti-lock brake system consists of electronic sensors and hydraulic solenoids controlled by a computer. The computer has a built-in diagnostic feature that tests the system each time you start the engine and move the vehicle at a low speed in forward or reverse. When the self-test occurs, you

may hear a “clunk” noise and/or feel a pulsation in the brake pedal. This is normal and is not an indication of any malfunction. If the computer senses any malfunction, it switches the anti-lock brake system off and turns on the ABS brake warning light in the dashboard. The brake system then operates normally, but without anti-lock assistance.

If an abnormality occurs in the system, the anti-lock function will cease but the ordinary brakes will continue to operate normally. The ABS brake warning light will then come on.

**If the light comes on while you are driving, contact an authorized NISSAN dealer for repair.**

### Using the system (4 wheel ABS)

Depress the brake pedal and hold it down.

#### WARNING

**Do not pump the brake pedal. Doing so may result in increased stopping distances.**

Using the system (2 wheel Rear ABS)

Depress the brake pedal and hold it down.

With the rear anti-lock brake system, the front wheels can still lock. If this happens, release the brake pedal slightly and then reapply pressure.

 **WARNING**

**The anti-lock brake system is a sophisticated device, but it cannot prevent accidents resulting from careless or dangerous driving techniques. It can help maintain vehicle control during braking on slippery surfaces, but remember that the stopping distance on slippery surfaces will be longer than on normal surfaces even with the anti-lock brake system. Stopping distances may also be longer on rough, gravel, or snow covered roads, or if you are using tire chains. Always maintain a safe distance from the vehicle in front of you. Ultimately, the responsibility for safety of self and others rests in the hands of the driver.**

**Tire type and condition may also affect braking effectiveness.**

- **When replacing tires, install the specified size of tires on all four wheels.**
- **When installing a spare tire, make sure it is the proper size and type as specified on the tire placard. For tire placard location information, refer to “Tire placard” in the “Technical and consumer information” section of this manual.**

For additional information, refer to “Wheels and Tires” in the “Do-it-yourself” section of this manual.

## COLD WEATHER DRIVING

### Freeing a frozen door lock

To prevent a door lock from freezing, apply de-icer or glycerin through the key hole. If the lock becomes frozen, heat the key before inserting it in the key hole.

### Anti-freeze

In the winter when it is anticipated that the temperature will drop below 32°F (0°C), check anti-freeze (ethylene glycol base) to assure proper winter protection. For details, see “Engine cooling system” in the “Do-it-yourself” section of this manual.

### Battery

If the battery is not fully charged during extremely cold weather conditions, the battery fluid may freeze and damage the battery. To maintain maximum efficiency, the battery should be checked regularly. For details, see “Battery” in the “Do-it-yourself” section of this manual.

### Draining of coolant water

If the vehicle is to be left outside without anti-freeze, drain the cooling system by opening the drain valves located under the radiator and on the engine block. Refill



before operating the vehicle. For details, see “Changing engine coolant” in the “Do-it-yourself” section of this manual.

## Tire equipment

1. SUMMER tires have a tread designed to provide superior performance on dry pavement. However, the performance of these tires will be substantially reduced in snowy and icy conditions. If you operate your vehicle on snowy or icy roads, NISSAN recommends the use on all four wheels of MUD & SNOW or ALL SEASON tires. Please consult your NISSAN dealer for the tire type, size, speed rating and availability information.
2. For additional traction on icy roads, studded tires may be used. However, some U.S. states and Canadian provinces prohibit their use. Check local, state and provincial laws before installing studded tires.

**Skid and traction capabilities of studded snow tires on wet or dry surfaces may be poorer than that of non-studded snow tires.**

3. Tire chains may be used. Use of tire chains may be prohibited according to

location. Check the local laws before installing tire chains. When installing tire chains, make sure they are of proper size for the tires on your vehicle and are installed according to the chain manufacturer’s suggestions. **Use only SAE Class “S” chains.** Other types may damage your vehicle. Use chain tensioners when recommended by the tire chain manufacturer to ensure a tight fit. Loose end links of the tire chain must be secured or removed to prevent the possibility of whipping action damage to the fenders or undercarriage. If possible, avoid fully loading your vehicle when using tire chains. In addition, drive at a reduced speed, otherwise, your vehicle may be damaged and/or vehicle handling and performance may be adversely affected. Never install tire chains on a TEMPORARY USE ONLY spare tire. Do not use tire chains on dry roads.

## Special winter equipment

It is recommended that the following items be carried in the vehicle during winter:

1. A scraper and stiff-bristled brush to remove ice and snow from the windows and wiper blades.

2. A sturdy, flat board to be placed under the jack to give it firm support.
3. A shovel to dig the vehicle out of snow-drifts.
4. Extra window washer fluid to refill the reservoir tank.

## Driving on snow or ice

### WARNING

- **Wet ice (32°F, 0°C and freezing rain), very cold snow, or ice can be slick and very hard to drive on. The vehicle will have much less traction or “grip” under these conditions. Try to avoid driving on wet ice until the road is salted or sanded.**
- **Whatever the condition, drive with caution. Accelerate and slow down with care. If accelerating or downshifting too fast, the drive wheels will lose even more traction.**
- **Allow more stopping distance under these conditions. Braking should be started sooner than on dry pavement.**
- **Allow greater following distances on slippery roads.**

- **Watch for slippery spots (glare ice).** These may appear on an otherwise clear road in shaded areas. If a patch of ice is seen ahead, brake before reaching it. Try not to brake while actually on the ice, and avoid any sudden steering maneuvers.
- **Do not use the cruise control on slippery roads.**
- **Snow can trap dangerous exhaust gases under your vehicle. Keep snow clear of the exhaust pipe and from around your vehicle.**

### Engine block heater (if so equipped)

An engine block heater to assist extreme cold temperature starting is available through an authorized NISSAN dealer.

#### **WARNING**

**Do not use your heater with an ungrounded electrical system or two-pronged (cheater) adapters. You can be injured by an electrical shock if you use an ungrounded connection.**

# 6 In case of emergency

Flat tire .....	6-2
Pantograph type jack .....	6-5
Jump starting .....	6-8
Push starting.....	6-9
If your vehicle overheats .....	6-10

Tow truck towing .....	6-11
Two-wheel drive models .....	6-12
Four-wheel drive models.....	6-12
Vehicle recovery (freeing a stuck vehicle) .....	6-13




## FLAT TIRE

If you have a flat tire, follow the instructions below:

### Stopping the vehicle

1. Safely move the vehicle off the road and away from traffic.
2. Turn on the hazard warning flashers.
3. Park on a level surface and apply the parking brake. Shift the manual transmission into R (Reverse), or the automatic transmission into P (Park).

#### WARNING

-  The transfer control lever must be in the 2H, 4H or 4L position.
- Do not leave the transfer control lever in the N (Neutral) position. Otherwise, the vehicle could roll unexpectedly even if the manual transmission is in any gear or the automatic transmission is in the P (Park) position. This could result in serious personal injury or property damage.

4. Turn off the engine.
5. Raise the hood to warn other traffic and to signal professional road assistance

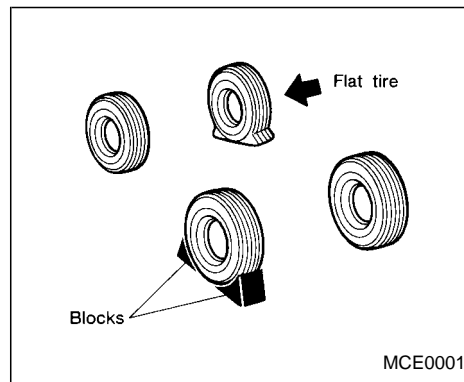
### 6-2 In case of emergency

personnel that you require assistance.

6. Have all passengers get out of the vehicle and stand in a safe place away from traffic and clear of the vehicle.

#### WARNING

- Make sure the parking brake is securely applied and the manual transmission is shifted into R (Reverse), or the automatic transmission into P (Park).
- Never change tires when the vehicle is on a slope, ice or slippery areas. This is hazardous.
- Never change tires if oncoming traffic is close to your vehicle. Wait for professional road assistance.

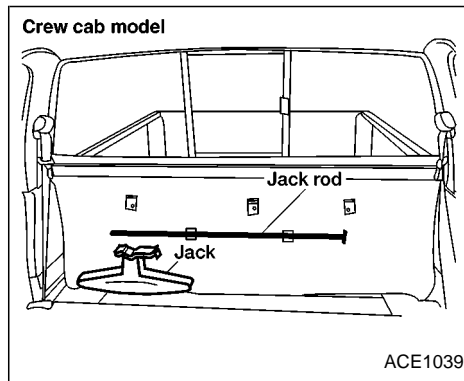
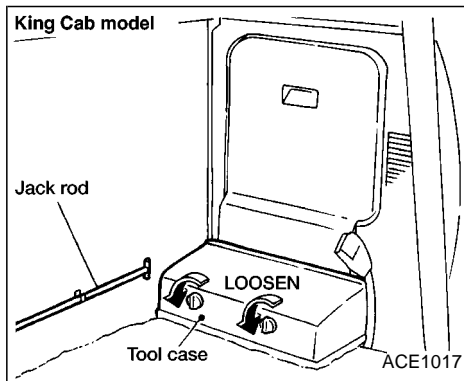
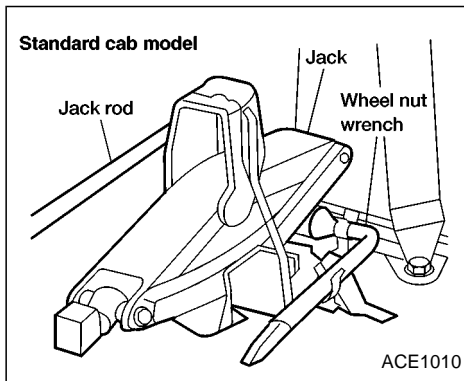


### Blocking wheels

Place suitable blocks at both the front and back of the wheel diagonally opposite the flat tire to prevent the vehicle from rolling when it is jacked up.

#### WARNING

Be sure to block the wheel as the vehicle may move and result in personal injury.



## Getting the spare tire and tools

### 1. For Standard cab models:

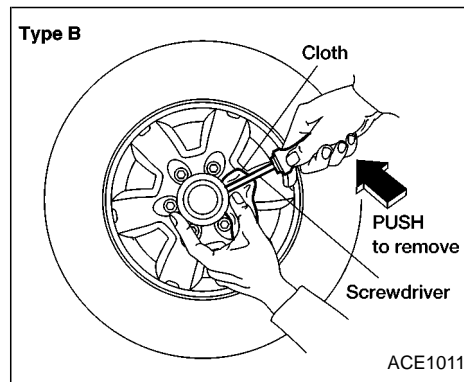
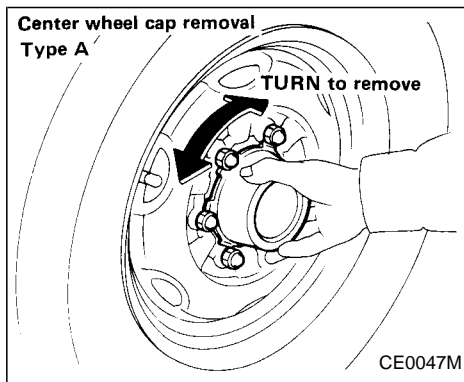
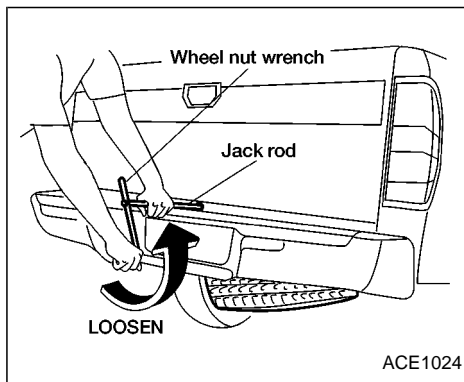
- a. Move the bench seat back fully forward.
- b. Remove the jack, jack rod, and wheel nut wrench from behind the driver's side of the bench seat.

### For King cab models:

- a. Move the driver's seat back fully forward.
- b. Remove the jack and wheel nut wrench from the tool case from behind the driver's seat.
- c. Remove the jack rod from behind the driver's seat.

### For Crew cab models:

- a. Tilt the rear bench seat forward.
- b. Remove the jack, jack rod, and tool case from behind the rear bench seat.
2. Fit the square end of the jack rod into the square hole of the wheel nut wrench to form a handle.
3. Find the oval shaped opening under the middle of the tailgate. Pass the T-shaped end of the jack rod through the opening and direct it towards the spare tire winch, located directly above the spare tire.



4. Seat the T-shaped end of the jack rod into the T-shaped opening of the spare tire winch, and turn the jack rod counter-clockwise to lower the spare tire.
5. Once the spare tire is completely lowered, reach under the vehicle, remove the retainer chain, and carefully slide the tire from under the rear of the vehicle.

**⚠ CAUTION**

- Be sure to center the spare tire suspending plate on the wheel and then lift the spare tire.

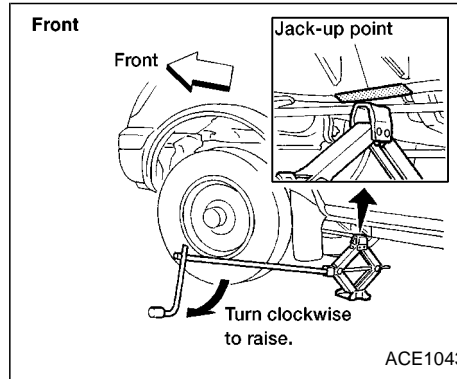
## PANTOGRAPH TYPE JACK

### Removing wheel cover

#### **⚠ CAUTION**

**Do not use your hands to pry off wheel caps or wheel covers. Doing so could result in personal injury.**

Use caution not to scratch the wheel cover or wheel surface.

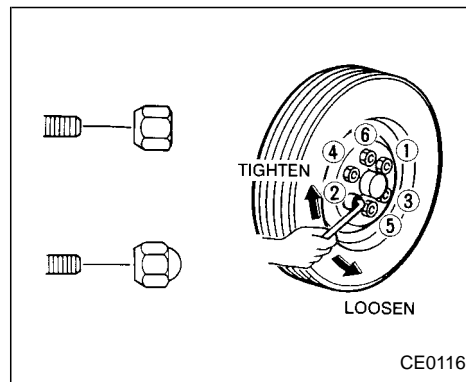
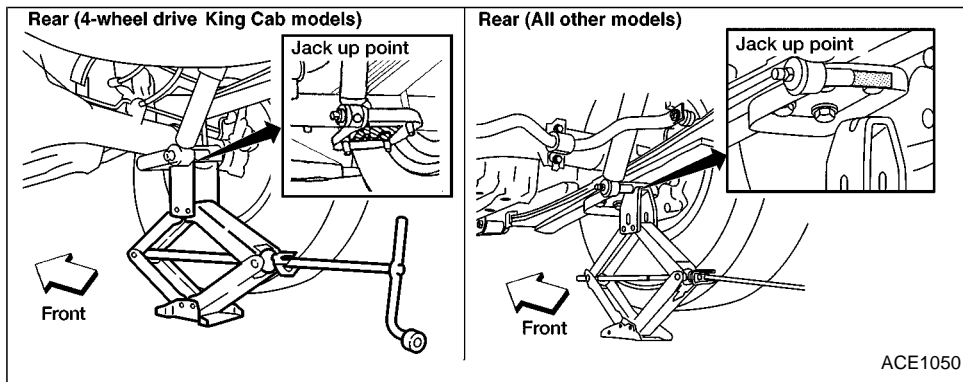


### Jacking up the vehicle and removing the wheel

Always refer to the proper illustrations for the correct placement and jack-up points for your specific vehicle model and jack type.

#### **⚠ WARNING**

- Never get under the vehicle while it is supported only by the jack.
- Use only the jack provided with your vehicle to lift the vehicle. Do not use the jack provided with your vehicle on other vehicles. The jack is designed for lifting only your vehicle during a tire change.
- Use the correct jack up points; Never use any other part of the vehicle for jack support.
- Never jack up the vehicle more than necessary.
- Never use blocks on or under the jack.
- Do not allow passengers to stay in the vehicle while it is on the jack.
- Do not start or run the engine while vehicle is on the jack. It may cause the vehicle to move. This is especially true for vehicles with limited slip differential carriers.



**⚠ WARNING**

- **Incorrect wheel nuts or improperly tightened wheel nuts can cause the wheel to become loose or come off. This could cause an accident.**
- **Do not use oil or grease on the wheel studs or nuts. This could cause the nuts to become loose.**

Installing the spare tire

The spare tire is designed for emergency use. See specific instructions under the heading “Wheels and tires” in the “Do-



**it-yourself” section of this owner’s manual.**

1. Clean any mud or dirt from the surface between the wheel and hub.
2. Carefully put the spare tire on and tighten the wheel nuts finger tight.
3. With the wheel nut wrench, tighten the wheel nuts alternately and evenly until they are tight.
4. Lower the vehicle slowly until the tire touches the ground. Then, with the wheel nut wrench, tighten the wheel nuts securely in the sequence as illustrated. Lower the vehicle completely.

**As soon as possible, tighten the wheel nuts to the specified torque with a torque wrench.**

**Wheel nut tightening torque:  
87 to 108 ft-lb (118 to 147 N·m)**

**The wheel nuts must be kept tightened to specification at all times. It is recommended that wheel nuts be tightened to specification at each lubrication interval.**

**Adjust tire pressure to the COLD pressure.**

**COLD pressure:**

**After vehicle has been parked for three hours or more or driven less than 1 mile (1.6 km).**

**COLD tire pressures are shown on the tire placard affixed to the inside of the glove box lid.**

- **Retighten the wheel nuts when the vehicle has been driven for 600 miles (1,000 km) (also in cases of a flat tire, etc.).**
5. Securely store the flat tire and jacking equipment in the vehicle.

 **WARNING**

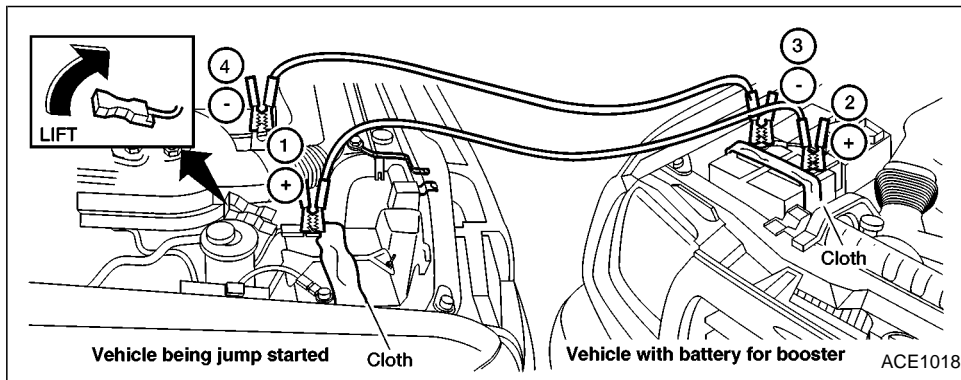
- **Always make sure that the spare tire and jacking equipment are properly secured after use. Such items can become dangerous projectiles in an accident or sudden stop.**
- **The spare tire is designed for emergency use. See specific instructions under the heading “Wheels and tires” in the “Do-it-yourself” section of this manual.**

## JUMP STARTING

To start your engine with a booster battery, the instructions and precautions below must be followed.

### **⚠ WARNING**

- If done incorrectly, jump starting can lead to a battery explosion, resulting in severe injury or death. It could also damage your vehicle.
- Explosive hydrogen gas is always present in the vicinity of the battery. Keep all sparks and flames away from the battery.
- Do not allow battery fluid to come into contact with eyes, skin, clothing or painted surfaces. Battery fluid is a corrosive sulphuric acid solution which can cause severe burns. If the fluid should come into contact with anything, immediately flush the contacted area with water.
- Keep battery out of the reach of children.
- The booster battery must be rated at 12 volts. Use of an improperly rated battery can damage your vehicle.



- Your vehicle has an automatic engine cooling fan. It could come on at any time. Keeps hands and other objects away from it.
- Whenever working on or near a battery, always wear suitable eye protectors (e.g., goggles or industrial safety spectacles) and remove rings, metal bands, or any other jewelry. Do not lean over the battery when jump starting.
- Do not attempt to jump start a frozen battery. It could explode and cause

serious injury.

### **⚠ WARNING**

Always follow the instructions below. Failure to do so could result in damage to the charging system and cause personal injury.

1. If the booster battery is in another vehicle, position the two vehicles to bring their batteries into close proximity to each other.

**Do not allow the two vehicles to touch.**

## PUSH STARTING

2. Apply the parking brake. Move the shift selector lever to N (Neutral) (on automatic transmission models, move the lever to P (Park)). Switch off all unnecessary electrical systems (lights, heater, air conditioner, etc.).
3. Remove vent caps on the battery (if so equipped). Cover the battery with an old cloth to reduce explosion hazard.
4. Connect jumper cables in the sequence as illustrated.

### CAUTION

- **Always connect positive (+) to positive (+) and negative (-) to body ground (for example, engine lift bracket, etc.)—not to the battery.**
- **Make sure the jumper cables do not touch moving parts in the engine compartment and that the cable clamps do not contact any other metal.**

5. Start the engine of the booster vehicle and let it run for a few minutes.

6. Keep the engine speed of the booster vehicle at about 2,000 r/min, and start the engine of the vehicle being jump started.

### CAUTION

**Do not keep the starter motor engaged for more than 10 seconds. If the engine does not start right away, turn the key off and wait 3 to 4 seconds before trying again.**

7. After starting your engine, carefully disconnect the negative cable and then the positive cable.
8. Replace the vent caps (if so equipped). Be sure to dispose of the cloth used to cover the vent holes as it may be contaminated with corrosive acid.

### CAUTION

- **Automatic transmission models cannot be push started. This may cause transmission damage.**
- **Three-way catalyst equipped models should not be started by pushing. The three-way catalyst may be damaged.**
- **Never try to start the vehicle by towing it. When the engine starts, the forward surge could cause the vehicle to collide with the tow vehicle.**

## IF YOUR VEHICLE OVERHEATS

If your vehicle is overheating (indicated by an extremely high temperature gauge reading), or if you feel a lack of engine power, or detect abnormal noise, etc., take the following steps:

### WARNING

- **Do not continue to drive if your vehicle overheats. Doing so could cause a vehicle fire.**
- **To avoid the danger of being scalded, never remove the radiator cap while the engine is still hot. When the radiator cap is removed, pressurized hot water will spurt out, possibly causing serious injury.**
- **Do not open the hood if steam is coming out.**

1. Move the vehicle safely off the road, apply the parking brake and move the gearshift lever to N (Neutral), or the automatic transmission into P (Park).

#### **Do not stop the engine.**

2. Turn off the air conditioner (if so equipped). Open all of the windows, move the heater or air conditioner tem-

perature control to maximum hot and fan control to high speed.

3. If engine overheating is caused by climbing a long hill on a hot day, run the engine at a fast idle (approximately 1,500 r/min) until the temperature gauge indicator returns to normal.
4. Get out of the vehicle. Look and listen for steam or coolant escaping from the radiator before opening the hood. Wait until no steam or coolant can be seen before proceeding.
5. Open the hood.

### WARNING

**If steam or water is coming from the engine, stand clear to prevent getting burned.**

6. Visually check drive belts for damage or looseness. Also check if the cooling fan is running. The radiator hoses and radiator should not leak water. If coolant is leaking, or the water pump belt is missing or loose, or the cooling fan does not run, stop the engine.

### WARNING

**Be careful not to allow your hands, hair, jewelry or clothing to come into contact with, or to get caught in, engine belts or the engine cooling fan. The engine cooling fan can start at any time when the coolant temperature is high.**

7. After the engine cools down, check the coolant level in the reservoir tank with the engine running. Add coolant to the reservoir tank if necessary. Have your vehicle repaired at an authorized NISSAN dealer.

## TOW TRUCK TOWING

When towing your vehicle, U.S. States, Canadian provinces and local regulations for towing must be followed. Incorrect towing equipment could damage your vehicle. Towing instructions are available from an authorized NISSAN dealer. Local service operators are generally familiar with the applicable laws and procedures for towing. To assure proper towing and to prevent accidental damage to your vehicle, NISSAN recommends having a service operator tow your vehicle. It is advisable to have the service operator carefully read the following precautions:

### WARNING


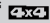
- Never ride in a vehicle that is being towed.
- Never get under your vehicle after it has been lifted by a tow truck.

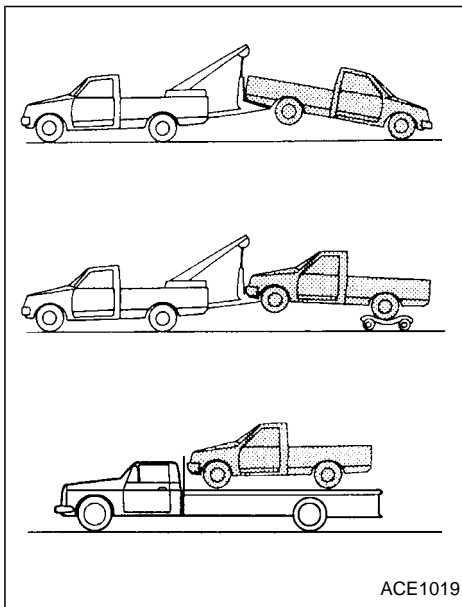
### CAUTION

- When towing, make sure that the transmission, axles, steering system and powertrain are in working condition. If any unit is damaged, dollies must be used.

- When towing with the front wheels on the ground or with the rear wheels on the ground (if you do not use towing dollies): Move the transfer control shift lever into the 2H position.
- When towing with the front wheels on the ground: Turn the ignition key to the OFF position and move the transmission shift lever to the N (Neutral) position. To move the selector lever to the N (Neutral) position on automatic transmission models, turn the ignition key to the ACC position. After moving the selector lever to the N (Neutral) position, turn the ignition key to the OFF position and secure the steering wheel in the straight ahead position with a rope or similar device. Never place the ignition key in the LOCK position. This will result in damage to the steering lock mechanism.
- When towing manual transmission models with rear wheels on the ground: Always release the parking

brake and move the transmission shift lever to the N (Neutral) position.

- For four-wheel drive models:  
Set the free-running hubs to the free position. See “ Auto-lock free-running hubs” or “ Manual-lock free-running hubs” as appropriate in the “Starting and driving” section. Move the transfer case shift lever into the 2H position and the transmission shift lever into the N (Neutral) position.
- Always attach safety chains before towing.



## TWO-WHEEL DRIVE MODELS

NISSAN recommends that your vehicle be towed with the driving (rear) wheels off the ground as illustrated.

**⚠ CAUTION**

If you have to tow your vehicle with four wheels on the ground or with front wheels raised (with rear wheels on the ground), observe the following restricted towing speeds and distances:

Automatic transmission model:

- Speed: Below 30 MPH (48 km/h)
- Distance: Less than 40 miles (64 km)

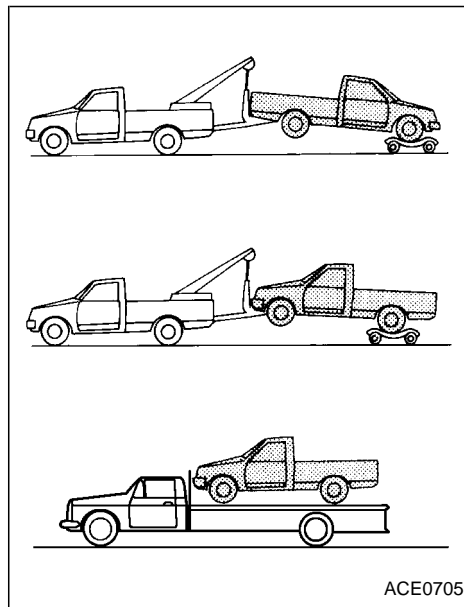
Manual transmission model:

- Speed: Below 60 MPH (97 km/h)
- Distance: Less than 500 miles (805 km)

If the speed or distance must necessarily be greater, remove the propeller shaft beforehand to prevent damage to the transmission.

**⚠ CAUTION**

**Never tow your vehicle from the rear (i.e., backward) with four wheels on the ground, as this may cause serious and expensive damage to the transmission.**



## FOUR-WHEEL DRIVE MODELS

NISSAN recommends that a dolly be used as illustrated when towing your vehicle.

 **CAUTION**

If you have to tow your vehicle with four wheels on the ground or with the front or rear wheels raised, observe the following restricted towing speeds and distances:

Automatic transmission model:

- Speed: Below 30 MPH (48 km/h)
- Distance: Less than 40 miles (64 km)

Manual transmission models:

- Speed: Below 60 MPH (97 km/h)
- Distance: Less than 500 miles (805 km)

If the speed or distance must necessarily be greater, remove the front and rear propeller shafts beforehand to prevent damage to the transmission.

 **CAUTION**

- Never tow your vehicle from the rear (i.e., backward) with four wheels on the ground as this may cause serious and expensive damage to the transmission.

- Be sure to place the transfer control lever into the 2H position and the transmission selector lever into the N (Neutral) position.

### VEHICLE RECOVERY (freeing a stuck vehicle)

- Tow chains or cables must be attached only to the main structural members of the vehicle.
- Pulling devices should be routed so they do not touch any part of the suspension, steering, brake or cooling systems.
- Always pull the cable straight out from the front or rear of the vehicle. Never pull the vehicle at an angle.
- Pulling devices such as ropes or canvas straps are not recommended for use in vehicle towing or recovery.
- Stand clear of a stuck vehicle.

 **WARNING**

Do not spin your tires at high speed. This could cause them to explode and result in serious injury. Parts of your vehicle could also overheat and be damaged.

*MEMO*



# 7 Appearance and care

Cleaning exterior and interior .....7-2

Corrosion protection .....7-4



## CLEANING EXTERIOR AND INTERIOR



In order to maintain the appearance of your vehicle, it is important to take proper care of it.

In the following cases, please wash your vehicle as soon as possible to protect the paint surface:

- after a rainfall to prevent possible damage from acid rain.
- after driving on coastal roads.
- when contaminants such as soot, bird droppings, tree sap, metal particles or bugs get on the paint surface.

- when dust or mud builds up on the surface.

Whenever possible, store or park your vehicle inside a garage or in a covered area.

When it is necessary to park outside, park in a shady area or protect the vehicle with a body cover.

**Be careful not to scratch the paint surface when putting on or removing the body cover.**

### Washing

Wash dirt off with a wet sponge and plenty of water. Clean the vehicle thoroughly using a mild soap, a special vehicle soap or general purpose dishwashing liquid mixed with clean, lukewarm (never hot) water.

### **⚠ CAUTION**

- **Do not wash the vehicle with strong household soap, strong chemical detergents, gasoline or solvents.**
- **Do not wash the vehicle in direct sunlight or while the vehicle body is hot, as the surface may become water-spotted.**

- **Avoid using tight-napped or rough cloths, such as washing mitts. Care must be taken when removing caked-on dirt or other foreign substances so the paint surface is not scratched or damaged.**

Rinse the vehicle thoroughly with plenty of clean water.

Inside flanges, seams and folds on the doors, hatches and hood are particularly vulnerable to the effects of road salt. Therefore, these areas must be regularly cleaned. Take care that the drain holes in the lower edge of the door are open. Spray water under the body and in the wheel wells to loosen the dirt and wash away road salt.

A damp chamois can be used to dry the vehicle to avoid water spots.

### Waxing

Regular waxing protects the paint surface and helps retain new vehicle appearance. After waxing, polishing is recommended to remove built-up residue and to avoid a “weathered” appearance.

An authorized NISSAN dealer can assist

you in choosing the proper product.

- Wax your vehicle only after a thorough washing. Follow the instructions supplied with the wax.
- Do not use a wax containing any abrasives, cutting compounds or cleaners that may damage the vehicle finish.
- If the surface does not polish easily, use a “road tar” remover and wax again.

Machine compounding or aggressive polishing on a base coat/clear coat paint finish may dull the finish or leave swirl marks.

## Removing spots

Remove tar and oil spots, industrial dust, insects and tree sap as quickly as possible from the surface of the paint to avoid permanent damage or staining. Special cleaning products are available at an authorized NISSAN dealer or any automotive accessories store.

## Underbody

In areas where road salt is used in winter, it is necessary to clean the underbody regularly in order to prevent dirt and salt from building up and causing corrosion on the

underbody and suspension. Before the winter period and again in the spring, the underseal must be checked and, if necessary, retreated.

## Cleaning glass

Use glass cleaner to remove smoke and dust film from the glass surfaces. It is normal for glass to be coated with a film after the vehicle is parked in the hot sun. Glass cleaner and a soft cloth easily remove this film.

### CAUTION

**When cleaning the inside of the window, do not use sharp-edged tools or abrasive cleaners or chlorine-based disinfectant cleaners. They could damage the electrical conductors, radio antenna elements or rear window defogger elements.**

## Cleaning aluminum alloy wheels

Wash regularly, especially during winter months in areas where road salt is used. Salt could discolor the wheel if not removed.

## Chrome parts

Clean all chrome parts regularly with a non-abrasive chrome polish to maintain the finish.

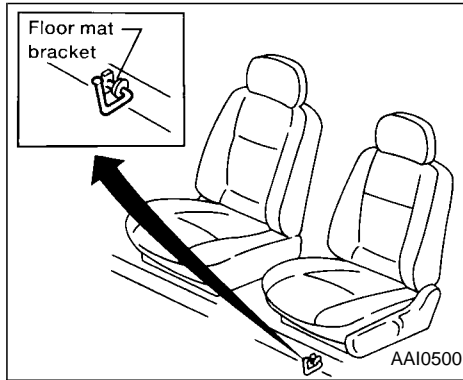
## Cleaning interior

Occasionally remove loose dust from the interior trim, plastic parts and seats using a vacuum cleaner or soft brush. Wipe the vinyl and leather surfaces with a clean, soft cloth dampened in mild soap solution, then wipe clean with a dry soft cloth. Before using any fabric protector, read the manufacturer's recommendations. Some fabric protectors contain chemicals that stain or bleach the seat material. Use a cloth dampened only with water, to clean the meter and gauge lens.

### CAUTION

- **Never use benzine, thinner or any similar material.**
- **Never use fabric protectors unless recommended by the manufacturer.**
- **Do not use glass or plastic cleaner on meter or gauge lens covers. It may damage the lens cover.**

## CORROSION PROTECTION



### Floor mat positioning aid (Driver side only)

Some models include a floor mat pin to act as a floor mat positioning aid. NISSAN floor mats have been specially designed for your vehicle model. The driver's side floor mat has a grommet hole incorporated in it. Position the mat by placing the floor mat pin through the floor mat grommet hole while centering the mat in the footwell. Periodically check to make certain that the mats are properly positioned.

### Floor mats

The use of genuine NISSAN floor mats can extend the life of your vehicle carpet and make it easier to clean the interior. **No matter what mats are used, be sure they are fitted for your vehicle and are properly positioned in the footwell to prevent interference with pedal operation.** Mats should be maintained with regular cleaning and replaced if they become excessively worn.

### Seat belts

The seat belts can be cleaned by wiping them with a sponge dampened in a mild soap solution. Allow the belts to dry completely before using them.

#### **⚠ WARNING**

**Do not allow wet seat belts to roll up in the retractor. NEVER use bleach, dye or chemical solvents to clean the seat belts, since these materials may severely weaken the seat belt webbing.**

Most common factors contributing to vehicle corrosion.

1. The accumulation of moisture-retaining dirt and debris in body panel sections, cavities, and other areas.
2. Damage to paint and other protective coatings caused by gravel and stone chips or minor traffic accidents.

Environmental factors influence the rate of corrosion.

### Moisture

The accumulation of sand, dirt and water on the underside of the body accelerates corrosion. Floor sections which have snow and ice trapped under the floor matting will not dry.

### Relative humidity

Corrosion will be accelerated:

- in areas of high relative humidity.
- in areas where the temperatures stay above freezing.
- where atmospheric pollution exists.
- where road salt is used.

## Temperature

A temperature increase accelerates the rate of corrosion to those parts which are not well ventilated.

## Air pollution

Industrial pollution, the presence of salt in the air in coastal areas, or heavy road salt use will accelerate the corrosion process. Road salt will also accelerate the disintegration of paint surfaces.

To protect your vehicle from corrosion:

- wash and wax your vehicle often to keep the vehicle clean.
- always check for minor damage to the paint and repair it as soon as possible.
- keep drain holes at the bottom of the doors and tailgate open to avoid water accumulation.
- check the underbody and inside the pick-up box. If any sand, dirt or salt is accumulated, wash it off with water as soon as possible.

## CAUTION

- **NEVER remove dirt, sand or other debris from the passenger compartment by washing it out with a hose. Remove dirt with a vacuum cleaner or broom.**
- **Never allow water or other liquids to come in contact with electronic components inside the vehicle as this may damage them.**

Chemicals used for road surface de-icing are extremely corrosive. They accelerate corrosion and deterioration of underbody components such as the exhaust system, fuel and brake lines, brake cables, floor pan and fenders.

**In winter, the underbody must be cleaned periodically.**

For additional protection against rust and corrosion, which may be required in some areas, consult an authorized NISSAN dealer.

*MEMO*

# 8 Do-it-yourself

Maintenance precautions .....	8-2	Spark plug replacement .....	8-19
Engine compartment check locations .....	8-3	Air cleaner housing filter .....	8-21
Engine cooling system .....	8-5	Wiper blades .....	8-22
Checking engine coolant level .....	8-5	Parking brake check.....	8-23
Changing engine coolant .....	8-6	Brake pedal .....	8-23
Engine oil .....	8-9	Brake booster .....	8-24
Checking engine oil level .....	8-9	Clutch pedal .....	8-25
Changing engine oil .....	8-10	Fuses.....	8-26
Changing engine oil filter .....	8-12	Multi-remote controller battery replacement .....	8-27
Automatic transmission fluid (ATF) .....	8-13	Light bulbs .....	8-29
Temperature conditions for checking ATF .....	8-13	Headlights .....	8-29
Power steering fluid.....	8-14	Bulb replacement .....	8-30
Brake and clutch fluid.....	8-15	Front fog light bulb replacement (if so equipped) .....	8-32
Window washer fluid .....	8-15	Wheels and tires.....	8-33
Battery .....	8-16	Four-wheel drive models.....	8-36
Jump starting .....	8-17		
Drive belts .....	8-18		

## MAINTENANCE PRECAUTIONS

When performing any inspection or maintenance work on your vehicle, always take care to prevent serious accidental injury to yourself or damage to the vehicle. The following are general precautions which should be closely observed.

### WARNING

- Park the vehicle on a level surface, apply the parking brake securely and block the wheels to prevent the vehicle from moving. For manual transmission models, move the shift lever to N (Neutral). For automatic transmission models, move the shift lever to P (Park).
- Be sure the ignition key is in the OFF or LOCK position when performing any parts replacement or repairs.
- Never leave the engine or automatic transmission related component harnesses disconnected while the ignition switch is in the ON position.
- Never connect or disconnect the battery or any transistorized component while the ignition switch is in the ON position.

- If you must work with the engine running, keep your hands, clothing, hair and tools away from moving fans, belts, and any other moving parts.
- It is advisable to secure or remove any loose clothing and remove any jewelry, such as rings, watches, etc., before working on your vehicle.
- Always wear eye protection whenever you work on your vehicle.
- If you must run the engine in an enclosed space such as a garage, be sure there is proper ventilation for exhaust gases to escape.
- Never get under the vehicle while it is supported only by a jack. If it is necessary to work under the vehicle, support it with safety stands.
- Keep smoking materials, flame and sparks away from fuel tank and battery.
- On gasoline engine models with the multiport fuel injection (MFI) system, the fuel filter or fuel lines should be serviced by an authorized NISSAN

dealer because the fuel lines are under high pressure even when the engine is off.

### CAUTION

- Do not work under the hood while the engine is hot. Turn the engine off and wait until it cools down.
- Never connect or disconnect either the battery or any transistorized component connector while the ignition is on.
- Avoid contact with used engine oil. Improperly disposed engine oil and/or other vehicle fluids can damage the environment. Always conform to local regulations for disposal of vehicle fluid.

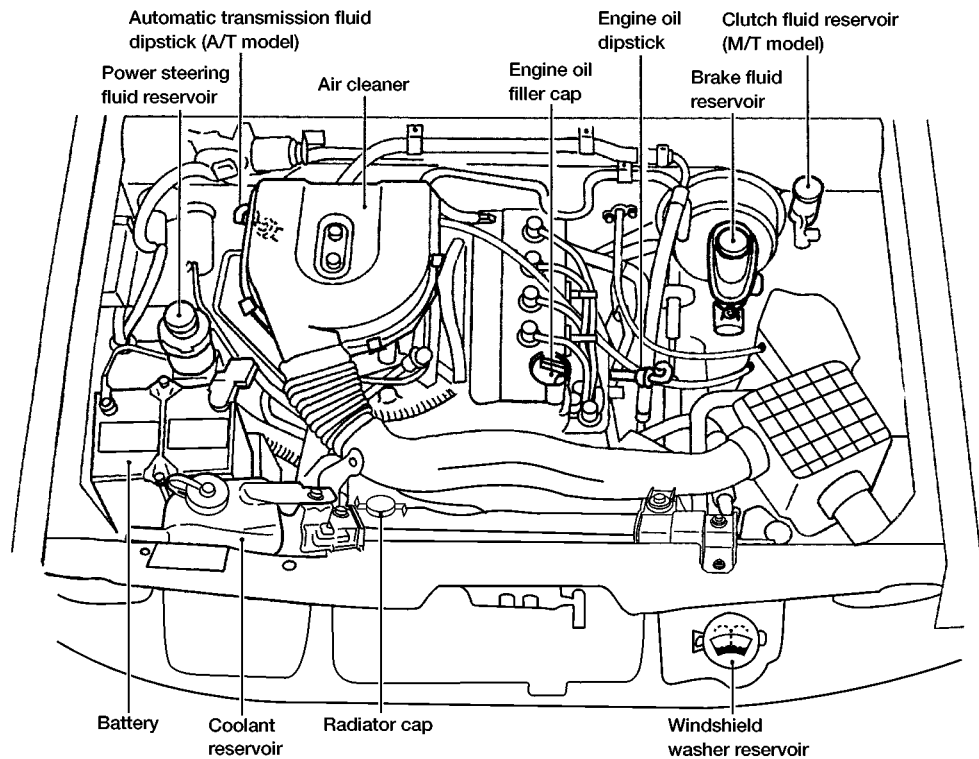
This “Do-it-yourself” section gives instructions regarding only those items which are relatively easy for an owner to perform.

You should be aware that incomplete or improper servicing may result in operating difficulties or excessive emissions, and could affect your warranty coverage. **If in doubt about any servicing, have it done by an authorized NISSAN dealer.**



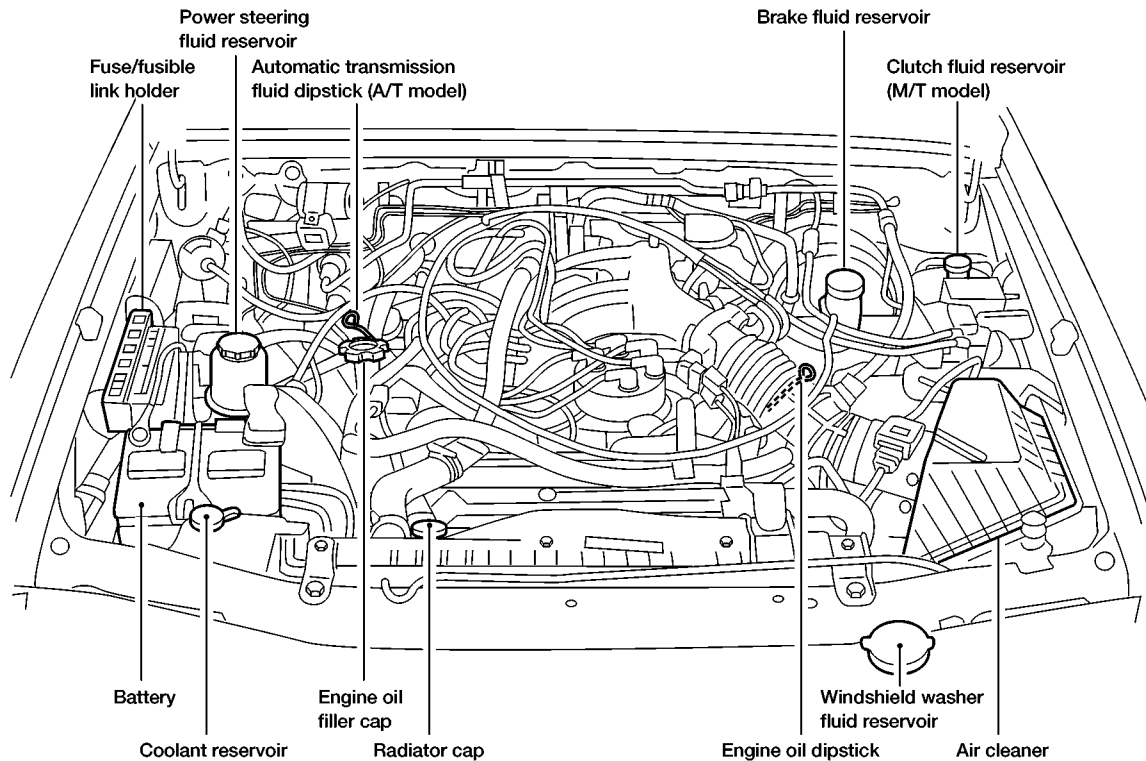
# ENGINE COMPARTMENT CHECK LOCATIONS

**KA24DE**



ADI1051

**VG33E**



AD11052

## ENGINE COOLING SYSTEM

The engine cooling system is filled at the factory with a high-quality, year-round, genuine NISSAN anti-freeze coolant solution. The anti-freeze solution contains rust and corrosion inhibitors, therefore additional engine cooling system additives are not necessary.

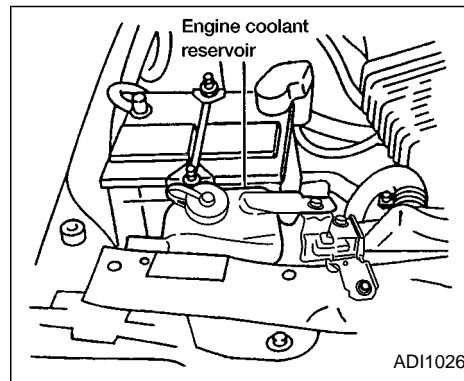
### ⚠ CAUTION

When adding or replacing coolant, be sure to use only an ethylene glycol anti-freeze with the proper mixture ratio of 50% Genuine Nissan Anti-freeze coolant or equivalent and 50% demineralized or distilled water. The use of other types of coolant solutions may damage the engine cooling system.

Outside temperature down to		Genuine Nissan Anti-freeze coolant or equivalent	Demineralized water or Distilled water
°C	°F		
-35	-30	50%	50%

### ⚠ WARNING

- Never remove the radiator cap when the engine is hot. Wait until the engine and radiator cool down. Serious burns could be caused by high pressure fluid escaping from the radiator. See precautions in "If your vehicle overheats" found in the "In case of emergency" section of this manual.
- The radiator is equipped with a pressure type radiator cap. To prevent engine damage, use only a genuine NISSAN radiator cap.



### CHECKING ENGINE COOLANT LEVEL

Check the coolant level in the reservoir tank when the engine is cold. If the coolant level is below the MIN level, add coolant to the MAX level. If the reservoir tank is empty, check the coolant level in the radiator **when the engine is cold**. If there is insufficient coolant in the radiator, fill the radiator with coolant up to the filler opening and also add it to the reservoir tank up to the MAX level.

If the cooling system frequently requires coolant, have it checked by an authorized NISSAN dealer.

## CHANGING ENGINE COOLANT

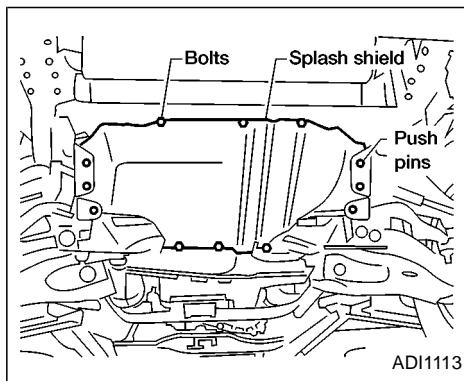
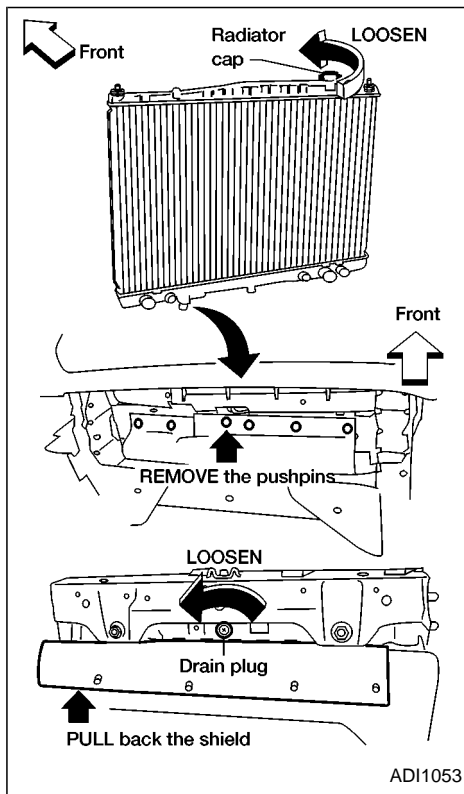
- Major cooling system repairs should be performed by an authorized NISSAN dealer. The service procedures can be found in the appropriate NISSAN Service Manual.
- Improper servicing can result in reduced heater performance and engine overheating.

### WARNING

- **To avoid the danger of being scalded, never change the coolant when the engine is hot.**
- **Never remove the radiator cap when the engine is hot. Serious burns could be caused by high pressure fluid escaping from the radiator.**

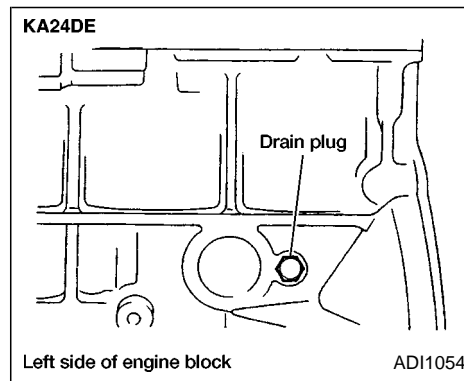
1. Open the radiator drain valve. Open the drain plugs on the engine block.
2. Open the radiator cap to drain the coolant.
3. Flush the cooling system by running fresh water through the radiator.
4. Close the radiator drain valve and drain plug on the engine block securely.

5. See “Capacities and recommended fuel/lubricants” in the “Technical and consumer information” section for cooling system capacity. Fill the radiator slowly with the proper mixture of coolant and water. Fill the reservoir tank slowly up to the MAX level.

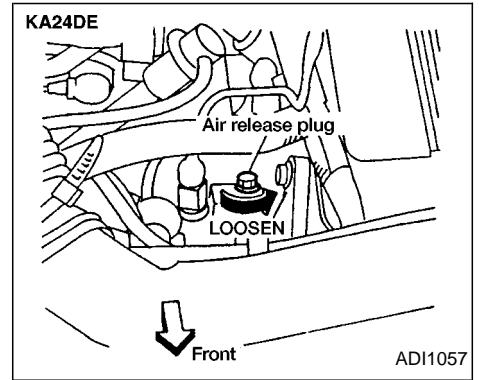
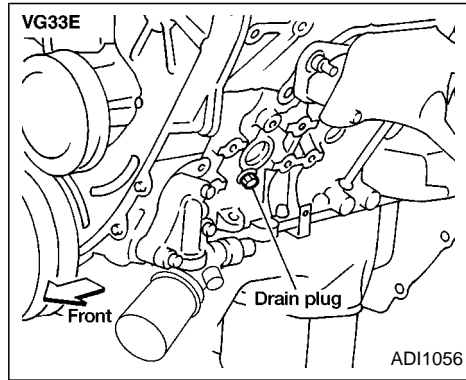
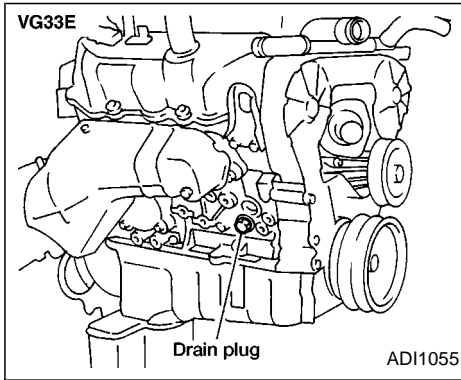


6. Remove the splash shield.

- Remove the six push pins.
- Remove the six bolts and the splash shield.



7. Open and close the air release plug to release air. Then fill the radiator again and install the radiator cap.

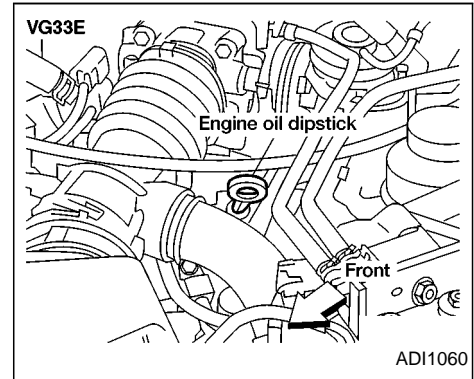
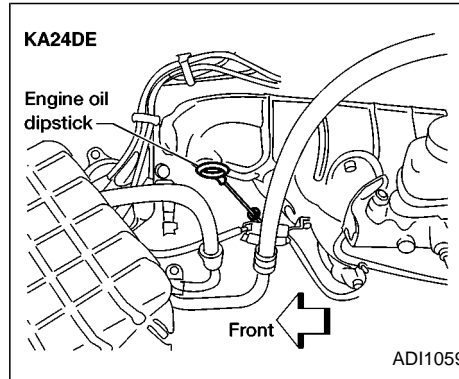
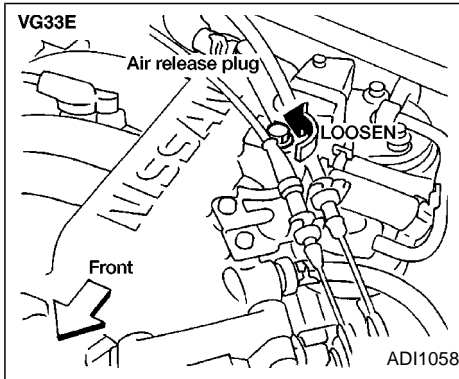


8. Start the engine and warm it up until it reaches normal operating temperature. Then race the engine two or three times under no load. Watch the engine coolant temperature gauge for signs of overheating.

9. Stop the engine. After it completely cools down, refill the radiator up to the filler opening. Fill the reservoir tank up to the MAX level.

10. Open and close the air release plug to release air. Then fill the radiator again and install the radiator cap.

## ENGINE OIL

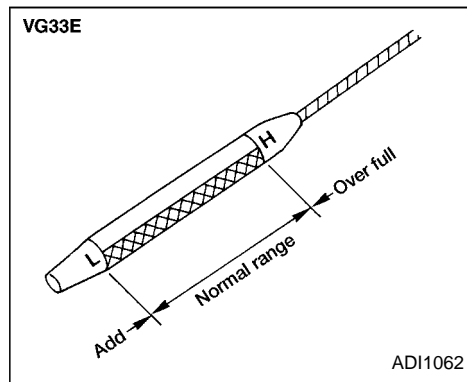
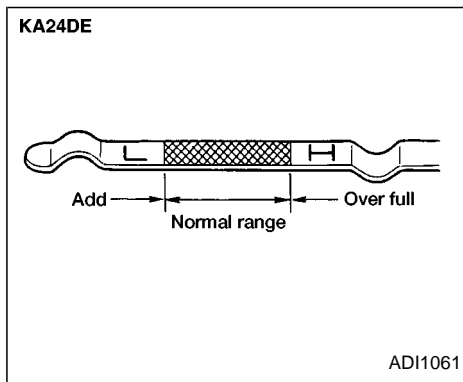


11. Check the drain valve on the radiator and drain plugs on the engine block for any sign of leakage.

### CHECKING ENGINE OIL LEVEL

1. Park the vehicle on a level surface and apply the parking brake.
2. Start the engine and let it idle until it reaches operating temperature.
3. Turn off the engine. **Wait a few minutes for the oil to drain back into the oil pan.**

4. Remove the dipstick and wipe it clean. Reinsert it all the way.



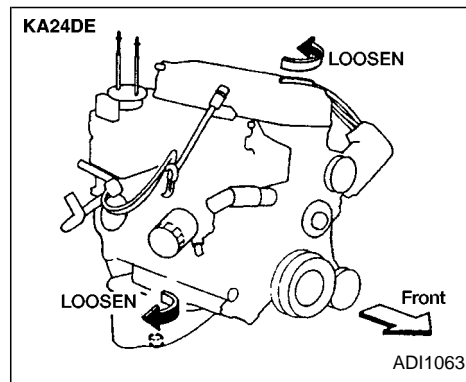
5. Remove the dipstick again and check the oil level. It should be between the H (High) and L (Low) marks. If the oil level is below the L (Low) mark, remove the oil filler cap and pour recommended oil through the opening. **Do not overfill.**

6. Recheck oil level with dipstick.

**It is normal to add some oil between oil maintenance intervals or during the break-in period, depending on the severity of operating conditions.**

**⚠ CAUTION**

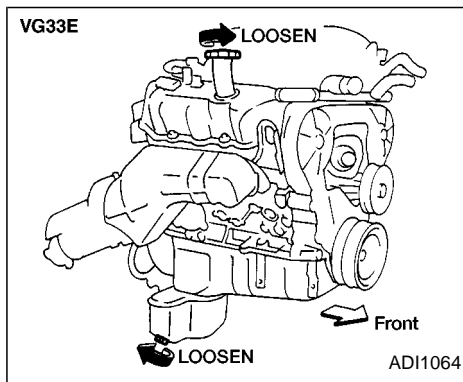
**Oil level should be checked regularly. Operating the engine with an insufficient amount of oil can damage the engine, and such damage is not covered by warranty.**



## CHANGING ENGINE OIL

1. Park the vehicle on a level surface and apply the parking brake.
2. Start the engine and let idle until it reaches operating temperature, and then turn it off.
3. Remove the oil filler cap.
4. Place a large drain pan under the drain plug.





5. Remove the drain plug with a wrench and completely drain the oil.

If the oil filter is to be changed, remove and replace it at this time. See “Changing engine oil filter” later in this section.

#### **⚠ WARNING**

- Prolonged and repeated contact with used engine oil may cause skin cancer.
- Try to avoid direct skin contact with used oil. If skin contact is made, wash thoroughly with soap or hand cleaner as soon as possible.
- Keep used engine oil out of reach of children.

#### **⚠ CAUTION**

**Be careful not to burn yourself. The engine oil is hot.**

**Waste oil must be disposed of properly. Check your local regulations.**

6. Clean and reinstall the drain plug and washer. Securely tighten the drain plug with a wrench. Do not use excessive force.

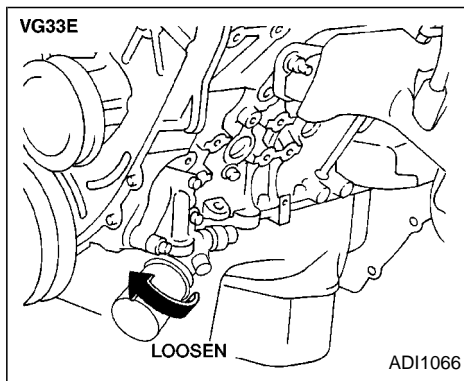
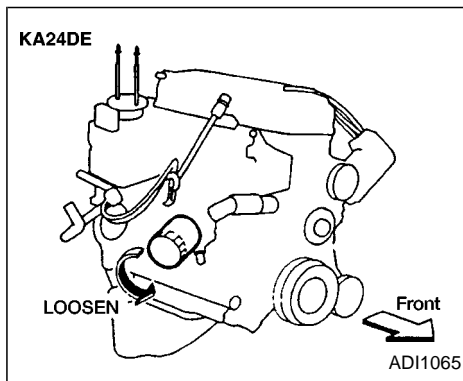
**Drain plug tightening torque:  
22 to 29 ft-lb (29 to 39 N-m)**

7. Refill engine with a recommended oil through the oil filler opening then install the oil filler cap securely.

See “Capacities and recommended fuel/lubricants” in the “Technical and consumer information” section for drain and refill capacity.

The drain and refill capacity depends on the oil temperature and drain time. Use these specifications for reference only. Always use the dipstick to determine when the proper amount of oil is in the engine.

8. Start the engine. Check for leakage around the drain plug and oil filter. Correct as required.
9. Turn the engine off and wait several minutes. Check the oil level with the dipstick. Add engine oil if necessary.



## CHANGING ENGINE OIL FILTER

1. Park the vehicle on a level surface and apply the parking brake.
2. Turn the engine off.
3. Remove the splash shield.
  - Remove the six push pins.
  - Remove the six bolts and the splash shield.
4. Place a large drain pan under the oil filter.
5. Loosen the oil filter with an oil filter wrench. Then remove the oil filter by turning it by hand.

### 8-12 Do-it-yourself

**⚠ CAUTION**  
**Be careful not to burn yourself. The engine oil may be hot.**

6. Wipe the engine oil filter mounting surface with a clean rag.

Be sure to remove any old rubber gasket remaining on the mounting surface of the engine.

7. Coat the rubber gasket on the new filter with engine oil.

8. Screw in the oil filter until a slight resistance is felt, then tighten an additional 2/3 turn.
9. Start the engine and check for leakage around the oil filter. Correct as required.
10. Turn the engine off and wait several minutes. Check the oil level. Add engine oil if necessary.

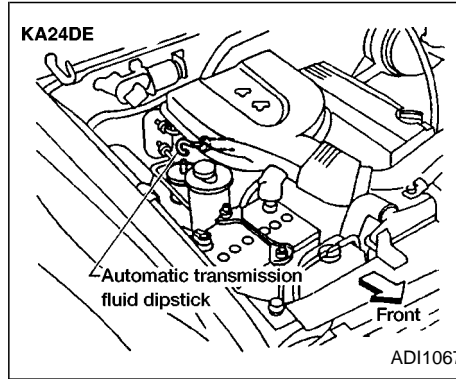
# AUTOMATIC TRANSMISSION FLUID (ATF)

## WARNING

- When the engine is running, keep hands, jewelry and clothing away from any moving parts such as the cooling fan and drive belts.
- Automatic transmission fluid is poisonous and should be stored carefully in marked containers out of the reach of children.

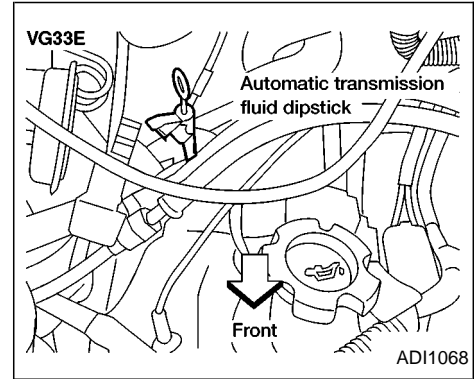
## TEMPERATURE CONDITIONS FOR CHECKING ATF

- The fluid level should be checked using the HOT range on the dipstick after the following conditions have been met:
  - The engine should be warmed up to operating temperature.
  - The vehicle should be driven at least 5 minutes.
  - The ATF should be warmed to between 122 and 176°F (50 and 80°C).
- The ATF can be checked at fluid temperatures of 86 to 122°F (30 to 50°C) using the COLD range on the dipstick



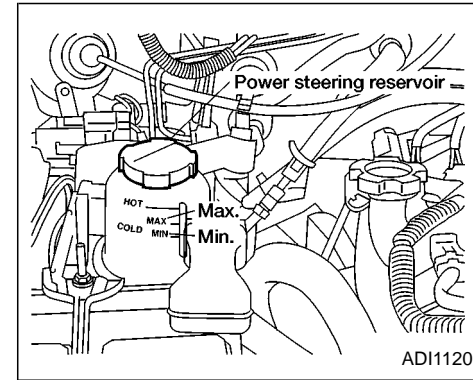
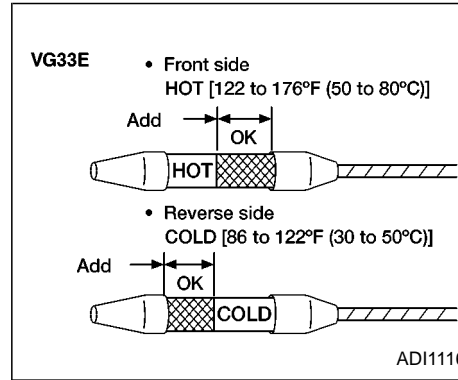
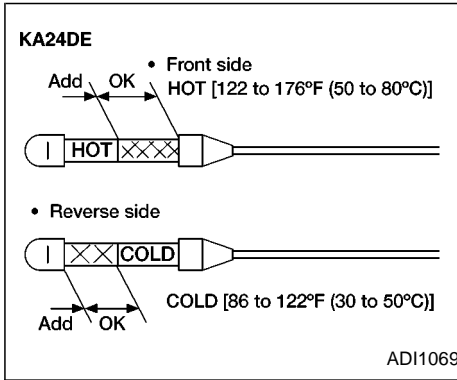
after the engine is warmed up and before driving. However, the fluid should be re-checked using the HOT range.

1. Park the vehicle on a level surface and set the parking brake.
2. Start the engine and then move the selector lever through each gear range, ending in P (Park).



3. Check the fluid level with the engine idling.
4. Remove the dipstick and wipe it clean with lint-free paper.
5. Re-insert the dipstick into the charging pipe as far as it will go.
6. Remove the dipstick and note the reading. If the level is on the low side of either range, add fluid through the charging pipe.

## POWER STEERING FLUID



### ⚠ CAUTION

- **DO NOT OVERFILL.** Use **ONLY NISSAN Matic 'D'** (Continental U.S. and Alaska) or Canada NISSAN Automatic Transmission Fluid. Dexron™ III/Mercon™ or equivalent may also be used. Outside the continental United States and Alaska contact an authorized NISSAN dealership for more information regarding suitable fluids, including recommended brand(s) of Dexron™ III/Mercon™ automatic transmission fluid.

### NOTE:

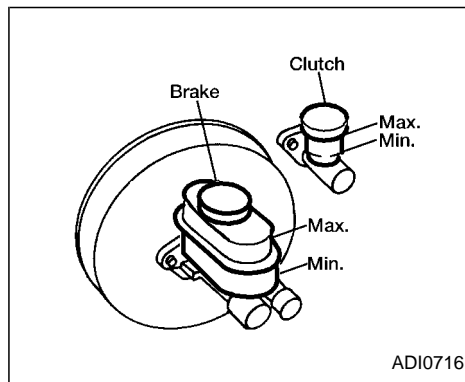
If the vehicle has been driven for a long time at high speeds, or in city traffic in hot weather, or if it is being used to pull a trailer, the fluid level cannot be read accurately. You should wait until the fluid has cooled down (about 30 minutes).

The fluid level should be checked using the HOT MAX range on the power steering fluid reservoir at fluid temperatures of 122 to 176°F (50 to 80°C) or using the COLD MAX range on the power steering fluid reservoir at fluid temperatures of 32 to 86°F (0 to 30°C).

### ⚠ CAUTION

- **DO NOT OVERFILL.**
- Recommended fluid is Genuine NISSAN PSFII or equivalent.

## BRAKE AND CLUTCH FLUID



Check the brake fluid level in the reservoir. If the fluid level is below the MIN line or the brake warning light comes on, add **DOT 3** fluid up to the MAX line.

Check the clutch fluid level in the reservoir (manual transmission only). If the fluid level is below the MIN line, add **DOT 3** fluid up to the MAX line.

If fluid must be added frequently, the system should be thoroughly checked by an authorized NISSAN dealer.

For further brake and clutch fluid specification information, refer to “Capacities and recommended fuel/lubricants” in the “Technical and consumer information” section of this manual.

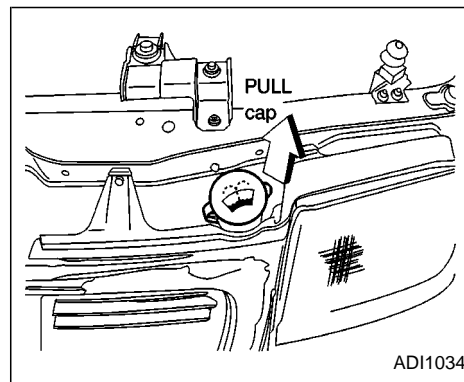
### **⚠ WARNING**

**Use only new fluid from a sealed container. Old, inferior or contaminated fluid may damage the brake and clutch systems. The use of improper fluids can affect the vehicle’s stopping ability.**

### **⚠ CAUTION**

**Do not spill the fluid on painted surfaces. This will damage the paint. If fluid is spilled, wash the surface with water.**

## WINDOW WASHER FLUID



Follow the manufacturer’s instructions for the mixture ratio.

### **⚠ CAUTION**

- **Do not substitute engine anti-freeze coolant for windshield washer solution. This may result in damage to the paint.**
- **Do not fill the window washer reservoir tank with washer fluid concentrates at full strength. Some methyl alcohol based washer fluid concen-**

## BATTERY

trates may permanently stain the grille if spilled while filling the window washer reservoir tank.

- Pre-mix washer fluid concentrates with water to the manufacturer's recommended levels before pouring the fluid into the window washer reservoir tank. Do not use the window washer reservoir tank to mix the washer fluid concentrate and water.

- Keep the battery surface clean and dry. Any corrosion should be washed off with a solution of baking soda and water.
- Make certain the terminal connections are clean and securely tightened.
- If the vehicle is not to be used for 30 days or longer, disconnect the negative (-) battery terminal cable to prevent discharge.

### WARNING

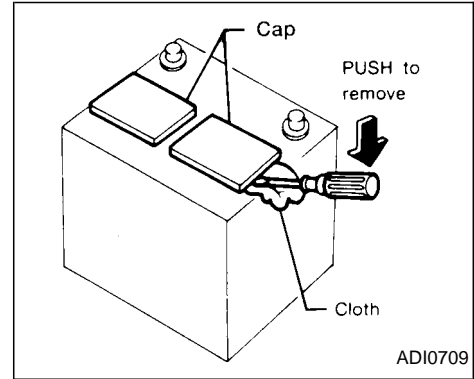
- **Do not expose the battery to flames or electrical sparks. Hydrogen gas generated by the battery is explosive. Do not allow battery fluid to contact your skin, eyes, fabrics, or painted surfaces. After touching a battery or battery cap, do not touch or rub your eyes. Thoroughly wash your hands. If the acid contacts your eyes, skin or clothing, immediately flush with water for at least 15 minutes and seek medical attention.**
- **When working on or near a battery, always wear suitable eye protection and remove all jewelry.**
- **Keep the battery out of the reach of children.**

### USA Only

Check the window washer fluid level in the reservoir tank and add fluid if necessary. Add a washer solvent to the water for better cleaning. In the winter season, add a windshield washer anti-freeze. Follow the manufacturer's instructions for the mixture ratio.

### Canada Only

Add fluid when the low washer fluid warning light comes on. Add windshield washer solvent to the water for better cleaning. In the winter season, add windshield washer anti-freeze.

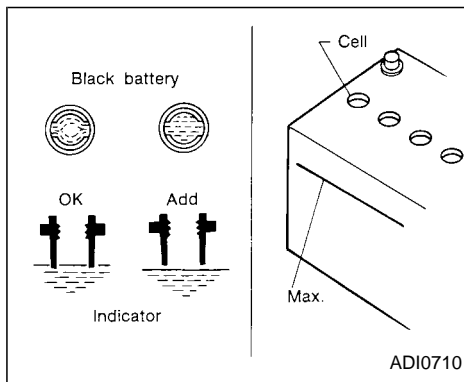


1. Gently pry between the battery cap and cover as illustrated to remove the cap.

Use a cloth to protect the battery case.

2. Check the fluid level in each cell.

If it is necessary to add fluid, add only distilled water to bring the level up to the level indicator in each filler opening. **Do not overfill.**



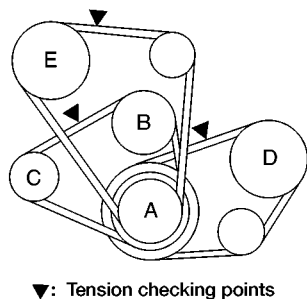
## JUMP STARTING

If jump starting is necessary, see "Jump starting" in the "In case of emergency" section. If the engine does not start by jump starting, the battery may have to be replaced. Contact an authorized NISSAN dealer.

## DRIVE BELTS

### KA24DE

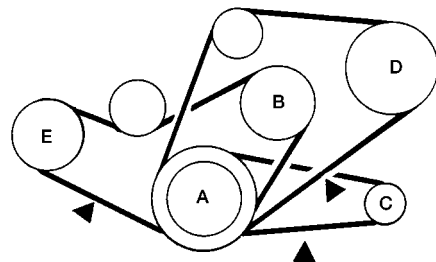
- A: Crank pulley
- B: Water pump
- C: Generator
- D: Air conditioner compressor
- E: Power steering fluid pump



ADI1073

### VG33E

- A : Crank pulley
- B : Water pump
- C : Alternator



- D : Air Conditioner compressor
- E : Power steering fluid pump
- ▲ : Tension checking points

ADI1074

### WARNING

**Be sure the ignition key is OFF or LOCK position. The engine could rotate unexpectedly.**

1. Visually inspect each belt for signs of unusual wear, cuts, fraying or looseness. If the belt is in poor condition or loose, have it replaced or adjusted by an authorized NISSAN dealer.
2. Have the belts checked regularly for condition and tension in accordance with the maintenance schedule found in the "Maintenance" section of this manual.



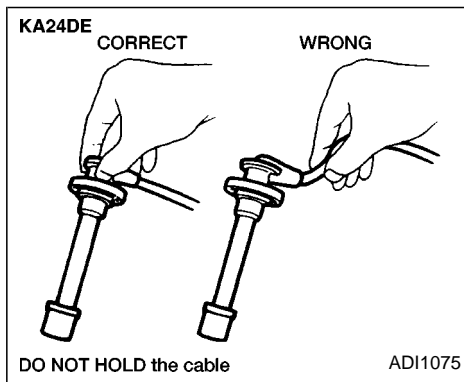
## SPARK PLUG REPLACEMENT

### WARNING

Be sure the engine and ignition switch are off and that the parking brake is engaged securely.

### CAUTION

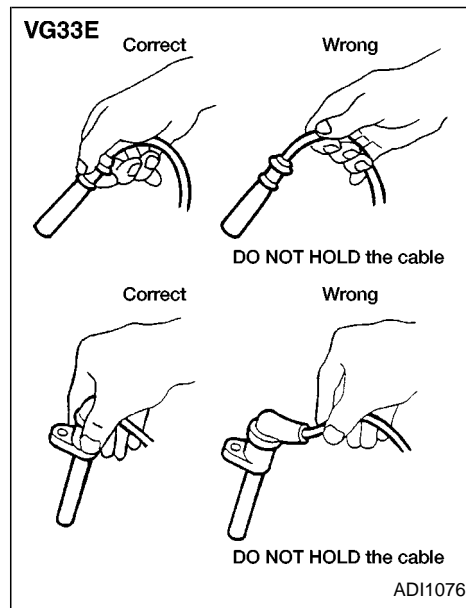
Be sure to use the correct socket to remove the spark plugs. An incorrect socket can damage the spark plugs.

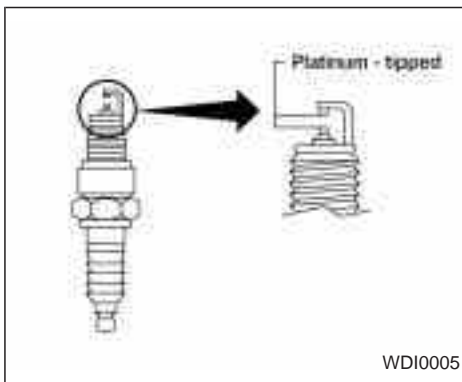


### Platinum-tipped spark plugs

It is not necessary to replace platinum-tipped spark plugs as frequently as conventional type spark plugs because they last much longer. Follow the maintenance schedule, but do not reuse the spark plugs by cleaning or regapping.

- Always replace spark plugs with recommended or equivalent ones.





**Spark plug tightening torque:  
14 to 22 ft-lb (20 to 29 N·m)**

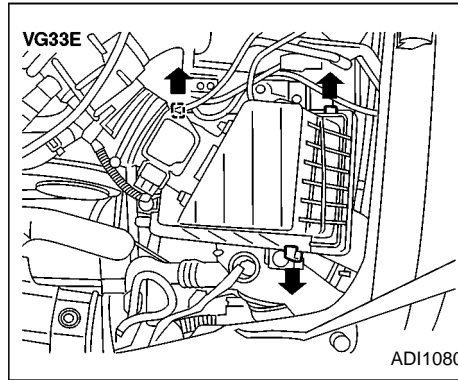
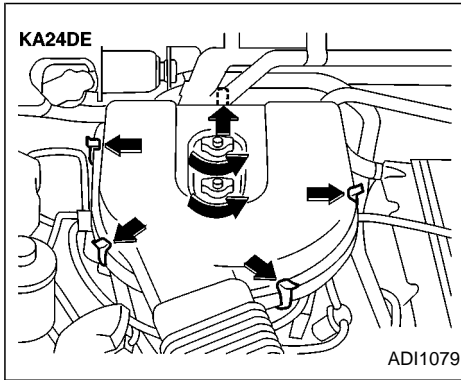
4. Reconnect the spark plug cables to their original positions.

1. Disconnect the spark plug cables.

**When disconnecting, always hold the boots — not the cables. Mark all cables to identify their original location.**

2. Remove the spark plugs with a spark plug socket.
3. Fit the new spark plugs, one at a time, into the spark plug socket and install them. **Use only the specified spark plugs.** Turn each plug several full turns by hand, then tighten with the spark plug socket to the correct torque. Do not over-tighten.

## AIR CLEANER HOUSING FILTER



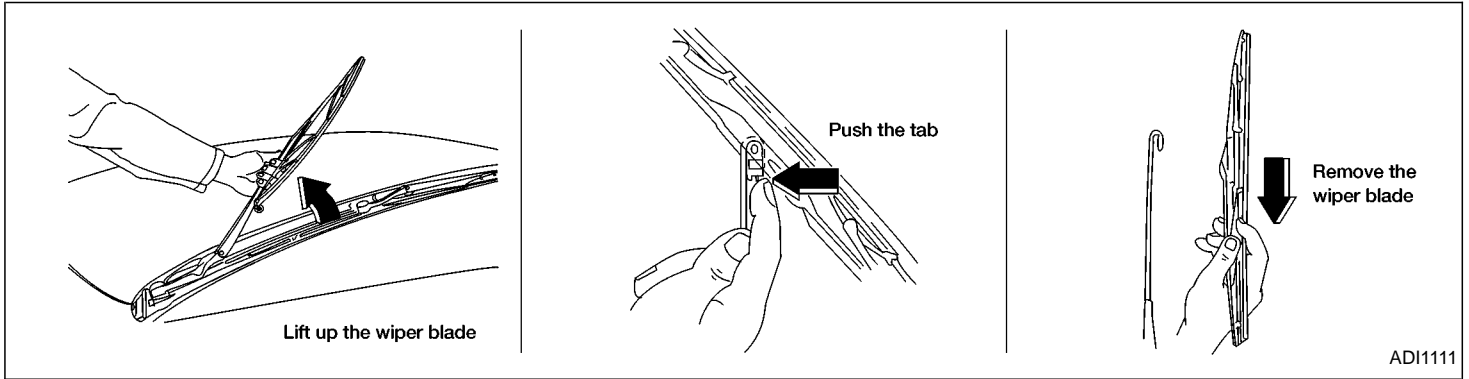
The filter element should not be cleaned and reused as it is given a special treatment. We recommend it be replaced according to the maintenance intervals shown in the "Maintenance" section of this manual. When replacing the filter, wipe the inside of the air cleaner housing and the cover with a damp cloth.

### WARNING

- Operating the engine with the air cleaner removed can cause you or others to be burned. The air cleaner not only cleans the air, it stops flame if the engine backfires. If it isn't there and the engine backfires, you could be burned. Do not drive with the air cleaner removed, and be careful when working on the engine with the air cleaner removed.

- Never pour fuel into the throttle body or attempt to start the engine with the air cleaner removed. Doing so could result in serious injury.

## WIPER BLADES



### **⚠ CAUTION**

- **After wiper blade replacement, return the wiper arm to its original position; otherwise it may be damaged when the engine hood is opened.**
- **Make sure the wiper blades contact the glass; otherwise the arms may be damaged from wind pressure.**

If your windshield is not clear after using the windshield washer or if a wiper blade chatters when running, wax or another material may be on the blade or windshield.

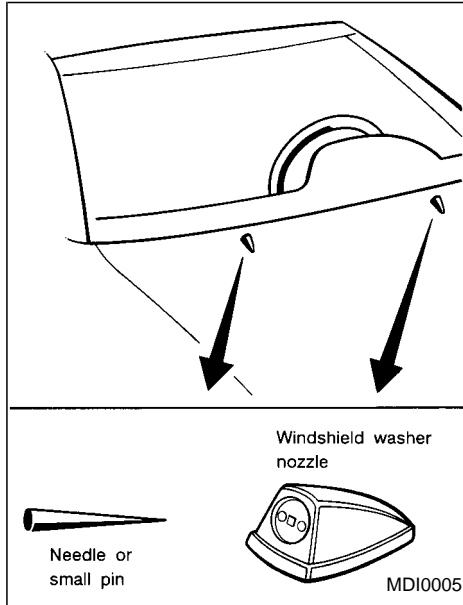
Clean the outside of the windshield with a washer solution or a mild detergent. Your windshield is clean if beads do not form when rinsing with clear water.

Clean the blade by wiping it with a cloth soaked in a washer solution or a mild detergent. Then rinse the blade with clear water. If your windshield is still not clear after cleaning the blades and using the wiper, replace the blades.

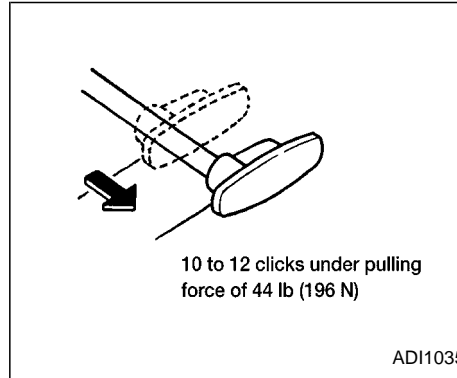
1. Lift the wiper arm away from the windshield.

2. Push the release tab, then move the wiper blade down the wiper arm to remove.
3. Remove the wiper blade.
4. Insert the new wiper blade onto the wiper arm until it clicks into place.

## PARKING BRAKE CHECK

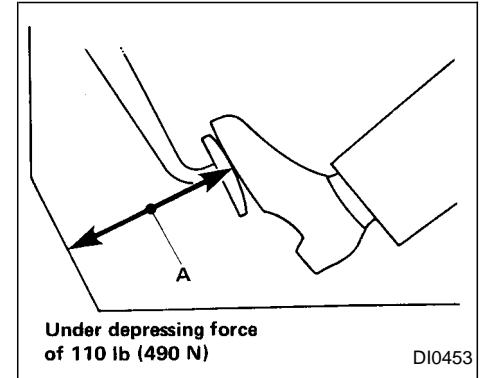


If you wax the surface of the hood, be careful not to let wax get into the washer nozzle. This may cause clogging or improper windshield washer operation. If wax gets into the nozzle, remove it with a needle or small pin.



Pull the parking brake lever out. If the number of clicks is out of the range listed above, see an authorized NISSAN dealer.

## BRAKE PEDAL



With the engine running, check distance A between the upper surface of the pedal and the metal floor.

### Distance A:

	Manual Transmission	Automatic Transmission
Rear Wheel ABS	4 1/8 in. (105mm)	4 1/2 in. (115mm)
Four Wheel ABS	4 in. (100mm)	4 1/4 in. (110mm)

If it is out of the range shown above, see an authorized NISSAN dealer.

## BRAKE BOOSTER

### Self-adjusting brakes

Your vehicle is equipped with self-adjusting brakes.

The front disc-type brakes self-adjust every time the brake pedal is applied. The rear drum-type brakes on two-wheel drive trucks self-adjust every time the parking brake is applied. The rear drum-type brakes on four-wheel drive trucks self-adjust every time the brake pedal is applied. If the brake pedal goes down farther than normal, it may be due to a lack of adjustment of the rear drum brakes. Apply the parking brake several times.

#### WARNING

**If the brake pedal height does not return to normal, see an authorized NISSAN dealer and have it checked.**

### Brake pad wear indicators

The disc brake pads on your vehicle have audible wear indicators. When a brake pad requires replacement, it will make a high pitched scraping or screeching sound when the vehicle is in motion whether or not the brake pedal is depressed. Have the brakes

checked as soon as possible if the wear indicator sound is heard.

Under some driving or climate conditions, occasional brake squeak, squeal or other noise may be heard. Occasional brake noise during light to moderate stops is normal and does not affect the function or performance of the brake system.

The rear drum brakes (if so equipped) do not have audible wear indicators. Should you ever hear an unusually loud noise from the rear drum brakes, have them inspected as soon as possible by an authorized NISSAN dealer.

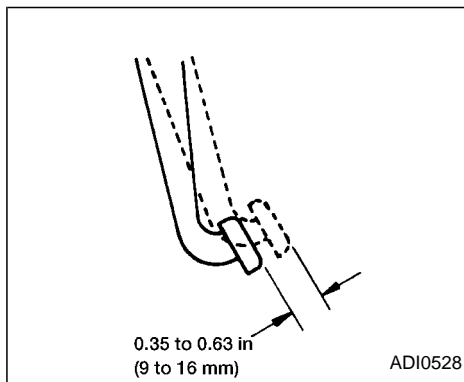
**Proper brake inspection intervals should be followed.** For more information regarding brake inspections, see the appropriate maintenance schedule information in the "Maintenance Schedule" section of this manual.

Check the brake booster function with the following steps:

1. With the engine off, press and release the brake pedal several times. When brake pedal movement (distance of travel) remains the same from one pedal application to the next, continue on to next step.
2. While depressing the brake pedal, start the engine. The pedal height should drop a little.
3. With the brake pedal depressed, stop the engine. Keeping the pedal depressed for about 30 seconds, the pedal height should not change.
4. Run the engine for one minute without depressing the brake pedal, then turn it off. Depress the brake pedal several times. The pedal travel distance will decrease gradually with each depression as the vacuum is released from the booster.

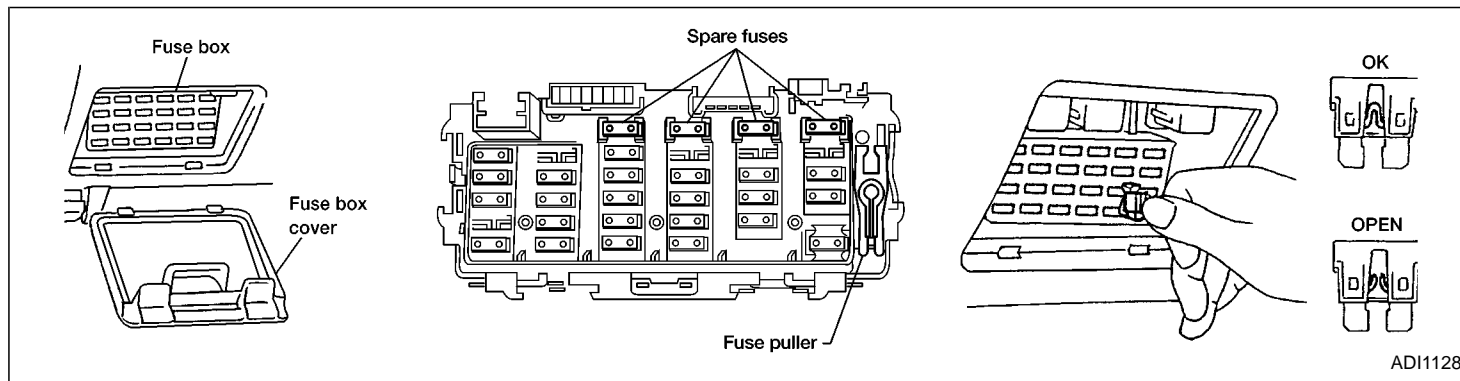
If the brakes do not operate properly, have the brakes checked by an authorized NISSAN dealer.

## CLUTCH PEDAL



Press the pedal by hand and be sure the free travel is within the above limit. If free travel is out of the range shown above, see an authorized NISSAN dealer.

## FUSES



AD11128

### Passenger compartment

#### **⚠ CAUTION**

**Never use a fuse of a higher amperage rating than specified on the fuse box cover. This could damage the electrical system or cause a fire.**

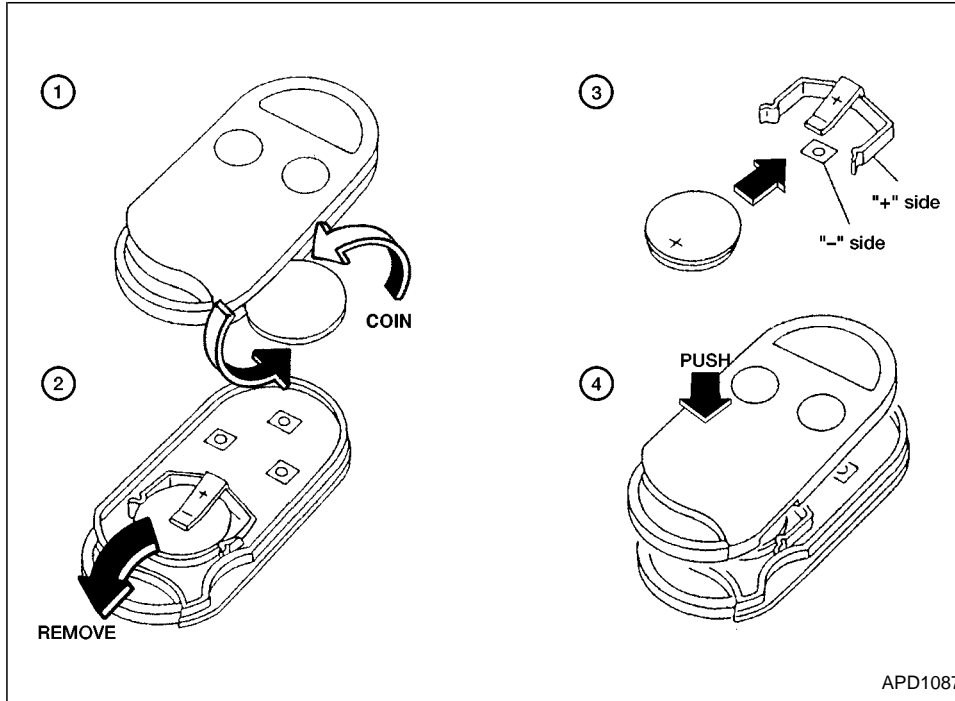
If the electrical equipment does not operate, check for an open fuse.

1. Be sure the ignition key and the headlight switch are OFF.
2. Remove the fuse box cover.


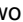
3. Remove the fuse with the fuse puller.
4. If the fuse is open, replace it with a new fuse.
5. If a new fuse opens again, have the electrical system checked and repaired by an authorized NISSAN dealer.



## MULTI-REMOTE CONTROLLER BATTERY REPLACEMENT



Replace the battery in the multi-remote controller as follows:

1. Open the lid using a coin.
2. Replace the battery with a new one. Recommended battery: Sanyo CR2025 or equivalent.
3. Close the lid securely.
4. Press the  button, then the  button two or three times to check the multi-remote controller operation.

**If the battery is removed for any reason other than replacement, perform step 4 above.**

- An improperly disposed battery can hurt the environment. Always confirm local regulations for battery disposal.
- The multi-remote controller is water-resistant; however, if it does get wet, immediately wipe completely dry.
- The operational range of the multi-remote controller extends to approximately 33 ft (10 m) from the vehicle. This range may vary with conditions.

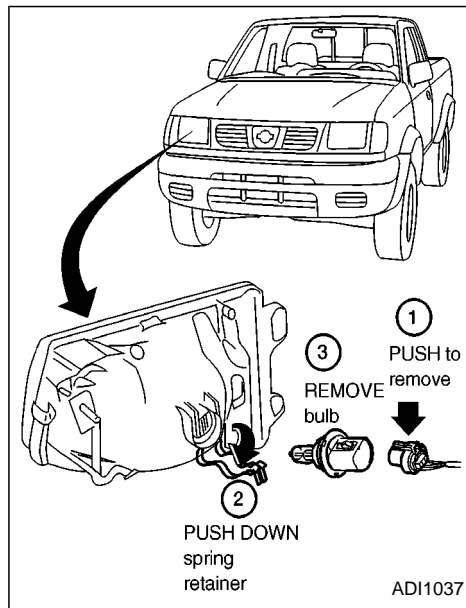
**FCC Notice:**

**Changes or modification not expressly approved by the manufacturer for compliance could void the user's authority to operate the equipment.**

**This device complies with part 15 of the FCC Rules and RSS-210 of Industry Canada.**

**Operation is subject to the following two conditions: (1) This device may not cause harmful interference, and (2) this device must accept any interference received including interference that may cause undesired operation of the device.**

## LIGHT BULBS



## HEADLIGHTS

The headlight is a semi-sealed beam type which uses a replaceable headlight (halogen) bulb.

### ⚠ CAUTION

- High pressure halogen gas is sealed inside the halogen bulb. The bulb may break if the glass envelope is scratched or the bulb is dropped.
- When handling the bulb, do not touch the glass envelope.

## Replacing the headlight bulb

1. Open the engine hood.
2. Disconnect the negative (-) battery cable.
3. Disconnect the electrical connector from the rear end of the bulb.
4. Push down the spring retainer.
5. Remove the headlight bulb. Do not shake or rotate the bulb when removing it.
6. Install the new bulb in the reverse order of removal.

- Be sure the lip of the bulb socket contacts the headlight body.

**DO NOT TOUCH THE BULB.**

### ⚠ CAUTION

- Use the same number and wattage as originally installed:

Wattage 65/45  
Bulb No. HB1/9004\*

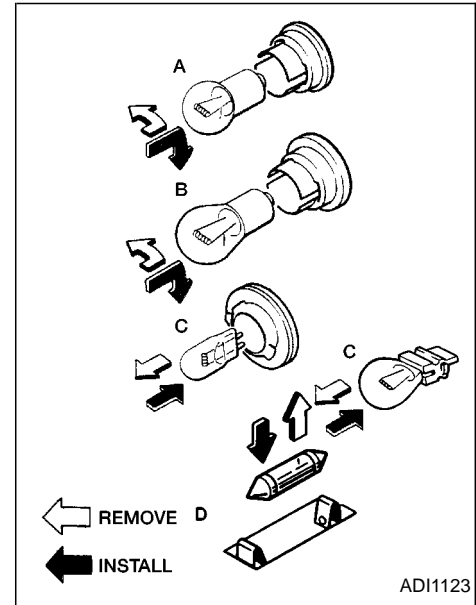
\*: Always check with the Parts Department at an authorized NISSAN dealer for the latest parts information.

- Aiming is not necessary after replacing the bulb. When aiming adjustment is necessary, contact an authorized NISSAN dealer.
- Do not leave the bulb out of the headlight reflector for a long period of time as dust, moisture, and smoke may enter the headlight body and affect the performance of the headlight.
- When aiming adjustment is necessary, contact an authorized NISSAN dealer.

## BULB REPLACEMENT

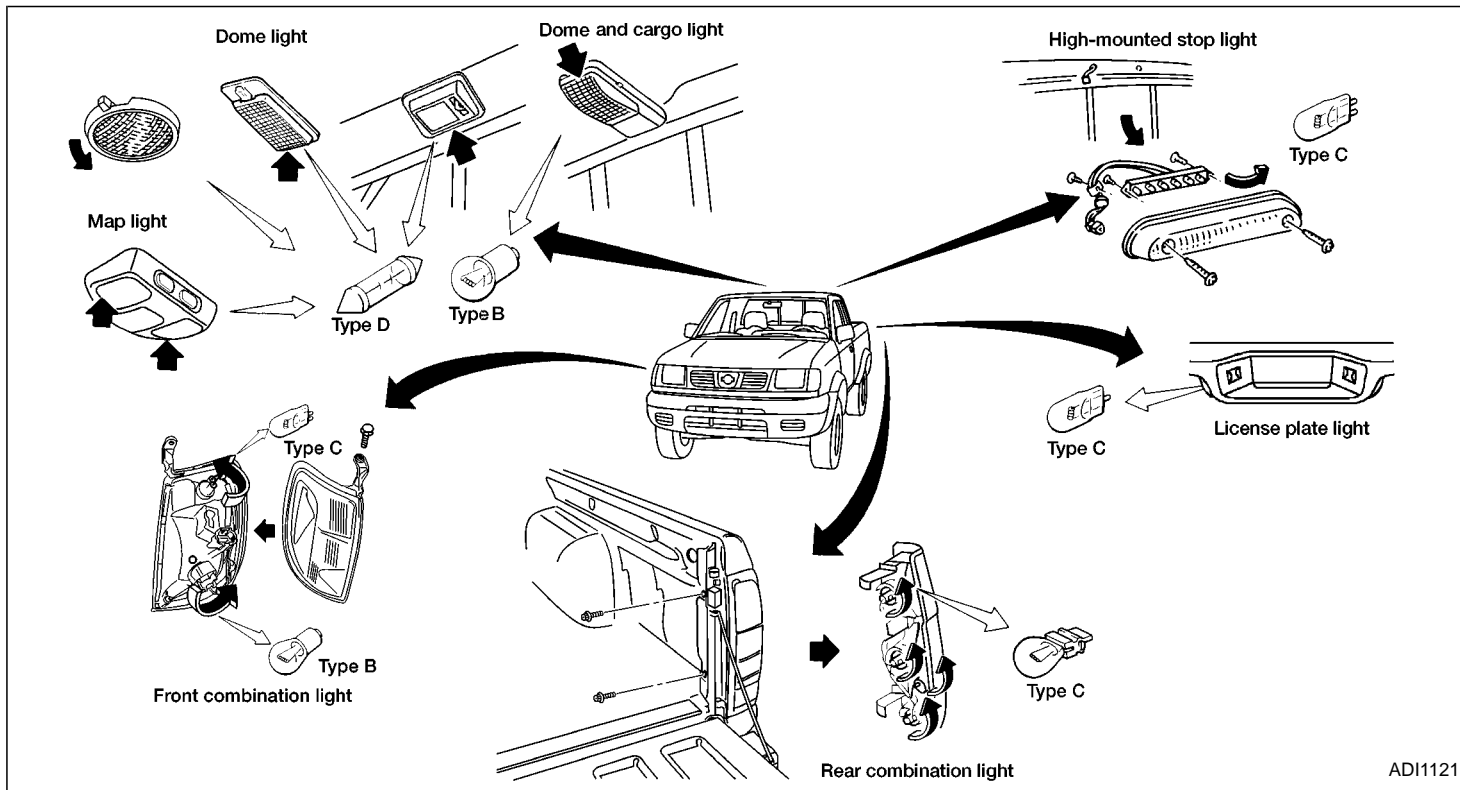
Item	Wattage (W)	Bulb No.*
Front combination light:		
Turn signal light	27	1156NA
Parking light	3.8	194
Rear combination light:		
Turn signal	27	3157
Stop/Tail	27/7	3157NA
Back-up	27	3156
License plate light	3.8	168
Fog light	35	H3
Dome light type A	—	83
Dome light type B	—	—
Dome light type C	—	—
Dome and cargo light	10	—
Map light	8	578
High-mounted stop light	2.3	2723

\*: Always check with the Parts Department at an authorized NISSAN dealer for the latest parts information.

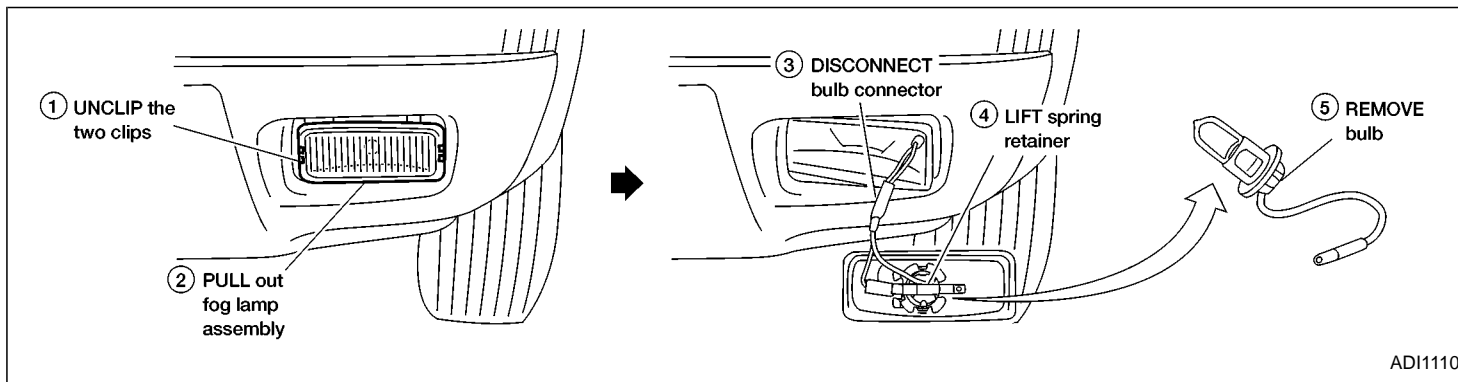


### Replacing procedures

All other lights are either type A, B, C or D. When replacing a bulb, first remove the lens and/or cover.



AD11121



ADI1110

## FRONT FOG LIGHT BULB REPLACEMENT (if so equipped)

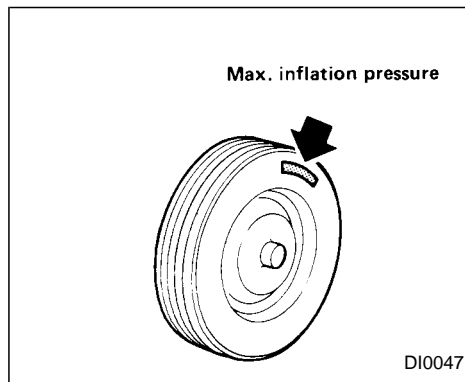
### **⚠ CAUTION**

- High pressure halogen gas is sealed inside the halogen bulb. The bulb may break if the glass envelope is scratched or the bulb is dropped.
- When handling the bulb, do not touch the glass envelope.

2. Pull out and support the fog lamp assembly.
3. Disconnect the fog lamp bulb connector.
4. Lift the spring retainer.
5. Remove the fog lamp bulb.
- The fog lamp bulb can not be separated from the wire and is serviced as an assembly.
6. Install the new bulb in the reverse order of removal. **DO NOT TOUCH THE BULB.**

1. Unclip the two metal clips on the side of the fog lamp.

## WHEELS AND TIRES



If you have a flat tire, see the “In case of emergency” section of this manual.

### Maximum inflation pressure

Do not exceed the maximum inflation pressures shown on the side wall of the tire.

### Tire inflation pressure

Periodically check the tire pressure (including the spare). Tire pressure should be checked when tires are COLD. COLD tire pressures are shown on the tire placard affixed to the inside of the glove box lid.

**Incorrect tire pressure may adversely**

affect tire life and vehicle handling.

### COLD pressure:

After vehicle has been parked for three hours or more or driven less than 1 mile (1.6 km).

#### **⚠ WARNING**

- Improperly inflated tires can fail suddenly and cause an accident
- The vehicle weight capacity is indicated on the F.M.V.S.S. certification label. Do not load your vehicle beyond this capacity. Overloading your vehicle may result in reduced tire life, unsafe operating conditions due to premature tire failure, or unfavorable handling characteristics and could also lead to a serious accident. Loading beyond the specified capacity may also result in failure of other vehicle components.
- Before taking a long trip, or whenever you heavily load your vehicle, use a tire pressure gauge to ensure that the tire pressure is at the specified level.
- Do not drive your vehicle over 85

MPH (140 km/h) unless it is equipped with high speed rated tires. Driving faster than 85 MPH (140 km/h) may result in tire failure, loss of control and possible injury.

### Types of tires

#### **⚠ WARNING**

When changing or replacing tires, be sure all four tires are of the same type (i.e., summer, all season or snow) and construction. An authorized NISSAN dealer may be able to help you with information about tire type, size, speed rating and availability. Replacement tires may have a lower speed rating than the factory equipped tires, and may not match the potential maximum vehicle speed. Never exceed the maximum speed rating of the tire.

### All season tires

NISSAN specifies All Season tires on some models to provide good performance for use all year around, including snowy and icy road conditions. All Season Tires are identified by “ALL SEASON” and/or “M&S” on

the tire sidewall. Snow tires have better snow traction than All Season tires and may be more appropriate in some areas.

## Summer tires

NISSAN specifies summer tires on some models to provide superior performance on dry roads. Summer tire performance in snow and ice will be substantially reduced. Summer tires do not have the tire traction rating “M&S” on the tire sidewall.

If you plan to operate your vehicle in snowy or icy conditions, NISSAN recommends the use of “SNOW” or “ALL SEASON” tires on all four wheels.

## Snow tires

If snow tires are needed, it is necessary to select tires equivalent in size and load rating to the original equipment tires. If you do not, it can adversely affect the safety and handling of your vehicle.

If you install snow tires, they must be the same size, brand, construction and tread pattern on all four wheels.

Generally, snow tires will have lower speed ratings than factory equipped tires and may not match the potential maximum vehicle

speed. Never exceed the maximum speed rating of the tire.

For additional traction on icy roads, studded tires may be used. However, some U.S. States and Canadian provinces prohibit their use. Check local, state and provincial laws before installing studded tires. Skid and traction capabilities of studded snow tires on wet or dry surfaces may be poorer than that of non-studded snow tires.

## Tire chains

Use of tire chains may be prohibited according to location. Check the local laws before installing tire chains. When installing tire chains, make sure they are the proper size for the tires on your vehicle and are installed according to the chain manufacturer's suggestions. **Use only SAE class “S” chains.** Other types may damage your vehicle. Use chain tensioners when recommended by the tire chain manufacturer to ensure a tight fit. Loose end links of the tire chain must be secured or removed to prevent the possibility of whipping action damage to the fenders or undercarriage. If possible, avoid fully loading your vehicle when using tire chains. In addition, drive at a reduced speed. Otherwise, your vehicle may be damaged

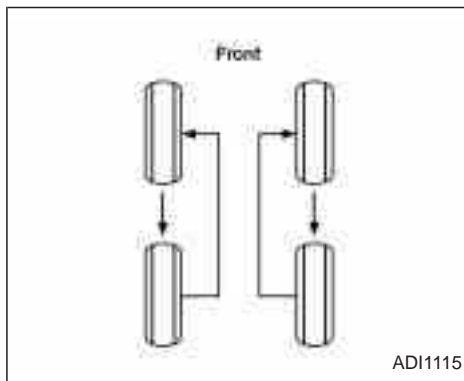
and/or vehicle handling and performance may be adversely affected.

Never install tire chains on a TEMPORARY USE ONLY spare tire.

**Tire chains must be installed only on the rear wheels and not on the front wheels.**

Do not use tire chains on dry roads. Driving with chains in such conditions can cause damage to the various mechanisms of the vehicle due to some overstress. When driving on clear paved roads, be sure to change to 2WD.





### Tire rotation

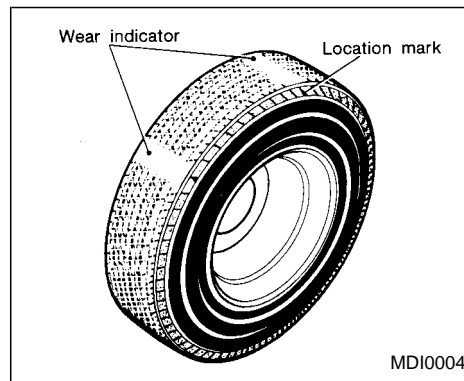
NISSAN recommends rotating the tires every 7,500 miles (12,000 km).

See “Flat tire” in the “In case of emergency” section for tire replacing procedures.

**Wheel nut tightening torque:**  
87 to 108 ft-lb (118 to 147 N·m)

### **⚠ WARNING**

- After rotating the tires, check and adjust the tire pressure.
- Retighten the wheel nuts when the vehicle has been driven for 600 miles (1,000 km) (also in cases of a flat tire, etc.).
- Do not include the spare tire in the tire rotation.



### Tire wear and damage

### **⚠ WARNING**

- Tires should be periodically inspected for wear, cracking, bulging or objects caught in the tread. If excessive wear, cracks, bulging or deep cuts are found, the tire(s) should be replaced.
- The original tires have a built-in tread wear indicator. When the wear indicators are visible, the tire(s) should be replaced.

- Improper service of the spare tire may result in serious personal injury. If it is necessary to repair the spare tire, contact an authorized NISSAN dealer.

### Changing tires and wheels

When replacing a tire, use the same size, tread design, speed rating and load carrying capacity as originally equipped. Recommended types and sizes are shown in "Wheel/tire size" in the "Technical and consumer information" section of this manual.

#### WARNING

- The use of tires other than those recommended or the mixed use of tires of different brands, construction (bias, bias-belted or radial), or tread patterns can adversely affect the ride, braking, handling, ground clearance, body-to-tire clearance, tire chain clearance, speedometer calibration, headlight aim and bumper height. Some of these effects may lead to accidents and could result in serious personal injury.

- If the wheels are changed for any reason, always replace with wheels which have the same offset dimension. Wheels of a different offset could cause pre-mature tire wear, degrade vehicle handling characteristics and/or interference with the brake discs/drums. Such interference can lead to decreased braking efficiency and/or early brake pad/shoe wear. Refer to "Wheel/tire size" in the "Technical and consumer information" section of this manual for wheel off-set dimensions.
- Do not install a deformed wheel or tire even if it has been repaired. Such wheels or tires could have unknown structural damage and could fail without warning.
- The use of retread tires is not recommended.

## FOUR-WHEEL DRIVE MODELS

### CAUTION

Always use tires of the same size, brand, construction (bias, bias-belted or radial), and tread pattern on all four wheels. Failure to do so may result in a circumference difference between tires on the front and rear axles which will cause excessive tire wear and may damage the transmission, transfer case and differential gears.

If excessive tire wear is found, it is recommended that all four tires be replaced with tires of the same size, brand, construction and tread pattern. The tire pressure and wheel alignment should also be checked and corrected as necessary. Contact an authorized NISSAN dealer.

### Wheel balance

Unbalanced wheels may affect vehicle handling and tire life. Even with regular use, wheels can get out of balance. Therefore, they should be balanced as required.

Wheel balance service should be performed

with the wheels off the vehicle. Spin balancing the front wheels on the vehicle could lead to transmission damage.

## Care of wheels

- Wash the wheels when washing the vehicle to maintain their appearance.
- Clean the inner side of the wheels when the wheel is changed or the underside of the vehicle is washed.
- Do not use abrasive cleaners when washing the wheels.
- Inspect wheel rims regularly for dents or corrosion. This may cause loss of pressure or damage the tire bead.
- NISSAN recommends waxing the road wheels to protect against road salt in areas where it is used during winter.

## Spare tire

Your vehicle may be equipped with a TEMPORARY USE ONLY spare tire.

To avoid property damage or personal injury when using the TEMPORARY USE ONLY spare tire, observe the following cautions:

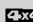
### WARNING

- The spare tire should be used for emergency use only. It should be replaced with the standard tire at the first opportunity to avoid possible tire or differential damage.
- Drive carefully while the TEMPORARY USE ONLY spare tire is installed. Avoid sharp turns and abrupt braking while driving.
- Periodically check spare tire inflation pressure. Always keep the pressure of the TEMPORARY USE ONLY spare tire at 60 psi (420 kPa, 4.2 bar). Always keep the pressure of the full size spare tire (if so equipped) at the recommended pressure for standard tires, as indicated on the tire placard. For tire placard location, see "Tire placard" in the index of this manual .
- With the TEMPORARY USE ONLY spare tire installed do not drive the vehicle at speeds faster than 50 MPH (80 km/h).
- When driving on roads covered with snow or ice, the TEMPORARY USE ONLY spare tire should be used on

the front wheels and the original tire used on the rear wheels (drive wheels). Use tire chains only on the two rear original tires.

- Tire tread of the TEMPORARY USE ONLY spare tire will wear at a faster rate than the standard tire. Replace the spare tire as soon as the tread wear indicators appear.
- Do not use the spare tire on other vehicles.
- Do not use more than one spare tire at the same time.
- Do not tow a trailer when the TEMPORARY USE ONLY spare tire is installed.

### CAUTION

-  With the spare tire installed the transfer control lever must be in the 2H position to prevent the transfer case and differential gears from being damaged.
- Do not use tire chains on a TEMPORARY USE ONLY spare tire. Tire

chains will not fit properly and may cause damage to the vehicle.

- Because the **TEMPORARY USE ONLY** spare tire is smaller than the original tire, ground clearance is reduced. To avoid damage to the vehicle, do not drive over obstacles. Also, do not drive the vehicle through an automatic car wash since it might get caught.

# 9 Maintenance

General maintenance .....	9-2	Periodic maintenance schedules .....	9-5
Outside the vehicle.....	9-2	Schedule one .....	9-5
Inside the vehicle .....	9-3	Schedule two.....	9-5
Under the hood and vehicle .....	9-4	Explanation of maintenance items.....	9-10



## GENERAL MAINTENANCE

Your new NISSAN has been designed to have minimum maintenance requirements with longer service intervals to save you both time and money. However, some day-to-day and regular maintenance is essential to maintain your NISSAN's good mechanical condition, as well as its emission and engine performance.

It is the owner's responsibility to make sure that the specified maintenance, as well as general maintenance, is performed.

As the vehicle owner, you are the only one who can ensure that your vehicle receives proper maintenance. You are a vital link in the maintenance chain.

### General maintenance

General maintenance includes those items which should be checked during normal day-to-day operation of the vehicle. They are essential if your vehicle is to continue to operate properly. It is your responsibility to perform these maintenance procedures regularly as prescribed.

These checks or inspections can be done by yourself, a qualified technician or, if you prefer, an authorized NISSAN dealer.

### 9-2 Maintenance

### Periodic maintenance

The maintenance items listed under periodic maintenance in this section are required to be serviced at regular intervals.

However, under severe driving conditions, additional or more frequent maintenance will be required.

### Where to go for service

If maintenance service is required or your vehicle appears to malfunction, have the systems checked and tuned by an authorized NISSAN dealer.

NISSAN technicians are well-trained specialists who are kept up to date with the latest service information through technical bulletins, service tips, and in-dealership training programs. They are completely qualified to work on NISSAN vehicles **before** they work on your vehicle, rather than after they have worked on it.

You can be confident that an authorized NISSAN dealer's service department performs the best job to meet the maintenance requirements on your vehicle — in a reliable and economic way.

During the normal day-to-day operation of the vehicle, general maintenance should be performed regularly as prescribed in this section. If you detect any unusual sounds, vibrations or smells, be sure to check for the cause or have an authorized NISSAN dealer do it promptly. In addition, you should notify an authorized NISSAN dealer if you think that repairs are required.

When performing any checks or maintenance work, closely observe the precautions in the "Do-it-yourself" section of this manual.

### OUTSIDE THE VEHICLE

The maintenance items listed here should be performed from time to time, unless otherwise specified.

**Additional information on the following items with "\*" is found in the "Do-it-yourself" section of this manual.**

**Tires\*** Check the pressure with a gauge periodically when at a service station, including the spare, and adjust to the specified pressure if necessary. Check carefully for damage, cuts or excessive wear.

**Wheel nuts\*** When checking the tires, make

sure no wheel nuts are missing, and check for any loose wheel nuts. Tighten if necessary.

**Tire rotation\*** Tires should be rotated every 7,500 miles (12,000 km).

**Wheel alignment and balance** If the vehicle should pull to either side while driving on a straight and level road, or if you detect uneven or abnormal tire wear, there may be a need for wheel alignment.

If the steering wheel or seat vibrates at normal highway speeds, wheel balancing may be needed.

**Windshield wiper blades\*** Check for cracks or wear if they do not wipe properly.

**Doors, hood and tailgate** Check that the doors, hood and tailgate operate properly. Also ensure that all latches lock securely. Lubricate hinges, latches, latch pins, rollers and links as necessary. Make sure that the secondary latch keeps the hood from opening when the primary latch is released.

When driving in areas using road salt or other corrosive materials, check lubrication frequently.

**Lights\*** Make sure that the headlights, stop lights, tail lights, turn signal lights, and other

lights are all operating properly and installed securely. Also check headlight aim.

## INSIDE THE VEHICLE

The maintenance items listed here should be checked on a regular basis, such as when performing periodic maintenance, cleaning the vehicle, etc.

**Additional information on the following items with an “\*” is found in the “Do-it-yourself” section of this manual.**

**Warning lights and chimes** Make sure all warning lights and chimes are operating properly.

**Windshield wiper and washer\*** Check that the wipers and washer operate properly and that the wipers do not streak.

**Windshield defroster** Check that the air comes out of the defroster outlets properly and in sufficient quantity when operating the heater or air conditioner.

**Steering wheel** Check for changes in the steering conditions, such as excessive free-play, hard steering or strange noises.

**Seats** Check seat position controls such as seat adjusters, seatback recliner, etc. to

ensure they operate smoothly and all latches lock securely in every position. Check that the head restraints move up and down smoothly and the locks (if so equipped) hold securely in all latched positions.

**Seat belts** Check that all parts of the seat belt system (e.g., buckles, anchors, adjusters and retractors) operate properly and smoothly, and are installed securely. Check the belt webbing for cuts, fraying, wear or damage.

**Accelerator pedal** Check the pedal for smooth operation and make sure the pedal does not catch or require uneven effort. Keep the floor mat away from the pedal.

**Clutch pedal\*** Make sure the pedal operates smoothly and check that it has the proper free travel.

**Brakes** Check that the brakes do not pull the vehicle to one side when applied.

**Brake pedal and booster\*** Check the pedal for smooth operation and make sure it has the proper distance under it when depressed fully. Check the brake booster function. Be certain to keep the floor mat away from the pedal.

**Parking brake\*** Check that the lever has the proper travel and confirm that your vehicle is held securely on a fairly steep hill with only the parking brake applied.

**Automatic transmission Park position mechanism** Check that the lock release button on the selector lever operates properly and smoothly. On a fairly steep hill check that your vehicle is held securely with the selector lever in the P position without applying any brakes.

## UNDER THE HOOD AND VEHICLE

The maintenance items listed here should be checked periodically (e.g., each time you check the engine oil or refuel).

**Additional information on the following items with an “\*” is found in the “Do-it-yourself operations” section.**

**Windshield washer fluid\*** Check that there is adequate fluid in the reservoir.

**Engine coolant level\*** Check the coolant level when the engine is cold.

**Radiator and hoses** Check the front of the radiator and clean off any dirt, insects, leaves, etc., that may have accumulated.

### 9-4 Maintenance

Make sure the hoses have no cracks, deformation, rot or loose connections.

**Brake and clutch fluid levels\*** Make sure that the brake and clutch fluid level is between the MIN and MAX lines on the reservoir.

**Battery\*** Check the fluid level in each cell. It should be between the MAX and MIN lines.

**Engine drive belts\*** Make sure the drive belts are not frayed, worn, cracked or oily.

**Engine oil level\*** Check the level after parking the vehicle on a level surface with the engine off. Wait a few minutes for the oil to drain back into the oil pan.

**Power steering fluid level\* and lines** Check the level when the fluid is cold, with the engine off. Check the lines for proper attachment, leaks, cracks, etc.

**Automatic transmission fluid level\*** Check the level after putting the selector lever in P with the engine idling at operating temperature.

**Exhaust system** Make sure there are no loose supports, cracks or holes. If the sound of the exhaust seems unusual or there is a smell of exhaust fumes, immediately have

the exhaust system inspected by an authorized NISSAN dealer. See the carbon monoxide warning in the “Starting and driving” section of this manual.

**Underbody** The underbody is frequently exposed to corrosive substances such as those used on icy roads or to control dust. It is very important to remove these substances from the underbody, otherwise rust may form on the floor pan, frame, fuel lines and exhaust system. At the end of winter, the underbody should be thoroughly flushed with plain water, in those areas where mud and dirt may have accumulated. See the “Appearance and care” section of this manual.

**Fluid leaks** Check under the vehicle for fuel, oil, water or other fluid leaks after the vehicle has been parked for a while. Water dripping from the air conditioner after use is normal. If you should notice any leaks or if gasoline fumes are evident, check for the cause and have it corrected immediately.



## PERIODIC MAINTENANCE SCHEDULES

To ensure smooth, trouble-free, safe and economical driving, NISSAN provides two periodic maintenance schedules that may be used, depending upon the conditions in which you usually drive. These schedules contain both distance and time intervals, up to 60,000 miles (96,000 km)/48 months. For most people, the odometer reading will indicate when service is needed. However, if you drive very little, your vehicle should be serviced at the regular time intervals shown in the schedule.

**After 60,000 miles (96,000 km)/48 months, continue periodic maintenance at the same mileage/time intervals.**

### SCHEDULE ONE

Follow Periodic Maintenance Schedule one if your driving habits frequently include one or more of the following driving conditions:

- **Repeated short trips of less than 5 miles (8 km).**
- **Repeated short trips of less than 10 miles (16 km) with outside temperatures below freezing.**
- **Operating the vehicle in hot weather**

**during stop-and-go “rush hour” traffic.**

- **Extensive idling and/or low speed driving for long distances, such as police, taxi or door-to-door delivery use.**
- **Driving in dusty conditions.**
- **Driving on rough, muddy, or salt spread roads.**
- **Towing a trailer, using a camper or a car-top carrier.**

### SCHEDULE TWO

Follow Periodic Maintenance Schedule two if none of the driving conditions shown in Schedule one apply to your driving habits.

### Maintenance for off-road driving (4x4 only)

Whenever you drive off-road through sand, mud or water as deep as the wheel hub, more frequent maintenance may be required of the following items:

- ▲ Brake pads and rotors
- ▲ Brake linings and drums
- ▲ Brake lines and hoses
- ▲ Wheel bearing grease and free-running hub grease
- ▲ Differential, transmission and transfer oil
- ▲ Steering linkage
- ▲ Propeller shafts and front drive shafts
- ▲ Air cleaner filter

These items should be checked frequently to assure safe and proper operation of your vehicle.

## Schedule One

Abbreviations: R = Replace I = Inspect. Correct or replace if necessary. [ ]: At the mileage intervals only

MAINTENANCE OPERATION	MAINTENANCE INTERVAL																	
	Miles × 1,000 (km × 1,000)	3.75 (6)	7.5 (12)	11.25 (18)	15 (24)	18.75 (30)	22.5 (36)	26.25 (42)	30 (48)	33.75 (54)	37.5 (60)	41.25 (66)	45 (72)	48.75 (78)	52.5 (84)	56.25 (90)	60 (96)	
Perform at number of miles, kilometers or months, whichever comes first.	Months	3	6	9	12	15	18	21	24	27	30	33	36	39	42	45	48	
<b>Emission control system maintenance</b>																		
Drive belts																		I*
Air cleaner filter	See NOTE (1)																	[R]
Positive crankcase ventilation (PCV) filter (KA24DE only)	See NOTE (2)																	[R]
EVAP vapor lines																		I*
Fuel lines																		I*
Fuel filter	See NOTE (2)*																	
Engine coolant	See NOTE (3)																	R*
Engine oil		R	R	R	R	R	R	R	R	R	R	R	R	R	R	R	R	R
Engine oil filter		R	R	R	R	R	R	R	R	R	R	R	R	R	R	R	R	R
Spark plugs (Use PLATINUM-TIPPED type)		Replace every 105,000 miles (168,000 km)																
Intake and exhaust valve clearance (KA24DE only)	See NOTE (4)																	
Timing belt (VG33E only)		Replace every 105,000 miles (168,000 km)																

**NOTE: (1) If operating mainly in dusty conditions, more frequent maintenance may be required.**

**(2) If vehicle is operated under extremely adverse weather conditions or in areas where ambient temperatures are either extremely low or extremely high, the filters might become clogged. In such an event, replace them immediately.**

**(3) After 60,000 miles (96,000 km) or 48 months, replace every 30,000 miles (48,000 km) or 24 months.**

**(4) If valve noise increases, inspect valve clearance.**

\* Maintenance items and intervals with an "\*" are recommended by NISSAN for reliable vehicle operation. The owner need not perform such maintenance in order to maintain the emission warranty or manufacturer recall liability. Other maintenance items and intervals are required.

## Schedule One

Abbreviations: R = Replace I = Inspect. Correct or replace if necessary. [ ]: At the mileage intervals only

MAINTENANCE OPERATION		MAINTENANCE INTERVAL																	
	Miles × 1,000	3.75	7.5	11.25	15	18.75	22.5	26.25	30	33.75	37.5	41.25	45	48.75	52.5	56.25	60		
Perform at number of miles, kilometers or months, whichever comes first.	(km × 1,000)	(6)	(12)	(18)	(24)	(30)	(36)	(42)	(48)	(54)	(60)	(66)	(72)	(78)	(84)	(90)	(96)		
	Months	3	6	9	12	15	18	21	24	27	30	33	36	39	42	45	48		
<b>Chassis and body maintenance</b>																			
Brake lines & cables					I					I				I					I
Brake pads, rotors, drums & linings			I		I		I		I		I		I		I		I		I
Automatic transmission, transfer & differential gear oil (exc. LSD)	See NOTE (1)				I				I				I						I
Limited-slip differential (LSD) gear oil	See NOTE (1)				I				R				I						I
Manual transmission oil	See NOTE (1)				I				I				I						[R]
Steering gear (box) & linkage, axle & suspension parts			I		I		I		I		I		I		I		I		I
Tire rotation	See NOTE (4)																		
Drive shaft boots & propeller shaft (4x4)			I		I		I		I		I		I		I		I		I
Front wheel bearing grease (4x2)									I										I
Front wheel bearing grease & free-running hub grease (4x4)	See NOTE (2)				I				R				I						R
Exhaust system			I		I		I		I		I		I		I		I		I
Supplemental air bag system	See NOTE (3)																		

**NOTE: (1) If towing a trailer, using a camper or a car-top carrier, or driving on rough or muddy roads, change (not just inspect) oil at every 30,000 miles (48,000 km) or 24 months except for LSD. Change LSD gear oil every 15,000 miles (24,000 km) or 12 months.**

**(2) If operating frequently in water, replace grease every 3,750 miles (6,000 km) or 3 months.**

**(3) Inspect the supplemental air bag system 10 years after the date of manufacture noted on the FMVSS certification label.**

**(4) Refer to "Tire rotation" under the "General maintenance" heading earlier in this section.**

## Schedule Two

Abbreviations: R = Replace

I = Inspect. Correct or replace if necessary.

[ ]: At the mileage intervals only

MAINTENANCE OPERATION	MAINTENANCE INTERVAL								
	Miles × 1,000 (km × 1,000)	7.5 (12)	15 (24)	22.5 (36)	30 (48)	37.5 (60)	45 (72)	52.5 (84)	60 (96)
Perform at number of miles, kilometers or months, whichever comes first.	Months	6	12	18	24	30	36	42	48
<b>Emission control system maintenance</b>									
Drive belts						I*			I*
Air cleaner filter						[R]			[R]
Positive crankcase ventilation (PCV) filter (KA24DE only)	See NOTE (1)					[R]			[R]
EVAP vapor lines						I*			I*
Fuel lines						I*			I*
Fuel filter	See NOTE (1)*								
Engine coolant	See NOTE (2)								R*
Engine oil		R	R	R	R	R	R	R	R
Engine oil filter		R	R	R	R	R	R	R	R
Spark plugs (Use PLATINUM-TIPPED type)									Replace every 105,000 miles (168,000 km)
Intake and exhaust valve clearance (KA24DE only)	See NOTE (3)								
Timing belt (VG33E only)									Replace every 105,000 miles (168,000 km)

**NOTE: (1) If vehicle is operated under extremely adverse weather conditions or in areas where ambient temperatures are either extremely low or extremely high, the filters might become clogged. In such an event, replace them immediately.**

**(2) After 60,000 miles (96,000 km) or 48 months, replace every 30,000 miles (48,000 km) or 24 months.**

**(3) If valve noise increases, inspect valve clearance.**

\* Maintenance items and intervals with an "\*" are recommended by NISSAN for reliable vehicle operation. The owner need not perform such maintenance in order to maintain the emission warranty or manufacturer recall liability. Other maintenance items and intervals are required.

## Schedule Two

Abbreviations: R = Replace I = Inspect. Correct or replace if necessary.

[ ]: At the mileage intervals only

MAINTENANCE OPERATION	MAINTENANCE INTERVAL									
	Miles × 1,000 (km × 1,000)	7.5 (12)	15 (24)	22.5 (36)	30 (48)	37.5 (60)	45 (72)	52.5 (84)	60 (96)	
	Months	6	12	18	24	30	36	42	48	
<b>Chassis and body maintenance</b>										
Brake lines & cables			I		I		I		I	
Brake pads, rotors, drums & linings			I		I		I		I	
Automatic transmission, transfer & differential gear oil (exc. LSD)			I		I		I		I	
Manual transmission oil			I		I		I		I	[R]
Limited-slip differential (LSD) gear oil			I		R		I		R	
Steering gear (box) & linkage, axle & suspension parts					I				I	
Tire rotation	See NOTE (2)									
Drive shaft boots ( <del>4x4</del> )			I		I		I		I	
Front wheel bearing grease (4x2)					I				I	
Front wheel bearing grease & free-running hub grease ( <del>4x4</del> )			I		R		I		R	
Exhaust system					I				I	
Supplemental air bag system	See NOTE (1)									

**NOTE: (1) Inspect the supplemental air bag system 10 years after the date of manufacture noted on the FMVSS certification label.**

**(2) Refer to "Tire rotation" under the "General maintenance" heading earlier in this section.**

## EXPLANATION OF MAINTENANCE ITEMS

**Additional information on the following items with an “\*” is found in the “Do-it-yourself” section of this manual.**

### Emission control system maintenance

**Drive belts\*** Check drive belts for wear, fraying or cracking and also for proper tension. Replace any damaged drive belts.

**Air cleaner filter** Under normal driving conditions, the air cleaner filter should be replaced in accordance with the maintenance schedule. However, driving the vehicle in dusty areas may cause rapid clogging of the element. Consequently, the element may have to be replaced more frequently.

**Positive crankcase ventilation (PCV) filter** Under normal driving conditions, the filter should be replaced in accordance with the maintenance schedule. If the vehicle is operated under extremely adverse weather conditions or in areas where ambient temperatures are either extremely low or extremely high, the filter may become clogged

more rapidly. In such an event, replace the filter immediately.

**EVAP Vapor lines** Check vapor lines and connections for leaks, looseness, or deterioration. If leaks are found, replace the lines.

**Fuel lines (hoses, piping, connections, etc.)** Check the fuel hoses, piping and connections for leaks, looseness or deterioration. Replace any damaged parts.

**Fuel filter** If the vehicle is operated under extremely adverse weather conditions or in areas where ambient temperatures are either extremely low or extremely high, the filter might become clogged. In such an event, replace the filter immediately.

**Engine coolant\*** Flush and refill the cooling system.

**Engine oil and oil filter\*** Under normal driving conditions, the engine oil and oil filter should be replaced in accordance with the maintenance schedule. However, under severe driving conditions, they may have to be replaced more frequently.

**Spark plugs\*** Replace with new plugs having the correct heat range.


### Chassis and body maintenance

**Brake lines and cables** Check the brake lines and hoses (including brake booster vacuum hoses, connections & check valve) and parking brake cables for proper attachment, leaks, cracks, chafing, abrasion, deterioration, etc.


**Brake pads, rotors, drums and linings** Check these and the other brake components for wear, deterioration and leaks. Under severe driving conditions, they may have to be inspected more frequently.

**Manual and automatic transmission, transfer and differential gear oil** Visually inspect for signs of leakage and replace oil for limited-slip differential. Under severe driving conditions, the oil should be replaced at the specified interval.

**Steering gear (box) and linkage, axle and suspension parts and drive shaft boots** Check for damage, looseness and leakage of oil or grease. Under severe driving conditions, they may have to be inspected more frequently.

**Propeller shaft(s)** Check the propeller shaft(s) for damage, looseness and grease leakage under severe driving conditions (  only).

**Front wheel bearing grease and free-running hub grease** Check the wheel bearing for grease leakage around grease seals, axial end play and smooth turning. Repack these in accordance with the maintenance schedule (4x2).

Check the wheel bearing and free running hub for grease leakage around grease seals, axial end play and smooth turning. Repack these in accordance with the maintenance schedule. In case of frequent driving in muddy water, the bearing grease and free-running hub grease inspection should be performed more frequently (  ).

**Exhaust system** Visually check the exhaust pipes, muffler, and hangers for proper attachment, leaks, cracks, chafing, abrasion, deterioration, etc. Under severe driving conditions, inspection should be performed more frequently.

**Supplemental air bag system** Check the supplemental air bag system components for proper attachment, damage, deformities,

cracks, rust, etc. Work around and on the supplemental air bag system should be done by an authorized NISSAN dealer.

*MEMO*



# 10 Technical and consumer information

Capacities and recommended fuel/lubricants .....	10-2	Emission control information label .....	10-14
Fuel recommendation .....	10-4	Tire placard .....	10-14
Engine oil and oil filter recommendation .....	10-6	Air conditioner specification label .....	10-14
Recommended SAE viscosity number .....	10-7	Installing license plate .....	10-15
Air conditioner system refrigerant and lubricant recommendations .....	10-8	Vehicle loading information .....	10-15
Engine .....	10-9	Securing the load .....	10-16
Wheel/tire size .....	10-10	Truck-camper loading .....	10-17
Dimensions and weights .....	10-11	Trailer towing .....	10-21
Registering your vehicle in another country .....	10-12	Towing load/specification chart .....	10-23
Vehicle identification .....	10-12	Uniform tire quality grading .....	10-26
Vehicle identification number (VIN) plate .....	10-12	Emission control system warranty .....	10-27
Vehicle identification number (chassis number) .....	10-12	Reporting safety defects (USA) .....	10-27
Engine serial number .....	10-13	Readiness for inspection/maintenance (I/M) test (US only) .....	10-28
FMVSS certification label .....	10-13		



## CAPACITIES AND RECOMMENDED FUEL/ LUBRICANTS

The following are approximate capacities. The actual refill capacities may be a little different. When refilling, follow the procedure described in the “Do-it-yourself” section to determine the proper refill capacity.

				Capacity (Approximate)			Recommended Fluids & Lubricants
				US measure	Imp measure	Liter	
<b>Fuel</b>							
	KA24DE (4 cylinder)			15-7/8 gal	13-1/4 gal	60	Unleaded gasoline with an octane rating of at least 87 AKI (RON 91)*1
	VG33E (6 cylinder)			19-3/8 gal	16-1/8 gal	73	
<b>Engine oil</b>							
<b>Drain and Refill</b>							
	KA24DE						
	4x2	With oil filter		3-3/4 qt	3-1/8 qt	3.5	<ul style="list-style-type: none"> <li>● API Certification Mark *2</li> <li>● API grade SG/SH, Energy Conserving I &amp; II or API grade SJ, Energy Conserving *2</li> <li>● ILSAC grade GF-I &amp; GF-II*2</li> </ul>
		Without oil filter		3-1/2 qt	2-7/8 qt	3.3	
	4X4	With oil filter		4-1/8 qt	3-3/8 qt	3.9	
		Without oil filter		3-7/8 qt	3-1/4 qt	3.7	
	VG33E			3-1/2 qt	2-7/8 qt	3.3	
		Without oil filter		3-1/8 qt	2-5/8 qt	3.0	
<b>Cooling system (with heater and reservoir tank)</b>							
	KA24DE	M/T	4X2	9-5/8 qt	8 qt	9.15	50% Genuine NISSAN Anti-freeze coolant or equivalent 50% Demineralized or Distilled water
			4X4	9-3/4 qt	8-1/8 qt	9.25	
		A/T		9-1/2 qt	7-7/8 qt	8.95	
	VG33E	A/T & M/T		11-1/4 qt	9-3/8 qt	10.6	

\*1: For further details, see “Fuel recommendation”.

\*2: For further details, see “Recommended SAE engine oil viscosity”.

			Capacity (Approximate)			Recommended Fluids & Lubricants
			US measure	Imp measure	Liter	
Manual transmission gear oil	KA24DE	4x2	4-1/4 pt	3-1/2 pt	2.0	API GL-4*1 Viscosity SAE 75W-90 only
		4x4	10-3/8 pt	8-5/8 pt	4.9	
	VG33E	4x2	5-1/8 pt	4-1/4 pt	2.4	
		4x4	10-3/4 pt	9 pt	5.1	
Manual steering gear oil			1-3/8 pt	1-1/8 pt	0.62	API GL-4*1
Final drive	KA24DE	4x2 M/T				API GL-5*1
		Regular cab	3-1/8 pt	2-5/8 pt	1.5	
		King cab	2-3/4 pt	2-1/4 pt	1.3	
		4x2 A/T	3-1/8 pt	2-5/8 pt	1.5	
		4x4	Front	2-3/4 pt	2-1/4 pt	
	Rear		2-3/4 pt	2-1/4 pt	1.3	
	VG33E	4x4 Front	3-1/8 pt	2-5/8 pt	1.5	
		Rear	5-7/8 pt	4-7/8 pt	2.8	
Transfer fluid	KA24DE		2-3/8 qt	2 qt	2.2	Nissan Matic 'D' (Continental U.S. and Alaska) or Canada NISSAN Automatic Transmission Fluid or API GL-4. *4
	VG33E		2-3/8 qt	2 qt	2.2	
Automatic transmission fluid						Nissan Matic 'D' (Continental U.S. and Alaska) or Canada NISSAN Automatic Transmission Fluid. *4
Power steering fluid			Refill to the proper oil level according to the instructions in the "Do-it-yourself" section.			Genuine NISSAN PSF II or equivalent *7
Brake and clutch fluid						Genuine Nissan Brake Fluid*5 or equivalent DOT 3 (US FMVSS No. 116)
Multi-purpose grease			—	—	—	NLGI No. 2 (Lithium Complex)
Air conditioning system refrigerant		lb (kg)	1.32 - 1.54 (0.60 - 0.70)			HFC-134a (R-134a)*6
Air conditioning system lubricant			6.8 oz	7.0 oz	200 ml	Nissan A/C System Oil Type R or equivalent*6

\*1: For further details, see "Recommended SAE gear oil viscosity".

\*2: SAE 90 is acceptable in temperatures above 0°F (-18°C).

\*3: Contact your NISSAN dealer for a list of approved oils.

\*4: Dexron™ III/Mercon™ or equivalent may also be used. Outside the Continental United States and Alaska contact an authorized Nissan dealership for more information regarding suitable fluids, including recommended brand(s) of Dexron™ III/Mercon™ Automatic Transmission Fluid.

\*5: Available in mainland U.S.A. through an authorized NISSAN dealer.

\*6: For further details, see "Air conditioner specification label".

\*7: Genuine NISSAN PSF, Canada NISSAN Automatic Transmission Fluid, Dexron™ III/Mercon™, or equivalent ATF may also be used.

## FUEL RECOMMENDATION

Your vehicle is designed to operate on unleaded gasoline with an octane rating of at least 87 AKI (Anti-Knock Index) (Research octane number 91).

### CAUTION

- Using a fuel other than that specified could adversely affect the emission control system, and may also affect the warranty coverage.
- Under no circumstances should a leaded gasoline be used, since this will damage the three-way catalyst.

### Reformulated Gasoline

Some fuel suppliers are now producing reformulated gasolines. These gasolines are specially designed to reduce vehicle emissions. NISSAN supports efforts towards cleaner air and suggests that you use reformulated gasoline when available.

### Gasoline containing oxygenates

Some fuel suppliers sell gasoline containing oxygenates such as ethanol, MTBE and methanol with or without advertising their

presence. Nissan does not recommend the use of fuels of which the oxygenate content and the fuel compatibility for your NISSAN cannot be readily determined. If in doubt, ask your service station manager.

If you use oxygenate-blend gasoline, please take the following precautions as the usage of such fuels may cause vehicle performance problems and/or fuel system damage.

- The fuel should be unleaded and have an octane rating no lower than that recommended for unleaded gasoline.
- If an oxygenate-blend, excepting a methanol blend, is used, it should contain no more than 10% oxygenate. (MTBE may, however, be added up to 15%.)
- If a methanol blend is used, it should contain no more than 5% methanol (methyl alcohol, wood alcohol). It should also contain a suitable amount of appropriate cosolvents and corrosion inhibitors. If not properly formulated with appropriate cosolvents and corrosion inhibitors,

**such methanol blends may cause fuel system damage and/or vehicle performance problems. At this time, sufficient data is not available to ensure that all methanol blends are suitable for use in NISSAN vehicles.**

If any driveability problems such as engine stalling and hard hot starting are experienced after using oxygenate-blend fuels, immediately change to a non-oxygenate fuel or a fuel with a low blend of MTBE.

**Take care not to spill gasoline during refueling. Gasoline containing oxygenates can cause paint damage.**

### After Market Fuel Additives

NISSAN does not recommend the use of any fuel additives (i.e., fuel injector cleaner, octane booster, intake valve deposit removers, etc.) which are sold commercially. Many of these additives intended for gum, varnish or deposit removal may contain active solvents or similar ingredients that can be harmful to the fuel system and engine.

## Octane rating tips

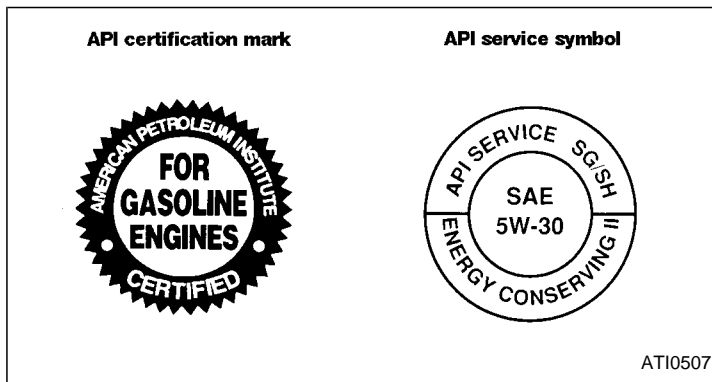
In most parts of North America, you should use unleaded gasoline with an octane rating of at least 87 AKI (Anti-Knock Index). However, you may use unleaded gasoline with an octane rating as low as 85 AKI in high altitude areas (over 4,000 ft [1,219 m]) such as: Colorado, Montana, New Mexico, Utah, Wyoming, northeastern Nevada, southern Idaho, western South Dakota, western Nebraska, and the part of Texas which is directly south of New Mexico.

**Using unleaded gasoline with an octane rating lower than stated above can cause persistent, heavy “spark knock.” (“Spark knock” is a metallic rapping noise.) If severe, this can lead to engine damage. If you detect a persistent heavy spark knock even when using gasoline of the stated octane rating, or if you hear steady spark knock while holding a steady speed on level roads, have an authorized NISSAN dealer correct the condition. Failure to correct the condition is misuse of the vehicle, for which NISSAN is not responsible.**

Incorrect ignition timing may result in spark knock, after-run and/or overheating, which

may cause excessive fuel consumption or engine damage. If any of the above symptoms are encountered, have your vehicle checked at an authorized NISSAN dealer.

**However, now and then you may notice light spark knock for a short time while accelerating or driving up hills. This is no cause for concern, because you get the greatest fuel benefit when there is light spark knock for a short time under heavy engine load.**



## ENGINE OIL AND OIL FILTER RECOMMENDATION

### Selecting the correct oil

It is essential to choose engine oil with the correct quality and viscosity to ensure satisfactory engine life and performance. NISSAN recommends the use of a low friction oil (energy conserving oil) in order to improve fuel economy and conserve energy. Oils which do not have the specified quality label should not be used as they could cause engine damage.

Only those engine oils with the American Petroleum Institute (API) CERTIFICATION MARK on the front of the container should be used. This type of oil supersedes the existing API SG, SH or SJ and Energy Conserving I & II categories.

If you cannot find engine oil with the API CERTIFICATION MARK, use an API grade SG/SH, Energy Conserving I & II or API grade SJ, Energy Conserving oil. An oil with a single designation SG or SH, or in combination with other categories (for example, SG/CC or SG/CD) may also be used if one with the API CERTIFICATION MARK cannot

be found. An ISLAC grade GF-I & GF-II oil can also be used.

Mineral based or synthetic type oils may be used in your NISSAN vehicle. These oils must however, meet the API quality and SAE viscosity ratings specified for your vehicle. Do not mix mineral based and synthetic type oils in the engine.

### Oil additives

NISSAN does not recommend the use of oil additives. The use of an oil additive is not necessary when the proper oil type is used and maintenance intervals are followed.

Oil which may contain foreign matter or has been previously used should not be used.

### Oil viscosity

The engine oil viscosity or thickness changes with temperature. Because of this, it is important that the engine oil viscosity be selected based on the temperatures at which the vehicle will be operated before the next oil change. The chart "Recommended SAE viscosity number" shows the recommended oil viscosities for the expected ambient temperatures. Choosing an oil viscosity other than that recommended

could cause serious engine damage.

## Selecting the correct oil filter

Your new NISSAN vehicle is equipped with a high-quality genuine NISSAN oil filter. When replacing, use a genuine NISSAN oil filter or its equivalent for the reason described in “Change intervals”.

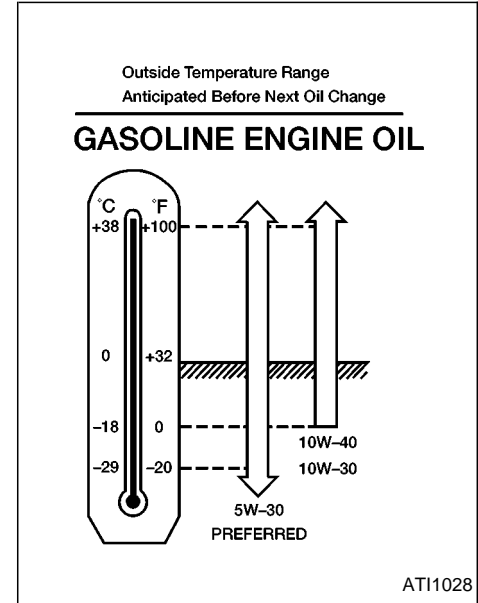
## Change intervals

The oil and oil filter change intervals for your engine are based on the use of the specified quality oils and filters. Oil and filter other than the specified quality, or oil and filter change intervals longer than recommended could reduce engine life. Damage to the engine caused by improper maintenance or use of incorrect oil filter quality and/or viscosity is not covered by the new NISSAN vehicle warranties.

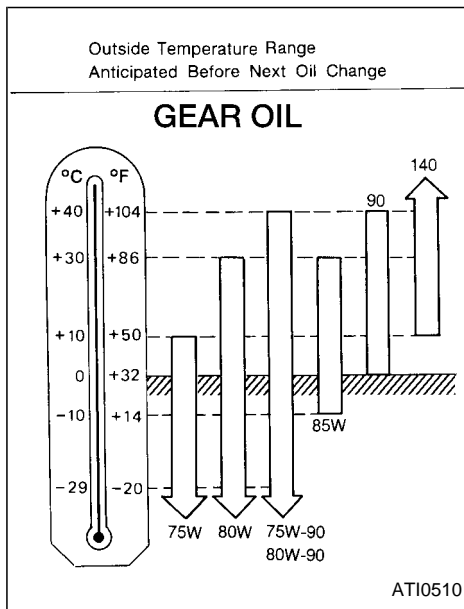
Your engine was filled with a high quality engine oil when it was built. You do not have to change the oil before the first recommended change interval. Oil and filter change intervals depend upon how you use your vehicle. Operation under the following conditions may require more frequent oil and filter changes:

- repeated short distance driving at cold outside temperatures,
- driving in dusty conditions,
- extensive idling,
- towing a trailer.

## RECOMMENDED SAE VISCOSITY NUMBER



- SAE 5W-30 viscosity oil is preferred for all temperatures. SAE 10W-30, SAE 10W-40 viscosity oils may be used if the ambient temperature is above 0°F (-18°C).



- **80W-90 for the differential and 75W-90 for the transfer case are preferable for ambient temperatures below 104°F (40°C).**

## AIR CONDITIONER SYSTEM REFRIGERANT AND LUBRICANT RECOMMENDATIONS

The air conditioner system in this NISSAN vehicle must be charged with the refrigerant HFC-134a (R-134a) and the lubricant, NISSAN A/C system lubricant Type R or the exact equivalents.

### ⚠ CAUTION

**The use of any other refrigerant or lubricant will cause severe damage to the air conditioning system and will require the replacement of all air conditioner system components.**

The refrigerant HFC-134a (R-134a) in your NISSAN vehicle does not harm the earth's ozone layer. Although this refrigerant does not affect the earth's atmosphere, certain government regulations require the recovery and recycling of any refrigerant during automotive air conditioner system service. An authorized NISSAN dealer has the trained technicians and equipment needed to recover and recycle your air conditioner system refrigerant.

Contact an authorized NISSAN dealer when

servicing your air conditioner system.



## ENGINE

Model		KA24DE	VG33E
Type		Gasoline, 4-cycle	Gasoline, 4-cycle
Cylinder arrangement		4-cylinder in-line	6-cylinder, V-slanted at 60°
Bore x Stroke	in (mm)	3.504 x 3.780 (89.0 x 96.0)	3.602 x 3.268 (91.5 x 83.0)
Displacement	cu in (cm <sup>3</sup> )	145.78 (2,389)	199.84 (3,275)
Firing order		1-3-4-2	1-2-3-4-5-6
Idle speed	rpm		
Ignition timing degree (BTDC) at idle speed	degree/rpm	See the "Emission Control Label" on the underside of the hood.	
CO percentage at idle speed	[No air] %		
Spark plug		PFR5G-11 (Standard) *1	PFR5G-11 (Standard) *1
		PFR6G-11 (Cold) *1	PFR6G-11 (Cold) *1
		PFR7G-11 (Cold) *1	PFR7G-11 (Cold) *1
Spark plug gap	Nominal: in(mm)	0.043 (1.1)	0.043 (1.1)
Camshaft operation		Timing chain	Timing belt *2
Generator belt size			
Width x Length	in (mm)	0.413 x 35.63 (10.5 x 905)	0.701 x 31.69 (17.8 x 805)

\*1: Always check with the Parts Department at an authorized NISSAN dealer for the latest parts information.

\*2: Periodic maintenance is necessary. See "Periodic maintenance schedules" in the "Maintenance" section.

**The spark ignition system of this vehicle meets all requirements of the Canadian Interference — Causing Equipment Regulations.**

## WHEEL/TIRE SIZE

			Road wheel/offset in (mm)	Tire	Spare tire size
4X2	Regular cab:	XE	15X6JJ/1.18 (30) Steel	P215/65R15	T135/70R16
			15X6JJ/1.38 (35) Alloy	P215/65R15	T135/70R16
	King cab:	XE	15X6JJ/1.18 (30) Steel	P215/65R15	T135/70R16
			15X6JJ/1.38 (35) Alloy	P215/65R15	T135/70R16
			15X7JJ/1.57 (40) Steel*	P235/70R15*	P235/70R15*
			15X7JJ/1.57 (40) Alloy*	P265/70R15*	P265/70R15*
		SE	16X7JJ/1.57 (40) Alloy	P255/65R16	P255/65R16
	Crew Cab	XE	15X7JJ/1.57 (40) Steel	P235/70R15	P235/70R15
			15X7JJ/1.57 (40) Alloy	P265/70R15	P265/70R15
		SE	16X7JJ/1.57 (40) Alloy	P255/65R16	P255/65R16
4X4	King cab:	XE	15X7J/1.57 (40) Steel	P235/70R15	P235/70R15
			15X7JJ/1.57 (40) Alloy	P235/70R15	P235/70R15
			15X7JJ/1.57 (40) Alloy	P265/70R15*	P265/70R15*
		SE	16X7JJ/1.57 (40) Alloy	P255/65R16	P255/65R16
	Crew cab:	XE	15X7J/1.57 (40) Steel	P235/70R15	P235/70R15
			15X7JJ/1.57 (40) Alloy	P265/70R15	P265/70R15
SE		16X7JJ/1.57 (40) Alloy	P255/65R16	P255/65R16	

\* Not available with KA24DE engine.

## DIMENSIONS AND WEIGHTS

Unit: in (mm)

	4x2			4x4	
	Regular Cab	King Cab	Crew Cab	King Cab	Crew Cab
Overall length*1	184.3 (4,681.2)	196.1 (4,980.9)	193.1 (4,980.9)	196.1 (4,980.9)	193.1 (4,980.9)
Overall width	66.5 (1,689.1)	66.5 (1,689.1)	71.9 (1,826.3)	71.9 (1,826.3)	71.9 (1,826.3)
Overall height	62.8 (1,595.1)	62.6 (1,590.0)	65.9 (1,673.9)	65.9 (1,673.9)	65.9 (1,673.9)
Front tread	54.9 (1,394.5)	54.9 (1,394.5)	60.0 (1,524.0)	60.0 (1,524.0)	60.0 (1,524.0)
Rear tread	54.7 (1,389.4)	54.7 (1,389.4)	59.3 (1,506.2)	59.3 (1,506.2)	59.3 (1,506.2)
Wheelbase	104.3 (2,649.2)	116.1 (2,948.9)	116.1 (2,948.9)	116.1 (2,948.9)	116.1 (2,948.9)
Gross vehicle weight rating lb (kg)					
Gross axle weight rating	See the "F.M.V.S.S. certification label" on the driver side door jamb pillar.				
Front	lb (kg)				
Rear	lb (kg)				

\*1: The step bumper adds 6.6 in (168 mm) to the overall length.

## REGISTERING YOUR VEHICLE IN ANOTHER COUNTRY

When planning to drive your NISSAN vehicle in another country, you should first find out if the fuel available is suitable for your vehicle's engine.

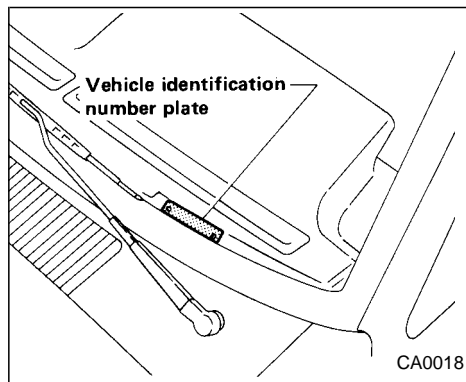
Using fuel with too low an octane rating may cause engine damage. All gasoline vehicles can be operated with unleaded gasoline. Therefore, avoid driving your vehicle in areas where appropriate fuel is not available.

When transferring the registration of your vehicle to another country, state, province or district, it may be necessary to modify the vehicle to meet local laws and regulations.

The laws and regulations for motor vehicle emission control and safety standards vary according to the country, state, province or district; therefore, vehicle specifications may differ.

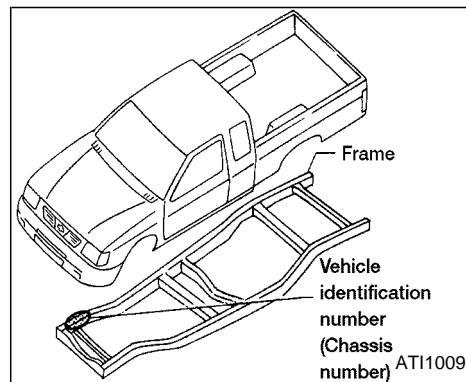
When any vehicle is to be taken into another country, state, province or district and registered, its modifications, transportation and registration are the responsibility of the user. NISSAN is not responsible for any inconvenience that may result.

## VEHICLE IDENTIFICATION

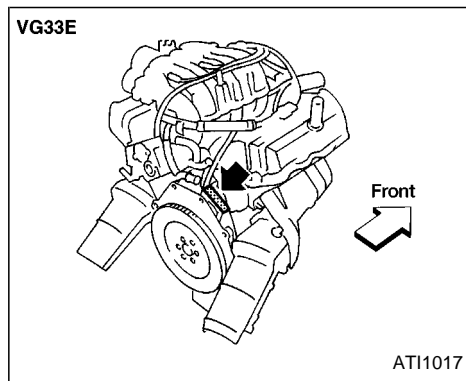
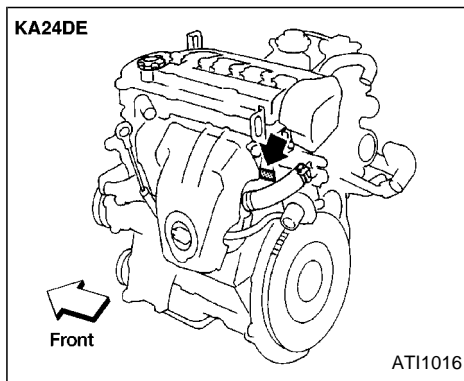


### VEHICLE IDENTIFICATION NUMBER (VIN) PLATE

The vehicle identification number plate is attached to the top of the instrument panel on the driver's side. This number is the identification for your vehicle and is used in the vehicle registration.

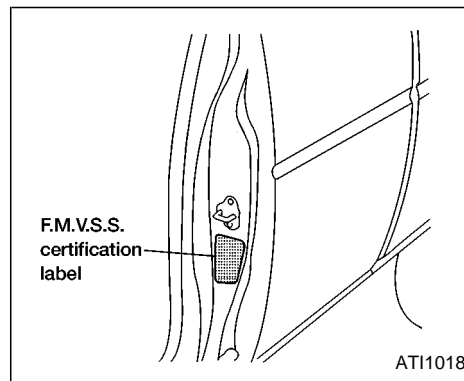


### VEHICLE IDENTIFICATION NUMBER (Chassis number)



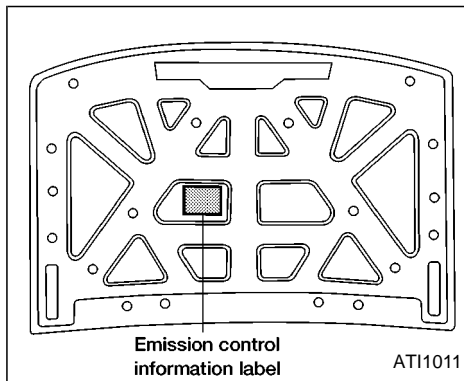
## ENGINE SERIAL NUMBER

The number is stamped on the engine as shown.



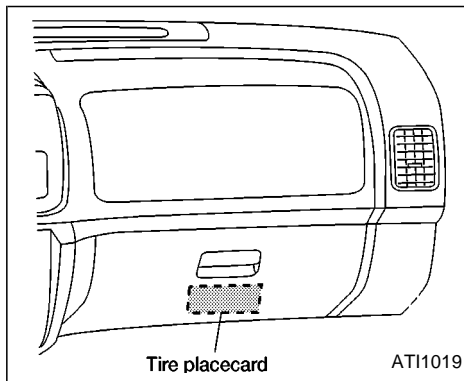
## FMVSS CERTIFICATION LABEL

The Federal Motor Vehicle Safety Standard (FMVSS) certification label is attached as shown. This label contains valuable vehicle information, such as: Gross Vehicle Weight Rating (GVWR), Gross Axle Weight Rating (GAWR), month and year of manufacture, Vehicle Identification Number (VIN), etc. Review it carefully.



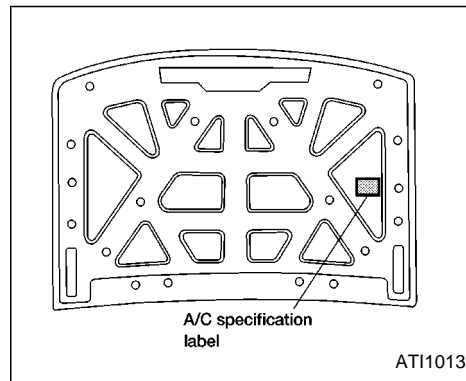
### EMISSION CONTROL INFORMATION LABEL

The emission control information label is attached to the underside of the hood as shown.



### TIRE PLACARD

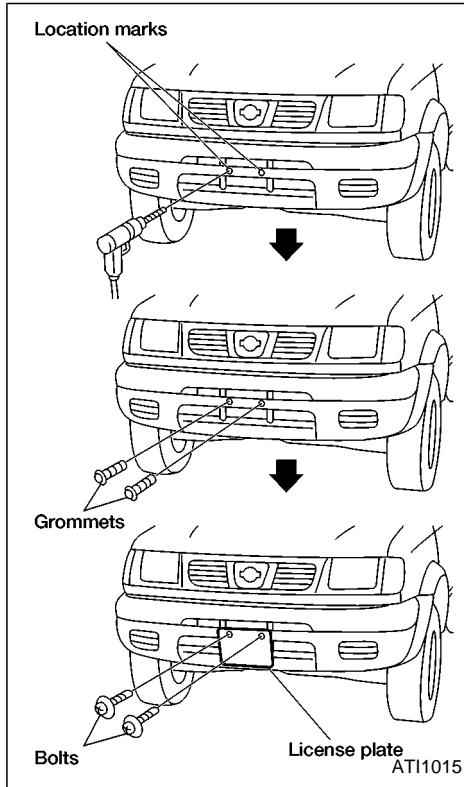
The cold tire pressure is shown on the tire placard affixed to the inside of the glove box lid.



### AIR CONDITIONER SPECIFICATION LABEL

The label is attached to the underside of the hood as shown.

## INSTALLING LICENSE PLATE



Use the following steps to mount the license plate:

1. Remove the two screw grommets from the glove box.
2. Carefully drill a hole using a 0.39 inch (10 mm) drill bit at each location mark (small dimple) on the bumper fascia.
3. Insert one grommet into each hole.
4. Insert a small screwdriver into the grommet to turn the plastic insert.
5. Install the license plate with two M5 x 25 mm bolts.

## VEHICLE LOADING INFORMATION

### CAUTION

- It is extremely dangerous to ride in a cargo area inside of a vehicle. In a collision, people riding in these areas are more likely to be seriously injured or killed.
- Do not allow people to ride in any area of your vehicle that is not equipped with seats and seat belts.
- Be sure everyone in the vehicle is in a seat with their seat belt properly fastened.

### Terms

It is important to familiarize yourself with the following terms before loading your vehicle.

- Curb Weight (actual weight of your vehicle) – vehicle weight including: standard and optional equipment, fluids, emergency tools, and spare tire assembly. This weight **does not** include passengers and cargo.
- GVW (Gross Vehicle Weight) – curb weight plus the combined weight of passengers and cargo.

- GVWR (Gross Vehicle Weight Rating) – maximum total weight (load) limit specified for the vehicle.
- GAWR (Gross Axle Weight Rating) – maximum weight (load) limit specified for the front or rear axle.

ther GVWR or GAWR for your vehicle is exceeded. If GVWR is exceeded, remove cargo as necessary. If either the front or rear GAWR is exceeded, shift the load or remove cargo as necessary.

### Loading Tips

- The GVW must not exceed GVWR or GAWR as specified on the FMVSS Certification Label located on the driver's door jamb pillar.
- Do not load the front and rear axle to the GAWR. Doing so will exceed the GVWR.
- Loads should be spread out, and cargo should be properly secured. Large or heavy objects should be placed toward the front of the truck box to help prevent sliding or shifting.

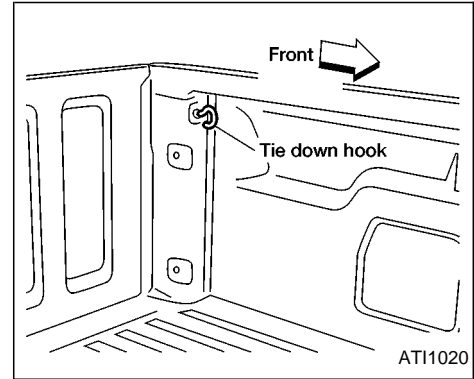
### Determining Vehicle Load Capacity

The load capacity of this vehicle is determined by weight, not by available cargo space. For example, a roof rack, bike carrier, or similar equipment does not increase load carrying capacity of your vehicle.

To determine vehicle load capacity:

Vehicle weight can be determined by using a commercial-grade scale, found at places such as a truck stop, gravel quarry, grain elevator, or a scrap metal recycling facility.

- 1) Determine the curb weight of your vehicle.
- 2) Compare the curb weight amount to the GVWR specified for your vehicle to determine how much more weight your vehicle can carry.
- 3) After loading (cargo and passengers), reweigh your vehicle to determine if ei-



### SECURING THE LOAD

For your convenience, tie down hooks are placed at each corner of the truck box. These may be used to help secure cargo loaded into the truck box.

#### **⚠ WARNING**

- Properly secure all cargo with ropes or straps to help prevent it from sliding or shifting. Do not place cargo higher than the seat backs. In a sudden stop or collision, unsecured cargo could cause personal injury.



## TRUCK-CAMPER LOADING

- Do not load your vehicle any heavier than the GVWR or the maximum front and rear GAWR's. If you do, parts on your vehicle can break, or it can change the way your vehicle handles. This could result in loss of control and cause personal injury.

### CAUTION

Overloading can shorten the life of your vehicle. Failures caused by overloading are not covered by your warranty.

Crew cab models:

**Crew cab models should not be used to carry a slide-in camper.**

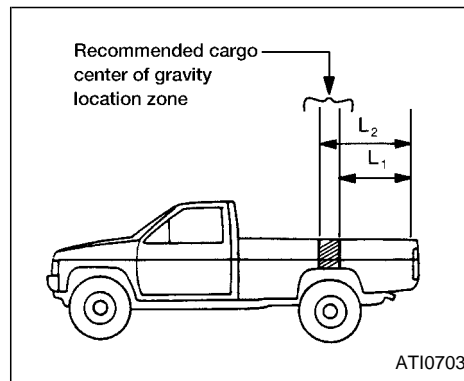
Regular and king cab models:

This information is provided for you to properly install a slide-in camper and is based on the National Highway Traffic Safety Administration regulations. It is recommended that, before installing the camper, you carefully read the following information and ensure that the camper meets the specifications.

This information may not apply to some Canada model vehicles.

Special body vehicles

Some vehicles are equipped with commercial or camper bodies. However, this Owner's Manual does not cover these options. For further information, please refer to the body manufacturer's instruction manual.



Location for center of gravity

The illustration indicates the recommended cargo center of gravity location zone.

Regular cab:

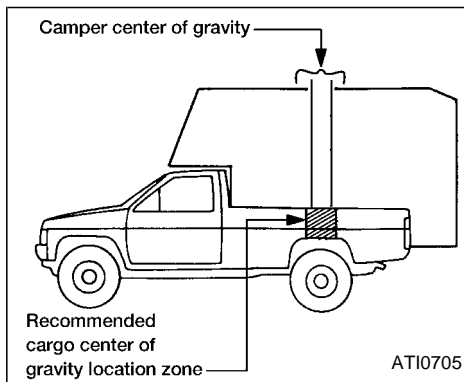
$L_1 = 950.0 \text{ mm (37.4 in)}$ ,  $L_2 = 1,077.0 \text{ mm (42.4 in)}$

King cab:

$L_1 = 960.1 \text{ mm (37.8 in)}$ ,  $L_2 = 1,087.1 \text{ mm (42.8 in)}$

**⚠ WARNING**

Improper loading may be dangerous. If a load is too far back, it can affect handling characteristics. If a load is too far forward, the front axle may be overloaded.



When the truck is used to carry a slide-in camper, the total cargo load of the truck consists of the camper manufacturer's weight figure, plus:

- the weight of installed additional camper equipment not included in the camper manufacturer's weight figure,
- the weight of camper cargo,
- and the weight of occupants in the camper.

The total cargo load should not exceed the truck's payload weight rating and the camper's center of gravity should fall within the

truck's recommended center of gravity location zone when installed.

**⚠ WARNING**

**Overloading or improper loading can adversely affect vehicle handling, braking and performance and may lead to accidents.**

### Payload Weight Ratings

The payload weight ratings shown on the following pages indicate the maximum total weight of passengers, optional equipment (air conditioning, trailer hitch, etc) and cargo that your vehicle is designed to carry.

Before driving a loaded vehicle, confirm that you do not exceed the Gross Vehicle Weight Rating (GVWR) or the Gross Axle Weight Rating (GAWR) for your vehicle. See "Vehicle Loading Information" earlier in this section for details.

Payload Weight Ratings <sup>(1)</sup> (KA24DE Engine)										
	2WD								4WD	
	Regular Cab				King Cab				King Cab	
	Manual Transmission		Automatic Transmission		Manual Transmission		Automatic Transmission		Manual Transmission	
	XE		XE		XE		XE		XE	
	lbs	kg	lbs	kg	lbs	kg	lbs	kg	lbs	kg
Federal	1400	635	1400	635	1400	635	1400	635	1400	635
California	1400	635	1400	635	1400	635	1400	635	1400	635
Canada	N/A	N/A	N/A	N/A	1400	635	1400	635	N/A	N/A

(1) The payload weight rating is the maximum total weight of passengers, optional equipment (air conditioning, trailer hitch, etc) and cargo that your vehicle is designed to carry. Before driving a loaded vehicle, confirm that you do not exceed the Gross Vehicle Weight Rating (GVWR) or the Gross Axle Weight Rating (GAWR) for your vehicle. See "Vehicle Loading Information" earlier in this section for details.

Payload Weight Ratings <sup>(1)</sup> (VG33E Engine)																
	2WD								4WD							
	King Cab															
	Manual Transmission		Automatic Transmission		Manual Transmission		Automatic Transmission		Manual Transmission		Automatic Transmission		Manual Transmission		Automatic Transmission	
	XE		XE		SE		SE		XE		XE		SE		SE	
	lbs	kg	lbs	kg	lbs	kg	lbs	kg	lbs	kg	lbs	kg	lbs	kg	lbs	kg
Federal	1200	544	1200	544	1200	544	1200	544	1200	544	1200	544	1200	544	1168	530
California	1200	544	1200	544	1200	544	1200	544	1200	544	1200	544	1200	544	1168	530
Canada	1200	544	1200	544	N/A	N/A	N/A	N/A	1200	544	1200	544	N/A	N/A	N/A	N/A

(1) The payload weight rating is the maximum total weight of passengers, optional equipment (air conditioning, trailer hitch, etc) and cargo that your vehicle is designed to carry. Before driving a loaded vehicle, confirm that you do not exceed the Gross Vehicle Weight Rating (GVWR) or the Gross Axle Weight Rating (GAWR) for your vehicle. See "Vehicle Loading Information" earlier in this section for details.

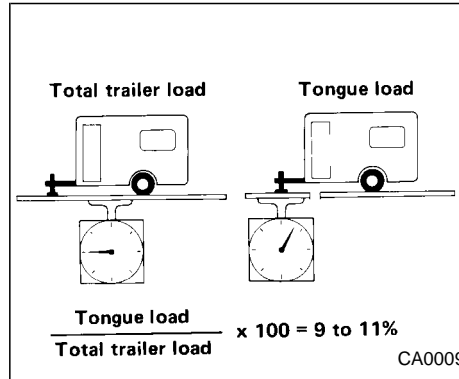
Payload Weight Ratings <sup>(1)</sup> (VG33E Engine)																
	2WD								4WD							
	Crew Cab															
	Manual Transmission		Automatic Transmission		Manual Transmission		Automatic Transmission		Manual Transmission		Automatic Transmission		Manual Transmission		Automatic Transmission	
	XE		XE		SE		SE		XE		XE		SE		SE	
	lbs	kg	lbs	kg	lbs	kg	lbs	kg	lbs	kg	lbs	kg	lbs	kg	lbs	kg
Federal	1200	544	1177	534	1133	514	1111	504	1113	505	1080	490	1036	470	1003	455
California	1200	544	1177	534	1133	514	1111	504	1113	505	1080	490	1036	470	1003	455
Canada	1200	544	1177	534	1111	504	1089	494	1080	490	1047	475	1003	455	970	440

(1) The payload weight rating is the maximum total weight of passengers, optional equipment (air conditioning, trailer hitch, etc) and cargo that your vehicle is designed to carry. Before driving a loaded vehicle, confirm that you do not exceed the Gross Vehicle Weight Rating (GVWR) or the Gross Axle Weight Rating (GAWR) for your vehicle. See "Vehicle Loading Information" earlier in this section for details.

## TRAILER TOWING

### Measurement of weights

Secure loose items to prevent weight shifts that could affect the balance of your vehicle. When the truck camper is loaded, drive to a scale and weigh the front and the rear wheels separately to determine axle loads. Individual axle loads should not exceed either of the gross axle weight ratings (GAWR). The total of the axle loads should not exceed the gross vehicle weight rating (GVWR). These ratings are given on the vehicle certification label that is located on the driver's door lock pillar. If weight ratings are exceeded, move or remove items to bring all weights below the ratings.



Your new vehicle was designed to be used primarily to carry passengers and cargo. Remember that towing a trailer will place additional loads on your vehicle's engine, drive train, steering, braking and other systems.

A **Nissan Trailer Towing Guide** is available from an authorized NISSAN dealer. This guide includes information on trailer towing ability and the special equipment required for proper towing.

### Maximum load limits

#### Maximum trailer loads

Never allow the total trailer load to exceed the value specified in the following Towing Load/Specification Chart. The total trailer load equals trailer weight plus its cargo weight.

- When towing a trailer load of 1,000 lbs. (454 kg) or more, trailers with a brake system **MUST** be used.

The maximum GCWR (Gross Combined Weight Rating) should not exceed the value specified in the following Towing Load/Specification Chart.

The GCWR equals the combined weight of the towing vehicle (including passengers and cargo) plus the total trailer load. Towing loads greater than these or using improper towing equipment could adversely affect vehicle handling, braking and performance.

The ability of your vehicle to tow a trailer is not only related to the maximum trailer loads, but also the places you plan to tow. Tow weights appropriate for level highway driving may have to be reduced on very steep grades or in low traction situations (for

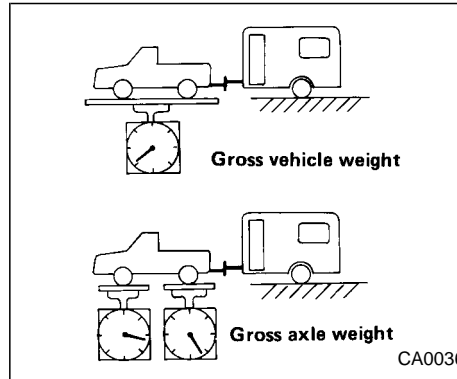
example, on slippery boat ramps).

**⚠ WARNING**

**Vehicle damage and/or personal injury resulting from improper towing procedures are not covered by NISSAN warranties. A NISSAN Trailer Towing Guide (U.S. only) containing information on trailer towing ability and the special equipment required may be obtained from an authorized NISSAN dealer.**

**Tongue load**

Keep the tongue load between 9 to 11 percent of the total trailer load within the maximum tongue load limits shown in the following Towing Load/Specification Chart. If the tongue load becomes excessive, rearrange cargo to allow for proper tongue load.



Maximum gross vehicle weight/maximum gross axle weight

The gross vehicle weight of the towing vehicle must not exceed the gross vehicle weight rating (GVWR) shown on the FMVSS certification label. The gross vehicle weight equals the combined weight of the unloaded vehicle, passengers, luggage, hitch, trailer tongue load and any other optional equipment. In addition, front or rear gross axle weight must not exceed the gross axle weight rating (GAWR) shown on the FMVSS certification label.

# TOWING LOAD/ SPECIFICATION CHART

Unit: lbs (kg)

WEIGHT	MODEL	2WD				4WD		
		M/T (4cyl)	A/T (4cyl)	M/T (V6)	A/T (V6)	M/T (4cyl)	M/T (V6)	A/T (V6)
MAXIMUM TRAILER WEIGHT*1		3,500 (1,588)	2,000 (907)	3,500 (1,588)	5,000 (2,268)	3,500 (1,588)	3,500 (1,588)	5,000 (2,268)
MAXIMUM TONGUE LOAD		350 (159)	200 (91)	350 (159)	500 (227)	350 (159)	350 (159)	500 (227)
GROSS COMBINED WEIGHT RATING		7,000 (3,175)	6,000 (2,721)	8,000 (3,628)	9,500 (4,309)	7,700 (3,492)	8,000 (3,628)	9,500 (4,309)
RECOMMENDED EQUIPMENT*2		Sway Control Device	—	Sway Control Device	Sway Control Device	Sway Control Device	Sway Control Device	Sway Control Device

\*1: If towing above 1,000 lb (454 kg) requires the use of trailer brakes. NISSAN recommends the use of a tandem axle trailer whenever towing above 3,000 lb (1,361 kg).

\*2: A sway control device is recommended for all towing above 2,000 lb (907 kg). Sway control devices are not offered by NISSAN. See a professional trailer/hitch outlet for a properly designed sway control device for your trailer.

M/T = Manual Transmission

A/T = Automatic Transmission

2WD = 2-wheel drive

4WD = 4-wheel drive

## Trailer hitch

Check the towing capacity of your bumper hitch or receiver-type frame mounted hitch. Choose a proper hitch for your vehicle and trailer. A genuine Nissan trailer hitch is available from your NISSAN dealer. Make sure the trailer hitch is securely attached to the vehicle to help avoid personal injury or property damage due to sway caused by crosswinds, rough road surfaces or passing trucks.

### CAUTION

- **Special hitches which include frame reinforcements are required for towing above 2,000 lb (907 kg). Suitable genuine NISSAN hitches for pickup trucks and sport utility vehicles are available at an authorized NISSAN dealer.**
- **The hitch should not be attached to or affect the operation of the impact-absorbing bumper.**
- **Do not use axle-mounted hitches.**
- **Do not modify the vehicle exhaust system, brake system, etc. to install a trailer hitch.**

- **To reduce the possibility of additional damage if your vehicle is struck from the rear, where practical, remove the hitch and/or receiver when not in use. Remove receiver when not in use. After the hitch is removed, seal the bolt holes to prevent exhaust fumes, water or dust from entering the passenger compartment.**
- **Regularly check that all trailer hitch mounting bolts are securely mounted.**

## Tire pressures

- When towing a trailer, inflate the vehicle tires to the recommended cold tire pressure indicated on the tire placard (affixed to the inside of the glove box lid).
- Trailer tire condition, size, load rating and proper inflation pressure should be in accordance with the trailer and tire manufacturers' specifications.

## Safety chain

Always use suitable safety chains between your vehicle and the trailer. Safety chains

should be crossed and should be attached to the hitch, not to the vehicle bumper or axle. Be sure to leave enough slack in the chain to permit turning corners.

## Trailer lights

Trailer lights should comply with Federal and/or local regulations. For assistance in hooking up trailer lights, contact an authorized NISSAN dealer.

## Trailer brakes

If your trailer is equipped with a braking system, make sure it conforms to Federal and/or local regulations and that it is properly installed.

### WARNING

**Never connect a trailer brake system directly to the vehicle brake system.**

## Pre-towing tips

- Be certain your vehicle maintains a level position when a loaded and/or unloaded trailer is hitched. Do not drive the vehicle if it has an abnormal nose-up or nose-down condition; check for improper



tongue load, overload, worn suspension or other possible causes of either condition.

- Always secure items in the trailer to prevent load shift while driving.
- Be certain your outside mirrors conform to all federal, state or local regulations. If not, install any mirrors required for towing before driving the vehicle.

### Trailer towing tips

In order to gain skill and an understanding of the vehicle's behavior, you should practice turning, stopping and backing up in an area which is free from traffic. Steering, stability and braking performance will be somewhat different than under normal driving conditions.

- Always secure items in the trailer to prevent load shift while driving.
- Avoid abrupt starts, acceleration or stops.
- Avoid sharp turns or lane changes.
- Always drive your vehicle at a moderate speed.
- Always block the wheels on both vehicle

and trailer when parking. Parking on a slope is not recommended; however, if you must do so, and if your vehicle is equipped with automatic transmission, first block the wheels and apply the parking brake, and then move the transmission shift selector lever into the P (Park) position. If you move the shift lever to the P (Park) position before blocking the wheels and applying the parking brake, transmission damage could occur.

- When going down a hill, shift into a lower gear and use the engine braking effect. When ascending a long grade, downshift the transmission to a lower gear and reduce speed to reduce chances of engine overloading and/or overheating. However, for long steep grades, do not stay in 1st or 2nd gear when driving above 35 MPH (56 km/h).
- If the engine coolant rises to an extremely high temperature when the air conditioning system is on, turn off the air conditioner. Coolant heat can be additionally vented by opening the windows, switching the fan control to high and setting the temperature control to the HOT position.

- Trailer towing requires more fuel than normal circumstances.
- Avoid towing a trailer for your vehicle's first 500 miles (805 km).
- Have your vehicle serviced more often than at intervals specified in the recommended Maintenance Schedule.
- When making a turn, your trailer wheels will be closer to the inside of the turn than your vehicle wheels. To compensate for this, make a larger than normal turning radius during the turn.
- Crosswinds and rough roads adversely affect vehicle/trailer handling, possibly causing vehicle sway. When being passed by larger vehicles, be prepared for possible changes in crosswinds that could affect vehicle handling. If swaying does occur, firmly grip the steering wheel, steer straight ahead, and immediately (but gradually) reduce vehicle speed. This combination helps to stabilize the vehicle. Never increase speed.
- Be careful when passing other vehicles. Passing while towing a trailer requires considerably more distance than normal passing. Remember the length of the

## UNIFORM TIRE QUALITY GRADING

trailer must also pass the other vehicle before you can safely change lanes.

- To maintain engine braking efficiency and electrical charging performance, do not use fifth gear (manual transmission) or overdrive (automatic transmission).
- Avoid holding the brake pedal down too long or too frequently. This could cause the brakes to overheat, resulting in reduced braking efficiency.

**When towing a trailer, change oil in the transmission more frequently. For additional information see the “Maintenance” section earlier in this manual.**

DOT (Department of Transportation) Quality Grades: All passenger car tires must conform to Federal Safety Requirements in addition to these grades.

Quality grades can be found where applicable on the tire sidewall between tread shoulder and maximum section width. For example:

**Treadwear 200 Traction AA Temperature A Treadwear**

Treadwear grade is a comparative rating based on tire wear rate when tested under controlled conditions on specified government test courses. For example, a tire graded 150 would wear one and a half (1-1/2) times as well on the government course as a tire graded 100. However, relative tire performance depends on actual driving conditions, and may vary significantly due to variations in driving habits, service practices and differences in road characteristics and climate.

**Traction AA, A, B and C**

The traction grades from highest to lowest are AA, A, B, and C. Those grades repre-

sent the tire's ability to stop on wet pavement as measured under controlled conditions on specified government test surfaces of asphalt and concrete. A tire marked C may have poor traction performance.

### **WARNING**

**The traction grade assigned to your vehicle tires is based on straight-ahead braking traction tests, and does not include acceleration, cornering, hydroplaning, or peak traction characteristics.**

**Temperature A, B and C**

Temperature grades are A (the highest), B, and C. They represent a tire's resistance to heat build-up, and its ability to dissipate heat when tested under controlled conditions on a specified indoor laboratory test wheel. Sustained high temperature can cause tire material to degenerate, reducing tire life. Excessive temperatures can lead to sudden tire failure. Grade C corresponds to a performance level which all passenger car tires must meet under the Federal Motor Vehicle Safety Standard No. 109. Grades A and B represent higher levels of performance on laboratory test wheels than the

minimum required by law.

**⚠ WARNING**

**The temperature grade for this tire is established for a tire that is properly inflated and not overloaded. Excessive speed, under inflation, or excessive loading, either separately or in combination, can cause heat build-up and possible tire failure.**

## EMISSION CONTROL SYSTEM WARRANTY

Your NISSAN is covered by the following emission warranties.

### For US:

- 1) Emission Defects Warranty
- 2) Emission Performance Warranty

### For Canada

#### Emission Control System Warranty

Details of these warranties may be found with other vehicle warranties in your Warranty Information and Maintenance Log Booklet which comes with your NISSAN. If you did not receive a Warranty Information and Maintenance Log Booklet, or it becomes lost, you may obtain a replacement by writing to:

- Nissan North America, Inc.  
Consumer Affairs Department  
P.O. Box 191  
Gardena, CA 90248-0191
- Nissan Canada Inc.  
5290 Orbitor Drive  
Mississauga, Ontario L4W 4Z5

## REPORTING SAFETY DEFECTS (US only)

If you believe that your vehicle has a defect which could cause a crash or could cause injury or death, you should immediately inform the National Highway Traffic Safety Administration (NHTSA) in addition to notifying NISSAN.

If NHTSA receives similar complaints, it may open an investigation, and if it finds that a safety defect exists in a group of vehicles, it may order a recall and remedy campaign. However, NHTSA cannot become involved in individual problems between you, your dealer, or NISSAN.

To contact NHTSA, you may either call the Auto Safety Hotline toll-free at 1-800-424-9393 (or 366-0123 in the Washington, D.C. area) or write to: NHTSA, U.S. Department of Transportation, Washington, D.C. 20590. You can also obtain other information about motor vehicle safety from the Hotline.

You may notify NISSAN by contacting our Consumer Affairs Department, toll-free, at 1-800-NISSAN-1.

In Hawaii call (808) 836-0888.

## READINESS FOR INSPECTION/MAINTENANCE (I/M) TEST (US only)

Due to legal requirements in some states and Canadian provinces, your vehicle may be required to be in the ready condition for an Inspection/Maintenance (I/M) test of the emission control system.

The vehicle is set to the ready condition when it is driven through certain driving patterns. Usually, the ready condition can be obtained by ordinary usage of the vehicle.

If a powertrain system component is repaired or the battery is disconnected, the vehicle may be reset to a not ready condition. Before taking the I/M test, drive the vehicle through the following pattern to set the vehicle to the ready condition.

### WARNING

**Always drive the vehicle in a safe and prudent manner according to traffic conditions and obey all traffic laws.**

1. Start the engine when the engine coolant temperature gauge needle points to C. Allow the engine to idle until the gauge needle points between the C and H (normal operating temperature).

2. Accelerate the vehicle to 55 mph (88 km/h), then quickly release the accelerator pedal completely and keep it released for at least 6 seconds.
3. Quickly depress the accelerator pedal for a moment, then drive the vehicle at a speed of 53 to 60 mph (85 to 97 km/h) for at least 5 minutes.
4. Stop the vehicle.
5. Accelerate the vehicle to 35 mph (55 km/h) and maintain the speed for 20 seconds.
6. Repeat steps four through five least three times.
7. Accelerate the vehicle to 55 mph (88 km/h) and maintain the speed for at least 3 minutes.
8. Stop the vehicle and turn the engine off.
9. Repeat steps one through eight at least one more time.

If step one through seven interrupted, repeat the preceding step. Any safe driving mode is acceptable between steps. Do not stop the engine until step seven is completed. If you cannot or do not want to perform the driving

pattern, an authorized NISSAN dealer can conduct it for you.

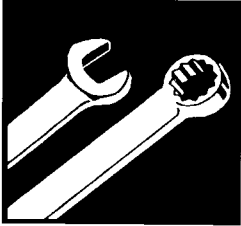
### Dynamometer testing for Inspection/Maintenance (I/M) test (US only)

Due to legal requirements in some states/areas, your vehicle may be tested for emissions on a dynamometer. The transfer control lever (if so equipped) MUST be in the 2H position for I/M testing on a two wheel dynamometer.

### WARNING

- If the transfer control lever is not in the 2H position during the dynamometer I/M testing, the vehicle could come off the dynamometer and cause serious personal injury and/or body damage to the vehicle.
- Serious damage will occur to the 4WD system if the transfer control lever is not in the 2H position

## Genuine Nissan Service Manuals



# GET THE INSIDE STORY

A genuine NISSAN Service Manual is the best source of service and repair information for your vehicle. Filled with wiring diagrams, illustrations and step-by-step diagnostic and adjustment procedures, this manual is the same one used by the factory trained technicians working at authorized NISSAN dealerships. Also available are genuine NISSAN Owner's Manuals and genuine NISSAN Service and Owner's Manuals for older NISSAN models.

### In the USA:

For current pricing and availability of genuine **NISSAN Service Manuals** for the 2000 model year, contact:

Tweddle Litho Company  
1-800-639-8841  
[www.nissan-techinfo.com](http://www.nissan-techinfo.com)

For current pricing and availability of genuine **NISSAN Service Manuals** for the 1999 model year and prior, see an authorized NISSAN dealer, or contact:

Dyment Distribution Services  
20770 Westwood Road  
Strongsville, OH 44136  
1-800-247-5321

For current pricing and availability of genuine **NISSAN Owner's Manuals** for the 2000 model year and prior, see an authorized NISSAN dealer, or contact:

Dymet Distribution Services  
20770 Westwood Road  
Strongsville, OH 44136  
1-800-247-5321

**In Canada:**

To purchase a copy of a genuine NISSAN Service Manual or Owner's Manual please contact your nearest NISSAN dealer. For the phone number and location of a NISSAN Dealer in your area call the NISSAN Satisfaction Center at 1-800-387-0122 and a bilingual NISSAN representative will assist you.

Also available are Genuine NISSAN Service and Owner's Manuals for older NISSAN models.

# 11 Index

## A

Air bag	
Passenger supplemental air bag ON/OFF switch and light.....	1-15
Air bag (See supplemental restraint system) .....	1-10
Air bag warning light.....	1-18
Air cleaner housing filter.....	8-21
Air conditioner	
Air conditioner operation .....	4-5
Air conditioner service .....	4-9
Air conditioner specification label.....	10-14
Air conditioner system refrigerant and lubrication recommendations.....	10-8
Heater and air conditioner controls .....	4-3
Air flow charts.....	4-6
Alarm system (See theft warning) .....	2-14
Anchor point locations .....	1-46
Antenna.....	4-28
Anti-lock brake system (ABS).....	5-29
Anti-lock brake system, rear (R-ABS) .....	5-30
Anti-lock brake warning light .....	2-12
Ashtray (See cigarette lighter and ashtray) .....	2-19
Audio system	
AM-FM radio with cassette player.....	4-10
FM-AM radio with compact disc player .....	4-15

AM-FM radio with cassette player and compact disc player.....	4-21
Auto-lock free-running hubs .....	5-22
Automatic	
Automatic power window switch .....	2-25
Automatic transmission fluid (ATF).....	8-13
Driving with automatic transmission.....	5-8
Transmission selector lever lock release .....	5-12

## B

Battery.....	8-16
Battery replacement (See multi-remote control system) .....	3-7
Before starting the engine .....	5-8
Belts (See drive belts) .....	8-18
Brake	
Anti-lock brake system (ABS) .....	5-29
Anti-lock brake system, rear (R-ABS) ..	5-30
Brake booster .....	8-24
Brake fluid .....	10-3, 8-15
Brake light (See stop light).....	8-30
Brake pedal .....	8-23
Brake system.....	5-28
Brake warning light.....	2-9
Brake wear indicators .....	2-12, 8-24
Parking brake check.....	8-23

Parking brake operation .....	5-16
Break-in schedule .....	5-20
Bulb check/instrument panel .....	2-8
Bulb replacement.....	8-30

## C

Capacities and recommended fuel/lubricants.....	10-2
Cargo (See vehicle loading information) .	10-15
Car phone or CB radio .....	4-28
Cassette player (See audio system) .....	4-10
Check engine indicator light (See malfunction indicator light) .....	2-12
Child restraint with top tether strap .....	1-45
Child restraints.....	1-30
Cigarette lighter (accessory) and ashtray .	2-19
Cleaning exterior and interior .....	7-2
Clutch	
Clutch fluid.....	8-15
Clutch pedal.....	8-25
Cold weather driving.....	5-30
Controls	
Heater and air conditioner controls .....	4-3
Coolant	
Capacities and recommended fuel/lubricants .....	10-2
Changing engine coolant.....	8-6

Checking engine coolant level .....	8-5
Engine coolant temperature gauge .....	2-5
Corrosion protection .....	7-4
Cruise control.....	5-18
Cup holder .....	2-21

## D

Daytime running light system (Canada only) .....	2-16
Dimensions and weights.....	10-11
Door locks.....	3-2
Drive belts.....	8-18
Driving	
Auto-lock free-running hubs .....	5-22
Cold weather driving.....	5-30
Driving with automatic transmission ....	5-14
Driving with manual transmission.....	5-12
Manual-lock free-running hubs.....	5-24
Precautions when starting and driving ...	5-2

## E

Economy - fuel.....	5-20
Emission control information label.....	10-14
Emission control system warranty.....	10-27
Engine	
Before starting the engine .....	5-8
Capacities and recommended fuel/ lubricants .....	10-2
Changing engine coolant.....	8-6

Changing engine oil.....	8-10
Changing engine oil filter.....	8-12
Checking engine coolant level .....	8-5
Checking engine oil level .....	8-9
Engine compartment check locations ....	8-3
Engine coolant temperature gauge .....	2-5
Engine cooling system .....	8-5
Engine oil .....	8-9
Engine oil and oil filter recommendation .....	10-6
Engine oil pressure warning light .....	2-10
Engine oil viscosity .....	10-7
Engine serial number .....	10-13
Engine specifications.....	10-9
Starting the engine .....	5-16
Exhaust gas (Carbon monoxide).....	5-2

## F

Flashers (See hazard warning flasher switch).....	2-19
Flat tire.....	6-2
Floor mat positioning aid .....	7-4
Fluid	
Automatic transmission fluid (ATF).....	8-13
Brake fluid .....	10-3, 8-15
Capacities and recommended fuel/ lubricants .....	10-2
Clutch fluid.....	8-15
Engine coolant.....	8-5
Engine oil.....	8-9
Power steering fluid.....	8-14

Window washer fluid .....	8-15
F.M.V.S.S. certification label .....	10-13
Front seats	
Bench.....	1-7
Separate .....	1-2
Fuel	
Capacities and recommended fuel/ lubricants .....	10-2
Fuel economy.....	5-20
Fuel filler cap .....	3-11
Fuel gauge.....	2-6
Fuel octane rating.....	10-5
Fuel recommendation.....	10-4
Fuses .....	8-26

## G

Gauge	
Engine coolant temperature gauge .....	2-5
Fuel gauge.....	2-6
Odometer.....	2-3
Speedometer .....	2-3
Tachometer .....	2-5
General maintenance .....	9-2

## H

Hazard warning flasher switch .....	2-19
Headlight and turn signal switch .....	2-16
Headlights.....	8-29
Heater	



Heater and air conditioner controls .....	4-3
Heater operation .....	4-4
Hood release .....	3-8
Hubs	
Auto-lock free-running hubs .....	5-22
Manual-lock free-running hubs .....	5-24

## I

Ignition switch .....	5-6
Indicator lights and chimes (See warning/ indicator lights and chimes) .....	2-8
Inside mirror .....	3-16
Instrument brightness control .....	2-18
Interior light and cargo light .....	2-22

## J

Jack	
Pantograph type .....	6-5
Jump seat .....	1-9
Jump starting .....	6-8

## K

Key .....	3-2
Keyless entry system (See multi-remote control system) .....	3-4

## L

### Labels

Air conditioner specification label .....	10-14
Emission control information label .....	10-14
Engine serial number .....	10-13
F.M.V.S.S. certification label .....	10-13
Vehicle identification number (VIN) plate .....	10-12
Warning labels (for SRS) .....	1-18

### Light

Air bag warning light .....	1-18
Brake light (See stop light) .....	8-30
Bulb check/instrument panel .....	2-8
Bulb replacement .....	8-30
Headlight and turn signal switch .....	2-16
Headlights .....	8-29
Interior light and cargo light .....	2-22
Light bulbs .....	8-29
Passenger supplemental air bag ON/OFF switch and light .....	1-15
Spotlights (See map light) .....	2-23
Warning/indicator lights and chimes .....	2-8

### Lock

Door locks .....	3-2
Power door locks .....	3-3

### Luggage (See vehicle loading information) .....

Luggage rack (See roof rack) .....	3-9
------------------------------------	-----

## M

### Maintenance

General maintenance .....	9-2
Inside the vehicle .....	9-3
Maintenance precautions .....	8-2
Outside the vehicle .....	9-2
Periodic maintenance schedules .....	9-5
Seat belt maintenance .....	1-29
Under the hood and vehicle .....	9-4

### Malfunction indicator lamp .....

Malfunction indicator lamp .....	2-12
----------------------------------	------

### Manual windows .....

Manual windows .....	2-23
----------------------	------

### Manual-lock free-running hubs .....

Manual-lock free-running hubs .....	5-24
-------------------------------------	------

### Map light .....

Map light .....	2-23
-----------------	------

### Meters and gauges .....

Meters and gauges .....	2-2
-------------------------	-----

### Mirror

Inside mirror .....	3-16
Outside mirror control .....	3-15
Outside mirrors .....	3-16
Vanity mirror .....	3-17

### Multi-remote control system .....

Multi-remote control system .....	3-4
-----------------------------------	-----

### Multi-remote controller battery replacement .....

Multi-remote controller battery replacement .....	8-27
--	------

## O

### Octane rating (See fuel octane rating) .....

Octane rating (See fuel octane rating) .....	10-5
--	------

### Odometer .....

Odometer .....	2-3
----------------	-----

### Oil

Capacities and recommended fuel/ lubricants .....	10-2
--	------

Changing engine oil.....	8-10
Changing engine oil filter.....	8-12
Checking engine oil level .....	8-9
Engine oil.....	8-9
Engine oil and oil filter recommendation .....	10-6
Engine oil viscosity .....	10-7
Outside mirror control .....	3-15
Outside mirrors .....	3-16
Overdrive switch .....	5-13
Overheat	
If your vehicle overheats .....	6-10
Owner's manual order form.....	10-29

## P

Pantograph type jack.....	6-5
Parking	
Parking brake check.....	8-23
Parking brake operation .....	5-16
Parking/parking on hills .....	5-27
Passenger supplemental air bag ON/OFF switch and light.....	1-15
Periodic maintenance schedules.....	9-5
Power	
Power door locks.....	3-3
Power steering fluid.....	8-14
Power steering system .....	5-28
Power windows.....	2-24
Precautions	
Maintenance precautions .....	8-2
On-pavement and off-road driving	

precautions .....	5-3
Precautions on seat belt usage.....	1-20
Precautions when starting and driving...	5-2
Push starting.....	6-9

## R

Radio	
AM-FM radio with cassette player.....	4-10
FM-AM radio with compact disc player .....	4-15
AM-FM radio with cassette player and compact disc player.....	4-21
Readiness for inspection maintenance (I/M) test .....	10-28
Rear sliding window.....	2-25
Registering your vehicle in another country .....	10-12
Remote keyless entry system (See multi-remote control system) .....	3-4
Reporting safety defects (USA).....	10-27
Roof rack .....	3-9

## S

Safety	
Reporting safety defects (USA).....	10-27
Seat	
Jump seat.....	1-9
Seat belt	
2-point type without retractor.....	1-26
3-point type with retractor.....	1-24

Precautions on seat belt usage.....	1-20
Seat belt extenders .....	1-29
Seat belt maintenance.....	1-30
Seat belts.....	1-20
Seat belt warning light.....	2-9
Seats	
Adjustment.....	1-2
Bench seat.....	1-7
Separate seats .....	1-2
Service manual order form .....	10-29
Shifting	
Automatic transmission .....	5-9, 5-11
Manual transmission.....	5-15
Spark plug replacement.....	8-19
Speedometer .....	2-3
Spotlights (See map light) .....	2-23
SRS warning label.....	1-18
Starting	
Before starting the engine.....	5-8
Jump starting .....	6-8
Precautions when starting and driving...	5-2
Push starting.....	6-9
Starting the engine .....	5-16
Steering	
Power steering fluid.....	8-14
Power steering system .....	5-28
Tilting steering wheel.....	3-15
Step rail (if so equipped) .....	3-11
Stop light.....	8-30
Sun shade.....	2-26
Sunroof .....	2-26

Supplemental restraint system (Supplemental air bag system) .....	1-10
Switch	
Automatic power window switch .....	2-25
Hazard warning flasher switch .....	2-19
Headlight and turn signal switch .....	2-16
Ignition switch .....	5-4
Overdrive switch .....	5-13
Passenger supplemental air bag ON/OFF switch and light .....	1-15
Windshield wiper and washer switch ...	2-17

## T

Tachometer .....	2-5
Tailgate latch .....	3-13
Theft warning .....	2-14
Three way catalyst .....	5-2
Tie down hooks .....	3-14
Tilting steering wheel .....	3-15
Tire	
Flat tire .....	6-2
Spare tire .....	8-37
Tire chains .....	8-34
Tire placard .....	10-14
Tire pressure .....	8-33
Tire rotation .....	8-35
Tires of 4-wheel drive .....	8-36
Types of tires .....	8-33
Uniform tire quality grading .....	10-27
Wheels and tires .....	8-33
Wheel/tire size .....	10-10

Towing	
2-wheel drive models .....	6-12
4-wheel drive models .....	6-12
Tow truck towing .....	6-11
Towing load/specification chart .....	10-23
Trailer towing .....	10-21
Transfer case .....	5-21
Transmission	
Automatic transmission fluid (ATF) .....	8-13
Driving with automatic transmission .....	5-8
Driving with manual transmission .....	5-14
Selector lever lock release .....	5-12
Travel (See registering your vehicle in another country) .....	10-12
Trip odometer .....	2-4
Truck - camper loading .....	10-17
Turn signal switch (See headlight and turn signal switch) .....	2-16

## U

Uniform tire quality grading .....	10-26
------------------------------------	-------

## V

Vanity mirror .....	3-17
Vehicle dimensions and weights .....	10-11
Vehicle identification number (VIN) (chassis number) .....	10-12
Vehicle identification number (VIN) plate .....	10-12
Vehicle loading information .....	10-15

Vehicle recovery .....	6-13
Ventilators .....	4-2

## W

Warning	
Air bag warning light .....	1-18
Hazard warning flasher switch .....	2-19
Theft warning .....	2-14
Warning labels (for SRS) .....	1-18
Warning/indicator lights and chimes .....	2-8
Weights (See dimensions and weights) ..	10-11
Wheels and tires .....	8-31
Wheel/tire size .....	10-10
When traveling or registering your vehicle in another country .....	10-12
Window washer fluid .....	8-15
Windows	
Manual windows .....	2-23
Power windows .....	2-24
Rear sliding window .....	2-25
Windshield wiper and washer switch .....	2-17
Wiper	
Windshield wiper and washer switch ...	2-17
Wiper blades .....	8-22

## GAS STATION INFORMATION

### Recommended fuel:

Unleaded gasoline, at least 87 AKI number (RON 91)

For further details such as gasohol or diesel fuel grade, see "Fuel recommendation" in the "Technical and consumer information" section.

#### CAUTION

**Using fuel other than that specified could adversely affect the emissions control system, and may also affect warranty coverage.**

**Under no circumstances should a leaded gasoline be used since this will damage the three way catalyst.**

### Recommended engine oil:

- API Certification Mark
- API grade SG/SH Energy Conserving I & II or API grade SJ Energy Conserving
- ILSAC grade GF-I & GF-II

See "Engine oil and filter recommendation" in the "Technical and consumer information" section.

### Tire cold pressure:

See the tire placard affixed to the inside of the glove box lid.

### Recommended new vehicle break-in procedure:

During the first 1,000 miles (1,600 km) of vehicle use, follow the recommendations outlined in the "BREAK-IN SCHEDULE" found in the "Starting and Driving" section of this Owner's Manual. Follow these recommendations for the future reliability and economy of your new vehicle. Failure to follow these recommendations may result in vehicle damage or shortened engine life.

## QUICK REFERENCE

(page)

- In case of emergency ..... 6-1  
(Flat tire, engine will not start, overheating, towing)
- How to start the engine ..... 5-1
- How to read the meters and gauges ..... 2-1
- Maintenance schedule ..... 9-1
- Do-it-yourself operations ..... 8-1
- Technical and consumer information ..... 10-1

## QUICK REFERENCE

