

# 2008 VOLVO S40



## VOLVO OWNER'S MANUAL S40

1



Welcome to the worldwide family of Volvo owners. We hope that you will enjoy many years of safe driving in your Volvo, an automobile designed with your safety and comfort in mind. To help ensure your satisfaction with this vehicle, we encourage you to familiarize yourself with the equipment descriptions, operating instructions and maintenance requirements/recommendations in this manual. We also urge you and your passengers to wear seat belts at all times in this (or any other) automobile. And, of course, please do not operate a vehicle if you may be affected by alcohol, medication or any impairment that could hinder your ability to drive.

Your Volvo is designed to meet all applicable safety and emission standards, as indicated by the certification labels attached to the driver's door opening, and on the underside of the hood.

For further information please contact your retailer, or:

**In the USA:** Volvo Cars of North America, LLC  
Customer Care Center  
P.O. Box 914 Rockleigh, New Jersey 07647-0914  
1-800-458-1552  
[www.volvocars.us](http://www.volvocars.us)



**In Canada:** Volvo Cars of Canada Corp.  
National Customer Service  
175 Gordon Baker Road  
North York, Ontario M2H 2N7  
1-800-663-8255  
[www.volvocanada.com](http://www.volvocanada.com)

2007 © Volvo Car Corporation. All rights reserved.

2 Contents



**00 Introduction**

General information	<a href="#">6</a>
Volvo and the environment	<a href="#">7</a>
Important warnings	<a href="#">8</a>

**01 Safety**

Occupant safety	<a href="#">12</a>
Seat belts	<a href="#">14</a>
Supplemental Restraint System	<a href="#">17</a>
Front airbags	<a href="#">18</a>
Occupant Weight Sensor (OWS)	<a href="#">21</a>
Side impact protection airbags	<a href="#">24</a>
Volvo Inflatable Curtain (VIC)	<a href="#">25</a>
Whiplash Protection System	<a href="#">27</a>
Crash mode	<a href="#">29</a>
Child safety	<a href="#">30</a>
Child restraint systems	<a href="#">33</a>
Infant seats	<a href="#">35</a>
Convertible seats	<a href="#">37</a>
Booster cushions	<a href="#">40</a>
ISOFIX lower anchors	<a href="#">41</a>
Top tether anchors	<a href="#">42</a>
Child restraint registration and recalls	<a href="#">43</a>

**02 Instruments and controls**

Instrument overview	<a href="#">46</a>
Instrument panel	<a href="#">49</a>
Indicator and warning symbols	<a href="#">51</a>
Symbols - instrument panel	<a href="#">53</a>
Information display	<a href="#">56</a>
12-volt sockets	<a href="#">58</a>
Lighting panel	<a href="#">59</a>
Left-side steering wheel lever	<a href="#">62</a>
Trip computer	<a href="#">63</a>
Cruise control	<a href="#">65</a>
Right-side steering wheel lever	<a href="#">67</a>
Rain sensor	<a href="#">68</a>
Steering wheel adjustment, Hazard warning flashers	<a href="#">69</a>
Parking brake	<a href="#">70</a>
Power windows	<a href="#">71</a>
Mirrors	<a href="#">73</a>
Power moonroof (option)	<a href="#">75</a>

3 Contents 






<b>03 Climate</b>	<b>04 Interior</b>	<b>05 Locks and alarm</b>
General information <a href="#">86</a>	Front seats <a href="#">98</a>	Remote control and key blade <a href="#">112</a>
Air vents <a href="#">88</a>	Interior lighting <a href="#">101</a>	Valet locking <a href="#">116</a>
Manual climate control <a href="#">89</a>	Storage compartments <a href="#">103</a>	Keyless drive (option as available) <a href="#">118</a>
Electronic Climate Control (ECC) - option <a href="#">92</a>	Rear seat <a href="#">107</a>	Locking and unlocking <a href="#">122</a>
Air distribution <a href="#">95</a>	Trunk <a href="#">109</a>	Locking the glove compartment, Child safety locks <a href="#">123</a>
		Alarm <a href="#">124</a>

4 Contents 



<b>06 Starting and driving</b>	<b>07 Wheels and tires</b>	<b>08 Car care</b>
General information <a href="#">128</a>	General information <a href="#">168</a>	Washing and cleaning the car <a href="#">192</a>
Fuel requirements <a href="#">132</a>	Tire inflation <a href="#">170</a>	Paint touch up <a href="#">196</a>
Ignition switch/Steering wheel lock <a href="#">135</a>	Tire designations <a href="#">174</a>	
Starting the vehicle <a href="#">136</a>	Glossary of tire terminology <a href="#">176</a>	
Starting the car with keyless drive (option) <a href="#">138</a>	Vehicle loading <a href="#">177</a>	
Manual transmission, 5-speed <a href="#">139</a>	Uniform tire quality gradings <a href="#">179</a>	
Manual transmission, 6-speed <a href="#">140</a>	Snow chains, snow tires, studded tires <a href="#">180</a>	
Automatic transmission <a href="#">141</a>	Temporary spare <a href="#">181</a>	
Shiftlock override <a href="#">145</a>	Wheel nuts <a href="#">182</a>	
All Wheel Drive (option) <a href="#">146</a>	Tire rotation <a href="#">183</a>	
Brake system <a href="#">147</a>	Changing a wheel <a href="#">184</a>	
Stability system <a href="#">149</a>	Tire Pressure Monitoring System (TPMS) <a href="#">187</a>	
Towing <a href="#">151</a>		
Jump starting <a href="#">153</a>		
Towing a trailer <a href="#">154</a>		
Detachable trailer hitch <a href="#">156</a>		
Transporting loads <a href="#">157</a>		
Blind Spot Information System (BLIS)-option <a href="#">158</a>		

		
<b>09 Maintenance and servicing</b>	<b>10 Audio</b>	<b>11 Specifications</b>
Volvo maintenance <a href="#">200</a>	Audio functions <a href="#">230</a>	Label information <a href="#">248</a>
Maintaining your car <a href="#">201</a>	Radio functions <a href="#">235</a>	Dimensions and weights <a href="#">250</a>
Hood <a href="#">203</a>	Sirius satellite radio (option or retailer-installed accessory) <a href="#">237</a>	Engine oil <a href="#">253</a>
Engine compartment <a href="#">204</a>	CD player/CD changer (option) <a href="#">241</a>	Engine specifications <a href="#">255</a>
Engine oil <a href="#">205</a>	Audio menu <a href="#">245</a>	Electrical system <a href="#">256</a>
Fluids <a href="#">206</a>		Volvo programs <a href="#">259</a>
Wiper blades <a href="#">208</a>		
Battery <a href="#">209</a>		
Replacing bulbs <a href="#">211</a>		
Fuses <a href="#">220</a>		

**12 Index**Index [260](#)**General information****Shiftlock (automatic transmission)**

When your car is parked, the gear selector is locked in the Park (**P**) position. To release the selector from this position, turn the ignition key to position II (or start the engine), depress the brake pedal, press the button on the front side of the gear selector and move the selector from Park (**P**).

**Keylock (automatic transmission)**

When the ignition is switched off, the gear selector must be in the Park (**P**) position before the key can be removed from the ignition switch.

**Anti-lock Brake System (ABS)**

The ABS system in your car performs a self-diagnostic test when the vehicle first reaches the speed of approximately 12 mph (20 km/h). The brake pedal will pulsate several times and a sound may be audible from the ABS control module. This is normal.

**Fuel filler door**

Press the button on the light switch panel when the car is at a standstill to open the fuel filler door.

**Fuel filler cap**

After refueling, close the fuel filler cap by turning it clockwise until it clicks into place. If this cap is not closed tightly or if the engine is running when the car is refueled, the Malfunction Indicator Lamp ("Check Engine" light) may indicate a fault.

### Points to keep in mind

- Before you operate your vehicle for the first time, please familiarize yourself with the new-engine oil consumption information on [page 205](#). You should also be familiar with the information found in the chapters "Instruments and controls," and "Starting and driving."
- Information contained in the balance of the manual is extremely useful and should be read after operating the vehicle for the first time.
- The manual is structured so that it can be used for reference. For this reason, it should be kept in the vehicle for ready access.
- Do not export your Volvo to another country before investigating that country's applicable safety and emission control requirements. In some cases it may be difficult or impossible to comply with these requirements. Modifications to the emission control system(s) may render your Volvo not certifiable for legal operation in the U.S., Canada and other countries.
- All information, illustrations and specifications contained in this manual are based on the latest product information available at the time of publication. Please note that some vehicles may be equipped differently, depending on special legal requirements. Optional equipment described in this manual may not be available in all markets.
- Volvo reserves the right to make model changes at any time, or to change specifications or design without notice and without incurring obligation.



#### WARNING

If your vehicle is involved in an accident, unseen damage may affect its driveability and safety.



#### WARNING

##### **CALIFORNIA proposition 65**

Engine exhaust, some of its constituents, and certain vehicle components contain or emit chemicals known to the state of California to cause cancer, and birth defects or other reproductive harm. In addition, certain fluids contained in vehicles and certain products of component wear contain or emit chemicals known to the State of California to cause cancer, and birth defects or other reproductive harm.



## Volvo and the environment

Volvo is committed to the well being of its customers. As a natural part of this commitment, we care about the environment in which we all live. Caring for the environment means an everyday involvement in reducing our environmental impact. Volvo's environmental activities are based on a holistic view, which means we consider the overall environmental impact of a product throughout its complete life cycle. In this context, design, production, product use, and recycling are all important considerations. In production, Volvo has partly or completely phased out several chemicals including CFCs, lead chromates, asbestos, and cadmium; and reduced the number of chemicals used in our plants 50% since 1991.

Volvo was the first in the world to introduce into production a three-way catalytic converter with a Lambda sond, now called the heated oxygen sensor, in 1976. The current version of this highly efficient system reduces emissions of harmful substances (CO, HC, NOx) from the exhaust pipe by approximately 95-99% and the search to eliminate the remaining emissions continues. Volvo is the only automobile manufacturer to offer CFC-free retrofit kits for the air conditioning system of all models as far back as the 1975 model 240. Advanced electronic engine controls and cleaner

fuels are bringing us closer to our goal. After Volvo vehicles and parts have fulfilled their use, recycling is the next critical step in completing the life cycle. The metal content is about 75% of the total weight of a vehicle, which makes the vehicle among the most recycled industrial products. In order to have efficient and well-controlled recycling, dismantling information is available for all Volvo models. For Volvo, all homogeneous plastic parts weighing more than 3.4 oz. (100 grams) are marked with international symbols that indicate how the component is to be sorted for recycling. In addition to continuous environmental refinement of conventional gasoline-powered internal combustion engines, Volvo is actively looking at advanced technology alternative-fuel vehicles.

When you drive a Volvo, you become our partner in the work to lessen the car's impact on the environment. To reduce your vehicle's environmental impact, you can:

- Maintain proper air pressure in your tires. Tests have shown decreased fuel economy with improperly inflated tires.
- Follow the recommended maintenance schedule in your Warranty and Service Records Information booklet.
- Drive at a constant speed whenever possible.
- See a trained and qualified Volvo service technician as soon as possible for inspection if the check engine (malfunction indicator) light illuminates, or stays on after the vehicle has started.
- Properly dispose of any vehicle-related waste such as used motor oil, used batteries, brake pads, etc.
- When cleaning your vehicle, please use genuine Volvo car care products. All Volvo car care products are formulated to be environmentally friendly.

## WARNING

Certain components of this vehicle such as air bag modules, seat belt pretensioners, adaptive steering columns, and button cell batteries may contain Perchlorate material. Special handling may apply for service or vehicle end of life disposal. See [www.dtsc.ca.gov/hazardouswaste/perchlorate](http://www.dtsc.ca.gov/hazardouswaste/perchlorate).

For additional information regarding the environmental activities in which Volvo Cars of North America, LLC and Volvo Car Corporation are involved, visit our Internet home page at: <http://www.volvocars.us>.



## Important warnings

### Accessory Installation

- We strongly recommend that Volvo owners install only genuine, Volvo-approved accessories, and that accessory installations be performed only by a trained and qualified Volvo service technician.
- Genuine Volvo accessories are tested to ensure compatibility with the performance, safety, and emission systems in your vehicle. Additionally, a trained and qualified Volvo service technician knows where accessories may and may not be safely installed in your Volvo. In all cases, please consult a trained and qualified Volvo service technician before installing any accessory in or on your vehicle.
- Accessories that have not been approved by Volvo may or may not be specifically tested for compatibility with your car. Additionally, an inexperienced installer may not be familiar with some of your car's systems.
- Any of your car's performance and safety systems could be adversely affected if you install accessories that Volvo has not tested, or if you allow accessories to be installed by someone unfamiliar with your car.
- Damage caused by unapproved or improperly installed accessories may not be covered by your new car warranty. See your Warranty and Service Records Information booklet for more warranty information. Volvo assumes no responsibility for death, injury, or expenses that may result from the installation of non-genuine accessories.

### Driver distraction

Driver distraction results from driver activities that are not directly related to controlling the car in the driving environment. Your new Volvo is, or can be, equipped with many feature-rich entertainment and communication

systems. These include hands-free cellular telephones, navigation systems, and multipurpose audio systems. You may also own other portable electronic devices for your own convenience. When used properly and safely, they enrich the driving experience. Improperly used, any of these could cause a distraction.

For all of these systems, we want to provide the following warning that reflects the strong Volvo concern for your safety:

- Never use these devices or any feature of your vehicle in a way that distracts you from the task of driving safely. Distraction can lead to a serious accident.

In addition to this general warning, we offer the following guidance regarding specific newer features that may be found in your vehicle:

- Never use a hand-held cellular telephone while driving. Some jurisdictions prohibit cellular telephone use by a driver while the vehicle is moving.
- If your car is equipped with a navigation system, set and make changes to your travel itinerary only with the vehicle parked.
- Never program your audio system while the vehicle is moving. Program radio presets with the vehicle parked, and use your programmed presets to make radio use quicker and simpler.
- Never use portable computers or personal digital assistants while the vehicle is moving.

A driver has a responsibility to do everything possible to ensure his or her own safety and the safety of passengers in the vehicle and others sharing the roadway. Avoiding distractions is part of that responsibility.



This page left intentionally blank.



# 2008 VOLVO S40

## 10 01 Safety



Occupant safety	<a href="#">12</a>
Seat belts	<a href="#">14</a>
Supplemental Restraint System	<a href="#">17</a>
Front airbags	<a href="#">18</a>
Occupant Weight Sensor (OWS)	<a href="#">21</a>
Side impact protection airbags	<a href="#">24</a>
Volvo Inflatable Curtain (VIC)	<a href="#">25</a>
Whiplash Protection System	<a href="#">27</a>
Crash mode	<a href="#">29</a>
Child safety	<a href="#">30</a>
Child restraint systems	<a href="#">33</a>
Infant seats	<a href="#">35</a>
Convertible seats	<a href="#">37</a>
Booster cushions	<a href="#">40</a>
ISOFIX lower anchors	<a href="#">41</a>
Top tether anchors	<a href="#">42</a>
Child restraint registration and recalls	<a href="#">43</a>

## 11 01 Safety



## 12 01 Safety



### Occupant safety

#### Volvo's concern for safety

Safety is Volvo's cornerstone. Our concern dates back to 1927 when the first Volvo rolled off the production line. Three-point seat belts (a Volvo invention), safety cages, and energy-absorbing impact zones were designed into Volvo



cars long before it was fashionable or required by government regulation.

We will not compromise our commitment to safety. We continue to seek out new safety features and to refine those already in our cars. You can help. We would appreciate hearing your suggestions about improving automobile safety. We also want to know if you ever have a safety concern with your car. Call us in the U.S. at: 1-800-458-1552 or in Canada at: 1-800-663-8255.

### **Occupant safety reminders**

How safely you drive doesn't depend on how old you are but rather on:

- How well you see.
- Your ability to concentrate.
- How quickly you make decisions under stress to avoid an accident.

The following suggestions are intended to help you cope with the ever changing traffic-environment.

- Never drink and drive.
- If you are taking any medication, consult your physician about its potential effects on your driving abilities.
- Take a driver-retraining course.
- Have your eyes checked regularly.
- Keep your windshield and headlights clean.
- Replace wiper blades when they start to leave streaks.
- Take into account the traffic, road, and weather conditions, particularly with regard to stopping distance.

### **Reporting safety defects in the U.S.**

If you believe that your vehicle has a defect which could cause a crash or could cause injury or death, you should immediately inform the National Highway Traffic Safety Administration (NHTSA) in addition to notifying Volvo Cars of North America, LLC. If NHTSA receives similar complaints, it may open an investigation, and if it finds that a safety defect exists in a group of vehicles, it may order a recall and remedy campaign. However, NHTSA cannot become involved in individual problems between you, your retailer, or Volvo Cars of North America, LLC.

To contact NHTSA, you may either call the Auto Safety Hotline toll-free at 1-888-327-4236 (TTY: 1-800-424-9153) or write to: NHTSA, U.S. Department of Transportation, Washington D.C. 20590.

You can also obtain other information about motor vehicle safety from:

<http://www.safercar.gov>

Volvo strongly recommends that if your vehicle is covered under a service campaign, safety or emission recall or similar action, it should be completed as soon as possible. Please check with your local retailer or Volvo Cars of North America, LLC if your vehicle is covered under these conditions.



## **Occupant safety**

### **NHTSA can be reached at:**

Internet:

<http://www.nhtsa.gov>

Telephone:

1-888-DASH-2-DOT (1-888-327-4236).

## Reporting safety defects in Canada

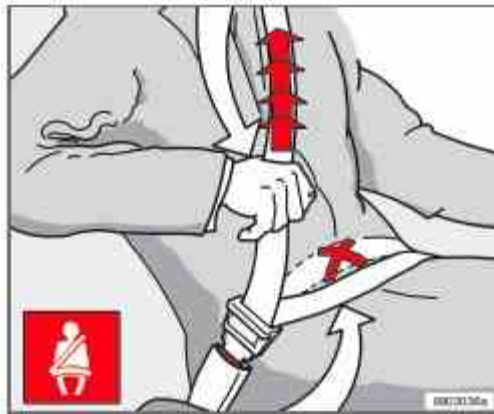
If you believe your vehicle has a defect that could cause a crash or could cause injury or death, you should immediately inform Transport Canada in addition to notifying Volvo Cars of Canada Corp.

To contact Transport Canada, call (800) 333-0510, or (613) 993-9851 if you are calling from the Ottawa region.



## Seat belts

### Using seat belts



Adjusting the seat belt

Seat belts should always be worn by all occupants of your vehicle. Children should be properly restrained, using an infant, car, or booster seat determined by age, weight and height.

Volvo also believes no child should sit in the front seat of a vehicle.

Most states and provinces make it mandatory for occupants of a vehicle to use seat belts.

### Seat belt pretensioners

The outboard seat belts are equipped with pretensioners that reduce slack in the belts. These pretensioners are triggered in situations where the front or side impact airbags deploy, and in certain impacts from the rear. The front seat belts also include a tension reducing device which, in the event of a collision, limits the peak forces exerted by the seat belt on the occupant.

### Buckling a seat belt

Pull the belt out far enough to insert the latch plate into the receptacle until a distinct click is heard. The seat belt retractor is normally "unlocked" and you can move freely, provided that the shoulder belt is not pulled out too far.

The retractor will lock up as follows:

- if the belt is pulled out rapidly
- during braking and acceleration
- if the vehicle is leaning excessively
- when driving in turns

### When wearing the seat belt remember:

- The belt should not be twisted or turned.

- The lap section of the belt must be positioned low on the hips (not pressing against the abdomen).
- Make sure that the shoulder belt is rolled up into its retractor and that the shoulder and lap belts are taut.

### Unbuckling the seat belt

- To remove the seat belt, press the red section on the seat belt receptacle. Before exiting the vehicle, check that the seat belt retracts fully after being unbuckled. If necessary, guide the belt back into the retractor slot.

#### WARNING

Never use a seat belt for more than one occupant. Never wear the shoulder portion of the belt under the arm, behind the back or otherwise out of position. Such use could cause injury in the event of an accident. As seat belts lose much of their strength when exposed to violent stretching, they should be replaced after any collision, even if they appear to be undamaged.



## Seat belts

#### WARNING

- Never repair the belt yourself; have this work done by a trained and qualified Volvo service technician only.
- Any device used to induce slack into the shoulder belt portion of the three-point belt system will have a detrimental effect on the amount of protection available to you in the event of a collision.
- The seat back should not be tilted too far back. The shoulder belt must be taut in order to function properly.
- Do not use child safety seats or child booster cushions/backrests in the front passenger's seat. We also recommend that children who have outgrown these devices sit in the rear seat with the seat belt properly fastened.

### Seat belt use during pregnancy



The seat belt should always be worn during pregnancy. But it is crucial that it be worn in the correct way. The diagonal section should wrap over the shoulder then be routed between the breasts and to the side of the belly. The lap section should lay flat over the thighs and as low as possible under the belly. It must never be allowed to ride upward. Remove all slack from the belt and insure that it fits close to the body without any twists.

As a pregnancy progresses, pregnant drivers should adjust their seats and steering wheel such that they can easily maintain control of the vehicle as they drive (which means they must be able to easily operate the foot pedals and steering wheel). Within this context, they should strive to position the seat with as large a distance as possible between their belly and the steering wheel.

## Child seats

Please refer to [page 35](#) for information on securing child seats with the seat belts.



## Seat belts

### Seat belt reminder



Seat belt reminder light in ceiling console

The seat belt reminder consists of an audible signal, an indicator light above the rearview mirror, and a symbol in the instrument panel (see [page 54](#)) that alert the driver and front seat passenger if their seat belts are not fastened.

#### NOTE

The function is active for a total of 6 minutes from the time the ignition is switched on.

#### **During the first minute:**

The seat belt reminder function only reacts if the driver has not fastened his/her seat belt.

- The indicator light above the mirror and the symbol in the instrument panel will light up and stay lit until the seat belt has been fastened.
- A chime will sound for 6 seconds. The frequency of the chiming increases with the speed of the car.

#### **After one minute has elapsed:**

The seat belt reminder reacts if the driver and/or the front seat passenger have not fastened their seat belts.

- The indicator light above the mirror and the symbol in the instrument panel will light up and stay lit until the seat belt(s) have been fastened, or until the remaining 5 minutes of the 6-minute cycle have elapsed.
- The chime will sound for 6 seconds, at 30-second intervals. The frequency of the chiming increases with the speed of the car.

After 6 minutes, the chime will no longer sound and the indicator lights will go out.

### Seat belt maintenance

Check periodically that the seat belts are in good condition. Use water and a mild detergent for cleaning. Check seat belt mechanism function as follows: attach the seat belt and pull rapidly on the strap.




## Supplemental Restraint System

### Supplemental Restraint System (SRS)



As an enhancement to the three-point seat belts, your Volvo is equipped with a Supplemental Restraint System (SRS). Volvo's SRS consists of seat belt pretensioners, front airbags, side impact airbags, the occupant weight sensor, and inflatable curtains. All of these systems are monitored by the SRS control module. An SRS warning light in the instrument panel (see the illustration) illuminates when the ignition key is turned to position I, II, or III, and will normally go out after approximately 7 seconds if no faults are detected in the system.

Where applicable, a text message will also be displayed when the SRS warning light illuminates. If this warning symbol is not functioning properly, the general warning symbol  illuminates and either SRS AIRBAG SERVICE URGENT or SRS AIRBAG SERVICE REQUIRED will be displayed.

#### WARNING

- If the SRS warning light stays on after the engine has started or if it illuminates while you are driving, have the vehicle inspected by a trained and qualified Volvo service technician as soon as possible.
- Never try to repair any component or part of the SRS yourself. Any interference in the system could cause malfunction and serious injury. All work on these systems should be performed by a trained and qualified Volvo service technician.

#### WARNING

If your vehicle has been subjected to flood conditions (e.g. soaked carpeting/standing water on the floor of the vehicle) or if your vehicle has become flood-damaged in any way, do not attempt to start the vehicle or put the key in the ignition before disconnecting the battery (see below). This may cause airbag deployment which could result in personal injury. Have the vehicle towed to a trained and qualified Volvo service technician for repairs.

#### **Automatic transmission**

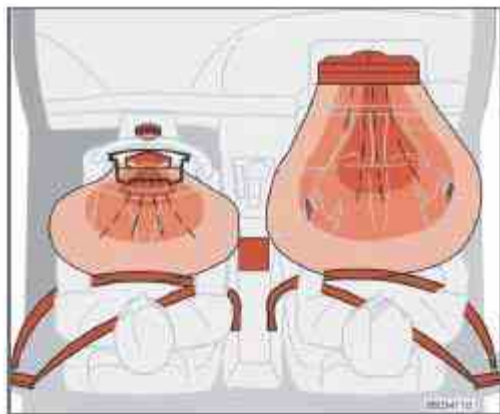
Before attempting to tow the vehicle, use the following procedure to override the shiftlock system to move the gear selector to the neutral position:

- Switch off the ignition for at least 10 minutes and disconnect the battery
- Wait at least one minute.
- Insert the key in the ignition and turn it to position II.
- Press firmly on the brake pedal.
- Move the gear selector from Park (P) to the Neutral (N) position. See [page 145](#) for information on manually



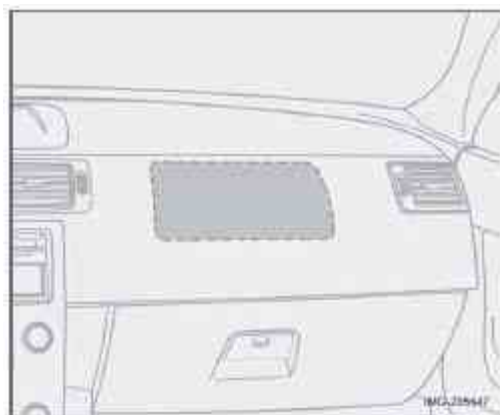
## Front airbags

### The front airbag system



The front airbags supplement the three-point seat belts. For these airbags to provide the protection intended, seat belts must be worn at all times.

The front airbag system includes gas generators surrounded by the airbags, and deceleration sensors that activate the gas generators, causing the airbags to be inflated with nitrogen gas.



*Location of the passenger's side front airbag*

As the movement of the seats' occupants compresses the airbags, some of the gas is expelled at a controlled rate to provide better cushioning. Both seat belt pretensioners also deploy, minimizing seat belt slack. The entire process, including inflation and deflation of the airbags, takes approximately one fifth of a second.

The location of the front airbags is indicated by "SRS AIRBAG" embossed on the steering wheel pad and above the glove compartment, and by decals on both sun visors and on the front and far right side of the dash.

- The driver's side front airbag is folded and located in the steering wheel hub.
- The passenger's side front airbag is folded behind a panel located above the glove compartment.



### WARNING

- The airbags in the vehicle are designed to be a SUPPLEMENT to-not a replacement for-the three-point seat belts.

For maximum protection, wear seat belts at all times. Be aware that no system can prevent all possible injuries that may occur in an accident.

- Never drive a vehicle with a steering wheel-mounted airbag with your hands on the steering wheel pad/airbag housing.
- The front airbags are designed to help prevent serious injury. Deployment occurs very quickly and with considerable force. During normal deployment and depending on variables such as seating position, one may experience abrasions, bruises, swellings, or other injuries as a result from deployment of one or both of the airbags.
- When installing any accessory equipment, make sure that the front airbag system is not damaged. Any interference in the system could cause malfunction.



## Front airbags

### Front airbag deployment

- The front airbags are designed to deploy during certain frontal or front-angular collisions, impacts, or decelerations, depending on the crash severity, angle, speed and object impacted. The airbags may also deploy in certain non-frontal collisions where rapid deceleration occurs.
- The SRS sensors, which trigger the front airbags, are designed to react to both the impact of the collision and the inertial forces generated by it, and to determine if the intensity of the collision is sufficient for the seat belt pretensioners and/or airbags to be deployed.

However, not all frontal collisions activate the front airbags.

- If the collision involves a nonrigid object (e.g., a snow drift or bush), or a rigid, fixed object at a low speed, the front airbags will not necessarily deploy.
- Front airbags do not normally deploy in a side impact collision, in a collision from the rear or in a rollover situation.
- The amount of damage to the bodywork does not reliably indicate if the airbags should have deployed or not.

#### NOTE

- Deployment of front airbags occurs only one time during an accident. In a collision where deployment occurs, the airbags and seat belt pretensioners activate. Some noise occurs and a small amount of powder is released. The release of the powder may appear as smoke-like matter. This is a normal characteristic and does not indicate fire.
- Volvo's front airbags use special sensors that are integrated with the front seat buckles. The point at which the airbag deploys is determined by whether or not the seat belt is being used, as well as the severity of the collision.
- Collisions can occur where only one of the airbags deploys. If the impact is less severe, but severe enough to present a clear injury risk, the airbags are triggered at partial capacity. If the impact is more severe, the airbags are triggered at full capacity.

Should you have questions about any component in the SRS system, please contact a trained and qualified Volvo service technician or Volvo Customer Support:

### In the USA

Volvo Cars of North America, LLC  
Customer Care Center  
P.O. Box 914 Rockleigh, New Jersey 07647- 0914  
1-800-458-1552  
[www.volvocars.us](http://www.volvocars.us)

## In Canada

Volvo Cars of Canada Corp.  
National Customer Service  
175 Gordon Baker Road  
North York, Ontario M2H 2N7  
1-800-663-8255  
[www.volvocanada.com](http://www.volvocanada.com)

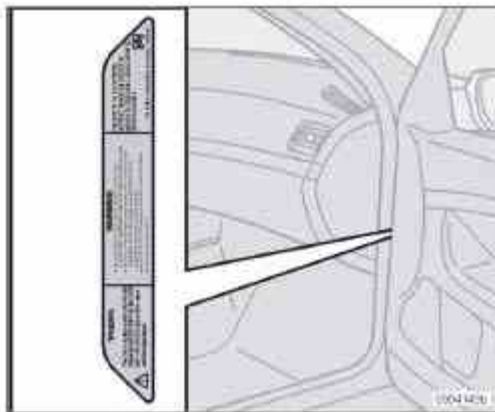
### WARNING

- Do not use child safety seats or child booster cushions/backrests in the front passenger's seat. We also recommend that occupants under 4 feet 7 inches (140 cm) in height who have outgrown these devices sit in the rear seat with the seat belt fastened<sup>1</sup>.
- Never drive with the airbags deployed. The fact that they hang out can impair the steering of your vehicle. Other safety systems can also be damaged.
- The smoke and dust formed when the airbags are deployed can cause skin and eye irritation in the event of prolonged exposure.

<sup>1</sup>See also the Occupant Weight Sensor information on [page 21](#).



## Front airbags



*Airbag decal in the front passenger's door opening*



*Airbag decal on the outside of both sun visors*

### WARNING



- Children must never be allowed in the front passenger's seat. Volvo recommends that ALL occupants (adults and children) shorter than 4 feet 7 inches (140 cm) be seated in the back seat of any vehicle with a passenger-side front airbag. See [page 32](#) for guidelines.
- Occupants in the front passenger's seat must never sit on the edge of the seat, sit leaning toward the instrument panel or otherwise sit out of position.
  - The occupant's back must be as upright as comfort allows and be against the seat back with the seat belt properly fastened.
- Feet must be on the floor, e.g., not on the dash, seat or out of the window.



Airbag decal on passenger's side dashboard

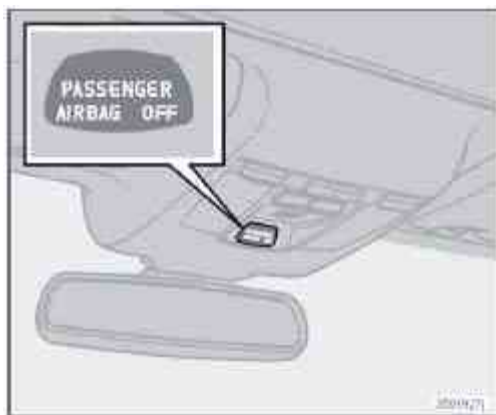
## WARNING

- No objects or accessory equipment, e.g. dashboard covers, may be placed on, attached to, or installed near the air bag hatch (the area above the glove compartment) or the area affected by airbag deployment (see the illustration on [page 18](#)).
- There should be no loose articles, e.g. coffee cups, on the floor, seat, or dashboard area.
- Never try to open the airbag cover on the steering wheel or the passenger's side dashboard. This should only be done by a trained and qualified Volvo service technician.
- Failure to follow these instructions can result in injury to the vehicle occupants.



## Occupant Weight Sensor (OWS)

### Disabling the passenger's side front airbag



Occupant Weight Sensor (OWS) indicator light

Volvo recommends that ALL occupants (adults and children) shorter than 4 feet 7 inches (140 cm) be seated in the rear

seat of any vehicle with a passenger's side front airbag, and be properly restrained. Children should always be seated in child restraints appropriate for their size and weight. See also the child safety recommendations beginning on [page 30](#).

The Occupant Weight Sensor (OWS) is designed to meet the regulatory requirements of Federal Motor Vehicle Safety Standard (FMVSS) 208 and is designed to disable (will not inflate) the passenger's side front airbag under certain conditions.

The OWS works with sensors that are part of the front passenger's seat and seat belt. The sensors are designed to detect the presence of a properly seated occupant and determine if the passenger's side front airbag should be enabled (may inflate) or disabled (will not inflate).

The OWS will disable (will not inflate) the passenger's side front airbag when:

- the front passenger's seat is unoccupied, or has small/medium objects in the front seat,
- the system determines that an infant is present in a rear-facing infant seat that is installed according to the manufacturer's instructions,
- the system determines that a small child is present in a forward-facing child restraint that is installed according to the manufacturer's instructions,
- the system determines that a small child is present in a booster seat,
- a front passenger takes his/her weight off of the seat for a period of time,
- a child or a small person occupies the front passenger's seat.

The OWS uses a PASSENGER AIRBAG OFF indicator lamp which will illuminate and stay on to remind you that the passenger's side front airbag is disabled. The PASSENGER AIRBAG OFF indicator lamp is located in the overhead console, near the base of the rearview mirror.

#### NOTE

When the ignition is switched on, the OWS indicator light will go on for up to 10 seconds while the system performs a self-diagnostic test.

However, if a fault is detected in the system:

- The OWS indicator light will stay on
- The SRS warning light (see [page 17](#)) will come on and stay on
- The message PASS. AIRBAG OFF SERVICE URGENT will be displayed in the information display.

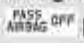
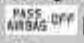



## Occupant Weight Sensor (OWS)

### WARNING

- Never try to open, remove, or repair any components in the OWS system. This could result in system malfunction. Maintenance or repairs should only be carried out by an a trained and qualified Volvo service technician.
- If a fault in the system is detected and indicated as explained on the preceding page, be aware that the passenger's side front airbag will not deploy in the event of a collision. In this case, the SRS system and Occupant Weight Sensor should be inspected by a trained and qualified Volvo service technician as soon as possible.
- The front passenger's seat should not be modified in any way. This could reduce pressure on the seat cushion, which might interfere with the OWS system's function.

The OWS is designed to disable (will not inflate) the passenger's side front airbag when a rear facing infant seat, a forward-facing child restraint, or a booster seat is detected. The PASSENGER AIRBAG OFF indicator lamp will illuminate and stay on to remind you that the passenger's side front airbag is disabled (see the following table).

Passenger's seat occupancy status	OWS indicator light status	Passenger's side front airbag status
Seat unoccupied	OWS indicator light  lights up	Passenger's side front airbag disabled
Seat occupied by low weight occupant/object <sup>1</sup>	OWS indicator light  lights up	Passenger's side front airbag disabled
Seat occupied by heavy occupant/object	OWS indicator light  is not lit	Passenger's side front airbag enabled

<sup>1</sup>Volvo recommends that children always be properly restrained in appropriate child restraints in the rear seats. Do not assume that the passenger's side front airbag is disabled unless the PASSENGER AIRBAG OFF indicator lamp is lit. Make sure the child restraint is properly installed. If there is any doubt as to the status of the passenger's side front airbag, move the child restraint to the rear seat.

The OWS is designed to enable (may inflate) the passenger's side front airbag anytime the system senses that a person of adult size is sitting properly in the front passenger's seat. The PASSENGER AIRBAG OFF indicator lamp will be off and remain off.

If a person of adult size is sitting in the front passenger's seat, but the PASSENGER AIRBAG OFF indicator lamp is on, it is possible that the person isn't sitting properly in the seat. If this happens:

- Turn the vehicle off and ask the person to place the seatback in an upright position.
- Have the person sit upright in the seat, centered on the seat cushion, with the person's legs comfortably extended.
- Restart the vehicle and have the person remain in this position for about two minutes. This will allow the system to detect that person and enable the passenger's frontal airbag.
- If the PASSENGER AIRBAG OFF indicator lamp remains on even after this, the person should be advised to ride in the rear seat.

This condition reflects limitations of the OWS classification capability. It does not indicate OWS malfunction.

### Modifications

If you are considering modifying your vehicle in any way to accommodate a disability, for example by altering or adapting the driver's or front passenger's seat(s) and/or airbag systems, please contact Volvo at:

### In the USA



## Occupant Weight Sensor (OWS)

Volvo Cars of North America, LLC  
 Customer Care Center  
 P.O. Box 914 Rockleigh, New Jersey 07647-0914  
 1-800-458-1552

## In Canada

Volvo Cars of Canada Corp.

National Customer Service 175 Gordon Baker Road North York, Ontario M2H 2N7

1-800-663-8255

### WARNING

- No objects that add to the total weight on the seat should be placed on the front passenger's seat. If a child is seated in the front passenger's seat with any additional weight, this extra weight could cause the OWS system to enable the airbag, which might cause it to deploy in the event of a collision, thereby injuring the child.
- The seat belt should never be wrapped around an object on the front passenger's seat. This could interfere with the OWS system's function.
- The front passenger's seat belt should never be used in a way that exerts more pressure on the passenger than normal. This could increase the pressure exerted on the weight sensor by a child, and could result in the airbag being enabled, which might cause it to deploy in the event of a collision, thereby injuring the child.

### WARNING

Keep the following points in mind with respect to the OWS system. Failure to follow these instructions could adversely affect the system's function and result in serious injury to the occupant of the front passenger's seat:

- The full weight of the front seat passenger should always be on the seat cushion. The passenger should never lift him/herself off the seat cushion using the armrest in the door or the center console, by pressing the feet on the floor, by sitting on the edge of the seat cushion, or by pressing against the backrest in a way that reduces pressure on the seat cushion. This could cause OWS to disable the passenger's side front airbag.
- Do not place any type of object on the front passenger's seat in such a way that jamming, pressing, or squeezing occurs between the object and the front seat, other than as a direct result of the correct use of the Automatic Locking Retractor/Emergency Locking Retractor (ALR/ELR) seat belt (see [page 32](#)).
- No objects should be placed under the front passenger's seat. This could interfere with the OWS system's function.



## Side impact protection airbags

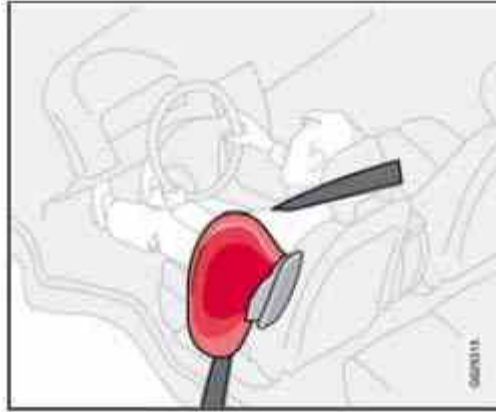
### Side impact airbags - front seats only



Location of the side impact (SIPS) airbag

As an enhancement to the structural side impact protection built into your car, the car is also equipped with Side Impact Protection System (SIPS) airbags.

The SIPS airbag system is designed to help increase occupant protection in the event of certain side impact collisions. The SIPS airbags are designed to deploy only during certain side-impact collisions, depending on the crash severity, angle, speed and point of impact.



Location of the side impact (SIPS) airbag

#### NOTE

SIPS airbag deployment (one airbag) occurs only on the side of the vehicle affected by the impact. The airbags are not designed to deploy in all side impact situations.

#### Components in the SIPS airbag system

This SIPS airbag system consists of gas generators and side airbag modules built into the outboard sides of both front seat backrests.

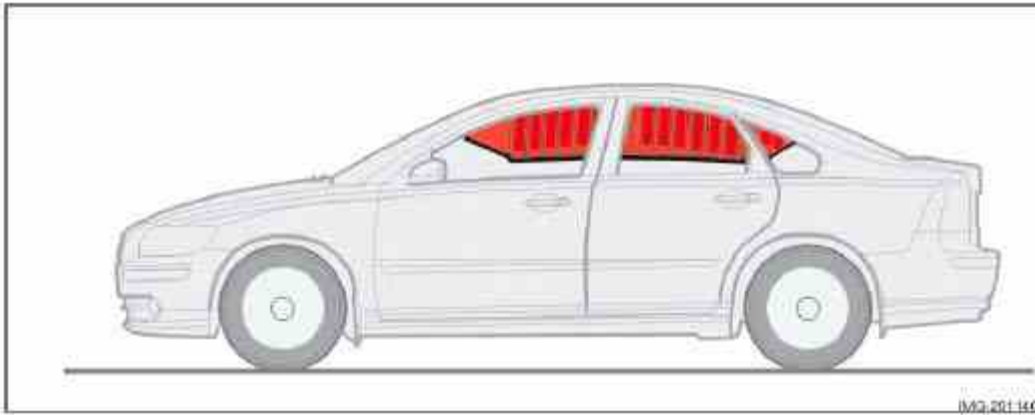
#### WARNING

- The SIPS airbag system is a supplement to the structural Side Impact Protection System and the three-point seat belt system. It is not designed to deploy during collisions from the front or rear of the car or in rollover situations.
- The use of seat covers on the front seats may impede SIPS airbag deployment.
- No objects, accessory equipment or stickers may be placed on, attached to or installed near the SIPS airbag system or in the area affected by SIPS airbag deployment.
- Never try to open or repair any components of the SIPS airbag system. This should be done only by a trained and qualified Volvo service technician.
- In order for the SIPS airbag to provide its best protection, both front seat occupants should sit in an upright position with the seat belt properly fastened.
- Failure to follow these instructions can result in injury to the occupants of the vehicle in the event of an accident.



## Volvo Inflatable Curtain (VIC)

### The Volvo Inflatable Curtain system



This system consists of inflatable curtains located along the sides of the roof liners, stretching from the center of both front side windows to the rear edge of the rear side door windows. It is designed to help protect the heads of the occupants of the front seats and the occupant of the outboard rear seating positions in certain side impact collisions.

In certain side impacts, **both** the Inflatable Curtain (VIC) and the Side Impact Airbag System (SIPS airbag) will deploy. The VIC and the SIPS airbag deploy simultaneously.

**i** NOTE

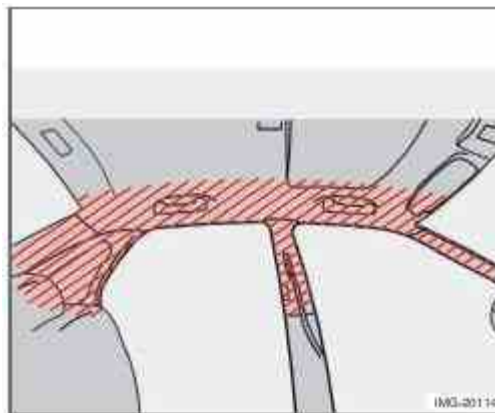
If the inflatable curtain deploys, it remains inflated for approximately 3 seconds.

**!** WARNING

- The VIC system is a supplement to the Side Impact Protection System. It is not designed to deploy during collisions from the front or rear of the car or in rollover situations.
- Never try to open or repair any components of the VIC system. This should be done only by a trained and qualified Volvo service technician.
- Never hang heavy items from the ceiling handles. This could impede deployment of the Inflatable curtain.



## Volvo Inflatable Curtain (VIC)



**!** WARNING

In order for the VIC to provide its best protection, both front seat occupants and both outboard rear seat occupants

should sit in an upright position with the seat belt properly fastened; adults using the seat belt and children using the proper child restraint system. Only adults should sit in the front seats. Children must never be allowed in the front passenger's seat. See [page 32](#) for guidelines. Failure to follow these instructions can result in injury to the vehicle occupants in an accident.



## Whiplash Protection System

### Whiplash Protection System (WHIPS) - front seats only



The WHIPS system consists of specially designed hinges and brackets on the front seat backrests designed to help absorb some of the energy generated in a collision from the rear (when the vehicle is "rear-ended").

In the event of a collision of this type, the hinges and brackets of the front seat backrests are designed to change position slightly to allow the backrest/head restraint to help support the occupant's head before moving slightly rearward. This movement helps absorb some of the forces that could result in whiplash.

#### WARNING

- The WHIPS system is designed to supplement the other safety systems in your car. For this system to function properly, the three-point seat belt must be worn. Please be aware that no system can prevent all possible injuries that may occur in an accident.
- The WHIPS system is designed to function in certain collisions from the rear, depending on the crash severity, angle and speed.



## Whiplash Protection System

#### WARNING

Occupants in the front seats must never sit out of position. The occupant's back must be as upright as comfort allows and be against the seat back with the seat belt properly fastened.

#### WARNING

- If your car has been involved in a rear-end collision, the front seat backrests must be inspected by a trained and qualified Volvo service technician, even if the seats appear to be undamaged. Certain components in the WHIPS system may need to be replaced.
- Do not attempt to service any component in the WHIPS system yourself.



 **WARNING**

Any contact between the front seat backrests and the folded rear seat could impede the function of the WHIPS system. If the rear seat is folded down, the occupied front seats must be adjusted forward so that they do not touch the folded rear seat.



 **WARNING**

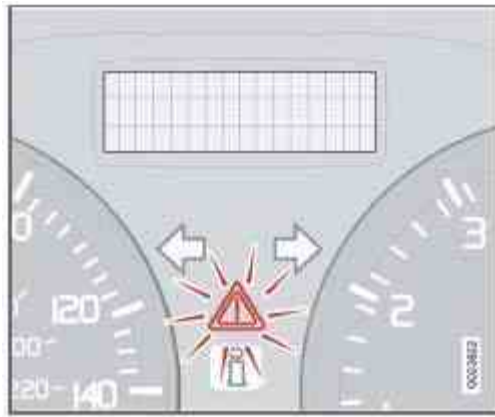
- Boxes, suitcases, etc. wedged behind the front seats could impede the function of the WHIPS system.
- If the rear seat backrests are folded down, cargo must be secured to prevent it from sliding forward against the front seat backrests in the event of a collision from the rear. This could interfere with the action of the WHIPS system.



## Crash mode

### Driving after a collision





If the vehicle has been involved in a collision, the text **CRASH MODE SEE MANUAL** may appear in the information display. This indicates that the vehicle's functionality has been reduced.

#### NOTE

This text can only be shown if the display is undamaged and the vehicle's electrical system is intact.

**CRASH MODE** is a feature that is triggered if one or more of the safety systems (for example, front or side airbags, an inflatable curtain, or one or more of the seat belt pretensioners) has deployed. The collision may have damaged an important function in the vehicle, such as the fuel lines, sensors for one of the safety systems, the brake system, etc.

#### WARNING

- Never attempt to repair the vehicle yourself or to reset the electrical system after the vehicle has displayed **CRASH MODE SEE MANUAL**. This could result in injury or improper system function.
- Restoring the vehicle to normal operating mode should only be done by a trained and qualified Volvo service technician.
- After **CRASH MODE SEE MANUAL** has been displayed, if you detect the odor of fuel vapor, or see any signs of fuel leakage, do not attempt to start the vehicle. Leave the vehicle immediately.

#### **Attempting to start the vehicle**

If damage to the vehicle is minor and there is no fuel leakage, you may attempt to start the vehicle. To do so:

1. Remove the ignition key or optional keyless drive start control (see [page 138](#)).
2. Reinsert the key or start control in the ignition switch. The vehicle will then attempt to reset **CRASH MODE** to normal mode.
3. Try to start the vehicle.

#### **Moving the vehicle**

If the electrical system is able to reset system status to normal (**CRASH MODE SEE MANUAL** will no longer be displayed), the vehicle may be moved carefully from its present position, if for example, it is blocking traffic. It should, however, not be moved farther than is absolutely necessary.

#### WARNING

Even if the vehicle appears to be drivable after **CRASH MODE** has been set, it should not be driven or towed (pulled by another vehicle). There may be concealed damage that could make it difficult or impossible to control. The vehicle should be transported on a flatbed tow truck to a trained and qualified Volvo service technician for



## Child safety

### Children should be seated safely

Volvo recommends the proper use of restraint systems for all occupants including children. Remember that, regardless of age and size, a child should always be properly restrained in a car.

Your car is also equipped with ISOFIX/LATCH attachments, which make it more convenient to install child seats.

Some restraint systems for children are designed to be secured in the vehicle by lap belts or the lap portion of a lap-shoulder belt. Such child restraint systems can help protect children in cars in the event of an accident only if they are used properly. However, children could be endangered in a crash if the child restraints are not properly secured in the vehicle. Failure to follow the installation instructions for your child restraint can result in your child striking the vehicle's interior in a sudden stop.

Holding a child in your arms is NOT a suitable substitute for a child restraint system. In an accident, a child held in a person's arms can be crushed between the vehicle's interior and an unrestrained person. The child could also be injured by striking the interior, or by being ejected from the vehicle during a sudden maneuver or impact. The same can also happen if the infant or child rides unrestrained on the seat. Other occupants should also be properly restrained to help reduce the chance of injuring or increasing the injury of a child.

All states and provinces have legislation governing how and where children should be carried in a car. Find out the regulations existing in your state or province. Recent accident statistics have shown that children are safer in rear seating positions than front seating positions when properly restrained. A child restraint system can help protect a child in a vehicle. Here's what to look for when selecting a child restraint system:

- It should have a label certifying that it meets applicable Federal Motor Vehicle Safety Standards (FMVSS 213) - or in Canada, CMVSS 213.
- Make sure the child restraint system is approved for the child's height, weight and development - the label required by the standard or regulation, or instructions for infant restraints, typically provide this information.
- In using any child restraint system, we urge you to carefully look over the instructions that are provided with the restraint. Be sure you understand them and can use the device properly and safely in this vehicle. A misused child restraint system can result in increased injuries for both the infant or child and other occupants in the vehicle.

When a child has outgrown the child safety seat, you should use the rear seat with the standard seat belt fastened. The best way to help protect the child here is to place the child on a cushion so that the seat belt is properly located on the hips (see the illustration on [page 40](#)). Legislation in your state or province may mandate the use of a child seat or cushion in combination with the seat belt, depending on the child's age and/or size. Please check local regulations.

A specially designed and tested booster cushion (not available in Canada) can be obtained from your Volvo retailer for children weighing 33 - 80 lb. (15 - 36 kg) and 38-54 inches (97 - 137 cm) in height.



## Child safety



**WARNING**

- Do not use child safety seats or child booster cushions/backrests in the front passenger's seat. We also recommend that children under 4 feet 7 inches (140 cm) in height who have outgrown these devices sit in the rear seat with the seat belt fastened.
- Keep vehicle doors and trunk locked and keep keys out of a child's reach. Unsupervised children could lock themselves in an open trunk and risk injury. Children should be taught not to play in vehicles.
- On hot days, the temperature in the trunk or vehicle interior can rise very quickly. Exposure to these high temperatures for even a short period of time can cause heat-related injury or death. Small children are particularly at risk.



## Child safety

### Automatic Locking Retractor/Emergency Locking Retractor (ALR/ELR)

To make child seat installation easier, each seat belt (except for the driver's belt) is equipped with a locking mechanism to help keep the seat belt taut.

#### When attaching the seat belt to a child seat:

- Attach the seat belt to the child seat according to the child seat manufacturer's instructions.
- Pull the seat belt out as far as possible.
- Insert the seat belt latch plate into the buckle (lock) in the usual way.
- Release the seat belt and pull it taut around the child seat.

A sound from the seat belt retractor will be audible at this time and is normal. The belt will now be locked in place. This function is automatically disabled when the seat belt is unlocked and the belt is fully retracted.



### WARNING

Do not use child safety seats or child booster cushions/backrests in the front passenger's seat. We also recommend that children who have outgrown these devices sit in the rear seat with the seat belt properly fastened.

### Volvo's recommendations

Why does Volvo believe that no child should sit in the front seat of a car? It's quite simple really. A front airbag is a very powerful device designed, by law, to help protect an adult.

Because of the size of the airbag and its speed of inflation, a child should never be placed in the front seat, even if he or she is properly belted or strapped into a child safety seat. Volvo has been an innovator in safety for over seventy-five years, and we'll continue to do our part. But we need your help. Please remember to put your children in the back seat, and buckle them up.

#### Volvo has some very specific recommendations:

- Always wear your seat belt.
- Airbags are a SUPPLEMENTAL safety device which, when used with a three-point seat belt can help reduce serious injuries during certain types of accidents. Volvo recommends that you do not disconnect the airbag system in your vehicle.
- Volvo strongly recommends that everyone in the vehicle be properly restrained.
- Volvo recommends that ALL occupants (adults and children) shorter than 4 feet 7 inches (140 cm) be seated in the back seat of any vehicle with a front passenger side airbag.
- Drive safely!



## Child restraint systems

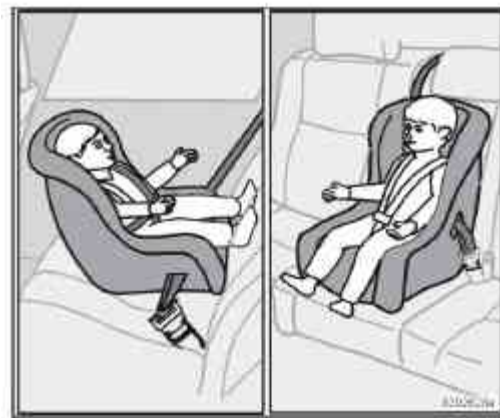
### Child restraints



Infant seat

There are three main types of child restraint systems: infant seats, convertible seats, and booster cushions. They are classified according to the child's age and size.

The following section provides **general information** on securing a child restraint using a three-point seat belt. Refer to [pages 41-42](#) for information on securing a child restraint using ISOFIX lower anchors and/or top tether anchorages.



Convertible seat



### WARNING

A child seat should never be used in the front passenger seat of any vehicle with a front passenger airbag - not even if the "Passenger airbag off" symbol near the rear-view mirror is illuminated (on vehicles equipped with Occupant Weight Sensor). If the severity of an accident were to cause the airbag to inflate, this could lead to serious injury or death to a child seated in this position.



Booster cushion

## WARNING

Always refer to the child restraint manufacturer's instructions for detailed information on securing the restraint.

34 01 Safety



## Child restraint systems

## WARNING

- When not in use, keep the child restraint system secured or remove it from the passenger compartment to help prevent it from injuring passengers in the event of a sudden stop or collision.
- A small child's head represents a considerable part of its total weight and its neck is still very weak. Volvo recommends that children up to age 4 travel, properly restrained, facing rearward. In addition, Volvo recommends that children should ride rearward facing, properly restrained, as long as possible.

35 01 Safety



## Infant seats

### Securing an infant seat with a seat belt



Do not place the infant seat in the front passenger's seat

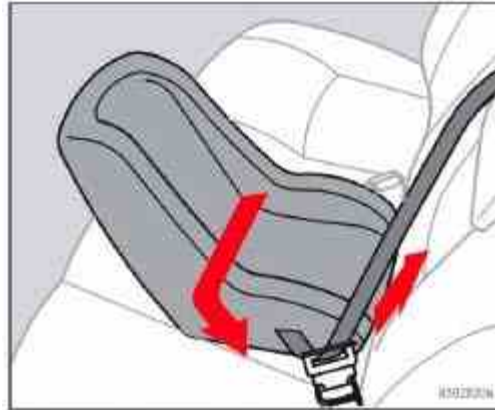
**i** NOTE

Refer to [pages 41-42](#) for information on securing a child restraint using ISOFIX lower anchors and/or top tether anchorages.

1. Place the infant seat in the rear seat of the vehicle.

**!** WARNING

- An infant seat must be in the rear-facing position only.
- The infant seat should not be positioned behind the driver's seat unless there is adequate space for safe installation.

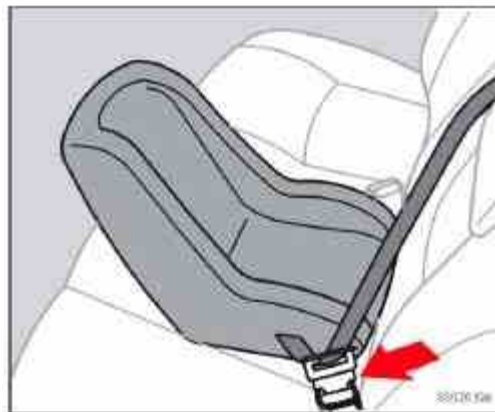


*Positioning the seat belt through the infant seat*

2. Attach the seat belt to the infant seat according to the manufacturer's instructions.
3. Fasten the seat belt by inserting the latch plate into the buckle (lock) until a distinct click is audible.



## Infant seats

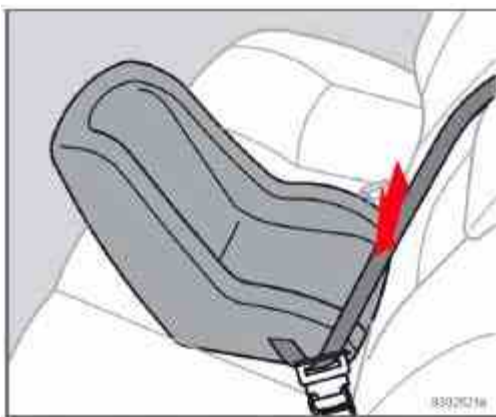


*Fasten the seat belt*

**!** WARNING

A child seat should never be used in the front passenger seat of any vehicle with a front passenger airbag - not even if the "Passenger airbag off" symbol near the rear-view mirror is illuminated (on vehicles equipped with Occupant Weight Sensor). If the severity of an accident were to cause the airbag to inflate, this could lead to serious injury or

death to a child seated in this position.



*Pull out the shoulder section of the seat belt*

4. Pull the shoulder section of the seat belt out as far as possible to activate the belt's automatic locking function.
5. Press the infant seat firmly in place, let the seat belt retract and pull it taut. A sound from the seat belt retractor's automatic locking function will be audible at this time and is normal. The seat belt should now be locked in place.

**i NOTE**

The locking retractor will automatically release when the seat belt is unbuckled and allowed to retract fully.



*Ensure that the seat is securely in place*

6. Push and pull the infant seat to ensure that it is held securely in place by the seat belt.

**! WARNING**

It should not be possible to move the child restraint more than 1 in. (2.5 cm) in any direction.

The infant seat can be removed by unbuckling the seat belt and letting it retract completely.



## Convertible seats

### Securing a convertible seat with a seat belt



*Do not place the convertible seat in the front passenger's seat*

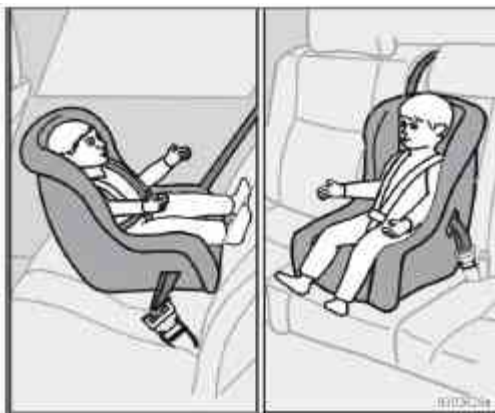
**i** NOTE

Refer to [pages 41-42](#) for information on securing a child restraint using ISOFIX lower anchors and/or top tether anchorages.

Convertible seats can be used in either a forward or rearward-facing position, depending on the age and size of the child.

**!** WARNING

Always use a convertible seat that is suitable for the child's age and size. See the convertible seat manufacturer's recommendations.



*Route the seat belt through the convertible seat*

**!** WARNING

A small child's head represents a considerable part of its total weight and its neck is still very weak. Volvo recommends that children up to age 4 travel, properly restrained, facing rearward. In addition, Volvo recommends that children should ride rearward facing, properly restrained, as long as possible.

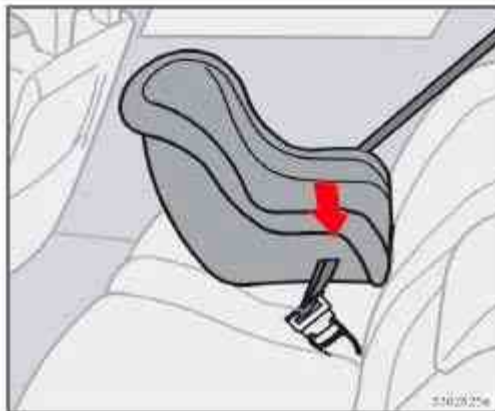




1. Place the convertible seat in the rear seat of the vehicle.

**WARNING**

- Convertible child seats should be installed in the rear seat only.
- A rear-facing convertible seat should not be positioned behind the driver's seat unless there is adequate space for safe installation.



*Fasten the seat belt*

2. Attach the seat belt to the convertible seat according to the manufacturer's instructions.

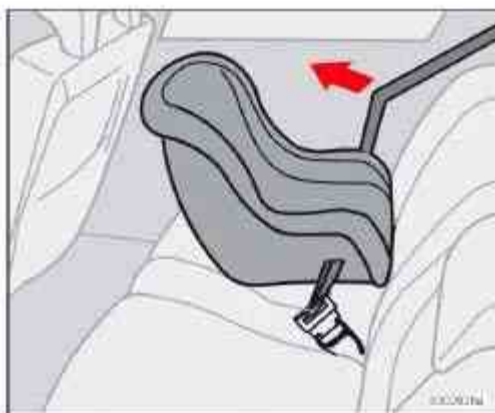
3. Fasten the seat belt by inserting the latch plate into the buckle (lock) until a distinct click is audible.

4. Pull the shoulder section of the seat belt out as far as possible to activate the belt's automatic locking function.

5. Press the convertible seat firmly in place, let the seat belt retract and pull it taut. A sound from the seat belt retractor's automatic locking function will be audible at this time and is normal. The seat belt should now be locked in place.



## Convertible seats



*Pull out the shoulder section of the seat belt*

**NOTE**

The locking retractor will automatically release when the seat belt is unbuckled and allowed to retract fully.

6. Push and pull the convertible seat to ensure that it is held securely in place by the seat belt.

**WARNING**

It should not be possible to move the child restraint more than 1 in. (2.5 cm) in any direction.



Ensure that the seat is securely in place

The convertible seat can be removed by unbuckling the seat belt and letting it retract completely.



## Booster cushions

### Securing a booster cushion



Position the child correctly on the booster cushion

**WARNING**

A child seat should never be used in the front passenger seat of any vehicle with a front passenger airbag - not even if the "Passenger airbag off" symbol near the rear-view mirror is illuminated ( on vehicles equipped with Occupant Weight Sensor). If the severity of an accident were to cause the airbag to inflate, this could lead to serious injury or death to a child seated in this position.

Booster cushions are recommended for children who have outgrown convertible seats.

1. Place the booster cushion in the rear seat of the vehicle.
2. With the child properly seated on the booster cushion, attach the seat belt to or around the cushion according to the manufacturer's instructions.
3. Fasten the seat belt by inserting the latch plate into the buckle (lock) until a distinct click is audible.



Positioning the seat belt

4. Ensure that the seat belt is pulled taut and fits snugly around the child.

#### **WARNING**

- The hip section of the three-point seat belt must fit snugly across the child's hips, not across the stomach.
- The shoulder section of the three-point seat belt should be positioned across the chest and shoulder.
- The shoulder belt must never be placed behind the child's back or under the arm.



## ISOFIX lower anchors

### Using the ISOFIX lower child seat anchors



ISOFIX lower child restraint anchors

Lower anchors for ISOFIX-equipped child seats are located in the rear, outboard seats, hidden below the backrest cushions. Symbols on the seat back upholstery mark the anchor positions (see the illustration).

**To access the anchors:**

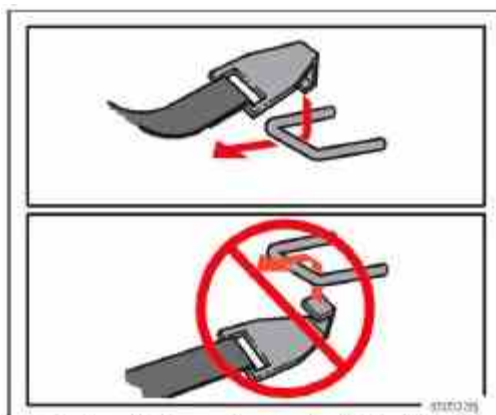
1. Put the child restraint in position.
2. Kneel on the child restraint to press down the seat cushion and locate the anchors by feel.
3. Fasten the attachment on the child restraint's lower straps to the ISOFIX lower anchors.
4. Firmly tension the lower child seat straps according to the manufacturer's instructions.

**i NOTE**

- The rear seat's center position is not equipped with ISOFIX lower anchors. When installing a child restraint in this position, attach the restraint's top tether strap (if it is so equipped) to the top tether anchorage point (see the information on [page 42](#)) and secure the restraint with the vehicle's center seat belt (see the information beginning on [page 33](#)).
- Always follow your child seat manufacturer's installation instructions, and use both ISOFIX lower anchors and top tethers whenever possible.

**! WARNING**

The ISOFIX lower child restraint anchors are only intended for use with child seats positioned in the outboard seating positions. These anchors are not certified for use with any child restraint that is positioned in the center seating position. When securing a child restraint in the center seating position, use only the vehicle's center seat belt.



*Fasten the attachment correctly to the ISOFIX lower anchors*

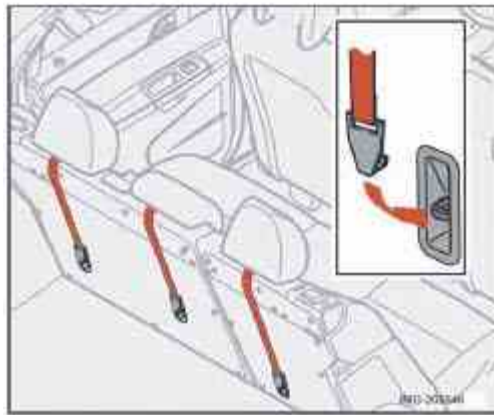
**! WARNING**

Be sure to fasten the attachment correctly to the anchor (see the illustration). If the attachment is not correctly fastened, the child restraint may not be properly secured in the event of a collision.



## Top tether anchors

### Top tether anchors



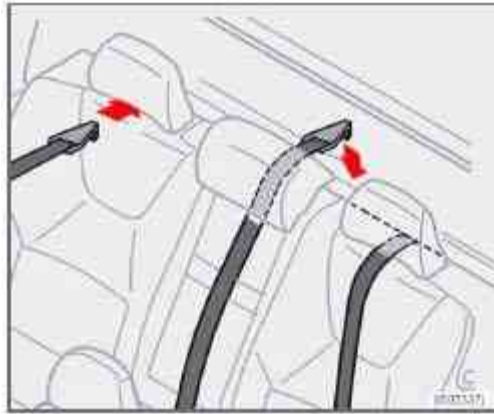
Top tether anchorage points

Volvo vehicles are equipped with child restraint top tether anchorages in all rear seat positions.

### Using the top tether anchorages

1. Place the child restraint on the rear seat.

2. Release the backrest and tilt it forward to access the anchorage. Return the seat back to the upright position and make sure it locks in place after the attachment has been fastened to the anchorage.



Route the strap under the head restraint

3. Route the top tether strap under the head restraint and fasten its attachment to the anchorage.

### WARNING

Be sure to fasten the child tether attachment correctly to the anchor. If it is not correctly fastened, the child seat may not be properly restrained in the event of a collision.

4. Firmly tension the top tether strap according to the child restraint manufacturer's instructions. Tension the top tether strap only after the lower anchor straps or the seat belt have been firmly tensioned.

See [page 41](#) for on securing the child restraint to ISOFIX lower anchors.

### WARNING

- Never route a top tether strap over the top or around the head restraint. It should always be routed under the head restraint.
- Child restraint anchorages are designed to withstand only those loads imposed by correctly fitted child restraints. Under no circumstances are they to be used for adult seat belts or harnesses. The anchorages are not able to withstand excessive forces on them in the event of collision if full harness seat belts or adult seat belts are installed

to them. An adult who uses a belt anchored in a child restraint anchorage runs a great risk of suffering severe injuries should a collision occur.

- Do not install rear speakers that require the removal of the top tether anchors or interfere with the proper use of the top tether strap.



## Child restraint registration and recalls

### Registering a child restraint

Child restraints could be recalled for safety reasons. You must register your child restraint to be reached in a recall. To stay informed about child safety seat recalls, be sure to fill out and return the registration card that comes with new child restraints.

Child restraint recall information is readily available in both the U.S. and Canada. For recall information in the U.S., call the U.S. Government's Auto Safety Hotline at 1-800- 424-9393. In Canada, visit Transport Canada's Child Safety website at <http://www.tc.gc.ca/roadsafety/childsafety/menu.htm>.



# 2008 VOLVO S40

## 44 02 Instruments and controls



Instrument overview	<a href="#">46</a>
Instrument panel	<a href="#">49</a>
Indicator and warning symbols	<a href="#">51</a>
Symbols - instrument panel	<a href="#">53</a>
Information display	<a href="#">56</a>
12-volt sockets	<a href="#">58</a>
Lighting panel	<a href="#">59</a>
Left-side steering wheel lever	<a href="#">62</a>
Trip computer	<a href="#">63</a>
Cruise control	<a href="#">65</a>
Right-side steering wheel lever	<a href="#">67</a>
Rain sensor	<a href="#">68</a>
Steering wheel adjustment, Hazard warning flashers	<a href="#">69</a>
Parking brake	<a href="#">70</a>
Power windows	<a href="#">71</a>
Mirrors	<a href="#">73</a>
Power moonroof (option)	<a href="#">75</a>
Personal settings	<a href="#">77</a>
HomeLink® Universal Transceiver (option)	<a href="#">80</a>

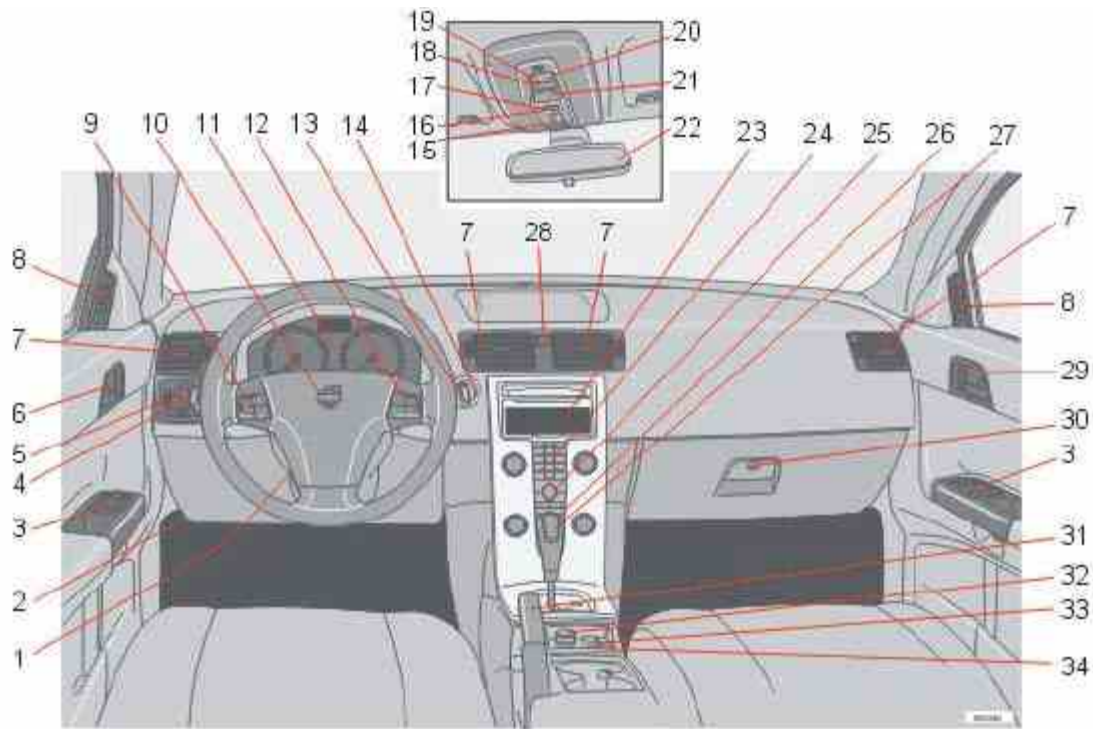
## 45 02 Instruments and controls



## 46 02 Instruments and controls



### Instrument overview



## Instrument overview

1. Steering wheel adjustment	<a href="#">69</a>
2. Hood opener	<a href="#">203</a>
3. Controls in front doors	<a href="#">(see inset illustration at next page)</a>
4. Left steering wheel lever	<a href="#">62</a>
5. Lighting panel	<a href="#">59</a>
6. Door open handle and locking button	<a href="#">122</a>
7. Climate system air vent	<a href="#">88</a>
8. Side window air vent	<a href="#">88</a>
9. Cruise control	<a href="#">65</a>
10. Horn, airbag	<a href="#">18</a>
11. Main instrument panel	<a href="#">49</a>
12. Audio controls (option)	<a href="#">231</a>
13. Right steering wheel lever	<a href="#">67</a>
14. Ignition switch	<a href="#">135</a>
15. Moonroof control (option)	<a href="#">75</a>
16. Not in use	
17. Movement detector (option), alarm sensor	<a href="#">125</a>
18. Courtesy lighting switch	<a href="#">101</a>
19. Driver's side reading light	<a href="#">101</a>
20. Passenger's side reading light	<a href="#">101</a>

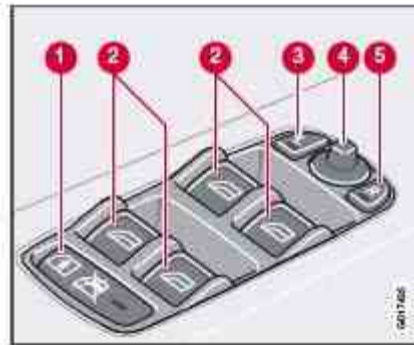


21. Seat belt reminder and Occupant Weight Sensor indicator	<a href="#">54</a>
22. Rear-view mirror	<a href="#">73</a>
23. Display for climate control, personal settings, and audio system	<a href="#">77/230</a>
24. Audio system	<a href="#">230</a>
25. Controls for personal settings and audio system	<a href="#">77/230</a>
26. Controls for climate system	<a href="#">89/92</a>
27. Gear selector, manual	<a href="#">139 -140</a>
Gear selector, automatic	<a href="#">141</a>
28. Hazard warning flashers	<a href="#">69</a>
29. Door open handle, and locking button	<a href="#">122</a>
30. Glove compartment	<a href="#">104/123</a>
31. Parking brake	<a href="#">70</a>
32. 12-volt socket	<a href="#">58</a>
33. Not in use	
34. Not in use	



## Instrument overview

### Control panel in driver's door

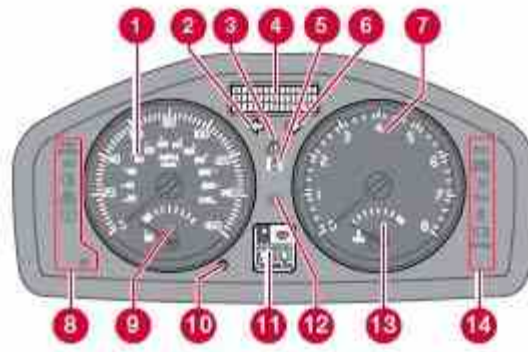


1. Lockout switch for rear windows [71](#)
2. Power windows [71](#)
3. Door mirror button, driver's side [74](#)
4. Door mirror adjustment control [74](#)
5. Door mirror button, passenger's side [74](#)



## Instrument panel

### Instrument panel



1. Speedometer

2. Turn signal, left

3. Warning symbol - See the following pages for additional information.

4. Information display - The display presents information and warning messages, the ambient temperature, and the clock, etc. When the ambient temperature is between 23° and 36°F (-5° and +2°C), a snowflake symbol is shown in the display. This symbol serves as a warning for possible slippery road surfaces. Please note that this symbol does not indicate a fault with your car. At low speeds, or when the car is not moving, the temperature readings may be slightly higher than the actual ambient temperature.

5. Information symbol - See the following pages for additional information.

6. Turn signal, right

7. Tachometer - Shows engine speed in thousands of revolutions per minute (rpm). Do not drive continuously with the needle in the red area of the dial, which indicates maximum allowable engine rpm range. Instead, shift to a higher gear or slow the vehicle down. The engine management system will automatically prevent excessively high engines speeds. This will be noticeable as a pronounced unevenness in engine speed.

8. Indicator and warning symbols

9. Fuel gauge (see [page 252](#) for fuel tank volume). When a warning light in the gauge comes on, there are approximately 2.1 US gallons (8 liters) of fuel remaining in the tank. For more information on fuel level and consumption, see "Trip computer" on [page 63](#).



## Instrument panel

10. Trip odometer reset button - The trip odometers are used to measure short distances. Press the button briefly to switch between the odometer for the car's total mileage and the two trip odometers, T1 and T2. A long press (more than 2 seconds) resets the currently selected trip odometer.

11. Function display - This window displays information on functions such as the odometer, trip odometers, optional rain sensor, and cruise control.

12. High beam indicator

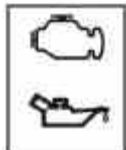
13. Temperature gauge - The gauge indicates the temperature of the engine cooling system. If the temperature is abnormally high and the needle enters the red zone, a message is shown in the display. Bear in mind that auxiliary lamps in front of the air intake reduce the cooling capacity at high outside temperatures and high engine loads.



## Indicator and warning symbols

### Function check

The indicator and warning symbols<sup>1</sup> light up when you turn the ignition key or the optional keyless drive start control to the driving position (position II) before starting. This shows that the symbols are functioning.



When the engine starts, all symbols go out. If the engine is not started within 5 seconds, all of the symbols

except CHECK ENGINE and will go out. Certain symbols may not have their functions illustrated, depending on the car's equipment.

The PARK BRAKE symbol will not go out until the parking brake has been released.

<sup>1</sup>On certain engines, the symbol for low oil pressure is not used. Instead, a text warning is provided in the information display, see also [page 206](#).

### Symbols in the center of the instrument panel



#### Warning symbol

The red warning symbol lights up to indicate a fault that could affect the car's drivability. This symbol illuminates when the vehicle is traveling at speeds above 5 mph (7 km/h). A text explaining the nature of the fault will also be shown in the information display. The symbol and accompanying text will remain on until the fault has been corrected. This symbol may also light up in combination with other indicator or warning symbols.

If the red warning symbol lights up:

1. Stop the car as soon as possible in a suitable location.
2. Read the message in the information display.
3. Follow the instructions provided, or contact a trained and qualified Volvo service technician. Erase the message by pressing READ (see [page 56](#)).



## Information symbol

The yellow information symbol lights up to alert the driver to a message in the information display. This symbol illuminates when the vehicle is traveling at speeds below 5 mph (7 km/h).

The message can be erased by pressing the READ button (see [page 56](#)), or will disappear automatically (the length of time required for the message to disappear varies, depending on the function indicated).

When the message "TIME FOR REGULAR SERVICE" is displayed, the text can be erased and the information symbol light can be turned off by pressing the READ button. The text will disappear and the symbol light will go out automatically after two minutes.



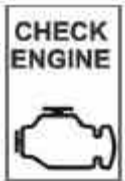
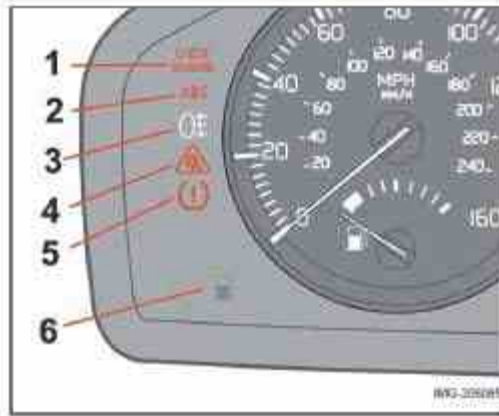
## Indicator and warning symbols

This symbol may also light up in combination with other indicator or warning symbols.



## Symbols - instrument panel

### Symbols - left side



### 1. Malfunction indicator light

As you drive, a computer called On-Board Diagnostics II (OBDII) monitors your car's engine, transmission, electrical and emission systems.

The CHECK ENGINE light will light up if the computer senses a condition that potentially may need correcting. When this happens, please have your car checked by a trained and qualified Volvo service technician as soon as possible.

A CHECK ENGINE light may have many causes. Sometimes, you may not notice a change in your car's behavior. Even so, an uncorrected condition could hurt fuel economy, emission controls, and drivability. Extended driving

without correcting the cause could even damage other components in your car.

 **NOTE**

Canadian models are equipped with the second symbol.



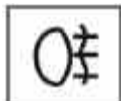
**2. Anti-lock Brake system (ABS)**

If the warning light comes on, there is a malfunction of the ABS system (the standard braking system will still function).

The vehicle should be driven to a trained and qualified Volvo service technician for inspection. See [page 147](#) for additional information.

 **NOTE**

Canadian models are equipped with the second symbol.



**3. Rear fog light**

This symbol indicates that the rear fog light (located in the driver's side taillight cluster) is on.



**4. Stability system STC or DSTC**

This indicator symbol flashes when the STC (Stability and Traction control system) or the DSTC (Dynamic Stability and Traction control system) is actively working to stabilize the car. See [page 149](#) for more detailed information.

**5. Not in use**



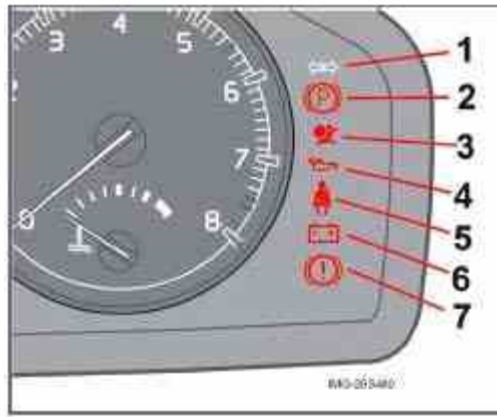
**6. Fuel level warning light**

When this light comes on, there are approximately 2.1 US gallons (8 liters) of fuel remaining in the tank.



## Symbols - instrument panel

### Symbols - right side



### 1. Turn signal indicator for trailer (certain models)

If you are towing a trailer, this light will flash simultaneously with the turn signals on the trailer. If the light does not flash when signaling, one of the turn signals on the trailer or on the car are not functioning properly.



### 2. Parking brake applied

This light is on when the parking brake (hand brake) is applied. The parking brake lever is situated between the front seats. See [page 70](#) for more information.

**NOTE**  
Canadian models are equipped with the second symbol.



### 3. SRS system warning light

If this light comes on while the car is being driven, or remains on for longer than approximately 10 seconds after the car has been started, the SRS system's diagnostic functions have detected a fault in a seat belt lock or pretensioner, a front airbag, side impact airbag, and/or an inflatable curtain. Have the system(s) inspected by a trained and qualified Volvo service technician as soon as possible.



### 4. Oil pressure warning light<sup>1</sup>

If the light comes on while driving, the car, stop the engine immediately, and check the engine oil level. If the oil level is normal and the light stays on after restart, have the car towed to the nearest trained and qualified Volvo service technician. After hard driving, the light may come on occasionally when the engine is idling. This is normal, provided it goes off when the engine speed is increased.



### 5. Seat belt reminder

This symbol (and the seat belt reminder light above the rear view mirror) will light up if either front seat occupant has not buckled his/her seat belt. If the car is not moving, the symbols will go out after approximately 6 seconds.



## 6. Generator warning light

If the light comes on while the engine is running, have the charging system checked by an authorized Volvo workshop.

<sup>1</sup>On certain engines, this symbol is not used to indicate low oil pressure. Instead, a text warning is provided in the information display, see also [page 206](#).



## Symbols - instrument panel



## 7. Brake failure warning light

If this light comes on while driving or braking, stop the car as quickly as possible in a safe place, open the hood, and check the brake fluid level in the reservoir. See [page 204](#) for the location of the reservoir.



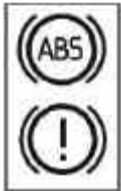
### NOTE

Canadian models are equipped with the second symbol.



### WARNING

If the fluid level is below the MIN mark in the reservoir or if a "Brake failure - Service urgent" message is displayed in the information display: **DO NOT DRIVE**. Have the car towed to a trained and qualified Volvo service technician and have the brake system inspected.



**If the BRAKE and ABS warning lights come on at the same time, this could indicate a fault in the**

**brake system.**

In this case:

1. Stop the car in a suitable place and switch off the engine.
2. Restart the engine.
3. If both warning lights go off, no further action is required and the car can be driven.
4. If both lights remain on after the engine has been restarted, switch off the engine again and check the brake fluid level. See [page 204](#) for the location of the reservoir.

## Door open warning

The driver will be alerted if one of the doors, the hood, or the trunk lid are open or ajar.



### At low speeds

If the car is moving at a speed of less than approximately 3 m.p.h. (5 km/h), the Information symbol in the instrument panel will light up and a message will be shown in the information display indicating which door(s), etc is not completely closed.



### At higher speeds

If the car is moving at a speed above approximately 6 m.p.h. (10 km/h), the Warning symbol in the instrument panel will light up and a message will be shown in the information display indicating which door(s), etc is not completely closed.



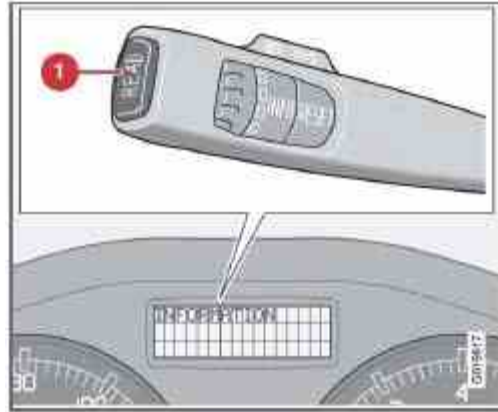
### Hood and trunk

If the hood and/or trunk lid is not completely closed, the Information symbol in the instrument panel will light up and a message will be displayed, regardless of the vehicle's speed.



## Information display

### Messages



When an indicator or warning light in the instrument panel comes on, a message is also shown in the information display. To read a message:

1. Press the **READ** button (1).
2. Pressing **READ** repeatedly enables you to scroll to any other messages that may be stored.

### NOTE

If a message is displayed when e.g. you are using the trip computer, this message must be read before you can access the trip computer.





## Information display

Message	Meaning
STOP SAFELY <sup>1</sup>	Stop the vehicle in a safe place and switch off the engine to help prevent the risk of serious damage.
HIGH ENGINE TEMP STOP SAFELY	Stop the vehicle in a safe place and switch off the engine to help prevent the risk of serious damage.
SERVICE URGENT <sup>1</sup>	Take your vehicle to a trained and qualified Volvo service technician for inspection immediately.
SEE MANUAL <sup>1</sup>	Refer to your owner's manual. For additional information, please contact your Volvo retailer.
BOOK TIME FOR SERVICE	Book time for service at an authorized Volvo workshop.
SERVICE REQUIRED <sup>1</sup>	Take your vehicle to a trained and qualified Volvo service technician for inspection as soon as possible (but preferably before the next scheduled maintenance service).
TIME FOR REGULAR MAINTENANCE	This message is affected by the number of miles/km driven, by the number of months, or by the number of engine hours since the service reminder was reset at the most recent regularly scheduled service.
MAINTENANCE OVERDUE	If the vehicle is not serviced according to schedule, the warranty may not apply to damaged parts, etc.
REMINDER CHECK OIL LEVEL	Stop as soon as possible and switch off the engine, check the oil level and top up if necessary. See page 205.
TRANSMISSION PERFOR- MANCE LOW	The transmission is not functioning at full capacity. Drive carefully until the message disappears, see page 144. If the message recurs, contact a trained and qualified Volvo service technician.
TRANSMISSION OIL TEMP HIGH	Drive slower or stop the car in a safe place. Put the transmission in <b>N</b> or <b>P</b> and let the engine idle until the message disappears. See page 144 for more information.
TRANSM OIL TEMP STOP SAFELY	A critical fault has occurred. Stop the car as soon as possible in a safe place. Contact a trained and qualified Volvo service technician. <sup>2</sup>

<sup>1</sup>This is part of the message. Additional information will also be displayed.

<sup>2</sup>See page 144 for more information about messages pertaining to the automatic transmission.



## 12-volt sockets

### 12-volt socket (front seat)



12-volt socket, auxiliary equipment

The 12-volt socket can be used to plug in certain accessories such as cellular telephones, etc. The maximum current is 10A. The key must be in position I (or higher) for the auxiliary socket to function.

### Ashtrays/cigarette lighter

The auxiliary socket can also be used for a cigarette lighter<sup>1</sup>, and ashtrays<sup>1</sup> are also available. Please contact your Volvo retailer.

<sup>1</sup>Accessory.

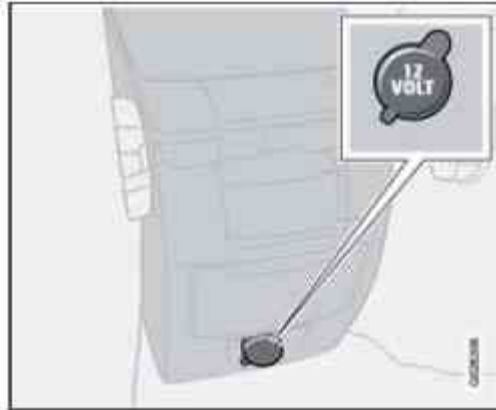
**i** NOTE

The cover should be kept on when the auxiliary socket is not in use.

**Auxiliary equipment**

The buttons to the right of the 12-volt socket can be used for Volvo-installed optional or auxiliary equipment.

**12-volt socket (rear seat)**

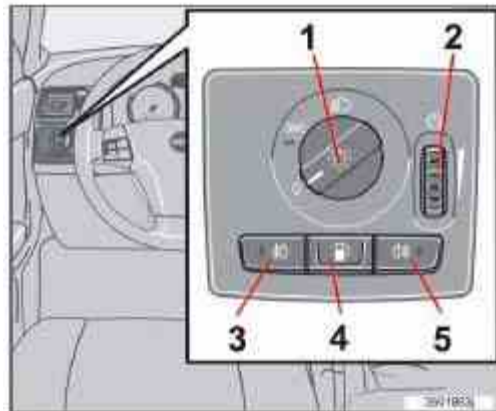


**i** NOTE

The 12-volt socket in the rear seat cannot function as a cigarette lighter.



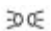
**Lighting panel**



Pos.	Lighting
0	Daytime running lights off. High beam flash only.
	Parking lights
	Daytime running lights. High beams and high beam flash can be used in this position.

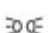
**Parking lights**

The front and rear parking lights can be turned on even when the ignition is switched off.

- Turn switch (1) to position .

The license plate lights also illuminate when the parking lights are switched on.

## Headlights

1. Turn the ignition key to position II.
2. The low beam headlights (daytime running lights) illuminate automatically, except when the light switch (1) is in position <sup>1</sup>.

### NOTE

See [page 62](#) for information on switching between high and low beams.


<sup>1</sup>On Canadian models, the daytime running lights will remain on with the light switch in this position.

## Active Bi-Xenon® Lights (option)



Lighting panel, vehicles with Active Bi-Xenon® headlights

When the ABL function is activated, the headlight beams adjust laterally to help light up a curve according to movements of the steering wheel.

This function can be activated by turning the lighting switch to the ABL position (indicated by the arrow in the illustration). The indicator light  in the ABL symbol will illuminate. The function can be deactivated by turning



## Lighting panel

the lighting switch counterclockwise to one of the other lighting positions.



Headlight pattern with ABL deactivated (left) and activated (right).

**i** NOTE

- This function can only be activated in twilight or dark conditions, and only when the vehicle is in motion.
- If the indicator light flashes, this indicates a fault in the ABL system. A text message will also be displayed.

### Brake lights

The brake lights come on automatically when the brakes are applied.

### Fog lights

#### Front fog lights (option)

The front fog lights can be used in combination with either the headlights or the parking lights.

1. Turn the ignition key to position II.
2. Press button 3 to turn on the front fog lights.

An indicator light in the button illuminates when the front fog lights are on.

#### Rear fog light

The single rear fog light is located in the driver's side taillight cluster.

The rear fog light will only function in combination with the high/low beam headlights or the optional front fog lights.

1. Turn the ignition key to position II.
2. Press button 5 to turn on the rear fog light.

An indicator light in the button illuminates when the rear fog light is on.

**i** NOTE

The rear fog light is considerably brighter than the normal taillights and should be used only when conditions such as fog, rain, snow, smoke or dust reduce visibility for other vehicles to less than 500 ft. (150 meters).

### Instrument panel lighting

The instrument panel lighting illuminates when the ignition is in position II and the light switch (1) is in either position

0 or .

## NOTE

To make it easier to read the odometer, trip odometer, clock, and ambient temperature, these gauges illuminate when the vehicle is unlocked and when the key has been removed from the ignition switch. The lighting will go out when the vehicle is locked.

- Move the thumb wheel (2) up to increase brightness or down to decrease brightness.

### Unlocking the fuel filler door

With the ignition switched off, press button 4 to unlock the fuel filler door. Please note that



## Lighting panel

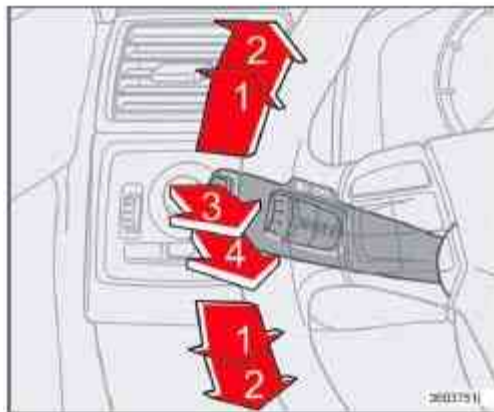
the fuel filler door will remain unlocked until the car begins to move forward.

An audible click will be heard when the fuel filler door re-locks.



## Left-side steering wheel lever

### Lever positions



1. Turn signals, lane change position
2. Turn signals, position for normal turns
3. High beam flash
4. Toggle between high and low beams, Home Safe lighting

### Turn signals

#### When turning

Move the lever as far up or down as possible (to position 2) to start the turn signals. The turn signals will be cancelled automatically by the movement of the steering wheel, or the lever can be returned to its initial position by hand.

## When changing lanes

The driver can automatically flash the turn signals 3 times by:

- Moving the turn signal lever up or down to position 1 and releasing it.
- Moving the lever up or down to position 2 and immediately back to its original position.


### NOTE

This automatic flashing sequence can be interrupted by immediately moving the lever in the opposite direction.

- If the turn signal indicator flashes faster than normal, check for a burned-out turn signal bulb.

## High/low beam headlights

### Continuous high beams

1. Turn the ignition key to position II.
2. With the light switch (1) in position , (see [page 59](#)) pull the turn signal lever toward the steering wheel (position 4) to toggle between high and low beams.

### High beam flash

1. Turn the ignition key to position II.
2. Pull the turn signal lever to position
3. The high beams will remain on until the lever is released.

### NOTE

The high beam flash only functions when the key is in the ignition.

## Home safe lighting

When you leave your car at night, you can make use of the home safe lighting function to illuminate the area in front of the car.

1. Remove the key from the ignition switch.
2. Pull the direction indicator lever as far as possible towards the steering wheel (to position 4) and release it.
3. Exit the car and lock the doors.

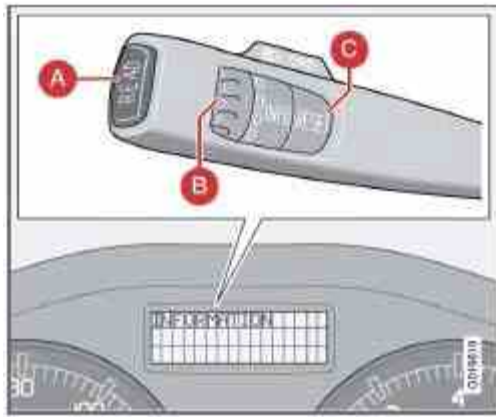
The headlights and parking lights will illuminate and remain on for 30<sup>1</sup>, 60 or 90 seconds. The time interval can be changed according to your preferences by using the Personal Settings function, see [page 77](#) for more information.

<sup>1</sup>Factory setting



## Trip computer

### Trip computer (option)



The trip computer stores information gathered from several systems in your car and has five menus (six on Canadian models) that can be shown in the information display.

- MILES TO EMPTY TANK
- AVERAGE (average fuel consumption)
- INSTANTANEOUS (current fuel consumption)
- AVERAGE SPEED
- ACTUAL SPEED (current speed in m.p.h., Canadian models only)
- STC/DSTC (see [page 149](#))

#### NOTE

Warning messages from the car's monitoring systems will override the trip computer function.

If a warning message is shown in the information display while you are using the trip computer:

1. Acknowledge the message by pressing the READ button (A).
2. Press button A again to return to the trip computer function.

### Controls

The trip computer functions can be accessed by twisting INFO (B) one step at a time in either direction. Twisting a final time returns you to the original function.

### Resetting

AVERAGE (average fuel consumption) and AVERAGE SPEED can be reset.

1. Select one of these functions.
2. Press RESET (C).

Holding RESET for at least five seconds resets both functions at the same time.

### MILES TO EMPTY TANK

This function shows the approximate distance that can be driven on the fuel remaining in the tank. This calculation is based on average fuel consumption during the last 20 miles (30 km) of driving and the amount of fuel remaining in the tank when the reading was taken. When the driving distance on current fuel reserve is less than 12 miles (20 km), "----" will be displayed in the information display.

### AVERAGE

This value indicates fuel consumption since the last time the trip computer was reset (by pressing RESET, button C).

When the engine is switched off, information on fuel consumption is stored and remains in system memory until the RESET (button C) is pressed again.

#### INSTANTANEOUS

This value indicates the current fuel consumption, based on readings taken once per second. When the car is not moving, "----" will be displayed.

#### AVERAGE SPEED

This value indicates average speed since the last time the trip computer was reset (by pressing RESET, button C). When the engine is switched off, information on average



## Trip computer

speed is stored and remains in system memory until the RESET (button C) is pressed again.

#### ACTUAL SPEED (Canadian models only)

This function provides the driver with an instantaneous conversion of the car's current speed from km/h to m.p.h.

#### NOTE

Trip computer readings may vary slightly depending on the circumference of the tires on the car, tire inflation, or driving style.



## Cruise control

### Engaging the cruise control function



The cruise control buttons are located on the left side of the steering wheel hub.

1. Press the CRUISE button. CRUISE will appear in the function display in the center of the instrument panel.

#### NOTE

This does not set the vehicle's speed.



2. Press + or - to set the current speed. CRUISE ON will be displayed.

### Increasing or decreasing speed

Use + or - in the following ways to increase or decrease the vehicle's speed:

1. Press and hold down + or - until the vehicle reaches the desired speed. This will become the set speed when the button is released.
2. Press + or - for approximately a half second and release the button to increase or decrease vehicle speed by approximately 1 mph (1.6 km/h).

#### NOTE

- Cruise control will not function at speeds below 20 mph. (30 km/h).
- Momentary acceleration, for less than 1 minute (e.g. when passing another car), does not affect cruise control operation. The car will automatically return to the previously set speed when the accelerator pedal is released.

### Temporarily disengaging the cruise control

- Press 0 to temporarily disengage cruise control.

CRUISE will appear in the function display. The currently set speed is stored in the system's memory.

### Cruise control is also automatically disengaged:

- If the speed drops below approximately 20 mph (30 km/h) when driving uphill.
- When the brake or clutch pedal is depressed.
- If the gear selector is moved to the Neutral (N) position.
- During wheel spin or wheel lock-up.
- If the vehicle's speed is increased by using the accelerator pedal for more than 1 minute.

### Returning to the set speed



Press the button to resume the previously set speed.



## Cruise control

### Disengaging cruise control

Cruise control can also be disengaged by:

- Pressing the CRUISE button (CRUISE ON will no longer be shown in the function display).
- Putting the gear selector in Neutral (N).

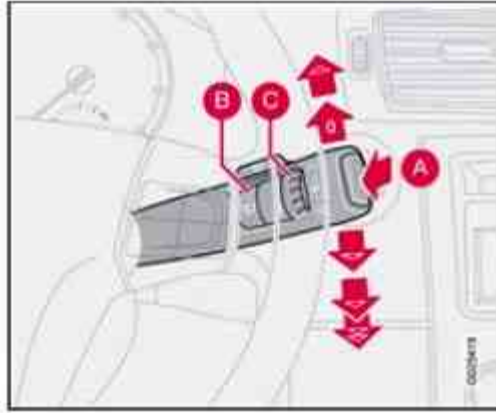
#### WARNING

Cruise control should not be used in heavy traffic or when driving on wet or slippery roads. Cruise control may not maintain set speed on steep downgrades.



## Right-side steering wheel lever

### Windshield wipers



- A. Windshield/headlight washers
- B. Rain sensor (option) - on/off, see [page 68](#)
- C. Thumb wheel

### CAUTION

- Use ample washer fluid when washing the windshield. The windshield should be thoroughly wet when the wipers are in operation.
- Before using the wipers, ice and snow should be removed from the windshield. Be sure the wiper blades are not frozen in place.

### Windshield wipers off

The windshield wipers are off when the lever is in position 0.



### Manual wiper function

From position 0, move the lever upward. The windshield wipers will sweep one stroke at a time for as long as the lever is held up.

### Intermittent wiper function

With the lever in this position, you can set the wiper interval by moving the thumb wheel (C) upward to increase wiper speed or downward to decrease the speed.

### Continuous wiper function

-  The wipers operate at "normal" speed.
-  High speed wiper function.

## Windshield washers (A)

Pull the lever toward the steering wheel and release it. The wipers will make 2-3 sweeps across the windshield after the lever has been released.

## Headlight washers (certain models)

When the lever has been pulled, high pressure jets mounted in the bumper will spray the headlights.

The following applies to conserve washer fluid (see [page 59](#) for information on the light switch positions):



### Low/high beam headlights on

The headlights will be washed the first time the windshield is washed. Thereafter, the headlights will only be washed once for every five times the windshield is washed within a 10-minute period.



### Parking lights on

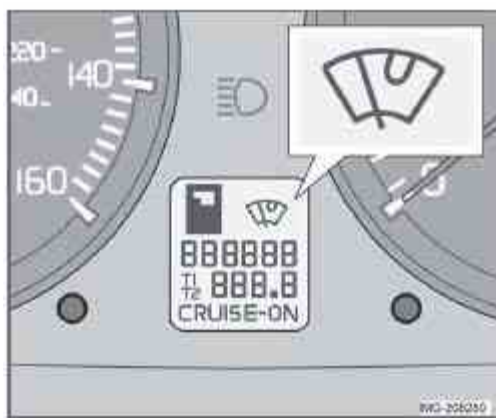
Optional Bi-Xenon® headlights will be washed once for every five times the windshield is washed.

Normal halogen headlights will not be washed.



## Rain sensor

### B - Rain sensor (option)



The rain sensor regulates windshield wiper speed according to the amount of water on the windshield. The sensitivity of the rain sensor is adjusted by moving the thumb wheel (C in the illustration on the previous page) up (the wipers will sweep the windshield more frequently) or down (the wipers will sweep the windshield less frequently).

### On/Off

#### To activate the rain sensor:

1. Switch on the ignition.
2. Put the windshield wiper lever in position 0.

3. Press button B (see the illustration on [page 67](#)). The rain sensor symbol will appear in the lower display.

### The rain sensor can be deactivated by:

- Pressing button (B).
- or
- Moving the windshield wiper lever down.

#### NOTE

The rain sensor function will remain activated if the lever is briefly moved up to activate the "manual sweep" function.

#### CAUTION

The rain sensor should be deactivated when washing the car in an automatic car wash, etc. If the rain sensor function is left on, the wipers will start inadvertently in the car wash and could be damaged.

### The rain sensor is automatically deactivated:

- When the key is removed from the ignition.
- Five minutes after the ignition is switched off if the key is left in the ignition.

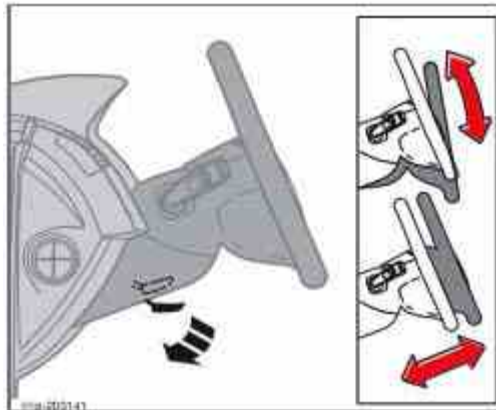
### C - Thumb wheel

The thumb wheel is used to set the wiper interval when intermittent wiping is selected, or the sensitivity to the amount of rain on the windshield when the rain sensor is selected. Move the wheel upward or downward to increase/decrease wiper speed when the intermittent function is selected, or to increase/decrease the optional rain sensor's sensitivity when this function is activated.



## Steering wheel adjustment, Hazard warning flashers

### Steering wheel adjustment



Both the height and the reach of the steering wheel can be adjusted to a comfortable position for the driver.

1. Pull down the lever on the steering column to release the steering wheel.

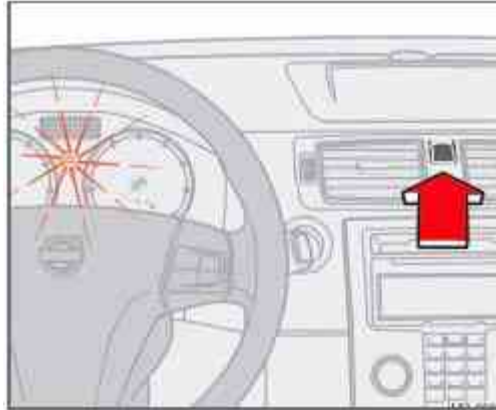
2. Adjust the steering wheel to a suitable position

3. Press the lever back into place to lock the steering wheel in the new position. If necessary, press the steering wheel slightly while pressing the lever into the locked position.


Check that the steering wheel is locked in the new position.

 **WARNING**  
Never adjust the steering wheel while driving.

## Hazard warning flashers



The four-way flasher should be used to indicate that the vehicle has become a traffic hazard. To activate the flashers, press the triangular button in the center dash. Press the button again to turn off the flashers.

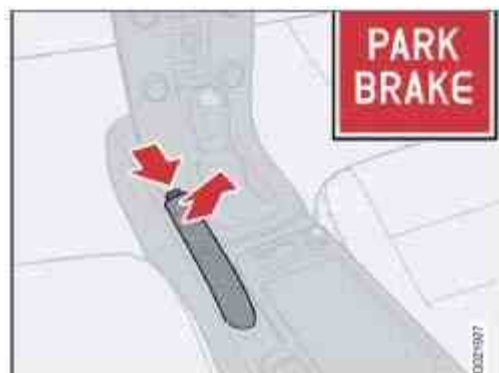
 **NOTE**

- Regulations regarding the use of the hazard warning flasher may vary, depending on where you live.
- The hazard warning flashers will be activated automatically if an airbag deploys.



## Parking brake

### Parking brake (hand brake)



The parking brake lever is located between the front seats.

 **NOTE**

The indicator light will light up even if the parking brake has only been partially applied.

**When applying the parking brake**

1. Press firmly on the brake pedal.
2. Pull the parking brake lever up firmly to its full extent.
3. Release the brake pedal and ensure that the vehicle is at a standstill.
4. If the vehicle rolls, the parking brake lever must be pulled more firmly.
5. When parking a vehicle always put the gear selector in first gear (for manual transmission) or P (for automatic transmission).

**Parking on a hill**

- If the vehicle is pointing uphill, turn the front wheels so that they point away from the curb.
- If the vehicle is pointing downhill, turn the front wheels so that they point toward the curb.

**Releasing the parking brake**

1. Press firmly on the brake pedal.
2. Pull the lever up slightly, press the button at the end of the lever and lower the lever completely.

 **WARNING**

Pull up the parking brake lever up firmly to its full extent.

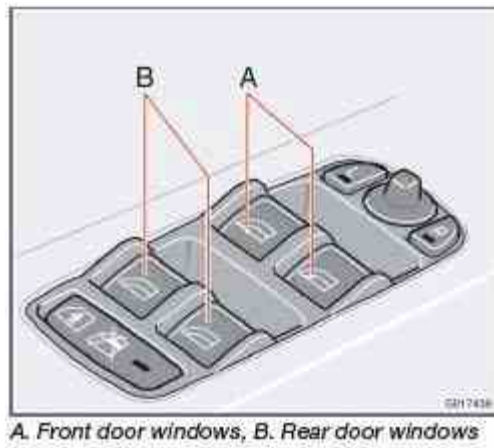
**Ashtrays/cigarette lighter**

The auxiliary sockets can also be used for cigarette lighters. Ashtrays and lighters are available as accessories. Please contact your Volvo retailer.



**Power windows**

**Operation**



The power windows are controlled by buttons in the arm rests.

- The ignition must be ON (ignition key in position I, II or the engine running) for the power windows to function.
- The power windows will also function after the ignition has been switched off as long as neither of the front doors has been opened

### Opening a window

Lightly press down the front edge of any of the buttons (A or B) to the first detent ("stop") to open a window to the position of your choice.



### WARNING

- Always remove the ignition key when the vehicle is unattended.
- Never leave children unattended in the vehicle.
- Make sure that the windows are completely unobstructed before they are operated.

- Press the front part of any of the buttons (A or B) as far down as possible and release it to automatically open the window completely.
- To stop the window at any time, pull the button up.



### NOTE

To reduce buffeting wind noise if the rear windows are opened, also open the front windows slightly.

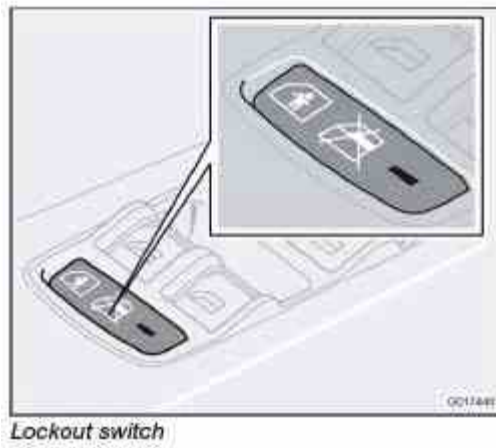
### Closing a window

- Lightly pull up the front edge of any of the buttons (A or B) to the first detent ("stop") to close a window to the position of your choice.
- Pull the front part of any of the buttons (A or B) up as far as possible and release it to automatically close the window completely. To stop the window at any time, press the button down.



## Power windows

### Lockout switch for rear windows

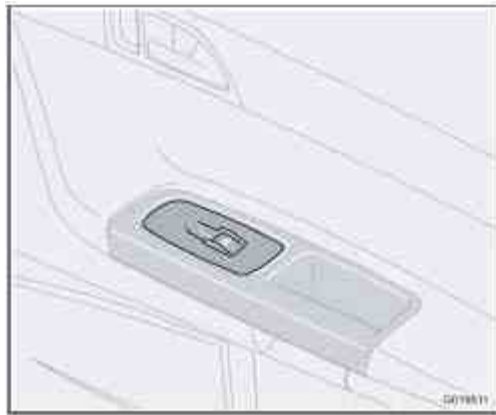


The electrically operated rear door windows can be disabled by a switch located on the driver's door (see illustration).

**If the light in the switch is OFF:** The rear door windows can be raised or lowered with the buttons on the rear door armrests or with the buttons on the driver's door armrest.

**If the light in the switch is ON:** The rear door windows can only be raised or lowered with the buttons on the driver's door.

### **Power window control - front passenger's side**



The control for the power window in the front passenger's door operates that window only.

### **Power windows in the rear doors**



The rear door windows can be operated with the control on each door and with the switch on the driver's door.

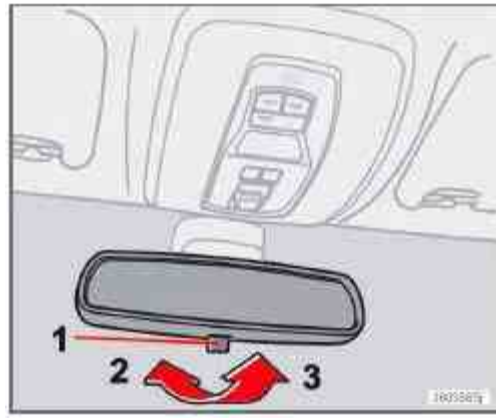
---





## Mirrors

### Rearview mirror



#### Night position

To reduce glare from the headlights of following vehicles, use control (1) to switch between the normal and night-driving positions.

2. Normal position

3. Night position, reduces glare from following traffic

#### Auto-dim function (option)

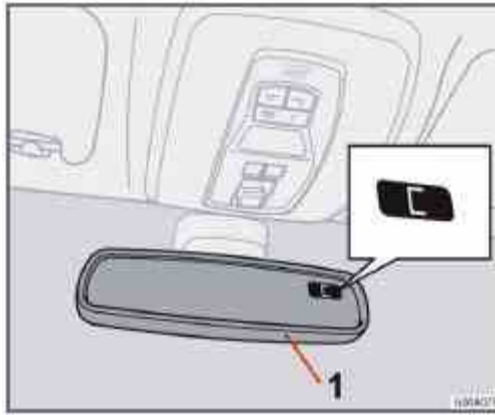
An optional integrated sensor reacts to headlights from following traffic and automatically reduces glare.

### Rearview mirror with compass (option)



The upper right-hand corner of the rearview mirror has an integrated display that shows the compass direction toward which the car is pointing. Eight different directions can be displayed: N, NE, E, SE, S, SW, W and NW. The display shows your car's orientation with respect to true north.

#### Calibrating the compass

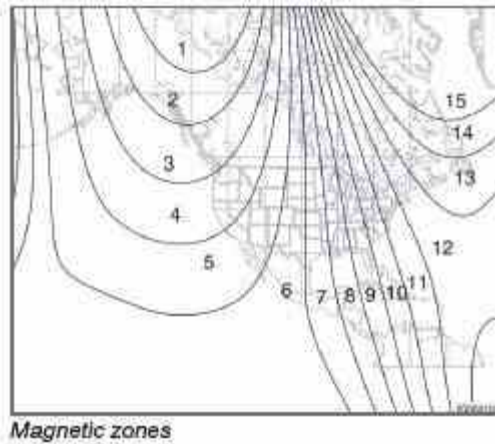


The earth is divided into 15 magnetic zones. The compass is initially set for the zone to which the car was delivered, and should always be adjusted if the car is driven to a new magnetic zone. A "C" will be displayed if calibration becomes necessary.

**To calibrate the compass:**

1. Stop the car in a large, open area, away from traffic.
2. Using a pen or similar object, hold the button (1) depressed for at least 6 seconds. "C" will be displayed.

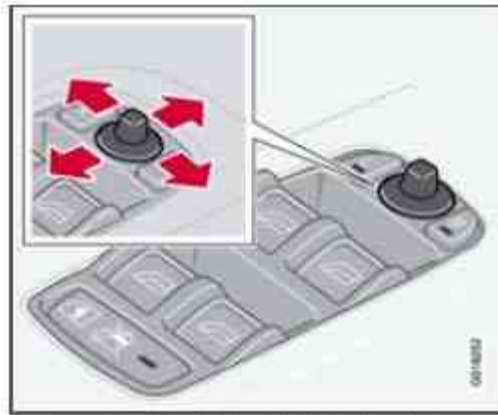
**Mirrors**



3. Press button (1) for at least 3 seconds to display the number of the current magnetic zone.
4. Press button (1) repeatedly until the number for the required geographical area (1-15) is displayed. "C" will be displayed again.
5. Drive slowly in a circle at a maximum speed of 6 m.p.h. (10 km/h) until a compass direction is displayed.

Calibration is complete.

**Power door mirrors**



The mirror control switches are located on the driver's door armrest.

## To adjust the mirrors:

### Driver's door mirror:

Press the L button (a light in the switch will go on) to activate the adjustment control. Use this control to adjust the driver's door mirror.

### Passenger's door mirror:

Press the R switch (a light in the switch will go on) to activate the adjustment control. Use this control to adjust the passenger's door mirror.

After you have adjusted the mirror(s), press the L or R switch again (the LED will go out) to deactivate the adjustment control.

### Blind Spot Information System (BLIS) - option

The Blind Spot Information System (BLIS) is an information system that indicates the presence of another vehicle in the side-view mirror's "blind area." See [page 158](#) for detailed information.



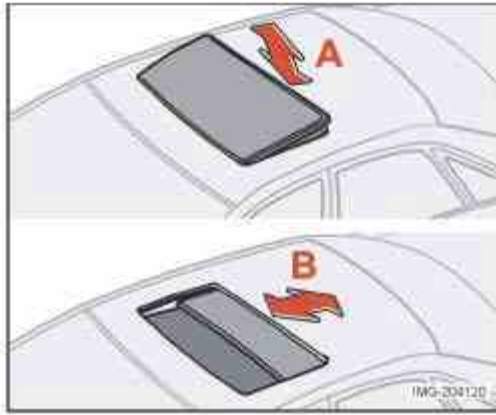
## WARNING

The mirrors should always be adjusted prior to driving. Objects seen in the passenger's side wide-angle door mirror are closer than they appear to be.



## Power moonroof (option)

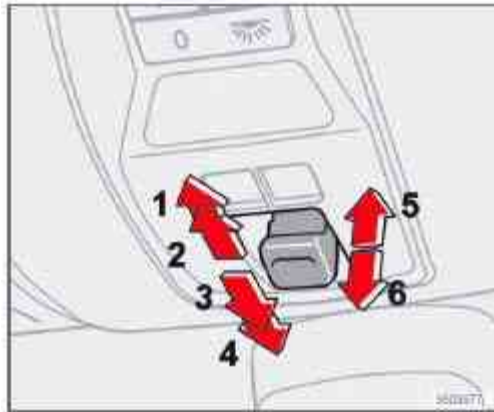
### Operating the moonroof



To operate the moonroof, the ignition key must first be turned to the intermediate or drive position (position I, II or the engine running). The moonroof can be opened in two ways:

A. Tilt position

B. Sliding moonroof



*Moonroof control in the ceiling console*

1. Auto open

2. Manual open

3. Manual close

4. Auto close

5. Tilt open

6. Tilt close

### **Tilt position**

Open: Press the rear edge of the control upward to position 5.

Close: Pull the rear edge of the control down to position 6.

### **Sliding moonroof**

*Auto open/close*

Open: Pull the switch as far back as possible (to position 1) and release it to automatically slide open the moonroof.

Close: Push the switch as far forward as possible (to position 4) and release it to automatically close the moonroof.

Manual open/close

Open: Pull the switch back to the first stop (position 2) and hold it until the moonroof has opened to the position of your choice.

Close: Push the switch forward to the first stop (position 3) and hold it until the moonroof has closed to the position of your choice, or has closed completely.

### WARNING

- If the moonroof is obstructed during auto-close operation, it will automatically reverse direction and return to its starting position.
- During manual closing, if the moonroof is obstructed, immediately open it again.



## Power moonroof (option)

### NOTE

If the moonroof is repeatedly obstructed during auto-close operation, an overload circuit breaker will temporarily halt moonroof function. The moonroof will return to normal function after a brief cool-down period.

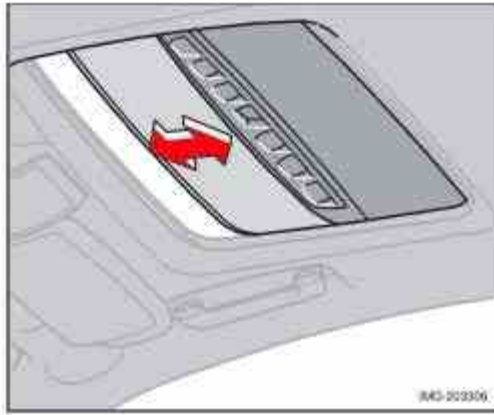
### WARNING

- Never open or close the moonroof if it is obstructed in any way.
- Never allow a child to operate the moonroof.
- Never extend any object or body part through the open moonroof, even if the vehicle's ignition is completely switched off.
- Never leave a child alone in a vehicle.

### CAUTION

- Remove ice and snow before opening the moonroof.
- Do not operate the moonroof if it is frozen closed.
- Never place heavy objects on the moonroof.

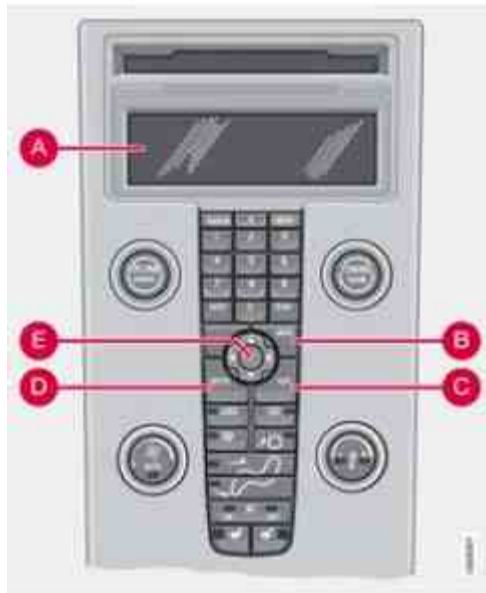
## Visor



The optional moonroof features a sliding visor. The visor slides open automatically when the moonroof is opened, and must be closed manually.



## Personal settings



### Control panel

- A. Display
- B. Menu button
- C. Exit button
- D. Enter button
- E. Menu navigation controls

Personal settings can be made for some of the car's functions, such as the central locking system, climate control, and the audio system. Please refer to the audio information beginning on [page 230](#) for more information on the audio functions that can be adjusted. The settings are presented in the display (A).

### To access the menu and adjust settings:

1. Press MENU (B).
2. Scroll to "Car Settings" using the menu navigation control (E).
3. Press ENTER (D).
4. Select an alternative using the menu navigation control (E).
5. Confirm your selection by pressing ENTER.

### To exit the menu:

Press EXIT (C).

## Available settings

### Clock adjust

To set the time:

1. Use the number keys or the up/down arrow keys on the navigation control (E) to change the hour or minute.
2. Select hour(s) or minute(s) to be changed with the left/right arrow keys.
3. Press ENTER to start the clock.

#### NOTE

If you are currently using the 12-hour time setting, use the up/down arrow keys to select **AM/PM** after the minute-setting has been adjusted.

### Lock confirmation light

When the car is locked/unlocked with the remote control, the direction indicators can be selected to flash to confirm the action. The alternatives On/Off are available for both locking and unlocking.



## Personal settings

### Autolock

When the car starts to move, the doors and trunk can be locked automatically. The alternatives On/Off are available.

#### NOTE

Pulling the handle twice on a door unlocks and opens that door.

### Unlock

There are two alternatives for unlocking:

1. Global (All doors) - unlocks all doors and the trunk with one press on the remote control.
2. Two Step (Two-stage unlocking) - This alternative unlocks the driver's door with one press on the remote control. A second press unlocks the passenger's door and the trunk.

## Operating side windows

The following alternatives can be selected for opening and/or closing all side windows at the same time by pressing and holding the Lock/Unlock switch in either of the front doors (see also [page 122](#) for additional information) <sup>1</sup>.

- Auto close all windows On/Off
- Auto open all windows On/Off

<sup>1</sup>This menu alternative also makes it possible to open all side windows by pressing and holding the Unlock button on the remote control for several seconds.

### NOTE

The ignition key must be in position I or higher (see [page 135](#)) before all side windows can be opened/closed using the switches in the front doors.

## Approach lighting

This alternative determines the length of time for which the car's lights will remain on when the Approach light button on the central locking system's remote control is pressed. Intervals of 30/60/90 seconds may be selected. See [page 113](#) for more information.

## Home safe lighting

This alternative determines the length of time for which the car's lights will remain on when the high beam lever on the steering column is pulled toward the wheel with the ignition switched off. Intervals of 30/60/90 seconds may be selected. See [page 62](#) for information on using this function.

## Information

- VIN number - The VIN (Vehicle Identification Number) is the car's unique identity number.
- Number of Keys - the number of keys registered for the car is displayed here.

## Climate functions

- Blower speed in AUTO mode - the blower speed can be set to AUTO mode in models equipped with ECC. Choose between "Low", "Normal" and "High".
- Timer for recirculation - when the timer is active, the air recirculates in the car for 3-12 minutes depending on the ambient temperature. Select On/Off depending on whether the recirculation timer is to be active or not.

## Keyless locking and unlocking (option as available)

The following alternatives can be selected for locking and unlocking the doors and trunk:

- All doors - all doors are locked or unlocked at the same time.
- Doors on the same side - front and rear doors on the same side are unlocked together.
- Both front doors - both front doors are unlocked together.
- One front door - either of the front doors can be unlocked separately<sup>2</sup>.

<sup>2</sup>Factory default



## Personal settings

### Reset to factory settings

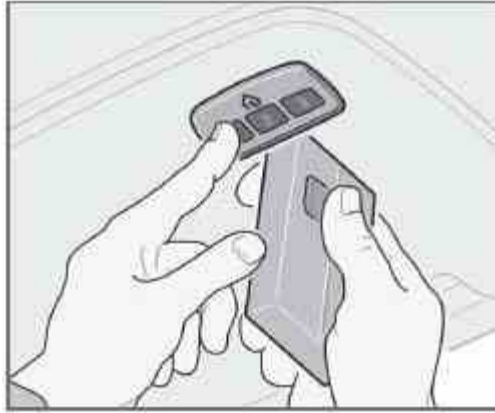
Use this alternative to return to the default climate system settings.





## HomeLink® Universal Transceiver (option)

### Introduction



HomeLink<sup>1</sup> is a system that can be programmed to learn the codes of three different remote controlled-devices (for example, a garage door opener, remote lighting, entry gate). HomeLink's sun visor-mounted transceiver, powered by your car's electrical system, may then be used in place of your handheld remote controls. The HomeLink transceiver consists of three programmable buttons and an indicator light.

<sup>1</sup>HomeLink is a registered trademark Johnson Controls, Intl.

© JCI, All rights reserved

#### NOTE

- For your security, the HomeLink Universal Transceiver is designed to not function if you lock your car from the outside.
- Retain the original transmitter(s) for future programming procedures (for example, if you purchase a new vehicle).
- For your own security, erase all programmed buttons on the HomeLink Universal Transceiver when you sell your vehicle.
- Metallic sun protection films should not be used on any windows in a vehicle equipped with HomeLink Universal Transceiver. This could interfere with the transceivers function.

### Operating the HomeLink Universal Transceiver

Once programmed, the HomeLink Universal Transceiver can be used in place of your handheld transmitters.

#### NOTE

The HomeLink universal transceiver will function for 30 minutes after the driver's door has been opened without switching on the vehicle's ignition.

Press the programmed HomeLink button to activate the garage door, driveway gate, security lightning, home security system etc. Your original hand-held transmitters may, of course, be used at any time.

#### WARNING

- If you use HomeLink to open a garage door or gate, be sure no one is near the gate or door while it is in motion.

- Do not use the HomeLink Universal Transceiver with any garage door opener that lacks safety "stop" and "reverse" features as required by federal safety standards. (This includes any garage door opener model manufactured before April 1, 1982). A garage door opener that cannot "detect" an object, signalling the door to "stop" and "reverse" does not meet current federal safety standards. Using a garage door opener without these features increases the risk of serious injury or death. For more information on this matter, call toll-free 1-800-355-3515. (Internet: [www.HomeLink.com](http://www.HomeLink.com)).

### Programming the transceiver for the first time (U.S. residents)

1. For first time training, press and hold the two outer HomeLink buttons, releasing only when the HomeLink indicator light begins to flash after 20 seconds. (Do not perform this step when training the additional HomeLink buttons.)
2. Position the hand-held transmitter 1-3 inches away from the HomeLink surface



### HomeLink® Universal Transceiver (option)

(located on your sun visor), keeping the HomeLink indicator light in view.

3. Using both hands, simultaneously press and hold both the desired HomeLink button and hand held transmitter button. DO NOT release until the HomeLink indicator light flashes slowly and then rapidly. When the indicator light flashes rapidly, both buttons may be released. (The rapid flashing indicates successful training.)

#### NOTE

Some garage door openers may require you to replace step 3 with the "cycling" procedure noted in the "Programming the transceiver for the first time (Canadian residents)" section.

4. Press and hold the trained HomeLink button and observe the indicator light.
  - If the indicator light is solid/continuous, training is complete and your device should activate when the HomeLink button is pressed and released.
  - If the indicator light blinks rapidly for 2 seconds and then turns a solid/continuous light, proceed with the following training instructions for a rolling code device. A second person may make the following steps quicker and easier. Please use a ladder or other device. Do not stand on your vehicle to perform the next steps.
5. At the garage door opener receiver (motorhead unit) in the garage, locate the "learn" or "smart" button (usually near where the hanging antenna wire is attached to the unit). If there is difficulty locating the training button, reference the garage door opener's manual or contact us toll-free 1-800-355-3515 (Internet: [www.HomeLink.com](http://www.HomeLink.com)).
6. Press and release the "learn" or "smart" button (the name and color of the button may vary by manufacturer).

#### NOTE

Once the button is pressed, there are 30 seconds in which to initiate the next step.

7. Return to the vehicle and firmly press and hold the trained HomeLink button for two seconds and release. Repeat the "press/hold/release" sequence up to 3 times to complete the training process.

To train additional HomeLink buttons, begin with step two.

### Programming the transceiver for the first time (Canadian residents)

1. For first time training, press and hold the two outer HomeLink buttons releasing only when the HomeLink indicator light begins to flash after 20 seconds. (Do not perform this step when training the additional HomeLink buttons.)
2. Position the hand-held transmitter 1-3 inches (2.5-7.5 cm) away from the HomeLink surface (located on your) keeping the HomeLink indicator light in view.
3. Using both hands, simultaneously press and hold both the desired HomeLink button and hand held transmitter button. During programming, your handheld transmitter may automatically stop transmitting. Continue to press and hold the desired HomeLink button while you press and re-press ("cycle") your handheld transmitter every two seconds until the frequency signal has been learned. The indicator light will flash slowly and then rapidly after several seconds upon successful training. DO NOT release until the HomeLink indicator light flashes slowly and then rapidly. When the indicator light flashes rapidly, both buttons may be released. (The rapid flashing indicates successful training.)



## HomeLink® Universal Transceiver (option)

4. Press and hold the trained HomeLink button and observe the indicator light.
  - If the indicator light is solid/continuous, training is complete and your device should activate when the HomeLink button is pressed and released.
  - If the indicator light blinks rapidly for 2 seconds and then turns a solid/continuous light, proceed with the following training instructions for a rolling code device. A second person may make the following steps quicker and easier. Please use a ladder or other device. Do not stand on your vehicle to perform the next steps.
5. At the garage door opener receiver (motorhead unit) in the garage, locate the "learn" or "smart" button (usually near where the hanging antenna wire is attached to the unit). If there is difficulty locating the training button reference the garage door opener's manual or contact us.
6. Press and release the "learn" or "smart" button (the name and color of the button may vary by manufacturer).

### NOTE

Once the button is pressed, there are 30 seconds in which to initiate the next step.

7. Return to the vehicle and firmly press and hold the trained HomeLink button for two seconds and release. Repeat the "press/hold/release" sequence up to 3 times to complete the training process.

### NOTE

During programming, your hand-held transmitter may automatically stop transmitting. Continue to press and hold the desired HomeLink button while you press and repress ("cycle") your hand-held transmitter every two seconds until the frequency signal has been learned. The indicator light will flash slowly and then rapidly after several seconds upon successful training. If necessary, follow steps 5-7 to complete the training for a rolling code device.

To train additional HomeLink buttons, begin with step two.

## Rolling Code Programming

Rolling code garage door openers that are "code-protected" and manufactured after 1996 may be determined by the following:

- Reference the garage door opener owner's manual for verification.
- The handheld transmitter appears to program the HomeLink Universal Transceiver but does not activate the garage

door.

- Press and hold the trained HomeLink button. The garage door opener has the rolling code feature if the indicator light flashes rapidly and then turns solid after 2 seconds.

To train a garage door with the rolling code feature, follow these instructions (the aid of a second person may make the training quicker and easier):

1. Locate the training button on the garage door opener motor head unit. Exact location and color of the button may vary by garage door opener brand. If there is difficulty locating the training button, reference the garage door opener owner's manual or please visit our Web site at [www.homelink.com](http://www.homelink.com).
2. Press the training button on the garage door opener motor head unit (which activates the "training light").

#### NOTE

Following step 2, there are 30 seconds in which to initiate step 3.

3. Firmly press and release the programmed HomeLink® button. Press and release the HomeLink button a second time to complete the training process. (Some garage door openers may require



## HomeLink® Universal Transceiver (option)

you to do this procedure a third time to complete the training.)

The garage door opener should now recognize the HomeLink Wireless Control System. The remaining two buttons may now be trained if this has not previously been done. Refer to the Programming portion of this text. The HomeLink Wireless Control System (once programmed) or the original handheld transmitter may be used to activate the garage door. In the event that there are still difficulties in programming the HomeLink Wireless Control System, please visit our Web site, [www.homelink.com](http://www.homelink.com).

### Reprogramming a Single HomeLink Button

To program a device to HomeLink using a HomeLink button previously trained, follow these steps:

1. Press and hold the desired HomeLink button. Do NOT release until step 4 has been completed.
2. When the indicator light begins to flash slowly (after 20 seconds), position the handheld transmitter 1 to 3 inches away from the HomeLink surface.
3. Press and hold the handheld transmitter button. The HomeLink indicator light will flash, first slowly and then rapidly.
4. When the indicator light begins to flash rapidly, release both buttons.

The previous device has now been erased and the new device can be activated by pushing the HomeLink button that has just been programmed. This procedure will not affect any other programmed HomeLink.

### Erasing Channels

Individual buttons cannot be erased. However, to erase all three programmed buttons: 1. Press and hold the two outside buttons until the indicator light begins to flash (after 20 seconds).

2. Release both buttons.

The HomeLink® Wireless Control System is now in the training (learning) mode and can be programmed at any time following steps 2 through 4 in the Programming section.

---



[Contents](#) | [Top of Page](#)

# 2008 VOLVO S40

84 03 Climate



General information	<a href="#">86</a>
Air vents	<a href="#">88</a>
Manual climate control	<a href="#">89</a>
Electronic Climate Control (ECC) - option	<a href="#">92</a>
Air distribution	<a href="#">95</a>

85 03 Climate



86 03 Climate



## General information

### Air conditioning - A/C

Your car is equipped with a climate control system that includes either manually adjustable air conditioning or optional Electronic Climate Control (ECC).

The air conditioning system can be switched off, but for optimal air quality in the passenger compartment and to prevent the windows from fogging, the air conditioning should be left on - even in cool weather.

#### NOTE

In warm weather, a small amount of water may accumulate under the car when it has been parked. This water is condensation from the A/C system and is normal.

### Ice and snow

Always keep the air intake grille at the base of the windshield free of snow.

### Fog on the inside of the windows

The defroster function should be used to remove fog or mist from the inside of the windows. Keeping the windows clean with a commercially available window washing spray will also help prevent fogging or misting.

## Climate control maintenance

Special tools and equipment are required to maintain and carry out repairs on the climate system. Work of this type should only be done by a trained and qualified Volvo service technician.

## Refrigerant

Volvo cares about the environment. The air conditioning system in your car contains a CFC-free refrigerant - R134a. This substance will not deplete the ozone layer. The system contains 1.2 lbs (530 g) R134a (HFC 134a), and uses PAG oil.

## Passenger compartment filter

Replace the cabin air filter with a new one at the recommended intervals. Please refer to your Warranty and Service Records Information booklet, or consult your Volvo retailer for these intervals. The filter should be replaced more often when driving under dirty and dusty conditions. The filter cannot be cleaned and therefore should always be replaced with a new one.

### NOTE

There are different types of cabin air filters. Ensure that the correct type is installed.

## Display

The display above the climate control panel shows the climate settings that have been made.

## Personal settings

There are two functions in the climate system that can be set to your preferences:

- Blower speed to Auto mode (models with ECC only).
- Timer controlled recirculation of the air in the passenger compartment.

For information about how to make these settings, see the Personal settings section on [page 77](#).



## General information

### Models equipped with ECC (option)

#### Sensors

- The sunlight sensor is on the upper side of the dashboard
- The passenger compartment temperature sensor is located behind the climate system control panel.
- The ambient temperature sensor is in the driver's side door mirror.
- The humidity sensor is in the rearview mirror.

These sensors should never be obstructed.

## NOTE

The sunlight sensor monitors the side of the vehicle from which the sun shines into the passenger compartment. This means that the temperature may differ slightly between the left and right air vents, even if the climate system temperature is set to be the same for both sides of the passenger compartment.

### **Side windows and optional moonroof**

The electronic climate control system will function best if the windows and moonroof are closed. If you drive with the windows or moonroof open, it may be preferable to manually adjust the temperature and blower control (the LED in the AUTO switch should be off).

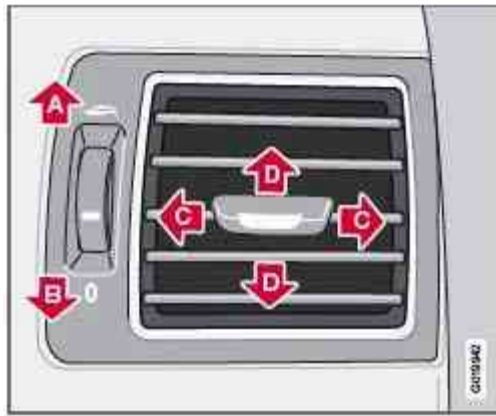
### **Acceleration**

The air conditioning system is temporarily switched off during full throttle acceleration.



## **Air vents**

### **Air vents in the dashboard**



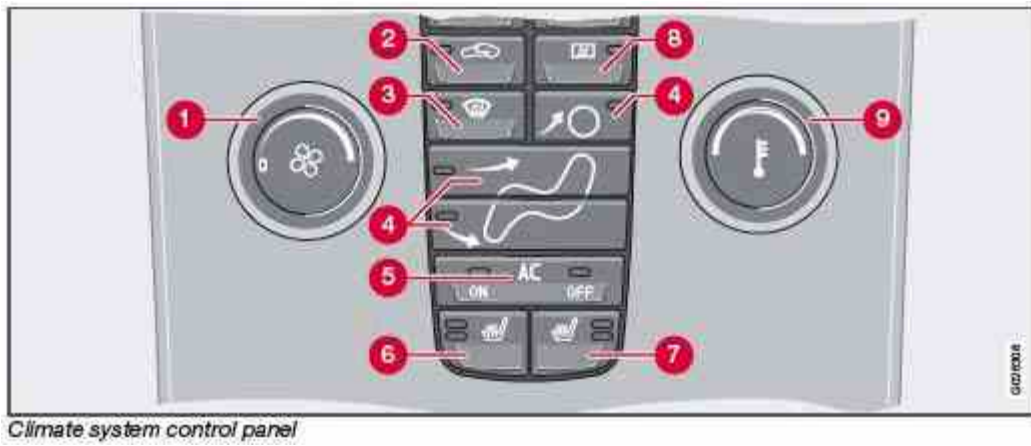
- A. Open
- B. Closed
- C. Horizontal air flow
- D. Vertical air flow

Direct the outer air vents toward the side windows to defrost.



## **Manual climate control**





1. Blower speed
2. Recirculation
3. Defroster
4. Airflow controls
5. A/C - ON/OFF
6. Heated driver's seat
7. Heated front passenger's seat
8. Rear window and door mirror defrosters
9. Temperature selector

### Manual climate system functions



#### 1. Blower

The blower speed can be increased or decreased by turning the knob. If the knob is turned counterclockwise and the indicator light in the display goes out, the blower and the air conditioning are switched off. The display shows the blower symbol and OFF.



#### 2. Recirculation

This function can be used to shut out exhaust fumes, smoke, etc from the passenger compartment. The air in the passenger compartment is then recirculated, i.e. no air from outside the car is taken into the car when this function is activated. Recirculation (together with the air conditioning system) cools the passenger compartment more quickly in very warm weather. If the air in the car recirculates for too long, there is a risk of condensation



forming on the insides of the windows, especially in winter.

### Timer

The timer function minimizes the risk of misting, or stale air when the recirculation function is selected. See [page 77](#) for information on setting the recirculation timer. Recirculation is always disengaged when you select Defroster (3).



### 3. Defroster

Directs airflow to the windshield and side windows and increases blower speed. When the defroster is activated:

- Air flows to the windows at high blower speed.
- The LED in the defroster button lights up when this function is activated. The air conditioning system is controlled to provide maximum air dehumidification.
- The air conditioning is automatically switched on (can be switched off by pressing button 5).
- The air is not recirculated.



### 4. Airflow controls

Press one of the three buttons in the illustration to activate the selected airflow. A symbol in the display above the climate control panel and a lit LED in the selected button indicate that the manual function has been selected. With manually selected airflow both warm and cool air can be selected. The desired temperature is selected using control 9.



### 5. A/C - On or Off

**ON:** The air conditioning system is engaged when the ON light is lit.

**OFF:** The system is disengaged when the OFF lights up.

If Defroster (3) is activated the air conditioning is always engaged.



### 6/7. Heated front seats (option)

**Maximum heating:** Press the button once - both LEDs light up.

**Reduced heating:** Press the button a second time - one LED lights up.

**Seat heating off:** Press the button a third time - no LEDs are lit.



### 8. Heated rear window and door mirrors

Press to defrost the rear window and door mirrors.

The rear window and door mirrors are defrosted simultaneously if the switch is pressed once. The defrost function is active if the LED in the switch is illuminated.

- The function can be switched off manually by pressing the button,
- The defrost function switches off automatically after 12-20 minutes, depending on the outside temperature.

## **i** NOTE

On certain markets, the defrost function may remain on longer than 20 minutes in cold weather to help keep the rear window free from ice or condensation.

91 03 Climate



## Manual climate control



### 9. Temperature selector

The knob with the thermometer symbol is used to select cooling or heating for both the driver's and passenger's sides of the car.

92 03 Climate



## Electronic Climate Control (ECC) - option



1. Auto - On/Off
2. Blower speed
3. Recirculation
4. Defroster
5. Airflow controls
6. A/C - ON/OFF
7. Heated driver's seat
8. Heated front passenger's seat
9. Rear window and door mirror defrosters

## 10. Temperature selector

### ECC functions



#### 1. Auto - On/Off

The AUTO function automatically regulates climate control to maintain the desired temperature. The automatic function controls heating, air conditioning, blower speed, recirculation, and air distribution.

If you select one or more manual functions, the remaining functions continue to be controlled automatically. All manual settings are switched off when AUTO is switched on. AUTO CLIMATE is shown in the display.



#### 2. Blower speed

The blower speed can be increased or decreased by turning the knob. The blower speed is regulated



## Electronic Climate Control (ECC) - option

automatically if AUTO is selected. The previously set blower speed is disconnected.

### NOTE

If the knob is turned counterclockwise and the blower indication in the display goes out, the blower and the air conditioning are switched off. The display shows the blower symbol and OFF.



#### 3. Recirculation

This function can be used to shut out exhaust fumes, smoke, etc from the passenger compartment. The air in the passenger compartment is then recirculated, i.e. no air from outside the car is taken into the car when this function is activated.

If the air in the car recirculates for too long, there is a risk of condensation forming on the insides of the windows, especially in winter.

### Timer

The timer function minimizes the risk of fogging, or stale air when the recirculation function is selected. See [page 77](#) for information on setting the recirculation timer.

### NOTE

Recirculation is always disengaged if the defroster button is engaged to clear ice or condensation from the side windows.



#### 4. Defroster

Directs airflow to the windshield and side windows and increases blower speed. When the defroster is activated:

- Air flows to the windows at high blower speed.
- The LED in the defroster button lights up when this function is activated. The air conditioning system is controlled to provide maximum air dehumidification.
- The air conditioning is automatically switched on (can be switched off by pressing button 6).
- The air is not recirculated.



#### 5. Airflow controls

Press one of the three buttons in the illustration to activate the selected airflow. A symbol in the display above the climate control panel and a lit LED in the selected button indicate that the manual function has been selected. With manually selected airflow both warm and cool air can be selected. See also the table on [page 95](#).



#### 6. Air conditioning On/Off

**ON:** The air conditioning system is engaged when the ON light is lit and is controlled automatically by the system to maintain the selected temperature.

**OFF:** The system is disengaged when the OFF lights up.

When OFF is selected and the OFF LED is lit, the air conditioning system is deactivated. Other functions are still controlled automatically.

When Defroster (4) is selected, the air conditioning system is activated for maximum dehumidifying.



### Electronic Climate Control (ECC) - option



#### 7 and 8. Heated front seats (option)

**Maximum heating:** Press the button once - both LEDs light up.

**Reduced heating:** Press the button a second time -one LED lights up.

**Seat heating off:** Press the button a third time - no LEDs are lit.



#### 9. Rear window and door mirror defrosters

Press to defrost the rear window and door mirrors.

The rear window and door mirrors are defrosted simultaneously if the switch is pressed once. The defrost function is active if the LED in the switch is illuminated.

- The function can be switched off manually by pressing the button.

- The defrost function switches off automatically after 12-20 minutes, depending on the outside temperature.

**i NOTE**

On certain markets, the defrost function may remain on longer than 20 minutes in cold weather to help keep the rear window free from ice or condensation.



**10. Temperature selector**

The temperatures on the driver's and passenger's sides can be set separately using the knob (with the thermometer in it). The temperature can be set for both sides of the car when the ignition is switched on (both LEDs will be on), which means that a temperature setting will apply to both sides of the car.

To set the temperature on one side of the car:

1. Press the knob once. The LED for one side of the car will light up. Turn the knob to adjust the temperature.
2. Press the knob a second time to set the temperature on the opposite side of the car.
3. Press the knob a third time to set the temperature on both sides of the car at the same time.

**i NOTE**

Selecting a temperature that is higher or lower than necessary will not heat or cool the passenger compartment faster.



**Air distribution**

	<b>Air distribution</b>	<b>Use:</b>		<b>Air distribution</b>	<b>Use:</b>
	Defroster. Air is not recirculated in this mode. Air conditioning is always engaged. There is also a certain amount of airflow to the panel air vents.	Defrost/de-fog the windshield and front side windows.		Air to the floor and windows. There is also a certain amount of airflow to the dashboard air vents.	For comfortable conditions and good defrosting in cold weather. Medium to high blower speed.
	Air to windshield and front side windows. There is also a certain amount of airflow to the dashboard air vents.	Prevents fogging in cold or humid weather (blower speed should be moderate to high).		Air to the floor and from the dashboard air vents.	For sunny weather with cool ambient temperatures.
	Air to the windows and from the dashboard air vents.	For good comfort in warm, dry weather.		Air to the floor. There is a certain amount of airflow to the dashboard and window air vents.	To warm the feet.
	Airflow directed to the head and chest from the dashboard air vents.	To ensure efficient cooling in a warm weather.		Airflow to the windows, dashboard air vents, and floor.	For cooler air toward the feet, or for warmer air toward the head and chest.



[Contents](#) | [Top of Page](#)

# 2008 VOLVO S40

96 04 Interior



Front seats	<a href="#">98</a>
Interior lighting	<a href="#">101</a>
Storage compartments	<a href="#">103</a>
Rear seat	<a href="#">107</a>
Trunk	<a href="#">109</a>

97 04 Interior



98 04 Interior



## Front seats

### Manual seat adjustment

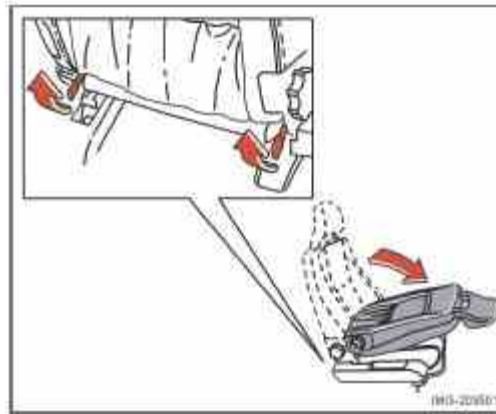


The driver's and passenger's seats can be adjusted in a number of ways to provide a comfortable driving and sitting position.

1. Forward-rearward: Pull the lever up and slide the seat to the position of your choice.



2. Use this control to raise or lower the front edge of the seat cushion.
3. Use this control to raise or lower the rear edge of the seat cushion.
4. Turn this knob (option on some passenger's seats) to adjust the firmness of the lumbar support<sup>1</sup>.



5. Turn this knob to adjust the backrest tilt.
6. Control panel for the optional power seat.

### **WARNING**

- Do not adjust the seat while driving.
- Adjust the driver's seat and seat belt (see [page 14](#)) before driving. The seat should be adjusted so that the brake pedal can be depressed fully.
- Position the seat as far rearward as comfort and control allow.

<sup>1</sup>Also applies to the optional power seat.

### **Folding down the front seat backrests**

The front passenger's seat backrest can be folded down to provide room for long loads.

To fold down the backrest:

1. Move the seat as far back as possible.
2. Adjust the backrest to the upright position.
3. Lift the catches on the rear of the backrest as shown in the illustration.
4. Without releasing the catches, push the backrest forward.
5. Move the seat as far forward as possible so that the head restraint slides under the glove compartment.

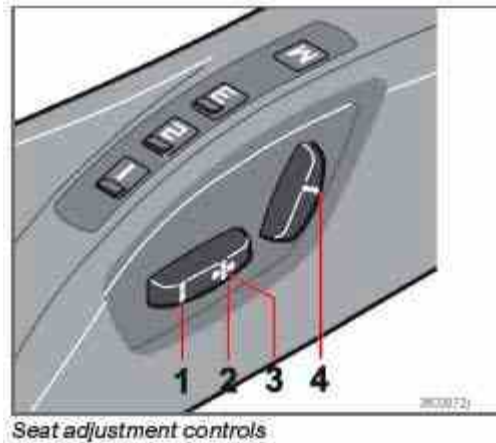
### **WARNING**

Cover sharp edges on the load to help prevent injury to occupants. Secure the load to help prevent shifting during sudden stops.



## Front seats

### Power seats (option)



The power driver's seat can be adjusted:

- If the ignition key is in position I or II.
- During a 10 minute period after the doors have been unlocked if the door remains open.
- If the door is closed and the ignition key is not yet in the ignition, or if the key is in position 0, the seat can be adjusted or during a period of 40 seconds. The power passenger's seat can only be adjusted if the ignition key is in position I or II, or if the engine is running.

### Adjusting the seat

Seat adjustment controls 1, 2, 3, and 4 on the side of the seat can be used to move the seat to the position of your choice.

1. Move this section of the control up or down to raise/lower the front section of the seat cushion.
2. Move the control forward/rearward to move the seat forward or rearward.
3. Move this section of the control up or down to raise/lower the rear section of the seat cushion.
4. Backrest tilt.

#### NOTE

The power seats have an overload protector that activates if a seat is blocked by any object. If this occurs, switch off the ignition (key in position 0) and wait for approximately 20 seconds before operating the seat again.

### Emergency stop

If the seat inadvertently begins to move, press any of the buttons to stop the seat.

### Programming the seat memory, driver's seat only (option)



Power seat memory buttons

Three different seating positions can be stored in the seat's memory. The memory buttons are located on the outboard side of the driver's seat (see the illustration). The following example explains how memory button 1 can be programmed. Buttons 2 and 3 can be programmed in the same way.

To program (store) a seat position in memory button 1:

1. Adjust the seat to the desired position (see the instructions under "Adjusting the seat").



## Front seats

2. Press and hold down the "M" (Memory) button.
3. With the "M" button depressed, press memory button 1 to store the seat's current position.

To move the seat to the position that it was in when memory button 1 was programmed, press and hold down button 1 until the seat stops moving.

As a safety precaution, the seat will stop automatically if the button is released before the seat has reached the preset position.

### Central locking system remote control and driver's seat memory

The remote control transmitter can also be equipped with an optional function that controls the electrically operated driver's seat in the following way:

1. Adjust the seat to the desired position.
2. When you leave the car, lock it using the remote control.
3. The next time the driver's door is unlocked with the same remote control and that door is opened within 2 minutes, the driver's seat and side door mirrors will automatically move to the position that they were in when the doors were most recently locked with the same remote control.

#### NOTE

The memory function in the remote control operates independently of the memory function in the seat.

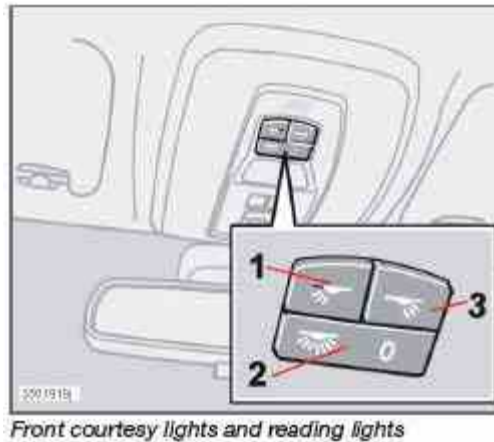
#### WARNING

- Because the driver's seat can be adjusted with the ignition off, children should never be left unattended in the car.
- Movement of the seat can be STOPPED at any time by pressing any button on the power seat control panel.
- Do not adjust the seat while driving. The seat should be adjusted so that the brake pedal can be depressed fully. In addition, position the seat as far rearward as comfort and control allow.
- The seat rails on the floor must not be obstructed in any way when the seat is in motion.



## Interior lighting

### Interior lighting



1. Front driver's side reading light, on/off
2. Courtesy lighting
3. Front passenger's side reading light, on/off

The front and rear reading lights can be activated when the ignition key is position **I** or **II**, or when the engine is running. The front reading lights are switched on and off by pressing buttons 1 or 3.

The courtesy lighting (2) can be set to three positions:

- Press the left side of the button: the interior courtesy lighting turns on.
- Neutral position: the interior courtesy lighting comes on when a door is opened, and is switched off 10 seconds after the door is closed.
- Press the right side of the button: the interior courtesy lighting stays off.

### Courtesy lighting - automatic function

The interior lighting has a built-in automatic function that switches on the courtesy lighting for 30 seconds when:

- the car is unlocked from the outside using the key or remote control
- the engine is switched off and the ignition key is turned to the 0 position.

The courtesy lighting lights up or remains on for 5 minutes when:

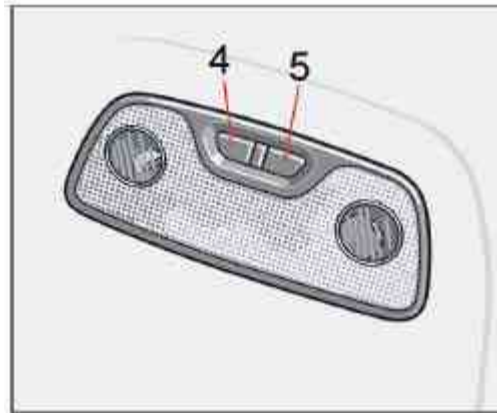
- one of the doors is opened and left open.
- the courtesy lighting has not been switched off (the right side of button 2 depressed).

The automatic lighting goes out when:

- the engine is started
- the car is locked from the outside using the key or remote control.

If the courtesy lighting is not switched off manually, it will be turned off automatically 5 minutes after the engine has been switched off.

### Rear reading lights



Rear reading lights (in ceiling)

4. Rear driver's side reading light, on/off

5. Rear passenger's side reading light, on/off

The rear reading lights can be switched on or off by pressing the respective buttons, and function if the ignition key is in positions **I**, **II**, or if the engine is running.

The courtesy lighting can be switched on or off within 30 minutes after the engine has been switched off, or after a door has been opened or closed.

These lights switch off automatically 5 minutes after the engine has been switched off.



## Interior lighting

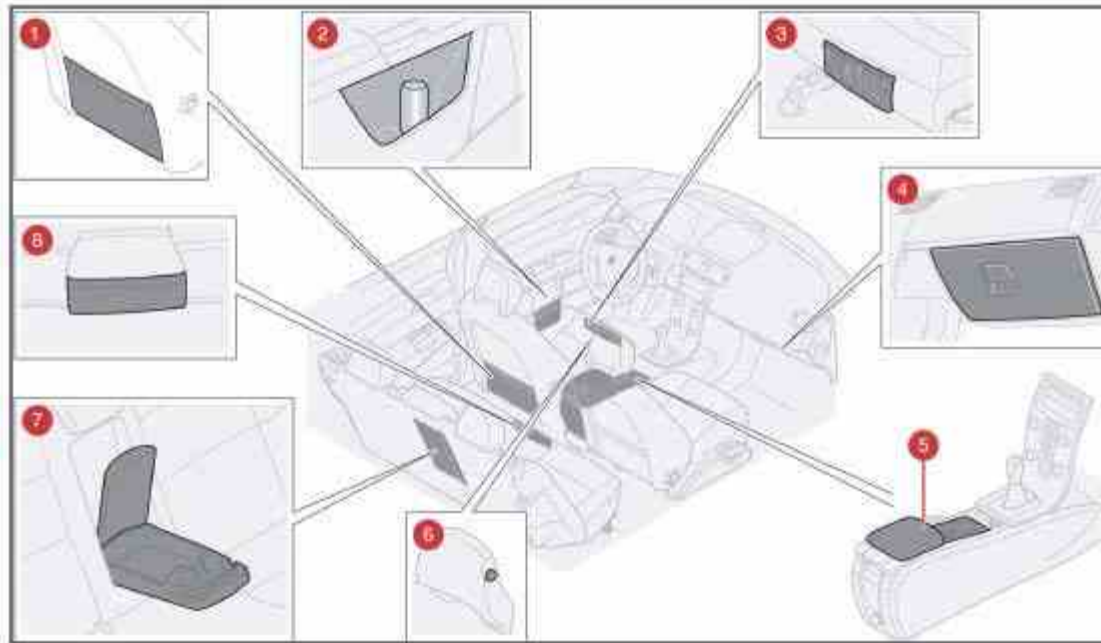
### Vanity mirror



Raise the cover to switch on the light.



## Storage compartments



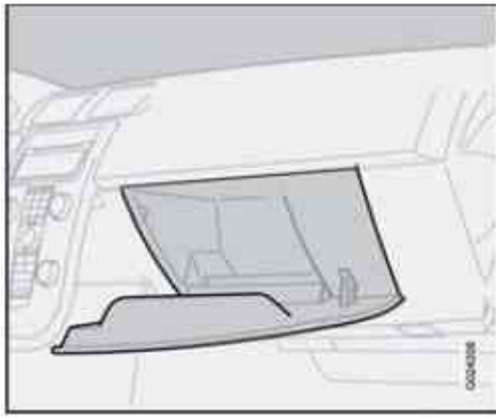
## Storage compartments

1. Storage pocket (on the rear side of the front seats)
2. Compartment in door panel (with a holder for an ice scraper)
3. Storage pocket (on the front side of the front seat cushion)
4. Glove compartment
5. Storage compartment for e.g., CDs and cup holders
6. Jacket hanger (intended for light garments only)
7. Rear seat storage compartment and cup holders
8. Storage pocket (on the front side of the rear, center seat cushion)

### **WARNING**

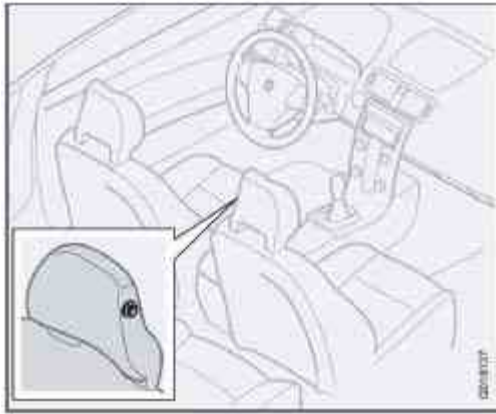
- Anchor any heavy objects to prevent them from moving during sudden stops.
- Packages on the rear parcel shelf can obscure vision and may become dangerous projectiles in the event of a sudden stop or an accident.

## Glove compartment



The owners manual and maps can be stored here. There are also holders for coins, pens and fuel cards. The glove compartment can only be locked and unlocked using the detachable key blade from the central locking system's remote control. See [page 115](#) for information on removing the key blade from the remote control, and [page 123](#) for information on locking the glove compartment.

## Jacket hanger

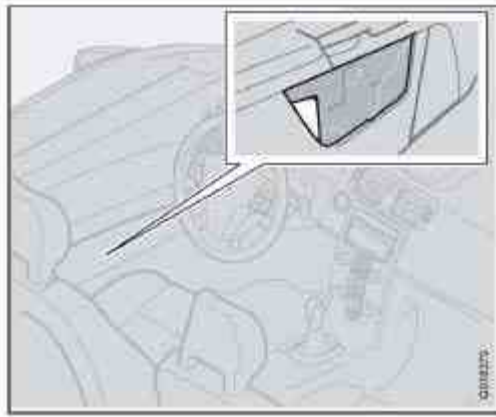


The jacket hanger is located on the inboard side of the front passenger's seat head restraint. It is only intended for hanging light garments.



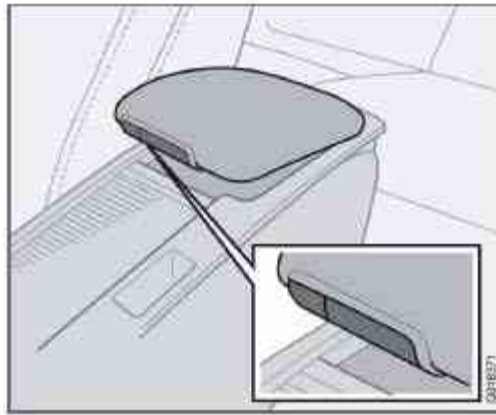
## Storage compartments

### Holder for an ice scraper



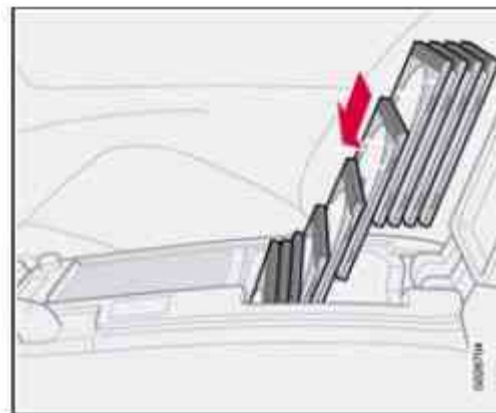
The rear section of the storage compartment in the front door panel includes an integrated holder for an ice scraper. Slide the ice scraper into the holder. The scraper should be rectangular plastic, not more than 0.1 in. (3 mm) thick. The compartment also has space for a soft drink can or bottle.

### Storage under the front, center armrest



There are two storage compartments under the front, center armrest.

- Press the smaller button on the front edge of the armrest and lift the armrest cover to access a shallow storage compartment.
- Press the larger button and lift the entire armrest to access a deeper compartment.



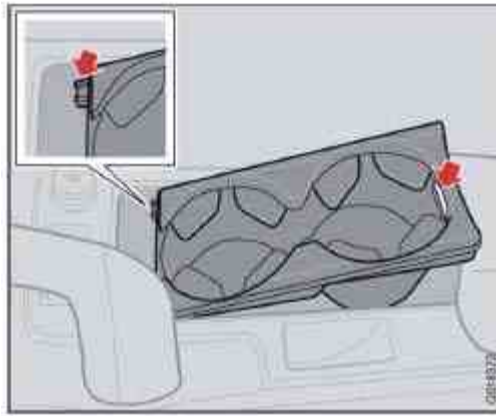
The deep storage compartment has room for 10 CD jewel cases. These cases must be inserted with their spines upward in order to allow space for 10 cases in the storage compartment.





## Storage compartments

### Cup holders in the center console



Two cup holders are located under the sliding cover in the center console.

The cup holders can be lifted out if necessary. To do so, grasp the indentation on the rear edge of the cup holder and lift.

To put the cup holder back in place:

1. Slide the two locating tabs in the front side of the cup holder into the two corresponding recesses in the center console storage space.
2. Press down the rear edge of the cup holder.

To close the sliding cover, grasp the underside of the front edge and pull.

### Storage compartment behind the gear lever

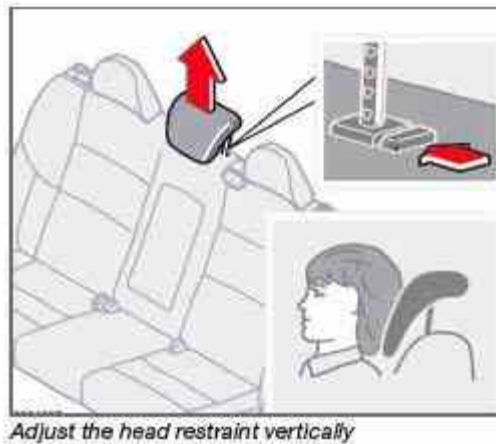


If the buttons for optional equipment are not installed, the recess behind the gear lever can be used as a storage compartment.



## Rear seat

### Rear seat head restraints



Each of the rear seat head restraints can be adjusted vertically to suit the height of the passenger. The upper edge of the head restraint should be on a level with the midpoint of the rear side of the passenger's head (see illustration).

#### **WARNING**

The center rear seat head restraint should only be in its lowest position when this seat is NOT occupied. When the center position is occupied, the head restraint should be correctly adjusted to the passenger's height.

- To raise: slide the head restraint up to the desired height.
- To lower: Press the catch at the base of the right support and press the head restraint down.
- To remove: Pull the head restraint up far as possible. Press the catch at the base of the right support and pull the head restraint out of the its holders.

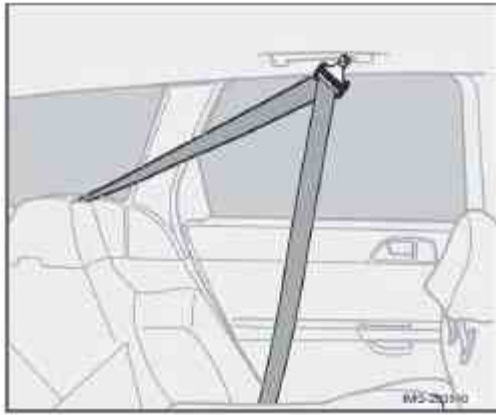
#### **NOTE**

When the seat backs are folded down, the head restraints may be damaged if they are not removed. The center head restraint must also be removed when transporting heavy loads.

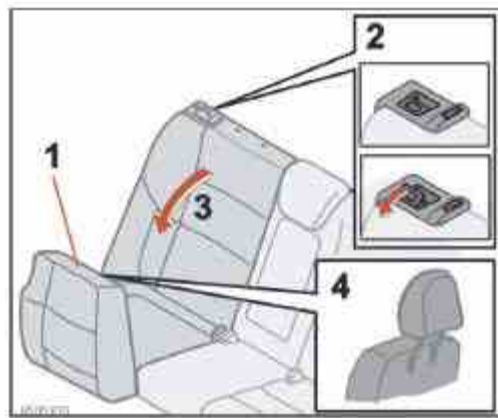


## Rear seat

### Folding down the rear seat backrests



Both sections of the rear seat backrest can be folded down, together or separately, to enable you to transport long objects. Before folding down the rear seat backrests, the outboard seat belts can be attached to the clothes hook as shown in the illustration.



To fold down one or both sections:

1. Grasp the rear edge of the seat cushion and pull it forward.
2. Pull the catch on the upper outboard edge of the backrest upward and forward to release the backrest lock. A red lock indicator is visible when the backrest is **not** locked in the upright position.
3. Fold the backrest down partially and remove the outer head restraints. Press the center head restraint down completely or remove it.
4. Place the head restraints in the plastic tubes, which are now accessible on the under side of the seat cushions.

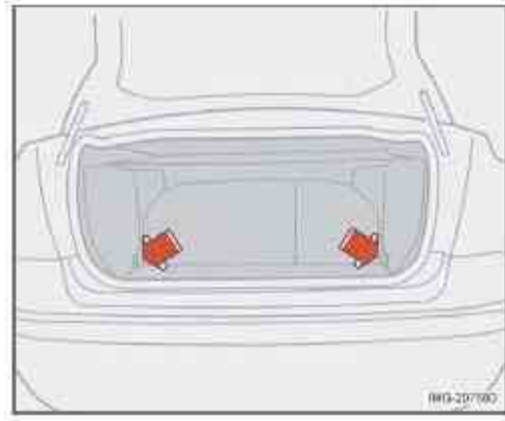
**WARNING**

- The red lock indicator is **VISIBLE** when the backrest is **NOT** locked in position and hidden when the backrest is correctly locked in place. When the backrest is in the upright position, it must always be correctly locked in place.
- When the rear seat is folded down, do not place heavy objects against the backs of the front seats. This places a severe strain on the folded down backrest of the rear seat. Be sure to secure cargo.
- Cargo must not be stacked higher than the top of seat backs. This will reduce the possibility of luggage, etc. becoming projectiles during sudden maneuvers, rapid braking or an accident.



## Trunk

### Load anchoring eyelets



The eyelets in the trunk can be used to fasten accessory load and lashing straps, load nets, and other load anchors.

---



[Contents](#) | [Top of Page](#)

# 2008 VOLVO S40

## 110 05 Locks and alarm



Remote control and key blade	<a href="#">112</a>
Valet locking	<a href="#">116</a>
Keyless drive (option as available)	<a href="#">118</a>
Locking and unlocking	<a href="#">122</a>
Locking the glove compartment, Child safety locks	<a href="#">123</a>
Alarm	<a href="#">124</a>

## 111 05 Locks and alarm



## 112 05 Locks and alarm



### Remote control and key blade

#### Remote controls

Two remote controls that also function as ignition keys are provided with your car. The remote controls contain detachable metal key blades for manually locking or unlocking the driver's door and the glove compartment.

USA - FCC ID: LTQVO315TX

This device complies with part 15 of the FCC rules. Operation is subject to the following conditions: (1) This device may not cause harmful interference, and (2) this device must accept any interference received, including interference that may cause undesired operation.

Canada - IC: 3659AVO315TX

Operation is subject to the following conditions: (1) this device may not cause interference, and (2) this device must accept any interference, including interference that may cause undesired operation of the device.

#### Loss of a remote control

If either of the remote controls is lost, the other must be taken with the car to a Volvo retailer. As an anti-theft measure, the code of the lost remote control must be erased from the system.

Each key blade has a unique code, which is used if new key blades are required. A maximum of six remote controls/key blades can be programmed and used for one car.

### Immobilizer (start inhibitor)

Each of the keys supplied with your car contains a coded transponder. The code in the key is transmitted to an antenna in the ignition switch where it is compared to the code stored in the start inhibitor module. The car will start only with a properly coded key. If you misplace a key, take the other keys to an authorized Volvo retailer for reprogramming as an antitheft measure.

USA - FCC ID: LTQWFS 125VO

This device complies with part 15 of the FCC rules. Operation is subject to the following condition: (1) This device may not cause harmful interference, and (2) this device must accept any interference received, including interference that may cause undesired operation.

Canada - IC: 3659A-WFS125VO

Operation is subject to the following conditions: (1) this device may not cause interference, and (2) this device must accept any interference, including interference that may cause undesired operation of the device.

### CAUTION

Never use force on the narrow section of the remote control - this is where the transponder is located. The car cannot be started if the transponder is damaged.

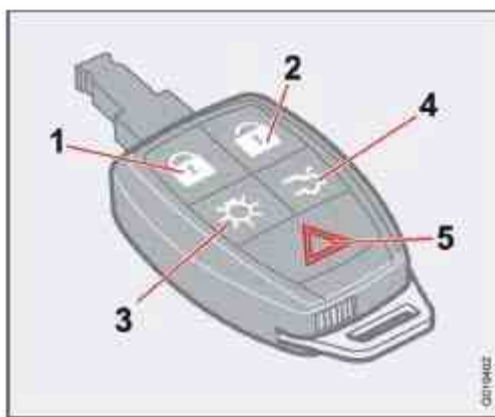
113 05 Locks and alarm



## Remote control and key blade

### Remote control functions

1. **Lock** - Press the Lock button on the remote once to lock all doors and the trunk. The turn signals will flash once to confirm locking.



### NOTE

The car can also be locked if a door is open (does not apply to vehicles with the optional keyless drive.)

2. **Unlock** - Press the Unlock button on the remote once to unlock the driver's door. The turn signals will flash twice to confirm unlocking.

After a short pause, press the Unlock button a second time within 10 seconds to unlock the other doors and the trunk. A long press (for several seconds) opens all side windows.

 NOTE

- The turn signals flash to confirm that the vehicle has been correctly locked/unlocked with the remote control or the optional keyless drive. When locking the vehicle, the turn signals will flash a confirmation only if all the doors are securely closed and locked. Flashing confirmation for locking and unlocking may be customized in the vehicle's Personal settings menu. See [page 77](#) for more information.
- The two-step unlocking function can be changed so that one press of the Unlock button unlocks all of the doors and the trunk. See Personal settings on [page 77](#) for more information.

- **Automatic relocking:** If the doors are unlocked, the locks will automatically reengage (re-lock) and the alarm will rearm after 2 minutes unless a door or the trunk has been opened.
- **Automatic locking:** When the car starts to move, the doors and trunk can be locked automatically. This feature can be turned on or off, see Personal settings on [page 77](#) for more information.
- Airbag deployment will automatically attempt to unlock the doors.

3. **Approach lighting** - As you approach the car:

Press the button on the remote control to illuminate the area around the car in dark conditions.

Pressing the button once lights up the interior lighting, parking lights, and license plate lighting. These lights will switch off automatically after 30, 60 or 90 seconds. See the Personal settings on [page 78](#) for information about adjusting the time setting.

4. **Unlock trunk**- Press the button once to disarm the alarm system and unlock only the trunk. After closing, the trunk will not automatically relock. Press Lock to relock it and rearm the alarm.

 NOTE

This function will unlock, but not pop open, the trunk.

5. **Panic alarm:** - This button can be used to attract attention during emergency situations.

To activate the panic alarm, press and hold the red button for at least 3 seconds or press it twice within 3 seconds. The turn signals and horn will be activated.

The panic alarm will stop automatically after 30 seconds.



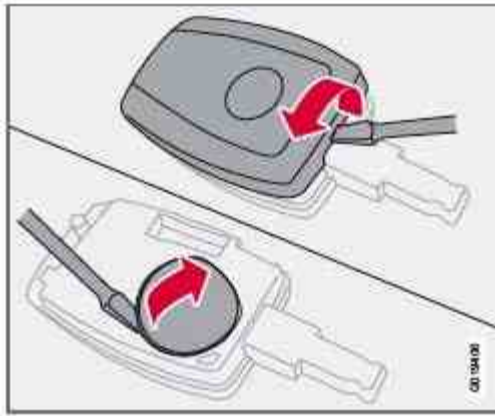
## Remote control and key blade

To deactivate, wait approximately 5 seconds and press the red button again.

 NOTE

This button will NOT unlock the car.

### Weak battery in the remote control



When the battery begins to lose its charge, the Information symbol in the instrument panel (see [page 51](#)) lights up and REMOTE BATTERY LOW VOLTAGE is shown in the information display.

### Replacing the battery in the remote control

If the range of the transmitter is noticeably reduced, this indicates that the battery (type CR 2450, 3V) is weak and should be replaced. To replace the battery:

1. Place the remote control with the keypad downward. Pry open the cover with a small slotted screwdriver.
2. Remove the cover.
3. Note how the + and - sides of the battery are positioned on the inside of the cover (see the underside of the cover).



#### CAUTION

When replacing the battery, avoid touching the electrical circuitry in the other half of the remote control.

4. Pry out and replace the battery. Avoid touching the battery and its contact surfaces with your fingers.
5. Press the cover back into place.

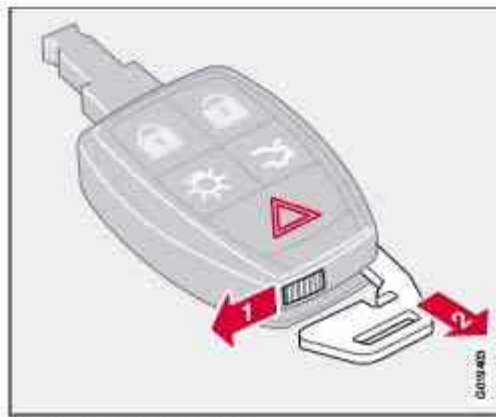
The old battery should be disposed of properly at a recycling center or at your Volvo retailer.



## Remote control and key blade

### Key blade





Removing the key blade

The key blade can be removed from the remote control. When removed, the key blade can be used as follows:

- To lock/unlock the driver's door
- To lock/unlock the glove compartment (see [page 123](#))
- For valet locking (see [page 116](#))

### Removing the key blade

Slide the spring loaded catch (1) to the side and pull the key blade (2) out of the remote control.

### Reinserting the key blade in the remote control

1. Hold the remote control with the pointed end down.
2. Carefully slide the key blade into its groove.
3. Gently press the key blade in the groove until it clicks into place.

### Unlocking the doors with the detached key blade

If for any reason the vehicle cannot be unlocked with the button on the remote control, the key blade can be used to unlock the driver's door.

1. Insert the key blade as far as possible in the driver's door lock.
2. Turn the key blade clockwise approximately one-quarter turn to unlock the driver's door only.

#### NOTE

After unlocking the driver's door with the key blade, opening the door will trigger the alarm.

To disable the alarm:

- **Models with the standard remote control:** Press the Unlock button on the remote control, or insert the key in the ignition switch.
- **Models with the optional keyless drive:** Press the Unlock button on the keyless drive remote control. If the batteries in the remote are weak, remove the keyless drive start control from the ignition switch by pressing the catch (see the illustration on [page 138](#)) and pulling the control out of the ignition switch. Insert the ignition key section of a keyless drive remote control in the ignition switch.

### Locking the doors with the detached key blade

1. Lock the rear doors and the front passenger's door by pressing the lock button on each door.
2. Turn the key blade one-quarter turn counterclockwise to lock the driver's door.

## NOTE

This does not arm the alarm or lock the trunk.



## Valet locking

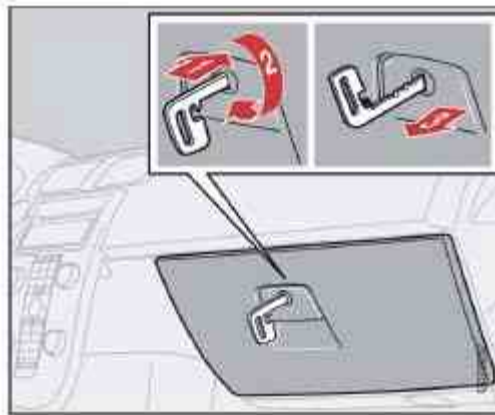
### Valet locking function

By utilizing the remote control with the key blade removed, the valet locking feature enables you to block access to the trunk and glove compartment for e.g., valet parking or when the car is brought to the retailer for service.

#### With the valet locking function activated:


- The vehicle's doors can be locked or unlocked
- The engine can be started
- The glove compartment and trunk cannot be unlocked


Access to the trunk is blocked (the trunk lid cannot be unlocked or opened, and the rear seat backrests are locked in the upright position)




#### Activating the valet locking function

Begin by removing the key blade from the remote control (see [page 115](#)).

 Insert the key in the glove compartment lock.

 Turn the key blade 180° clockwise to lock the glove compartment and disconnect the trunk from the central locking system (a message appears in the information display).

 Remove the key blade from the glove compartment lock.

## NOTE

The rear seat backrests must also be locked in the upright position.

To do so, insert the key blade into the locks located on the upper outboard edge of the backrests.

**Passenger's side:** Turn the key counterclockwise to lock the backrest.

**Driver's side:** Turn the key clockwise to lock the backrest.

Give the parking attendant or service personnel only the remote control (with the key blade removed).

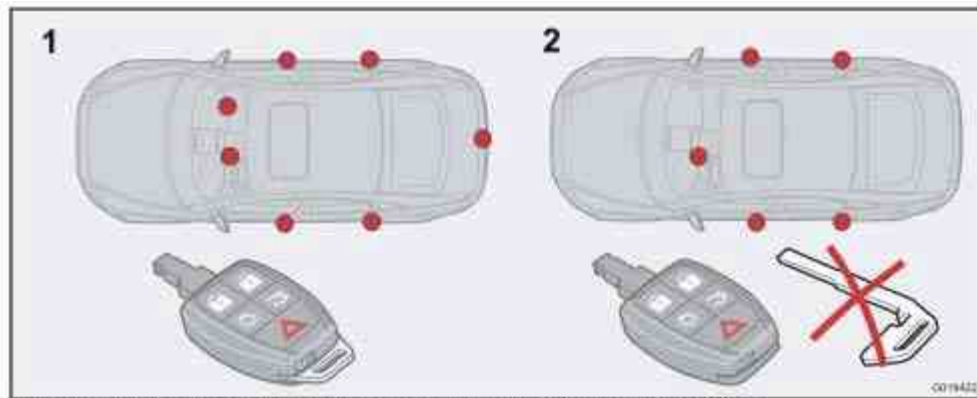
### Deactivating the valet locking function

1. Turn the key blade 180° counterclockwise in the glove compartment lock to deactivate valet locking (the trunk can then be unlocked using the remote control).
2. Use the key blade to unlock the rear seat backrests.

See [page 123](#) for information on locking the glove compartment normally.



### Valet locking

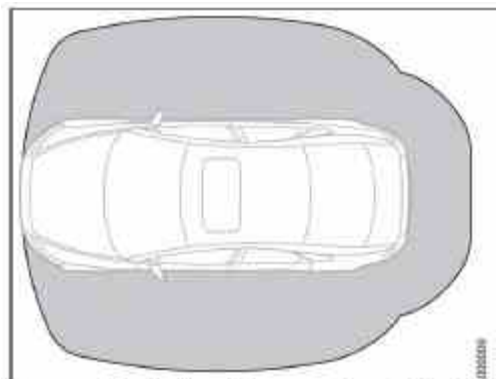


1. Locking/unlocking points for the remote control, valet locking deactivated  
2. Locking/unlocking points for the remote control, valet locking activated



### Keyless drive (option as available)

#### Keyless locking and unlocking



Range of the keyless drive remote control—5 ft (1.5 meters)

This system makes it possible to unlock and lock the vehicle without having to use the remote control. It is only necessary to have a keyless drive remote control in your possession to operate the central locking system.

#### NOTE



The buttons on the keyless drive remote control can also be used to lock and unlock the vehicle. See [page 113](#) for more information.

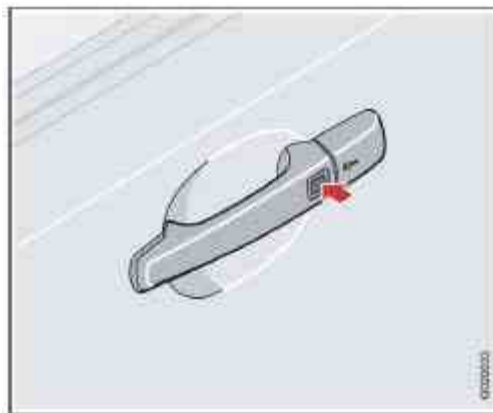
Both of the remote controls provided with the vehicle have the keyless function, and additional remotes can be ordered. The system can accommodate up to six keyless drive remote controls.

#### NOTE

The number of doors that are unlocked at the same time can be set in the Personal settings menu. See [page 77](#) for additional information.

1. A keyless drive remote control must be on the same side of the vehicle as the door to be opened, and be within 5 feet (1.5 meters) of the lock or the trunk opening control (see the shaded areas in the illustration).
2. Pull a door handle to unlock and open the door or press the trunk opening control on the trunk lid.

### Locking the vehicle



Keyless drive lock button

The doors and the trunk can be locked by pressing the lock button in any of the outside door handles.

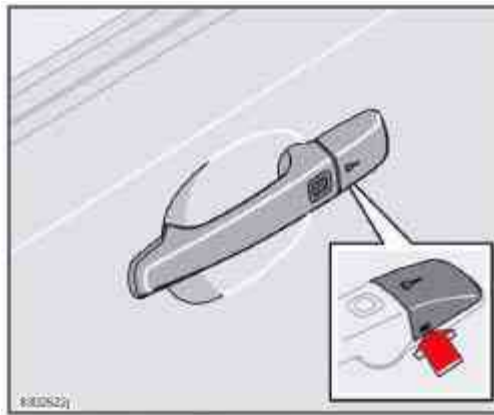
#### NOTE

- If one or more doors and/or the trunk is not fully closed when the lock button is pressed, the door(s) or trunk will not be locked.
- On keyless drive vehicles with an automatic transmission, the gear selector must be in the Park (P) position and the ignition must be switched off before the doors/trunk can be locked.



## Keyless drive (option as available)

### Locking or unlocking the vehicle with the key blade



Keyless drive keyhole cover

The driver's door on vehicles equipped with keyless drive can be locked or unlocked with the remote control's detachable key blade if necessary. See [page 115](#) for information on removing the key blade from the remote control. To access the keyhole in the driver's door:

1. Pry off the keyhole cover by inserting the key blade or a small screwdriver in the hole on the underside of the cover (indicated by the arrow in the inset illustration).
2. Insert the key blade as far as possible in the driver's door lock. Turn the key blade clockwise approximately one quarter turn to unlock the driver's door only. This will trigger the alarm.

- **Disabling the alarm:** Press the Unlock button on the keyless drive remote control. If the batteries in the remote are weak, remove the keyless drive start control from the ignition switch by pressing the catch (see the illustration on [page 138](#)) and pulling the control out of the ignition switch. Insert the ignition key section of a keyless drive remote control in the ignition switch.

### Keyless drive remote control and driver's seat memory

This function is only available on vehicles equipped with the optional power driver's seat.

- When you leave the car with a keyless drive remote control in your possession and lock any door, the position of the driver's seat will be stored in the seat's memory.
- The next time a door is opened by a person with the same remote control in his/her possession, the driver's seat will automatically move to the position that it was in when the door was most recently locked.

#### NOTE

If several people carrying keyless drive remote controls approach the vehicle at the same time, the driver's seat will assume the position it was in for the person who opens a door first.



## Keyless drive (option as available)

### Keyless drive information messages

If anyone leaves the vehicle with the only keyless drive remote control in his or her possession while the ignition is switched on, a message will be shown in the information display and an audible signal will sound.

#### NOTE

This message will only be displayed if the start control is in position **I** or **II**.

The message will be erased from the display and the audible signal will stop when the remote control has been returned to the vehicle and one of the following has occurred:

- A door has been opened and closed
- The start control has been turned to position 0
- The READ button (see [page 56](#) for the location of this button) has been pressed.

 **CAUTION**

- Keyless drive remote controls should never be left in the vehicle. In the event of a break-in, a remote found in the vehicle could make it possible to start the engine.
- Electromagnetic fields or metal obstructions can interfere with the keyless drive system. Avoid placing the remote control near cellular phones, metallic objects or e.g., in a metal briefcase.

Canada - IC:267T- 5WK48952, 267T- 5WK48964, 267T-5WK48891

**NOTE**

This device complies with RSS -210 of Industry Canada. Operation is subject to the following two conditions: (1) This device may not cause harmful interference, and (2) this device must accept interference received, including interference that may cause undesired operation.

**CAUTION**

Changes or modifications not expressly approved by the manufacturer could void the user's authority to operate the equipment.

USA - FCC ID:KR55WK48952, KR55WK48964

**NOTE**

This device complies with part 15 of the FCC Rules. Operation is subject to the following two conditions: (1) This device may not cause harmful interference, and (2) this device must accept interference received, including interference that may cause undesired operation.

**CAUTION**

Changes or modifications not expressly approved by the manufacturer could void the user's authority to operate the equipment.

Siemens VDO

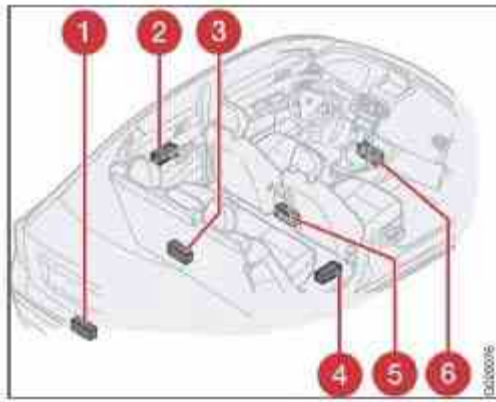
5WK48891

Tested To Comply With FCC Standards For Automobile Use



## Keyless drive (option as available)

### Location of the keyless drive antennas



The keyless drive system has a number of antennas located at various points in the vehicle.

1. On the inside center of the rear bumper
2. Left rear door handle
3. Under the floor of the trunk, near the rear seat
4. Right rear door handle
5. Under the rear section of the center console
6. Under the front section of the center console.



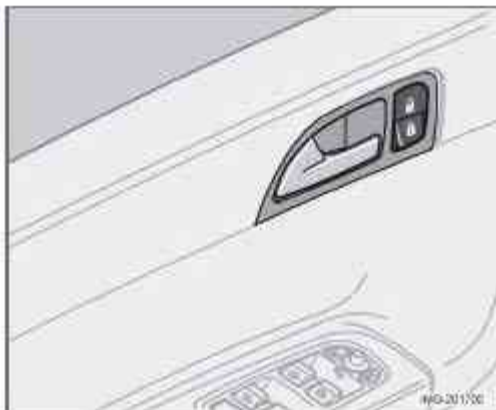
## WARNING

People with implanted pacemakers should not allow the pacemaker to come closer than 9 inches (22 cm) to any of the keyless drive system's antennas. This is to help prevent interference between the pacemaker and the keyless drive system.



## Locking and unlocking

### Locking/unlocking the car from the inside



The switches near the door opening handles on the driver's and front passenger's doors can be used to lock or unlock

all doors and the trunk, open or close the side windows , and to set the alarm.

- **Unlocking:**

Press in the upper section in the lock switch. A long press (for several seconds) also opens all the side windows.

- **Locking:**

Press in the lower section of the lock switch.

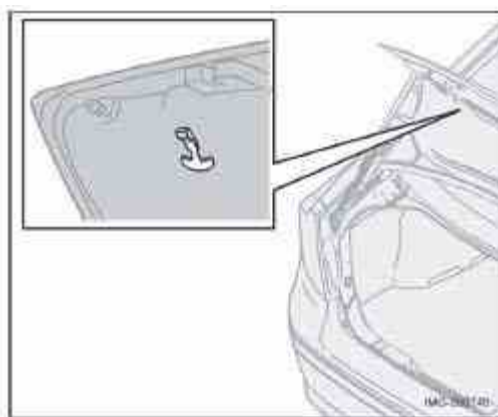
<sup>1</sup>This function must be set to On in the Personal settings menu. See [page 78](#).

A long press (for several seconds) also closes all the side windows.

### NOTE

- The ignition key must be in position I or higher (see [page 135](#)) before all side windows can be opened/closed using the switches in the front doors.
- The doors cannot be opened by pulling up the lock button.
- Each door can also be locked manually using the lock button on that particular door. This applies only if the car has not been locked from the outside.
- The doors can also be unlocked (and the door opened) by pulling the handle in the door twice.

## Opening the trunk from the inside<sup>2</sup>



Opening the trunk from the inside

The vehicle is equipped with a florescent handle on the inside of the trunk lid, which can be used in an emergency situation to open the trunk from the inside.

Pull the handle down to release the trunk lid. After use, the handle must be pushed back into its original position before the trunk can be closed.

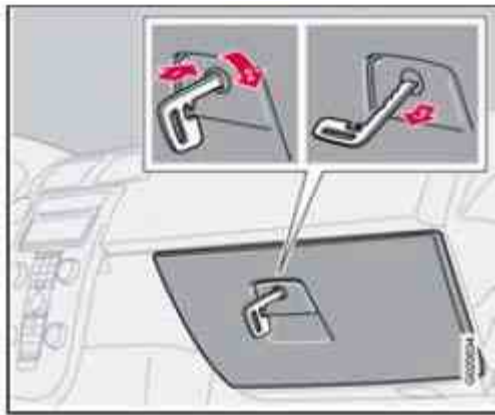
<sup>2</sup>U.S. models only



## Locking the glove compartment, Child safety locks

### Locking the glove compartment





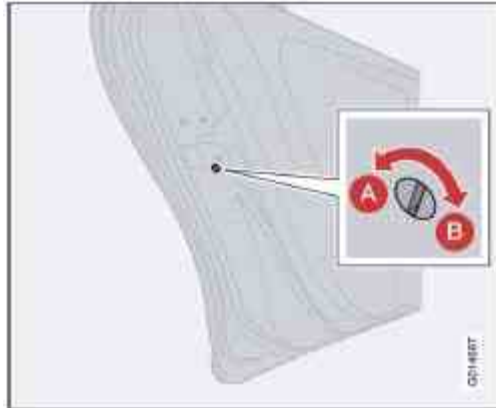
The glove compartment can only be locked and unlocked using the detachable key blade on the remote control. See [page 115](#) for information on removing the key blade from the remote control.

To lock the glove compartment:

1. Insert the key blade in the glove compartment lock.
2. Turn the key blade 90 degrees clockwise. The key slot will be in the horizontal position.
3. Remove the key blade.

Unlock the glove compartment in the reverse order.

### Manual child safety locks, rear doors



The controls are located on the rear inside edges of the doors, and are only accessible when the doors are open.

1. Remove the key blade from the remote control (see [page 115](#)).
2. Turn the control with the key blade.
  - A. The door cannot be opened from the inside.
  - B. The door can be opened from the inside.



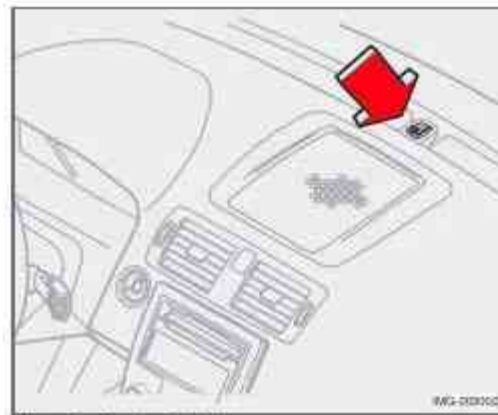
## The alarm system

The alarm is automatically armed whenever the car is locked with the remote control, or if a front lock button is depressed.

When armed, the alarm continuously monitors a number of points on the car. The following conditions will trigger the alarm:

- The hood is forced open.
- The trunk is forced open.
- A door is forced open.
- The ignition switch is tampered with
- An attempt is made to start the car with a non-approved key (a key not coded to the car's ignition).
- If there is movement in the passenger compartment (if the car is equipped with the optional movement sensor).
- The car is lifted or towed (if the car is equipped with the optional inclination sensor)
- The battery is disconnected (while the alarm is armed).
- The siren is disconnected when the alarm is disarmed.

## The alarm indicator light



Alarm indicator light

The status of the alarm system is indicated by the indicator light on at the top of the dashboard (see illustration):

- Indicator light off - the alarm is not armed
- The indicator light flashes every two seconds - the alarm is armed
- The indicator light flashes rapidly before the ignition is switched on - the alarm has been triggered. The message "ALARM TRIGGERED, CHECK CAR" will also be displayed.
- **Fault in the alarm system:** If a fault has been detected in the alarm system, a message will be shown in the information display. Contact a trained and qualified Volvo service technician to have the alarm system inspected and repaired if necessary.

## Arming the alarm

Press the LOCK button on the remote control, or press the central lock button on one of the front doors with the door open. One long flash of the turn signals will confirm that the alarm is armed.

## Disarming the alarm

Press the UNLOCK button on the remote control or insert the key in the ignition<sup>1</sup> to disarm the alarm. Two short flashes from the car's direction indicators confirm that the alarm has been deactivated and that all doors are unlocked.

## Turning off (stopping) the alarm

If the alarm is sounding, it can be stopped by pressing the UNLOCK button on the remote control or by inserting the key in the ignition

<sup>1</sup>On vehicles with the optional keyless drive, press in the start control in the ignition switch.



## Alarm

switch. The driver's door must first be unlocked with the key blade.

### NOTE

On vehicles equipped with the optional keyless drive, the start control must be removed from the ignition switch before the key can be inserted. See [page 138](#) for instructions.

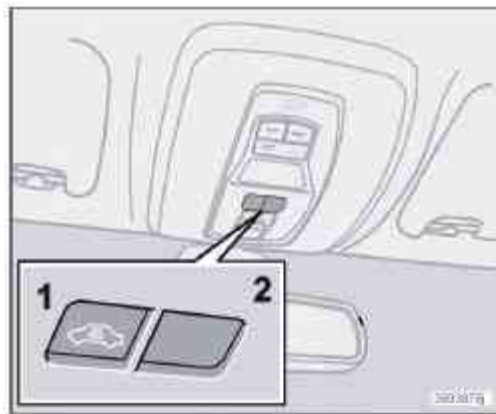
## Audible/visual alarm signal

An audible alarm signal is given by a battery powered siren. The alarm cycle lasts for 30 seconds.

### NOTE

The visual alarm signal is given by flashing all turn signals and turning on the interior lighting for approximately 5 minutes.

## Temporarily turning off the accessory alarm sensor(s)



1. Disconnecting the sensors. 2. Not in use.

In certain situations it may be desirable to turn off the accessory inclination and movement alarm sensors if, for example, you drive your vehicle onto a ferry where the rocking of the boat could trigger the alarm or if a pet is left in the vehicle with the doors locked.

1. From position **II** or higher, turn the ignition key to **0** and remove it from the ignition switch<sup>1</sup>
2. Press the button (1). The LED in the button will remain on for one minute after the key has been removed from the ignition switch or until the car is locked.

The optional keyless drive start control does not need to be removed.

 **CAUTION**

The accessory sensors are automatically reconnected to the alarm system the next time the vehicle is unlocked and then locked again.

- This function will not turn off the vehicle's standard alarm

U.S.A. FCC ID: MAYDA 5823(3)

This device complies with part 15 of the FCC rules. Operation is subject to the following conditions: (1) This device may not cause harmful interference, and (2) this device must accept any interference received, including interference that may cause undesired operation.

Canada IC: 4405A-DA 5823(3)

Movement sensor DA5823 by Dynex Operation is subject to the following conditions: (1) this device may not cause interference, and (2) this device must accept any interference, including interference that may cause undesired operation of the device.



[Contents](#) | [Top of Page](#)

# 2008 VOLVO S40

## 126 06 Starting and driving



General information	<a href="#">128</a>
Fuel requirements	<a href="#">132</a>
Ignition switch/Steering wheel lock	<a href="#">135</a>
Starting the vehicle	<a href="#">136</a>
Starting the car with keyless drive (option)	<a href="#">138</a>
Manual transmission, 5-speed	<a href="#">139</a>
Manual transmission, 6-speed	<a href="#">140</a>
Automatic transmission	<a href="#">141</a>
Shiftlock override	<a href="#">145</a>
All Wheel Drive (option)	<a href="#">146</a>
Brake system	<a href="#">147</a>
Stability system	<a href="#">149</a>
Towing	<a href="#">151</a>
Jump starting	<a href="#">153</a>
Towing a trailer	<a href="#">154</a>
Detachable trailer hitch	<a href="#">156</a>
Transporting loads	<a href="#">157</a>
Blind Spot Information System (BLIS)-option	<a href="#">158</a>
Park assist (Option/accessory)	<a href="#">162</a>

## 127 06 Starting and driving



## 128 06 Starting and driving



### General information

**Economical driving conserves natural resources**

Better driving economy may be obtained by thinking ahead, avoiding rapid starts and stops and adjusting the speed of your vehicle to immediate traffic conditions.

Observe the following rules:

- Bring the engine to normal operating temperature as soon as possible by driving with a light foot on the accelerator pedal for the first few minutes of operation. A cold engine uses more fuel and is subject to increased wear.
- Whenever possible, avoid using the vehicle for driving short distances. This does not allow the engine to reach normal operating temperature.
- Drive carefully and avoid rapid acceleration and hard braking.
- Use the transmission's Drive (**D**) position as often as possible and avoid using kickdown.
- Do not exceed posted speed limits.
- Avoid carrying unnecessary items (extra load) in the vehicle.
- Maintain correct tire pressure. Check tire pressure regularly (when tires are cold).
- Remove snow tires when threat of snow or ice has ended.
- Note that roof racks, ski racks, etc, increase air resistance and also fuel consumption.
- At highway driving speeds, fuel consumption will be lower with the air conditioning on and the windows closed than with the air conditioning off and the windows open.
- Using the onboard trip computer's fuel consumption modes can help you learn how to drive more economically.

**Other factors that decrease gas mileage are:**

- Dirty air cleaner
- Dirty engine oil and clogged oil filter
- Dragging brakes
- Incorrect front end alignment

Some of the above mentioned items and others are checked at the standard maintenance intervals.

### Weight distribution affects handling



#### WARNING

- Driving with the trunk open: Driving with the trunk open could lead to poisonous exhaust gases entering the passenger compartment. If the trunk must be kept open for any reason, proceed as follows:
  - Close the windows
  - Set the ventilation system control to air flow to floor, windshield and side windows and the blower control to its highest setting.

At the specified curb weight your vehicle has a tendency to understeer, which means that the steering wheel has to be turned more than might seem appropriate for the curvature of a bend. This ensures good stability and reduces the risk of rear wheel skid. Remember that these properties can alter with the vehicle load. The heavier the load in the cargo area, the less the tendency to understeer.

### Handling, roadholding

Vehicle load, tire design and inflation pressure all affect vehicle handling. Therefore, check that the tires are inflated to the recommended pressure according to the vehicle load. See the "Tire pressure" section. Loads should be distributed so that capacity weight



or maximum permissible axle loads are not exceeded.

## Driving through water

The vehicle can be driven through water up to a depth of approximately 9 in. (25 cm), at a maximum speed of 6 mph (10 km/h).

- Take particular care when driving through flowing water.
- Clean the electrical connections for trailer wiring after driving in mud or water
- When driving through water, maintain low speed and do not stop in the water.

### WARNING

After driving through water, press lightly on the brake pedal to ensure that the brakes are functioning normally. Water or mud can make the brake linings slippery, resulting in delayed braking effect.

### CAUTION

- Engine damage will occur if water is drawn into the air cleaner.
- If the vehicle is driven through water deeper than 9 in (25 cm), water may enter the differential and the transmission. This reduces the oil's lubricating capacity and may shorten the service life of these components.
- Do not allow the vehicle to stand in water up to the door sills longer than absolutely necessary. This could result in electrical malfunctions.
- If the engine has been stopped while the car is in water, do not attempt to restart the engine. Have the car towed out of the water.

## Cold weather precautions

If you wish to check your vehicle before the approach of cold weather, the following advice is worth noting:

- Make sure that the engine coolant contains 50 percent antifreeze. Any other mixture will reduce freeze protection. This gives protection against freezing down to - 31°F (-35°C). See section "Coolant". The use of "recycled" antifreeze is not approved by Volvo. Different types of antifreeze must not be mixed.
- Volvo recommends using only genuine Volvo antifreeze in your vehicle's radiator. Your Volvo retailer stocks plenty of Volvo engine coolant to help protect your vehicle during cold weather.
- Try to keep the fuel tank well filled - this prevents the formation of condensation in the tank. In addition, in extremely cold weather conditions it is worthwhile to add fuel line de-icer before refueling.
- The viscosity of the engine oil is important. Oil with low viscosity (thinner oil) improves cold-weather starting as well as decreasing fuel consumption while the engine is warming up. For winter use, 5W-30 oil, particularly the synthetic type<sup>1</sup>, is recommended. Be sure to use good quality oil but do not use cold-weather oil for hard driving or in warm weather. See [page 253](#) for more information.
- The load placed on the battery is greater during the winter since the windshield wipers, lighting, etc. are used more often. Moreover, the capacity of the battery decreases as the temperature drops. In very cold weather, a poorly charged battery can freeze and be damaged. It is therefore advisable to check the state of

<sup>1</sup>Synthetic oil is not used when the oil is changed at the normal maintenance intervals except at owner request and at additional charge. Please consult your Volvo retailer.



charge more frequently and spray an antirust oil on the battery posts.

- Volvo recommends the use of snow tires on all four wheels for winter driving - see the chapter "Wheels and tires."
- To prevent the washer fluid reservoir from freezing, add washer solvents containing antifreeze (see [page 204](#) for the location of the washer fluid reservoir). This is important since dirt is often splashed on the windshield during winter driving, requiring the frequent use of the washers and wipers. Volvo Washer Solvent should be diluted as follows:  
Down to 14° F (-10° C): 1 part washer solvent and 4 parts water  
Down to 5° F (-15° C): 1 part washer solvent and 3 parts water  
Down to 0° F (-18° C): 1 part washer solvent and 2 parts water  
Down to -18° F (-28° C): 1 part washer solvent and 1 part water.
- Use Volvo Teflon Lock Spray in the locks.

#### NOTE

Avoid using de-icing sprays as they can cause damage to the locks.

### Conserving electrical current

Keep the following in mind to help minimize battery drain:

- When the engine is not running, avoid turning the ignition key to position II. Many electrical systems (the audio system, the optional navigation system, power windows, etc) will function with the ignition key in position I. This position reduces drain on the battery.
- Please keep in mind that using systems, accessories, etc that consume a great deal of current when the engine is not running could result in the battery being completely drained.
- The optional 12-volt socket in the cargo area provides electrical current even with the ignition switched off, which drains the battery.

#### NOTE

- If the ignition is switched on, a warning message will be displayed in the text window in the instrument panel when the battery charge is low.
- An energy conserving function designed into the vehicle's electrical system will switch off certain functions or reduce the load on the battery by, e.g., reducing the audio system's volume.



## General information

### Before a long distance trip

It is always worthwhile to have your vehicle checked by a trained and qualified Volvo service technician before driving long distances. Your retailer or service technician will also be able to supply you with bulbs, fuses, spark plugs and wiper blades for your use in the event that problems occur.

As a minimum, the following items should be checked before any long trip:

- Check that engine runs smoothly and that fuel consumption is normal.
- Check for fuel, oil, and fluid leakage
- Have the transmission oil level checked<sup>1</sup>.
- Check condition of drive belts.
- Check state of the battery's charge.
- Examine tires carefully (the spare tire as well), and replace those that are worn. Check tire pressures.



- The brakes, front wheel alignment, and steering gear should be checked by a trained and qualified Volvo service technician only.
- Check all lights, including high beams.
- Reflective warning triangles are legally required in some states/provinces.
- Have a word with your Volvo retailer if you intend to drive in countries where it may be difficult to obtain the correct fuel.
- Consider your destination. If you will be driving through an area where snow or ice are likely to occur, consider snow tires.

<sup>1</sup>To prevent injury from contact with hot surfaces, do not inspect your vehicle's transmission fluid yourself. Have your vehicle's transmission fluid level inspected by a qualified Volvo service technician.



## Fuel requirements

### Octane rating



Volvo recommends premium for best performance, but using 87 octane or above will not affect engine reliability.

Volvo engines are designed to achieve rated horsepower, torque, and fuel economy performance using premium 91 octane fuel.

In demanding driving conditions, such as operating the vehicle in hot weather, towing a trailer, or driving for extended periods at higher altitudes than normal, it may be advisable to switch to higher octane fuel

RECOMMENDED



(91 or higher) or to change gasoline brands to fully utilize your engine's capacity, and for the smoothest possible operation.

 NOTE

When switching to higher octane fuel or changing gasoline brands, it may be necessary to fill the tank more than once before a difference in engine operation is noticeable.

### Deposit control gasoline (detergent additives)

Volvo recommends the use of detergent gasoline to control engine deposits. Detergent gasoline is effective in keeping injectors and intake valves clean. Consistent use of deposit control gasolines will help ensure good driveability and fuel economy. If you are not sure whether the gasoline contains deposit control additives, check with the service station operator.

 NOTE

Volvo does not recommend the use of store-bought fuel injector cleaning additives.

### Unleaded fuel

Each Volvo has a three-way catalytic converter and must use only unleaded gasoline. U.S. and Canadian regulations require that pumps delivering unleaded gasoline be labelled "UNLEADED". Only these pumps have nozzles which fit your vehicle's filler inlet. It is unlawful to dispense leaded fuel into a vehicle labelled "unleaded gasoline only". Leaded gasoline damages the three-way catalytic converter and the heated oxygen sensor system. Repeated use of leaded gasoline will lessen the effectiveness of the



## Fuel requirements

emission control system and could result in loss of emission warranty coverage. State and local vehicle inspection programs will make detection of misfueling easier, possibly resulting in emission test failure for misfueled vehicles.

 NOTE

Some U.S. and Canadian gasolines contain an octane enhancing additive called methyl-cyclopentadienyl manganese tricarbonyl (MMT). If such fuels are used, your Emission Control System performance may be affected, and the

Check Engine Light (malfunction indicator lamp) located on your instrument panel may light. If this occurs, please return your vehicle to a trained and qualified Volvo service technician for maintenance.

## Gasoline containing alcohol and ethers

Some fuel suppliers sell gasoline containing "oxygenates" which are usually alcohols or ethers. In some areas, state or local laws require that the service pump be marked indicating use of alcohols or ethers. However, there are areas in which the pumps are unmarked. If you are not sure whether there is alcohol or ethers in the gasoline you buy, check with the service station operator. To meet seasonal air quality standards, some areas require the use of "oxygenated" fuel. Volvo allows the use of the following "oxygenated" fuels; however, the octane ratings listed on this page must still be met.

### Alcohol - Ethanol

Fuels containing up to 10% ethanol by volume may be used. Ethanol may also be referred to as Ethyl alcohol, or "Gasohol".

Ethers - MTBE: Fuels containing up to 15% MTBE may be used.

## Fuel Formulations

Do not use gasoline that contains lead as a knock inhibitor, and do not use lead additives. Besides damaging the exhaust emission control systems on your vehicle, lead has been strongly linked to certain forms of cancer. Many fuels contain benzene as a solvent. Unburned benzene has been strongly linked to certain forms of cancer. If you live in an area where you must fill your own gas tank, take precautions.

These may include:

- standing upwind away from the filler nozzle while refueling
- refueling only at gas stations with vapor recovery systems that fully seal the mouth of the filler neck during refueling
- wearing neoprene gloves while handling a fuel filler nozzle.



## WARNING

Carbon monoxide is a poisonous, colorless, and odorless gas. It is present in all exhaust gases. If you ever smell exhaust fumes inside the vehicle, make sure the passenger compartment is ventilated, and immediately return the vehicle to a trained and qualified Volvo service technician for correction.

## Use of Additives

With the exception of fuel line antifreeze during winter months, do not add solvents, thickeners, or other store-bought additives to your vehicle's fuel, cooling, or lubricating systems. Overuse may damage your engine, and some of these additives contain organically volatile chemicals. Do not needlessly expose yourself to these chemicals.

## Fuel filler door

Press the button on the light switch panel (see the illustration on [page 59](#)) **with the ignition switched off** to unlock the fuel filler door. Please note that the fuel filler door will remain unlocked until the vehicle begins to move forward. An audible click will be heard when the fuel filler door relocks.



If you intend to leave your vehicle while it is being refueled, this feature enables you to lock the doors/trunk while leaving the fuel filler door unlocked.

You can also keep the vehicle locked if you remain inside it during refueling. The central locking button does not lock the fuel filler door.

Be sure the fuel filler door is not obstructed and is completely closed after refueling.

**Open the fuel filler cap slowly during hot weather.**

## Refueling

The fuel tank is designed to accommodate possible expansion of the fuel in hot weather. See [page 252](#) for fuel tank volume. Be aware that the "usable" tank capacity will be somewhat less than the specified maximum. When the fuel level is low, such factors as ambient temperature, the fuel's "Reid vapor pressure" characteristics, and terrain can affect the fuel pump's ability to supply the engine with an adequate supply of fuel. Therefore, it is advisable to refuel as soon as possible when the needle nears the red zone, or when the fuel warning light comes on.

### CAUTION

- Do not refuel with the engine running<sup>1</sup>. Turn the ignition off or to position I. If the ignition is on, an incorrect reading could occur in the fuel gauge
- After refueling, close the fuel filler cap by turning it clockwise until it clicks into place.
- Avoid overfilling the fuel tank. Do not press the handle on the filler nozzle more than one extra time. Too much fuel in the tank in hot weather conditions can cause the fuel to overflow. Overfilling could also cause damage to the emission control systems.
- Avoid spilling gasoline during refueling. In addition to causing damage to the environment, gasolines containing alcohol can cause damage to painted surfaces, which may not be covered under the New Vehicle Limited Warranty.
- Do not use gasolines containing methanol (methyl alcohol, wood alcohol). This practice can result in vehicle performance deterioration and can damage critical parts in the fuel system. Such damage may not be covered under the New Vehicle Limited Warranty.

<sup>1</sup>If the fuel filler cap is not closed tightly or if the engine is running when the vehicle is refueled, the Check Engine Light (malfunction indicator lamp) may indicate a fault. However, your vehicle's performance will not be affected. Use only Volvo original or approved fuel filler caps.



## Ignition switch/Steering wheel lock

### Ignition switch and steering wheel lock



**0 - Locked position**

Remove the key to lock the steering wheel<sup>1</sup>. Never turn the key to position 0 while driving or when the vehicle is being towed.

### NOTE

A ticking sound may be audible if the key is turned to a position between 0 and I. To stop this sound, turn the key to position II and back to position 0.



## I - Intermediate position<sup>2</sup>

Certain accessories, radio, etc. on, daytime running lights off.

<sup>1</sup>Automatic transmission: the gear selector must be in the Park position. The optional keyless drive start control does not need to be removed.

<sup>2</sup>Please be aware that leaving the key in this positions I or II will increase battery drain.



## II - Drive position

The key's position when driving. The vehicle's entire electrical system is activated.



## III - Start position

Turn the key to this position and release it immediately. The key returns automatically to the Drive position.

A chime will sound if the key is left in the ignition and the driver's door is opened (does not apply to vehicles with the optional keyless drive).

## Steering wheel lock

When the key is removed from the ignition, the steering wheel locks so that it cannot be turned.

### NOTE

The steering wheel lock is activated when the driver's door is opened on vehicles with the optional keyless drive.

## Releasing the steering wheel lock

If the front wheels are hard up against a curb, the steering wheel lock may be under too much tension to unlock.

If so, the key will turn in the ignition switch but the car will not start.

At the same time, a message "Steering locked turn wheel" will appear in the information display.

If this happens:

1. Remove the key<sup>3</sup> from the ignition.
2. Turn the steering wheel slightly and hold it to release pressure on the lock mechanism.
3. Reinsert the key and start the vehicle.

The steering should immediately unlock. If not, try again.

### NOTE

In order to help reduce vehicle theft, make sure the steering wheel lock is engaged before leaving the vehicle.

<sup>3</sup>Vehicles with optional keyless drive: Turn the start control to position 0, turn the wheel slightly to release the pressure, and turn the start control to position III to start the vehicle.



## Starting the vehicle

### WARNING

Never switch off the ignition (turn the ignition key or start control to position 0) or remove the key or start control from the ignition switch while the vehicle is in motion. This could cause the steering wheel to lock, which would make the vehicle impossible to steer.

### To start the engine

1. Fasten the seat belt.

### WARNING

Before starting, check that the seat, steering wheel and mirrors are adjusted properly. Make sure the brake pedal can be depressed completely. Adjust the seat if necessary.

2. Apply the parking brake if not already set. The gear selector should be locked in the Park (**P**) position (Shiftlock). See also [page 145](#).

**Manual transmission:** the clutch must be fully depressed.

3. The vehicle is equipped with an autostart feature. Without touching the throttle pedal, turn the key to position III and release it. The starter motor will then operate automatically (for up to ten seconds) until the engine starts. If the engine fails to start, repeat this step.

### NOTE

After a cold start, idle speed may be noticeably higher than normal for a short period. This is done to help bring components in the emission control system to their normal operating temperature as quickly as possible, which enables them to control emissions and help reduce the vehicle's impact on the environment.

4. To release the gear selector from the Park (**P**) position, the engine must be running (or the ignition key must be in position II) and the brake pedal must be depressed.
5. Select the desired gear. On models with an automatic transmission, the gear engages after a very slight delay which is especially noticeable when selecting R.

### NOTE

- **Immobilizer:** If two of the keys to your vehicle are close together, e.g., on the same key ring when you try to start the vehicle, this could cause interference in the immobilizer system and result in the vehicle not starting. If this should occur, remove one of the keys from the key ring before trying to start the vehicle again.
- **Keylock:** Models equipped an automatic transmission have a keylock system. When the engine is switched off, the gear selector must be in the Park (**P**) position before the key can be removed from the ignition switch<sup>1</sup>.

- When starting in cold weather, the transmission may shift up at slightly higher engine speeds than normal until the automatic transmission fluid reaches normal operating temperature.
- Do not race a cold engine immediately after starting. Oil flow may not reach some lubrication points fast enough to prevent engine damage.

<sup>1</sup>The optional keyless drive start control does not need to be removed from the ignition switch.



## Starting the vehicle

### WARNING

Volvo's floor mats are specially manufactured for your car. They must be firmly secured in the clips on the floor so that they cannot slide and become trapped under the pedals on the driver's side.

### CAUTION

Automatic transmission: The engine should be idling when you move the gear selector. Never accelerate until after you feel the transmission engage! Accelerating immediately after selecting a gear will cause harsh engagement and premature transmission wear. Selecting P or N when idling at a standstill for prolonged periods of time will help prevent overheating of the automatic transmission fluid.

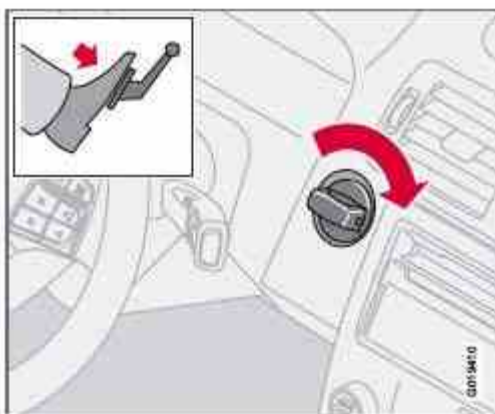
### WARNING

- Always place the gear selector in Park (manual transmission: first or reverse gear) and apply the parking brake before leaving the vehicle. Never leave the vehicle unattended with the engine running.
- Always open garage doors fully before starting the engine inside a garage to ensure adequate ventilation. The exhaust gases contain carbon monoxide, which is invisible and odorless but very poisonous.



## Starting the vehicle with keyless drive (option)

### Starting a vehicle with keyless drive



Keyless drive makes it possible to unlock, start and lock the vehicle without using a remote control.

A start control is fitted in the ignition switch on vehicles equipped with the optional keyless drive. This control is used in the same way as the ignition key to start the engine. See also [page 136](#) for general information on starting the engine.

#### NOTE

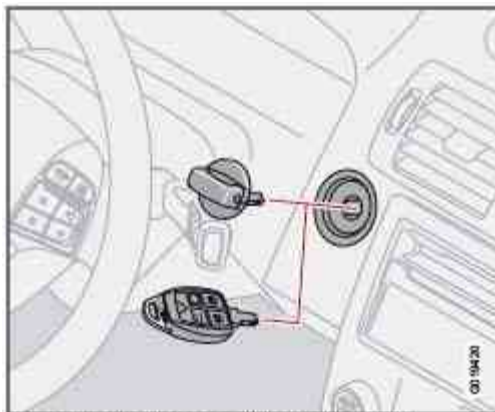
A keyless drive remote control must be in the passenger's compartment or in the trunk/cargo area in order to start the engine.

1. Press the brake pedal (the clutch pedal must also be fully depressed on models with a manual transmission).
2. Press in the keyless drive start control and turn it to position **III**.

#### NOTE

The vehicle is equipped with an **autostart** function that makes it possible to start the engine without holding the start control in position **III**. Turn the start control to position **III** and release it. The starter motor will then operate automatically (for up to ten seconds) until the engine starts.

### Starting the vehicle with the ignition key (remote control)



*Removing the keyless drive start control*

A vehicle with keyless drive can also be started with the ignition key (if, for example, the battery in the keyless drive remote control is weak). To do so:

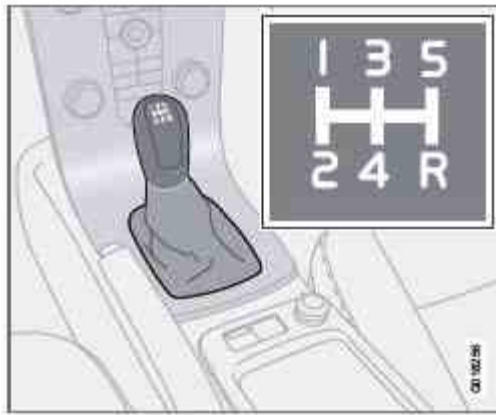
1. Press the catch on the side of the start control (see the illustration).
2. Pull the keyless drive start control out of the ignition switch.
3. Insert the remote control into the ignition switch and turn it to position **III** to start the engine. See also [page 136](#) for complete starting information.



## Manual transmission, 5-speed

**5-speed manual transmission (option on certain models)**





Depress the clutch pedal completely when changing gears<sup>1</sup>.

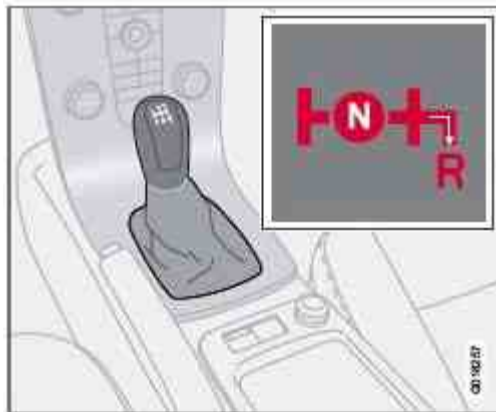
Remove your foot from the clutch pedal while driving. The shift pattern should be followed.

Overdrive (5th gear) should be used as often as possible to help improve fuel economy.

<sup>1</sup>Clutch interlock

The clutch must be fully depressed before you can start your car. If the clutch is not depressed, it will not be possible to start the engine.

### Engaging reverse gear, 5-speed transmission



Reverse gear should only be engaged from a complete stop.

#### CAUTION

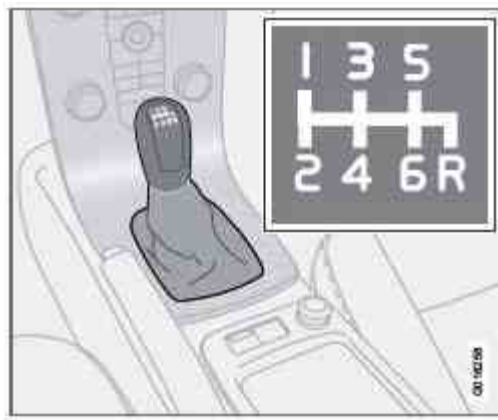
Never shift into reverse while moving forward.

#### WARNING

An extra mat on the driver's floor can cause the accelerator, brake, and/or clutch pedal to catch. Check that the movement of these pedals is not impeded. Not more than one protective floor covering may be used at one time.



## 6-speed manual transmission (option on certain models)



Depress the clutch pedal completely when changing gears<sup>1</sup>.

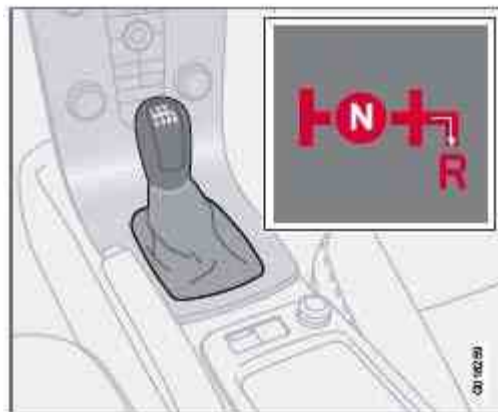
Remove your foot from the clutch pedal while driving. The shift pattern should be followed.

Overdrive (5th and 6th gears) should be used as often as possible to help improve fuel economy.

<sup>1</sup>Clutch interlock

The clutch must be fully depressed before you can start your car. If the clutch is not depressed, it will not be possible to start the engine.

## Engaging reverse gear, 6-speed transmission



Reverse gear should only be engaged from a complete stop.

### NOTE

Reverse gear is electronically blocked and cannot be selected if the vehicle is moving at a speed of approximately 13 mph (20km/h).

### CAUTION

Never shift into reverse while moving forward.

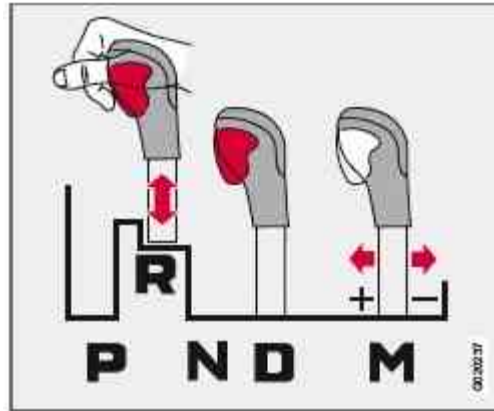
### WARNING

An extra mat on the driver's floor can cause the accelerator, brake, and/or clutch pedal to catch. Check that the movement of these pedals is not impeded. Not more than one protective floor covering may be used at one time.



## Automatic transmission

### Shiftgate positions



Depress the button on the front of the gear selector knob to move the selector between the R, N, D, and P positions.

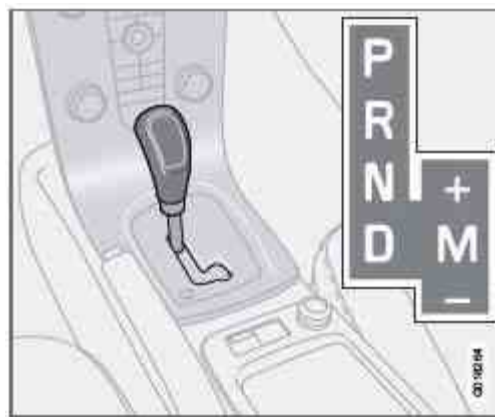
The gear selector can be moved freely between the Geartronic (manual shifting) and Drive (**D**) positions while driving.

### Gear selector positions

#### **P - Park**

Select the **P** position when starting or parking.

In **P**, the transmission is mechanically blocked (Shiftlock). Always apply the parking brake when parking.



*D - left position: automatic shifting*

*M - right position: manual shifting*



#### **CAUTION**

The car must be stationary when selecting position P.

#### **R - Reverse**

The car must be stationary when shifting to position R.

## N - Neutral

**N** is the neutral position. The engine can be started, but no gear is selected. Apply the



## Automatic transmission

parking brake when the car is stationary with the gear selector in **N**.

### NOTE

If the gear selector is in the Neutral position and the vehicle has been at a standstill for at least 3 seconds, the brake pedal must be pressed before the gear selector can be moved to another position.

In order to move the gear selector to another position:

1. Turn the ignition key to position II (if the engine is not already running).
2. Depress the brake pedal.
3. Move the gear selector to the desired position.

## D - Drive

**D** is the normal driving position. The Drive position offers 5 forward gears<sup>1</sup>. The car automatically shifts between the various forward gears, based on the level of acceleration and speed. The car must be at a standstill when shifting to position **D** from position **R**.

<sup>1</sup>T5 models have 6 forward gears.

## Manual shifting - Geartronic

The manual shifting mode (Geartronic) can be selected at any time to manually select forward gears, including while the car is moving.

### NOTE

Reverse, Neutral, and Park cannot be selected in Geartronic mode.

- To access the (**M**)anual shifting position from Drive (**D**), move the gear selector to the right to **M**.
- To return to the (**D**)rive position from **M**, move the gear selector to the left.

## While driving

- If you select the **M** position while driving, the gear that was being used in the Drive position will also initially be selected in the **M** position.
- Move the gear selector forward (toward "+") to shift to a higher gear or rearward (toward "-") to shift to a lower gear.
- If you hold the gear selector toward "-", the transmission will downshift one gear at a time and will utilize the braking power of the engine. If the current speed is too high for using a lower gear, the downshift will not occur until the speed has decreased enough to allow the lower gear to be used.
- If you slow to a very low speed, the transmission will automatically shift down.

## Cold starts (turbo engines)

When driving before the engine has reached its normal operating temperature, the transmission will shift up at slightly higher engine speeds to heat the three-way catalytic converter as quickly as possible.

143 06 Starting and driving



## Automatic transmission

### Kickdown

Automatic shift to a lower gear (kickdown) is achieved by depressing the accelerator pedal fully and briskly. An upshift will occur when approaching the top speed for a particular gear or by releasing the accelerator pedal slightly. Kickdown can be used for maximum acceleration or when passing at highway speeds.

### Safety function

To help prevent excessive engine speeds (rpm) that could lead to engine damage, the engine management system includes a function that prevents kickdown from taking place if the engine speed is too high.

Kickdown will not occur if the driver attempts to use this function when engine speeds are too high. The transmission will remain in the currently selected gear.

144 06 Starting and driving



## Automatic transmission

### Text messages and actions

In certain situations, the message may appear in the display and the information or warning symbol may illuminate.

Symbol	Message	Driving characteristics	Action
	TRANSM OVER-HEAT BRAKE TO HOLD	Difficult to maintain an even speed at constant engine rpm.	The transmission has overheated. Keep the car stationary by applying the brakes <sup>1</sup> .
	TRANSM OVER-HEAT PARK SAFELY	The vehicle lurches forward.	Transmission overheated. Park the vehicle as soon as possible in a safe place <sup>1</sup> .

<sup>1</sup>To cool the transmission as quickly as possible, put the gear selector in **N** or **P** and let the engine idle until the message disappears.

The table shows two levels of severity if the transmission should overheat. In addition to the message in the display, the driver will also be aware that the vehicle's electrical system has temporarily changed the driving characteristics. Follow the instructions in the display.

See also [page 57](#) for additional messages pertaining to the automatic transmission.

The message will disappear after the displayed action has been taken or if the **READ** button on the turn signal lever has been pressed.

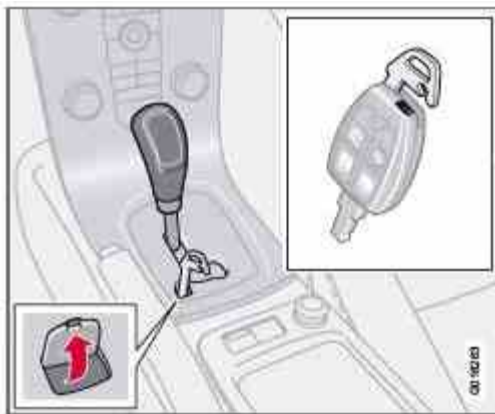
**NOTE**

The examples shown in the table indicate that a safety function has been activated to help prevent damage to the transmission.



## Shiftlock override

### Overriding the shiftlock system



Shiftlock prevents the gear selector from being moved out of Park unless the ignition key is in position II and the brake pedal is depressed.

In certain cases it may be necessary to move the gear selector from the Park position manually.

#### To manually override the Shiftlock system:

1. Apply the parking brake.
2. Depress the brake pedal.
3. There is a small cover below P-R-N-D on the gear selector panel. Open the rear edge of the panel.
4. Insert the key blade (see [page 115](#)) into the opening and press it down until it bottoms.
5. With the key blade pressed down, move the gear selector out of the P position.



## All Wheel Drive (option)

### All Wheel Drive (AWD) - general information

Your Volvo can be equipped with permanent All Wheel Drive (option), which means that power is distributed automatically between the front and rear wheels. Under normal driving conditions, most of the engine's power is directed to the front wheels. However, if there is any tendency for the front wheels to spin, an electronically controlled coupling distributes power to the wheels that have the best traction.

### Tire dimensions

Volvo recommends that you always drive on tires of the same brand, size, construction (radial), tread pattern, load-,

speed-, traction-, temperature-, and treadwear rating. Never drive on mixed tires, except for brief periods when the temporary spare tire is in use.

Always use properly inflated tires of correct dimensions. Tire size and inflation pressures are shown on a placard located on the driver's side B-pillar (the structural member at the side of the vehicle, at the rear of the driver's door opening). See also the tire inflation pressure tables beginning on [page 172](#).

## Temporary Spare

The temporary spare tire is for temporary, low-speed, short-distance use only. Replace it with a full-sized tire as soon as possible. Do not drive on the temporary spare at speeds above 50 m.p.h. (80 km/h).

Never install snow chains on a temporary spare.



## Brake system

### Brake circuit malfunction

The brake system is a hydraulic system consisting of two separate brake circuits. If a problem should occur in one of these circuits, it is still possible to stop the vehicle with the other brake circuit.

If the brake pedal must be depressed farther than normal and requires greater foot pressure, the stopping distance will be longer.

A warning light in the instrument panel will light up to warn the driver that a fault has occurred.

If this light comes on while driving or braking, stop immediately and check the brake fluid level in the reservoir.

#### NOTE

Press the brake pedal hard and maintain pressure on the pedal - do not pump the brakes.

#### WARNING

If the fluid level is below the MIN mark in the reservoir or if a brake system message is shown in the information display: DO NOT DRIVE. Have the vehicle towed to a trained and qualified Volvo service technician and have the brake system inspected.

### Power brakes function only when the engine is running

The power brakes utilize vacuum pressure which is only created when the engine is running. Never let the vehicle roll to a stop with the engine switched off.

If the power brakes are not working, the brake pedal must be pressed approximately five times harder than usual to make up for the lack of power assistance. This can happen for example when towing your vehicle or if the engine is switched off when the vehicle is rolling. The brake pedal feels harder than usual.

### Water on brake discs and brake pads affects braking

Driving in rain and slush or passing through an automatic car wash can cause water to collect on the brake discs and pads. This will cause a delay in braking effect when the pedal is depressed. To avoid such a delay when the brakes are

needed, depress the pedal occasionally when driving through rain, slush, etc. This will remove the water from the brakes. Check that brake application feels normal. This should also be done after washing or starting in very damp or cold weather.

### Severe strain on the brake system

The brakes will be subject to severe strain when driving in mountains or hilly areas, or when towing a trailer. Vehicle speed is usually slower, which means that the cooling of the brakes is less efficient than when driving on level roads. To reduce the strain on the brakes, shift into a lower gear and let the engine help with the braking. Do not forget that if you are towing a trailer, the brakes will be subjected to a greater than normal load.

### Anti-lock brakes (ABS)

The Anti-lock Braking System (ABS) helps to improve vehicle control (stopping and steering) during severe braking conditions by limiting brake lockup. When the system "senses" impending lockup, braking pressure is automatically modulated in order to help prevent lockup that could lead to a skid.

**The system performs a self-diagnostic test when the engine is started and when the vehicle first reaches a speed of approximately 12 m.p.h. (20 km/h).** The brake pedal will pulsate several times and a sound may be audible from the ABS control module. This is normal.



## Brake system

### For optimal ABS braking effect:

1. Press down on the brake pedal with full force. The pedal will pulsate.
2. Steer the vehicle in the direction of travel and keep the brake pedal depressed.

### Electronic Brake Force Distribution (EBD)

EBD is an integrated part of the ABS system. EBD regulates the hydraulic pressure to the rear brakes to help provide optimal braking capacity.

The switching of the ABS modulator will be audible and the brake pedal will pulsate during braking. Please be aware that ABS does not increase the absolute braking potential of the vehicle. While control will be enhanced, ABS will not shorten stopping distances on slippery surfaces.

If the warning lamp lights up there is a malfunction of the ABS system (the standard braking system will still function) and the vehicle should be driven cautiously to a trained and qualified Volvo service technician for inspection.

### WARNING

If the BRAKE and ABS warning symbols light at the same time, there may be a problem in the brake system. If the brake fluid level is normal in these circumstances, drive carefully to the nearest trained and qualified Volvo service technician to have the brake system checked.

### Emergency Brake Assistance - EBA

EBA is designed to provide full brake effect immediately in the event of sudden, hard braking. The system is activated by the speed with which the brake pedal is depressed.

When the EBA system is activated, the brake pedal will go down and pressure in the brake system immediately increases to the maximum level. Maintain full pressure on the brake pedal in order to utilize the system completely.



EBA is automatically deactivated when the brake pedal is released.

## **i** NOTE

- When the EBA system is activated, the brake pedal will go down and pressure in the brake system immediately increases to the maximum level. You must maintain full pressure on the brake pedal in order to utilize the system completely. There will be no braking effect if the pedal is released. EBA is automatically deactivated when the brake pedal is released.
- When the vehicle has been parked for some time, the brake pedal may sink more than usual when the engine is started. This is normal and the pedal will return to its usual position when it is released.



## Stability system

### Stability Traction Control (STC)/Dynamic Stability Traction Control (DSTC)

The stability system consists of a number of functions designed help reduce wheel spin, counteract skidding, and to generally help improve directional stability.

A pulsating sound will be audible when the system is actively operating and is normal.

Function/ system	STC	DSTC <sup>1</sup>
TC	X	X
SC	X	X
AYC		X

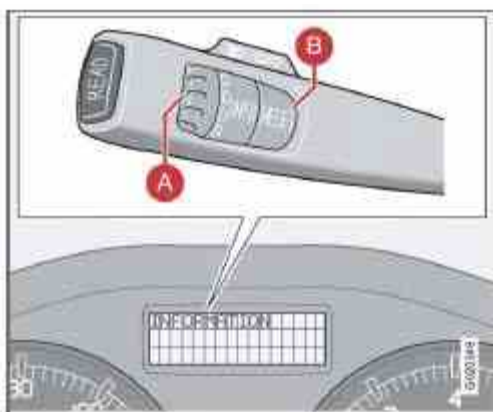
<sup>1</sup>Option on certain models.

### Traction control - TC

This function is designed to help reduce wheel spin by transferring power from a drive wheel that begins to lose traction to the wheel on the opposite side of the vehicle (on the same axle).

TC is most active at low speeds.

This is one of the stability system's permanent functions and cannot be switched off.



Controls on the left-side steering wheel lever

- A - thumbwheel
- B - **RESET** button

## Spin control (SC)

The spin control function is designed to help prevent the drive wheels from spinning while the vehicle is accelerating.


Under certain circumstances, such as when driving with snow chains, or driving in deep snow or loose sand, it may be advisable to temporarily switch off this function for maximum tractive force<sup>1</sup>.

<sup>1</sup>Models equipped with All Wheel Drive (AWD) have an integrated traction control function that cannot be disabled. DSTC is optional on AWD models.

### Temporarily switching off Spin control

1. Turn the thumbwheel (A) on the left-side steering wheel lever until the STC/DSTC menu is displayed.
2. Hold down the **RESET** button (B) to toggle between STC/DSTC SPIN CONTROL ON or OFF.

#### NOTE

- The message STC/DSTC SPIN CONTROL OFF indicates that the stability system's spin control function has temporarily been switched off.
- The stability control indicator light  will illuminate and remain on until spin control has been reactivated.
- The spin control function is automatically enabled each time the engine is started.
- STC/DSTC ON indicates that all system functions are active.

### Active yaw control - AYC (DSTC only)

This function helps maintain directional stability, for example when cornering, by braking one or more of the wheels if the vehicle shows a tendency to skid or slide laterally.



## Stability system

This is one of the stability system's permanent functions and cannot be switched off.

#### WARNING

The car's handling and stability characteristics will be altered if the STC/DSTC system functions have been disabled.

### STC/DSTC-related messages in the text window

- "TRACTION CONTROL TEMPORARILY OFF" - The system has been temporarily switched off due to high brake temperature and will automatically switch on again when the brakes have cooled.
- "ANTI SKID SERVICE REQUIRED" - the system has been automatically disengaged due to a fault. A trained and qualified Volvo service technician should check the system.

### Symbols in the instrument panel



#### The Stability Control indicator light

This light indicates different conditions, depending on how it illuminates.

The Stability Control indicator light illuminates for approximately 2 seconds

This indicates that the system is performing a self-diagnostic test when the ignition is switched on.

The Stability Control indicator light flashes

This indicates that the stability system is actively functioning to help counteract wheel spin and/or a skid.

The Stability Control indicator light glows steadily

"ANTI SKID SERVICE REQUIRED" will be displayed in the text window at the same time.

A fault is indicated in the stability system.

1. Stop the vehicle in a safe place and switch off the engine.
2. Restart the engine.
3. If the indicator light goes out, the fault was temporary and no further action is required.
4. If the indicator light remains on, drive to an authorized Volvo workshop as soon as possible to have the system checked.

The Stability Control indicator light glows steadily

If "STC/DSTC SPIN CONTROL OFF" is displayed in the text window at the same time, this is a reminder that spin control has been disabled by the driver.

### The warning symbol



The warning symbol glows steadily yellow

The system has been temporarily switched off due to high brake temperature. "TRACTION CONTROL TEMPORARILY OFF" will be displayed. The system will automatically switch on again when the brakes have cooled.



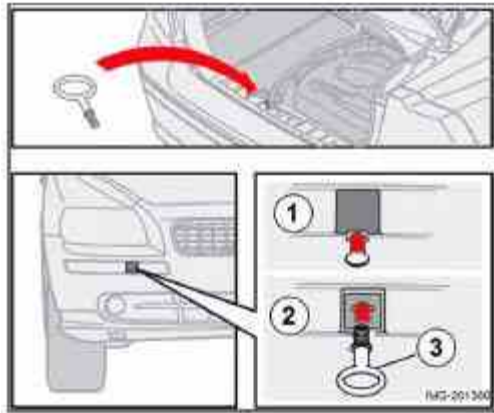
### WARNING

The stability system is intended to help improve driving safety. It supplements, but can never replace, the driver's judgement and responsibility when operating the vehicle. Speed and driving style should always be adapted to traffic and road conditions.



## Towing

### Emergency towing



The towing eyelet is located under the floor of the cargo area. This eyelet must be screwed into the positions provided on the right sides of either the front or rear bumper (see illustrations).

**To attach the towing eyelet:**

1. Press the mark on the lower edge of the cover (1) to open it.
2. Screw the towing eyelet in place first by hand and then using the tire iron until it is securely in place.

After the vehicle has been towed, the eyelet should be removed and returned to the tool bag. Press the cover back into position.

**Towing a vehicle with all four wheels on the ground**

**WARNING**

Volvo does not recommend towing a disabled vehicle behind another vehicle. Significant difficulty in steering and braking, combined with unfavorable weather, traffic, and road conditions may make it impossible to maintain vehicle control.

1. Apply the parking brake.
2. Insert the key into the ignition to unlock the steering wheel. The steering wheel must be unlocked. With the engine off and the vehicle at a standstill, great effort will be required to turn the steering wheel.

**WARNING**

Towing a vehicle with a locked steering wheel will make the vehicle impossible to steer.

3. Turn the ignition key to position II.
4. Place the gear selector in neutral. For vehicles with automatic transmissions, follow instruction on [page 145](#), "Shiftlock override" to allow the gear selector to be moved from the Park position.
5. Keep firm pressure on the brake pedal while releasing the parking brake.
6. When towing has been completed, return the gear selector to Park (automatic) or Reverse (manual) and apply the parking brake.

**The following points should also be observed:**

- **Never exceed 50 mph (80 km/h).** Never exceed local towing speed limits and heed all local towing restrictions.

**Never tow farther than 50 miles (80 km).**

- Keep the tow rope taut at all times while the vehicle is in motion.
- The disabled vehicle should be towed in the forward direction only.



## Towing

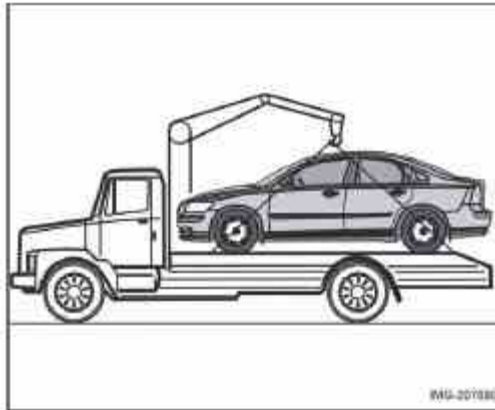
### WARNING

- Never allow a vehicle to be towed without a driver behind the wheel of the disabled vehicle.
- Never remove the key from the ignition while the vehicle is moving. The steering wheel could lock, making it impossible to steer the vehicle.
- When the engine is not running, steering resistance and the effort needed to apply the brakes will be great.
- Never attempt to tow a vehicle with a dead battery at night.

### CAUTION

- Check with state and local authorities before attempting this type of towing, as vehicles being towed are subject to regulations regarding maximum towing speed, length and type of towing device, lighting, marker flags, etc.
- Never attempt to push- or tow-start a vehicle with a dead battery. This would inject unburned fuel into the three-way catalytic converter(s), causing overheating, backfiring, and damage. See [page 153](#) for instructions on jump starting the vehicle.

## Towing vehicles with front wheel drive



Volvo recommends the use of flat bed equipment for towing vehicles with front wheel drive. If wheel lift equipment must be used, please use extreme caution to help avoid damage to the vehicle.

In this case, the vehicle should be towed with the rear wheels on the ground if at all possible.

If it is absolutely necessary to tow the vehicle with the front wheels on the ground, please refer to the towing information on the previous page.

- Sling-type equipment applied at the front will damage radiator and air conditioning lines.
- It is equally important not to use sling-type equipment at the rear or apply lifting equipment inside the rear wheels; serious damage to the rear axle may result.
- If the vehicle is being towed on a flat bed truck, the towing eyelets must not be used to secure the vehicle on the flat bed. Consult the tow truck operator.

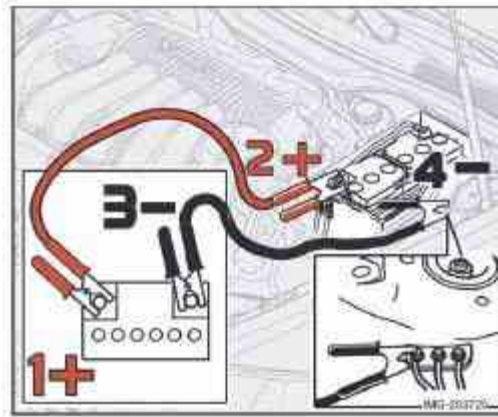


## WARNING

- Remember that the power brakes and power steering will not function when engine is not running. The braking and steering systems will function but the brake pedal pressure required is 3 - 5 times above normal and greater steering effort must be exerted.
- The towing eyelets must not be used for pulling the vehicle out of a ditch or for any similar purpose involving severe strain. Do not use the towing eyelets to pull the vehicle up onto a flat bed tow truck.



## Jump starting



Follow these instructions to jump start your vehicle's dead battery or to jump start another vehicle's dead battery using your vehicle. If the 12-volt auxiliary battery to be used is in another vehicle, check that the vehicles are not touching to prevent premature completion of a circuit. Be sure to follow jump starting instructions provided for the other vehicle.

To jump start your vehicle:

1. Switch off the ignition.
2. First connect the auxiliary battery positive (+) terminal (1) to the positive (+) terminal in your vehicle's battery (2), marked with a "+" sign.
3. Connect the auxiliary battery's negative (-) terminal (3) to the ground point in your vehicle's engine compartment near the driver's side spring strut (4).
4. Start the engine in the assisting vehicle, then start the engine in the vehicle with dead battery.
5. After the engine has started, first remove the negative (-) terminal jumper cable. Then remove the positive (+) terminal jumper cable.



## WARNING

### PROPOSITION 65 WARNING!

Battery posts, terminals, and related accessories contain lead and lead compounds, chemicals known to the state of California to cause cancer and reproductive harm. Wash hands after handling.



## WARNING

- Do not connect the jumper cable to any part of the fuel system or to any moving parts. Avoid touching hot manifolds.
- Batteries generate hydrogen gas, which is flammable and explosive.
- Battery fluid contains sulfuric acid. Do not allow battery fluid to contact eyes, skin, fabrics or painted surfaces. If contact occurs, flush the affected area immediately with water. Obtain medical help immediately if eyes are affected.
- Never expose the battery to open flame or electric spark.
- Do not smoke near the battery.
- Failure to follow the instructions for jump starting can lead to personal injury.
- Do not touch the jumper cables during the attempt to start the vehicle. This could cause sparks.



## Towing a trailer

### General information

- Volvo recommends the use of Volvo trailer hitches that are specially designed for the vehicle.

#### CAUTION

Models equipped with the B5244S7 engine (engine code 39, which is the 6th and 7th digits from the left in your vehicle's VIN number, see [page 249](#) for the location of the VIN plate), may not be used to tow trailers or vehicles of any kind. This could cause damage to the vehicle's emission control systems.

Maximum trailer weights recommended by Volvo are:

- **Trailers without brakes:** 1,540 lbs (700 kg).
- **Trailers with brakes:** 2,000 lbs (900 kg) Observe the legal requirements of the state/province in which the vehicles are registered.
- **The maximum recommended hitch tongue load** is 165 lbs (75 kg).
- All Volvo models are equipped with energy-absorbing shock-mounted bumpers. Trailer hitch installation should not interfere with the proper operation of this bumper system.

Trailer towing does not normally present any particular problems, but take into consideration:

- Increase tire pressure to recommended full. See the chapter "Wheels and tires."
- When your vehicle is new, avoid towing heavy trailers during the first 620 miles (1,000 km).
- Maximum speed when towing a trailer: 50 m.p.h. (80 km/h).
- Engine and transmission are subject to increased loads. Therefore, engine coolant temperature should be closely watched when driving in hot climates or hilly terrain. Use a lower gear and turn off the air conditioner if the temperature gauge needle enters the red range.
- If the automatic transmission begins to overheat, a message will be displayed in the information display.
- Avoid overload and other abusive operation.
- Hauling a trailer affects handling, durability, and economy.
- It is necessary to balance trailer brakes with the towing vehicle brakes to provide a safe stop (check and observe state/local regulations).
- Do not connect the trailer's brake system directly to the vehicle's brake system.
- More frequent vehicle maintenance is required.
- Remove the ball and drawbar assembly when the hitch is not being used.
- Volvo recommends the use of synthetic engine oil when towing a trailer over long distances or in mountainous areas.

## WARNING

- Bumper-attached trailer hitches must not be used on Volvos, nor should safety chains be attached to the bumper.
- Trailer hitches attaching to the vehicle's rear axle must not be used.
- Never connect a trailer's hydraulic brake system directly to the vehicle brake system, nor a trailer's lighting system directly to the vehicle lighting system. Consult your nearest trained and qualified Volvo service technician for correct installation.
- When towing a trailer, the trailer's safety wire must be correctly fastened to the hole or hook provided in the trailer hitch on the vehicle. The safety wire should never be fastened to or wound around the drawbar ball.

155 06 Starting and driving



## Towing a trailer

### NOTE

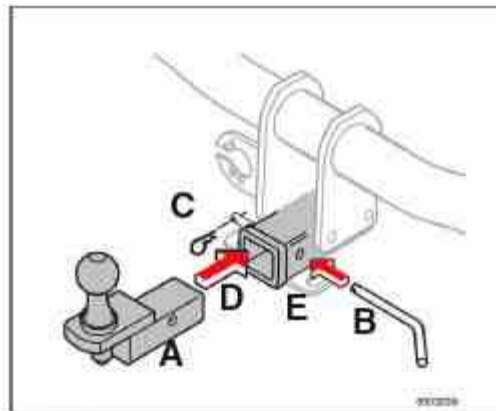
- When parking the vehicle with a trailer on a hill, apply the parking brake before putting the gear selector in Park (P) or in reverse on models with a manual transmission. Always follow the trailer manufacturer's recommendations for wheel chocking.
- If you use the manual (Geartronic) shift positions while towing a trailer, or if the vehicle is equipped with a manual transmission, make sure the gear you select does not put too much strain on the engine (using too high a gear).
- The drawbar assembly/trailer hitch may be rated for trailers heavier than the vehicle is designed to tow. Please adhere to Volvo's recommended trailer weights.
- Avoid driving with a trailer on inclines exceeding 15%.

156 06 Starting and driving



## Detachable trailer hitch

### Installing the ball holder



A - ball holder (1 7/8" ball), B - locking bolt, C - cotter pin, D - hitch assembly, E - safety wire attachment

1. If necessary, remove the cotter pin from the locking bolt and slide the locking bolt out of the hitch assembly.
2. Slide the ball holder into the hitch assembly.



3. Align the hole in the ball holder with the one in the hitch assembly.
4. Slide the locking bolt through the hitch assembly/ball holder.
5. Insert the cotter pin in the hole at the end of the locking bolt.

### Removing the ball holder

1. Remove the cotter pin from the locking bolt and slide the locking bolt out of the ball holder/hitch assembly.
2. Pull the ball holder out of the hitch assembly.

#### NOTE

A cover for the hitch assembly is also included in the kit.



## Transporting loads

### Loading the car

Your vehicle's load-carrying capacity is affected by factors such as:

- the number of passengers
- tire inflation
- the amount of optional or accessory equipment installed
- the amount of cargo

See the chapter "Wheels and tires" for more detailed information.

Before loading the car, turn off the engine, and apply the parking brake when loading or unloading long objects. The gear selector can be inadvertently knocked out of position by long cargo, causing the car to move.

### Keep the following in mind when loading the vehicle:

- Load the cargo in the cargo area against the rear seat backrest.
- Load heavy cargo as low as possible.
- Center wide loads.
- Secure all cargo with restraining straps anchored to the load securing eyelets.
- Cover sharp edges on the load.
- Seats can be folded down and head restraints removed to extend the cargo compartment. See [page 107](#).

#### WARNING

- Remember that an object weighing 44 lbs (20 kg) produces a force of 2,200 lbs (1,000 kg) in a head-on collision at 30 m.p.h. (50 km/h)!
- When the rear backrest(s) are folded down, the vehicle should not be loaded to a level higher than 2 in. (5 cm) below the upper edge of the rear side windows. Objects placed higher than this level could impede the function of the Volvo Inflatable Curtain.

### Load carriers (accessory)

Load carriers are available as Volvo accessories. Follow the installation instructions supplied with the load carriers.

Observe the following points when using load carriers:

- To avoid damaging your car and to achieve maximum safety when driving, we recommend using the load carriers that Volvo has developed especially for your car.
- Volvo-approved removable roof racks are designed to carry the maximum allowable roof load for this vehicle: 165 lbs (75 kg). For Non-Volvo roof racks, check the manufacturer's weight limits for the rack.
- Never exceed the rack manufacturer's weight limits and never exceed the maximum rated roof load of 165 lbs (75 kg).
- Avoid single-point loads. Distribute loads evenly.
- Place heavier cargo at the bottom of the load.
- Secure the cargo correctly with appropriate tie-down equipment.
- Check periodically that the load carriers and load are properly secured.
- Remember that the car's center of gravity and handling change when you carry a load on the roof.
- The car's wind resistance and fuel consumption will increase with the size of the load.
- Drive smoothly. Avoid rapid starts, fast cornering and hard braking.



## Blind Spot Information System (BLIS)-option

### Introduction



1. BLIS camera

2. Indicator light

3. BLIS symbol

The Blind Spot Information System (BLIS) is an information system that indicates the presence of another vehicle moving in the same direction as your vehicle in the sideview mirror's "blind area."



### CAUTION

The BLIS system should only be repaired by a trained and qualified Volvo service technician.



### WARNING

- BLIS is an information system, NOT a warning or safety system.

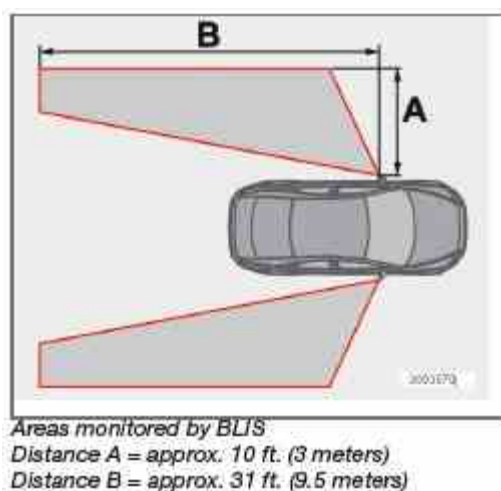
- BLIS does not eliminate the need for you to visually confirm the conditions around you, and the need for you to turn your head and shoulders to make sure that you can safely change lanes.
- As the driver, you have full responsibility for changing lanes in a safe manner.

The system is based on digital camera technology. The cameras (1) are located beneath the side-view mirrors.

When one (or both) of the cameras have detected a vehicle in the blind area (up to approximately 10 ft. (3 meters) from the side of your vehicle, and up to approximately 31 ft. (9.5 meters) behind the side-view mirror), the indicator light in the door panel (2) illuminates. The light will glow continuously to alert the driver of the vehicle in the blind area.

#### NOTE

The door panel indicator light illuminates on the side of the vehicle where the system has detected another vehicle. If your vehicle is passed on both sides at the same time, both lights will illuminate.



BLIS has an integrated function that alerts the driver if a fault should occur with the system. For example, if one or both of the system's cameras are obscured, a message (see the table on [page 161](#)) will appear in the information display in the instrument panel. If this occurs, clean the camera lenses. If necessary, the system can be temporarily switched off (for instructions, see [page 161](#)).



## Blind Spot Information System (BLIS)-option

### When does BLIS function

The system functions when your vehicle is moving at speeds above 6 mph (10 km/h).

When you pass another vehicle:

The system reacts when you pass another vehicle at a speed of up to 6 mph (10 km/h) faster than that vehicle.

When you are passed by another vehicle:

The system reacts if your vehicle is passed by another vehicle at a speed of up to 43 mph (70 km/h) faster than your vehicle.

#### WARNING

- BLIS does not function in sharp curves.
- BLIS does not function when your vehicle is backing up.
- If you are towing a wide trailer, this may prevent the BLIS cameras from detecting other vehicles in adjacent lanes.

## How BLIS functions in daylight and darkness

### Daylight

BLIS reacts to the **shape** of surrounding vehicles. The system is designed to help detect motor vehicles such as cars, trucks, buses, motorcycles, etc.

### Darkness

BLIS reacts to the **headlights** of surrounding vehicles. In order to be detected by BLIS, a vehicle in the blind area must have its headlights on. This means, for example, that the system will not detect a trailer without headlights that is being towed behind a car or truck.

## WARNING

- BLIS does not react to cyclists or mopeds.
- BLIS does not react to vehicles that are standing still.
- The function of the BLIS cameras may be affected by intense light, or when driving at night in areas where there are no external sources of light (e.g., street lights, other vehicles, etc.). In such cases, the system may react as if the cameras were obscured.
- In both of the above mentioned conditions, a message will appear in the information display.
- When driving in such conditions, the system's function will be limited or it may be temporarily switched off. See [page 161](#) for instructions.
- When the message is no longer displayed, BLIS will return to normal function.
- The BLIS cameras have the same limitation as the human eye. In other words, their "vision is impaired" by adverse weather conditions such as heavy snowfall, dense fog, etc.



## Blind Spot Information System (BLIS)-option

### Limitations

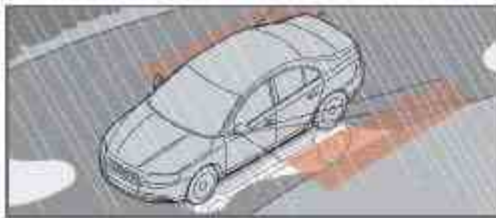
In certain situations, the BLIS indicator light(s) may illuminate even when there are no other vehicles in the area monitored by the system.

## NOTE

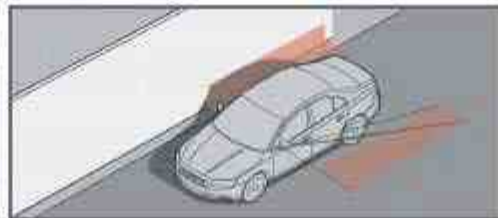
If the BLIS indicator lights illuminate occasionally even when there are no other vehicles in the blind area, this does not indicate a fault in the system.

In the event of a fault, *Blind spot syst. service required* will be displayed.

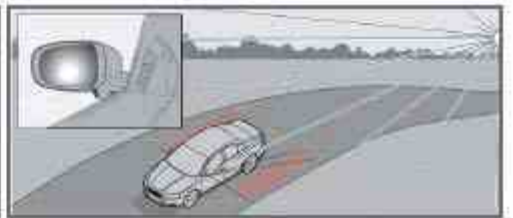
The following are several examples of situations in which the BLIS indicator light(s) may illuminate even when there are no other vehicles in the area monitored by the system.



Light reflected from a wet road surface



The vehicle's own shadow against a large, light, smooth surface such as barriers between lanes on a highway



Sunlight directly in the camera when the sun is low on the horizon

### Cleaning the BLIS camera lenses

In order to function optimally, the BLIS camera lenses must be kept clean. They can be wiped clean with a soft cloth or wet sponge.



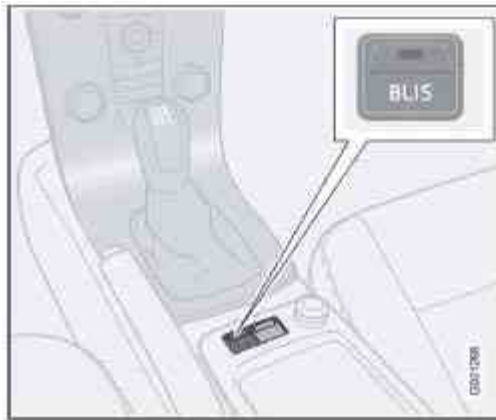
#### CAUTION

- Clean the lenses carefully to avoid scratching.
- The lenses are electrically heated to help melt ice or snow. If necessary, gently brush away snow from the lenses.



## Blind Spot Information System (BLIS)-option

### Switching BLIS on and off



BLIS is automatically activated when the ignition is switched on. The indicator lights will provide confirmation by flashing 3 times.

- The system can be switched off by pressing the BLIS button in the center console. The indicator light in the button goes out when the system is switched off, and a text message is displayed.
- BLIS can be switched on again by pressing the button. The indicator light in the button will illuminate and a new text message will be displayed. Press the READ button (see [page 56](#)) to erase the message.

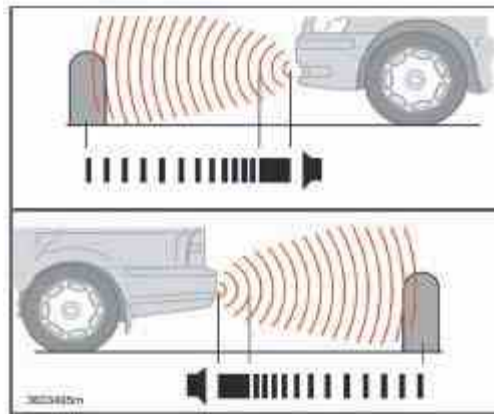
### BLIS system messages

Text in the display	System status
BLIS service required	BLIS not functioning properly. Contact an authorized Volvo service technician.
BLIS camera blocked	BLIS camera obscured. Clean the lenses.
BLIS ON	BLIS system on
BLIS OFF	BLIS system off
BLIS reduced function	The BLIS cameras' function has been reduced by e.g., fog, or strong sunlight directly into the camera. The camera will reset itself when these conditions have changed, have been function reduced



## Park assist (option/accessory)

### Introduction



Front/rear park assist

The park assist system is designed to assist you when driving into parking spaces, garages, etc. It utilizes four ultrasound sensors located in one or both bumpers to measure the distance to a vehicle, object, or a person who may be close to the front or rear of your vehicle.

Park assist is available in two versions:

- Rear bumper only
- Front and rear bumpers

### WARNING

Park Assist is an information system, NOT a safety system. This system is designed to be a supplementary aid when parking the vehicle. It is not, however, intended to replace the driver's attention and judgement.

### Function

The system is activated automatically when the vehicle is started. The indicator light in the button in the center console illuminates.

- The front park assist system is active from the time the engine is started until the vehicle exceeds a speed of approximately 10 mph (15 km/h). It is also active when the vehicle is backing up.
- Rear park assist is active when the engine is running and reverse gear has been selected.

### Rear park assist

The distance monitored behind the vehicle is approximately 5 ft (1.5 m). The signal comes from the rear speakers.

The system must be deactivated when towing a trailer, carrying bicycles in a rear-mounted carrier, etc, which could trigger the rear park assist system's sensors.

#### NOTE

Rear park assist is deactivated automatically when towing a trailer if Volvo genuine trailer wiring is used.

### Front park assist

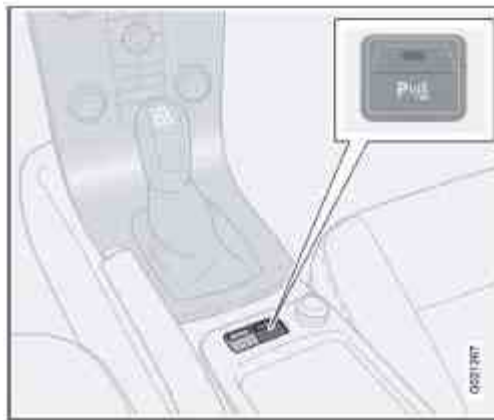
The distance monitored in front of the vehicle is approximately 2.5 ft (0.8 m). The audible signal comes from the audio system's front speakers.

It may not be possible to combine auxiliary headlights and front park assist since these lights could trigger the system's sensors.



## Park assist (option/accessory)

### Activating/deactivating park assist



The system is activated automatically when the vehicle is started.

- If the vehicle is equipped with **both front and rear park assist**, press the park assist button on the center console (see the illustration) to temporarily turn off (deactivate) the systems. The indicator light in the button will go out when the system has been switched off.
- If the vehicle is equipped with **rear park assist only**, a message will be displayed when reverse gear is selected showing if the system is on or off. Press **EXIT** to turn rear park assist off, or **ENTER** to turn the system on.
- Park assist will be automatically reactivated the next time the engine is started, or if the button is pressed (the indicator light in the button will illuminate).

## **i** NOTE

- Front park assist is disengaged automatically when the parking brake is applied.
- If the vehicle is equipped with front and rear park assist, both systems will be deactivated by pressing the button.

### **Audible signals from the park assist system**

The Park Assist system uses an intermittent tone that pulses faster as you come close to an object, and becomes constant when you are within approximately 1 ft (30 cm) of an object in front of or behind the vehicle. If the volume of another source from the audio system is high, this will be automatically lowered.

If there are objects within this distance both behind and in front of the vehicle, the signal alternates between front and rear speakers.

### **Faults in the system**



If the information symbol illuminates and **PARK ASSIST SERVICE REQUIRED** is shown on the information

display, this indicates that the system is not functioning properly and has been disengaged. Consult a trained and qualified Volvo service technician.

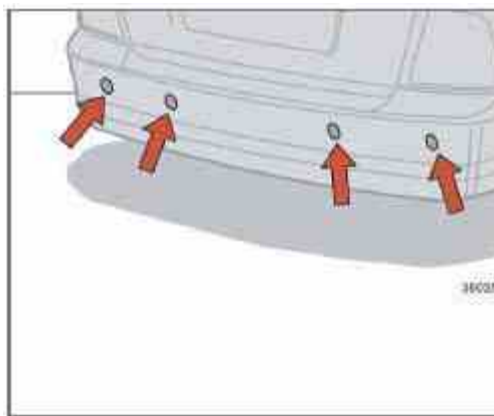
## **i** CAUTION

In certain circumstances, the park assist system may give unexpected warning signals that can be caused by external sound sources that use the same ultrasound frequencies as the system. This may include such things as the horns of other vehicles, wet tires on asphalt, pneumatic brakes, motorcycle exhaust pipes, etc. This does not indicate a fault in the system.



## **Park assist (option/accessory)**

### **Cleaning the sensors**



The sensors must be cleaned regularly to ensure that they work properly. Clean them with water and a suitable car washing detergent.

## **i** NOTE



If the sensors are obstructed by e.g., dirt, snow, or ice, this could result in false warning signals from the park assist system.



This page left intentionally blank.



[Contents](#) | [Top of Page](#)

# 2008 VOLVO S40

## 166 07 Wheels and tires



General information	<a href="#">168</a>
Tire inflation	<a href="#">170</a>
Tire designations	<a href="#">174</a>
Glossary of tire terminology	<a href="#">176</a>
Vehicle loading	<a href="#">177</a>
Uniform tire quality gradings	<a href="#">179</a>
Snow chains, snow tires, studded tires	<a href="#">180</a>
Temporary spare	<a href="#">181</a>
Wheel nuts	<a href="#">182</a>
Tire rotation	<a href="#">183</a>
Changing a wheel	<a href="#">184</a>
Tire Pressure Monitoring System (TPMS)	<a href="#">187</a>

## 167 07 Wheels and tires



## 168 07 Wheels and tires



### General information

Your vehicle is equipped with tires according to the vehicle's tire information placard on the B-pillar (the structural member at the side of the vehicle, at the rear of the driver's door opening), or on the inside of the fuel filler door on Canadian models.

The tires have good road holding characteristics and offer good handling on dry and wet surfaces. It should be noted however that the tires have been developed to give these features on snow/ice-free surfaces.

Certain models are equipped with "all-season" tires, which provide a somewhat higher degree of road holding on slippery surfaces than tires without the "all-season" rating. However, for optimum road holding on icy or snow-covered roads, we recommend suitable winter tires on all four wheels.

When replacing tires, be sure that the new tires are the same size designation, type (radial) and preferably from the same manufacturer, on all four wheels. Otherwise there is a risk of altering the car's roadholding and handling characteristics.

### Storing wheels and tires

When storing complete wheels (tires mounted on rims), they should be suspended off the floor or placed on their sides on the floor.

Tires not mounted on rims should be stored on their sides or standing upright, but should not be suspended.

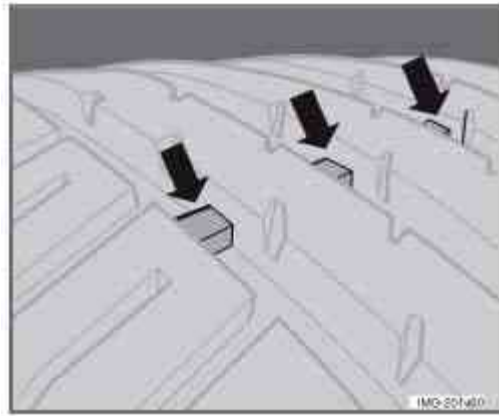
#### WARNING

Tires should preferably be stored in a cool, dry, dark place, and should never be stored in close proximity to solvents, gasoline, oils, etc.

#### WARNING

- The wheel and tire sizes for your Volvo are specified to meet stringent stability and handling requirements. Unapproved wheel/tire size combinations can negatively affect your vehicle's stability and handling. Approved tire sizes are shown in the Tire inflation pressure tables on [pages 172 and 173](#).
- Any damage caused by installation of unapproved wheel/tire size combinations will not be covered by your new vehicle warranty. Volvo assumes no responsibility for death, injury, or expenses that may result from such installations.

### Tread wear indicator



The tires have wear indicator strips running across or parallel to the tread. The letters TWI are printed on the side of the tire. When approximately 1/16" (1.6 mm) is left on the tread, these strips become visible and indicate that the tire should be replaced. Tires with less than 1/16" (1.6 mm) tread offer very poor traction.

When replacing worn tires, it is recommended that the tire be identical in type (radial) and size as the one being replaced. Using a tire of the same make (manufacturer) will prevent alteration of the driving characteristics of the vehicle.



### General information

## New Tires

Remember that tires are perishable goods. As of 2000, the manufacturing week and year (Department of Transportation (DOT) stamp) will be indicated with 4 digits (e.g. 1502 means that the tire illustrated was manufactured during week 15 of 2002).

## Tire age

Tires degrade over time, even when they are not being used. It is recommended that tires generally be replaced after 6 years of normal service. Heat caused by hot climates, frequent high loading conditions or Ultra Violet (U.V) exposure can accelerate the aging process.

You should replace the spare tire when you replace the other road tires due to the aging of the spare.

A tire's age can be determined by the DOT stamp on the sidewall (see the illustration).

A tire with e.g., visible cracks or discoloration should be replaced immediately.

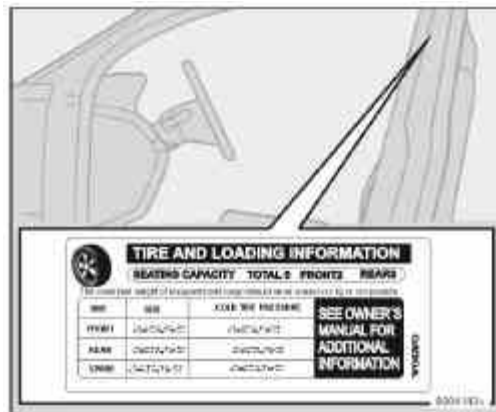
## Improving tire economy:

- Maintain correct tire pressure. See the tire pressure tables beginning on [page 172](#).
- Drive smoothly: avoid fast starts, hard braking and tire screeching.
- Tire wear increases with speed.
- Correct front wheel alignment is very important.
- Unbalanced wheels impair tire economy and driving comfort.
- Tires must maintain the same direction of rotation throughout their lifetime.
- When replacing tires, the tires with the most tread should be mounted on the rear wheels to reduce the chance of oversteer during hard braking.
- Hitting curbs or potholes can damage the tires and/or wheels permanently.



## Tire inflation

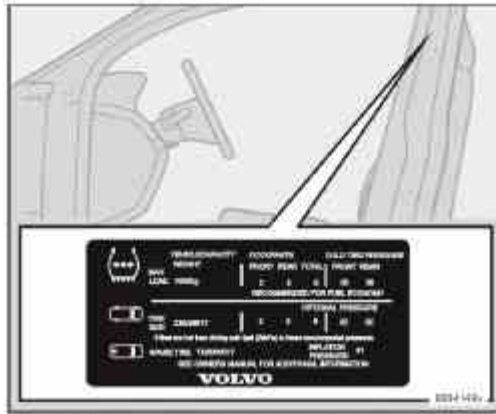
### Inflation placards



*Tire inflation placard on U.S. models*

Check tire inflation pressure regularly.

Tables listing the recommended inflation pressure for your vehicle can be found on [pages 172 and 173](#). A tire inflation pressure placard is also located on the driver's side B-pillar (the structural member at the side of the vehicle, at the rear of the driver's door opening). This placard indicates the designation of the factory-mounted tires on your vehicle, as well as load limits and inflation pressure.



Tire inflation placard on Canadian models

## NOTE

The placards shown indicate inflation pressure for the tires installed on the car at the factory only.

Use a tire gauge to check the tire inflation pressure, including the spare, at least once a month and before long trips. You are strongly urged to buy a reliable tire pressure gauge, as automatic service station gauges may be inaccurate.

Use the recommended cold inflation pressure for optimum tire performance and wear.

Under-inflation or over-inflation may cause uneven treadwear patterns.

## WARNING

- Under-inflation is the most common cause of tire failure and may result in severe tire cracking, tread separation, or "blowout," with unexpected loss of vehicle control and increased risk of injury.
- Under-inflated tires reduce the load carrying capacity of your vehicle.

When weather temperature changes occur, tire inflation pressures also change. A 10-degree temperature drop causes a corresponding drop of 1 psi (7 kPa) in inflation pressure. Check your tire pressures frequently and adjust them to the proper pressure, which can be found on the vehicle's tire information placard or certification label.

### Checking tire pressure

#### Cold tires

Inflation pressure should be checked when the tires are cold.

**The tires are considered to be cold when they have the same temperature as the surrounding (ambient) air.**



## Tire inflation

This temperature is normally reached after the car has been parked for at least 3 hours.

After driving a distance of approximately 1 mile (1.6 km), the tires are considered to be hot. If you have to drive farther than this distance to pump your tire(s), check and record the tire pressure first and add the appropriate air pressure when you get to the pump.

If checking tire pressure when the tire is hot, never "bleed" or reduce air pressure. The tires are hot from driving and it is normal for pressures to increase above recommended cold pressures. A hot tire at or below recommended cold inflation pressure could be significantly under-inflated.

### To check inflation pressure:

1. Remove the cap from the valve on one tire, then firmly press the tire gauge onto the valve.
2. Add air to reach the recommended air pressure
3. Replace the valve cap.
4. Repeat this procedure for each tire, including the spare.
5. Visually inspect the tires to make sure there are no nails or other objects embedded that could puncture the tire and cause an air leak.
6. Check the sidewalls to make sure there are no gouges, cuts, bulges or other irregularities.

#### NOTE

- If you overfill the tire, release air by pushing on the metal stem in the center of the valve. Then recheck the pressure with your tire gauge.
- Some spare tires require higher inflation pressure than the other tires. Consult the tire inflation table on [page 172/173](#) or see the inflation pressure placard.
- Tire pressures recommended by Volvo for your vehicle. Refer to the tire inflation placard for information specific to the tires installed on your vehicle at the factory.



## Tire inflation

### Tire inflation pressure tables - U.S. models

The following tire pressures are recommended by Volvo for your vehicle. Refer to the tire inflation placard for information specific to the tires installed on your vehicle at the factory.

Tire size	Cold tire pressure up to five persons psi (kPa)	
	Front	Rear
205/55R16 91V M+S	32 (220)	32 (220)
205/50R17 93V Extra Load M+S	35 (240)	35 (240)
215/45R18 93W Extra load <sup>1</sup>	35 (240)	35 (240)
Temporary spare tire T125/85R16 99M	61 (420)	61 (420)

<sup>1</sup>Tires of this type may not be mounted on vehicles equipped with the optional self-leveling system.

## Load ratings

The load ratings in the tables above translate as follows:

91 = 1365 lbs (615 kg), 93 = 1433 lbs (650 kg), 99 = 1709 lbs (755 kg)

## Speed ratings

The speed ratings in the tables translate as follows:

M = 81 mph (130 km/h), V= 149 mph (240 km/h), W= 168 mph (270 km/h)

See also [page 174](#) for an explanation of the designations on the sidewall of the tire.



## Tire inflation

### Tire inflation pressure tables - Canadian models

The following tire pressures are recommended by Volvo for your vehicle. Refer to the tire inflation placard for information specific to the tires installed on your vehicle at the factory.

Tire size	Cold tire pressures Up to five persons psi (kPa)		Optional pressure Up to three persons <sup>1</sup> psi (kPa)	
	Front	Rear	Front	Rear
205/55R16 91V M+S	36 (250)	36 (250)	30 (210)	30 (210)
205/50R17 93V Extra Load M+S	36 (250)	36 (250)	35 (240)	32 (220)
215/45R16 93W Extra load <sup>2</sup>	36 (250)	36 (250)	35 (240)	32 (220)
Temporary spare tire T125/65R16 99M	61 (420)	61 (420)	61 (420)	61 (420)

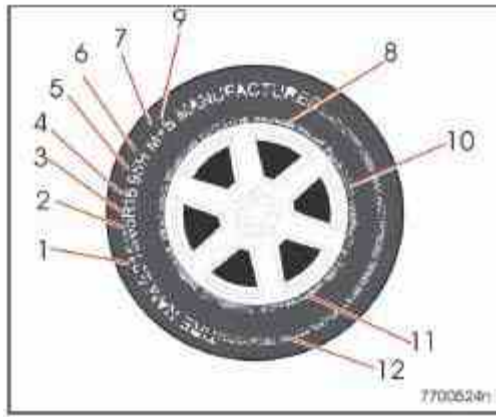
<sup>1</sup>Optional pressure may not be used for homologation of fuel consumption or emissions.

<sup>2</sup>Tires of this type may not be mounted on vehicles equipped with the optional self-leveling system.



## Tire designations

### Tire designations



Federal law mandates that tire manufacturers place standardized information on the sidewall of all tires (see the illustration).

The following information is listed on the tire sidewall:

The tire designation (the following figures are examples of a tire designation):

1. **215**: the width of the tire (in millimeters) from sidewall edge to sidewall edge. The larger the number, the wider the tire.
2. **65**: The ratio of the tire's height to its width.
3. **R**: Radial tire.
4. **15**: The diameter of the wheel rim (in inches).
5. **95**: The tire's load index. In this example, a load index of 95 equals a maximum load of 1521 lbs (690 kg).
6. **H**: The tire's speed rating, or the maximum speed at which the tire is designed to be driven for extended periods of time, carrying a permissible load for the vehicle, and with correct inflation pressure. For example, H indicates a speed rating of 130 mph (210 km/h).

**i NOTE**

This information may not appear on the tire because it is not required by law.

7. **M+S or M/S** = Mud and Snow, **AT** = All Terrain, **AS** = All Season

8. **U.S. DOT Tire Identification Number (TIN)**: This begins with the letters "DOT" and indicates that the tire meets all federal standards. The next two numbers or letters are the plant code where it was manufactured, the next two are the tire size code and the last four numbers represent the week and year the tire was built. For example, the numbers 317 mean the 31st week of 1997. After 2000 the numbers go to four digits. For example, 2501 means the 25th week of 2001. The numbers in between are marketing codes used at the manufacturer's discretion. This information helps a tire manufacturer identify a tire for safety recall purposes.

9. **Tire Ply Composition and Material Used**: Indicates the number of plies indicates or the number of layers of rubber-coated fabric in the tire tread and sidewall. Tire manufacturers also must indicate the ply materials in the tire and the sidewall, which include steel, nylon, polyester, and others.

10. **Maximum Load**: Indicates the maximum load in pounds and kilograms that can be carried by the tire. Refer to the vehicle's tire information placard or the safety certification label, located on the B-Pillar or the driver's door or on the inside of the fuel filler door on Canadian models, for the correct tire pressure for your vehicle.



11. **Treadwear, Traction, and Temperature grades:** See [page 179](#) for more information.

12. **Maximum permissible inflation pressure:** the greatest amount of air pressure that should ever be put in the tire. This limit is set by the tire manufacturer.



## Tire designations

The tire suppliers may have additional markings, notes or warnings such as standard load, radial tubeless, etc.



## Glossary of tire terminology

### Glossary of tire terminology

- **Tire information placard:** A placard showing the OE (Original Equipment) tire sizes, recommended inflation pressure, and the maximum weight the vehicle can carry.
- **Tire Identification Number (TIN):** A number on the sidewall of each tire providing information about the tire brand and manufacturing plant, tire size and date of manufacturer.
- **Inflation pressure:** A measure of the amount of air in a tire.
- **Standard load:** A class of P-metric or Metric tires designed to carry a maximum load at 35 psi [37 psi (2.5 bar) for Metric tires]. Increasing the inflation pressure beyond this pressure will not increase the tires load carrying capability.
- **Extra load:** A class of P-metric or Metric tires designed to carry a heavier maximum load at 41 psi [43 psi (2.9 bar) for Metric tires]. Increasing the inflation pressure beyond this pressure will not increase the tires load carrying capability.
- **kPa:** Kilopascal, a metric unit of air pressure.
- **PSI:** Pounds per square inch, a standard unit of air pressure.
- **B-pillar:** The structural member at the side of the vehicle behind the front door.
- **Bead area of the tire:** Area of the tire next to the rim.
- **Sidewall of the tire:** Area between the bead area and the tread.
- **Tread area of the tire:** Area of the perimeter of the tire that contacts the road when mounted on the vehicle.
- **Rim:** The metal support (wheel) for a tire or a tire and tube assembly upon which the tire beads are seated.
- **Maximum load rating:** a figure indicating the maximum load in pounds and kilograms that can be carried by the tire. This rating is established by the tire manufacturer.
- **Maximum permissible inflation pressure:** the greatest amount of air pressure that should ever be put in the tire. This limit is set by the tire manufacturer.
- **Recommended tire inflation pressure:** inflation pressure, established by Volvo, which is based on the type of tires that are mounted on a vehicle at the factory. This inflation pressure is affected by the number of occupants in the car, the amount of cargo, and the speed at which the vehicle will be driven for a prolonged period. This information can be found on the tire inflation placard(s) located on the driver's side B-pillar or on the inside of the fuel filler door on Canadian models, and in the tire inflation table in this chapter.
- **Cold tires:** The tires are considered to be cold when they have the same temperature as the surrounding (ambient) air. This temperature is normally reached after the car has been parked for at least 3 hours.



## Vehicle loading

## Loading the vehicle

Properly loading your vehicle will provide maximum return of vehicle design performance.

Before loading your vehicle, familiarize yourself with the following terms for determining your vehicle's weight ratings, with or without a trailer, from the vehicle's Federal/Canadian Motor Vehicle Safety Standards (FMVSS/CMVSS) label, and the vehicle's tire information placard:

### **Curb weight**

The weight of the vehicle including a full tank of fuel and all standard equipment. It does not include passengers, cargo, or optional equipment.

### **Capacity weight**

All weight added to the curb weight, including cargo and optional equipment. When towing, trailer hitch tongue load is also part of cargo weight.

#### NOTE

For trailer towing information, please refer to the section "Towing a trailer" on [page 154](#).

### **Permissible axle weight**

The maximum allowable weight that can be carried by a single axle (front or rear). These numbers are shown on the Federal/Canadian Motor Vehicle Safety Standards (FMVSS/CMVSS) label. The total load on each axle must never exceed its maximum permissible weight.

### **Gross vehicle weight (GVW)**

The vehicle's curb weight + cargo + passengers.

#### NOTE

- The location of the various labels in your vehicle can be found on [page 249](#).
- A table listing important weight limits for your vehicle can be found on [page 251](#).

## Steps for Determining Correct Load Limit

- (1) Locate the statement "the combined weight of occupants and cargo should never exceed XXX pounds" on your vehicle's placard.
- (2) Determine the combined weight of the driver and passengers that will be riding in your vehicle.
- (3) Subtract the combined weight of the driver and passengers from XXX kilograms or XXX pounds.
- (4) The resulting figure equals the available amount of cargo and luggage load capacity. For example, if the "XXX" amount equals 1400 lbs. and there will be five 150 lb. passengers in your vehicle, the amount of available cargo and luggage load capacity is 650 lbs. (1400-750 (5 x 150) = 650 lbs.)
- (5) Determine the combined weight of luggage and cargo being loaded on the vehicle. That weight may not safely exceed the available cargo and luggage load capacity calculated in Step 4.
- (6) If your vehicle will be towing a trailer, load from your trailer will be transferred to your vehicle. Consult this manual<sup>1</sup> to determine

<sup>1</sup>See "Towing a trailer" on [page 154](#).



## Vehicle loading

how this reduces the available cargo and luggage load capacity of your vehicle.

### WARNING

- Exceeding the permissible axle weight, gross vehicle weight, or any other weight rating limits can cause tire overheating resulting in permanent deformation or catastrophic failure.
- Do not use replacement tires with lower load carrying capacities than the tires that were original equipment on the vehicle because this will lower the vehicle's GVW rating. Replacement tires with a higher limit than the originals do not increase the vehicle's GVW rating limitations.



## Uniform tire quality gradings

### Uniform tire quality gradings

#### **ALL PASSENGER VEHICLE TIRES MUST CONFORM TO FEDERAL SAFETY REQUIREMENTS IN ADDITION TO THESE GRADES**

**Quality grades can be found, where applicable, on the tire sidewall between the tread shoulder and maximum section width. For example:**

**Treadwear 200 Traction AA Temperature A**

#### **TREADWEAR**

The treadwear grade is a comparative rating based on the wear rate of the tire when tested under controlled conditions on a specified government test course. For example, a tire graded 150 would wear one and one half (1 1/2) times as well on the government course as a tire graded 100. The relative performance of tires depends upon the actual conditions of their use, however, and many depart significantly from the norm due to variation in driving habits, maintenance practices and differences in road characteristics and climate.

#### **TRACTION**

The traction grades, from highest to lowest, are AA, A, B, and C, as measured under controlled conditions on specified government test surfaces of asphalt and concrete. A tire marked C may have poor traction performance. The traction grade assigned to this tire is based on braking (straight-ahead) traction tests and is not a measure of cornering (turning) traction.

### WARNING

The traction grade assigned to this tire is based on braking (straight-ahead) traction tests and is not a measure of cornering (turning) traction.

#### **TEMPERATURE**

The temperature grades are AA (the highest), A, B, and C, representing the tire's resistance to the generation of heat and its ability to dissipate heat when tested under controlled conditions on a specified indoor laboratory test wheel. Sustained high temperature can cause the material of the tire to degenerate and reduce tire life, and excessive temperature can lead to sudden tire failure. The grade C corresponds to a minimum level of performance that all

passenger vehicle tires must meet under the Federal Motor Safety Standard No. 109. Grades B and A represent higher levels of performance on the laboratory test wheel than the minimum required by law.

## **WARNING**

The temperature grade for this tire is established for a tire that is properly inflated and not overloaded. Excessive speed, under-inflation, or excessive loading, either separately or in combination, can cause heat buildup and tire failure.

180 07 Wheels and tires



## **Snow chains, snow tires, studded tires**

### **Snow chains**

Snow chains can be used on your Volvo with the following restrictions:

- Snow chains should be installed on front wheels only. Use only Volvo approved snow chains.
- If accessory, aftermarket or "custom" tires and wheels are installed and are of a size different than the original tires and wheels, chains in some cases CANNOT be used. Sufficient clearances between chains and brakes, suspension and body components must be maintained.
- Some strap-on type chains will interfere with brake components and therefore CANNOT be used.
- **All Wheel Drive models:** Snow chains should only be installed on the front wheels. Only chains adapted for AWD models should be used.

Consult your Volvo retailer for additional snow chain information.

## **CAUTION**

- Check local regulations regarding the use of snow chains before installing.
- Always follow the chain manufacturer's installation instructions carefully. Install chains as tightly as possible and retighten periodically.
- Never exceed the chain manufacturer's specified maximum speed limit. (Under no circumstances should you exceed 31 mph (50 km/h).
- Avoid bumps, holes or sharp turns when driving with snow chains.
- The handling of the vehicle can be adversely affected when driving with chains. Avoid fast or sharp turns as well as locked wheel braking.

### **Snow tires, studded tires**

#### **Tires for winter use:**

- Owners who live in or regularly commute through areas with sustained periods of snow or icy driving conditions are strongly advised to fit suitable winter tires to help retain the highest degree of traction.
- It is important to install winter tires on all four wheels to help retain traction during cornering, braking, and accelerating. Failure to do so could reduce traction to an unsafe level or adversely affect handling.
- Do not mix tires of different design as this could also negatively affect overall tire road grip.
- Winter tires wear more quickly on dry roads in warm weather. They should be removed when the winter driving season has ended.
- Studded tires should be run-in 300-600 miles (500-1000 km) during which the car should be driven as smoothly as possible to give the studs the opportunity to seat properly in the tires. The tires should have the same rotational direction throughout their entire lifetime.

## NOTE

Please consult state or provincial regulations restricting the use of studded winter tires before installing such tires.

181 07 Wheels and tires



## Temporary spare

### Temporary spare

The spare tire in your car is called a "Temporary Spare".

Recommended tire pressure (see the placard on the B-pillar or on the fuel filler door) should be maintained irrespective of which position on the car the temporary spare tire is used on.

In the event of damage to this tire, a new one can be purchased from your Volvo retailer.

## WARNING

- Current legislation prohibits the use of the "Temporary Spare" tire other than as a temporary replacement for a punctured tire. It must be replaced as soon as possible by a standard tire. Road holding and handling may be affected with the "Temporary Spare" in use.

## CAUTION

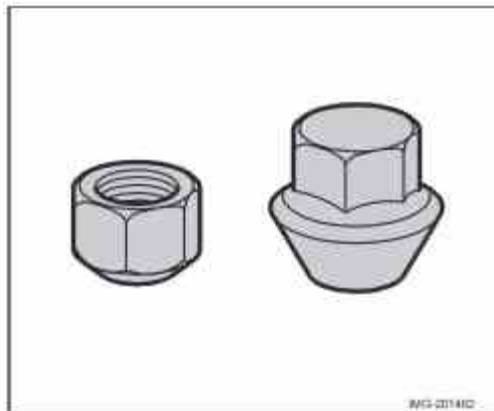
The car must not be driven with wheels of different dimensions or with a spare tire other than the one that came with the car. The use of different size wheels can seriously damage your car's transmission.

182 07 Wheels and tires



## Wheel nuts

### Types of wheel nuts



Low and high wheel nuts

There are two different types of wheel nut, depending on whether the wheels are steel or aluminum.

## Steel rims - low nut

Steel rims are normally secured using the low type of nut, although steel rims may also use the high type.

### WARNING

Never use the short type of nut for aluminum wheels. This could cause the wheel to come loose.

## Aluminum wheels - high nut

Only the high type of nut can be used for aluminum wheels. This is considerably different from other types of nut because it has a rotating conical thrust washer.

### NOTE

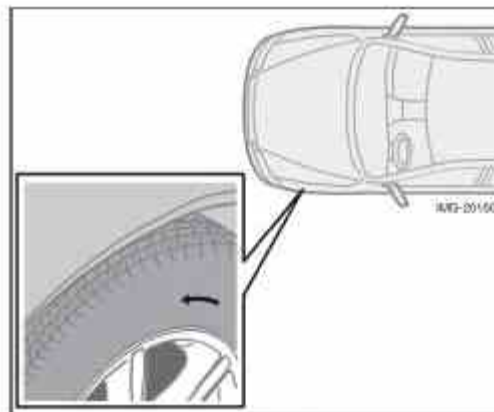
This nut can also be used on steel wheels.

## Lockable wheel nut

If steel wheels with lockable wheel nuts are used in combination with wheel covers, the lockable wheel nut must be fitted to the stud nearest the air valve. The wheel cover cannot otherwise be installed on the wheel.



## Tire rotation



The arrows shows the direction of rotation of the tire

## Summer and winter tires

- When switching between summer and winter tires, mark the tires to indicate where they were mounted on the car, e.g. LF = left front, RR = right rear
- Tires with tread designed to roll in only one direction are marked with an arrow on the sidewall.
- Incorrectly mounted tires impair the car's braking properties and ability to force aside rain, snow and slush.
- The tires with the most tread should always be at the rear (to reduce the risk of skidding).
- Contact a Volvo workshop if you are unsure about the tread depth.

## Tire rotation

Your vehicle has no recommended tire rotation. The following information is intended to help you understand why.

### Tread set

As a tire ages and the rubber cures, front and rear tires set at different angles. Therefore, if tires are rotated, the tread will eventually set at an angle that is a compromise. Even if ride, handling, and road noise may still seem acceptable,

they may not be optimal. Further, tires that are rotated, but not on a regular basis, may actually cause more tire noise, faster tire wear, and unpleasant changes in steering feel and vehicle handling.

A tire that can fully adapt to its position will provide better steering feel, lower tire noise, and better fuel economy.

#### Braking stability performance

Your vehicle is driven mainly by the front tires, which will wear faster. This can be beneficial. Having more tread on the rear tires will help reduce oversteer. Oversteer is when a vehicle wants to keep turning because of momentum and dynamic forces on its suspension.

#### Suspension wear diagnostics

Every suspension needs periodic inspection and maintenance. A tire's wear pattern can be an aid in detecting a suspension problem. Each tire, if left in place, tells a story about the suspension. Tire rotation, on the other hand, could make suspension wear harder to detect. Early detection is very important, because suspension problems can make tire wear worse.

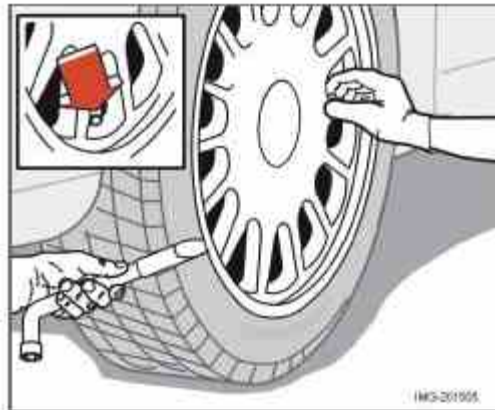
If you do rotate your tires...

Please follow the tire manufacturer's recommendations, as outlined in the tire manufacturer's tire warranty pamphlet.



## Changing a wheel

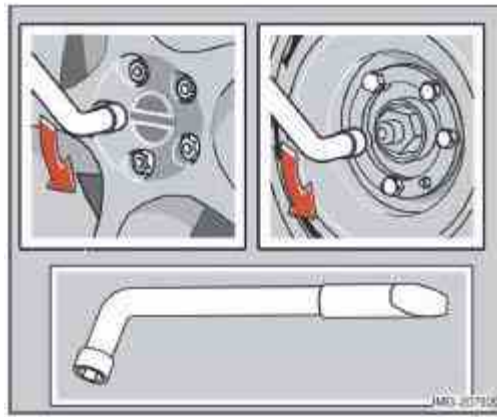
### Changing a wheel



The spare tire, jack, and crank are located under the carpet on the floor of the cargo area.

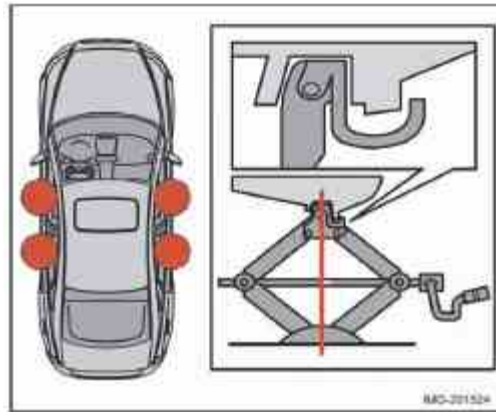
To change a tire:

1. Engage the parking brake.
2. Put the gear selector in Park (**P**).
3. Block the wheels that are on the ground with wooden blocks or large stones.
4. Remove the wheel cap (where applicable) using the lug wrench in the tool bag.



5. With the car still on the ground, use the lug wrench to loosen the wheel nuts 1/2- 1 turn by exerting downward pressure. Turn the nuts counterclockwise to loosen.

6. There are two jack attachment points on each side of the car. Position the jack correctly in the attachment (see illustration above) and crank while simultaneously guiding the base of the jack to the ground. The base of the jack must be flat on a level, firm, non-slippery surface. Before raising the car, check that the jack is still correctly positioned in the attachment.



7. Raise the vehicle until the wheel to be changed is lifted off the ground.

8. Unscrew the wheel bolts completely and carefully remove the wheel so as not to damage the threads on the studs.



## Changing a wheel

### **WARNING**

- The jack must correctly engage the jack attachment.
- Be sure the jack is on a firm, level, non-slippery surface.
- Never allow any part of your body to be extended under a car supported by a jack.
- Use the jack intended for the car when changing a tire. For any other job, use stands to support the car.
- Apply the parking brake and put the gear selector in the Park (**P**) position.
- Block the wheels standing on the ground, use rigid wooden blocks or large stones.
- The jack should be kept well-greased and clean, and should not be damaged.
- No objects should be placed between the base of jack and the ground, or between the jack and the attachment bar on the vehicle.



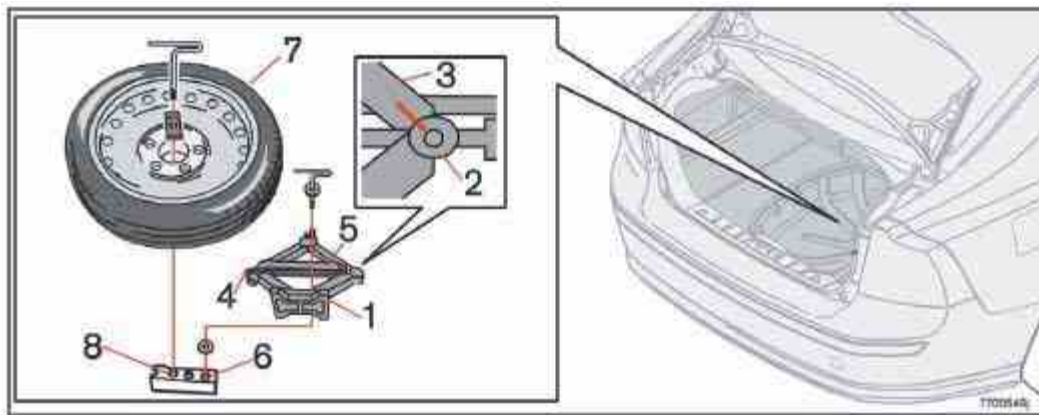
## Installing the wheel

1. Clean the contact surfaces on the wheel and hub.
2. Lift the wheel and place it on the hub.
3. Install the wheel nuts and tighten handtight. Using the lug wrench, tighten crosswise until all nuts are snug.
4. Lower the vehicle to the ground and alternately tighten the bolts crosswise to 96 ft. lbs. (130 Nm).
5. Install the wheel cap (where applicable).



## Changing a wheel

### Returning the jack and spare wheel to the storage space



Returning jack and spare wheel to storage space

1. Crank the jack (1) down approximately halfway until the mark on the washer (2) aligns with the mark on the jack's arm (3).
2. Place the jack in the storage space. Fold in the jack's crank (4) and place the lug wrench (5) on the jack.
3. Screw the jack's retaining pin into hole 6 so that it holds the jack securely in place.
4. Place the spare wheel (7) over the jack.
5. Insert the spare wheel's retaining pin through the center hole in the spare wheel so that it aligns with hole 8. Screw the retaining pin into hole 8 so that it holds the spare wheel securely in place.



## Tire Pressure Monitoring System (TPMS)

### Introduction


The tire pressure monitoring system uses sensors mounted in the tire valves to check inflation pressure levels. When the vehicle is moving at a speed of approximately 20 mph (30 km/h) or faster, these sensors transmit inflation pressure

data to a receiver located in the vehicle.

## NOTE

### **USA - FCC ID: KR5S122780002**

This device complies with part 15 of the FCC rules. Operation is subject to the following conditions: (1) This device may not cause harmful interference, and (2) this device must accept any interference received, including interference that may cause undesired operation.

When low inflation pressure is detected, TPMS will light up the tire pressure warning light () (also referred to as a telltale) in the instrument panel, and will display a message in the text window. The wording of this message is determined by the degree of inflation pressure loss.

## NOTE

If a fault occurs in TPMS, the tire pressure warning light will flash for approximately 1 minute and **TIRE PRESS SYST SERVICE REQUIRED** will be displayed.

Each tire, including the spare (if provided), should be checked monthly when cold and inflated to the inflation pressure recommended by the vehicle manufacturer on the vehicle placard or tire inflation pressure label. (If your vehicle has tires of a different size than the size indicated on the vehicle placard or tire inflation pressure label, you should determine the proper tire inflation pressure for those tires.)

As an added safety feature, your vehicle has been equipped with a tire pressure monitoring system (TPMS) that illuminates a low tire pressure telltale when one or more of your tires is significantly under-inflated. Accordingly, when the low tire pressure telltale illuminates, you should stop and check your tires as soon as possible, and inflate them to the proper pressure. Driving on a significantly under-inflated tire causes the tire to overheat and can lead to tire failure. Under-inflation also reduces fuel efficiency and tire tread life, and may affect the vehicle's handling and stopping ability.

Please note that the TPMS is not a substitute for proper tire maintenance, and it is the driver's responsibility to maintain correct tire pressure, even if under-inflation has not reached the level to trigger illumination of the TPMS low tire pressure telltale.

Your vehicle has also been equipped with a TPMS malfunction indicator to indicate when the system is not operating properly. The TPMS malfunction indicator is combined with the low tire pressure telltale. When the system detects a malfunction, the telltale will flash for approximately one minute and then remain continuously illuminated. This sequence will continue upon subsequent vehicle start-ups as long as the malfunction exists. When the malfunction indicator is illuminated, the system may not be able to detect or signal low tire pressure as intended. TPMS malfunctions may occur for a variety of reasons, including the installation of replacement or alternate tires or wheels on the vehicle that prevent the TPMS from functioning properly. Always check the TPMS malfunction telltale after replacing one or more tires or wheels on your vehicle to ensure that the replacement or alternate tires and wheels allow the TPMS to continue to function properly.



## **Tire Pressure Monitoring System (TPMS)**

## NOTE

- TPMS indicates low tire pressure but does not replace normal tire maintenance. For information on correct tire

pressure, please refer to the tables beginning on [page 172](#).

- The tire pressure warning light will not identify which tire is under-inflated. Be sure to check all four tires.
- A certain amount of air seepage from the tires occurs naturally and tire pressure fluctuates with seasonal changes in temperature. Always check tire pressure regularly.

### Erasing warning messages

When a low tire pressure warning message has been displayed, and the tire pressure warning light has come on:

1. Use a tire pressure gauge to check the inflation pressure of all four tires.
2. Re-inflate the tire(s) to the correct pressure (consult the tire pressure placard or the tables beginning on [page 172](#)).
3. In certain cases, it may be necessary to drive the vehicle for several minutes at a speed of 20 mph (30 km/h) or faster. This will erase the warning text and the warning light will go out.

### WARNING

Incorrect inflation pressure could lead to tire failure, resulting in a loss of control of the vehicle.

### Changing wheels with TPMS

Please note the following when changing or replacing the factory installed TPMS wheels/tires on the vehicle:

- Only the factory-mounted wheels are equipped with TPMS sensors in the valves.
- If the vehicle is equipped with a temporary spare tire, this tire does not have a TPMS sensor.
- If wheels without TPMS sensors are mounted on the vehicle, **TIRE PRESS SYST SERVICE REQUIRED** will be displayed each time the vehicle is driven above 25 mph (40 km/h) for 10 minutes or more.
- Once TPMS sensors are properly installed, the warning message should not reappear. If the message is still displayed, drive the vehicle for several minutes at a speed of 20 mph (30 km/h) or faster to erase the message.
- Volvo recommends that TPMS sensors be fitted on all wheels used on the vehicle. Volvo does not recommend moving sensors back and forth between sets of wheels.

### NOTE

- If you change to tires with a different recommended inflation pressure, the TPMS system must be recalibrated to these tires. This must be done by a trained and qualified Volvo service technician.
- If a tire is changed, or if the TPMS sensor is moved to another wheel, the sensor's seal, nut, and valve core should be replaced.
- When installing TPMS sensors, the vehicle must be parked for at least 15 minutes with the ignition off. If the vehicle is driven within 15 minutes, a TPMS error message will be displayed.

### CAUTION

When inflating tires with TPMS valves, press the pump's mouthpiece straight onto the valve to help avoid bending or otherwise damaging the valve.





# 2008 VOLVO S40

190 08 Car care



Washing and cleaning the car [192](#)

Paint touch up [196](#)

191 08 Car care



192 08 Car care



## Washing and cleaning the car

### Washing the car

The following points should be kept in mind when washing and cleaning the car:

- The car should be washed at regular intervals since dirt, dust, insects and tar spots adhere to the paint and may cause damage. To help prevent corrosion, it is particularly important to wash the car frequently in the wintertime when salt has been used on the roads.
- Avoid washing your car in direct sunlight. Doing so may cause detergents and wax to dry out and become abrasive. To avoid scratching, use lukewarm water to soften the dirt before you wash with a soft sponge, and plenty of sudsy water.
- **Bird droppings:** Remove from paintwork as soon as possible. Otherwise the finish may be permanently damaged.
- A detergent can be used to facilitate the softening of dirt and oil.
- A water-soluble grease solvent may be used in cases of sticky dirt. However, use a wash place equipped with a drainage separator.
- Dry the car with a clean chamois and remember to clean the drain holes in the doors and rocker panels.
- Tar spots can be removed with kerosene or tar remover after the car has been washed.
- A stiff-bristle brush and lukewarm soapy water can be used to clean the wiper blades. Frequent cleaning of the windshield and wiper blades improves visibility considerably and also helps prolong the service life of the wiper blades.
- Wash off the dirt from the underside (wheel housings, fenders, etc).
- In areas of high industrial fallout, more frequent washing is recommended.
- After cleaning the engine, the spark plug wells should be inspected for water and blown dry if necessary.

 **NOTE**

When washing the car, remember to remove dirt from the drain holes in the doors and sills.

**Exterior components**

Volvo recommends the use of special cleaning products, available at your Volvo retailer, for cleaning colored plastic, rubber, or ornamental components such as chromed strips on the exterior of your vehicle. The instructions for using these products should be followed carefully. Solvents or stain removers should not be used.

 **CAUTION**

- Avoid waxing or polishing plastic or rubber components
- Polishing chromed strips can wear away or damage the surface
- Polishes containing abrasive substances should not be used

**Washing and cleaning the car** **NOTE**

- During high pressure washing, the spray mouthpiece must never be closer to the vehicle than 13" (30 cm). Do not spray into the locks.
- Dirt, snow, etc., on the headlights can reduce lighting capacity considerably. Clean the headlights regularly, for example when refueling.
- When washing or steam cleaning the engine, avoid spraying water or steam directly on the electrical components or toward the rear side of the engine. Special moonroof cautions:
  - Always close the moonroof and sun shade before washing your vehicle.
  - Never use abrasive cleaning agents on the moonroof.
  - Never use wax on the rubber seals around the moonroof

**Automatic washing - simple and quick**

We do NOT recommend washing your car in an automatic wash during the first six months (because the paint will not have hardened sufficiently). An automatic wash is a simple and quick way to clean your car, but it is worth remembering that it may not be as thorough as when you yourself go over the car with sponge and water. Keeping the underbody clean is most important, especially in the winter. Some automatic washers do not have facilities for washing the underbody.

 **CAUTION**

- Before driving into an automatic car wash, turn off the optional rain sensor to avoid damaging the windshield wipers.
- Make sure that side view mirrors, auxiliary lamps, etc, are secure, and that any antenna(s) are retracted or removed. Otherwise there is risk of the machine dislodging them.
- **Chromed wheels:** Clean chrome-plated wheels using the same detergents used for the body of the vehicle. Aggressive wheel-cleaning agents can permanently stain chrome-plated wheels.

 **WARNING**

When the car is driven immediately after being washed, apply the brakes several times in order to remove any

moisture from the brake linings.

- Engine cleaning agents should not be used when the engine is warm. This constitutes a fire risk.

### Exterior lighting

Condensation may form temporarily on the inside of the lenses of exterior lights such as headlights, fog lights, or taillights. This is normal and the lights are designed to withstand moisture. Normally, condensation will dissipate after the lights have been on for a short time.

### Polishing and Waxing

- Normally, polishing is not required during the first year after delivery, however, waxing may be beneficial.
- Before applying polish or wax the vehicle must be washed and dried. Tar spots can be removed with kerosene or tar remover. Difficult spots may require a fine rubbing compound.
- After polishing use liquid or paste wax.
- Several commercially available products contain both polish and wax.
- Waxing alone does not substitute for polishing a dull surface.
- A wide range of polymer-based waxes can be purchased today. These waxes are easy to use and produce a long-lasting, high-gloss finish that protects the bodywork against oxidation, road dirt and fading.



## Washing and cleaning the car

- Do not polish or wax your vehicle in direct sunlight (the surface of the vehicle should not be warmer than 113° F (45° C)).

### CAUTION

Volvo does not recommend the use of long-life or durable paint protection coatings, some of which may claim to prevent pitting, fading, oxidation, etc. These coatings have not been tested by Volvo for compatibility with your vehicle's clear coat. Some of them may cause the clear coat to soften, crack, or cloud. Damage caused by application of paint protection coatings may not be covered under your vehicle's paint warranty.

## Upholstery care

### Fabric

Clean with soapy water or a detergent. For more difficult spots caused by oil, ice cream, shoe polish, grease, etc., use a clothing/fabric stain remover. Consult your Volvo retailer.

### Interior plastic components

Cleaning interior plastic components should be done with a cleaning agent specially designed for this purpose. Consult your Volvo retailer.

### Alcantera™ suede-like material

Suede-like upholstery can be cleaned with a soft cloth and mild soap solution.

### Leather care

Volvo's leather upholstery is manufactured with a protectant to repel soiling. Over time, sunlight, grease and dirt can break down the protection. Staining, cracking, scuffing, and fading can result.

Volvo offers an easy-to-use, non-greasy leather care kit formulated to clean and beautify your vehicle's leather, and to renew the protective qualities of its finish. The cleaner removes dirt and oil buildup. The light cream protectant restores a barrier against soil and sunlight.

Volvo also offers a special leather softener that should be applied after the cleaner and protectant. It leaves leather soft and smooth, and reduces friction between leather and other finishes in the vehicle.

Volvo recommends cleaning, protecting and conditioning your vehicle's leather two to four times a year. Ask your Volvo retailer about Leather Care Kit 951 0251 and Leather Softener 943 7429.

#### Cleaning leather upholstery

1. Pour leather cleaner on a damp sponge and squeeze it until the cleaner foams.
2. Apply the foam to the stain by moving the sponge with circular movements.
3. Dampen the stain thoroughly with the sponge. Let the sponge absorb the stain, do not rub.
4. Dry the stain with soft paper towels or a towel, and allow the leather to dry completely.

#### Protecting leather upholstery

1. Put a small amount of protectant cream on a cloth and apply a thin coating of cream to the upholstery with light circular movements.
2. Allow the leather to dry for 20 minutes.



## Washing and cleaning the car

This will help the leather resist staining and protect against sunlight's harmful UV rays.

### CAUTION

- Under no circumstances should gasoline, naphtha or similar cleaning agents be used on the plastic or the leather since these can cause damage.
- Take extra care when removing stains such as ink or lipstick since the coloring can spread.
- Use solvents sparingly. Too much solvent can damage the seat padding.
- Start from the outside of the stain and work toward the center.
- Sharp objects (e.g. pencils or pens in a pocket) or Velcro fasteners on clothing may damage the textile upholstery.
- Clothing that is not colorfast, such as new jeans or suede garments, may stain the upholstery.

### Cleaning the seat belts

Clean only with lukewarm water and a mild soap solution.

### Cleaning floor mats

The floor mats should be vacuumed or brushed clean regularly, especially during winter when they should be taken out for drying. Spots on textile mats can be removed with a mild detergent. For best protection in winter, Volvo recommends the use of Volvo rubber floor mats. Consult your Volvo retailer.



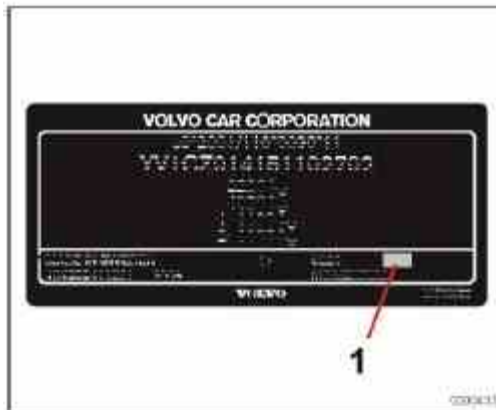
## Paint touch up



## Touching up minor paint damage

Paint damage requires immediate attention to avoid rusting. Make it a habit to check the finish regularly - when washing the vehicle for instance. Touch-up if necessary. Paint repairs require special equipment and skill. Contact a trained and qualified Volvo service technician for any extensive damage. Minor scratches can be repaired by using Volvo touch-up paint.

## Color code



When ordering touch-up paint from your Volvo retailer, make sure you have the right color. Use the paint code indicated on the model plate (1 in the illustration above).

If the stone chip has not penetrated down to the metal and an undamaged layer of paint remains, the touch-up paint can be applied as soon as the spot has been cleaned.

## Minor stone chips and scratches

Material:

- Primer - can
- Paint - touch-up pen
- Brush
- Masking tape

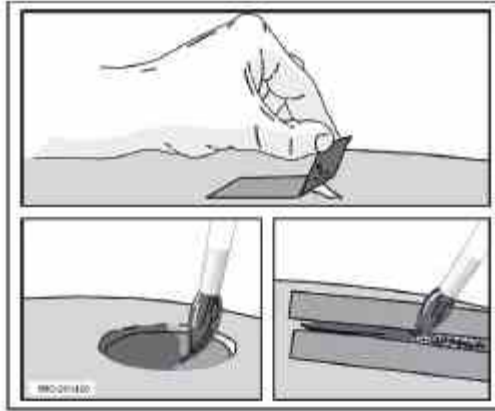
### NOTE

- When touching up the vehicle, it should be clean and dry. The surface temperature should be above 60° F (15° C).
- If the stone chip has not penetrated down to the metal and an undamaged layer of paint remains, the touch-up paint can be applied as soon as the spot has been cleaned.



## Paint touch up

### Deep scratches



1. Place a strip of masking tape over the damaged surface. Pull the tape off so that any loose flakes of paint adhere to it.
  2. Thoroughly mix the primer and apply it with a small brush. When the primer surface is dry, the paint can be applied using a brush. Mix the paint thoroughly; apply several thin paint coats and let dry after each application.
  3. If there is a longer scratch, you may want to protect surrounding paint by masking it off.
- 



[Contents](#) | [Top of Page](#)

# 2008 VOLVO S40

## 198 09 Maintenance and servicing



Volvo maintenance	<a href="#">200</a>
Maintaining your car	<a href="#">201</a>
Hood	<a href="#">203</a>
Engine compartment	<a href="#">204</a>
Engine oil	<a href="#">205</a>
Fluids	<a href="#">206</a>
Wiper blades	<a href="#">208</a>
Battery	<a href="#">209</a>
Replacing bulbs	<a href="#">211</a>
Fuses	<a href="#">220</a>

## 199 09 Maintenance and servicing



## 200 09 Maintenance and servicing



### Volvo maintenance

#### General

Volvo advises you to follow the maintenance program outlined in the Warranty and Service Records Information booklet. This maintenance program contains inspections and services necessary for the proper function of your vehicle. The maintenance services contain several checks that require special tools and training, and therefore must be performed by a qualified technician. To keep your Volvo in top condition, specify time-tested and proven Genuine Volvo Parts and Accessories.

#### The Federal Clean Air Act - U.S.

The Federal Clean Air Act requires vehicle manufacturers to furnish written instructions to the ultimate purchaser to assure the proper servicing and function of the components that control emissions. These services, which are listed in

the "Warranty and Service Records Information" booklet, are not covered by the warranty. You will be required to pay for labor and material used.

## **Maintenance**

Your Volvo passed several major inspections before it was delivered to you, in accordance with Volvo specifications. The maintenance procedures outlined in the Warranty and Service Records Information booklet, many of which will positively affect your vehicle's emissions, should be performed as indicated. It is recommended that receipts for vehicle emission maintenance be retained in case questions arise concerning maintenance. Inspection and maintenance should also be performed anytime a malfunction is observed or suspected.

### **Applicable warranties - U.S./Canada**

In accordance with applicable U.S. and Canadian regulations, the following list of warranties is provided.

- New Vehicle Limited Warranty
- Parts and Accessories Limited Warranty
- Corrosion Protection Limited Warranty
- Seat Belt and Supplemental Restraint Systems Limited Warranty
- Emission Design and Defect Warranty
- Emission Performance Warranty

These are the federal warranties; other warranties are provided as required by state/provincial law. Refer to your separate Warranty and Service Records Information booklet for detailed information concerning each of the warranties.

### **Periodic maintenance helps minimize emissions**

Periodic maintenance will help keep your vehicle running well. Your Warranty and Service Records Information booklet provides a comprehensive periodic maintenance schedule up to 150,000 miles (240,000 km) of vehicle maintenance. The schedule includes components that affect vehicle emissions. This page describes some of the emission-related components.

### **Vehicle Event Data (Black Box)**

Your vehicle's driving and safety systems employ computers that monitor, and share with each other, information about your vehicle's operation. One or more of these computers may store what they monitor, either during normal vehicle operation or in a crash or near-crash event. Stored information may be read and used by:

- Volvo Car Corporation
- service and repair facilities
- law enforcement or government agencies
- others who may assert a legal right to know, or who obtain your consent to know such information.



## **Maintaining your car**

### **Owner maintenance**

Periodic maintenance requirements and intervals are described in your vehicle's Warranty and Service Records Information booklet.

The following points can be carried out between the normally scheduled maintenance services.

## Each time the car is refueled:

- Check the engine oil level
- Clean the windshield, windshield wipers, headlights, and taillights

## Monthly:

- Check cold tire pressure in all tires. Inspect the tires for wear.
- Check that engine coolant and other fluid levels are between the indicated "min" and "max" markings.
- Clean interior glass surfaces with a glass cleaner and soft paper towels.
- Wipe driver information displays with a soft cloth.
- Visually inspect battery terminals for corrosion. Corrosion may indicate a loose terminal connector, or a battery near the end of its useful service life. Consult a trained and qualified Volvo service technician for additional information.

## As needed:

- Wash the car, including the undercarriage, to reduce wear that can be caused by a buildup of dirt, and corrosion that can be caused by salt residues.
- Clean leaves and twigs from air intake vents at the base of the windshield, and from other places where they may collect.

### NOTE

Complete service information for qualified technicians is available online for purchase or subscription at [www.volvotechinfo.com](http://www.volvotechinfo.com).



## Maintaining your car

### Emission inspection readiness

#### What is an Onboard Diagnostic System (OBD II)?

OBD II is part of your vehicle's computerized engine management system. It stores diagnostic information about your vehicle's emission controls. It can light the Check Engine light (MIL) if it detects an emission control "fault." A "fault" is a component or system that is not performing within an expected range. A fault may be permanent or temporary. OBD II will store a message about any fault.

#### How Do States Use OBD II for Emission Inspections?

Many states connect a computer directly to a vehicle's OBD II system. The inspector can then read "faults." In some states, this type of inspection has replaced the tailpipe emission test.

#### How Can My Vehicle Fail OBD II Emission Inspection?

Your vehicle can fail OBD II emission inspection for any of the following reasons.

- If your Check Engine (MIL) light is lit, your vehicle may fail inspection.
- If your vehicle's Check Engine light was lit, but went out without any action on your part, OBD II will still have a recorded fault. Your vehicle may pass or fail, depending on the inspection practices in your area.
- If you had recent service that required disconnecting the battery, OBD II diagnostic information may be incomplete and "not ready" for inspection. A vehicle that is not ready may fail inspection.

#### How Can I Prepare for My Next OBD II Emission Inspection?

- If your Check Engine (MIL) light is lit - or was lit but went out without service, have your vehicle diagnosed and, if necessary, serviced by a qualified Volvo technician.
- If you recently had service for a lit Check Engine light, or if you had service that required disconnecting the battery, a period of driving is necessary to bring the OBD II system to "ready" for inspection. A half-hour trip of mixed stop-and-go/highway driving is typically needed to allow OBD II to reach readiness. Your Volvo retailer can provide you with more information on planning a trip.
- Maintain your vehicle in accordance with your vehicle's maintenance schedule.



## Hood

### Opening the hood



To open the hood:

1. Pull the lever located under the left side of the dash to release the hood lock.
2. Lift the hood slightly.
3. Press up the release control located under the front edge of the hood (at the center) up to the right, and lift the hood.

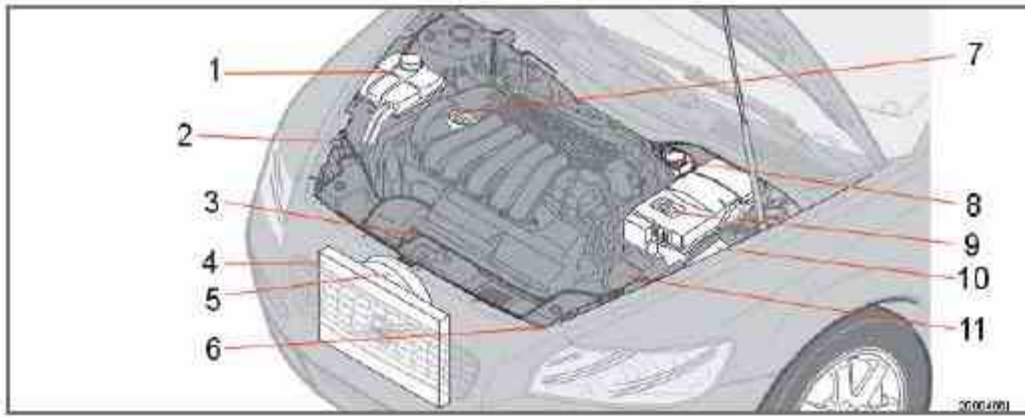


### WARNING

Check that the hood locks engage properly when closed.



## Engine compartment



1. Cooling system expansion tank
2. Power steering fluid reservoir (concealed behind the headlight)
3. Dipstick - engine oil
4. Radiator
5. Cooling fan
6. Washer fluid reservoir
7. Engine oil filler cap
8. Brake/clutch fluid reservoir
9. Battery
10. Relay/fuse box
11. Air cleaner

**WARNING**

The cooling fan may start or continue to operate (for up to 6 minutes) after the engine has been switched off.



## Engine oil

### Changing engine oil and oil filter

See [page 253](#) for oil specifications. Refer to the Warranty and Service Records Information booklet for information on the oil change intervals.

Volvo recommends Castrol.

**NOTE**

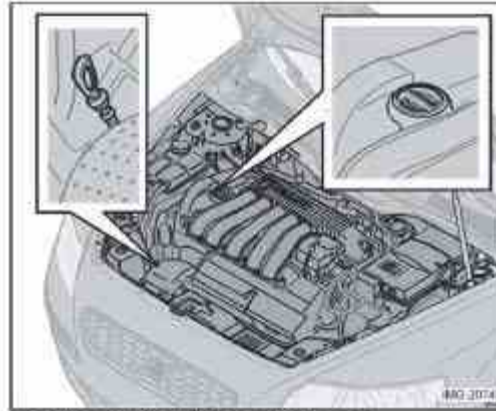
- Volvo does not recommend the use of oil additives.

- Synthetic oil is not used when the oil is changed at the normal maintenance intervals except at owner request and at additional charge. Please consult a trained and qualified Volvo service technician.

### Checking and adding oil

The oil level should be checked every time the vehicle is refueled. This is especially important during the period up to the first scheduled maintenance service

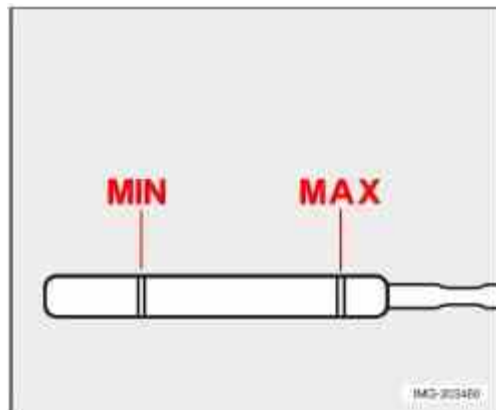
- The car should be parked on a level surface when the oil is checked.
- **If the engine is warm**, wait for at least 10-15 minutes after the engine has been switched off before checking the oil.



Location of dipstick and oil filler cap

### Checking the oil

1. Pull out the dipstick and wipe it with a lint-free rag.
2. Reinsert the dipstick, pull it out, and check the oil level.
3. Add oil if necessary. If the level is close to the **MIN** mark, add approximately 1 US quart (1 liter) of oil.
4. Run the engine until it reaches normal operating temperature.
5. Switch off the engine and wait for at least 10-15 minutes and recheck the oil level. If necessary, add oil until the level is near the **MAX** mark.



### NOTE

- Not checking the oil level regularly can result in serious engine damage if the oil level becomes too low.
- Oil that is lower than the specified quality can damage the engine.
- Always add oil of the same type and viscosity as already used.
- Never fill oil above the **MAX** mark. This could cause an increase in oil consumption.





## Fluids

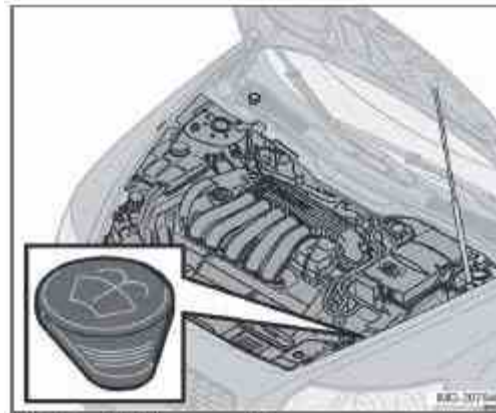
### WARNING

Do not allow oil to spill onto or come into contact with hot exhaust pipe surfaces

### NOTE

Volvo uses different systems to indicate a low oil level or pressure. Some models have an oil pressure sensor, in which case a warning symbol (see [page 54](#)) is used to indicate low oil pressure. Other models have an oil level sensor, in which case the driver is alerted by the warning symbol in the center of the instrument panel and a text in the information display. Some models use both systems. Contact an authorized Volvo retailer for more information.

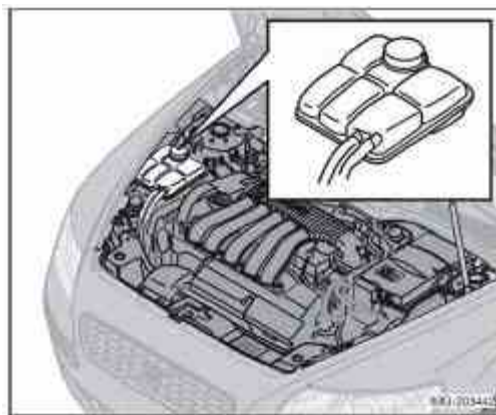
### Washer fluid



Washer fluid reservoir

The washer fluid reservoir is located in the engine compartment and holds approximately 6.8 US qts (6.5 liters). During cold weather, the reservoir should be filled with windshield washer solvent containing antifreeze.

### Coolant



Coolant reservoir

Normally, the coolant does not need to be changed. If the system must be drained, consult a trained and qualified

Volvo service technician.

## NOTE

Do not top off with water only. This reduces the rust-protective and antifreeze qualities of the coolant and has a lower boiling point. It can also cause damage to the cooling system if it should freeze. Top off with Volvo Genuine Coolant/Antifreeze only (a 50/50 mix of water and antifreeze).

207 09 Maintenance and servicing



## Fluids

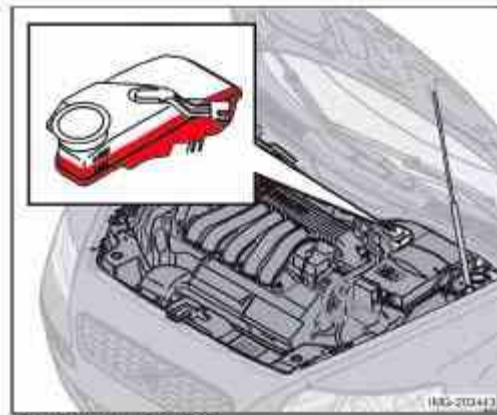
### CAUTION

The cooling system must always be kept filled to the correct level, and the level must be between the MIN and MAX marks. If it is not kept filled, there can be high local temperatures in the engine which could result in damage. Different types of antifreeze/coolant may not be mixed. Check coolant regularly!

### WARNING

Never remove the radiator cap while the engine is warm. Wait until the vehicle cools. If it is necessary to top off the coolant when the engine is warm, unscrew the expansion tank cap slowly so that the overpressure dissipates.

### Brake fluid



Brake fluid reservoir

The brake fluid should always be between the MIN and MAX marks on the side of the reservoir. Check, without removing the cap, that there is sufficient fluid in the reservoir.

**Fluid type:** DOT 4+ boiling point >536°F (280°C), P/N 9437433

**Replace:** The fluid should be replaced according to the intervals specified in the Warranty and Service Records Information booklet. When driving under extremely hard conditions (mountain driving, etc), it may be necessary to replace the fluid more often. Consult your Volvo retailer. Always entrust brake fluid changing to a trained and qualified Volvo service technician.

### Power steering fluid

The fluid level is checked at each service interval.

**Fluid type:** Volvo power steering fluid or equivalent.

**Replace:** No fluid change required.

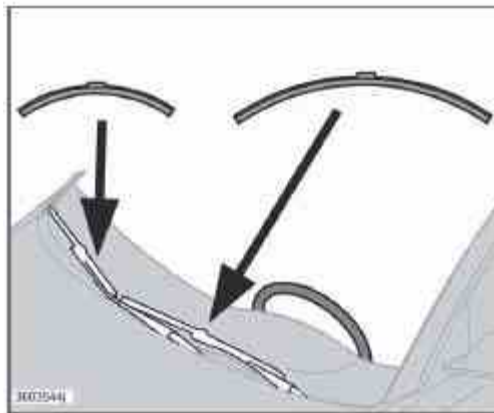
 **WARNING**

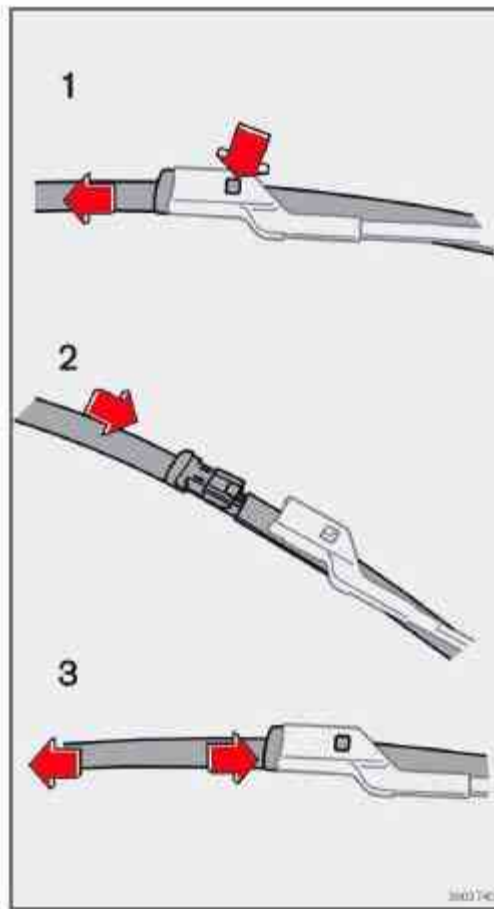
If a problem should occur in the power steering system or if the vehicle has no electrical current and must be towed, it is still possible to steer the vehicle. However, keep in mind that greater effort will be required to turn the steering wheel.



## Wiper blades

### Replacing windshield wiper blades





1. Fold out the wiper arm.
2. Press the button on the wiper blade attachment and pull straight out (1), parallel with the wiper arm.
3. Press a new wiper blade (2) until it clicks into place.
4. Ensure the blade is securely attached (3).
5. Fold in the wiper arm.

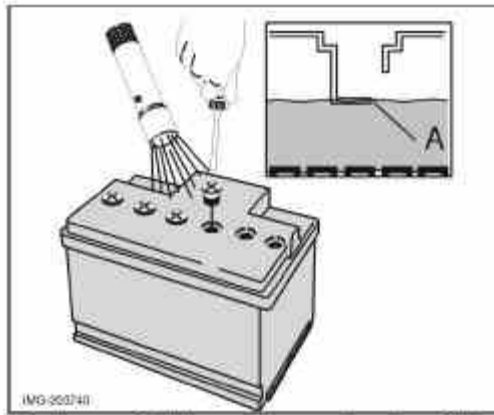
#### NOTE

- The wiper blades are different lengths. The blade on the driver's side is longer than the one on the passenger's side.
- Keeping the windshield and wiper blades clean helps improve visibility and prolongs the service life of the wiper blades. See [page 192](#) for washing instructions.



## Battery

### Battery maintenance

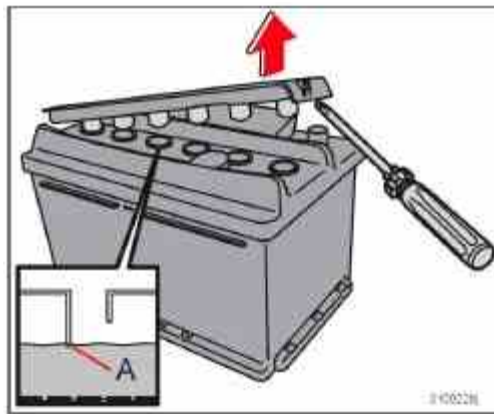


Two types of battery may be used and are fully interchangeable

Driving habits and conditions, climate, the number of starts, etc., all affect the service life and function of the battery. In order for your battery to perform satisfactorily, keep the following in mind:

- Check the fluid level in each cell in the battery every 24 months or every 15,000<sup>1</sup> miles (24,000 km), whichever is sooner. The fluid should be at the level shown in the illustrations above (A). Do not overfill.

<sup>1</sup>More frequently in warm climates.



- Use a screw driver to open the caps or cover and a flashlight to inspect the level.
- If necessary, add distilled water. The level should never be above the indicator (A).
- The fluid level should be checked if the battery has been recharged.
- After inspection, be sure the cap over each battery cell or the cover is securely in place.
- Check that the battery cables are correctly connected and properly tightened.
- Never disconnect the battery when the engine is running, or when the key is in the ignition. This could damage the vehicle's electrical system.
- The battery should be disconnected from the vehicle when a battery charger is used directly on the battery.



## WARNING

### PROPOSITION 65 WARNING!

Battery posts, terminals, and related accessories contain lead and lead compounds, chemicals known to the state of California to cause cancer and reproductive harm. Wash hands after handling.



# Battery

## Battery symbols



## Battery replacement

### Removing the battery

1. Switch off the ignition and remove the key.
2. Wait at least 5 minutes after switching off the ignition before disconnecting the battery so that all information in the vehicle's electrical system can be stored in the control modules.
3. Remove the cover over the battery.
4. Disconnect the battery negative (ground) cable.
5. Disconnect the positive cable.
6. Remove the front side of the battery box with a screwdriver.
7. Release the clamp holding the battery.
8. Lift out the battery.

### Installing a new battery

1. Put the battery in place in the engine compartment.
2. Install the battery's retaining clamp.
3. Reinstall the front side of the battery box.

4. Connect the positive cable.
5. Connect the ground cable.
6. Reinstall the cover over the battery.

#### NOTE

Used batteries should be properly disposed of at a recycling station or similar facility, or taken to your Volvo retailer.

#### WARNING

- Never expose the battery to open flame or electric spark.
- Do not smoke near the battery.
- Battery fluid contains sulfuric acid. Do not allow battery fluid to contact eyes, skin, fabrics or painted surfaces. If contact occurs, flush the affected area immediately with water. Obtain medical help immediately if eyes are affected.

211 09 Maintenance and servicing



## Replacing bulbs

### Introduction

Before replacing bulbs in your vehicle, please keep the following points in mind:

#### NOTE

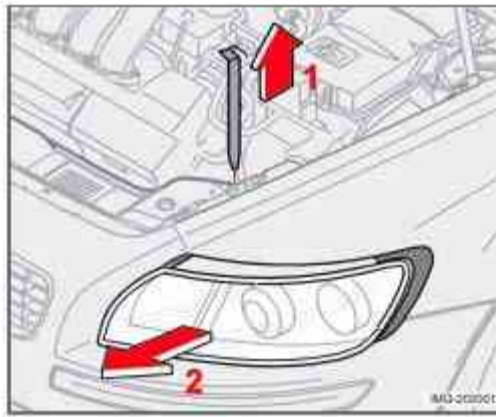
- Never touch the glass of bulbs with your fingers. Grease and oils from your fingers vaporize in the heat and will leave a deposit on the reflector, which will damage it.
- The optional Bi-Xenon® headlight bulbs contain trace amounts of mercury. These bulbs should always be disposed of by an authorized Volvo retailer.
- Certain bulbs should only be replaced by a trained and qualified Volvo service technician:
  - Courtesy (dome) lighting
  - Reading lights
  - Glove compartment lights
  - Turn signals and courtesy lights in the side door mirrors
  - High-mounted brake lights
  - Bi-Xenon® headlights
  - Brake lights

212 09 Maintenance and servicing



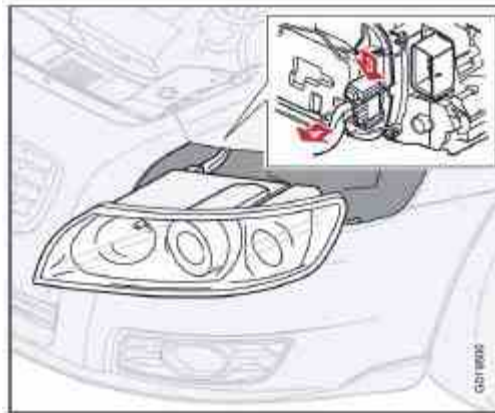
## Replacing bulbs

### Removing the headlight housing



The entire headlight housing must be lifted out when replacing the high/low beam, parking light, turn signal, and side marker bulbs. To lift out the housing:

1. Remove the key from the ignition and turn the headlight switch to position 0.
2. Open the hood.
3. Pull up the headlight housing's retaining pin (1).
4. Pull the headlight housing to one side and then forward (2).



5. Disconnect the wiring connector by pressing down clip (3) with your thumb while at the same time pulling the connector (4) with your other hand.
6. Lift out the headlight housing and place it on a soft surface to avoid scratching the lens.

After the defective bulb has been replaced, reinsert the housing in the reverse order. Check that the retaining pin is correctly inserted.

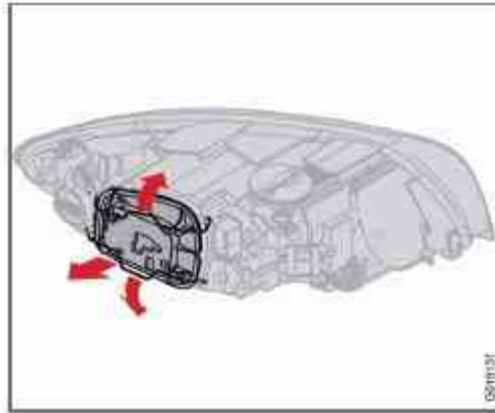
## **WARNING**

Bi-Xenon® headlights (option) - due to the high voltage used by these headlights, these bulbs should only be replaced by a trained and qualified Volvo service technician.



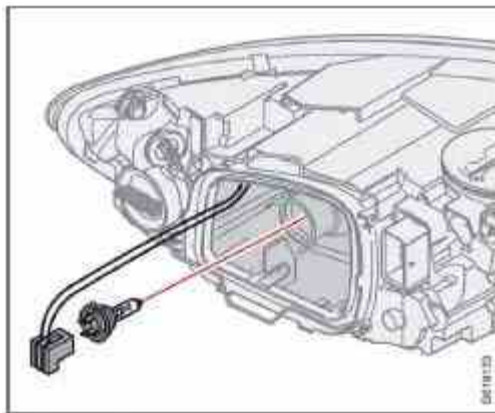


## Low beam bulb



*Cover with retaining clamps*

1. Open the hood.
2. Remove the headlight housing.
3. Remove the wiring connector from the bulb.
4. Release the bulb's retaining spring by pressing it inward and downward.
5. Pull out the bulb.

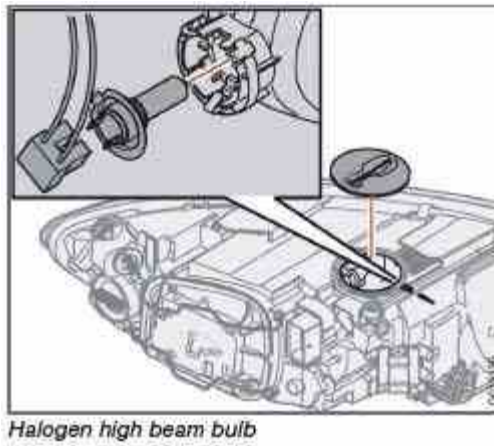


*Low beam bulb*

## Installing a new bulb

1. Insert the new bulb. It can only be inserted in one position.
2. Press the retaining spring inward and upward and slightly to the right until it snaps into place.
3. Press the wiring connector onto the bulb.
4. Put the plastic cover in place.
5. Reinstall the headlight housing.

## High beam bulb (halogen)



1. Open the hood.
2. Remove the headlight housing (see [page 212](#)).
3. Remove the cover on the upper side of the headlight housing by turning it counterclockwise.
4. Driver's side headlight: Turn the bulb holder counterclockwise.  
Passenger's side headlight: Turn the bulb holder clockwise.



## Replacing bulbs

### NOTE

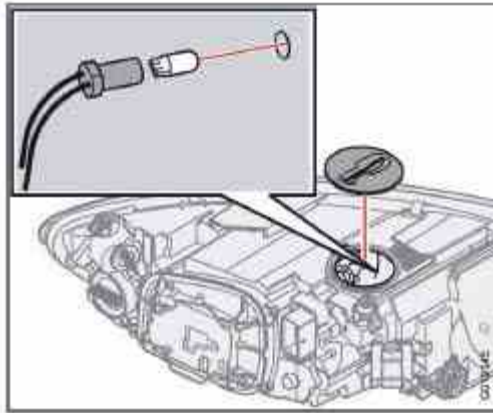
The halogen high beam bulb has a different socket on vehicles equipped with Bi-Xenon® headlights. On these models, pull the bulb straight out.

### WARNING

Bi-Xenon® headlights (option) - due to the high voltage used by these headlights, the Bi-Xenon® bulbs should only be replaced by an authorized Volvo service technician.

5. Pull out the bulb holder and replace the bulb.
6. Reinstall the bulb holder. It can only be installed in one position.
7. Reinstall the cover on the upper side of the headlight housing by turning it clockwise.
8. Reinstall the headlight housing.

## Parking light bulb

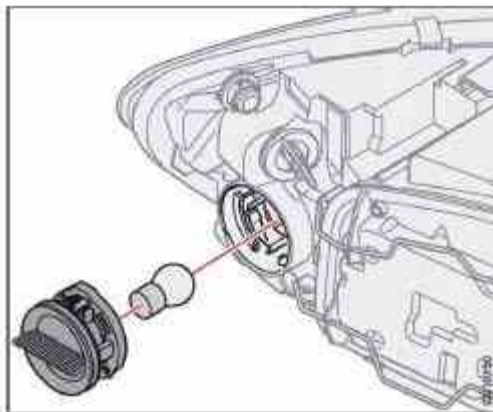


1. Open the hood.
1. Remove the headlight housing (see [page 212](#)).
2. Remove the cover on the upper side of the headlight housing by turning it counterclockwise.
3. Pull out the bulb holder.
4. Replace the bulb.
5. Press the bulb holder back into place. It will click into place.
6. Reinstall the cover on the upper side of the headlight housing by turning it clockwise.
7. Reinstall the headlight housing.



## Replacing bulbs

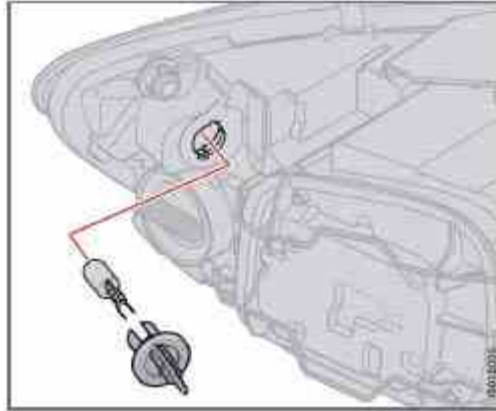
### Turn signal



1. Open the hood.
2. Remove the headlight housing (see [page 212](#)).
3. Turn the bulb holder counterclockwise and remove it.

4. Remove the bulb from the holder by pressing it in and twisting it counterclockwise.
5. Insert a new bulb and reinstall the bulb holder in the headlight housing.
6. Reinstall the headlight housing.

### Side marker light

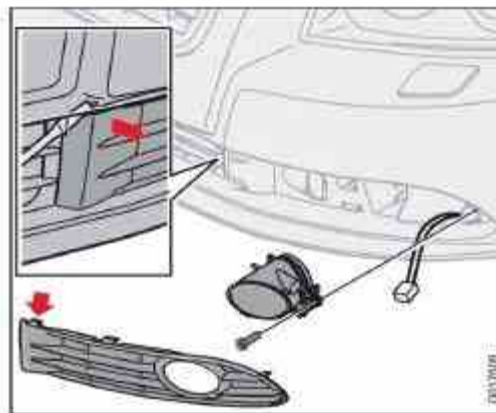


1. Open the hood.
2. Remove the headlight housing (see [page 212](#)).
3. Turn the bulb holder counterclockwise, pull it out, and replace the bulb.
4. Reinstall the bulb holder. It can only be installed in one position.
5. Reinstall the headlight housing.



## Replacing bulbs

### Front fog light (option)



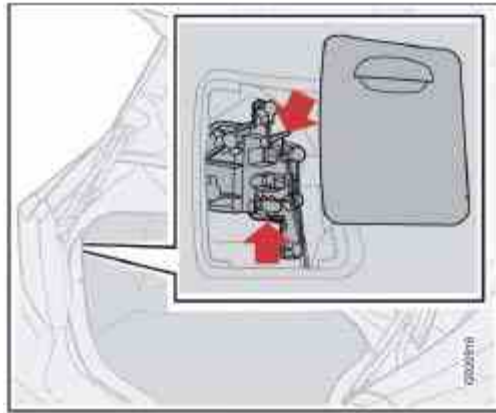
1. Switch off all lights and turn the key to position **0**.
2. Remove the panel around the fog light housing by inserting a screw driver as shown in the illustration and pressing the panel outward to release the retaining clips.

3. Grasp the edge of the panel and pull it straight out.
4. Unscrew the screw in the fog light housing and remove it.
5. Turn the bulb counterclockwise and remove it.
6. Insert a new bulb by turning it clockwise (the profile on the bulb holder will correspond with the profile in the base of the bulb).
7. Reinsert the bulb holder. The mark **TOP** should be upward.



## Replacing bulbs

### Removing the taillight bulb holder



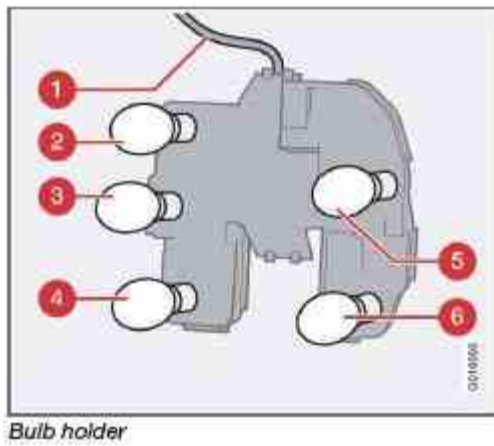
All bulbs in the taillight cluster can be replaced from the cargo area. To access the bulb holders:

1. Switch off all lights and turn the key to position 0.
2. Remove the covers in the left/right panels to access the bulb holders.
3. Disconnect the wiring connector from the affected bulb holder.
4. Press the catches together and pull out the bulb holder.
5. Replace the defective bulb.
6. Press the wiring connector back into position.
7. Press the bulb holder into place and reinstall the cover.

#### NOTE

If the message indicating a burned out bulb remains in the information display after the bulb has been replaced, consult a trained and qualified Volvo service technician.

### Location of taillight bulbs



1. Brake light (LED)

### **i** NOTE

The wiring to the LED brake lights is permanently connected to the bulb holder. It should not be removed.

2. Taillight

3. Parking light

4. Fog light (driver's side only)

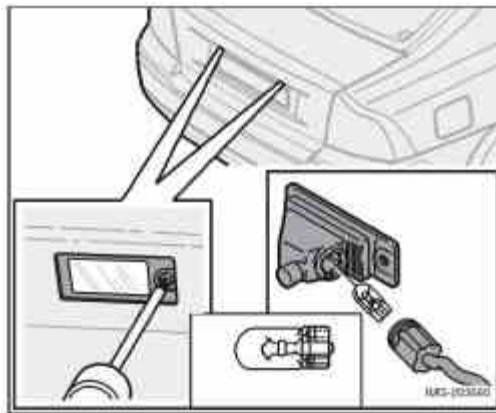
5. Turn signal

6. Back-up light



## Replacing bulbs

### License plate lighting



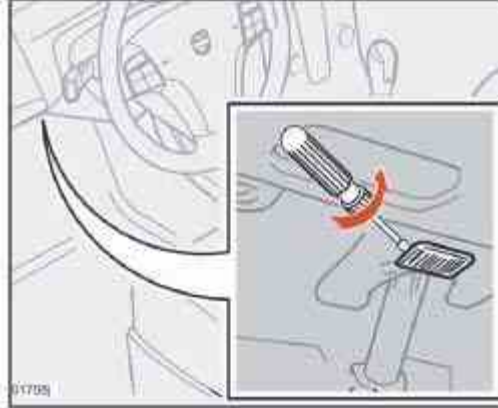
1. Switch off all lights and turn the key to position 0.

2. Remove the screw with a screw driver.

3. Detach the entire bulb housing and carefully pull it out. Turn the connector counterclockwise and pull out the bulb.

4. Replace the bulb.
5. Reinstall the connector and turn it clockwise.
6. Reinstall the entire bulb housing and screw it into place.

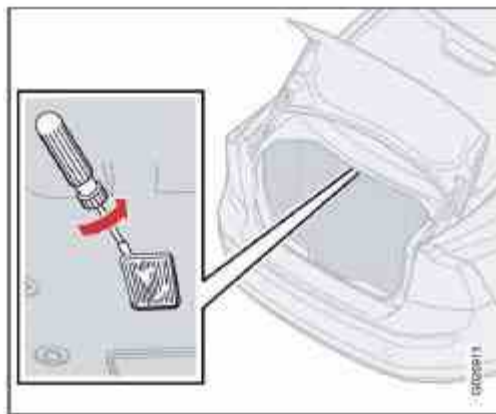
### Footwell lighting



The footwell lighting is located under the dashboard on the driver's and passenger's sides. To replace a bulb:

1. Insert a screwdriver under the edge of the lens. Turn the screwdriver gently to detach the lens.
2. Remove the defective bulb.
3. Install a new bulb.
4. Press the lens back into place.

### Cargo area lighting

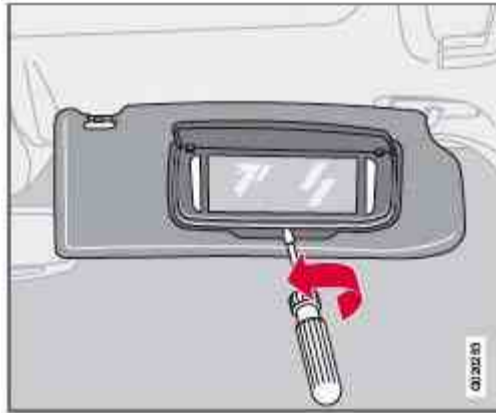


1. Insert a screwdriver and turn it gently to detach the bulb housing.
2. Remove the defective bulb.
3. Install a new bulb.
4. Press the bulb housing back into place.



## Replacing bulbs

### Vanity mirror lighting



1. Insert a screwdriver under the center of the lower edge of the mirror, turn it, and carefully pry up the lugs at the edge.
2. Move the screwdriver under the edge on the left and right-hand sides (near the black rubber sections) and pry carefully to release the lower edge of the mirror.
3. Pry carefully and lift out the entire mirror and the cover.
4. Remove the defective bulb and replace it with a new one.
5. To reinstall the mirror, begin by pressing the three lugs at the upper edge of the mirror back into place.
6. Press the three lower lugs back into place.



## Fuses

### Replacing fuses

There are relay/fuse boxes located in the engine compartment and the passenger compartment.

If an electrical component fails to function, this may be due to a blown fuse. The easiest way to see if a fuse is blown is to remove it.

To do so:

1. Pull the fuse straight out. If a fuse is difficult to remove, special fuse removal tools are located on the inside of the fuse box covers.
2. From the side, examine the curved metal wire in the fuse to see if it is intact.
3. If the wire is broken, insert a new fuse of the **same color and amperage** (written on the fuse).

If fuses burn out repeatedly, have the electrical system inspected by a trained and qualified Volvo service technician.



## **WARNING**

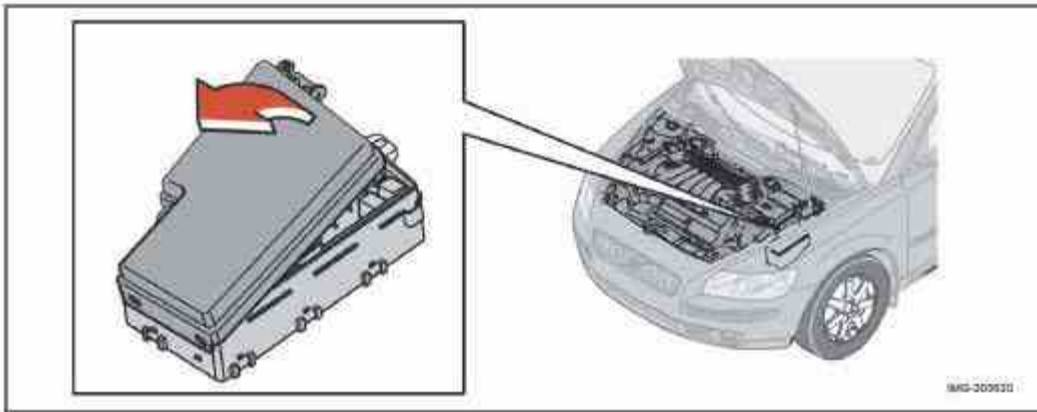
Never use metal objects or fuses with higher amperage than those stated on the following pages. Doing so could seriously damage or overload the vehicle's electrical system.

221 09 Maintenance and servicing



## Fuses

### Fuse box in the engine compartment



The fuse box in the engine compartment has positions for 36 fuses.

- Fuses 1-18 are relays/circuit breakers and should only be removed or replaced by an authorized Volvo service technician.
- Fuses 19-36 may be changed at any time when necessary.

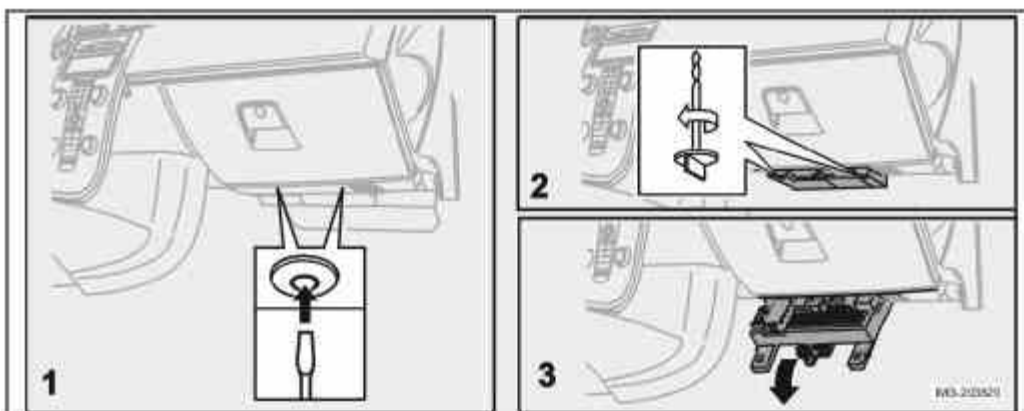
Several extra fuses and a fuse removal tool to assist in removing/replacing fuses can be found on the underside of the fuse box cover in the engine compartment.

222 09 Maintenance and servicing



## Fuses

### Fuse box in the passenger compartment



The fuse box in the passenger compartment is located under the glove compartment.

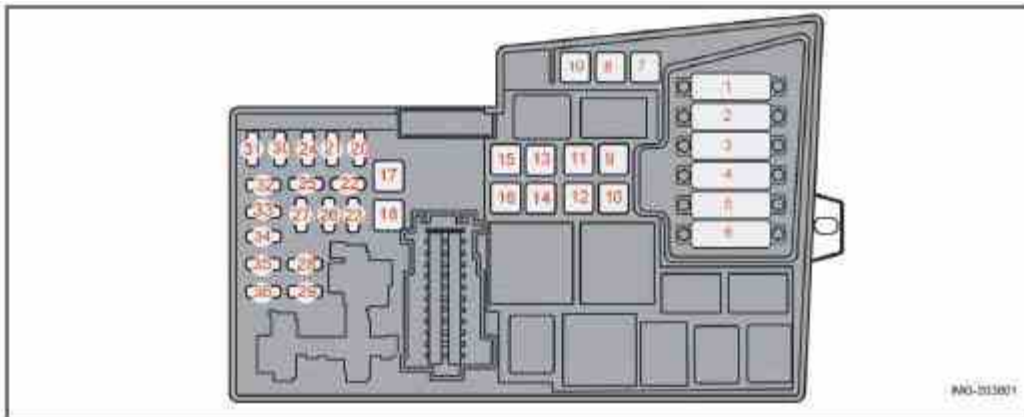
To access the fuses:

1. Remove the upholstery covering the fuse box by first pressing in the center pins in the mounting clips approximately 0.5 in (1cm) with a small screwdriver and then pulling the pins out.
2. Turn both retaining screws (2) counterclockwise until they release.
3. Fold down the fuse box (3) half way. Pull it toward the seat until it stops. Fold it down completely. The fuse box can be unhooked completely.
4. Replace the blown fuse.
5. Close the fuse box in reverse order.
6. Pull the center pins fully out of the mounting clips, secure the upholstery with the mounting clips and press the pins into the mounting clips again. The mounting clips then expand, holding the upholstery in position.



## Fuses

### Fuses in the engine compartment



1.	Coolant fan (radiator)	50A
2.	Power steering	80A
3.	Feed to passenger compartment fuse box	60A
4.	Feed to passenger compartment fuse box	60A
5.	Element, climate unit	80A
6.	Not in use	
7.	ABS pump	30A
8.	ABS valves	20A
9.	Engine functions	30A
10.	Climate system blower	40A

11.	Headlight washers	20A
12.	Feed to heated rear window	30A
13.	Starter motor relay	30A
14.	Trailer connector	40A
15.	Not in use	
16.	Feed to audio system	30A
17.	Windshield wipers	30A
18.	Feed to passenger compartment fuse box	40A
19.	Not in use	
20.	Horn	15A
21.	Not in use	

22.	Not in use	
23.	Engine control module (ECM)/ transmission control module (TCM)	10A
24.	Not in use	
25.	Not in use	
26.	Ignition switch	15A
27.	A/C compressor, water shut-off valve	10A
28.	Not in use	
29.	Front fog lights (option)	15A
30.	Not in use	



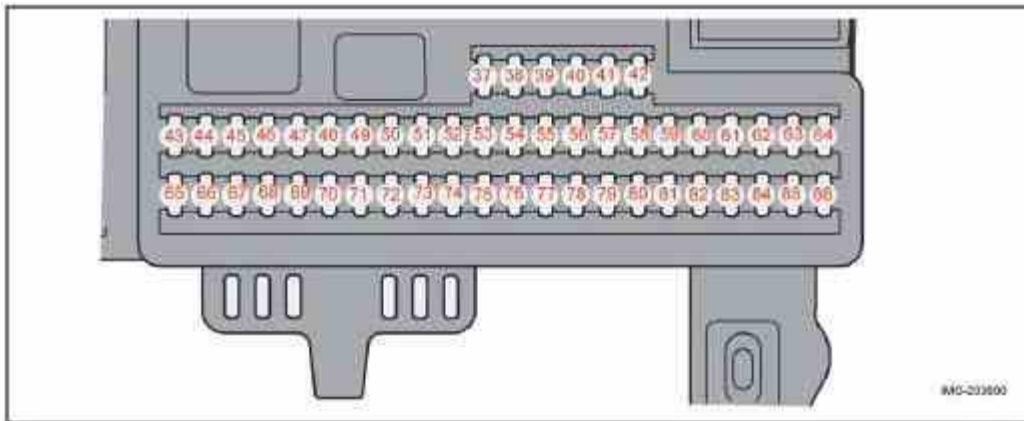
## Fuses

31.	Not in use	
32.	Fuel injectors	10A
33.	Heated oxygen sensor, vacuum pump	20A
34.	Ignition coils, climate unit pressure sensor	10A
35.	Engine sensor valves, A/C relay, relay coil water shut-off valve	15A
36.	Engine control module (ECM), throttle sensor	10A



## Fuses

### Fuses in the passenger compartment



37.	Not in use	
38.	Not in use	
39.	Not in use	
40.	Not in use	
41.	Not in use	
42.	Not in use	
43.	Audio system, Volvo Navigation system (option)	15A
44.	Supplemental Restrain System (SRS), engine control module	10A
45.	12-volt socket in rear seat	15A

46.	Lighting - glove compartment, instrument panel, and footwells	5A
47.	Interior lighting	5A
48.	Not in use	
49.	Supplemental Restrain System (SRS), Occupant Weight Sensor (OWS)	10A
50.	Not in use	
51.	AWD, fuel filter relay	10A
52.	Transmission control module (TCM), ABS	5A

53.	Power steering	10A
54.	Park assist (option) Bi-Xenon® headlights (option)	10A
55.	Not in use	
56.	Volvo Navigation System remote control (option), Alarm siren control module	10A
57.	On-board diagnostic socket, brake light switch	15A
58.	Right high beam, auxiliary lights relay	7.5 A
59.	Left high beam	7.5 A



## Fuses

60.	Heated driver's seat (option)	15A
61.	Heated passenger's seat (option)	15A
62.	Moonroof (option)	20A
63.	Power window and door lock - rear passenger's side door	20A
64.	Audio system, Volvo Navigation system (option)	5A
65.	Audio system	5A
66.	Audio system control module (ICM), climate system	10A
67.	Not in use	
68.	Cruise control	5A
69.	Climate system, rain sensor (option), BLIS button (option)	5A
70.	Not in use	
71.	Not in use	
72.	Not in use	
73.	Moonroof, front ceiling lighting, auto-dim mirror, (option) seat belt reminder	5A
74.	Fuel pump relay	15A
75.	Not in use	
76.	Not in use	

77.	12-volt socket in trunk, auxiliary equipment control module (AEM)	15A
78.	Not in use	
79.	Back-up lights	5A
80.	Not in use	
81.	Power window and door lock - rear driver's side door	20A
82.	Power window and door lock - front passenger's side door	25A
83.	Power window and door lock - front driver's side door	25A
84.	Power passenger's seat	25A
85.	Power driver's seat	25A
86.	Interior lighting relay, trunk light, power seats	5A



This page left intentionally blank.



# 2008 VOLVO S40

228 10 Audio



Audio functions	<a href="#">230</a>
Radio functions	<a href="#">235</a>
Sirius satellite radio (option or retailer-installed accessory)	<a href="#">237</a>
CD player/CD changer (option)	<a href="#">241</a>
Audio menu	<a href="#">245</a>

229 10 Audio

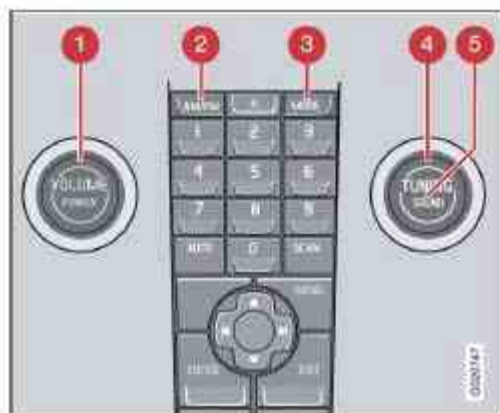


230 10 Audio



## Audio functions

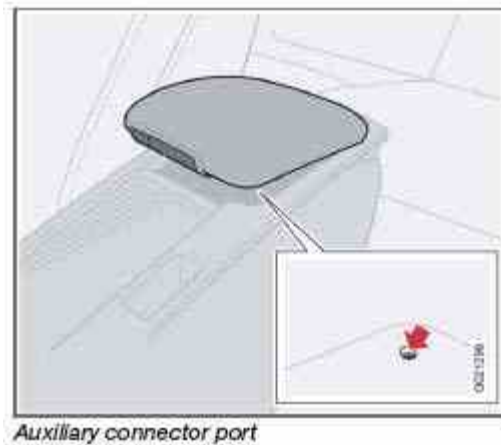
### Audio system controls



1. **VOLUME** dial

2. **AM/FM** - select a radio band

3. **MODE** - select a sound source
4. **TUNING** dial
5. **SOUND** button



### Selecting a sound source

- Press **AM/FM** (2) repeatedly to toggle between FM1, FM2, and AM.
- Press **MODE** (3) repeatedly to toggle between the CD player and the optional external sound source AUX or the optional Sirius satellite radio.

The currently selected sound source will be shown in the display.

### **AUX (option)**

The AUX (auxiliary) port, located under the center armrest, can be used to connect for example, an mp3 player.

If the player is being charged through a 12-volt socket while it is connect to the AUX port, sound quality may be impaired.

The volume of the external sound source AUX may be different from the volume of the internal sound sources such as the CD player or the radio. **If the external sound source's volume is too high, the quality of the sound may be impaired.**

This can be prevented by adjusting the external sound source's input volume.

1. While playing the radio or a CD, lower the audio volume to about one-quarter.
2. Switch to AUX mode on the audio system.
3. Connect the headphone output from your music player to the AUX input using a cable with a stereo 3.5mm miniplug at both ends.
4. Set your music player's headphone volume to three-quarters using the player's volume controls.
5. Press **Menu** on the audio system, and navigate to AUX Volume or AUX Input Volume.
6. Turn the volume knob to raise or lower the AUX Input Volume until you hear music at a comfortable level.



## Audio functions

7. If there is distortion, lower your music player's headphone volume until the distortion goes away.
8. Finally, exit the menu and adjust the audio volume to a comfortable level.

**Volume**  
Use the volume dial (1) or the buttons in the optional steering wheel keypad to adjust the volume level. The volume level is also adjusted automatically according to the vehicle's speed, see [page 234](#) for more information on this function.

### Steering wheel keypad (option)



Optional steering wheel keypad

The four buttons on the steering wheel keypad can be used to control the audio system. The steering wheel keypad can be used to adjust volume, shift between preset stations and change CD tracks. Press one of the two left-hand buttons briefly to change to the next/previous preset radio station, or to go to the next/previous track on a CD. Press and hold down these buttons to search within a track on a CD.

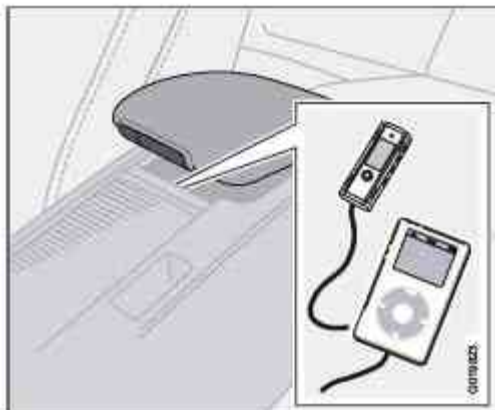
### Daytime/twilight display

In daylight the information is displayed against a light background. In darkness it is displayed against a dark background.



## Audio functions

### USB/iPOD connector (option)



An auxiliary device, such as an iPod or a USB flash drive can be connected to the audio system via the connector in the center console storage compartment.

A sound source must be chosen, depending on the device that has been connected:

1. Use **MODE** to select **iPOD** or **USB**. The text **CONNECT DEVICE** will be displayed.
2. Connect the device to the connector in the center console storage compartment (see the illustration).

The text **LOADING** will be displayed while the system indexes the files on the device. This may take a short time.

When indexing has been completed, track information will be displayed, and the desired track can then be selected.

Tracks can be selected in two ways:

- Turn the Tuning knob (no. 4 in the illustration on [page 230](#)) clockwise or counterclockwise
- Use the right or left arrow keys on the navigation control (no. 5 in the illustration on [page 235](#)) to select the desired track. The arrow keys on the steering wheel keypad can also be used in the same way.

#### NOTE

The system supports playback of files in the most common versions of formats such as mp3, wma, and wav. However, there may be versions of these formats that the system does not support.

#### **USB flash drive**

To simplify the use of a USB flash drive, it is advisable to only store music files on the drive. It will take considerably longer for the system to index the files on the drive if it contains anything other than compatible music files.

#### **MP3 player**

Many mp3 players have a file indexing system that is not supported by the vehicle's audio system. In order to use an mp3 player, the system must be set to *USB Removable device/Mass Storage Device*.

#### **iPod**

An iPod receives current and its battery is charged through the connecting cord. However, if the iPod's battery is completely drained, it should be recharged before the iPod is connected to the audio system.

#### NOTE

When an iPod is used as a sound source, the vehicle's audio system has a menu structure similar to the one in the iPod. See the iPod's manual for detailed information.

For further information, refer to the accessory manual *USB/iPOD Music Interface*.

#### **Sound settings**

#### **Optimal sound reproduction**

The audio system is calibrated for optimal sound reproduction through the use of digital signal processing. This calibration takes into account the speakers, amplifier, cabin





acoustics, the seating position of the listener, etc., for each combination of vehicle and audio system. There is also dynamic calibration that takes into account the setting of the volume control, radio reception, and the vehicle's speed. The sound settings described in this manual, such as **BASS**, **TREBLE**, and **EQUALIZER** are only intended to enable the user to adapt sound reproduction to his/her personal preferences.

1. Press **SOUND** (5). Press this button repeatedly until you come to the setting that you wish to change.
2. Turn the **TUNING** dial (4) to make the desired setting.

The following settings can be made:

**BASS**-set the bass level

**TREBLE**-set the treble level

**BALANCE**-set the left/right sound balance

**FADER**-set the front/rear sound balance

**SUBWOOFER** (accessory)-set the level for the subwoofer (bass speaker)

**CENTER**<sup>1</sup>-make settings for the center speaker

**SURROUND**<sup>1</sup>-make settings for surround sound

<sup>1</sup>Premium Sound System only

### **Subwoofer (accessory)**

To switch the subwoofer on or off:

1. Press **MENU** followed by **ENTER**.
2. Select **AUDIO SETTINGS** and press **ENTER**.
3. Select **SUBWOOFER** and press **ENTER**.

### **Surround sound**

Surround sound settings are used to balance sound levels throughout the vehicle. Surround settings for the various sound sources are made separately.

#### **NOTE**

- Dolby Surround Pro Logic II is only available on the Premium Sound system.
- When listening to FM radio stations, Dolby Surround Pro Logic II functions best in areas with strong reception. If reception is weak, selecting 2 or 3-channel stereo may provide better sound quality.

The Dolby symbol will be appear in the display when Dolby Pro Logic II is activated.

There are three alternative settings:

- Pro Logic II
- 3-channel
- Off (normal 2-channel stereo)

### Activating/deactivating Surround sound

1. Press **MENU** followed by **ENTER**.
2. Select **AUDIO SETTINGS** in the menu and press **ENTER**.
3. Select **Surround FM/AM/CD/AUX** and press **ENTER**.
4. Select **PRO LOGIC II, 3-channel stereo** or **OFF** and press **ENTER**.

### Equalizer Front/Rear

This function is used to fine-tune the sound level for different frequencies separately.

#### NOTE

This function is only available on certain sound systems.

To adjust the equalizer settings:

1. Press **MENU** followed by **ENTER**.
2. Select **AUDIO SETTINGS** in the menu and press **ENTER**.
3. Select **EQUALIZER FRONT/REAR** and press **ENTER**.

The column in the display indicates the sound level for the current frequency.

- Adjust the level with the **TUNING** dial (4), or use the Up/Down arrows. Additional

234 10 Audio



### Audio functions

frequencies can be selected with the Right/Left arrows.

- Save the settings by pressing **ENTER** or exit without saving by pressing **EXIT**.

### Automatic sound control

The audio system's volume is adjusted automatically according to the speed of the vehicle. There are three settings available, which determine the level of volume compensation:

- **LOW**
- **MEDIUM\***
- **HIGH**

\* Default setting.

To set the automatic sound level:

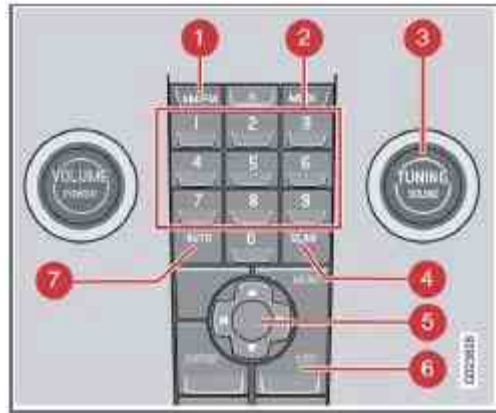
1. Press **MENU** followed by **ENTER**.
2. Select **AUDIO SETTINGS** in the menu and press **ENTER**.
3. Select **AUTO. VOLUME CONTROL** in the menu and press **ENTER**.

4. Select **LOW**, **MEDIUM**, or **HIGH** and press **ENTER**.



## Radio functions

### Radio function controls



1. **AM/FM1/FM2** selection

2. **Station preset buttons**

3. **TUNING** dial for selecting radio stations

4. **SCAN**

5. **MENU NAVIGATION CONTROL**-press the up or down arrow keys to scroll in a menu, or the keys on the left/right sides of the control to search for or change radio stations/CD tracks

6. **EXIT**-press to cancel a menu selection or a selected function

7. **AUTO**-search for and store the strongest radio stations in the area in which you are driving

### Searching for stations

There are two ways to manually tune a radio station:

1. Turn the **TUNING** dial (3) to the desired frequency.

2. Press the left or right arrow key on the **MENU NAVIGATION CONTROL** and hold it down. The radio scans slowly in the selected direction and will increase the scanning speed after a few seconds. Release the button when the desired frequency appears in the display.

The frequency can be fine-tuned by short presses on the left/right arrow keys.

### Storing preset stations

#### Manually storing a station

1. Tune to the desired station.

2. Press and hold the preset button under which the station is to be stored. The audio system sound will be interrupted for a few seconds and **STATION STORED** will appear in the display.



## NOTE

A total of 30 stations can be stored; 10 stations each in AM, FM1 and FM2.

### Automatically storing a station

Pressing **AUTO** (7) automatically searches for and stores up to ten strong AM or FM stations in a separate memory. If more than ten stations are found, the ten strongest ones are stored. This function is especially useful in areas in which you are not familiar with radio stations or their frequencies.

To use the AUTO function:

1. Select a waveband using the **AM/FM** button (1).
2. Start the search by pressing **AUTO** until **AUTO STORING** appears in the display.

When the search is completed, **AUTO STORING** will no longer be displayed. If there are no stations with sufficient signal strength, **NO ST FOUND** is displayed.

The auto-stored stations can be selected using the preset buttons (2).

Press **EXIT** (6) to terminate the automatic storing function.

When the radio is in auto-store mode, **AUTO** is shown in the display. **AUTO** disappears when you return to normal radio mode, which can be done by briefly pressing **AM/FM** (1), **EXIT** (6), or **AUTO** (7).



## Radio functions

To return to the Auto-store mode, press the **AUTO** button briefly and select a stored station by pressing one of the preset buttons (2).

### Saving auto-stored stations in the preset memory

An auto-stored station can be saved in the memory for manually preset stations.

1. Press **AUTO** (7) briefly.
2. Auto is displayed.
3. Press one of the preset buttons (2) under which the station is to be stored. Hold down the button until **STATION STORED** is displayed.

The radio will then exit auto-store mode and the stored station can be selected by pressing the preset button.

## Scanning

**SCAN** (4) automatically searches through the selected waveband for strong AM or FM stations. When the radio finds a station, that station will be played for approximately 8 seconds, after which scanning resumes.

Activating/deactivating **SCAN**

1. Select radio mode using the **AM/FM** button (2).
2. Press **SCAN** to activate the function. **SCAN** is shown in the display.

3. Press the **SCAN** or **EXIT** button to deactivate the scan function and listen to the selected station.

### Storing a station found with SCAN

A station can be stored as a preset while the SCAN function is activated.

- Press one of the preset buttons (2) under which the station is to be stored. Hold down the button until **STATION STORED** is displayed.

The SCAN function will be deactivated and the station can be selected by pressing the preset button.

### Radio text

Certain stations broadcast program information, which can be shown in the display.

To start this function:

1. Select FM1 or FM2 and press the **MENU** button.
2. Press **ENTER**.
3. Select **RADIOTEXT** in the menu and press **ENTER**.

To deactivate this function, select **RADIOTEXT** again and press **ENTER**.

237 10 Audio



## Sirius satellite radio (option or retailer-installed accessory)

### Listening to satellite radio

The Sirius satellite system consists of a number of high elevation satellites in geosynchronous orbit.

#### NOTE

- The digital signals from the Sirius satellites are line-of-sight, which means that physical obstructions such as bridges, tunnels, etc. may temporarily interfere with signal reception.
- Avoid any obstructions, such as metallic objects transported on roof racks or in a ski box, or other antennas that may impede signals from the SIRIUS satellites.

### Selecting Sirius radio mode

1. Press Power to switch on the audio system (see [page 235](#) for information on the standard radio functions).
2. Press the **MODE** button repeatedly until Sirius 1 or 2 is displayed.

### Activating Sirius radio

1. Tune to a satellite channel that has no audio, which means that the channel is unsubscribed and the text "CALL 888-539-SIRIUS TO SUBSCRIBE" is displayed (see also "Selecting a channel" below).

2. Call Sirius at 1-888-539-SIRIUS (7474). 3. When asked for the Sirius ID number press **AUTO** to display this number. It is also possible to retrieve the Sirius ID from the MENU.

4. "UPDATING SUBSCRIPTION" will be displayed while the subscription is being updated, after which the display will return to the normal view.

## SIRIUS ID

The SIRIUS ID is required when contacting the Sirius Call Center. It is used to activate your account and when making any account transactions. The SIRIUS ID is sometimes referred to as the Electronic Serial Number (ESN).

### Selecting a channel category

1. Select Sirius radio mode as described above.
2. Press **ENTER**.
3. Use the up/down arrow keys to scroll through the list of categories.
4. Press **ENTER** or the right arrow key to select a category.
5. Use the left or right arrow keys to select a channel in the currently chosen category.
6. Press **ENTER** to listen to a channel.

#### NOTE

- The category "All" is default, which enables you to scroll through the entire list of available satellite channels.
- The channel categories are automatically updated several times a year. This takes approximately two minutes and will interrupt normal broadcasting. A message will be displayed while updating is in progress. Information on channel or feature updates is available at [www.sirius.com](http://www.sirius.com).

### Selecting a channel

There are three ways of tuning in a channel:

- Using the left and right arrow keys
- By turning the tuning control
- Through direct channel entry

### Direct channel entry

The Sirius satellite channels are numbered consecutively throughout all of the categories. To access a channel directly:

1. Press **MENU** and scroll to "Direct channel entry."
2. Use the numerical keypad to enter the channel's number.
3. Press **ENTER**. The radio will tune to this channel, even if it belongs to a category other than the currently selected one.

238 10 Audio



## Sirius satellite radio (option or retailer-installed accessory)

#### NOTE

- The numbers of skipped or locked channels will not be displayed.
- If a channel is locked, the access code must be entered before the channel can be selected. See "Unlocking a channel" on [page 239](#).

## Scanning

 **NOTE**

SCAN automatically searches through the list of satellite channels. See [page 236](#) for more detailed information.

### Storing a channel

- A **long** press on one of the number keys stores the currently tuned channel on that key.
- A **short** press on a number key while the radio is in Sirius 1 or 2 mode will tune to the preset satellite channel stored on that button, regardless of the currently selected channel category.

### Song Seek and Song Memory

The Song Seek and Song Memory functions provide both audio and visual notification when Sirius is broadcasting your favorite songs. Song Seek enables you to store the name of the song for future advance notification when that song is being played. The Song Memory feature makes it possible to view all of the current songs that are stored in memory.

#### Song memory

Up to ten songs can be saved in the system's memory.

1. Press **MENU**.
2. Scroll to "ADD SONG TO SONG MEM." and follow the instructions shown in the display.

If a new song is selected when the memory is full, you will be prompted to press **ENTER** to delete the last song on the list.

 **NOTE**

The remaining songs in the list will move down one position, and the newly added song will be placed at the top of the list.

#### Song seek

When a satellite radio channel plays one of the songs stored in the song memory, the listener will be alerted by a text message and an audible signal.

- Press **ENTER** to listen to the song or **EXIT** to cancel.

To activate/deactivate the song seek function:

1. Press **MENU**
2. Scroll to "SONG SEEK"
3. Press **ENTER** to activate or deactivate the function.

 **NOTE**

When the song has ended, the radio will remain tuned to the channel on which the song was played.

#### Radio text

The text that is displayed about the song that is currently playing can be changed. Use the **AUTO** button or the menu to display the **ARTIST**, **TITLE**, **COMPOSER**, or switch **RADIO TEXT OFF**.



## Sirius satellite radio (option or retailer-installed accessory)

### Advanced settings

This menu function enables you to make settings on certain Sirius satellite radio functions. To access this menu:

1. Press **MENU**.
2. Scroll to Sirius menu.
3. Select **ADVANCED SIRIUS SETTINGS**.



#### WARNING

Settings should be made when the vehicle is at a standstill.

The following settings can be made in the Sirius menu.

- Songs can be added to the song list
- Channel skip settings can be made
- Channel lock settings can be made
- The channel access code can be displayed or changed
- Your Sirius ID can be displayed

### Skip options

This function is used to remove a channel from the list of available channels.

#### Skip current

1. Select **CHANNEL SKIP LIST** and press **ENTER**.
2. Select a category in the list and press **ENTER**.
3. Skip channels in the list presented by pressing **ENTER** or right arrow key.

#### Unskip all channels

This permanently removes all channels from the skip list and makes them available for selection.

#### Temp. unskip all ch.

This function will temporarily unskip all channels and make them available for selection. The channels remain on the skip list and will again be skipped the next time the ignition is switched on.

#### Channel lock

Access to specific channels can be restricted (locked). A locked channel will not provide audio, song titles, or artist information.



#### NOTE

All channels are initially unlocked.

### Locking a channel:



1. Select "SIRIUS ID" in the menu and select LOCK OPTIONS and press **ENTER**.
2. Select CHANNEL LOCK LIST and press **ENTER**
3. Enter the channel access code and press **ENTER**.
4. Select a category in the list and press **ENTER**.
5. Lock channels in the list presented by pressing **ENTER** or right arrow.

The channel is now locked and a checked box will be displayed to indicate this. It will be necessary to enter the channel access code1 in order to listen to a locked channel.

#### **Unlocking a channel:**

A channel's access code1 is required to unlock a channel.

#### **Unlock all channels**

This permanently removes all channels from the locked list and makes them available for selection.

#### **Temp. unlock all ch.**

This function will temporarily unlock all channels and make them available for selection. The channels remain on the locked list and will again be locked the next time the ignition is switched on.



## **Sirius satellite radio (option or retailer-installed accessory)**

### **CHANGE CODE**

This function makes it possible to change the channel access code. The default code is 0000.

To change the code:

1. Select CHANGE CODE and press **ENTER**.
2. Enter the current code and press **ENTER**.
3. Enter the code and press **ENTER**.
4. Confirm the new code and press **ENTER**.

If an incorrect code is entered, the text **WRONG CODE!** is displayed.

#### **If you have forgotten the access code:**

1. Select "SIRIUS ID" in the Sirius settings menu and press **ENTER**.
2. Press and hold the **ENTER** button for 2 seconds.
3. The current code will be displayed.

Your Volvo retailer can also provide you with assistance.

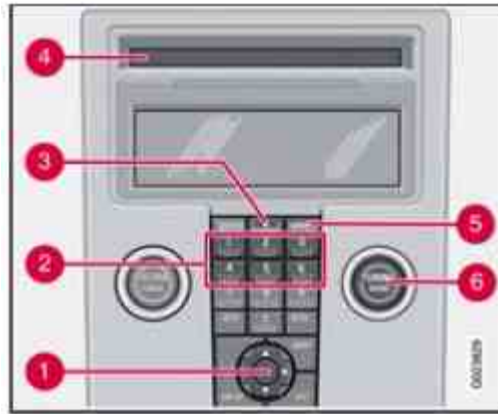
### **SIRIUS ID**

This function displays the 12-digit Sirius activation ID.



## CD player/CD changer (option)

### CD function controls



1. **MENU NAVIGATION CONTROL**-press the up or down arrow keys to scroll in a menu, or the keys on the left/right sides of the control to change CD tracks/fast forward/back
2. Buttons for selecting a disc in the optional CD changer
3. CD eject button
4. CD slot
5. **MODE** button
6. **TUNING** dial for selecting tracks

### Playing a CD

#### Single CD player

Start the CD player by pressing the **MODE** button (5) and inserting a disc in the slot (4). If there is already a disc inserted, it will begin to play.

#### NOTE

If a CD is in the slot when the audio system is in CD mode, the CD will be played automatically.

#### CD changer

The CD changer can hold up to six discs.

1. Start the CD changer by pressing the **MODE** button (5).
2. Select an empty position using the 1-6 buttons or the up/down keys on the MENU NAVIGATION CONTROL. The display shows which positions are empty.
3. Insert a disc into the slot (4).

#### NOTE

Ensure that **INSERT DISC** is displayed before inserting a disc.

- If a CD position in the changer containing a disc is selected, and the audio system is in CD mode when it is switched on, the CD will play automatically.

### CD eject

Eject from Single CD player

Press the eject button (3) to eject the disc.

Eject from CD changer

This function makes it possible to eject a single disc, or to eject all of the discs in the changer.

- Press the eject button (3) briefly to eject the disc that is currently playing.
- A longer press (more than two seconds) starts the process of ejecting all of the discs in the changer.



## CD player/CD changer (option)

### NOTE

The **EJECT ALL** function can only be used while the vehicle is at a standstill and will be cancelled if the vehicle begins to move.

- For reasons of traffic safety, the ejected CD must be removed within 12 seconds or it will be automatically drawn back into the slot and the CD player will enter pause mode. Press the **CD** button to restart the disc.

### CD Pause

When the audio system volume is turned off completely, the CD player will pause and will resume playing when the volume is turned up again.

### Audio files



In addition to playing normal music CDs, the CD player/changer can also play discs containing files in mp3 or wma format.

### NOTE

Certain discs that are copy protected cannot be read by the player.

When a disc with audio files is inserted in the player, the player scans the disc's folders before it begins playing the files. The length of time that this takes depends on the quality of the disc.

### Navigating the disc and playing tracks

If a disc with audio files is in the CD player, press **ENTER** to display a list of folders on the disc. Use the up and down arrows in the navigation control (see the illustration on [page 241](#)) to move among the folders on the disc. Audio files have  the symbol and folders containing these files have the  symbol. Press **ENTER** to play a selected folder or a file.

When the music file has been played, the player will continue to play the rest of the files in the current folder. When all of the files in the folder have been played, the player will automatically go to the next folder and play the files in it.

Press the left or right arrow key on the navigation control if the entire name of the current track does not fit in the display.

## Changing tracks

Briefly press the left or right arrow keys on the MENU NAVIGATION CONTROL to skip to the previous or next track/file.

### NOTE

The **TUNING** dial (6) (turn clockwise to go to the next track/file, or counterclockwise to go to the previous track/file) or the optional steering wheel keypad can also be used for this purpose.

## Fast forward/back

Press and hold down the left or right arrows keys in the MENU NAVIGATION CONTROL (or the corresponding keys on the optional steering wheel keypad) to search within a track/file or the whole disc. The search continues for as long as the buttons are held down.

## Random play

This function plays the tracks/files on a CD (or on all of the CDs if the vehicle is equipped with the optional CD changer) in random order (shuffle).

243 10 Audio



## CD player/CD changer (option)

### Activating/deactivating the random function-CD player

If a normal CD is being played:

1. Press **MENU** followed by **ENTER**.
2. Select Random and press **ENTER**.

If a CD with audio files is being played:

1. Press **MENU** followed by **ENTER**.
2. Select **RANDOM** and press **ENTER**.
3. Select **DISC** or **FOLDER** and press **ENTER**.

### Activating/deactivating the random function-CD changer

If a normal CD is being played:

1. Press **MENU** followed by **ENTER**.
2. Select **RANDOM** and press **ENTER**.
3. Select **SINGLE DISC** or **ALL DISCS** and press **ENTER**.

If a CD with audio files is being played:

1. Press **MENU** followed by **ENTER**.
2. Select **RANDOM** and press **ENTER**.
3. Select **SINGLE DISC** or **FOLDER** and press **ENTER**.

### NOTE



CD changer only-you can only select the next random track/file on the current disc.

Press the **EXIT** button to stop random play. The random function is automatically deactivated when another disc is selected.

### Disc text (CD changer only)

Certain CDs contain information about the disc, such as the titles of the tracks, etc. This information can be shown in the display by activating the DISC TEXT function.

1. Press **MENU**. Select the menu for relevant sound source and press **ENTER**.
2. Select **DISC TEXT** in the menu and press **ENTER**.
3. If information is stored on the disc, it will now appear in the display.

To deactivate this function, select **DISC TEXT** in the menu and press **ENTER**.

### Scan

This function plays the first 10 seconds of each track/file on the CD.

1. Press **SCAN**.
2. Press **EXIT** or **SCAN** to stop the scan function and listen to an entire track/file.

### CD eject

#### Single CD player

Press the eject button (3) to eject the disc.

#### CD changer

This function makes it possible to eject a single disc, or to eject all of the discs in the changer.

- Press the eject button (3) briefly to eject the disc that is currently playing.
- A longer press (more than two seconds) starts the process of ejecting all of the discs in the changer.



### NOTE

- The Eject all function can only be used while the vehicle is at a standstill and will be cancelled if the vehicle begins to move.
- For reasons of traffic safety, the ejected CD must be removed within 12 seconds or it will be automatically drawn back into the slot and the CD player will enter pause mode. Press the **CD** button to restart the disc.

### Compact disc care

Keep the following in mind when playing/handling compact discs

- Do not put tape or labels on the disc itself. They could become stuck in the player.
- CDR discs can cause listening problems due to the quality of the disc or recording equipment used.



## CD player/CD changer (option)

- DualDisc: The audio side of a DualDisc (combined CD/DVD) does not meet CD specifications and may not play in your audio system.
- Keep the discs clean. Wipe them with a soft, clean, lint-free cloth, working from the center outward. If necessary, dampen the cloth with a neutral soap solution. Dry thoroughly before using.
- Never use cleaning spray or antistatic liquid. Use only cleaners specifically made for CDs.
- Use discs of the correct size only (3.5" discs should never be used).
- Volvo does not recommend the use of plastic outer rings on the disc.
- Condensation may occur on discs/optical components of the changer in cold winter weather. The disc can be dried with a clean, lint-free cloth. Optical components in the CD changer may, however, take up to one hour to dry off.
- Never attempt to play a damaged CD.
- When not in use, the discs should be stored in their covers. Avoid storing discs in excessive heat, direct sunlight or in dusty locations.



### Audio menu

#### FM1/FM2 menu

1. RADIOTEXT ON/OFF
2. ADVANCED RADIO SETTINGS
3. AUDIO SETTINGS

#### AM menu

1. 1. AUDIO SETTINGS

#### CD menu

1. RANDOM
2. AUDIO SETTINGS

#### CD changer menu

1. RANDOM
2. DISC TEXT ON/OFF
3. AUDIO SETTINGS

#### AUX menu

1. AUX VOLUME
2. SOUND SETTINGS



# 2008 VOLVO S40

246 11 Specifications



- Label information [248](#)
- Dimensions and weights [250](#)
- Engine oil [253](#)
- Engine specifications [255](#)
- Electrical system [256](#)
- Volvo programs [259](#)

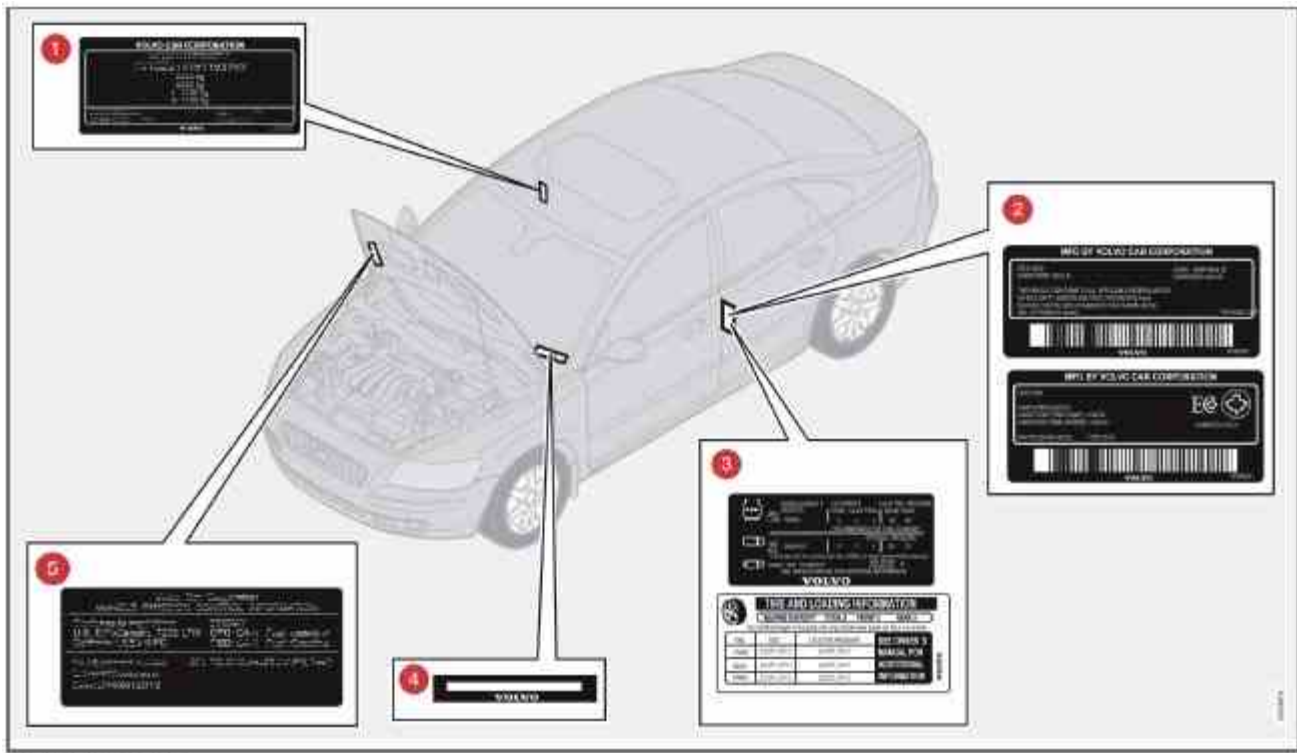
247 11 Specifications



248 11 Specifications



## Label information



Location of the labels



## Label information

### 1. Model plate

Vehicle Identification Number (VIN). Codes for color and upholstery, etc.

### 2. Federal Motor Vehicle Safety Standards (FMVSS) specifications (USA) and Ministry of Transport (CMVSS) standards (Canada)

Your Volvo is designed to meet all applicable safety standards, as evidenced by the certification label on the facing side of the driver's door. For further information regarding these regulations, please consult your Volvo retailer.

### 3. Loads and Tire Pressures

The appearance of the decal will vary, depending on the market for which the vehicle is intended.

Canadian models: upper decal

U.S. models: lower decal

### 4. Vehicle Identification Number (VIN)<sup>1</sup>

The VIN plate is located on the top left surface of the dashboard. The VIN is also stamped on the right hand door pillar.

### 5. Vehicle Emission Control Information

Your Volvo is designed to meet all applicable emission standards, as evidenced by the certification label on the underside of the hood. For further information regarding these regulations, please consult your Volvo retailer.

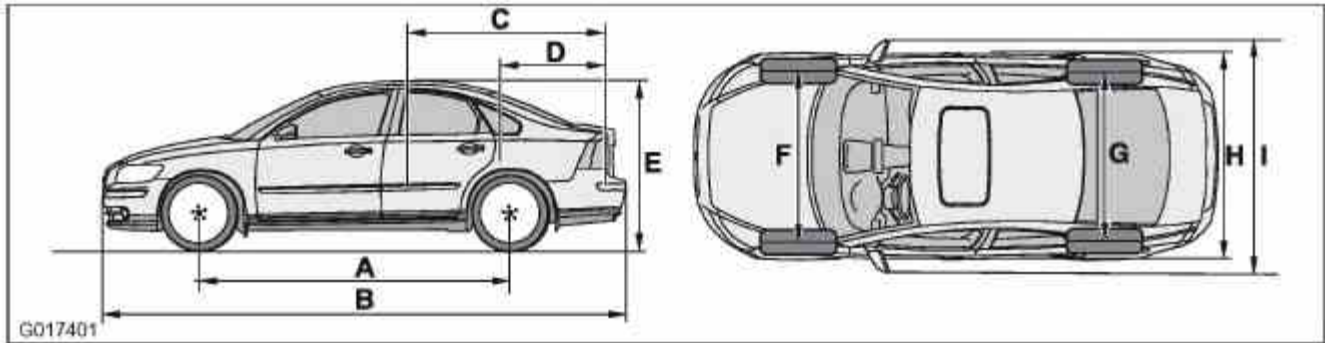
<sup>1</sup>The Vehicle Identification Number (VIN) should always be quoted in correspondence concerning your vehicle with the retailer and when ordering parts.





## Dimensions and weights

### Dimensions



Position	Dimension	in. (mm)
A	Wheelbase	103.9 in. (264 cm)
B	Length	175.9 in. (447 cm)
C	Load length, floor, seat-back down	88.7 in. (175 cm)
D	Load length, floor	38.4 in. (98 cm)
E	Height	57.2 in. (145 cm)
F	Track, front	60.4 in. (154 cm)
G	Track, rear	60.3 in. (153 cm)
H	Width	69.7 in. (177 cm)
I	Width incl. door mirrors	79.6 in. (202 cm)



### CAUTION

The maximum permissible axle loads and/or the gross vehicle weight must not be exceeded.



### WARNING

When adding accessories, equipment, luggage and other cargo to your vehicle, the total capacity weight must not be exceeded.



## Dimensions and weights

### Weights

Category	USA	Canada
Gross vehicle weight	FWD <sup>1</sup> : 4320 lbs FWD Turbo: 4320 lbs AWD <sup>2</sup> Turbo: 4450 lbs	1960 kg 1960 kg 2020 kg
Capacity weight	FWD: 800 lbs AWD: 800 lbs	365 kg 365 kg
Permissible axle weight, front	FWD: 2380 lbs FWD Turbo: 2380 lbs AWD Turbo: 2420 lbs	1080 kg 1080 kg 1100
Permissible axle weight, rear	FWD: 2130 lbs FWD Turbo: 2130 lbs AWD Turbo: 2200 lbs	970 kg 970 kg 1000 kg
Curb weight	FWD: 3165 - 3300 lbs AWD: 3415 - 3455 lbs	1435 - 1505 kg 1555 - 1575 kg
Max. roof load	All models: 165 lbs	All models: 75 kg
Max. trailer weight (w/o brakes) <sup>3</sup>	All models: 1540 lbs	All models: 700 kg
Max. trailer weight (with brakes) <sup>3</sup>	All models: 2000 lbs	All models: 900 kg
Max. tongue weight	All models: 165 lbs	All models: 75 kg

<sup>1</sup>FWD = Front Wheel Drive

<sup>2</sup>AWD = All Wheel Drive

<sup>3</sup>Models equipped with the B5244S7 engine (engine code 39, which is the 6th and 7th digits from the left in your vehicle's VIN number, see [page 249](#) for the location of the VIN plate), may not be used to tow trailers or vehicles of any kind. This could cause damage to the vehicle's emission control systems.



## Dimensions and weights

### Specifications and capacities

Category	Specification	Capacity
Fuel tank	Octane rating: Unleaded premium gasoline with an octane rating AKI of 91, or above. The minimum octane requirement is AKI 87 (RON 91).	15.9 US gallons (60 liters) Models with All Wheel Drive have a tank volume of 15 US gallons (57 liters). Models with engine code 39 have a fuel tank capacity of 14 US gallons (53 liters). This code is the 6th and 7th digits from the left in your vehicle's VIN number. See page 249 for the location of the VIN plate.
Engine oil (with filter replacement)	See page 253 for information on engine oil specifications.	6.1 US quarts (5.8 liters)
Automatic transmission oil	JWS	8.19 US quarts (7.75 liters)
Manual transmission oil	MTF 97309-10	2.2 US quarts (2.1 liters) - non-turbo models 2.1 US quarts (2.0 liters) - turbo models
Coolant	Volvo original coolant/antifreeze (50/50 mixture of water and anti-freeze)	10.5 US quarts (10 liters) - models with automatic transmission 10 US quarts (9.5 liters) - models with manual transmission
Brake fluid	DOT 4+ boiling point >536°F (280°C), P/N 9437433	0.83 US quarts (0.6 liters)
Power steering fluid	WSS M2C204-A or equivalent	1.3 US quarts (1.2 liters) - system and reservoir combined
Washer fluid reservoir	Use washer fluid solvent in cold weather conditions.	6.8 US quarts (6.5 liters)
Air conditioning system	Refrigerant - R134a	1.2 lbs. (530 grams)

#### NOTE

The transmission oil does not normally need to be changed during the service life of the vehicle. However, it may be necessary to replace the oil if the vehicle is often driven in areas of sustained temperature extremes (hot or cold), when towing a trailer over long distances, for prolonged driving in mountainous areas, or if the vehicle is often driven short distances in temperatures under 40°F (5°C).



## Engine oil

### Oil specifications

Engine oil must meet the minimum ILSAC specification GF-3, API SL, or ACEA A1/B1. Lower quality oils may not offer the same fuel economy, engine performance, or engine protection.

Volume: 6.1 US qts (5.8 liters).

Volume between the MIN and Max marks on the dipstick: approximately 1.4 US qts (1.3 liters).

Volvo recommends Castrol.

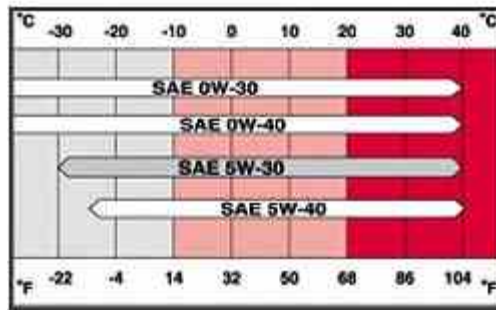
Depending on your driving habits, premium or synthetic oils may provide superior fuel economy and engine protection. Consult your Volvo retailer or a trained and qualified Volvo service technician for recommendations on premium or synthetic oils.

**Oil additives must not be used.**

### **i** NOTE

Synthetic oil is not used when the oil is changed at the normal service intervals. This oil is only used at customer request, at additional charge. Please consult a trained and qualified Volvo service technician.

### Oil viscosity (stable ambient temperatures)



### Operation in hot climates

When temperatures exceed 104° F (40° C) in your area, Volvo recommends, for the protection of your engine, that you use a heavier weight oil, such as SAE 5W-40 or 0W-40. See the viscosity chart.

### Operation in temperate climates

Incorrect viscosity oil can shorten engine life. Under normal use when temperatures do not exceed 104° F (40° C), SAE 5W-30 will provide good fuel economy and engine protection. See the viscosity chart.

### Extreme engine operation

Synthetic oils meeting SAE 0W-30 or 0W-40 and complying with oil quality requirements are recommended for driving in areas of sustained temperature extremes (hot or cold), when towing a trailer over long distances, and for prolonged driving in mountainous areas.

## Engine oil

### American Petroleum Institute (API) symbol



The API Service Symbol "donut" is divided into three parts:

- The upper section describes the oil's performance level.
- The center identifies the oil's viscosity.
- The lower section indicates whether the oil has demonstrated energy-conserving properties in a standard test in comparison to a reference oil.

<sup>1</sup>See the information on [page 254](#).

## Engine specifications

Engine designation	B5244S4	B5244S7	B5254T7
<b>Output<sup>1</sup></b>			
kW/rps	125/100	123/100	169/83
hp/rpm	168/6000	165/8000	227/5000
<b>Torque</b>			
Nm/rps	230/73	230/73	320/25-60
ft. lbs./rpm	170/4400	170/4400	236/1500-4800
No. of cylinders	5	5	5
Displacement (liters/cubic inches)	2.44/148.6	2.44/148.6	2.52/153.8
Bore (mm/in.)	83/3.27	83/3.27	83/3.27
Stroke (mm/in.)	90/3.54	90/3.54	93.2/3.67
Compression ratio	10.3:1	10.3:1	9.0:1
<b>Spark plugs</b>			
type	Volvo kit no. 30650843	Volvo kit no. 30650843	Volvo kit no. 30650379
gap inches/mm	(3x) 0.024 ± 0.004 in./0.6 ± 0.1mm	(3x) 0.024 ± 0.004 in./0.6 ± 0.1mm	0.027in./0.7mm
tightening torque ft. lbs./Nm	22.5 ft. lbs./30 Nm	22.5 ft. lbs./30 Nm	22.5 ft. lbs./30 Nm

<sup>1</sup>The engine specifications for horsepower and torque listed in this table are based on the use of premium fuel.

### Charge air cooler (Intercooler)

Turbocharged engines employ a turbo-compressor to force air into the engine inlet manifold and a charge air cooler to cool the compressed inlet air. The resulting increase in air flow raises pressure in the intake manifold and increases

engine power over that developed by the normally-aspirated engine. The charge air cooler (which resembles a radiator) is located between the turbo-compressor and inlet manifold.

## Fuel system

The engine is equipped with a multiport fuel injection system.



## Electrical system

### General information

12-volt system with voltage controlled generator. Single wire system in which the chassis and engine block are used as conductors, grounded on the chassis.

### Battery

Voltage	12 V	12 V	12 V
Cold start capacity (CCA)	590 A	600 A <sup>1</sup>	700 A <sup>2</sup>
Reserve capacity (RC)	100 min	120 min	135 min
Capacity (Ah)	60	70	80

<sup>1</sup>Models equipped with the High Performance audio system

<sup>2</sup>Models equipped with the Premium Sound audio system, the Volvo Navigation System and/or keyless drive

If the battery must be replaced, replace it with one with the same cold start capacity and reserve capacity as the original (see the decal on the battery).

## WARNING

### PROPOSITION 65 WARNING!

Battery posts, terminals, and related accessories contain lead and lead compounds, chemicals known to the state of California to cause cancer and reproductive harm. Wash hands after handling.



## Electrical system

### Bulbs used in the car

Bulb	Output	Type
Low beam headlight	55W	H7
High beam headlight (applies to vehicles with halogen headlights)	55W	H9
Extra high beam (models with Bi-Xenon <sup>®</sup> or Active Bi-Xenon <sup>®</sup> headlights only)	55W	H7
Brake light, back-up light, rear fog light	21W	P21W
Turn signal, front/rear (applies to models with Bi-Xenon <sup>®</sup> or halogen headlights)	21W	PY21W
Turn signal, front/rear (models with Active Bi-Xenon <sup>®</sup> headlights)	24W	P21/5W
Rear parking light, side marker light	5W	P21/W5
Footwell lighting, cargo compartment light, license plate lighting	5W	C5W
Vanity mirror	1.2W	Festoon
Front parking light, side turn signal	5W	W5W
Front fog light (option)	35W	H8
Glove compartment light	3W	Festoon



## Electrical system

### Three-way catalytic converter - general information

- Keep your engine properly tuned. Certain engine malfunctions, particularly involving the electrical, fuel or distributor ignition systems, may cause unusually high three-way catalytic converter temperatures. Do not continue to operate your vehicle if you detect engine misfire, noticeable loss of power or other unusual operating conditions, such as engine overheating or backfiring. A properly tuned engine will help avoid malfunctions that could damage the three-way catalytic converter.
- Do not park your vehicle over combustible materials, such as grass or leaves, which can come into contact with the hot exhaust system and cause such materials to ignite under certain wind and weather conditions.
- Excessive starter cranking (in excess of one minute), or an intermittently firing or flooded engine can cause three-way catalytic converter or exhaust system overheating.
- Remember that tampering or unauthorized modifications to the engine, the Electronic Control Module, or the vehicle may be illegal and can cause three-way catalytic converter or exhaust system overheating.

This includes:

- Altering fuel injection settings or components.
- Altering emission system components or location or removing components.
- Repeated use of leaded fuel.

#### NOTE

Unleaded fuel is required for vehicles with three-way catalytic converters.



## Volvo programs

### Volvo On Call Roadside Assistance

Your new Volvo comes with a four year ON CALL roadside assistance. Additional information, features, and benefits are described in a separate information package in your glove compartment. If you have misplaced your package, dial:

In the U.S.A. 1-800-638-6586 (1-800-63-VOLVO)

In Canada: 1-800-263-0475

## Technician certification

In addition to Volvo factory training, Volvo supports certification by the National Institute for Automotive Service Excellence (A.S.E.). Certified technicians have demonstrated a high degree of competence in specific areas. Besides passing exams, each technician must also have worked in the field for two or more years before a certificate is issued. These professional technicians are best able to analyze vehicle problems and perform the necessary maintenance procedures to keep your Volvo at peak operating condition.

---



[Contents](#) | [Top of Page](#)

# 2008 VOLVO S40

260-  
265 12 Index



12-volt socket	<a href="#">58</a>
<b>A</b>	
ABS	<a href="#">6, 147</a>
malfunction of the ABS system	<a href="#">53</a>
Accessory Installation- Important Warning	<a href="#">8</a>
Active Bi-Xenon® headlights	<a href="#">59</a>
Active yaw control - AYC	<a href="#">149</a>
Air conditioning	<a href="#">86</a>
Air distribution	<a href="#">95, 251</a>
Air vents	<a href="#">88</a>
Airbag system	<a href="#">17</a>
Alarm	<a href="#">124</a>
All Wheel Drive	<a href="#">146</a>
Antifreeze	<a href="#">206</a>
Anti-lock Brake System (ABS)	<a href="#">6</a>
Approach lighting	<a href="#">78, 113</a>
Audio system	
CD player	<a href="#">242</a>
menu settings	<a href="#">245</a>
radio functions	<a href="#">235</a>
Sirius satellite radio	<a href="#">237</a>
system introduction	<a href="#">230</a>
USB/iPOD connector	<a href="#">232</a>
Autolock	<a href="#">78</a>
Automatic sound control	<a href="#">234</a>
Automatic transmission - Geartronic	<a href="#">141</a>
Autostart	<a href="#">136</a>
AUX (audio system)	<a href="#">230</a>
AUX menu	<a href="#">245</a>
Auxiliary equipment	<a href="#">58</a>
AWD	<a href="#">146</a>
<b>B</b>	
Backrests, rear seat	<a href="#">108</a>
Battery	
avoiding drain	<a href="#">130</a>



conserving electrical current	<a href="#">130</a>
maintenance	<a href="#">209</a>
replacement	<a href="#">210</a>
specifications	<a href="#">256</a>
Battery replacement, remote control	<a href="#">114</a>
Bi-Xenon® headlights	<a href="#">59</a> , <a href="#">212</a> , <a href="#">214</a>
Black box (Vehicle Event Data)	<a href="#">200</a>
Blind Spot Information System (BLIS)	<a href="#">158 - 160</a>
Booster cushion accessory	<a href="#">40</a>
Brake fluid	<a href="#">207</a>
Brake lights	<a href="#">60</a>
Bulbs	
list of	<a href="#">257</a>
replacing	<a href="#">211</a>
<b>C</b>	
Capacities, fluids	<a href="#">252</a>
Cargo area lighting, replacing	<a href="#">218</a>
Catalytic converter, three-way	<a href="#">258</a>
<b>CD</b>	
changer	<a href="#">241</a>
changer menu (option)	<a href="#">245</a>
eject	<a href="#">241</a>
files with MP3 or WMA format	<a href="#">242</a>
menu	<a href="#">245</a>
pause	<a href="#">242</a>
player	<a href="#">241</a>
single player	<a href="#">241</a>
Central locking system, remote controls	<a href="#">112</a>
Changing oil	<a href="#">205</a>
Charge air cooler	<a href="#">255</a>
Child restraint anchors	<a href="#">41</a> , <a href="#">42</a>
Child restraints	<a href="#">33</a>
recalls and registration	<a href="#">43</a>
Child safety	<a href="#">30</a>
Child safety locks	<a href="#">123</a>
Clock setting	<a href="#">77</a>
Cold weather precautions	<a href="#">129</a>
Compact disc care	<a href="#">243</a>
Compass, rear view mirror (option)	<a href="#">73</a>
Convertible seats	<a href="#">37</a>
Coolant	<a href="#">206</a>
Courtesy lighting	<a href="#">101</a>
Crash mode	<a href="#">29</a>
Cup holders	<a href="#">106</a>

## **D**

Dimensions	<a href="#">250</a>
Disabling the passenger's side front airbag	<a href="#">21</a>
Display, instrument panel	<a href="#">49</a>
Door open warning	<a href="#">55</a>
Driving through water	<a href="#">129</a>
DSTC, stability system	<a href="#">53</a>
Dynamic Stability and Traction Control (DSTC)	<a href="#">149</a>

## **E**

Economical driving	<a href="#">128</a>
Electrical current - conserving	<a href="#">130</a>
Electrical system	<a href="#">256</a>
Electronic Brake Force Distribution (EBD)	<a href="#">148</a>
Electronic Climate Control (ECC) - option	<a href="#">92</a>
Emergency brake lights	<a href="#">60</a>
Emission inspection readiness	<a href="#">202</a>
Engine oil	
changing	<a href="#">205</a>
specifications	<a href="#">253</a>
Engine specifications	<a href="#">255</a>
Environment	<a href="#">7</a>
Equalizer, audio system	<a href="#">233</a>

## **F**

Federal Clean Air Act	<a href="#">200</a>
Floor mats placing correctly	<a href="#">137</a>
FM1/FM2 menu	<a href="#">245</a>
Fog lights	
front (option)	<a href="#">60</a>
rear	<a href="#">53, 60</a>
Front airbags	<a href="#">18-19, 21</a>
Front fog light, replacing	<a href="#">216</a>
Front seats, manual adjustment	<a href="#">98</a>
Front seats, power	<a href="#">99</a>
Fuel filler cap	<a href="#">6</a>
Fuel filler door	<a href="#">6, 133</a>
Fuel filler door, unlocking	<a href="#">60</a>
Fuel level warning light	<a href="#">53</a>
Fuel requirements	<a href="#">132</a>
Fuel system	<a href="#">255</a>
Fuses, replacing	<a href="#">220</a>

## **G**

Gasoline	<a href="#">131</a>
Geartronic (manual shifting)	<a href="#">141</a>
General information	<a href="#">86</a>

Generator	<a href="#">254</a>
Generator warning light	<a href="#">54</a>
Glossary of tire terminology	<a href="#">174</a>
Glove compartment	<a href="#">104</a>
locking	<a href="#">123</a>
<b>H</b>	
Hazard warning flashers	<a href="#">69</a>
Head restraints, rear seat	<a href="#">107</a>
Headlight housing, removing	<a href="#">212</a>
Headlights Active Bi-Xenon®	<a href="#">59</a>
Headlights, high and low beams	<a href="#">62</a>
High beam bulb, replacing	<a href="#">213</a>
High beam flash	<a href="#">62</a>
High beam indicator	<a href="#">50</a>
Home safe lighting	<a href="#">62, 78</a>
HomeLink® Universal Transceiver	<a href="#">80</a>
Hood, opening	<a href="#">203</a>
<b>I</b>	
Ignition switch	<a href="#">135</a>
Immobilizer (start inhibitor)	<a href="#">112, 136</a>
Indicator and warning symbols	<a href="#">49, 53</a>
Infant seats	<a href="#">35</a>
Inflatable Curtain	<a href="#">25</a>
Inflation pressure table	
Canadian models	<a href="#">173</a>
US models	<a href="#">172</a>
Information display	<a href="#">49</a>
Information display, messages	<a href="#">57</a>
Information symbol	<a href="#">49, 51</a>
Inspection readiness	<a href="#">202</a>
Instrument overview	<a href="#">46</a>
Instrument panel	<a href="#">49</a>
Instrument panel lighting	<a href="#">60</a>
iPOD connector (audio system)	<a href="#">232</a>
ISOFIX/LATCH anchors	<a href="#">41</a>
<b>J</b>	
Jack, positioning correctly	<a href="#">184</a>
Jacket hanger	<a href="#">104</a>
Jump starting	<a href="#">153</a>
<b>K</b>	
Key blade	<a href="#">115</a>
Keyless drive	
location of antennas (pacemaker warning)	<a href="#">121</a>
starting the vehicle with	<a href="#">138</a>

using	<a href="#">118</a>
Keylock	<a href="#">6, 136</a>
Kickdown	<a href="#">143</a>
<b>L</b>	
Label information	<a href="#">249</a>
License plate lighting, replacing	<a href="#">218</a>
Lighting panel	<a href="#">59</a>
Locking	
from the inside	<a href="#">122</a>
valet	<a href="#">116</a>
Long distance trips	<a href="#">131</a>
Low beam bulb, replacing	<a href="#">213</a>
Low beam headlight	<a href="#">62</a>
<b>M</b>	
Maintenance	<a href="#">200</a>
Malfunction indicator light	<a href="#">53</a>
Manual climate control	<a href="#">89</a>
Manual front seat adjustment	<a href="#">98</a>
Manual shifting (Geartronic)	<a href="#">142</a>
Mirrors, rearview mirror	<a href="#">73</a>
Moonroof	<a href="#">75</a>
MP3 files, CDs containing	<a href="#">242</a>
MP3 player, connecting	<a href="#">230</a>
<b>O</b>	
OBD II	<a href="#">202</a>
Occupant safety	<a href="#">12</a>
Octane rating	<a href="#">132</a>
Oil pressure warning light	<a href="#">54</a>
Oil, changing	<a href="#">205</a>
On Call Roadside Assistance	<a href="#">259</a>
Onboard Diagnostic System (OBD II)	<a href="#">202</a>
Opening the hood	<a href="#">203</a>
Opening the trunk from the inside	<a href="#">122</a>
<b>P</b>	
Pacemaker (keyless drive warning)	<a href="#">121</a>
Panel lighting, instrument	<a href="#">60</a>
Panic alarm, central locking system remote control	<a href="#">113</a>
Park assist	<a href="#">162-164</a>
Parking brake	<a href="#">54, 70</a>
Parking light bulb, replacing	<a href="#">214</a>
Parking lights	<a href="#">59</a>
Passenger's side front airbag, disabling	<a href="#">21</a>
Personal settings	<a href="#">77</a>
Power door mirrors	<a href="#">74</a>

Power front seats	<a href="#">99</a>
Power moonroof	<a href="#">75</a>
Power steering fluid	<a href="#">207</a>
Power windows	<a href="#">71</a>
PROPOSITION 65 WARNING	<a href="#">209</a> , <a href="#">256</a>

## **R**

Radio functions	<a href="#">235</a>
Radio text	<a href="#">236</a>
Radio, Sirius satellite	<a href="#">237</a>
Rain sensor (option)	<a href="#">68</a>
Reading lights, rear	<a href="#">101</a>
Rear fog light	<a href="#">53</a>
Rear seat backrests, folding down	<a href="#">108</a>
Rear seat head restraints	<a href="#">107</a>
Rearview mirror	<a href="#">73</a>
Rearview mirror with compass (option)	<a href="#">73</a>
Recalls, child restraints	<a href="#">43</a>
Refueling	<a href="#">132</a> , <a href="#">134</a>
Registering child restraints	<a href="#">43</a>
Remote control	
battery replacement	<a href="#">114</a>
central locking system	<a href="#">112</a>
functions	<a href="#">113</a>
Removing a wheel	<a href="#">184</a>
Replacing fuses	<a href="#">220</a>
Reporting safety defects	
Canada	<a href="#">13</a>
USA	<a href="#">12</a>
Rotating tires	<a href="#">183</a>

## **S**

Safety defects, reporting	
Canada	<a href="#">13</a>
USA	<a href="#">12</a>
Safety locks, child	<a href="#">123</a>
Satellite radio	<a href="#">237</a>
Seat belt	<a href="#">14</a>
maintenance	<a href="#">16</a>
reminder	<a href="#">16</a> , <a href="#">54</a>
Service locking	<a href="#">116</a>
Shiftlock	<a href="#">6</a>
Shiftlock override	<a href="#">145</a>
Side impact protection (SIPS) airbags	<a href="#">24</a>
Side marker light, replacing	<a href="#">215</a>
Sirius satellite radio	<a href="#">237</a>

Snow chains	<a href="#">180</a>
Sound control, automatic	<a href="#">234</a>
Speedometer	<a href="#">49</a>
SRS warning light	<a href="#">54</a>
Stability and Traction Control (STC)	<a href="#">149</a>
Stability system	<a href="#">149</a>
Stability system (STC/DSTC)	<a href="#">53</a>
Start inhibitor (immobilizer)	<a href="#">112</a>
Starting the vehicle	<a href="#">136</a>
Steering wheel lock	<a href="#">135</a>
Storage compartments	<a href="#">103</a> , <a href="#">105</a>
Sunroof (moonroof)	<a href="#">75</a>
<b>T</b>	
Tachometer	<a href="#">49</a>
Taillight bulb holder, removing	<a href="#">217</a>
Technician certification	<a href="#">259</a>
Temperature gauge	<a href="#">50</a>
Temporary spare	<a href="#">181</a>
Three-way catalytic converter	<a href="#">258</a>
Tire designations	<a href="#">174</a>
Tire inflation pressure	
Canadian models	<a href="#">173</a>
US models	<a href="#">172</a>
Tire pressure monitoring system	<a href="#">187</a>
Tires	
general information	<a href="#">168</a>
tire pressure monitoring system	<a href="#">187</a> , <a href="#">188</a>
tire rotation	<a href="#">183</a>
Traction control - TC	<a href="#">149</a>
Trailer hitch, detachable	<a href="#">156</a>
Transmission, automatic	<a href="#">141</a>
Tread wear indicator	<a href="#">168</a> , <a href="#">169</a>
Trip odometer	<a href="#">50</a>
Trunk	<a href="#">109</a>
opening from the inside	<a href="#">122</a>
Turn signal bulb, replacing	<a href="#">215</a>
Turn signals	<a href="#">62</a>
<b>U</b>	
Unlocking fuel filler door	<a href="#">60</a>
USB connector (audio system)	<a href="#">232</a>
<b>V</b>	
Valet locking	<a href="#">116</a> , <a href="#">117</a>
Vanity mirror lighting, replacing	<a href="#">219</a>
Vehicle dimensions	<a href="#">250</a>

Vehicle Event Data	<a href="#">200</a>
Vehicle Identification Number	<a href="#">249</a>
Volvo and the environment	<a href="#">7</a>
Volvo Customer Care Center, contacting	<a href="#">1</a> , <a href="#">19</a> , <a href="#">22</a>
Volvo Inflatable Curtain	<a href="#">25</a>
Volvo maintenance	<a href="#">200</a>
Volvo On Call Roadside Assistance	<a href="#">259</a>
<b>W</b>	
Warning flashers	<a href="#">69</a>
Warning symbol	<a href="#">49</a> , <a href="#">51</a>
Warranties	<a href="#">200</a>
Washer fluid	<a href="#">206</a>
Water, driving through	<a href="#">129</a>
Weight distribution	<a href="#">128</a>
Weights	<a href="#">251</a>
Wheel nuts	<a href="#">182</a>
Wheels	
removing	<a href="#">184</a>
storing	<a href="#">168</a>
Whiplash Protection System (WHIPS)	<a href="#">27</a>
Windshield washer fluid	<a href="#">206</a>
Windshield wiper blades	<a href="#">208</a>
WMA files, CDs containing	<a href="#">242</a>

---

