

## Foreword

---

**Congratulations on choosing a SUBARU vehicle. This Owner's Manual has all the information necessary to keep your SUBARU in excellent condition and to properly maintain the emission control system for minimizing emission pollutants. We urge you to read this manual carefully so that you may understand your vehicle and its operation. For information not found in this Owner's Manual, such as details concerning repairs or adjustments, please contact the dealer from whom you purchased your SUBARU or the nearest SUBARU dealer.**

**The information, specifications and illustrations found in this manual are those in effect at the time of printing. FUJI HEAVY INDUSTRIES LTD. reserves the right to change specifications and designs at any time without prior notice and without incurring any obligation to make the same or similar changes on vehicles previously sold. This Owner's Manual applies to all models and covers all equipment, including factory installed options. Some explanations, therefore may be for equipment not installed in your vehicle.**

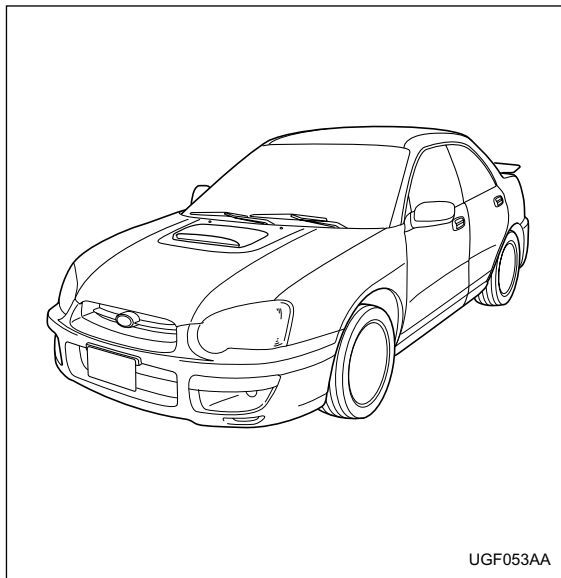
**Please leave this manual in the vehicle at the time of resale. The next owner will need the information found herein.**

**FUJI HEAVY INDUSTRIES LTD., TOKYO, JAPAN**

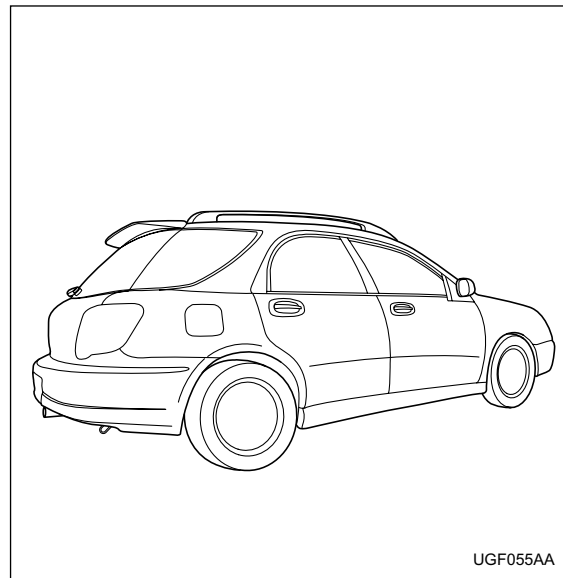
 **SUBARU** is a registered trademark of FUJI HEAVY INDUSTRIES LTD.

© copyright 2004 FUJI HEAVY INDUSTRIES LTD.

This manual describes the following vehicle types.



**Sedan**



**Wagon and OUTBACK SPORT**



---

## Warranties

---

### ■ Warranties for U.S.A.

All SUBARU vehicles distributed by Subaru of America, Inc. and sold at retail by an authorized SUBARU dealer in the United States come with the following warranties:

- SUBARU Limited Warranty
- Emission Control Systems Warranty
- Emissions Performance Warranty

All warranty information, including details of coverage and exclusions, is in the "Warranty and Maintenance Booklet". Please read these warranties carefully.

### ■ Warranties for Canada

All SUBARU vehicles distributed by Subaru Canada, Inc. and sold at retail by an authorized SUBARU dealer in Canada come with the following warranties:

- SUBARU Limited Warranty
- Anti-Corrosion Warranty
- Emission Control Warranty

All warranty information, including details of coverage and exclusions, is in the Warranty and Service Booklet. Please read these warranties carefully.

### ▼ WRX-STi (U.S. model only)

 **NOTE**

**WRX-STi models are equipped with High Intensity Discharge (HID) headlights that contain mercury. For that reason, it is necessary to remove HID headlights before vehicle disposal. Once removed, please reuse, recycle or dispose of the HID headlights as hazardous waste.**

### ▼ All models except U.S. model WRX-STi

 **NOTE**

**This vehicle does not contain mercury devices or parts.**

---

– CONTINUED –

---

## How to use this owner's manual

---

### ■ Using your Owner's manual

Before you operate your vehicle, carefully read this manual. To protect yourself and extend the service life of your vehicle, follow the instructions in this manual. Failure to observe these instructions may result in serious injury and damage to your vehicle.

This manual is composed of fourteen chapters. Each chapter begins with a brief table of contents, so you can usually tell at a glance if that chapter contains the information you want.

#### **Chapter 1: Seat, seatbelt and SRS airbags**

This chapter informs you how to use the seat and seatbelt and contains precautions for the SRS airbags.

#### **Chapter 2: Keys and doors**

This chapter informs you how to operate the keys, locks and windows.

#### **Chapter 3: Instruments and controls**

This chapter informs you about the operation of instrument panel indicators and how to use the instruments and other switches.

#### **Chapter 4: Climate Control**

This chapter informs you how to operate the climate control.

#### **Chapter 5: Audio**

This chapter informs you how to operate your audio system.

#### **Chapter 6: Interior equipment**

This chapter informs you how to operate interior equipment.

#### **Chapter 7: Starting and operating**

This chapter informs you how to start and operate your SUBARU.

#### **Chapter 8: Driving tips**

This chapter informs you how to drive your SUBARU in various conditions and explains some safety tips on driving.

#### **Chapter 9: In case of emergency**

This chapter informs you what to do if you have a problem while driving, such as a flat tire or engine overheating.

#### **Chapter 10: Appearance care**

This chapter informs you how to keep your SUBARU looking good.

#### **Chapter 11: Maintenance and service**

This chapter informs you when you need to take your SUBARU to the dealer for scheduled maintenance and informs you how to keep your SUBARU running properly.

#### **Chapter 12: Specifications**

This chapter informs you about dimension and capacities of your SUBARU.

---

## Chapter 13: Consumer information and Reporting safety defects

This chapter informs you about Uniform tire quality grading standards and Reporting safety defects.

## Chapter 14: Index

This is an alphabetical listing of all that's in this manual. You can use it to quickly find something you want to read.

### ■ Safety warnings

You will find a number of WARNINGS, CAUTIONS and NOTES in this manual.

These safety warnings alert you to potential hazards that could result in injury to you or others.

Please read these safety warnings as well as all other portions of this manual carefully in order to gain a better understanding of how to use your SUBARU vehicle safely.

#### WARNING

**A WARNING indicates a situation in which serious injury or death could result if the warning is ignored.**

---

#### CAUTION

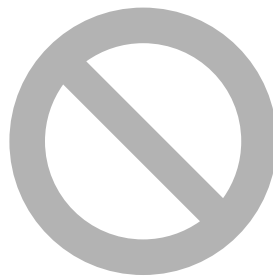
**A CAUTION indicates a situation in which injury or damage to your vehicle, or both, could result if the caution is ignored.**

---

#### NOTE

**A NOTE gives information or suggestions how to make better use of your vehicle.**

### ■ Safety symbol



HSF019AA

You will find a circle with a slash through it in this man-

– CONTINUED –









---










ual. This symbol means “Do not”, “Do not do this”, or “Do not let this happen”, depending upon the context.











## Vehicle symbols

---

There are some of the symbols you may see on your vehicle.


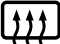




Mark	Name
	CAUTION
	Power door lock and unlock
	Passenger's windows lock and unlock
	Fuel
	Front fog lights
	Parking lights
	Hazard warning flasher
	Cigarette lighter

Mark	Name
	Engine hood
	Trunk lid (Sedan)
	Seat heater
	Child restraint top tether anchorages
	Child restraint lower anchorages
	Horn
	Windshield wiper deicer
	Wiper intermittent
	Windshield wiper and washer

Mark	Name
	Rear window wiper and washer
	Lights
	Parking lights, tail lights, license plate light and instrument panel illumination
	Head lights
	Illumination brightness
	Fan speed
	Instrument panel outlets
	Instrument panel outlets and foot outlets
	Foot outlets
	Windshield defroster and foot outlets

– CONTINUED –



Mark	Name
	Windshield defroster
	Rear window defogger/Outside mirror defogger
	Air recirculation
	Outside air
	Engine oil
	Washer

## Safety precautions when driving

### ■ Seatbelt and SRS airbag

#### WARNING

- All persons in the vehicle should fasten their seatbelts **BEFORE** the vehicle starts to move. Otherwise, the possibility of serious injury becomes greater in the event of a sudden stop or accident.
- To obtain maximum protection in the event of an accident, the driver and all passengers in the vehicle should always wear seatbelts when the vehicle is moving. The SRS (Supplemental Restraint System) airbag does not do away with the need to fasten seatbelts. In combination with the seatbelts, it offers the best combined protection in case of a serious accident. Not wearing a seatbelt increases the chance of severe injury or death in a crash even when the vehicle has the SRS airbag.
- The SRS airbags deploy with considerable speed and force. Occupants who are out of proper position when the SRS airbag deploys could suffer very serious injuries. Because the SRS airbag needs enough space for deploy-

---

ment, the driver should always sit upright and well back in the seat as far from the steering wheel as practical while still maintaining full vehicle control and the front passenger should move the seat as far back as possible and sit upright and well back in the seat.

Carefully read the sections “Seatbelts” and “\*SRS airbag (Supplemental Restraint System airbag)” in chapter 1 of this owner’s manual for instructions and precautions concerning the seatbelt system and SRS airbag system.

## ■ Child safety

### **WARNING**

- Never hold a child on your lap or in your arms while the vehicle is moving. The passenger cannot protect the child from injury in a collision, because the child will be caught between the passenger and objects inside the vehicle.
- While riding in the vehicle, infants and small children should always be placed in the REAR seat in an infant or child restraint system which is appropriate for the child’s age, height and

weight. If a child is too big for a child restraint system, the child should sit in the REAR seat and be restrained using the seatbelts. According to accident statistics, children are safer when properly restrained in the rear seating positions than in the front seating positions. Never allow a child to stand up or kneel on the seat.

- Put children aged 12 and under in the REAR seat properly restrained at all times in a child restraint device or in a seatbelt. The SRS airbag deploys with considerable speed and force and can injure or even kill children, especially if they are 12 years of age and under and are not restrained or improperly restrained. Because children are lighter and weaker than adults, their risk being injured from deployment is greater.

- NEVER INSTALL A REARWARD FACING CHILD SEAT IN THE FRONT SEAT. DOING SO RISKS SERIOUS INJURY OR DEATH TO THE CHILD BY PLACING THE CHILD’S HEAD TOO CLOSE TO THE SRS AIRBAG.

- Always use the child safety locks whenever a child rides in the rear seat. Serious injury could result if a child accidentally opened the door and fell out. Refer to the “Child safety locks” section in chapter 2.

– CONTINUED –

---

- **Always lock the passenger's windows using the lock switch when children are riding in the vehicle. Failure to follow this procedure could result in injury to a child operating the power window. Refer to the "Windows" section in chapter 2.**

- **Never leave unattended children in the vehicle. They could accidentally injure themselves or others through inadvertent operation of the vehicle. Also, on hot or sunny days, temperature in a closed vehicle could quickly become high enough to cause severe or possibly fatal injuries to them.**

- **Help prevent young children from locking themselves in the trunk. When leaving the vehicle, either close all windows and lock all doors or cancel the inside trunk lid release. Also make certain that the trunk is closed. On hot or sunny days, the temperature in a trunk could quickly become high enough to cause death or serious heat-related injuries including brain damage, particularly for small children.**

Carefully read the sections "Child restraint systems", "SRS airbag (Supplemental Restraint System airbag)", and "Seatbelts" in chapter 1 of this owner's manual for instructions and precautions concerning

the child restraint system, seatbelt system and SRS airbag system.

## ■ Engine exhaust gas (Carbon monoxide)

### WARNING

- **Never inhale engine exhaust gas. Engine exhaust gas contains carbon monoxide, a colorless and odorless gas which is dangerous, or even lethal, if inhaled.**

- **Always properly maintain the engine exhaust system to prevent engine exhaust gas from entering the vehicle.**

- **Never run the engine in a closed space, such as a garage, except for the brief time needed to drive the vehicle in or out of it.**

- **Avoid remaining in a parked vehicle for a lengthy time while the engine is running. If that is unavoidable, then use the ventilation fan to force fresh air into the vehicle.**

- **Always keep the front ventilator inlet grille free from snow, leaves or other obstructions to ensure that the ventilation system always works properly.**

- **If at any time you suspect that exhaust fumes**

---

are entering the vehicle, have the problem checked and corrected as soon as possible. If you must drive under these conditions, drive only with all windows fully open.

- Keep the trunk lid or rear gate closed while driving to prevent exhaust gas from entering the vehicle.

---

## ■ Drinking and driving

### WARNING

Drinking and then driving is very dangerous. Alcohol in the bloodstream delays your reaction and impairs your perception, judgment and attentiveness. If you drive after drinking – even if you drink just a little – it will increase the risk of being involved in a serious or fatal accident, injuring or killing yourself, your passengers and others. In addition, if you are injured in the accident, alcohol may increase the severity of that injury.

**Please don't drink and drive.**

---

Drunken driving is one of the most frequent causes of

accidents. Since alcohol affects all people differently, you may have consumed too much alcohol to drive safely even if the level of alcohol in your blood is below the legal limit. The safest thing you can do is never drink and drive. However if you have no choice but to drive, stop drinking and sober up completely before getting behind the wheel.

## ■ Drugs and driving

### WARNING

There are some drugs (over the counter and prescription) that can delay your reaction time and impair your perception, judgment and attentiveness. If you drive after taking them, it may increase your, your passengers' and other persons' risk of being involved in a serious or fatal accident.

---

If you are taking any drugs, check with your doctor or pharmacist or read the literature that accompanies the medication to determine if the drug you are taking can impair your driving ability. Do not drive after taking any medications that can make you drowsy or otherwise affect your ability to safely operate a motor vehicle. If

– CONTINUED –

---

you have a medical condition that requires you to take drugs, please consult with your doctor.

Never drive if you are under the influence of any illicit mind-altering drugs. For your own health and well-being, we urge you not to take illegal drugs in the first place and to seek treatment if you are addicted to those drugs.

### ■ Driving when tired or sleepy

#### WARNING

**When you are tired or sleepy, your reaction will be delayed and your perception, judgment and attentiveness will be impaired. If you drive when tired or sleepy, your, your passengers' and other persons' chances of being involved in a serious accident may increase.**

Please do not continue to drive but instead find a safe place to rest if you are tired or sleepy. On long trips, you should make periodic rest stops to refresh yourself before continuing on your journey. When possible, you should share the driving with others.

### ■ Modification of your vehicle

#### CAUTION

**Your vehicle should not be modified. Modification could affect its performance, safety or durability, and may even violate governmental regulations. In addition, damage or performance problems resulting from modification may not be covered under warranties.**

### ■ Mobile phones and driving

#### CAUTION

**Do not use a hand-held phone while driving; it may distract your attention from driving and can lead to an accident. If you use a hand-held phone, pull off the road and park in the safe place before using your phone. In some States/Provinces, only hands-free phones may legally be used while driving.**

---

## ■ Driving with pets

Unrestrained pets can interfere with your driving and distract your attention from driving. In a collision or sudden stop, unrestrained pets or cages can be thrown around inside the vehicle and hurt you or your passengers. Besides, the pets can be hurt under these situations. It is also for their own safety that pets should be properly restrained in your vehicle. Restrain a pet with a special traveling harness which can be secured to the rear seat with a seatbelt or use a pet carrier which can be secured to the rear seat by routing a seatbelt through the carrier's handle. Never restrain pets or pet carriers in the front passenger's seat. For further information, consult your veterinarian, local animal protection society or pet shop.

## ■ Tire pressures

Check and, if necessary, adjust the pressure of each tire (including the spare) at least once a month and before any long journey.

Check the tire pressure when the tires are cold. Use a pressure gauge to adjust the tire pressures to the values shown on the tire placard.

Refer to the "Tires and wheels" section in chapter 11 for detailed information.

---

### WARNING

**Driving at high speeds with excessively low tire pressures can cause the tires to deform severely and to rapidly become hot. A sharp increase in temperature could cause tread separation, and destruction of the tires. The resulting loss of vehicle control could lead to an accident.**

---

## ■ California proposition 65 warning

### WARNING

**Engine exhaust, some of its constituents, and certain vehicle components contain or emit chemicals known to the State of California to cause cancer and birth defects or other reproductive harm. In addition, certain fluids in vehicles and certain components of product wear contain or emit chemicals known to the State of California to cause cancer and birth defects or other reproductive harm.**

---

---

---

---

---

---

---

---

---

---

---

---

---

## Table of contents

<i>Seat, seatbelt and SRS airbags</i>	<b>1</b>
<i>Keys and doors</i>	<b>2</b>
<i>Instruments and controls</i>	<b>3</b>
<i>Climate control</i>	<b>4</b>
<i>Audio</i>	<b>5</b>
<i>Interior equipment</i>	<b>6</b>
<i>Starting and operating</i>	<b>7</b>
<i>Driving tips</i>	<b>8</b>
<i>In case of emergency</i>	<b>9</b>
<i>Appearance care</i>	<b>10</b>
<i>Maintenance and service</i>	<b>11</b>
<i>Specifications</i>	<b>12</b>
<i>Consumer information and Reporting safety defects</i>	<b>13</b>
<i>Index</i>	<b>14</b>

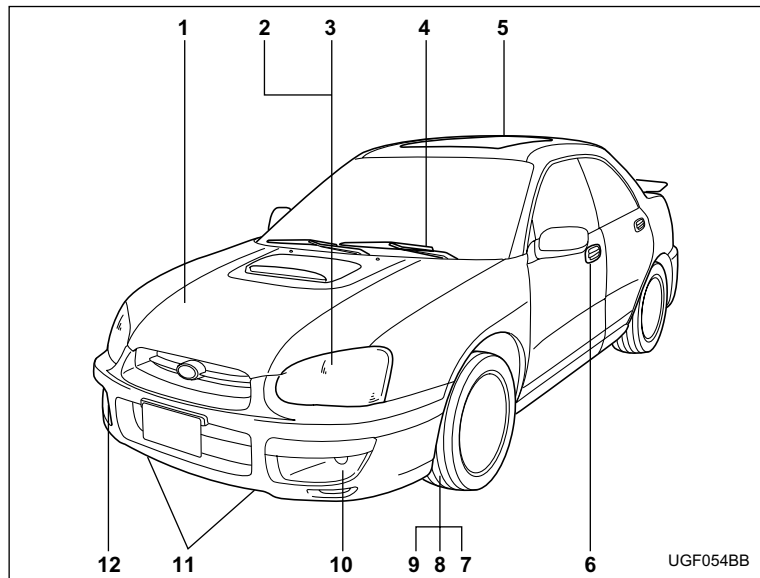


---

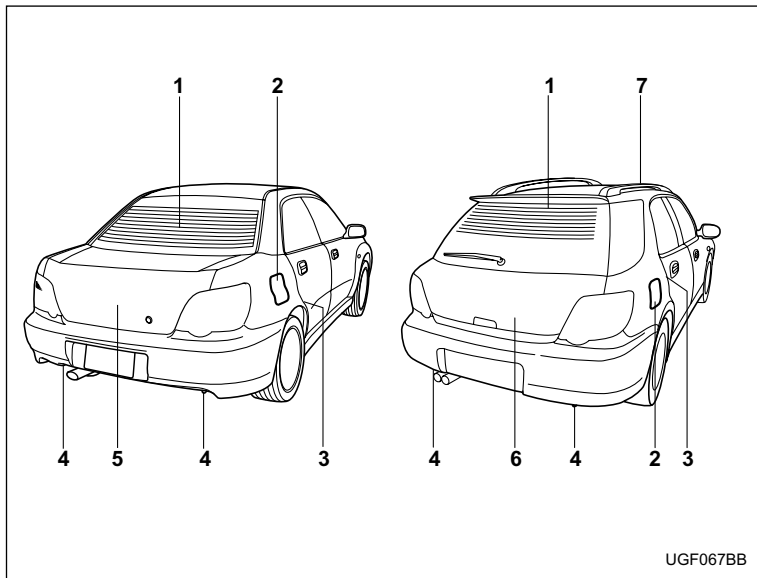
## Illustrated index

---

### ■ Exterior



- 1) Engine hood (page 11-5)
- 2) Headlight switch (page 3-30)
- 3) Replacing bulbs (page 11-69)
- 4) Wiper switch (page 3-38)
- 5) Moonroof (page 2-33)
- 6) Door locks (page 2-6)
- 7) Tire pressure (page 11-48)
- 8) Flat tires (page 9-5)
- 9) Tire chains (page 8-16)
- 10) Front fog light button (page 3-36)
- 11) Tie-down hooks (page 9-17)
- 12) Towing hooks (page 9-17)

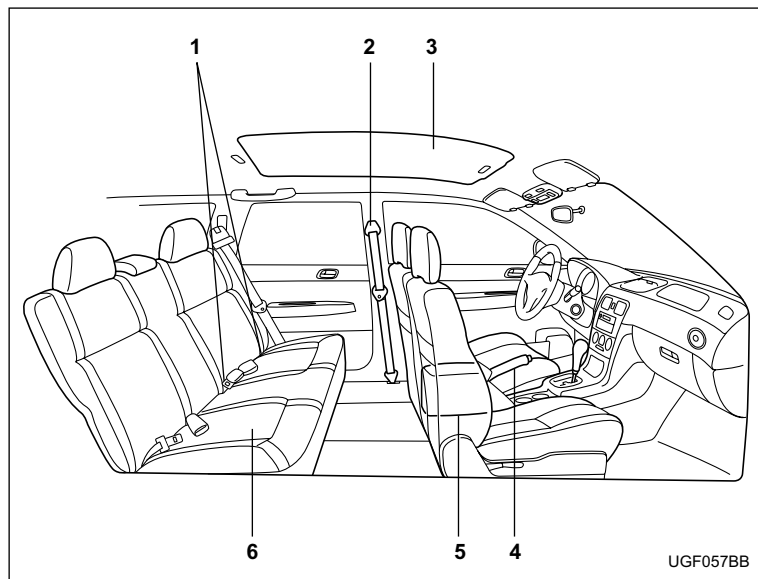


- 1) Rear window defogger button (page 3-41)
- 2) Fuel filler lid and cap (page 7-4)
- 3) Child safety locks (page 2-23)
- 4) Tie-down/Towing hook (page 9-18)
- 5) Trunk lid (page 2-27)
- 6) Rear gate (page 2-31)
- 7) Roof rail (page 8-20)

– CONTINUED –

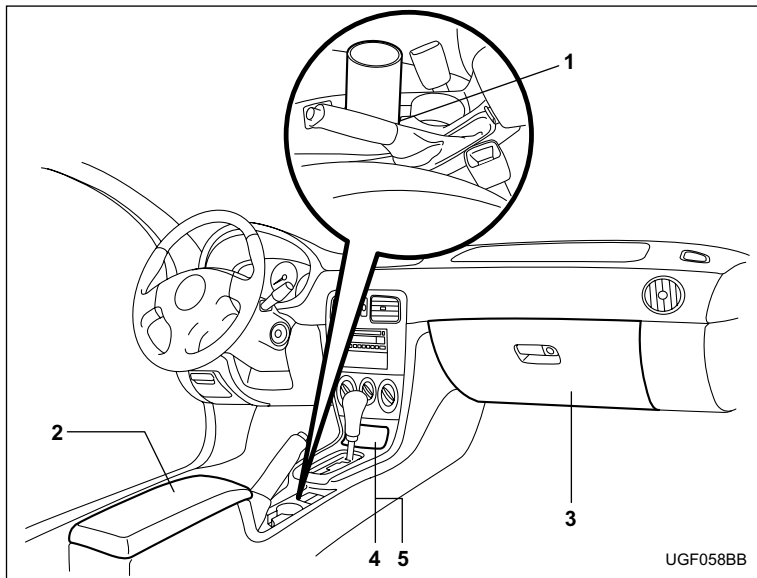
## ■ Interior

### ▼ Passenger compartment area



UGF057BB

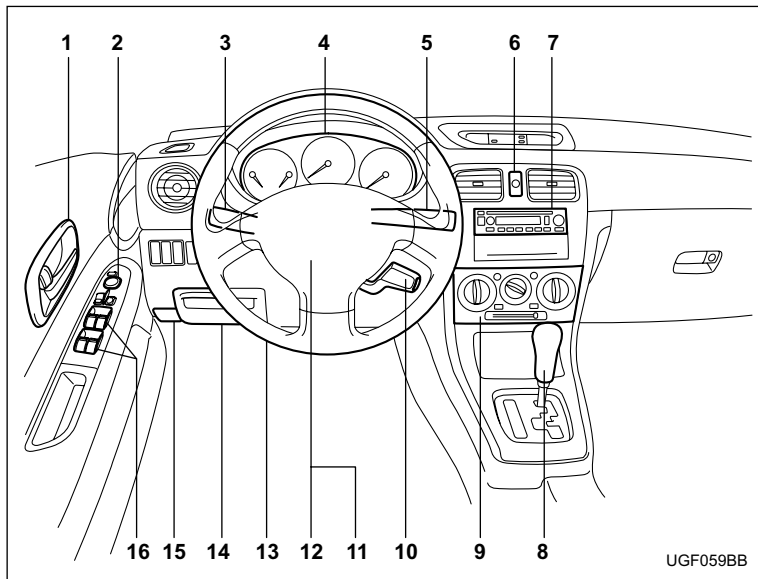
- 1) Lower anchorages for child restraint system (page 1-43)
- 2) Seatbelt (page 1-13)
- 3) Moonroof (page 2-33)
- 4) Parking brake lever (page 7-36)
- 5) Front seat (page 1-2)
- 6) Rear seat (page 1-8)



- 1) Cup holder (page 6-7)
- 2) Center console (page 6-6)
- 3) Glove box (page 6-5)
- 4) Cigarette lighter (page 6-9)
- 5) Ashtray (page 6-12)

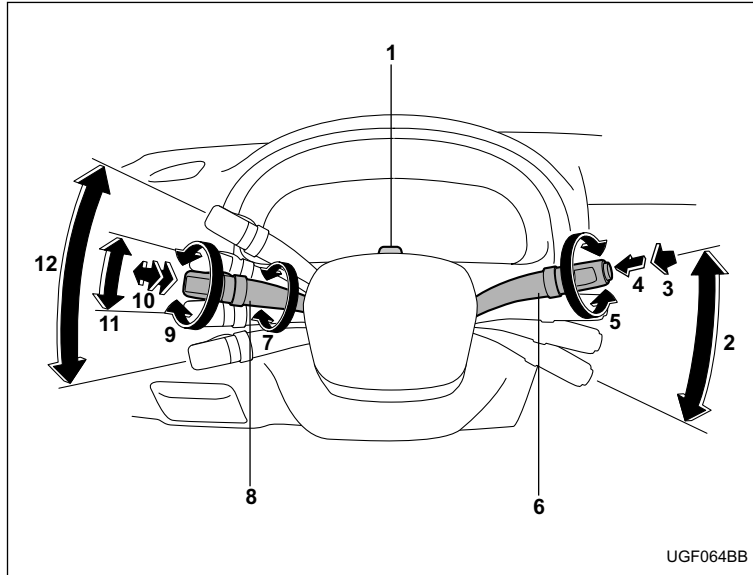
– CONTINUED –

## ■ Instrument panel



- 1) Door locks (page 2-6)
- 2) Outside mirror switch (page 3-49)
- 3) Light control lever (page 3-30)
- 4) Combination meter (page 3-15)
- 5) Wiper control lever (page 3-36)
- 6) Hazard warning flasher switch (page 3-7)
- 7) Audio (page 5-1)
- 8) Gear shift lever (MT) (page 7-15)/Selector lever (AT) (page 7-22)
- 9) Climate control (page 4-1)
- 10) Cruise control (page 7-38)
- 11) Horn (page 3-51)
- 12) SRS airbag (page 1-53)
- 13) Tilt steering (page 3-50)
- 14) Fuse box (page 11-65)
- 15) Hood lock release knob (page 11-5)
- 16) Power window (page 2-24)

## ■ Light control and wiper control levers/switches

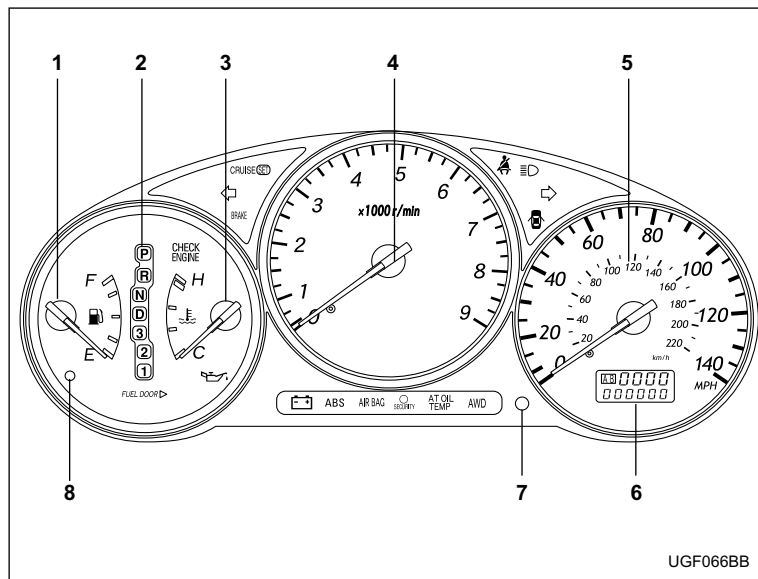


- 1) Parking light switch (page 3-35)
- 2) Windshield wiper (page 3-38)
- 3) Mist (page 3-39)
- 4) Windshield washer (page 3-39)
- 5) Rear window wiper and washer switch (page 3-40)
- 6) Wiper control lever (page 3-38)
- 7) Illumination brightness control (page 3-33)
- 8) Light control lever (page 3-30)
- 9) Headlight ON/OFF (page 3-30)
- 10) Headlight flasher High/Low beam change (page 3-30)
- 11) Turn signal (for lane change) (page 3-32)
- 12) Turn signal (page 3-32)

– CONTINUED –

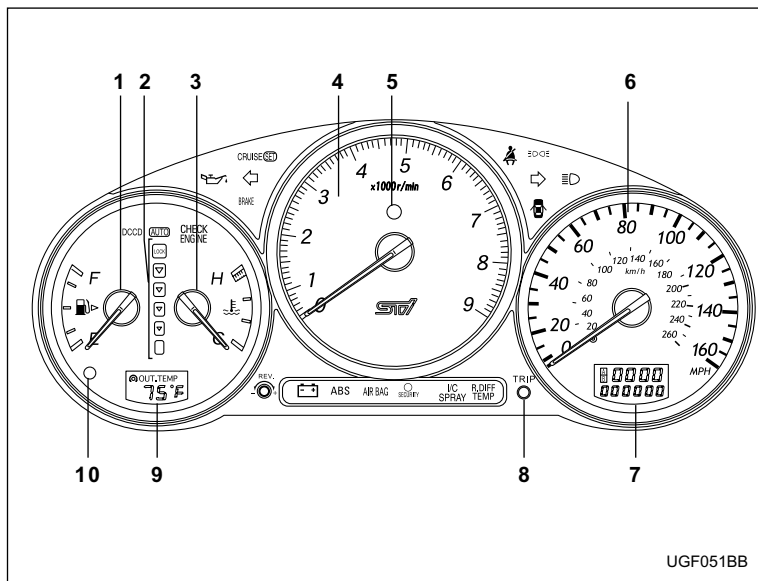
## ■ Combination meter

### ▼ WRX



- 1) Fuel gauge (page 3-17)
- 2) Selector lever position indicator (page 3-27)
- 3) Temperature gauge (page 3-18)
- 4) Tachometer (page 3-16)
- 5) Speedometer (page 3-15)
- 6) Odometer and trip meter (page 3-15)
- 7) Trip meter A/B selection and trip meter reset knob (page 3-16)
- 8) Low fuel warning light (page 3-17)

▼ WRX-STi

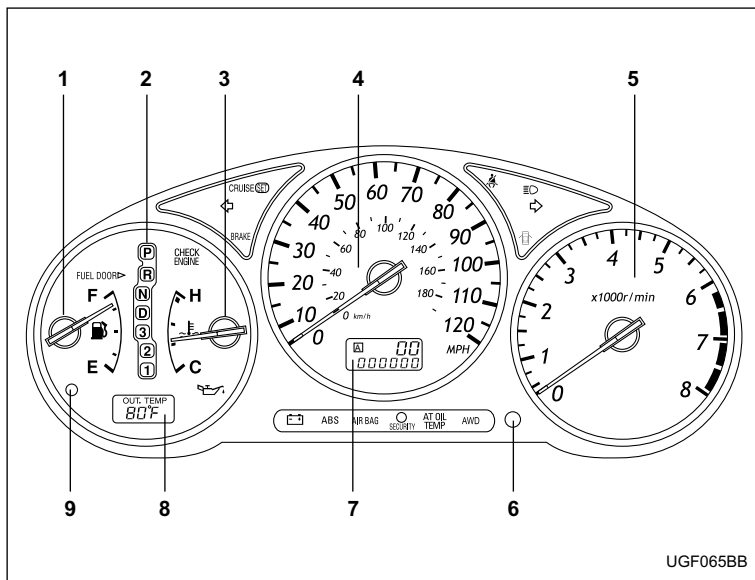


- 1) Fuel gauge (page 3-10)
- 2) DCCD indicator (page 3-28)
- 3) Temperature gauge (page 3-11)
- 4) Tachometer (page 3-9)
- 5) REV indicator (page 3-13)
- 6) Speedometer (page 3-8)
- 7) Odometer and trip meter (page 3-8)
- 8) Trip meter A/B selection and trip meter reset knob (page 3-9)
- 9) Outside temperature indicator (page 3-12)
- 10) Low fuel warning light (page 3-10)

- CONTINUED -


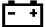













## ▼ Except turbo models



- 1) Fuel gauge (page 3-17)
- 2) Selector lever position indicator (page 3-27)
- 3) Temperature gauge (page 3-18)
- 4) Speedometer (page 3-15)
- 5) Tachometer (page 3-16)
- 6) Trip meter A/B selection and trip meter reset knob (page 3-16)
- 7) Odometer and trip meter (page 3-15)
- 8) Outside temperature indicator (page 3-19)
- 9) Low fuel warning light (page 3-17)

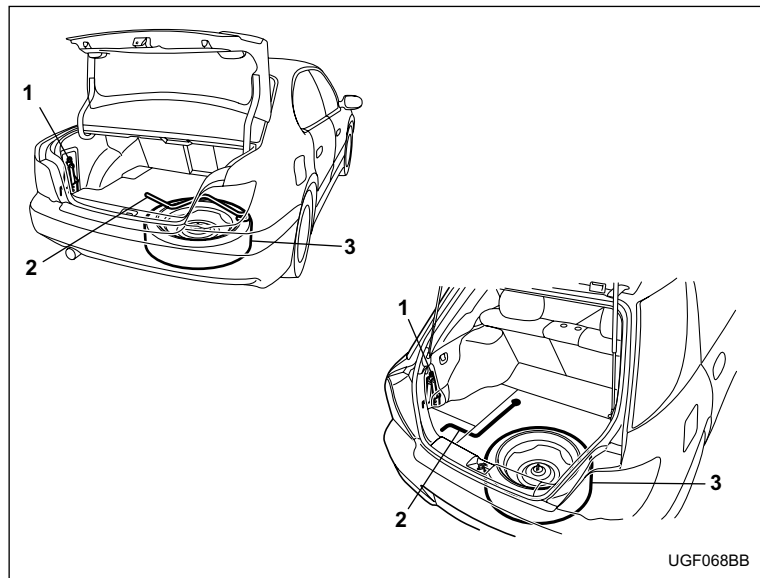
## ▼ Warning and indicator light

Mark	Name	Page
	Seatbelt warning light	3-20
AIR BAG	SRS airbag system warning light	3-20
CHECK ENGINE	CHECK ENGINE warning light/ Malfunction indicator lamp	3-21
	Charge warning light	3-22
	Oil pressure warning light	3-22
AT OIL TEMP	AT OIL temperature warning light (if equipped)	3-22
ABS or 	ABS warning light	3-23
BRAKE or 	Brake system warning light	3-24
	Door open warning light	3-26
AWD	All-wheel drive warning light (if equipped)	3-26

Mark	Name	Page
	Turn signal indicator lights	3-27
	High beam indicator light	3-27
	Security indicator light (if equipped)	2-5, 2-17
I/C SPRAY	Intercooler water spray warning light (if equipped)	3-26
	Light indicator light (if equipped)	3-28
CRUISE	Cruise control indicator light (if equipped)	3-27
	Cruise control set indicator light	3-27
	REV indicator light (if equipped)	3-28
R.DIFF TEMP	Rear differential oil temperature warning light (if equipped)	3-23
	Electronic driver's control center differential auto indicator (if equipped)	3-28

– CONTINUED –

## ■ Tire changing tools



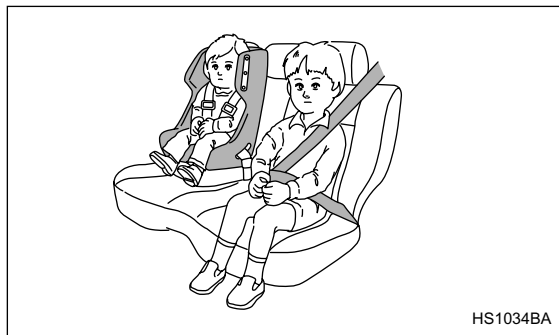
# Seat, seatbelt and SRS airbags

<b>Front seats</b> .....	1-2	<b>Installation of child restraint systems by use of lower and tether anchorages (LATCH)</b> ....	1-43
Fore and aft adjustment .....	1-3	Top tether anchorages .....	1-47
Reclining the seatback .....	1-4	<b>*SRS airbag (Supplemental Restraint System airbag)</b> .....	1-53
Seat cushion height adjustment (driver's seat) .....	1-5	Vehicle with driver's and front passenger's SRS airbags and lap/shoulder restraints .....	1-53
Head restraint adjustment (if equipped) .....	1-5	SRS frontal airbag .....	1-57
Active head restraint (if equipped) .....	1-6	SRS side airbag (if equipped) .....	1-65
<b>Seat heater (if equipped)</b> .....	1-7	SRS airbag system monitors .....	1-73
<b>Rear seats</b> .....	1-8	SRS airbag system servicing .....	1-74
Armrest (if equipped) .....	1-9	Precautions against vehicle modification .....	1-75
Headrest adjustment – Wagon .....	1-11		
Folding down the rear seat – Wagon .....	1-12		
<b>Seatbelts</b> .....	1-13		
Seatbelt safety tips .....	1-13		
Emergency Locking Retractor (ELR) .....	1-14		
Automatic/Emergency Locking Retractor (A/ELR) .....	1-15		
Seatbelt warning light and chime .....	1-15		
Fastening the seatbelt .....	1-15		
Seatbelt maintenance .....	1-27		
<b>Front seatbelt pretensioners</b> .....	1-28		
System monitors .....	1-29		
System servicing .....	1-30		
Precautions against vehicle modification .....	1-31		
<b>Child restraint systems</b> .....	1-32		
Where to place a child restraint system .....	1-34		
Choosing a child restraint system .....	1-35		
Installing child restraint systems with A/ELR seatbelt .....	1-36		
Installing a booster seat .....	1-41		

## Front seats

### **⚠ WARNING**

- Never adjust the seat while driving to avoid the possibility of loss of vehicle control and of personal injury.
- Before adjusting the seat, make sure the hands and feet of rear seat passengers are clear of the adjusting mechanism.
- Seatbelts provide maximum restraint when the occupant sits well back and upright in the seat. To reduce the risk of sliding under the seatbelt in a collision, the front seatbacks should be always used in the upright position while the vehicle is running. If the front seatbacks are not used in the upright position in a collision, the risk of sliding under the lap belt and of the lap belt sliding up over the abdomen will increase, and both can result in serious internal injury or death.



### **⚠ WARNING**

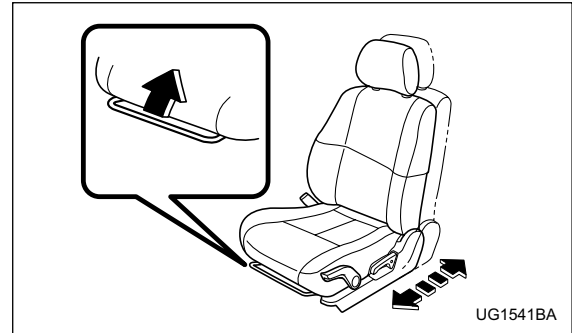
Put children aged 12 and under in the rear seat properly restrained at all times. The SRS airbag deploys with considerable speed and force and can injure or even kill children, especially if they are 12 years of age and under and are not restrained or improperly restrained. Because children are lighter and weaker than adults, their risk of being injured from deployment is greater. For that reason, we strongly recommend that ALL children (including those in child seats and those that have outgrown child restraint devices) sit in the REAR seat properly

restrained at all times in a child restraint device or in a seatbelt, whichever is appropriate for the child's age, height and weight. Secure ALL types of child restraint devices (including forward facing child seat) in the REAR seats at all times.

**NEVER INSTALL A REARWARD FACING CHILD SEAT IN THE FRONT SEAT. DOING SO RISKS SERIOUS INJURY OR DEATH TO THE CHILD BY PLACING THE CHILD'S HEAD TOO CLOSE TO THE SRS AIRBAG.**

According to accident statistics, children are safer when properly restrained in the rear seating positions than in the front seating positions. For instructions and precautions concerning child restraint systems, see the "Child restraint systems" section in this chapter.

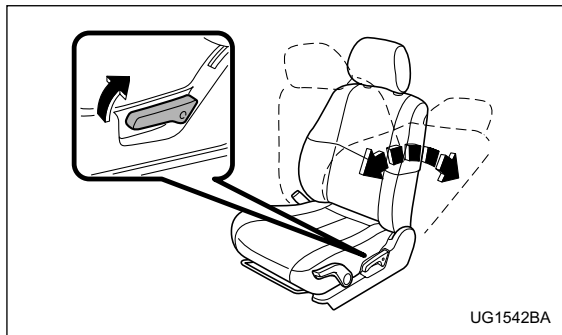
## ■ Fore and aft adjustment



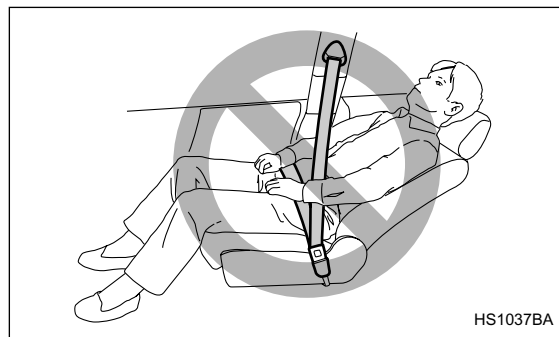
Pull the lever upward and slide the seat to the desired position. Then release the lever and move the seat back and forth to make sure that it is securely locked into place.

– CONTINUED –

## ■ Reclining the seatback



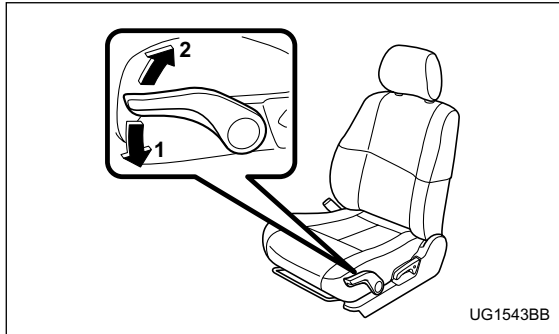
Pull the reclining lever up and adjust the seatback to the desired position. Then release the lever and make sure the seatback is securely locked into place. The seatback placed in a reclined position can spring back upward with force when released. When operating the reclining lever to return the seatback, hold it lightly so that it may be raised back gradually.



### **⚠ WARNING**

To prevent the passenger from sliding under the seatbelt in the event of a collision, always put the seatback in the upright position while the vehicle is in motion. Also, do not place objects such as cushions between the passenger and the seatback. If you do so, the risk of sliding under the lap belt and of the lap belt sliding up over the abdomen will increase, and both can result in serious internal injury or death.

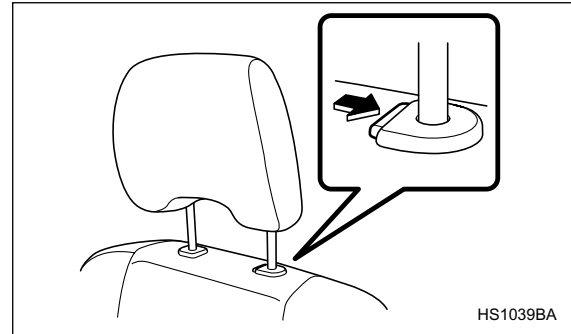
### ■ Seat cushion height adjustment (driver's seat)



- 1) When the lever is pushed down, the seat is lowered.
- 2) When the lever is pulled up, the seat rises.

The height of the seat can be adjusted by moving the seat cushion adjustment lever up and down.

### ■ Head restraint adjustment (if equipped)

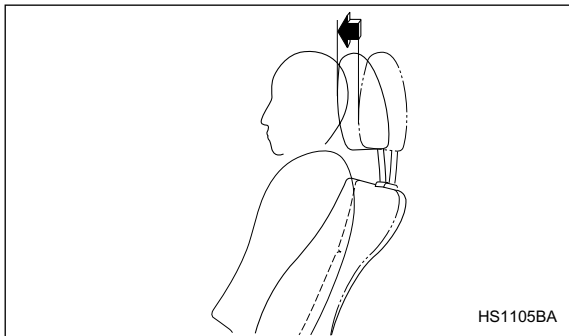


To raise the head restraint, pull it up.  
To lower it, push the head restraint down while pressing the release button on the top of the seatback.  
The head restraint should be adjusted so that the center of the head restraint is closest to the top of the occupant's ears.

– CONTINUED –



## ■ Active head restraint (if equipped)



The front seats of your vehicle are equipped with active head restraints. They automatically tilt forward slightly in the event the vehicle is struck from the rear, decreasing the amount of rearward head movement and thus reducing the risk of whiplash. For maximum effectiveness the head restraint should be adjusted so that the center of the head restraint is closest to the top of the occupant's ears.

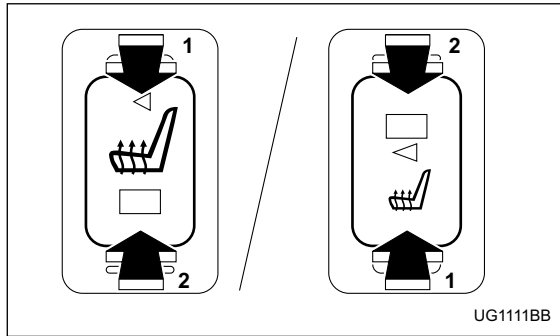
### CAUTION

- Each active head restraint is effective only when its height is properly adjusted and the

user sits in the correct position on the seat.

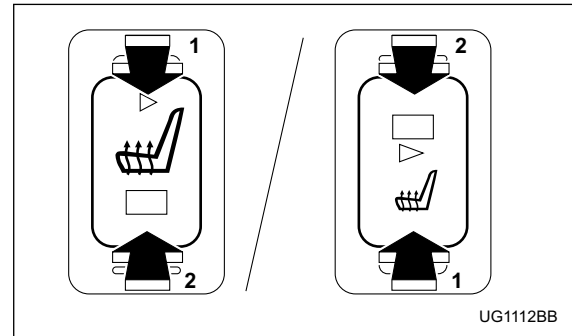
- Each active head restraint is designed to work only once. If your vehicle is involved in a rear-end collision, have an authorized SUBARU dealer inspect the active head restraints.
  - The active head restraints may not operate in the event the vehicle experiences only a slight impact in the rear.
  - The active head restraints may be damaged if they are pushed hard from behind or subjected to shock. As a result, they may not function if the vehicle suffers a rear impact.
-

## Seat heater (if equipped)



### Driver's side

- 1) **HI** – Rapid heating
- 2) **LO** – Normal heating



### Front passenger's side

- 1) **HI** – Rapid heating
- 2) **LO** – Normal heating

The seat heater operates when the ignition switch is either in the “ACC” or “ON” position.

To turn on the seat heater, push the “LO” or “HI” position on the switch, as desired, depending on the temperature. Selecting the “HI” position will cause the seat to heat up quicker.

The indicator located on the switch comes on when the seat heater is in operation. When the vehicle's interior is warmed enough or before you leave the vehicle,

– CONTINUED –

cle, be sure to turn the switch off.

**⚠ CAUTION**

- There is a possibility that people with delicate skin may suffer slight burns even at low temperatures if he/she uses the seat heater for a long period of time. When using the heater, always be sure to warn the persons concerned.
- Do not put anything on the seat which insulates against heat, such as a blanket, cushion, or similar items. This may cause the seat heater to overheat.

**NOTE**

- Use of the seat heater for a long period of time while the engine is not running can cause battery discharge.
- When cleaning the seat, do not use benzene, paint thinner, or any similar materials.

---

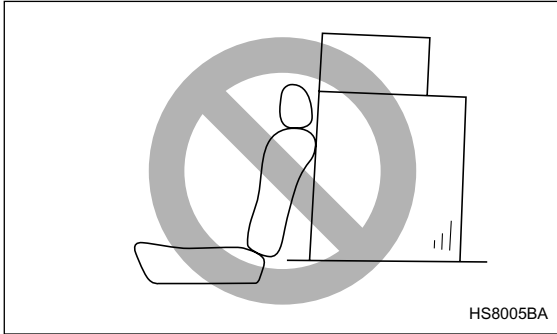
**Rear seats**

---



**⚠ WARNING**

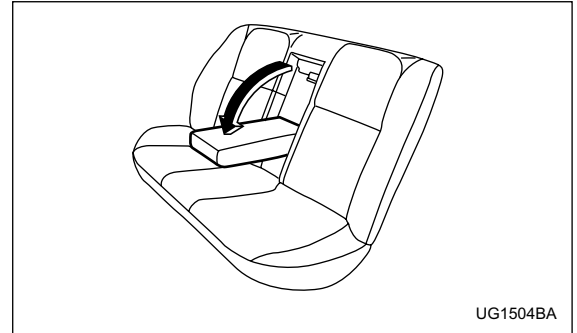
Seatbelts provide maximum restraint when the occupant sits well back and upright in the seat. Do not put cushions or any other materials between occupants and seatbacks or seat cushions. If you do so, the risk of sliding under the lap belt and of the lap belt sliding up over the abdomen will increase, and both can result in serious internal injury or death.



**⚠ WARNING**

Never stack luggage or other cargo higher than the top of the seatback because it could tumble forward and injure passengers in the event of a sudden stop or accident.

■ **Armrest (if equipped)**



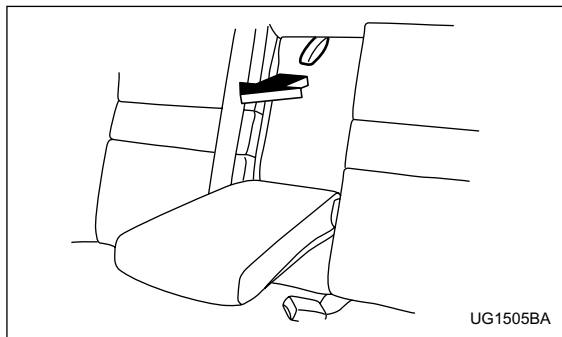
To lower the armrest, pull on the top edge of the armrest.

**⚠ WARNING**

To avoid the possibility of serious injury, passengers must never be allowed to sit on the center armrest while the vehicle is in motion.

– CONTINUED –

▼ Loading long objects

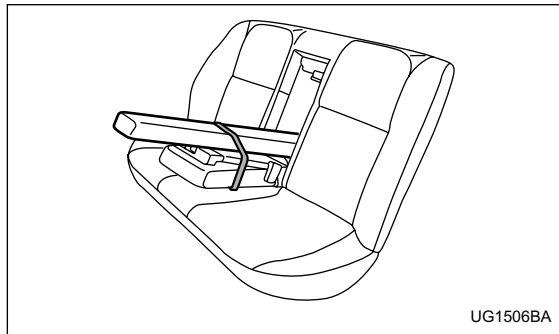


Folding down the armrest and opening the seatback panel affords a loading space for long objects. To open the seatback panel, pull the release tab.

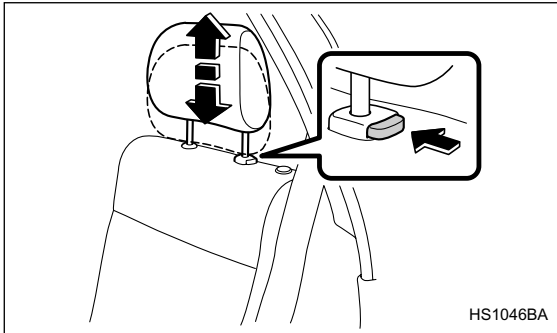
**⚠ WARNING**

- Secure long objects properly to prevent them from shooting forward and causing serious injury during a sudden stop or sharp cornering. Tie long objects down with a rope or something equivalent.
- Avoid loading objects longer than 6.6 ft (2 m) and heavier than 55 lbs (25 kg). Such objects

can interfere with the driver's proper operation of the vehicle, possibly causing an accident and serious injury.



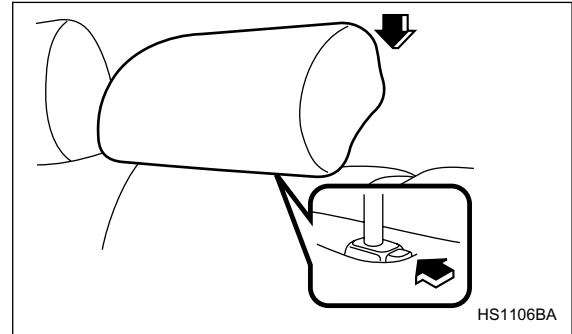
## ■ Headrest adjustment – Wagon



To raise the headrest, pull it up.  
To lower it, push the head rest down while depressing the release button on the top of the seatback.

When the seats are not occupied, lower the headrests to improve rearward visibility.

## ▼ Rear center seating position

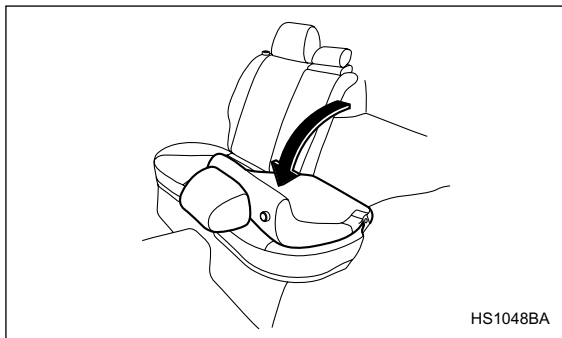
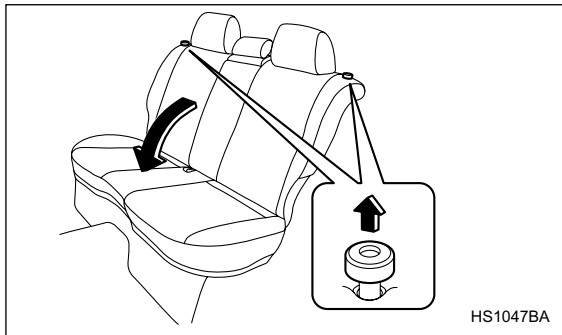


To raise the head restraint, pull it up.  
To lower it, push the headrest down while pressing the release button on the top of the seatback.

When the rear-center seating position is occupied, place the headrest in its highest position. When the rear center seating position is not occupied, lower the headrest to improve rearward visibility.

– CONTINUED –

## ■ Folding down the rear seat – Wagon



1. Lower the headrests.
  2. Unlock the seatback by pulling the release knob and then fold the seatback down.
- To return the seatback to its original position, raise the seatback until it locks into place and make sure that it is securely locked.

### **▲ WARNING**

- After returning the rear seat to its original position, be certain to place all of the seatbelts and the tab attached to the seat cushion above the seat cushion. And make certain that the shoulder belts are fully visible.
- Never allow passengers to ride on the folded rear seatback or in the cargo area. Doing so may result in serious injury or death.
- Secure lengthy items properly to prevent them from shooting forward and causing serious injury during a sudden stop.

## Seatbelts

### ■ Seatbelt safety tips

#### WARNING

- All persons in the vehicle should fasten their seatbelts **BEFORE** the vehicle starts to move. Otherwise, the possibility of serious injury becomes greater in the event of a sudden stop or accident.
- All belts should fit snugly in order to provide full restraint. Loose fitting belts are not as effective in preventing or reducing injury.
- Each seatbelt is designed to support only one person. Never use a single belt for two or more persons – even children. Otherwise, in an accident, serious injury or death could result.
- Replace all seatbelt assemblies including retractors and attaching hardware worn by occupants of a vehicle that has been in a serious accident. The entire assembly should be replaced even if damage is not obvious.
- Put children aged 12 and under in the rear seat properly restrained at all times. The SRS airbag deploys with considerable speed and force and can injure or even kill children, espe-

cially if they are 12 years of age and under and are not restrained or improperly restrained. Because children are lighter and weaker than adults, their risk of being injured from deployment is greater. For that reason, we strongly recommend that **ALL** children (including those in child seats and those that have outgrown child restraint devices) sit in the **REAR** seat properly restrained at all times in a child restraint device or in a seatbelt, whichever is appropriate for the child's height and weight. Secure **ALL** types of child restraint devices (including forward facing child seats) in the **REAR** seats at all times.

**NEVER INSTALL A REARWARD FACING CHILD SEAT IN THE FRONT SEAT. DOING SO RISKS SERIOUS INJURY OR DEATH TO THE CHILD BY PLACING THE CHILD'S HEAD TOO CLOSE TO THE SRS AIRBAG.**

According to accident statistics, children are safer when properly restrained in the rear seating positions than in the front seating positions. For instructions and precautions concerning the child restraint system, see the "Child restraint systems" section in this chapter.

– CONTINUED –



▼ **Infants or small children**

Use a child restraint system that is suitable for your vehicle. See information on “Child restraint systems” in this chapter.

▼ **Children**

If a child is too big for a child restraint system, the child should sit in the rear seat and be restrained using the seatbelts. According to accident statistics, children are safer when properly restrained in the rear seating positions than in the front seating positions. Never allow a child to stand up or kneel on the seat.

If the shoulder portion of the belt crosses the face or neck, adjust the shoulder belt anchor height (window-side seating positions only) and then if necessary move the child closer to the belt buckle to help provide a good shoulder belt fit. Care must be taken to securely place the lap belt as low as possible on the hips and not on the child’s waist. If the shoulder portion of the belt cannot be properly positioned, a child restraint system should be used. Never place the shoulder belt under the child’s arm or behind the child’s back.

▼ **Expectant mothers**



Expectant mothers also need to use the seatbelts. They should consult their doctor for specific recommendations. The lap belt should be worn securely and as low as possible over the hips, not over the waist.

■ **Emergency Locking Retractor (ELR)**

The driver’s seatbelt has an Emergency Locking Retractor (ELR).

The emergency locking retractor allows normal body movement but the retractor locks automatically during a sudden stop, impact or if you pull the belt very quickly out of the retractor.

## ■ Automatic/Emergency Locking Retractor (A/ELR)

Each passenger's seatbelt has an Automatic/Emergency Locking Retractor (A/ELR). The Automatic/Emergency Locking Retractor normally functions as an Emergency Locking Retractor (ELR). The A/ELR has an additional locking mode "Automatic Locking Retractor (ALR) mode" intended to secure a child restraint system. When the seatbelt is once drawn out completely and is then retracted even slightly, the retractor locks the seatbelt in that position and the seatbelt cannot be extended. As the belt is rewinding, clicks will be heard which indicate the retractor functions as an ALR. When the seatbelt is retracted fully, the ALR mode is released.

When securing a child restraint system on the rear seats by the use of the seatbelt, the seatbelt must be changed over to the Automatic Locking Retractor (ALR) mode.

When the child restraint system is removed, make sure that the seatbelt retracts fully and the retractor returned to the Emergency Locking Retractor (ELR) mode.

For instructions on how to convert the retractor to the ALR mode and restore it to the ELR mode, see the "Child restraint systems" section in this chapter.

## ■ Seatbelt warning light and chime

Your vehicle is equipped with a seatbelt warning device at the driver's seat, as required by current safety standards.

This device causes the seatbelt warning light on the instrument panel to light up when the ignition switch is turned to "ON" to remind the driver to wear the seatbelt. If the driver's seatbelt is not fastened, the warning light remains on and a warning chime sounds at the same time. The warning light stays illuminated until the driver fastens the seatbelt but the chime stops sounding after about six seconds.

## ■ Fastening the seatbelt

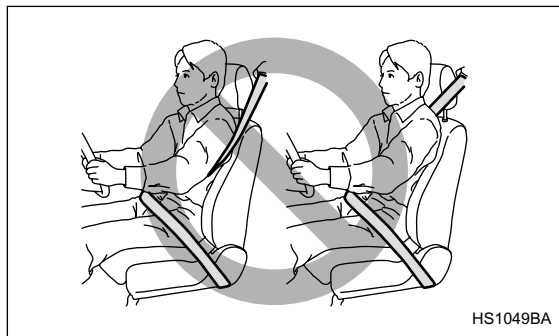
### WARNING

- **Never use a belt that is twisted or reversed. In an accident, this can increase the risk or severity of injury.**
- **Keep the lap belt as low as possible on your hips. In a collision, this spreads the force of the lap belt over stronger hip bones instead of across the weaker abdomen.**
- **Seatbelts provide maximum restraint when the occupant sits well back and upright in the seat. To reduce the risk of sliding under the**

– CONTINUED –

seatbelt in a collision, the front seatbacks should be always used in the upright position while the vehicle is running. If the front seatbacks are not used in the upright position in a collision, the risk of sliding under the lap belt and of the lap belt sliding up over the abdomen will increase, and both can result in serious internal injury or death.

- Do not put cushions or any other materials between occupants and seatbacks or seat cushions. If you do so, the risk of sliding under the lap belt and of the lap belt sliding up over the abdomen will increase, and both can result in serious internal injury or death.



**⚠ WARNING**

Never place the shoulder belt under the arm or behind the back. If an accident occurs, this can increase the risk or severity of injury.

**⚠ CAUTION**

Metallic parts of the seatbelt can become very hot in a vehicle that has been closed up in sunny weather; they could burn an occupant. Do not touch such hot parts until they cool.

▼ **Front seatbelts**

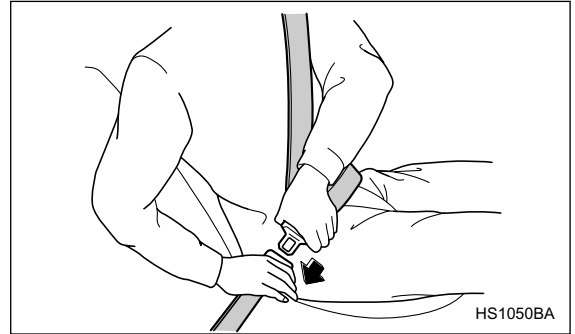
1. Adjust the seat position:

**Driver's seat:** Adjust the seatback to the upright position. Move the seatback as far from the steering wheel as practical while still maintaining full vehicle control.

**Front passenger's seat:** Adjust the seatback to the upright position. Move the seat as far back as possible.

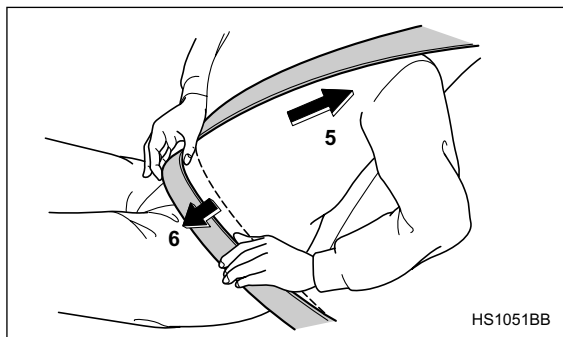
2. Sit well back in the seat.

3. Pick up the tongue plate and pull the belt out slowly. Do not let it get twisted. If the belt stops before reaching the buckle, return the belt slightly and pull it out more slowly. If the belt still cannot be unlocked, let the belt retract slightly after giving it a strong pull, then pull it out slowly again.



4. Insert the tongue plate into the buckle until you hear a click.

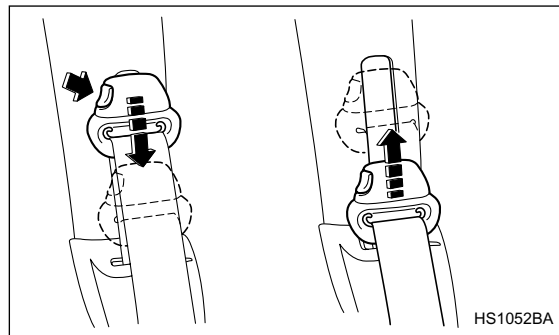
– CONTINUED –



5. To make the lap part tight, pull up on the shoulder belt.

6. Place the lap belt as low as possible on your hips, not on your waist.

▽ Adjusting the front seat shoulder belt anchor height



The shoulder belt anchor height should be adjusted to the position best suited for you.

To lower the anchor height, push the release button and slide the anchor down.

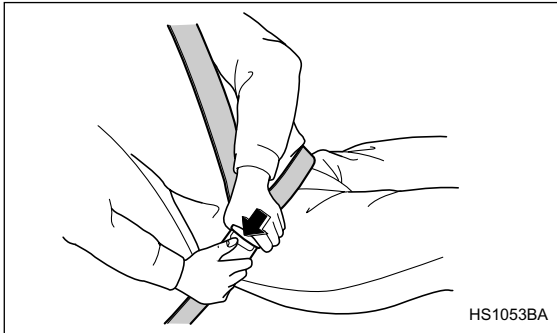
To raise the anchor height, slide the anchor up. Pull down on the anchor to make sure that it is locked in place.

Always adjust the anchor height so that the shoulder belt passes over the middle of the shoulder without touching the neck.

**⚠ WARNING**

When wearing the seatbelts, make sure the shoulder portion of the webbing does not pass over your neck. If it does, adjust the seatbelt anchor to a lower position. Placing the shoulder belt over the neck may result in neck injury during sudden braking or in a collision.

▽ Unfastening the seatbelt

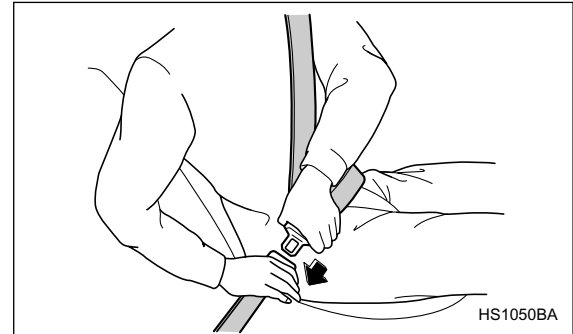


Push the button on the buckle.  
Before closing the door, make sure that the belts are retracted properly to avoid catching the belt webbing

in the door.

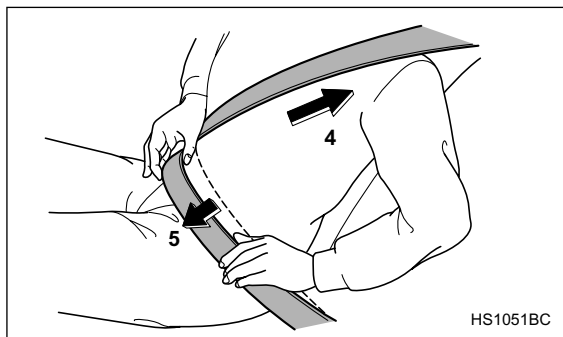
▼ Rear seatbelts (except rear center seatbelt on Wagon)

1. Sit well back in the seat.
2. Pick up the tongue plate and pull the belt out slowly. Do not let it get twisted. If the belt stops before reaching the buckle, return the belt slightly and pull it out more slowly. If the belt still cannot be unlocked, let the belt retract slightly after giving a strong pull on it, then pull it out slowly again.



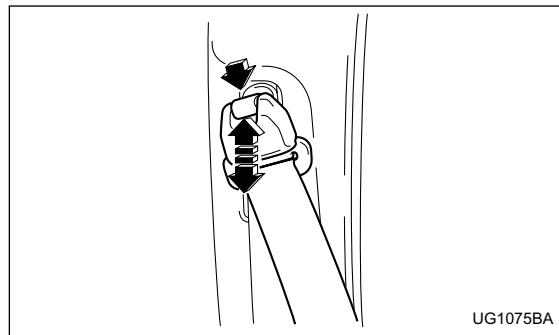
3. Insert the tongue plate into the buckle until you hear a click.

– CONTINUED –



4. To make the lap part tight, pull up on the shoulder belt.
5. Place the lap belt as low as possible on your hips, not on your waist.

▽ **Adjusting the rear seat shoulder belt anchor height (window-side seating positions only)**



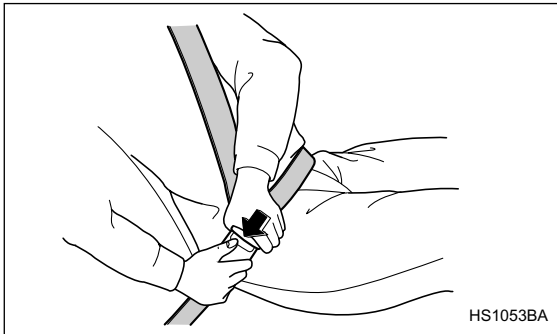
The shoulder belt anchor height should be adjusted to the position best suited for you. To adjust the anchor height, push the release button and slide the anchor up or down. Pull down on the anchor to make sure that it is locked in place.

Always adjust the anchor height so that the shoulder belt passes over the middle of the shoulder without touching the neck.

**⚠ WARNING**

When wearing the seatbelts, make sure the shoulder portion of the webbing does not pass over your neck. If it does, adjust the seatbelt anchor to a lower position. Placing the shoulder belt over the neck may result in neck injury during sudden braking or in a collision.

▽ Unfastening the seatbelt

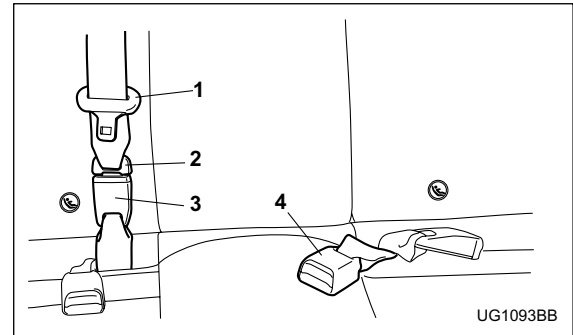


Push the button on the buckle.

Before closing the door, make sure that the belts are

retracted properly to avoid catching the belt webbing in the door.

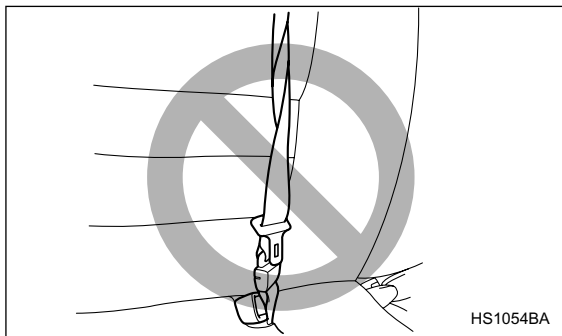
▼ Rear center seatbelt on Wagon



- 1) Center seatbelt tongue plate
- 2) Connector (tongue)
- 3) Connector (buckle)
- 4) Center seatbelt buckle

– CONTINUED –





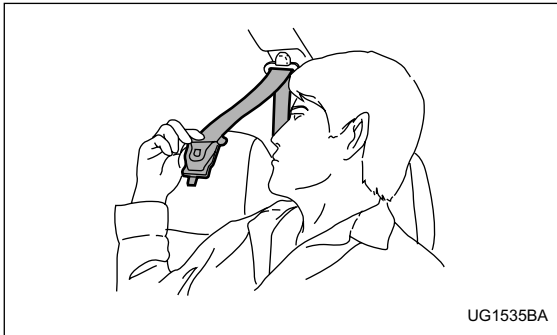
**⚠ WARNING**

Fastening the seatbelt with the webbing twisted can increase the risk or severity of injury in an accident. When fastening the belt after it is pulled out from the retractor, especially when inserting the connector's tongue plate into the mating buckle (on right hand side), always check that the webbing is not twisted.

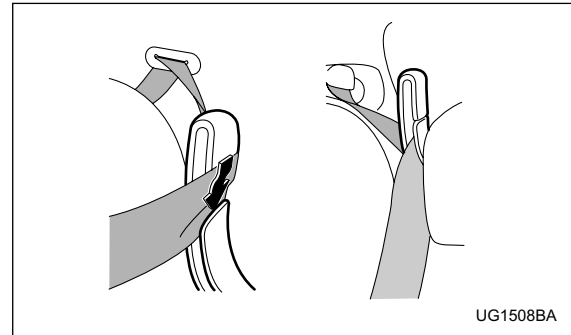


**⚠ WARNING**

Be sure to fasten both tongue plates to the respective buckles. If the seatbelt is used only as a shoulder belt (with the connector's tongue plate not fastened to the connector's buckle on the right hand side), it cannot properly restrain the wearer in position in an accident, possibly resulting in serious injury or death.

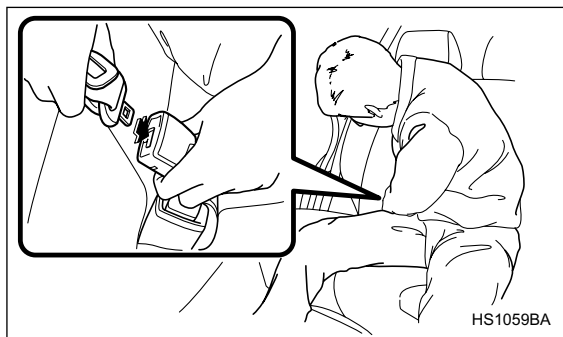


1. Remove the tongue plate from the belt holder located under the right rear quarter glass and pull out the seatbelt slowly.



2. After drawing out the seatbelt, pass it through the belt guide as follows: First insert one edge of the belt into the open gap in the comfort guide; then slide the rest of the belt in, so that the whole belt fits inside.

– CONTINUED –

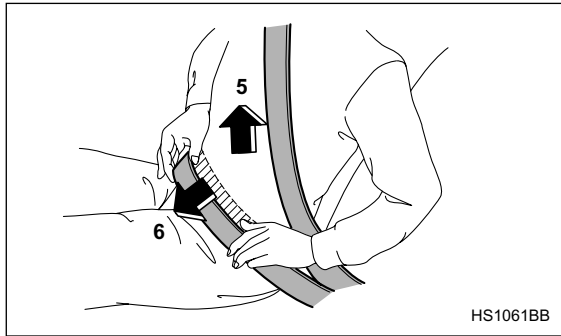


3. After confirming that the webbing is not twisted, insert the connector (tongue) attached at the webbing end into the buckle on the right hand side until a click is heard.

If the belt stops before reaching the buckle, return the belt slightly and pull it out more slowly. If the belt still cannot be unlocked, let the belt retract slightly after giving it a strong pull, then pull it out slowly again.

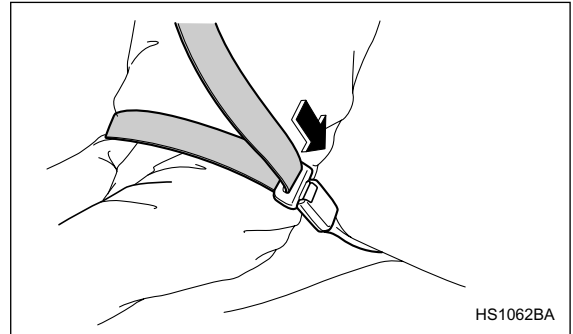


4. Insert the center seatbelt tongue plate in the center seatbelt buckle marked "CENTER" on the left hand side until it clicks.



5. To make the lap part tight, pull up on the shoulder belt.
6. Place the lap belt as low as possible on your hips, not on your waist.

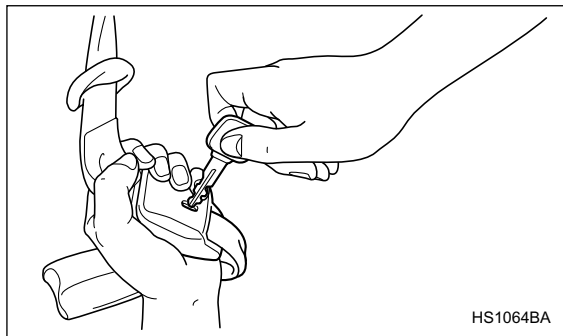
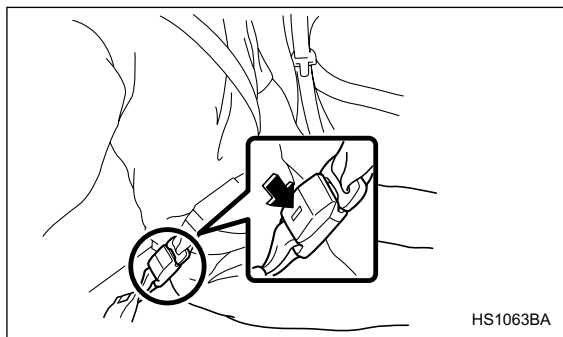
### ▽ Unfastening the seatbelt



Push the release button of the center seatbelt buckle (on the left hand side) to unfasten the seatbelt.

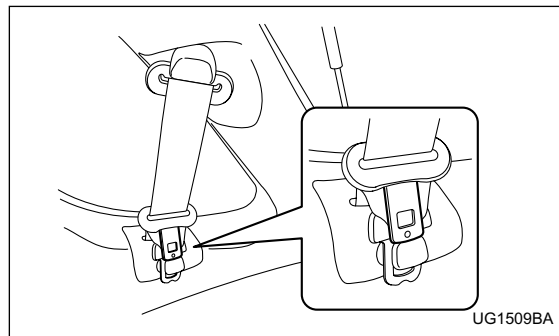
**NOTE**  
When the seatback is folded down for greater cargo area, it is necessary to disconnect the connector.

– CONTINUED –

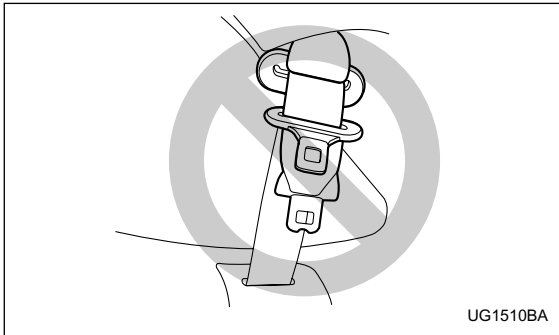


1. Insert a key or other hard pointed object into the

slot in the connector (buckle) on the right hand side and push it in, and the connector (tongue) plate will disconnect from the buckle.



2. Allow the retractor to roll up the belt. You should hold the webbing end and guide it back into the retractor while it is rolling up. Insert the tongue plate into the belt holder.



### ⚠ CAUTION

- Do not allow the retractor to roll up the seatbelt too quickly. Otherwise, the metal tongue plates may hit against the trim, resulting in damaged trim.
- Have the seatbelt fully rolled up so that the tongue plates are neatly stored. A hanging tongue plate can swing and hit against the trim during driving, causing damage to the trim.

### ■ Seatbelt maintenance

To clean the seatbelts, use a mild soap and lukewarm water. Never bleach or dye the belts because this could seriously affect their strength.

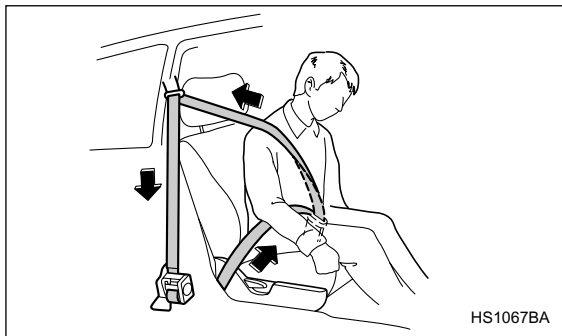
Inspect the seatbelts and attachments including the webbing and all hardware periodically for cracks, cuts, gashes, tears, damage, loose bolts or worn areas. Replace the seatbelts even if only minor damage is found.

### ⚠ CAUTION

- Keep the belts free of polishes, oils, chemicals and particularly battery acid.
- Never attempt to make modifications or changes that will prevent the seatbelt from operating properly.

## Front seatbelt pretensioners

---



The driver's and front passenger's seatbelts have a seatbelt pretensioner. The seatbelt pretensioners are designed to be activated in the event of an accident involving a moderate to severe frontal collision.

The pretensioner sensor also serves as the frontal SRS airbag sensor. If the sensor detects a certain predetermined amount of force during a frontal collision, the front seatbelt is quickly drawn back in by the retractor to take up the slack so that the belt more effectively restrains the front seat occupant.

When a seatbelt pretensioner is activated, an operat-

ing noise will be heard and a small amount of smoke will be released. These occurrences are normal and not harmful. This smoke does not indicate a fire in the vehicle.

Once the seatbelt pretensioner has been activated, the seatbelt retractor remains locked. Consequently, the seatbelt can not be pulled out and retracted and therefore must be replaced.

### NOTE

- Seatbelt pretensioners are not designed to activate in minor frontal impacts, in side or rear impacts or in roll-over accidents.
- The driver's seat and passenger's seat pretensioners and frontal SRS airbag operate simultaneously.
- Pretensioners are designed to function on a one-time-only basis. In the event that a pretensioner is activated, both the driver's and front passenger's seatbelt retractor assemblies must be replaced only by an authorized SUBARU dealer. When replacing seatbelt retractor assemblies, use only genuine SUBARU parts.
- If either front seatbelt does not retract or cannot be pulled out due to a malfunction or activation of the pretensioner, contact your SUBARU dealer as soon as possible.

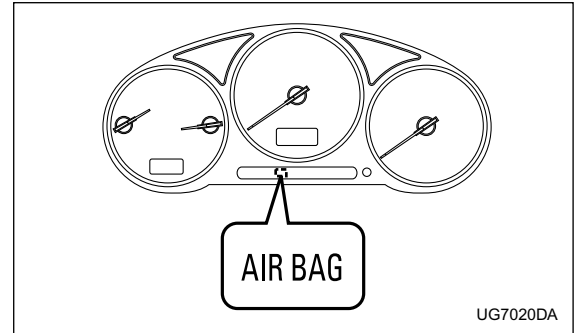
- If the front seatbelt retractor assembly or surrounding area has been damaged, contact your SUBARU dealer as soon as possible.
- When you sell your vehicle, we urge you to explain to the buyer that it has seatbelt pretensioners by alerting him to the contents of this section.

### **⚠ WARNING**

- To obtain maximum protection, the occupants should sit in an upright position with their seatbelts properly fastened. Refer to the "Seatbelts" section in this chapter.
- Do not modify, remove or strike the front seatbelt retractor assemblies or surrounding area. This could result in accidental activation of the seatbelt pretensioners or could make the system inoperative, possibly resulting in serious injury. Seatbelt pretensioners have no user-serviceable parts. For required servicing of front seatbelt retractors equipped with seatbelt pretensioners, see your nearest SUBARU dealer.
- When discarding front seatbelt retractor assemblies or scrapping the entire vehicle due to collision damage or for other reasons, consult

your SUBARU dealer.

### ■ System monitors



A diagnostic system continually monitors the readiness of the seatbelt pretensioner while the vehicle is being driven. The seatbelt pretensioners share the control module with the SRS airbag system. Therefore, if any malfunction occurs in a seatbelt pretensioner, the SRS airbag system warning light will illuminate. The SRS airbag system warning light will show normal system operation by lighting for about 6 seconds when the ignition key is turned to the "ON" posi-

– CONTINUED –



tion.

The following components are monitored by the indicator:

- Front sub sensor (Right hand side)
- Front sub sensor (Left hand side)
- Airbag control module (including impact sensors)
- Seatbelt pretensioner (Driver's side)
- Seatbelt pretensioner (Passenger's side)
- All related wiring
- And all other airbag components

** WARNING**

If the warning light exhibits any of the following conditions, there may be a malfunction in the seatbelt pretensioners and/or SRS airbag system. Immediately take your vehicle to your nearest SUBARU dealer to have the system checked. Unless checked and properly repaired, the seatbelt pretensioners and/or SRS airbag will not operate properly in the event of a collision, which may increase the risk of injury.

- Flashing or flickering of the indicator light
- No illumination of the warning light when the ignition switch is first turned to the "ON" position

- Continuous illumination of the warning light
  - Illumination of the warning light while driving
- 

**■ System servicing**

** WARNING**

- When discarding a seatbelt retractor assembly or scrapping the entire vehicle damaged by a collision, consult your SUBARU dealer.
  - Tampering with or disconnecting the system's wiring could result in accidental activation of the seatbelt pretensioner and/or SRS airbag or could make the system inoperative, which may result in serious injury. The wiring harnesses of the seatbelt pretensioner and SRS airbag systems are covered with yellow insulation and the connectors of the system are yellow for easy identification. Do not use electrical test equipment on any circuit related to the seatbelt pretensioner and SRS airbag systems. For required servicing of the seatbelt pretensioner, see your nearest SUBARU dealer.
-

**▲ CAUTION**

The front sub sensors are located in both front fenders and the SRS airbag control module including the impact sensors is located under the center console. If you need service or repair in those areas or near the front seatbelt retractors, we recommend that you have an authorized SUBARU dealer perform the work.

**NOTE**

If the front part of the vehicle is damaged in an accident to the extent that the seatbelt pretensioner does not operate, contact your SUBARU dealer as soon as possible.

**■ Precautions against vehicle modification**

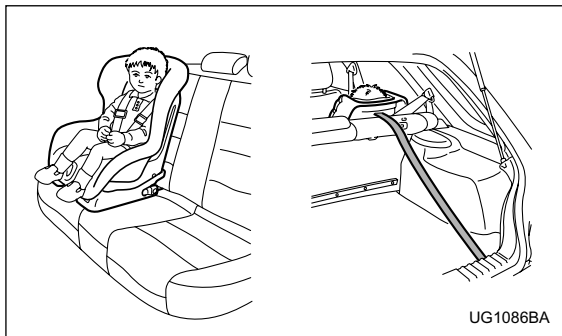
Always consult your SUBARU dealer if you want to install any accessory parts to your vehicle.

**▲ CAUTION**

Do not perform any of the following modifications. Such modifications can interfere with proper operation of the seatbelt pretensioners.

- Attachment of any equipment (bush bar, winches, snow plow, skid plate, etc.) other than genuine SUBARU accessory parts to the front end.
- Modification of the suspension system or front end structure.
- Installation of a tire of different size and construction from the tires specified on the tire placard attached to the driver's door jamb.

## Child restraint systems

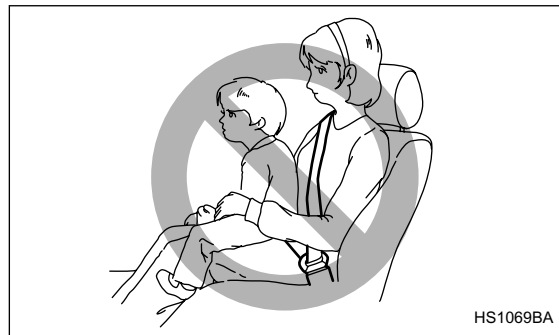


Infants and small children should always be placed in an infant or child restraint system in the rear seat while riding in the vehicle. You should use an infant or child restraint system that meets Federal Motor Vehicle Safety Standards or Canada Motor Vehicle Safety Standards, is compatible with your vehicle and is appropriate for the child's age and size. All child restraint systems are designed to be secured in vehicle seats by lap belts or the lap belt portion of a lap/shoulder belt (except those covered under the section in this manual, entitled "Installation of child restraint systems by use of lower and tether anchorages (LATCH)").

Children could be endangered in an accident if their child restraints are not properly secured in the vehicle. When installing the child restraint system, carefully follow the manufacturer's instructions.

According to accident statistics, children are safer when properly restrained in the rear seating positions than in the front seating positions.

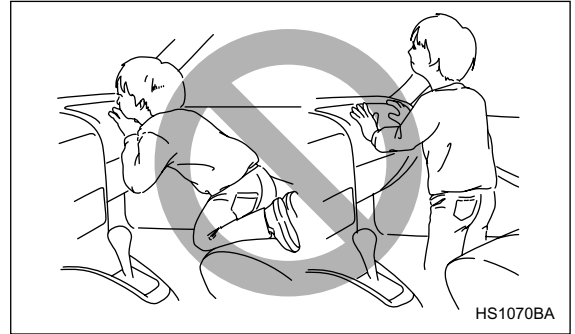
All U.S. states and Canadian provinces require that infants and small children be restrained in an approved child restraint system at all times while the vehicle is moving.



**⚠ WARNING**

Never let a passenger hold a child on his or her lap or in his or her arms while the vehicle is moving. The passenger cannot protect the child from injury in a collision, because the child will be caught between the passenger and objects inside the vehicle.

Additionally, holding a child in your lap or arms in the front seat exposes that child to another serious danger. Since the SRS airbag deploys with considerable speed and force, the child could be injured or even killed.



**⚠ WARNING**

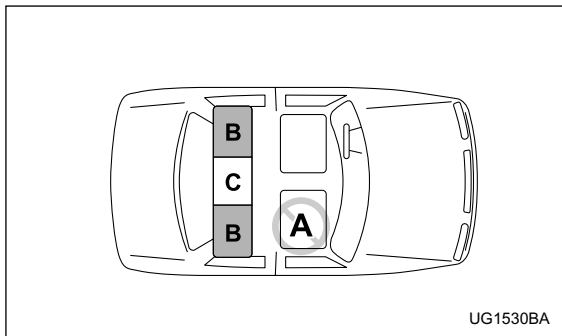
Children should be properly restrained at all times. Never allow a child to stand up, or to kneel on any seat. Unrestrained children will be thrown forward during sudden stop or in an accident and can be injured seriously.

Additionally, children standing up or kneeling on or in front of the front seat are exposed another serious danger. Since the SRS airbag deploys with considerable speed and force, the child could be injured or even killed.

– CONTINUED –

## ■ Where to place a child restraint system

The following are SUBARU's recommendations on where to place a child restraint system in your vehicle.



### A: Front passenger's seat

You should not install a child restraint system due to the hazard to children posed by the passenger's airbag.

### B: Rear seat, window-side seating positions

Recommended positions for all types of child restraint systems.

In these positions, Automatic/Emergency Locking Retractor (A/ELR) seatbelts and lower anchorages (bars) are provided for installing a child restraint system.

### C: Rear seat, center seating position

Installing a child restraint system is not recommended, although the A/ELR seatbelt is provided in this position.

Some types of child restraints might not be able to be secured firmly due to projection of the seat cushion.

In this seating position, you should use only a child restraint system that has a bottom base that fits snugly against the contours of the seat cushion and can be securely retained using the seatbelt.

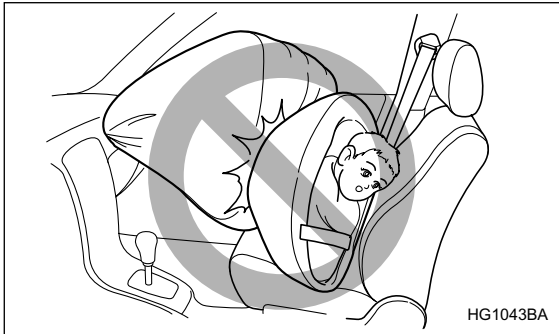
If it is unavoidable to install a child restraint system in the rear seat's center seating position, lower the center head restraint to the lowest position and install the child restraint system by correctly passing the rear center seatbelt through the belt guide.

## **⚠ WARNING**

**Put children aged 12 and under in the rear seat properly restrained at all times. The SRS airbag deploys with considerable speed and force and can injure or even kill children, especially if they are 12 years of age and under and are not restrained or improperly restrained. Because children are lighter and weaker than adults, their risk of being injured from deployment is greater.**

**For that reason, be sure to secure ALL types of**

child restraint devices (including forward facing child seats) in the REAR seats at all times. You should choose a restraint device which is appropriate for the child's age, height and weight. According to accident statistics, children are safer when properly restrained in the rear seating positions than in the front seating positions.



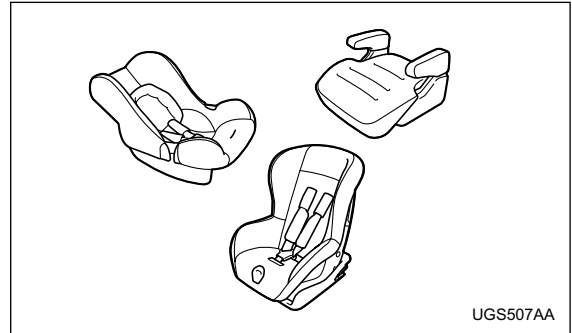
HG1043BA

**⚠ WARNING**

**SINCE YOUR VEHICLE IS EQUIPPED WITH A PASSENGER'S SRS AIRBAG, NEVER INSTALL**

**A REARWARD FACING CHILD SAFETY SEAT IN THE FRONT PASSENGER'S SEAT. DOING SO RISKS SERIOUS INJURY OR DEATH TO THE CHILD BY PLACING THE CHILD'S HEAD TOO CLOSE TO THE SRS AIRBAG.**

**■ Choosing a child restraint system**



UGS507AA

Choose a child restraint system that is appropriate for the child's age and size (weight and height) in order to provide the child with proper protection. The child restraint system should meet all applicable requirements of Federal Motor Vehicle Safety Standards for the

– CONTINUED –

United States or of Canada Motor Vehicle Safety Standards for Canada. It can be identified by looking for the label on the child restraint system or the manufacturer's statement of compliance in the document attached to the system.

Also it is important for you to make sure that the child restraint system is compatible with the vehicle in which it will be used.

## ■ Installing child restraint systems with A/ELR seatbelt

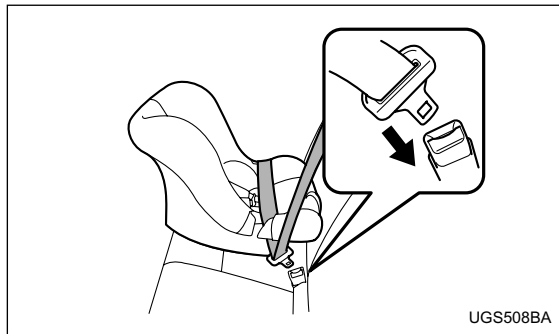
### ⚠ WARNING

- Child restraint systems and seatbelts can become hot in a vehicle that has been closed up in sunny weather; they could burn a small child. Check the child restraint system before you place a child in it.
- Do not leave an unsecured child restraint system in your vehicle. Unsecured child restraint systems can be thrown around inside of the vehicle in a sudden stop, turn or accident; it can strike and injure vehicle occupants as well as result in serious injuries or death to the child.

### ⚠ CAUTION

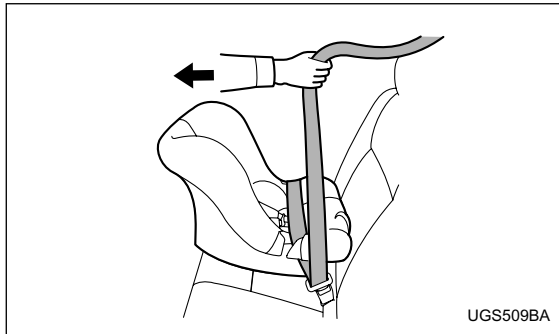
**When you install a child restraint system, follow the manufacturer's instructions supplied with it. After installing the child restraint system, check to ensure that it is held securely in position. If it is not held tight and secure, the danger of your child suffering personal injury in the event of an accident may be increased.**

### ▼ Installing a rearward facing child restraint

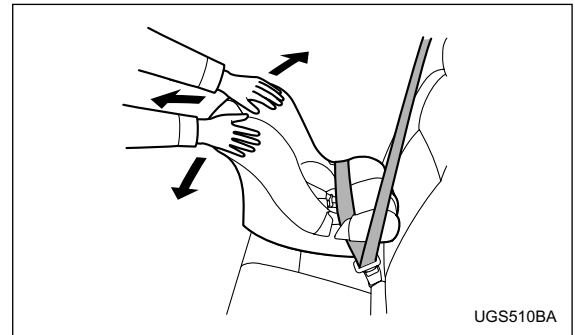


1. Place the child restraint system in the rear seating position.

2. Run the lap and shoulder belt through or around the child restraint system following the instructions provided by its manufacturer.
3. Insert the tongue plate into the buckle until you hear a click.



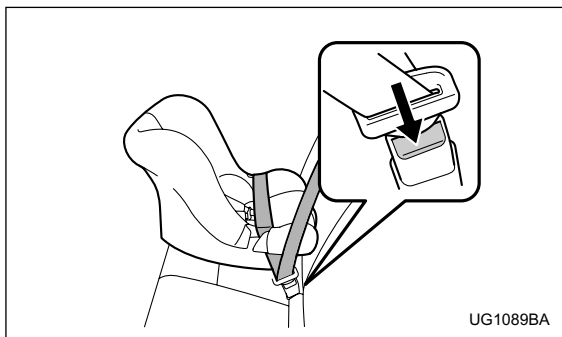
4. Take up the slack in the lap belt.
5. Pull out the seatbelt fully from the retractor to change the retractor over from the Emergency Locking Retractor (ELR) to the Automatic Locking Retractor (ALR) function. Then, allow the belt to rewind into the retractor. As the belt is rewinding, clicks will be heard which indicate the retractor functions as ALR.



6. Push and pull the child restraint system forward and from side to side to check if it is firmly secured. Sometime a child restraint can be more firmly secured by pushing it down into the seat cushion and then tightening the seatbelt.
7. Pull at the shoulder portion of the belt to confirm that it cannot be pulled out (ALR properly functioning).

– CONTINUED –





8. To remove the child restraint system, press the release button on the seatbelt buckle and allow the belt to retract completely. The belt will return to the ELR mode.

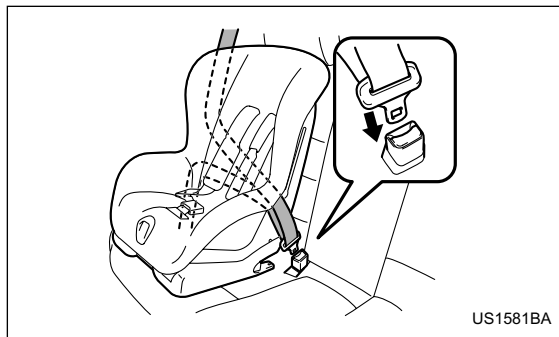
**⚠ WARNING**

**NEVER INSTALL A REARWARD FACING CHILD SEAT IN THE FRONT PASSENGER'S SEAT. DOING SO RISKS SERIOUS INJURY OR DEATH TO THE CHILD BY PLACING THE CHILD'S HEAD TOO CLOSE TO THE SRS AIRBAG.**

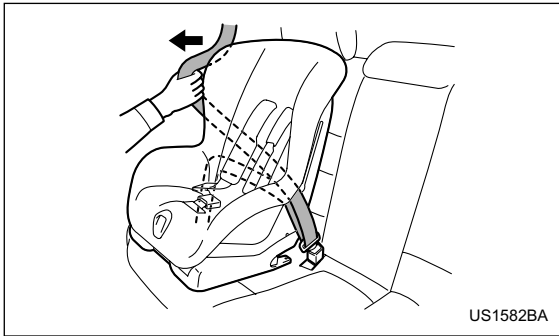
**NOTE**

When the child restraint system is no longer in use, remove it and restore the ELR function of the retractor. That function is restored by allowing the seatbelt to retract fully.

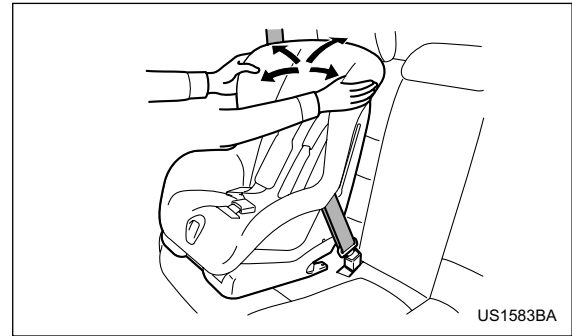
**▼ Installing forward facing child restraint**



1. Place the child restraint system in the rear seating position.
2. Run the lap and shoulder belt through or around the child restraint system following the instructions provided by its manufacturer.
3. Insert the tongue plate into the buckle until you hear a click.

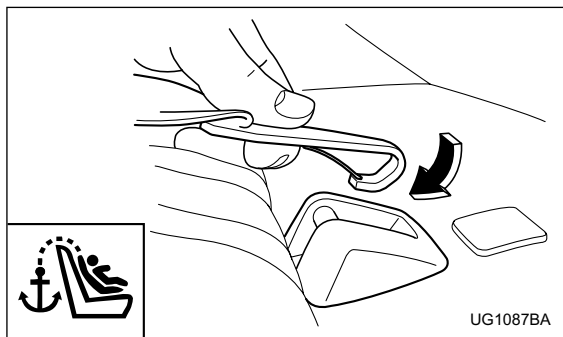


4. Take up the slack in the lap belt.
5. Pull out the seatbelt fully from the retractor to change the retractor over from the Emergency Locking Retractor (ELR) to the Automatic Locking Retractor (ALR) function. Then, allow the belt to rewind into the retractor. As the belt is rewinding, clicks will be heard which indicate the retractor functions as ALR.

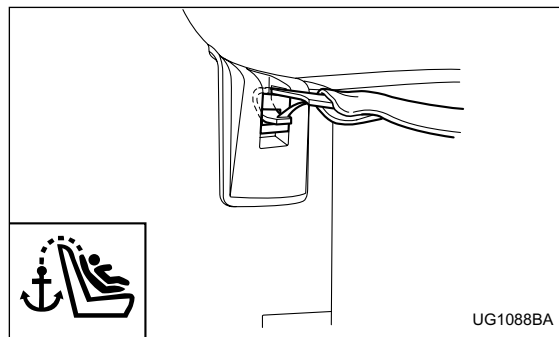


6. Before having a child sit in the child restraint system, move it back and forth and right and left to check if it is firmly secured. Sometimes a child restraint can be more firmly secured by pushing it down into the seat cushion and then tightening the seatbelt.
7. Pull at the shoulder portion of the belt to confirm that it cannot be pulled out (ALR properly functioning).

– CONTINUED –

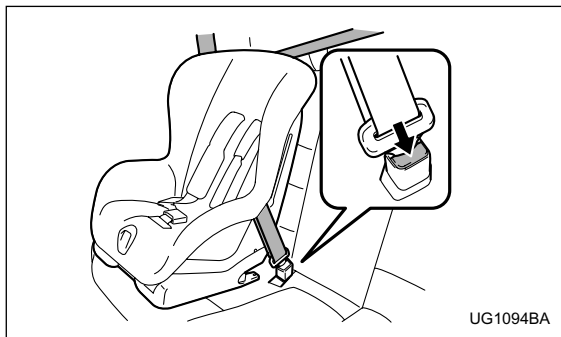


Sedan



Wagon

8. If the child restraint system requires a top tether, latch the hook onto the top tether anchor and tighten the top tether. See the “Top tether anchorages” for additional instructions.



9. To remove the child restraint system, press the release button on the seatbelt buckle and allow the belt to retract completely. The belt will return to the ELR mode.

### NOTE

When the child restraint system is no longer in use, remove it and restore the ELR function of the retractor. That function is restored by allowing the seatbelt to retract fully.

## ■ Installing a booster seat

### ⚠ WARNING

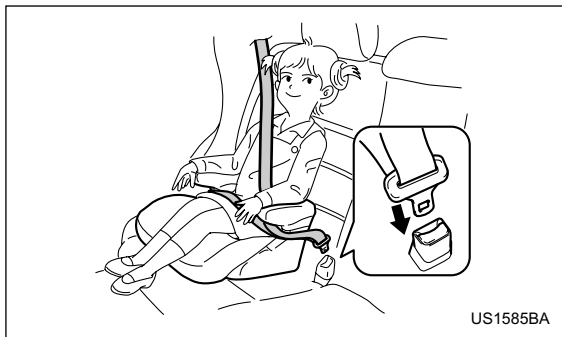
- Child restraint systems and seatbelts can become hot in a vehicle that has been closed up in sunny weather; they could burn a small child. Check the child restraint system before you place a child in it.
- Do not leave an unsecured child restraint system in your vehicle. Unsecured child restraint systems can be thrown around inside of the vehicle in a sudden stop, turn or accident; it can strike and injure vehicle occupants as well as result in serious injuries or death to the child.

### ⚠ CAUTION

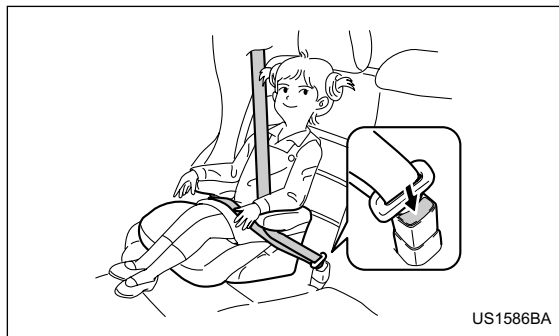
When you install a child restraint system, follow the manufacturer's instructions supplied with it. After installing the child restraint system, check to ensure that it is held securely in position. If it is not held tight and secure, the danger of your child suffering personal injury in

– CONTINUED –

the event of an accident may be increased.



1. Place the booster seat in the rear seating position and sit the child on it. The child should sit well back on the booster seat.
2. Run the lap and shoulder belt through or around the booster seat and the child following the instructions provided by its manufacturer.
3. Insert the tongue plate into the buckle until you hear a click. Take care not to twist the seatbelt. Make sure the shoulder belt is positioned across the center of child's shoulder and that the lap belt is positioned as low as possible on the child's hips.



4. To remove the booster seat, press the release button on the seatbelt buckle and allow the belt to retract.

**⚠ WARNING**

- **Never use a belt that is twisted or reversed. In an accident, this can increase the risk or severity of injury to the child.**
- **Never place the shoulder belt under the child's arm or behind the child's back. If an accident occurs, this can increase the risk or severity of injury to the child.**
- **The seatbelt should fit snugly in order to provide full restraint. Loose fitting belts are not as**

effective in preventing or reducing injury.

- Place the lap belt as low as possible on the child's hips. A high-positioned lap belt will increase the risk of sliding under the lap belt and of the lap belt sliding up over the abdomen, and both can result in serious internal injury or death.
- Make sure the shoulder belt is positioned across the center of child's shoulder. Placing the shoulder belt over the neck may result in neck injury during sudden braking or in a collision.

### ■ Installation of child restraint systems by use of lower and tether anchorages (LATCH)

#### WARNING

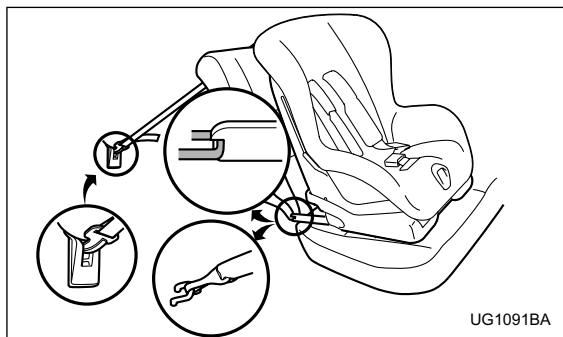
- Child restraint systems and seatbelts can become hot in a vehicle that has been closed up in sunny weather; they could burn a small child. Check the child restraint system before you place a child in it.
- Do not leave an unsecured child restraint system in your vehicle. Unsecured child re-

straint systems can be thrown around inside of the vehicle in a sudden stop, turn or accident; it can strike and injure vehicle occupants as well as result in serious injuries or death to the child.

#### CAUTION

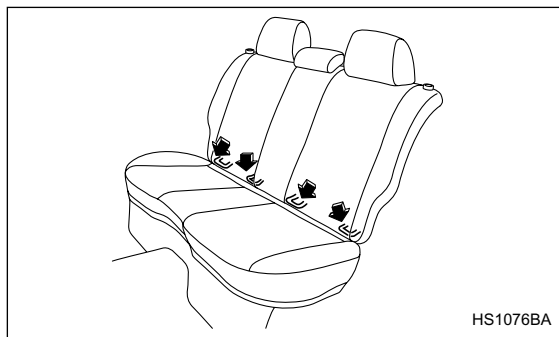
When you install a child restraint system, follow the manufacturer's instructions supplied with it. After installing the child restraint system, check to ensure that it is held securely in position. If it is not held tight and secure, the danger of your child suffering personal injury in the event of an accident may be increased.

– CONTINUED –

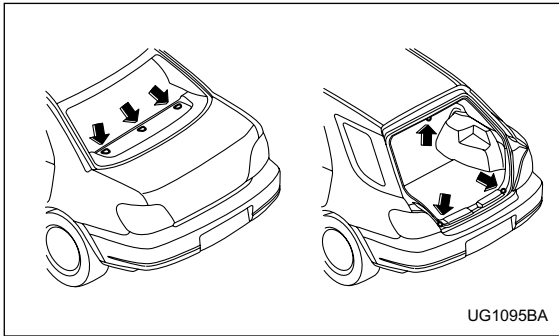


Some types of child restraint systems can be installed on the rear seat of your vehicle without use of the seatbelts. Such child restraint systems are secured to the designated anchorages provided on the vehicle body. The lower and tether anchorages are sometimes referred to as the LATCH system (**L**ower **A**nchors and **T**ethers for **C**hildren).

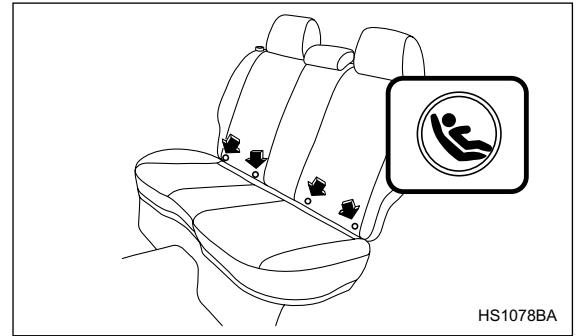
Your vehicle is equipped with four lower anchorages (bars) and three upper anchorages (tether anchorages) for accommodating such child restraint systems.




The lower anchorages (bars) are used for installing a child restraint system only on the rear seat window-side seating positions. For each window-side seating position, two lower anchorages are provided. Each lower anchorage is located where the seat cushion meets the seatback.

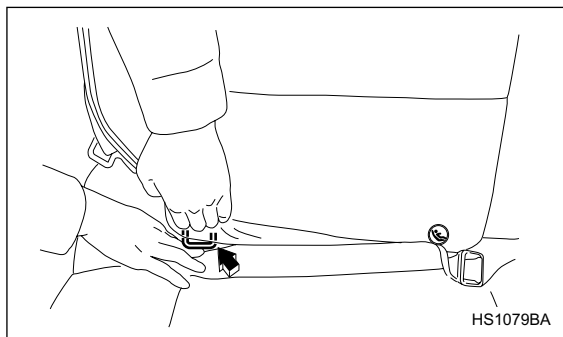


The tether anchorages (upper anchorages) are provided for all the seating positions (middle and both window-side ones) of the rear seat.




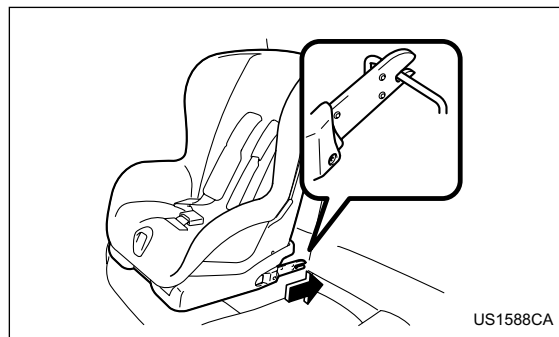
You will find marks “” at the bottom of the rear seat seatbacks. These marks indicate the positions of the lower anchorages (bars).




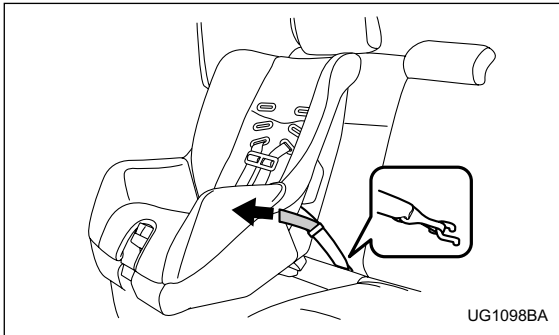


Each lower anchorage is located where the seat cushion meets the seatback.

1. Use the “” marks to locate the two lower anchorages (bars) for the position where you want to install the child restraint system.



2. While following the instructions supplied by the child restraint system manufacturer, connect the lower hooks onto the lower anchorages located at “” marks on the bottom of the rear seatback. When the hooks are connected, make sure the adjacent seatbelts are not caught.

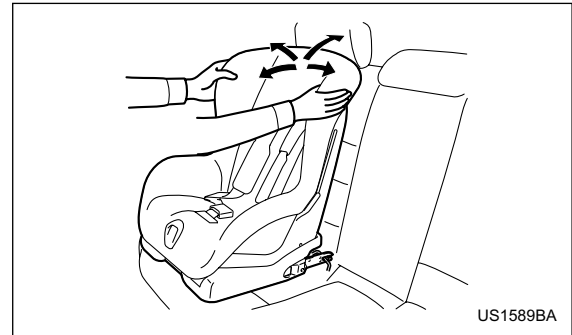


UG1098BA

3. [If your child restraint system is of a flexible attachment type (which uses tether belts to connect the child restraint system properly to the lower anchorages)] While pushing the child restraint into the seat cushion, pull both left and right lower tether belts up to secure the child restraint system firmly by taking up the slack in the belt.

4. Connect the top tether hook to the tether anchorage and firmly tighten the tether.

For information on how to set the top tether, read the following "Top tether anchorages".



US1589BA

5. Before seating a child in the child restraint system, try to move seat back and forth and right and left to verify that it is held securely in position.

6. To remove the child restraint system, follow the reverse procedures of installation.

If you have any question concerning this type of child restraint system, ask your SUBARU dealer.

### ■ Top tether anchorages

Your vehicle is equipped with three top tether anchorages so that a child restraint system having a top tether can be installed in the rear seat. When installing a child restraint system using top tether, proceed as fol-

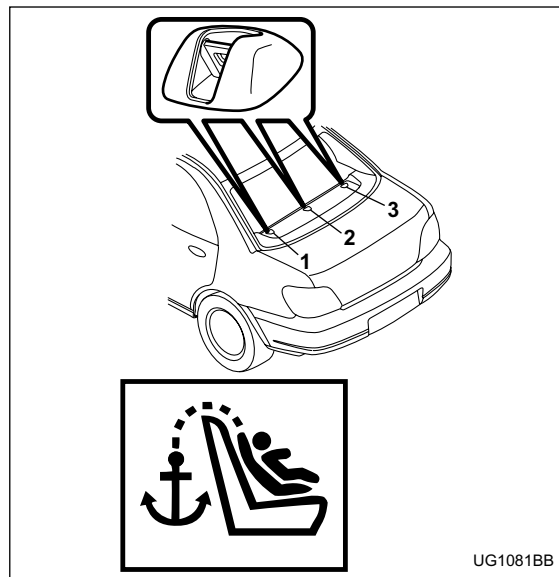
- CONTINUED -

lows, while observing the instructions by the child restraint system manufacturer.

Since a top tether can provide additional stability by offering another connection between a child restraint system and the vehicle, we recommend that you use a top tether whenever one is required or available.

▼ **Anchorage location**

▽ **Sedan**



- 1) For left seat
- 2) For center seat
- 3) For right seat

Three upper anchorages are installed on the rear shelf behind the rear seat.

▽ Wagon



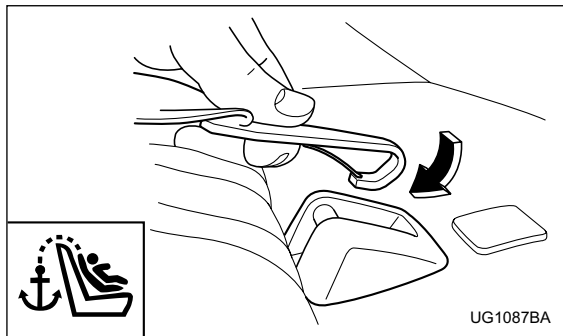
- 1) For left seat
- 2) For center seat
- 3) For right seat

– CONTINUED –

There is an anchorage for the center seating position at the rear edge of the roof, and anchorages for each of the two window-side seating positions on the rear wall of the cargo area.

### ▼ To hook the top tether

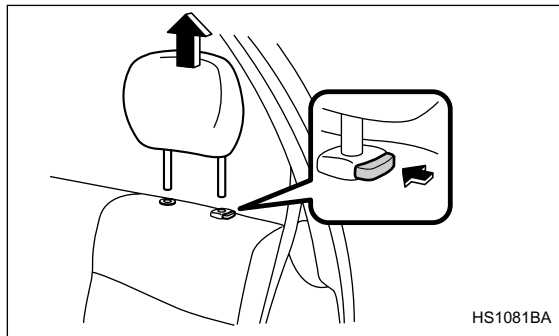
#### ▽ Sedan



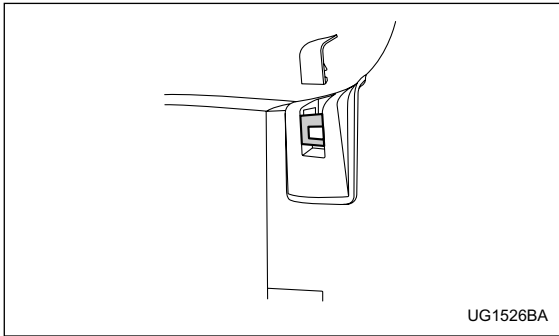
1. Attach the child restraint top tether hook to the appropriate upper anchorage.
2. Tighten the top tether securely.

Please contact your SUBARU dealer if you have any question regarding the installation of a child restraint system.

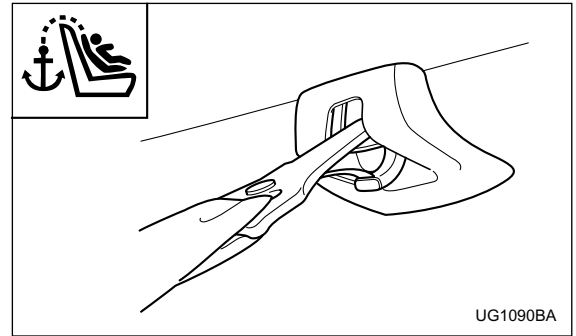
#### ▽ Wagon



1. Remove the headrest at the window-side seating position where the child restraint system has been installed with the lower anchorages or seatbelt; lift up the headrest while pressing the release button. Store the headrest in the cargo area. Avoid placing the headrest in the passenger compartment to prevent it from being thrown around in the passenger compartment in a sudden stop or a sharp turn.

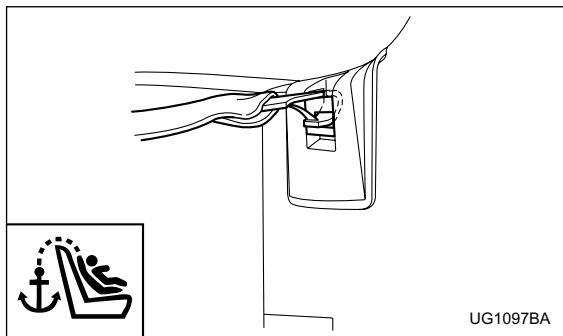


2. (For both window-side seating positions) Remove the cap from the anchor fitting cover by prying it with a screwdriver.



**Center**

– CONTINUED –



**Window-side**

3. Attach the child restraint top tether hook to the appropriate upper anchorage.
4. Tighten the top tether securely.

Please contact your SUBARU dealer if you have any question regarding the installation of a child restraint system.

**⚠ CAUTION**

**Always remove the headrest when mounting a child restraint system with a top tether. Other-**

**wise, the top tether cannot be fastened tightly.**

---

## \*SRS airbag (Supplemental Restraint System airbag)

\*SRS: This stands for supplemental restraint system. This name is used because the airbag system supplements the vehicle's seatbelts.

### ■ Vehicle with driver's and front passenger's SRS airbags and lap/shoulder restraints

Your vehicle is equipped with a supplemental restraint system in addition to a lap/shoulder belt at each front seating position.

The supplemental restraint system (SRS) consists of two airbags (driver's and front passenger's **frontal** airbags) or four airbags (driver's and front passenger's **frontal** airbags and driver's and front passenger's **side** airbags).

**These SRS airbags are designed only as a supplement to the primary protection provided by the seatbelt.**

#### **WARNING**

- To obtain maximum protection in the event of an accident, the driver and all passengers in the

vehicle should always wear seatbelts when the vehicle is moving. The SRS airbag is designed only as a supplement to the primary protection provided by the seatbelt. It does not do away with the need to fasten seatbelts. In combination with the seatbelts, it offers the best combined protection in case of a serious accident. Not wearing a seatbelt increases the chance of severe injury or death in a crash even when the vehicle has the SRS airbag.

For instructions and precautions concerning the seatbelt system, see the "Seatbelts" sections in this chapter.

- Do not sit or lean unnecessarily close to the SRS airbag. Because the SRS airbag deploys with considerable speed – faster than the blink of an eye – and force to protect in high speed collisions, the force of an airbag can injure an occupant whose body is too close to SRS airbag.

It is also important to wear your seatbelt to help avoid injuries that can result when the SRS airbag contacts an occupant not in proper position such as one thrown forward during pre-accident braking.

Even when properly positioned, there remains a possibility that an occupant may suffer minor

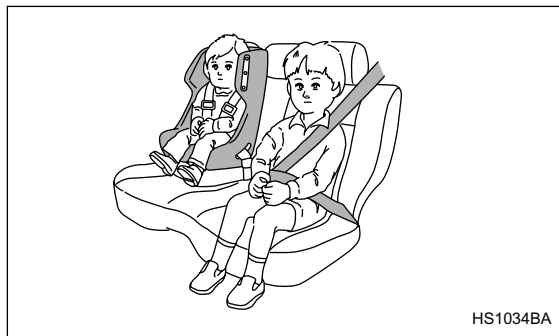
– CONTINUED –



injury such as abrasions and bruises to the face or arms because of the SRS airbag deployment force.

- The SRS airbags deploy with considerable speed and force. Occupants who are out of proper position when the SRS airbag deploys could suffer very serious injuries. Because the SRS airbag needs enough space for deployment, the driver should always sit upright and well back in the seat as far from the steering wheel as practical while still maintaining full vehicle control and the front passenger should move the seat as far back as possible and sit upright and well back in the seat.

- Do not place any objects over or near the SRS airbag cover or between you and the SRS airbag. If the SRS airbag deploys, those objects could interfere with its proper operation and could be propelled inside the vehicle and cause injury.



**⚠ WARNING**

- Put children aged 12 and under in the rear seat properly restrained at all times. The SRS airbag deploys with considerable speed and force and can injure or even kill children, especially if they are 12 years of age and under and are not restrained or improperly restrained. Because children are lighter and weaker than adults, their risk of being injured from deployment is greater.

For that reason, we strongly recommend that ALL children (including those in child seats and those that have outgrown child restraint devices)

es) sit in the REAR seat properly restrained at all times in a child restraint device or in a seatbelt, whichever is appropriate for the child's age, height and weight.

Secure ALL types of child restraint devices (including forward facing child seats) in the REAR seats at all times.

According to accident statistics, children are safer when properly restrained in the rear seating positions than in the front seating positions.

For instructions and precautions concerning the child restraint system, see the "Child restraint systems" section in this chapter.

- **NEVER INSTALL A REARWARD FACING CHILD SEAT IN THE FRONT SEAT. DOING SO RISKS SERIOUS INJURY OR DEATH TO THE CHILD BY PLACING THE CHILD'S HEAD TOO CLOSE TO THE SRS AIRBAG.**

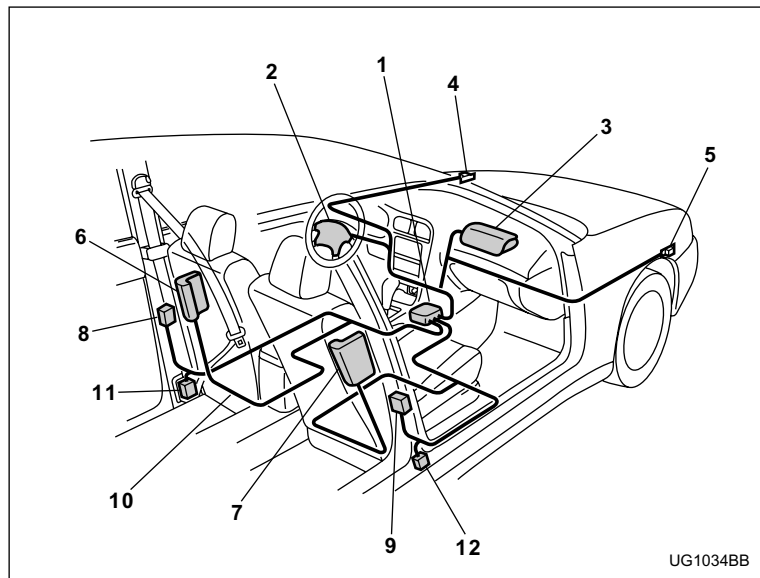
- Never allow a child to stand up, or to kneel on the front passenger's seat, or never hold a child on your lap or in your arms. The SRS airbag deploys with considerable force and can injure or even kill the child.

### CAUTION

- When the SRS airbag deploys, some smoke will be released. This smoke could cause breathing problems for people with a history of asthma or other breathing trouble. If you or your passengers have breathing problems after SRS airbag deploys, get fresh air promptly.
- A deploying SRS airbag releases hot gas. Occupants could get burnt if they come into direct contact with the hot gas.

### NOTE

When you sell your vehicle, we urge you to explain to the buyer that it is equipped with SRS airbags by alerting him to the applicable section in this owner's manual.

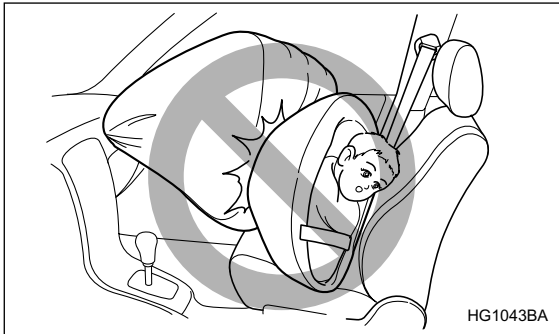


- 1) Airbag control module (including impact sensors)
- 2) Airbag module (driver's side)
- 3) Airbag module (passenger's side)
- 4) Front sub sensor (left hand side)
- 5) Front sub sensor (right hand side)
- 6) Side airbag module (driver's side – if equipped)
- 7) Side airbag module (passenger's side – if equipped)
- 8) Side airbag sensor (driver's side – if equipped)
- 9) Side airbag sensor (passenger's side – if equipped)
- 10) Airbag wiring (yellow)
- 11) Seatbelt pretensioner (driver's side)
- 12) Seatbelt pretensioner (passenger's side)

## ■ SRS frontal airbag

The driver's SRS frontal airbag is stowed in the center portion of the steering wheel. The passenger's SRS frontal airbag is stowed near the top of the dashboard under an "SRS AIRBAG" mark.

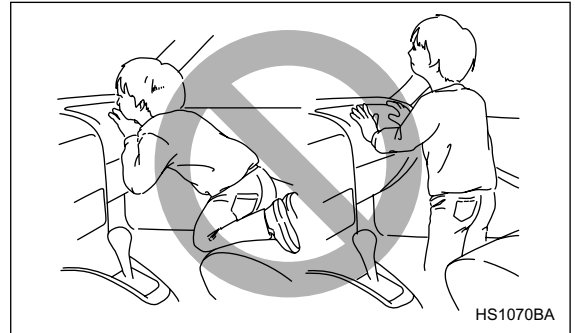
In a moderate to severe frontal collision, the driver's and front passenger's SRS frontal airbags deploy and supplement the seatbelts by reducing the impact on the driver's and front passenger's head and chest.



### **▲ WARNING**

**NEVER INSTALL A REARWARD FACING CHILD SEAT IN THE FRONT SEAT. DOING SO RISKS**

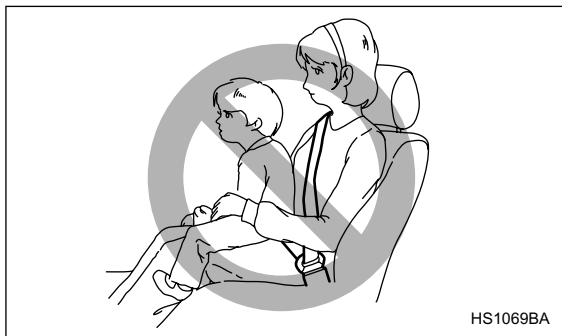
**SERIOUS INJURY OR DEATH TO THE CHILD BY PLACING THE CHILD'S HEAD TOO CLOSE TO THE SRS AIRBAG.**



### **▲ WARNING**

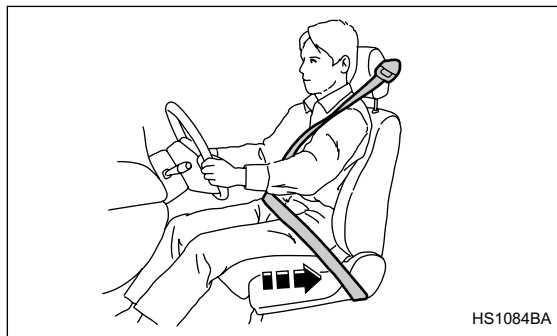
**Never allow a child to stand up, or to kneel on the front passenger's seat. The SRS airbag deploys with considerable force and can injure or even kill the child.**

– CONTINUED –



**⚠ WARNING**

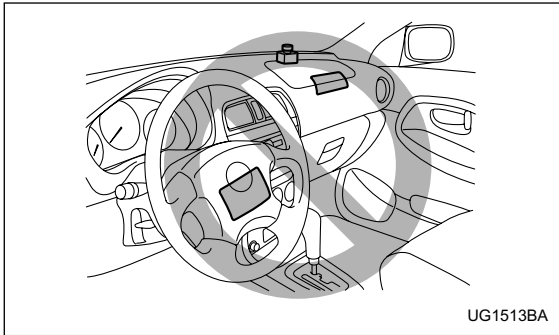
Never hold a child on your lap or in your arms. The SRS airbag deploys with considerable force and can injure or even kill the child.



**⚠ WARNING**

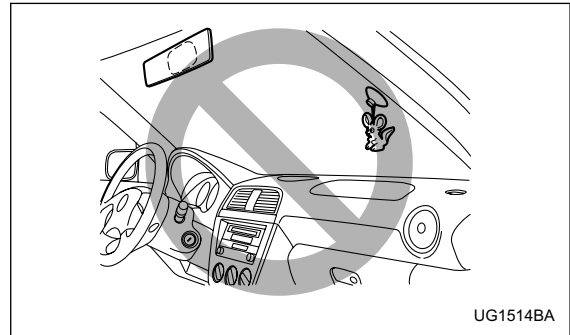
The SRS airbag deploys with considerable speed and force. Occupants who are out of proper position when the SRS airbag deploys could suffer very serious injuries. Because the SRS airbag needs enough space for deployment, the driver should always sit upright and well back in the seat as far from the steering wheel as practical while still maintaining full vehicle control and the front passenger should move the seat as far back as possible and sit upright and well back in the seat. It is also important to wear your seatbelt to help

avoid injuries that can result when the SRS airbag contacts an occupant not in proper position such as one thrown toward the front of the vehicle during pre-accident braking.



**⚠ WARNING**

Do not put any objects over the steering wheel pad and dashboard. If the SRS frontal airbag deploys, those objects could interfere with its proper operation and could be propelled inside the vehicle and cause injury.

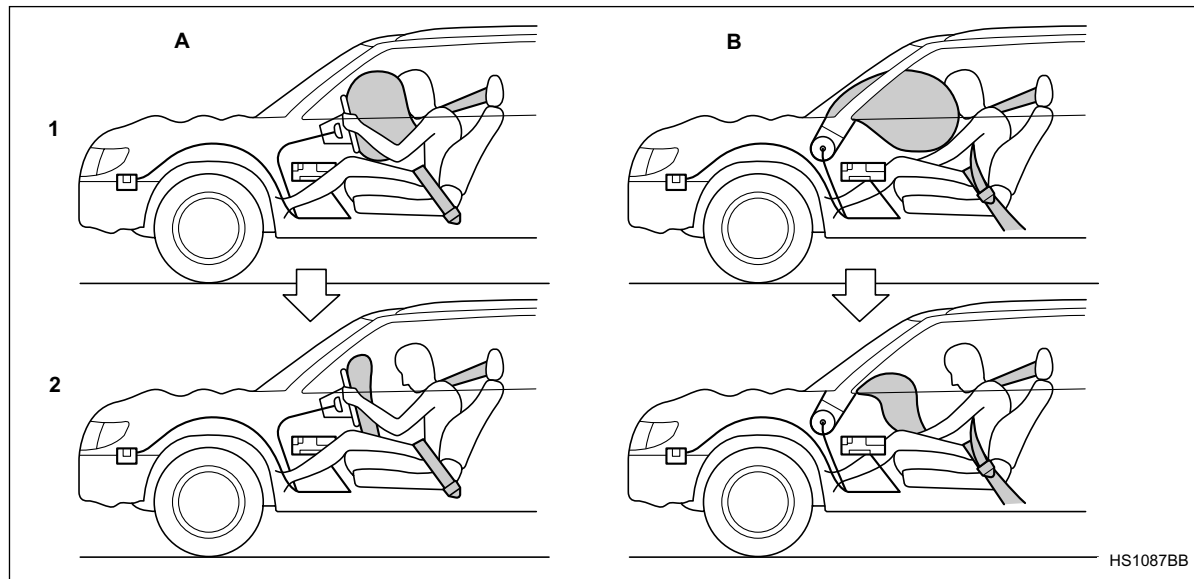


**⚠ WARNING**

Do not attach accessories to the windshield, or fit an extra-wide mirror over the rear view mirror. If the SRS airbag deploys, those objects could become projectiles that could seriously injure vehicle occupants.

– CONTINUED –

▼ Operation



A) Driver's side

B) Passenger's side

1) SRS AIRBAGs deploy as soon as a collision occurs.

2) After deployment, SRS AIRBAGs start to deflate immediately so that the driver's vision is not obstructed.

The SRS airbag can function only when the ignition switch is in the “ON” position.

If the front sub sensors inside the both front fenders and the impact sensors in the airbag control module detect a certain predetermined amount of force during a frontal collision, the control module sends signals to the frontal airbag modules instructing them to inflate the SRS frontal airbags. Then both airbag modules produce gas, which instantly inflates driver’s and passenger’s SRS frontal airbags. After the deployment, the SRS airbags immediately start to deflate so that the driver’s vision is not obstructed. The time required from detecting impact to the deflation of the SRS airbag after deployment is shorter than the blink of an eye.

The front passenger’s SRS frontal airbag deploys together with driver’s SRS frontal airbag even when no one occupies the front passenger’s seat.

Although it is highly unlikely that the SRS airbag would activate in a non-accident situation, should it occur, the SRS airbag will deflate quickly, not obscuring vision and will not interfere with the driver’s ability to maintain control of the vehicle.

When the SRS airbag deploys, a sudden, fairly loud inflation noise will be heard and some smoke will be

released. These occurrences are normal result of the deployment. This smoke does not indicate a fire in the vehicle.

 **CAUTION**

**Do not touch the SRS airbag system components around the steering wheel and dashboard with bare hands right after deployment. Doing so can cause burns because the components can be very hot as a result of deployment.**

The SRS frontal airbag is designed to deploy in the event of an accident involving a moderate to severe frontal collision. It is basically not designed to deploy in lesser frontal impacts because the necessary protection can be achieved by the seatbelt alone. Also, it is basically not designed to deploy in side or rear impacts or in roll-over accidents because deployment of the SRS frontal airbag would not help the occupant in those situations. The SRS airbag is designed to function on a one-time-only basis.

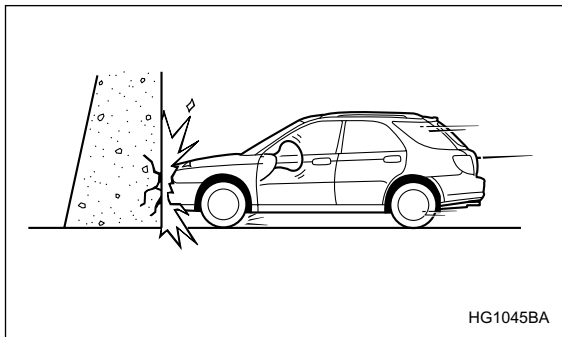
SRS airbag deployment depends on the level of force experienced in the passenger compartment during a collision. That level differs from one type of collision to another, and it may have no bearing on the visible

– CONTINUED –



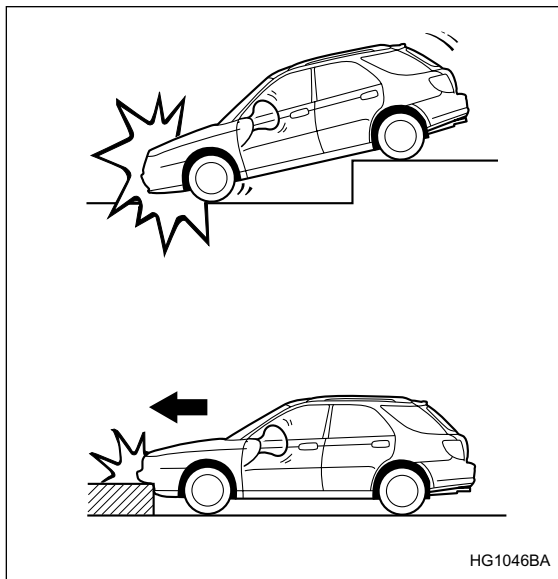
damage done to the vehicle itself.

- ▽ **When will the SRS frontal airbag most likely deploy?**



A head-on collision against a thick concrete wall at a vehicle speed of 12 to 19 mph (20 to 30 km/h) or higher activates the SRS frontal airbag. The SRS frontal airbag will also be activated when the vehicle is exposed to a frontal impact similar in fashion and magnitude to the above-mentioned collision.

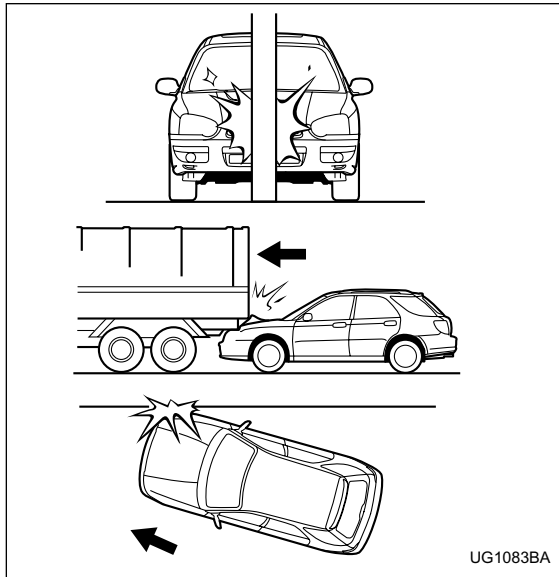
- ▽ **At what other times might the SRS frontal airbag deploy?**



The SRS frontal airbag may be activated when the vehicle sustains a hard impact in the undercarriage area from the road surface (such as when the vehicle

plunges into a deep ditch, is severely bumped or knocked hard against an obstacle on the road such as a curb).

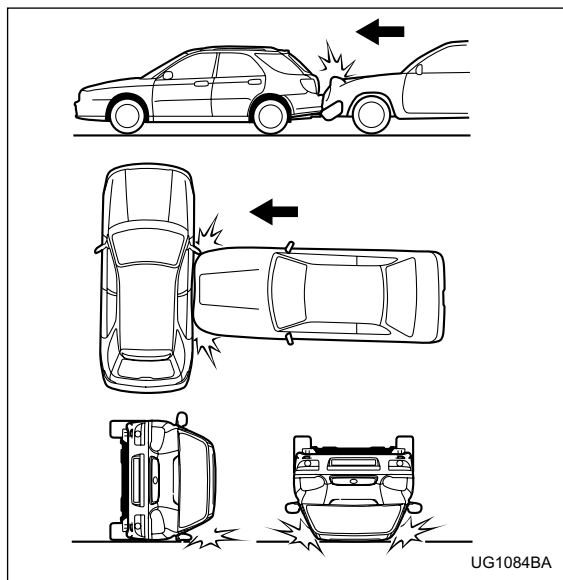
▽ **When is the SRS frontal airbag unlikely to deploy?**



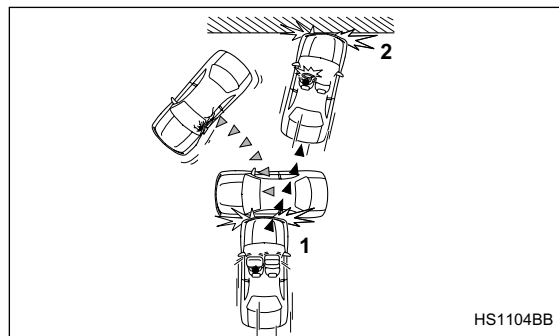
There are many types of collisions which might not necessarily require SRS frontal airbag deployment. If the vehicle strikes an object, such as a telephone pole or sign pole, or if it slides under a truck's load bed, or if it sustains an oblique offset frontal impact, the SRS frontal airbag may not deploy depending on the level of accident forces involved.

– CONTINUED –

▽ When will the SRS frontal airbag not deploy?



The SRS frontal airbag is basically not designed to deploy if the vehicle is struck from side or from behind, or if it rolls onto its side or roof, or if it is involved in a low-speed frontal collision.



- 1) First impact
- 2) Second impact

In an accident where the vehicle is impacted more than once, the SRS frontal airbag deploys only once.

Example: In the case of a double collision, first with another vehicle, then against a concrete wall in immediate succession, once the SRS frontal airbag is activated on the first impact, it will not be activated on the second.

## ■ SRS side airbag (if equipped)

The SRS side airbag is stored in the door side of each front seatback, which bears an “SRS AIRBAG” label. In a moderate to severe side impact collision, the SRS side airbag on the impacted side of the vehicle deploys between the occupant and the door panel and supplements the seatbelt by reducing the impact on the occupant’s chest and head.

### **▲ WARNING**

The SRS side airbag is designed as only a supplement to the primary protection provided by the seatbelt. It does not do away with the need to fasten seatbelts. It is also important to wear your seatbelt to help avoid injuries that can result when an occupant is not seated in a proper upright position.



### **▲ WARNING**

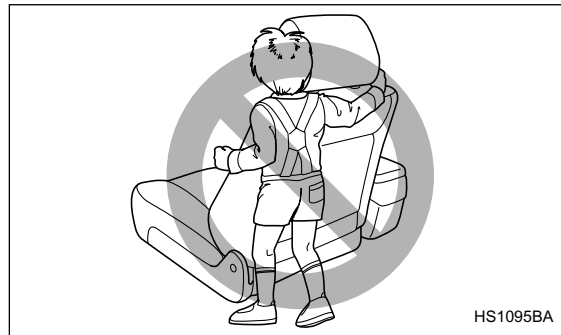
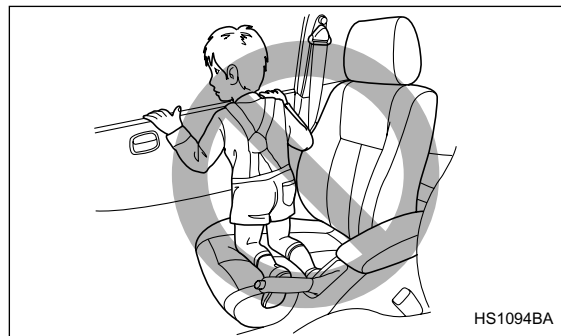
Do not sit or lean unnecessarily close to either front door. The SRS side airbag is stored in both front seat seatbacks next to the door, and it provides protection by deploying rapidly (faster than the blink of an eye) in the event of a side impact collision. However, the force of SRS side airbag deployment may cause injuries if your head or other body parts are too close to the SRS side airbag.

– CONTINUED –



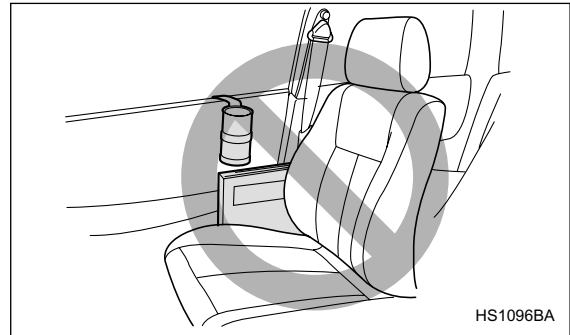
**⚠ WARNING**

**Do not rest your arm on either front door or its internal trim. It could be injured in the event of SRS side airbag deployment.**



**⚠ WARNING**

Never allow a child to kneel on the front passenger's seat facing the side window or to wrap his/her arms around the front seatback. In the event of an accident, the force of the SRS side airbag deployment could injure the child seriously because his/her head or arms or other body parts are too close to the SRS side airbag. Since your vehicle is also equipped with a passenger's SRS frontal airbag, children aged 12 and under should be placed in the rear seat anyway and should be properly restrained at all times.



**⚠ WARNING**

Do not attach accessories to the door trim or near either SRS side airbags and do not place objects near the SRS side airbags. In the event of the SRS side airbag deployment, they could be propelled dangerously toward the vehicle's occupants and cause injuries.

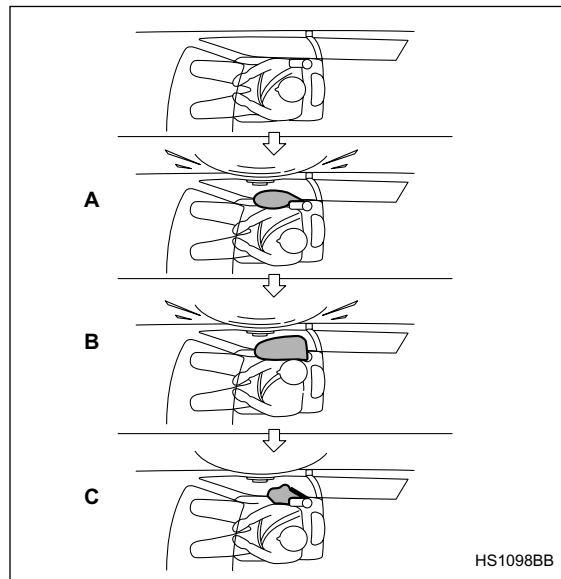
– CONTINUED –



**⚠ WARNING**

Do not put any kind of cover or clothes or other objects over either front seatback and do not attach labels or stickers to the front seat surface on or near the SRS side airbag. They could prevent proper deployment of the SRS side airbag, reducing protection available to the front seat's occupant.

▼ Operation



- A) SRS side airbag deploys as soon as a collision occurs.
- B) SRS side airbag protects the front passenger's head and chest.

C) After deployment, SRS side airbag starts to deflate immediately.

The SRS side airbag can function only when the ignition switch is in the “ON” position.

The driver’s and front passenger’s SRS side airbags deploy independently of each other since each has its own impact sensor. Also, the SRS side airbag deploys independently of the frontal airbags in the steering wheel and instrument panel.

An impact sensor is incorporated into each of the vehicle’s center pillars. If either sensor detects a certain predetermined amount of force during a side impact collision, the control module sends a signal to the side airbag module on the impacted side of the vehicle, instructing it to inflate the SRS side airbag. Then the side airbag module produces gas, which instantly inflates the SRS side airbag. After deployment, the SRS side airbag will deflate in a few seconds.

The SRS side airbag deploys even when no one occupies the seat on the side on which an impact is applied.

When the SRS side airbag deploys, a sudden, fairly loud inflation noise will be heard and some smoke will be released. These occurrences are normal result of

the deployment. This smoke does not indicate a fire in the vehicle.

 **CAUTION**

**Do not touch the SRS side airbag system components around the front seatback with bare hands right after deployment. Doing so can cause burns because the components can be very hot as a result of deployment.**

The SRS side airbag is designed to deploy in the event of an accident involving a moderate to severe side impact collision. It is basically not designed to deploy in lesser side impact. Also, it is basically not designed to deploy in frontal or rear impacts because SRS side airbag deployment would not help the occupant in those situations.

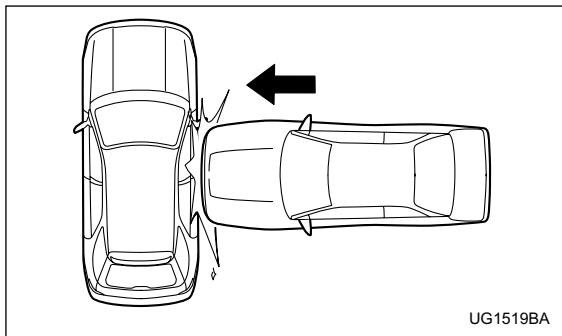
Each SRS side airbag is designed to function on a one-time-only basis.

SRS side airbag deployment depends on the level of force experienced in the passenger compartment during a side impact collision. That level differs from one type of collision to another, and it may have no bearing on the visible damage done to the vehicle itself.

– CONTINUED –

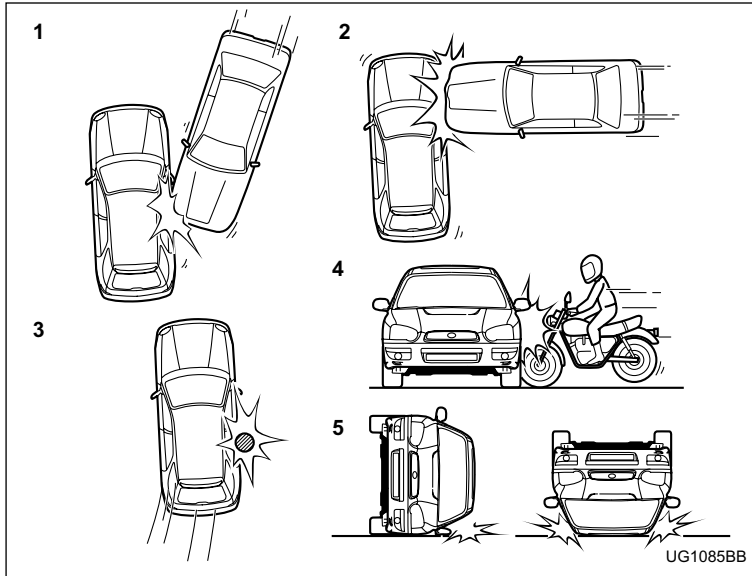


- ▽ When will the SRS side airbag most likely deploy?



A severe side impact near the front seat activates the SRS side airbag.

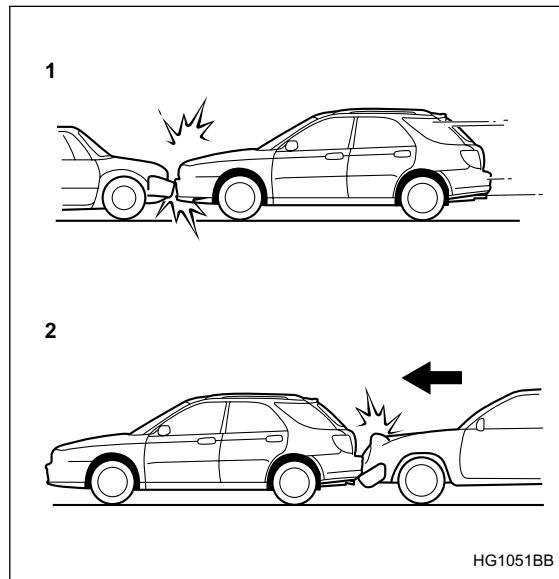
▽ When is the SRS side airbag unlikely to deploy?



- 1) The vehicle is involved in an oblique side-on impact.
- 2) The vehicle is involved in a side-on impact in an area outside the vicinity of the passenger compartment.
- 3) The vehicle strikes a telephone pole or similar object.
- 4) The vehicle is involved in a side-on impact from a motorcycle.
- 5) The vehicle rolls onto its side or roof.

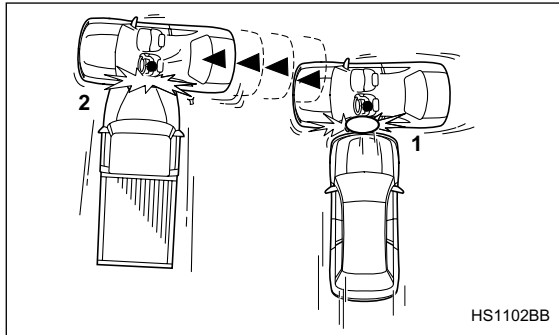
There are many types of collisions which might not necessarily require SRS side airbag deployment. In the event of accidents like those illustrated, the SRS side airbag may not deploy depending on the level of accident forces involved.

▽ **When will the SRS side airbag not deploy?**



- 1) The vehicle is involved in a frontal collision with another vehicle (moving or stationary).
- 2) The vehicle is struck from behind.

The SRS side airbag is basically not designed to deploy if the vehicle is involved in a frontal collision or is struck from behind. Examples of such accidents are illustrated.



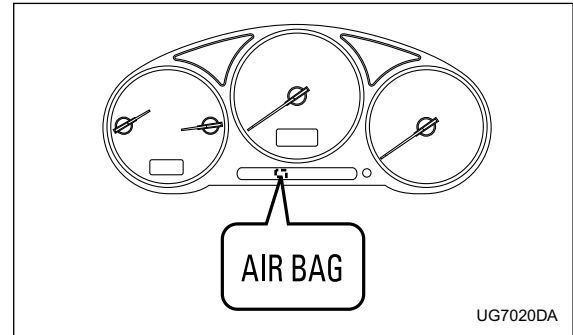
- 1) First impact
- 2) Second impact

In an accident where the vehicle is struck from the side more than once, the SRS side airbag deploys only once.

Example: In the case of a double side impact collision, first with one vehicle and immediately followed by another from the same direction, once the SRS side airbag is activated on the first impact, it will not be acti-

vated on the second.

## ■ SRS airbag system monitors



A diagnostic system continually monitors the readiness of the SRS airbag system while the vehicle is being driven. The SRS airbag system warning light "AIR-BAG" will show normal system operation by lighting for about 6 seconds when the ignition key is turned to the "ON" position.

The following components are monitored by the indicator:

- Front sub sensor (Right hand side)
- Front sub sensor (Left hand side)

– CONTINUED –

- Airbag control module (including impact sensors)
- Frontal airbag module (Driver's side)
- Frontal airbag module (Passenger's side)
- Side airbag sensor (Driver's side – if equipped)
- Side airbag sensor (Passenger's side – if equipped)
- Side airbag module (Driver's side – if equipped)
- Side airbag module (Passenger's side – if equipped)
- Seatbelt pretensioner (Driver's side)
- Seatbelt pretensioner (Passenger's side)
- All related wiring

**⚠ WARNING**

If the warning light exhibits any of the following conditions, there may be a malfunction in the seatbelt pretensioners and/or SRS airbag system. Immediately take your vehicle to your nearest SUBARU dealer to have the system checked. Unless checked and properly repaired, the seatbelt pretensioners and/or SRS airbag will not operate properly in the event of a collision, which may increase the risk of injury.

- Flashing or flickering of the indicator light
- No illumination of the warning light when the ignition switch is first turned to the "ON" position

- Continuous illumination of the warning light
  - Illumination of the warning light while driving
- 

**■ SRS airbag system servicing**

**⚠ WARNING**

- When discarding an airbag module or scrapping the entire vehicle damaged by a collision, consult your SUBARU dealer.
  - The SRS airbag has no user-serviceable parts. Do not use electrical test equipment on any circuit related to the SRS airbag system. For required servicing of the SRS airbag, see your nearest SUBARU dealer. Tampering with or disconnecting the system's wiring could result in accidental inflation of the SRS airbag or could make the system inoperative, which may result in serious injury. The wiring harnesses of the SRS airbag system are covered with yellow insulation and system connectors are yellow for easy identification.
-

**⚠ CAUTION**

If you need service or repair in areas listed below, we recommend that you have an authorized SUBARU dealer perform the work. The SRS airbag control module, impact sensors and airbag modules are stored in these areas.

- Under the center console
- Inside each front fender
- Steering wheel and column and nearby areas
- Top of the dashboard on front passenger's side and nearby areas
- Each front seat and nearby area (only for vehicles with SRS side airbags)
- Inside each center pillar

In the event that the SRS airbag is deployed, replacement of the system should be performed only by an authorized SUBARU dealer. When the components of the SRS airbag system are replaced, use only genuine SUBARU parts.

To ensure their long-term reliability, the SRS airbags must be inspected by a SUBARU dealer ten years after the date of manufacture, which is shown on the certification plate attached to the driver's door jamb.

**NOTE**

In the following cases, contact your SUBARU dealer as soon as possible.

- The front part of the vehicle was involved in an accident in which the SRS frontal airbags did not deploy.
- The pad section of the steering wheel or front passenger's frontal airbag cover is scratched, cracked, or otherwise damaged.

In addition, if your vehicle is equipped with SRS side airbags, contact your SUBARU dealer as soon as possible in the following cases.

- Either center pillar or a nearby area of the vehicle was involved in an accident in which the SRS side airbag did not deploy.
- The fabric or leather of either front seatback is cut, frayed, or otherwise damaged.

**■ Precautions against vehicle modification****⚠ WARNING**

- To avoid accidental activation of the system or rendering the system inoperative, which may result in serious injury, no modifications

– CONTINUED –

should be made to any components or wiring of the SRS airbag system.

This includes following modifications:

- Installation of custom steering wheels
- Attachment of additional trim materials to the dashboard
- Installation of custom seats (for vehicles with SRS side airbags only)
- Replacement of seat fabric or leather (for vehicles with SRS side airbags only)
- Installation of additional fabric or leather on the front seat (for vehicles with SRS side airbags only)
- Installation of additional electrical/electronic equipment such as a mobile two-way radio on or near the SRS airbag system components and/or wiring is not advisable. This could interfere with proper operation of the SRS airbag system.

---

 **CAUTION**

Do not perform any of the following modifications. Such modifications can interfere with proper operation of the SRS airbag system.

- Attachment of any equipment (brush bar,

winches, snow plow, skid plate, etc.) other than genuine SUBARU accessory parts to the front end.

- Modification of the suspension system or front end structure.
- Installation of a tire of different size and construction from the tires specified on the tire placard attached to the driver's door jamb.
- Attachment of any equipment (side steps or side sill protectors, etc.) other than genuine SUBARU accessory parts to the side body (for vehicles with side airbags only).

---

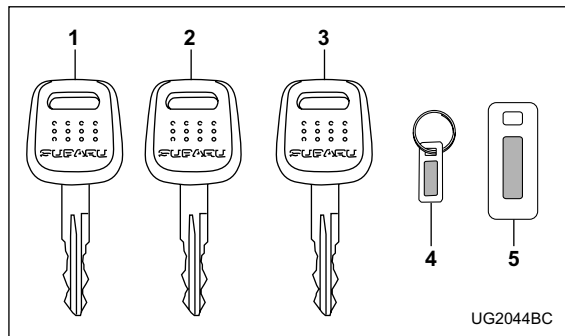
Always consult your SUBARU dealer if you want to install any accessory parts to your vehicle.

# Keys and doors

<b>Keys</b> .....	2-2	<b>To open and close the trunk lid from outside</b> .....	2-27
Key number .....	2-3	<b>To open the trunk lid from inside</b> .....	2-28
<b>Immobilizer (WRX-STi)</b> .....	2-3	<b>To cancel the trunk lid release</b> .....	2-28
Security ID plate .....	2-4	<b>Internal trunk lid release handle</b> .....	2-28
Security indicator light .....	2-5	<b>Rear gate (Wagon)</b> .....	2-31
Key replacement .....	2-5	<b>Moonroof (if equipped)</b> .....	2-33
<b>Door locks</b> .....	2-6	Tilt function .....	2-33
Locking and unlocking from the outside .....	2-6	Sliding function .....	2-33
Locking and unlocking from the inside .....	2-7	Sun shades .....	2-35
<b>Power door locking switches</b> .....	2-8		
<b>Remote keyless entry system</b> .....	2-9		
Locking the doors .....	2-10		
Unlocking the doors .....	2-10		
Illuminated entry .....	2-11		
Vehicle finder function .....	2-11		
Sounding a panic alarm .....	2-11		
Selecting audible signal operation .....	2-11		
Replacing the battery .....	2-11		
Replacing lost transmitters .....	2-13		
<b>Security system (if equipped)</b> .....	2-17		
System operation .....	2-17		
Arming the system .....	2-17		
Disarming the system .....	2-19		
Valet mode .....	2-20		
Passive arming .....	2-20		
<b>Child safety locks</b> .....	2-23		
<b>Windows</b> .....	2-24		
Power windows .....	2-24		
<b>Trunk lid (Sedan)</b> .....	2-27		

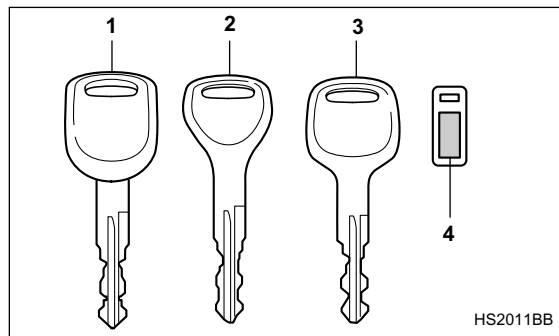


## Keys



### WRX-STi

- 1) Master key (Black)
- 2) Submaster key (Black)
- 3) Valet key (Gray)
- 4) Key number plate
- 5) Security ID plate



### Except WRX-STi

- 1) Master key
- 2) Submaster key
- 3) Valet key
- 4) Key number plate

Three types of keys are provided for your vehicle:  
Master key, submaster key and valet key.

The master key and submaster key fit all locks on your vehicle.

- Ignition switch
- Doors
- Trunk (Sedan)
- Glove box

The valet key fits only the ignition switch and driver's door lock. You can keep the trunk and glove box locked when you leave your vehicle and valet key at a parking facility.

**⚠ CAUTION**

**Do not attach a large key holder or key case to either key. If it banged against your knees while you were driving, it could turn the ignition switch from the ON position to the ACC or OFF position, thereby stopping the engine.**

**■ Key number**

The key number is stamped on the metal plate attached to the key set. Write down the key number and keep it in another safe place, not in the vehicle. This number is needed to make a replacement key if you lose your key or lock it inside the vehicle.

## Immobilizer (WRX-STi)

The immobilizer system is designed to prevent an unauthorized person from starting the engine. Only keys registered with your vehicle's immobilizer system can be used to operate your vehicle. Even if an unregistered key fits into the ignition switch and can be turned to the "START" position, the engine will automatically stop after several seconds.

Each immobilizer key contains a transponder in which the key's ID code is stored. When a key is inserted into the ignition switch and turned to the "ON" position, the transponder transmits the key's ID code to the immobilizer system's receiver. If the transmitted ID code matches the ID code registered in the immobilizer system, the system allows the engine to be started. Since the ID code is transmitted and acted upon almost instantly, the immobilizer system does not impede normal starting of the engine.

If the engine fails to start, pull out the key once before trying again. (Refer to the "Ignition switch" section [chapter 3].)

### NOTE

**To protect your vehicle from theft, please pay close attention to the following security precautions:**

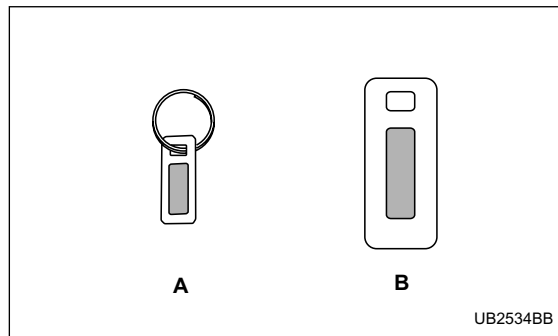
– CONTINUED –

- Never leave your vehicle unattended with its keys inside.
- Before leaving your vehicle, close all windows and lock the doors and rear gate.
- Do not leave spare keys or any record of your key number in the vehicle.

**▲ CAUTION**

- Do not place the key under direct sunlight or anywhere it may become hot.
- Do not get the key wet. If the key gets wet, wipe it dry with a cloth immediately.

## ■ Security ID plate



- A) Key number plate  
B) Security ID plate

The security ID is stamped on the metal plate attached to the key set. Write down the security ID and keep it in another safe place, not in the vehicle. This number is needed to make a replacement key if you lose your key or lock it inside the vehicle.

This number is also needed for replacement or repair of the engine control unit, immobilizer control unit.

## ■ Security indicator light



The security indicator light deters potential thieves by indicating that the vehicle is equipped with an immobilizer system. It begins flashing (approximately once every three seconds) about 60 seconds after the ignition switch is turned from the “ON” position to the “ACC” or “LOCK” position or immediately after the key is pulled out.

If the security indicator light does not flash, the immobilizer system may be faulty. If this occurs, we recommend that you contact your SUBARU dealer as soon as possible.

In case an unauthorized key is used (e.g. an imitation key), the security indicator light comes on.

### NOTE

**Even if the security indicator light flashes irregularly or its fuse blows (the light does not flash if its fuse is blown), the immobilizer system will function normally.**

## ■ Key replacement

Your key number and security ID will be required if you ever need a replacement key made. Any new key must be registered for use with your vehicle’s immobilizer system before it can be used. Up to four keys can

be registered for use with one vehicle.

For security, all the keys registered with your vehicle’s immobilizer system will have their ID codes erased and re-registered when a new key is made. Therefore, all of your vehicle’s keys must be presented when a new key is registered. Any key that is not re-registered when a new key is made cannot be used after the other keys are re-registered. For information on replacement keys and on the registration of keys with your immobilizer system, we recommend that you contact your SUBARU dealer.

### NOTE

**This device complies with Part 15 of the FCC Rules and with RSS-210 of Industry Canada. Operation is subject to the following two conditions:**

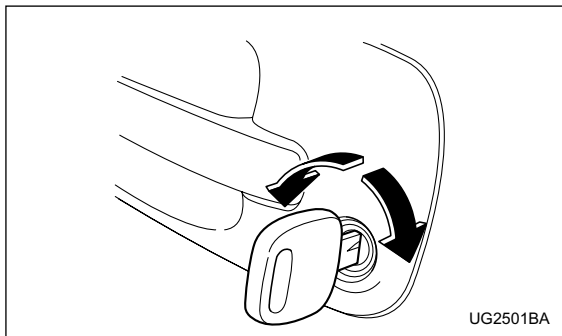
**(1) This device may not cause harmful interference, and (2) this device must accept any interference received, including interference that may cause undesired operation.**

**NO USER SERVICEABLE PARTS INSIDE.**

**DO NOT ATTEMPT TO MODIFIED THIS EQUIPMENT. IF MODIFIED, YOUR AUTHORITY TO OPERATE THIS EQUIPMENT MIGHT BE VOIDED BY FCC or Industry Canada.**

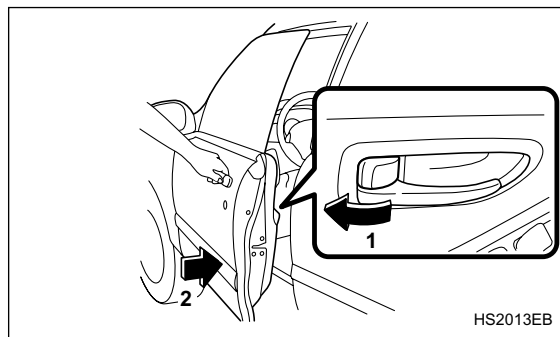
## Door locks

### ■ Locking and unlocking from the outside



To lock the door from the outside with the key, turn the key toward the rear. To unlock the door, turn the key toward the front.

Pull the outside door handle to open an unlocked door.



- 1) Rotate the lock lever rearward.
- 2) Close the door.

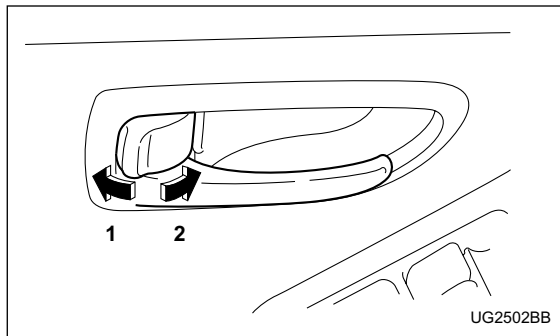
To lock the door from the outside without the key, rotate the lock lever rearward and then close the door.

To lock the door from the outside using the power door locking switch, push the front side of the switch ("LOCK" side) and then close the door. In this case, all closed doors and the rear gate (for Wagon) are locked at the same time.

Always make sure that all doors and the rear gate (for Wagon) are locked before leaving your vehicle.

**NOTE**

**Make sure that you do not leave the key inside the vehicle when locking the doors from the outside without the key.**

**■ Locking and unlocking from the inside**

- 1) Lock
- 2) Unlock

To lock the door from the inside, rotate the lock lever rearward. To unlock the door from the inside, rotate the lock lever forward.

The red mark on the lock lever appears when the door

is unlocked.

Pull the inside door handle to open an unlocked door.

Always make sure that all doors and the rear gate (for Wagon) are closed before starting to drive.

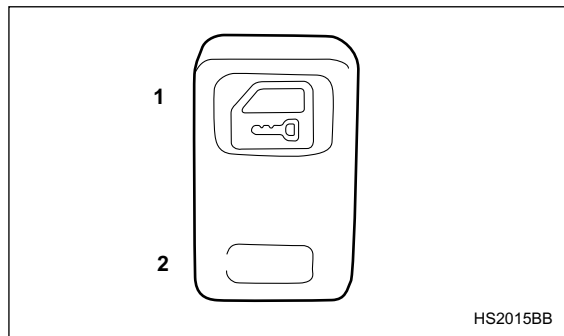
**⚠ WARNING**

**Keep all doors locked when you drive, especially when small children are in your vehicle. Along with the proper use of seatbelts and child restraints, locking the doors reduces the chance of being thrown out of the vehicle in an accident.**

**It also helps prevent passengers from falling out if a door is accidentally opened, and intruders from unexpectedly opening doors and entering your vehicle.**

## Power door locking switches

---



- 1) Lock
- 2) Unlock

All doors and the rear gate (for Wagon) can be locked and unlocked by the power door locking switches located at the driver's side and the front passenger's side doors.

To lock the doors, push the front side of the switch.  
To unlock the doors, push the rear side of the switch.

When you close the doors after you set the door locks, the doors remain locked.

### NOTE

**Make sure that you do not leave the key inside the vehicle before locking the doors from the outside using power door locking switches.**

---

## Remote keyless entry system

---

Two transmitters are provided for your vehicle.

The remote keyless entry system has the following functions.

- Locking and unlocking the doors (and rear gate on the Wagon) without a key
- Sounding a panic alarm
- Arming and disarming the security system (if your vehicle is equipped with an optional security system). See the next section “Security system (if equipped)” for detailed information.

**This device complies with Part 15 of the FCC Rules and with RSS-210 of Industry Canada. Operation is subject to the following two conditions: (1) This device may not cause harmful interference, and (2) this device must accept any interference received, including interference that may cause undesired operation.**

**Changes or modifications not expressly approved by the party responsible for compliance could void the user’s authority to operate the equipment.**

The operable distance of the keyless entry system is approximately 30 feet (10 meters). However, this distance will vary depending on environmental condi-

tions. The system’s operable distance will be shorter in areas near a facility or electronic equipment emitting strong radio waves such as a power plant, broadcast station, TV tower, or remote controller of home electronic appliances.

The remote keyless entry system does not operate when the key is inserted in the ignition switch to prevent accidental lockout.

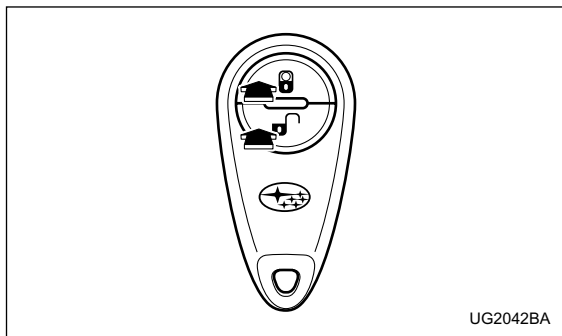
 <b>CAUTION</b>
---



- |  |
|--|
| <ul style="list-style-type: none"><li>• <b>Do not expose the transmitter to severe shocks, such as those experienced as a result of dropping or throwing.</b></li><li>• <b>Do not take the transmitter apart except when replacing the battery.</b></li><li>• <b>Do not get the transmitter wet. If it gets wet, wipe it dry with a cloth immediately.</b></li></ul> |
|--|

---


– CONTINUED –





- : LOCK/ARM button  
Press to Lock all doors.  
Press and Hold to activate panic alarm.  
Press three times in a five-second period to use vehicle finder function.
- : UNLOCK/DISARM button
- 1) Press once to Unlock driver's door.
  - 2) Press a second time to Unlock all other doors (and rear gate on the Wagon).



### ■ Locking the doors

Briefly press the “” button (for less than two seconds) to lock all doors (and rear gate on the Wagon). An electronic chirp will sound once and the turn signal



lights will flash once.

If any of the doors (or the rear gate) is not fully closed, an electronic chirp will sound five times and the turn signal lights will flash five times to alert you that the doors (or the rear gate) are not properly closed. When you close the door, it will automatically lock.


### NOTE

If the “” button is pressed for two seconds or longer, the panic alarm will sound. When locking the doors in normal circumstances, press the “” button for less than two seconds. For details on the panic alarm, refer to “Sounding a panic alarm”.

### ■ Unlocking the doors


Briefly press the “” button (for less than two seconds) to unlock the driver's door. An electronic chirp will sound twice and the turn signal lights will flash twice. To unlock all other doors (and rear gate on the Wagon), briefly press the “” button a second time within 5 seconds.


### NOTE

If the interval between the first and second presses of the “” button (for unlocking of all of the doors and the rear gate) is extremely short, the


system may not respond.

### ■ Illuminated entry


The interior (dome) light and ignition switch light (for turbo models) will illuminate when the “” button is pressed. These lights stay illuminated for approximately 30 seconds if any of the doors (or the rear gate on the Wagon) is not opened.



If the “” button is pressed before 30 seconds have elapsed, these lights will go out. Also, these lights will go out if the key is inserted in the ignition switch. The interior light switch must be set to **the middle position** in order for this function to operate.

### ■ Vehicle finder function

Use this function to find your vehicle parked among many vehicles in a large parking lot. Provided you are within 30 feet (10 meters) of the vehicle, pressing the “” button three times in a five-second period will cause your vehicle’s horn to sound once and its turn signal lights to flash three times.



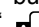
### ■ Sounding a panic alarm




To activate the alarm, keep the “” button pressed **for more than two seconds**.

The horn will sound and the turn signal lights will flash. To deactivate it, press the “” button or “” button. Unless a button on the remote is pressed, the alarm will be deactivated after approximately 30 seconds.

### ■ Selecting audible signal operation

Using an electronic chirp, the system will give you an audible signal when the doors lock and unlock. If desired, you may turn the audible signal off.

To turn the audible signal off, unlock the door by pressing the “” button and then simultaneously depress “” and “” buttons for more than two seconds. An electronic chirp will sound twice and the turn signal lights will flash twice to inform you that the audible signal has been turned off.

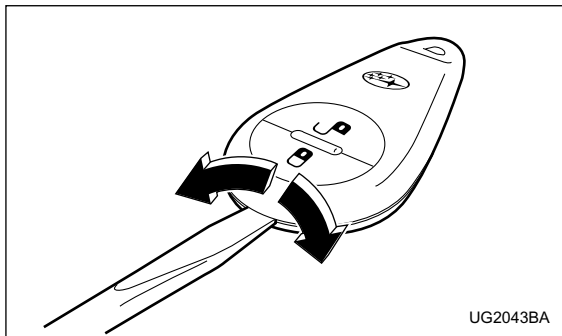
To turn the audible signal on, unlock the door by pressing the “” button and then simultaneously depress “” and “” buttons for more than two seconds. An electronic chirp will sound once and the turn signal lights will flash once to inform you that the audible signal has been turned on.

### ■ Replacing the battery

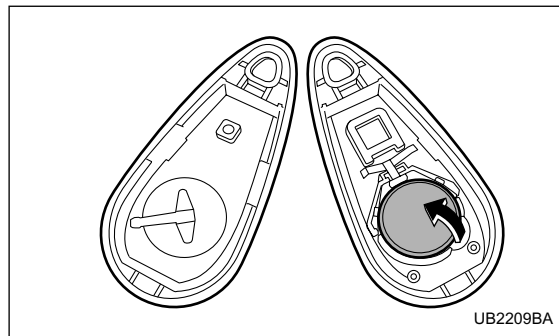
When the transmitter battery begins to get weak, transmitter range will begin to decrease. Replace the

– CONTINUED –

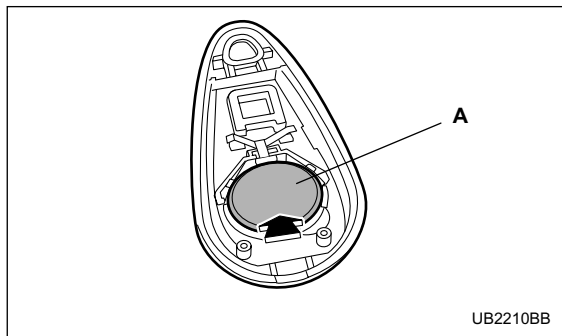
battery as soon as possible.  
To replace the battery:



1. Open the transmitter case using a flat-head screwdriver.





2. Remove the old battery from the holder.



A) Negative (-) side facing up

3. Replace with a new battery (Type CR2025 or equivalent) making sure to install the new battery with the negative (-) side facing up.

4. Reinstall the back half of the transmitter case by snapping it back on.

**After the battery is replaced, the transmitter must be synchronized with the keyless entry system's control unit. Press either the “” or “” button *six times* to synchronize the unit.**

### CAUTION

- Do not let dust, oil or water get on or in the transmitter when replacing the battery.
- Be careful not to damage the printed circuit board in the transmitter when replacing the battery.

### ■ Replacing lost transmitters

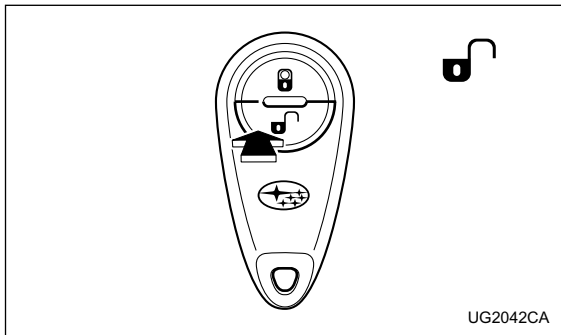
If you lose a transmitter or want to purchase additional transmitters (up to four can be programmed), you should re-program all of your transmitters for security reasons. It is recommended that you have your dealer program all of your transmitters into your system.


### ▼ Programming the transmitters

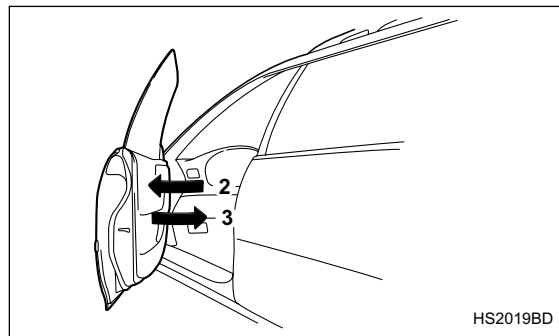
The keyless entry system is equipped with a special code learning feature that allows you to program new transmitter codes into the system or to delete old ones. The system can learn up to four unique transmitter codes. The four transmitter codes may be the same or different.

– CONTINUED –

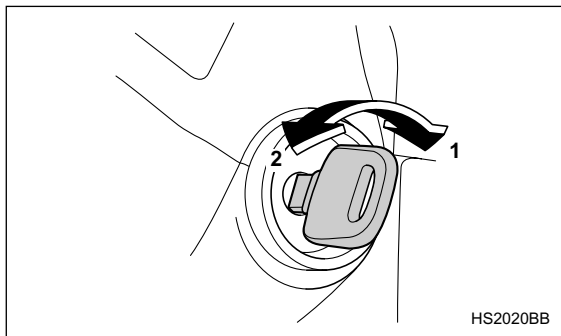
To enter the programming mode:



1. Press “” button to disarm the security system. (If your vehicle is equipped with the optional security system.)



2. Open the driver's door and sit in the driver's seat.
3. Close the driver's door.



HS2020BB

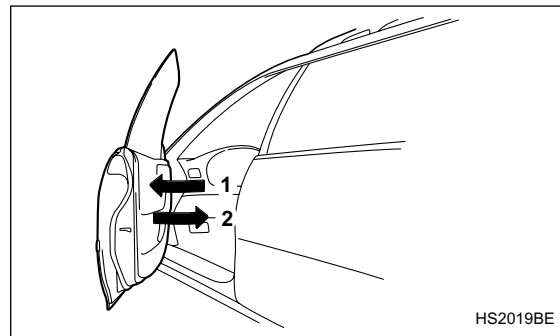
- 1) ON
- 2) LOCK

4. Place the ignition key into the ignition switch and cycle the switch from LOCK to ON ten times **within 15 seconds**. Be sure to stop at the LOCK position. The horn will sound once to indicate that you are in the transmitter programming mode.

### NOTE

You must finish the next step (opening the driver's door) within 45 seconds of starting this procedure.

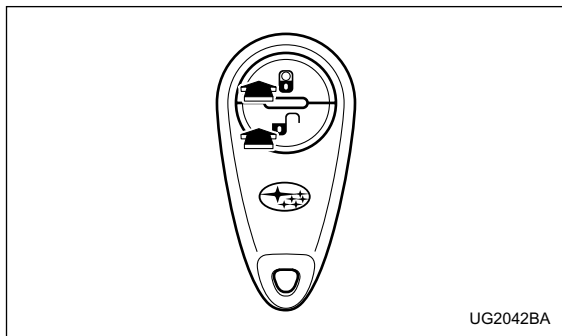
### To program the transmitters:



HS2019BE

1. Open the driver's door.
2. Close the driver's door.

- CONTINUED -



3. Press and release any button on the transmitter that you wish to program into the system. The horn will sound twice to indicate that the transmitter has been programmed.

Any additional transmitters can also be programmed at this time. Repeat steps 1 through 3 for an additional transmitter.

### To exit the programming mode:

1. After all of your transmitters are programmed, remove the key from the ignition switch. The horn will sound three times to indicate that the system has exited the programming mode.
2. Make sure that the keyless entry system properly

operates by operating each transmitter.

### ▼ Deleting old transmitter codes

The control unit of the keyless entry system has four memory locations to store transmitter codes, giving it the ability to operate with up to four transmitters. When you lose a transmitter, the lost transmitter's code remains in the memory. For security reasons, lost transmitter codes should be deleted from the memory.

To delete old transmitter codes, program four transmitter codes into the system. If you have only one current transmitter, program it four times. If you have two current transmitters, program each one twice. If you have three current transmitters, program two of them once and the third one twice. This process will leave only current transmitter codes in the system's memory.

### NOTE

**Make sure no one else is operating their keyless entry system within range of your vehicle when programming transmitters. If someone else were to operate their remote transmitter while you are programming your transmitters, it is possible that their transmitter code will be programmed into your system, allowing them unauthorized access to your vehicle.**

---

## Security system (if equipped)

---

The security system helps to protect your vehicle and valuables from theft. The horn sounds and the turn signal lights flash if someone attempts to break into your vehicle. The starter motor is also interrupted to prevent starting the vehicle without a key.

The system can be armed and disarmed with the remote transmitter.

The system does not operate when the key is inserted into the ignition switch.

### ■ System operation

The security system will give the following alarm indications when triggered:

- The turn signal lights will flash and the horn will sound intermittently. In addition, the starter motor will not operate.
- The alarm automatically resets after 30 seconds; however, the alarm will reactivate if the vehicle is tampered with again. The alarm will continue for six times if any sensor continues to be activated.

The alarm is triggered by:

- Opening a door, the rear gate or trunk lid.
- Application of physical shock to the vehicle (e.g.

forced entry). Note that there are two alarm levels for shock: warning and alarm. In warning mode, the alarm detects lower level vibrations and triggers 2 warning chirps on the horn and two flashes on the lights as a deterrent to would be vandals. In alarm mode, higher levels of shock are detected and the system will go into full alarm.

- Ignition switch being turned on while in armed state.

### NOTE

**With the valet mode selected, the security system does not operate when the remote transmitter is used for locking and unlocking. The security indicator light in the combination meter flashes twice per second to show that the valet mode is selected. For details, refer to “Valet mode” in this section.**

### ■ Arming the system

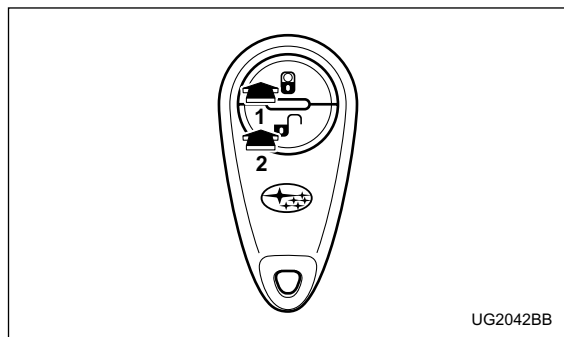
#### ▼ To arm the system using remote transmitter

1. Close all windows.
2. Remove the key from the ignition switch.
3. Open the doors and get out of the vehicle.
4. Make sure that the engine hood (and the trunk lid) are locked.
5. Close all doors (and the rear gate on the Wagon).

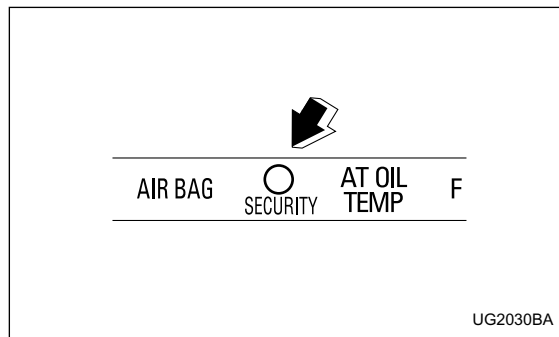
---

– CONTINUED –






- 1) Press to Arm the system.
- 2) Press to Disarm the system.



### Security indicator light

6. Briefly press the “” button (for less than two seconds). All doors (and the rear gate on the Wagon) will lock, an electronic chirp will sound once, the turn signal lights will flash once, and the security indicator light will flash as follows:

All models except WRX-STi: once every approximately two seconds

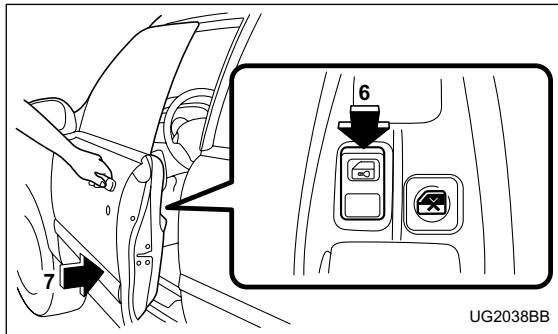
WRX-STi: twice every approximately two seconds

If any of the doors (or the rear gate or the trunk lid) is not fully closed, an electronic chirp sounds five times, the turn signal lights flash five times to alert you that the doors (or the rear gate or the trunk lid) are not

properly closed. When you close the door, the system will automatically arm and doors will automatically lock.

▼ **To arm the system using power door locking switches**

1. Close all windows.
2. Remove the key from the ignition switch.
3. Open the doors and get out of the vehicle.
4. Make sure that the engine hood (and the trunk lid) are locked.
5. Close the doors (and the rear gate on the Wagon) but leave only the driver's door or the front passenger's door open.



6. Push the front side (“LOCK” side) of the power door locking switch to set the door locks.

7. Close the door. An electronic chirp will sound once, the turn signal lights will flash once and the security indicator light will flash as follows:

All models except WRX-STi: once every approximately two seconds

WRX-STi: twice every approximately two seconds

**NOTE**

**The system can be armed even if the engine hood and/or the windows are opened. Always make sure that they are fully closed before arming the system.**

■ **Disarming the system**


Briefly press the “ ” button (for less than two seconds) on the remote transmitter. The driver's door will unlock, an electronic chirp will sound twice, the turn signal lights will flash twice and the security indicator light will go off.

**NOTE (WRX-STi)**

**If your vehicle is equipped with an immobilizer, the immobilizer's function will cause the security indicator light to flash (once every approximately three seconds) even after the system is disarmed.**

– CONTINUED –

Refer to “Immobilizer (WRX-STi)” in this chapter for further details.

To unlock all other doors (and the rear gate on the Wagon), briefly press the “” button a second time.

### ▼ Emergency disarming

If you cannot disarm the system using the transmitter (i.e. the transmitter is lost, broken or the transmitter battery is too weak), you can disarm the system without using the transmitter.


To disarm the system:


1. Unlock the door with the key and then open the door.
2. The alarm will sound.
3. Insert the key into the ignition switch and cycle it from the “LOCK” to the “ON” position three (3) times **within 5 seconds**.

### ■ Valet mode

When you choose the valet mode, the security system does not operate. In valet mode, the remote transmitter is used only for locking and unlocking the doors (and rear gate on the Wagon) and panic activation.

To enter the valet mode, open the driver’s door and

keep the “” button depressed **for more than two seconds**. The security indicator light will continue to flash twice per second indicating that the system is in the valet mode.

To exit valet mode, open the driver’s door and keep the “” button pressed **for more than two seconds**. The indicator will stop flashing.

### NOTE

**If the remote transmitter is used to lock or unlock the doors while the valet mode is selected, the turn signal lights do not flash but an electronic chirp is emitted.**

### ■ Passive arming

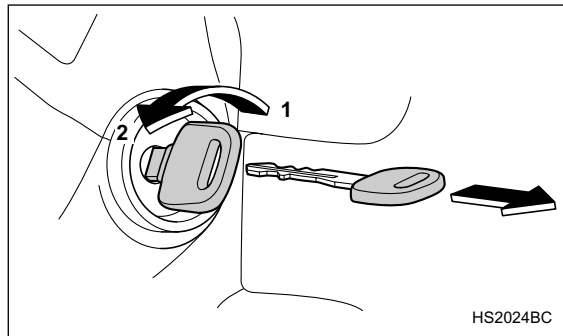
When passive arming mode has been programmed by the dealer, arming of the system is automatically accomplished without using the remote transmitter. Note that in this mode, DOORS MUST BE MANUALLY LOCKED.

### ▼ To enter the passive mode

Since programming the passive arming mode is a complicated procedure, have it done by your nearest SUBARU dealer.

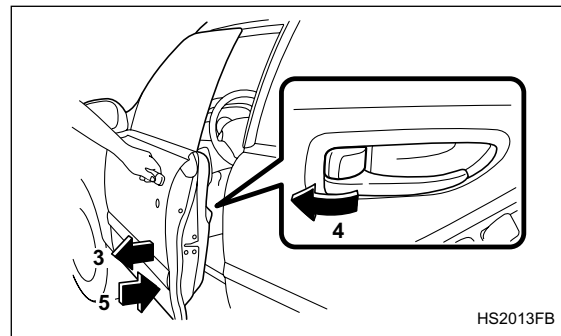
▼ **Arming the system**

1. Turn the ignition switch to the “ON” position.



- 1) ON
- 2) LOCK

2. Turn the ignition switch from “ON” to “LOCK” position and remove the key from the ignition switch.



- 3. Open the doors and get out of the vehicle.
- 4. Before closing the doors, lock all doors with the inside door lock levers.
- 5. Close the doors. The system will automatically arm after one minute.


In the passive mode, the system can also be armed with the remote transmitter or with the power door locking switches. If the remote transmitter or power door lock switch is used to lock the vehicle, arming will take place immediately regardless of whether or not the passive mode has been selected.

– CONTINUED –

**⚠ CAUTION**

In passive mode, the system will automatically activate the alarm but **WILL NOT** automatically lock the doors. In order to lock the doors you must either lock them as indicated in step 4 above or with the key once they have been closed. Failure to lock the doors manually will result in a higher security risk.

▼ **Disarming the system**

To disarm the system, briefly press the “” button on the transmitter.

▼ **Tripped sensor identification (all models except WRX-STi)**

If an electronic chirp sounds four times and the turn signal lights flash four times when you disarm the system, this indicates that the alarm was triggered. The number of times the indicator light flashes indicates what sensor caused the alarm condition.

To enter identification mode:

1. Open the driver's door and leave it open.
2. Turn the ignition switch to the “ON” position twice. (“LOCK” → “ON” → “LOCK” → “ON” → “LOCK”)
3. The indicator light will start flashing.

The indicator light provides the following indications.

**Flashing once:** Any door, the rear gate or the trunk lid has been opened.

**Flashing three times:** The impact sensor in the system's unit has been activated. This may indicate that your vehicle has been shocked or tampered with by some outside force and/or unauthorized person.

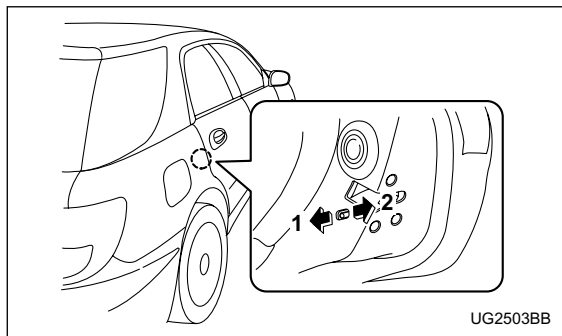
**Flashing four times:** The ignition switch has been turned on or the battery has been disconnected.

**NOTE**

**The battery must be reconnected before the indicator light will flash.**

To exit this mode, close the door and turn the ignition switch to the “ON” position.

## Child safety locks



- 1) Lock
- 2) Unlock

Each rear door has a child safety lock that prevents the doors from being opened even if the inside door handle is pulled.

When the child safety lock lever is in the lock position, the door cannot be opened from inside regardless of the position of the inner door handle lock lever. The door can only be opened from the outside.

### **⚠ WARNING**

**Always use the child safety lock whenever a child rides in the rear seat. Serious injury could result if a child accidentally opened the door and fell out.**

## Windows

### ■ Power windows

#### **⚠ WARNING**

To avoid serious personal injury caused by entrapment, you must do the following.

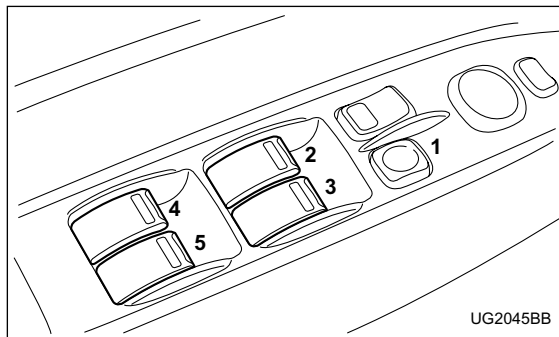
- When operating the power windows, be extremely careful to prevent anyone's fingers, arms, neck or head from being caught in the window.

- Always lock the passengers' windows using the lock switch when children are riding in the vehicle.

- Before leaving the vehicle, always remove the key from the ignition switch for safety and never allow an unattended child to remain in the vehicle. Failure to follow this procedure could result in injury to a child operating the power window.

The power windows operate only when the ignition switch is in the "ON" position.

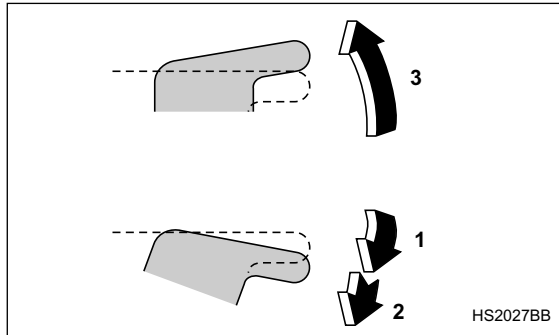
### ▼ Driver's side switches



- 1) Lock switch
- 2) For driver's window (with one-touch auto down feature)
- 3) For front passenger's window
- 4) For rear left window
- 5) For rear right window

All door windows can be controlled by the power window switch cluster at the driver side door.

▽ Operating the driver's window



- 1) Open
- 2) Automatically open
- 3) Close

To open:

Push the switch down lightly and hold it. The window will open as long as the switch is held.

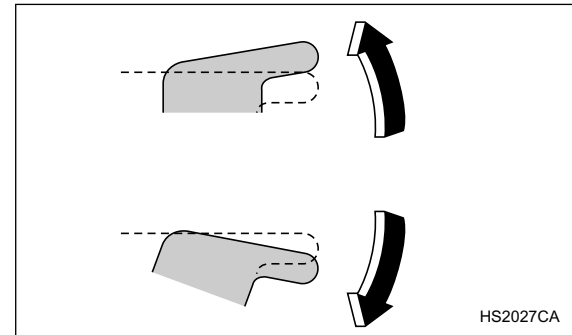
This switch also has a one-touch auto down feature that allows the window to be opened fully without holding the switch.

Push the switch down until it clicks and release it, and the window will fully open. To stop the window halfway, pull the switch up lightly.

To close:

Pull the switch up lightly and hold it. The window will close as long as the switch is held.

▽ Operating the passengers' windows



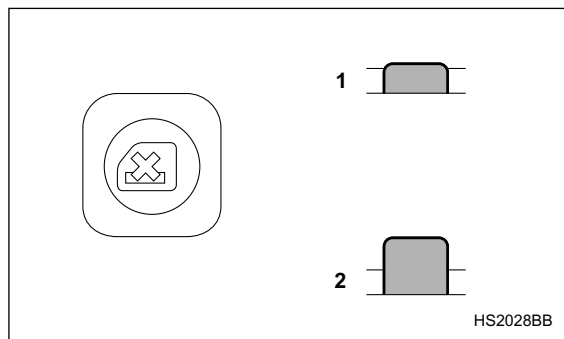
To open the passengers' windows, push the appropriate switch down and hold it until the window reaches the desired position.

To close the window, pull the switch up and hold it until it reaches the desired position.

– CONTINUED –



### ▽ Locking the passengers' windows



- 1) Lock
- 2) Unlock

To lock the passengers' windows, push the lock switch. When the lock switch is in the "LOCK" position, the passengers' windows cannot be opened or closed.

### ▼ Passengers' side switches

To open the window, push the switch down and hold it until the window reaches the desired position.

To close the window, pull the switch up and hold it until the window reaches the desired position.

When the lock switch on the power window switch

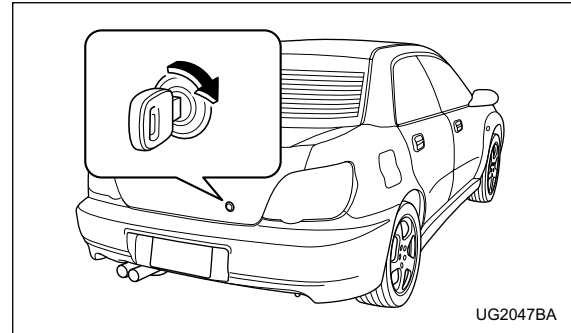
cluster, located on the driver's side door, is in the "LOCK" position, the passengers' windows cannot be operated with the passengers' switches.

## Trunk lid (Sedan)

### **⚠ WARNING**

- To prevent dangerous exhaust gas from entering the vehicle, always keep the trunk lid closed while driving.
  - Help prevent young children from locking themselves in the trunk. When leaving the vehicle, either close all windows and lock all doors or cancel the inside trunk lid release. Also make certain that the trunk is closed.
- On hot or sunny days, the temperature in the trunk could quickly become high enough to cause death or serious heat-related injuries including brain damage, particularly for small children.

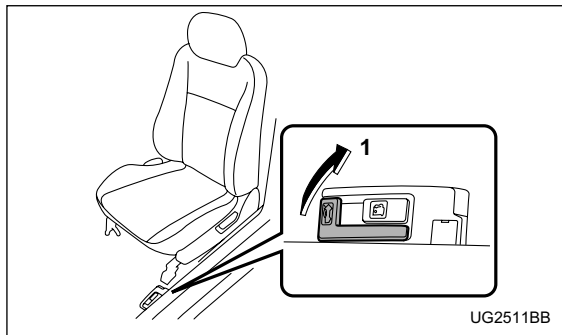
### ■ To open and close the trunk lid from outside



To open the trunk lid from outside, insert the key and turn it clockwise.  
To close the trunk lid, lightly press the trunk lid down until the latch engages.

– CONTINUED –

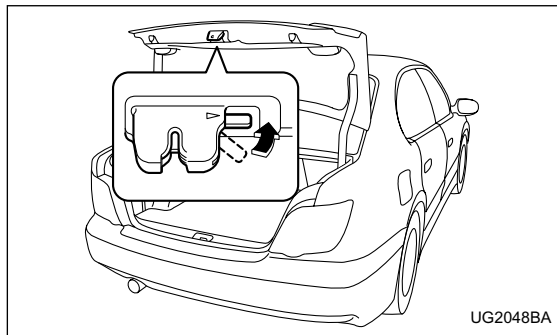
## ■ To open the trunk lid from inside



1) Open

Pull the trunk lid release lever upward.

## ■ To cancel the trunk lid release

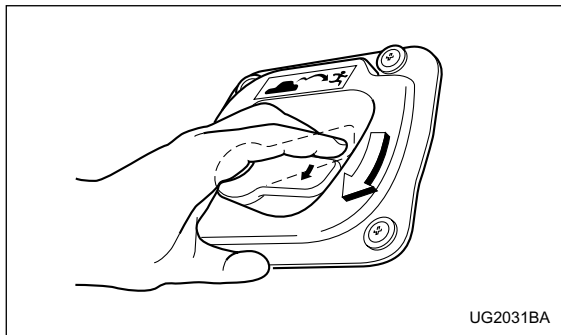


The inside trunk lid release can be cancelled to help prevent unauthorized entry into the trunk. To cancel the trunk lid release, set the lid release cancel lever (located on the inside of the trunk lid, mounted to the trunk lid latch) to the "CANCEL" position. When this lock is in the "CANCEL" position, the trunk can be opened only with the key.

## ■ Internal trunk lid release handle

The internal trunk lid release handle is a device designed to open the trunk lid from inside the trunk. In the event children or adults become locked inside the

trunk, the handle allows them to open the lid. The handle is located on the inside of the trunk lid.



To open the trunk lid from inside the trunk, press the yellow handle downward as indicated by the arrow on the handle.

This operation unlocks the trunk lid. Then, push up the lid.

The handle is made of material that remains luminescent for approximately an hour in the dark trunk space after it is exposed to ambient light even for a short time.

### **⚠ WARNING**

Never allow any child to get in the trunk and play with the release handle. If the driver starts the vehicle without knowing that a child is inside the trunk and the child opens the lid using the release handle, the child could fall out and be killed or seriously injured.

### **⚠ CAUTION**

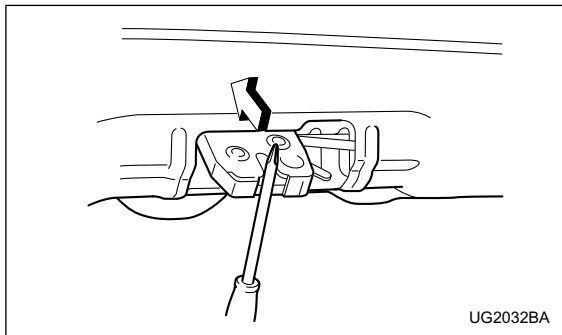
- Do not close the lid while gripping the release handle. The handle may be damaged.
- Do not use the handle as a hook to fasten straps or ropes to secure your cargo in the trunk. Such use may result in damage of the handle.
- Load the trunk so that cargo can not strike the release handle. If the cargo hits the handle while the vehicle is being driven, the handle may be pushed down and the trunk lid may open. That may cause cargo to fall out of the trunk, which could create a traffic safety hazard.

– CONTINUED –

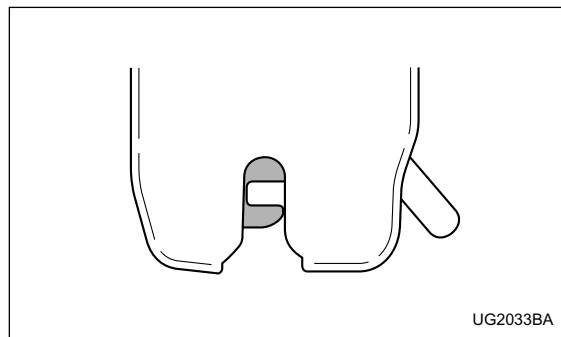
▼ Inspection

Perform the following steps at least twice a year to check the release handle for correct operation.

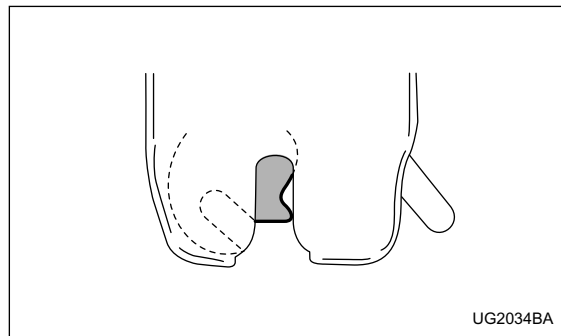
1. Open the trunk lid.



2. Use a screwdriver with a thin blade. Slide the screwdriver blade from the slit aperture of the lock assembly fully to the end until you hear a click.



This places the latch in the locked position.



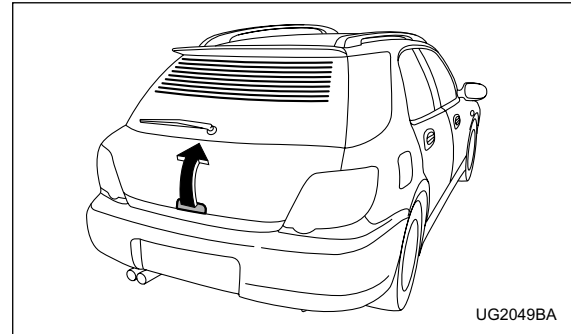
3. Move the release handle, from outside the vehicle, in the direction of the arrow to check if the latch is released.

If the latch is not released, contact your SUBARU dealer.

In that case, use the key to release the latch, then close the trunk lid.

Also, if the movements of the release handle feel restricted or not entirely smooth during operation, or the handle and/or handle base is cracked, contact your SUBARU dealer.

## Rear gate (Wagon)



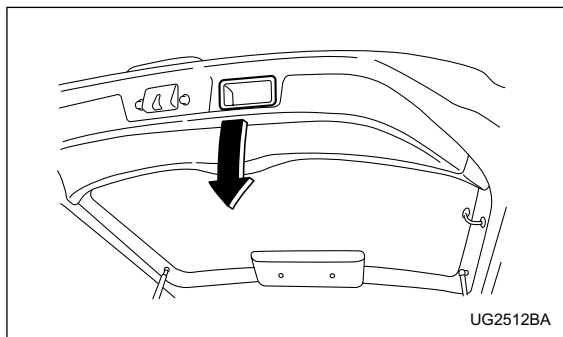
The rear gate can be locked and unlocked using either the keyless entry system or the power door locking switches.

Refer to the “Power door locking switches” and “Remote keyless entry system” sections in this chapter.

To open the rear gate, first unlock the rear gate lock then pull the outside handle up.

Then, hold the rear gate and raise it as high as it will go.

– CONTINUED –



To close the rear gate, lower it slowly and push down firmly until the latch engages.

The rear gate can be lowered easily if you pull down on the recessed grip.

**⚠ WARNING**

- To prevent dangerous exhaust gas from entering the vehicle, always keep the rear gate closed while driving.
- Do not attempt to shut the rear gate while holding the recessed grip. Also avoid closing the rear gate by pulling on the recessed grip from inside the cargo space. There is a danger

of your hand being caught and injured.

**⚠ CAUTION**

Do not jam a plastic bag in or place cellophane tape on the rear gate stays or scratch the stays while loading or unloading cargo. That could cause leakage of gas from the stays, which may result in their inability to hold the rear gate open.

**NOTE**

If the rear gate cannot be unlocked due to a discharged battery, a fault in the door locking/unlocking system or other causes, you can unlock it by manually operating the rear gate lock release lever.

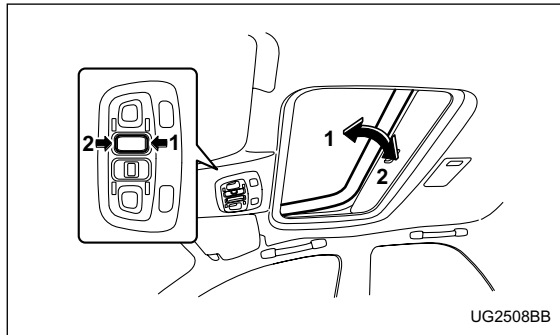
For the procedure, refer to “Rear gate – if the rear gate cannot be unlocked” in chapter 9 “In case of emergency”.

## Moonroof (if equipped)

The moonroof has both tilting and sliding functions.

The moonroof operates only when the ignition switch is in the “ON” position.

### ■ Tilt function



- 1) Tilt up
- 2) Lower

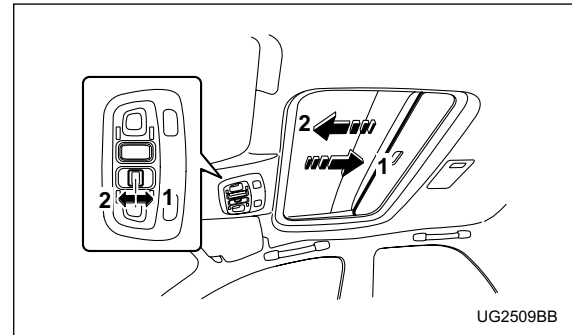
The tilting function will only operate when the moonroof is fully closed.

Push the rear side of the “Tilt” switch to raise the moonroof.

Push the front side of the “Tilt” switch to lower the moonroof.

Release the switch after the moonroof has been raised or has been lowered completely. Pushing the switch continuously may cause damage to the moonroof.

### ■ Sliding function



- 1) Open
- 2) Close

– CONTINUED –



Push the “Open/Close” switch rearward to open the moonroof. The sun shade will be also opened together with the moonroof.

Push the “Open/Close” switch forward to close the moonroof. The moonroof will stop halfway if you continue to press on the switch. Release the switch once and push it again to close the moonroof completely.

After washing the vehicle or after it rains, wipe away water on the roof prior to opening the moonroof to prevent water drops from falling into the passenger compartment.

### NOTE

If the moonroof cannot be closed through switch operation because of system failure, it can be closed manually using a hex-head wrench. For the procedure, refer to “Moonroof – if the moonroof cannot be closed” in Chapter 9 “In case of emergency”.

### WARNING

- Never let anyone’s hands, arms, head or any objects protrude from the moonroof. A person could be seriously injured if the vehicle stops suddenly or turns sharply or if the vehicle is involved in an accident.

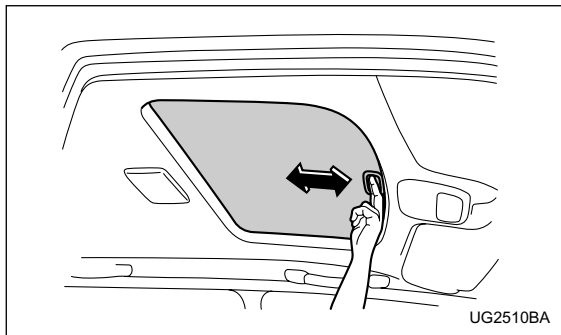
To avoid serious personal injury caused by entrapment, you must do the following:

- Before closing the moonroof, make sure that no one’s hands, arms, head or other objects will be accidentally caught in the moonroof.
- Before leaving the vehicle, always remove the key from the ignition switch for safety and never allow an unattended child to remain in the vehicle. Failure to follow this procedure could result in injury to a child operating the moonroof.

### CAUTION

- Do not sit on the edge of the open moonroof.
- Do not operate the moonroof if falling snow or extremely cold conditions have caused it to freeze shut.

## ■ Sun shades



The sun shade can be slid forward or backward by hand while the moonroof is closed.  
If the moonroof is opened, the sun shade also moves back.

---

---

---

---

---

---

---

---

---

---

---

---

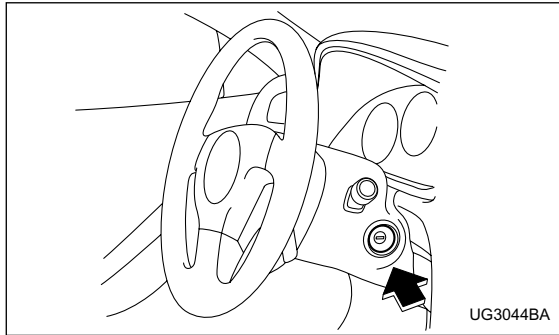
---

# Instruments and controls

Ignition switch .....	3-3	Seatbelt warning light and chime .....	3-20
LOCK .....	3-3	SRS airbag system warning light .....	3-20
ACC .....	3-4	CHECK ENGINE warning light/ Malfunction indicator lamp .....	3-21
ON .....	3-4	Charge warning light .....	3-22
START .....	3-4	Oil pressure warning light .....	3-22
Key reminder chime .....	3-5	AT OIL TEMPerature warning light (for AT vehicles) .....	3-22
Ignition switch light .....	3-5	Rear differential oil temperature warning light (WRX-STi) .....	3-23
Key interlock release (AT vehicles only) .....	3-6	ABS warning light .....	3-23
Hazard warning flasher .....	3-7	Brake system warning light .....	3-24
Meters and gauges (WRX-STi) .....	3-7	Door open warning light .....	3-26
Combination meter illumination .....	3-7	All-wheel drive warning light (for AWD AT vehicles – if equipped) .....	3-26
Cancelling sequential illumination of the combination meter .....	3-7	Intercooler water spray warning light (WRX-STi) .....	3-26
Speedometer .....	3-8	Selector lever position indicator (AT vehicles) .....	3-27
Odometer/Trip meter .....	3-8	Turn signal indicator lights .....	3-27
Tachometer .....	3-9	High beam indicator light .....	3-27
Fuel gauge .....	3-10	Cruise control indicator light .....	3-27
Temperature gauge .....	3-11	Cruise control set indicator light .....	3-27
Outside temperature indicator .....	3-12	Driver's control center differential auto indicator light (WRX-STi) .....	3-28
REV indicator light and buzzer (WRX-STi) .....	3-13	Driver's control center differential indicator lights (WRX-STi) .....	3-28
Setting the alarm-level engine speed .....	3-13	Headlight indicator light (WRX-STi) .....	3-28
Deactivating the REV alarm system .....	3-15	REV indicator light (WRX-STi) .....	3-28
Meters and gauges (Except WRX-STi) .....	3-15	Clock .....	3-29
Speedometer .....	3-15	Light control switch .....	3-30
Odometer/Trip meter .....	3-15	Headlights .....	3-30
Tachometer .....	3-16		
Fuel gauge .....	3-17		
Temperature gauge .....	3-18		
Outside temperature indicator (if equipped) ..	3-19		
Warning and indicator lights .....	3-20		

High/low beam change (dimmer) .....	3-31
Headlight flasher .....	3-31
Daytime running light system (except U.S.-spec. WRX-STi) .....	3-32
Turn signal lever .....	3-32
Illumination brightness control .....	3-33
Illumination brightness control (WRX-STi) .....	3-34
Headlight beam leveler (U.S.-spec. WRX-STi) .....	3-34
Parking light switch .....	3-35
Fog light button (if equipped) .....	3-36
Wiper and washer .....	3-36
Windshield wiper and washer switches .....	3-38
Rear window wiper and washer switch – Wagon .....	3-40
Rear window defogger button .....	3-41
Windshield wiper deicer (if equipped) .....	3-43
Intercooler water spray switch (WRX-STi) .....	3-44
Mirrors .....	3-45
Inside mirror .....	3-45
Outside mirrors .....	3-48
Tilt steering wheel .....	3-50
Horn .....	3-51

## Ignition switch



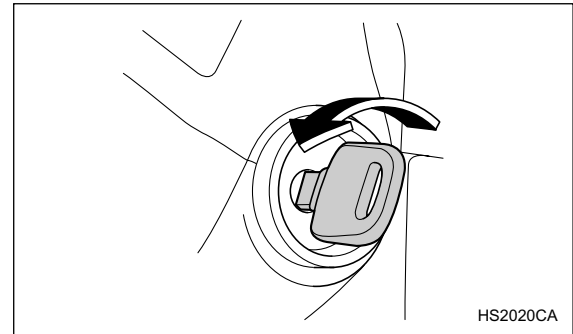
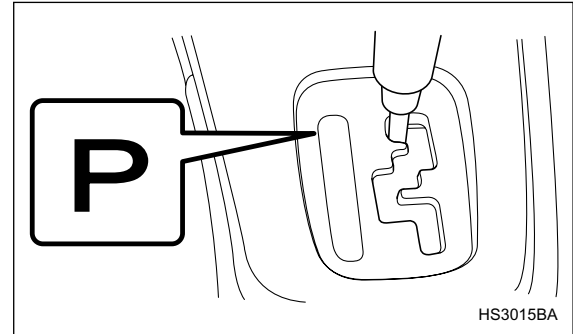
The ignition switch has four positions: LOCK, ACC, ON and START.

### ■ LOCK

The key can only be inserted or removed in this position. The ignition switch will lock the steering wheel when you remove the key.

If turning the key is difficult, turn the steering wheel slightly to the right and left as you turn the key.

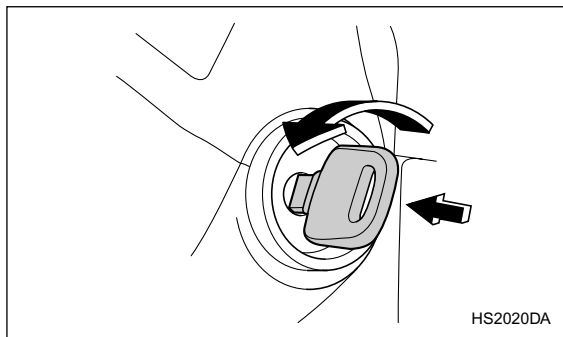
### ▼ Automatic transmission vehicles



– CONTINUED –

The key can be turned from “ACC” to “LOCK” only when the selector lever is in the “P” position.

▼ **Manual transmission vehicles**



The key can be turned from “ACC” to “LOCK” only when the key is pushed in while turning it.

**▲ WARNING**

• **Never turn the ignition switch to “LOCK” while the vehicle is being driven or towed because that will lock the steering wheel, preventing steering control. And when the engine is turned off, it takes a much greater effort than**

**usual to steer.**

• **Before leaving the vehicle, always remove the key from the ignition switch for safety and never allow an unattended child to remain in the vehicle. Failure to follow this procedure could result in injury to a child or others. They could operate the power windows, the sunroof or other controls or even make the vehicle move.**

---

■ **ACC**

In this position the electrical accessories (radio, cigarette lighter, etc.) can be used.

■ **ON**

This is the normal operating position after the engine is started.

■ **START**

The engine is started in this position. The starter cranks the engine to start it. When the key is released (after the engine has started), the key automatically returns to the “ON” position.

**⚠ CAUTION**

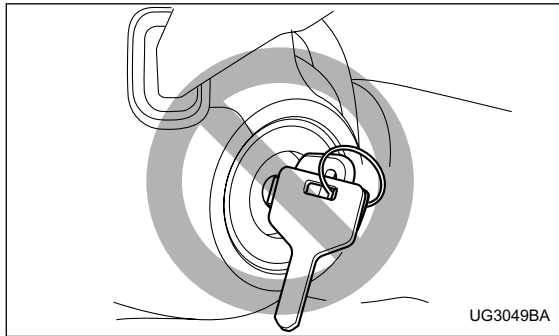
Do not turn the ignition switch to the “START” position while the engine is running.

**▼ For vehicle with immobilizer**

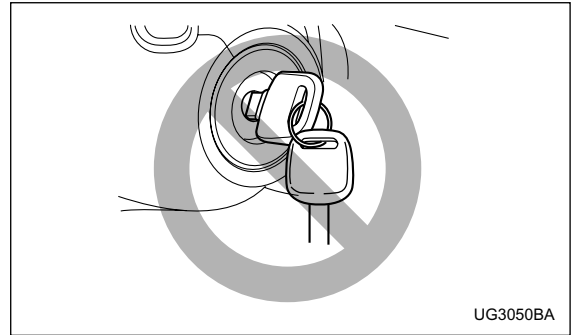
If you fail to start your engine with your registered key, once pull out the key (at this time, the security indicator light blinks), and then insert the key in the ignition switch and turn it to the “START” position to start your engine again.

**NOTE**

The engine may not start in the following cases:



- The key grip is touching another key or a metallic key holder.



- The key is near another key that contains an immobilizer transponder.

**■ Key reminder chime**

The reminder chime sounds when the driver's door opens and the key is in the “LOCK” or “ACC” positions. The chime stops when the key is removed from the ignition switch.

**■ Ignition switch light**

For easy access to the ignition switch in the dark, the

– CONTINUED –

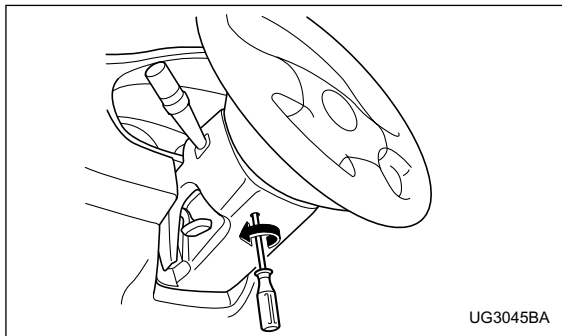


ignition switch light comes on when driver's door is opened. The light remains on for 10 seconds and goes out after driver's door is closed or if the key is turned to the "ON" position.

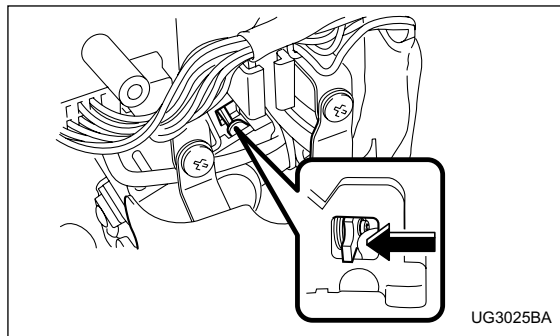
### ■ Key interlock release (AT vehicles only)

If the key can not be turned to the "LOCK" position even when the selector lever is in the "P" position:

1. Take out the screwdriver from the tool bag.



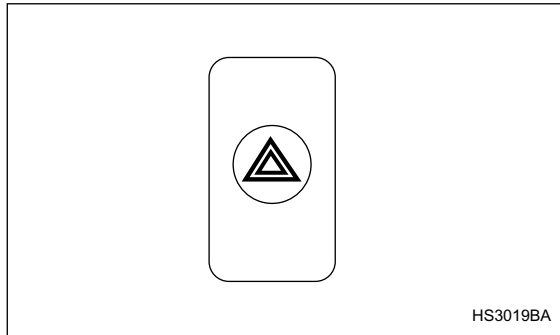
2. Remove the cover under the steering column using a Phillips screwdriver.



3. Turn the ignition key while pressing the key interlock release lever.

Take your vehicle to the nearest SUBARU dealer immediately to have the key interlock system repaired.

## Hazard warning flasher



The hazard warning flasher is used to warn other drivers when you have to park your vehicle under emergency conditions. The hazard warning flasher works with the ignition switch in any position.

To turn on the hazard warning flasher, push the hazard warning button on the instrument panel. To turn off the flasher, push the button again.

### NOTE

**When the hazard warning flasher is on, the turn signals do not work.**

## Meters and gauges (WRX-STi)

### ■ Combination meter illumination

When the ignition switch is turned to the “ON” position, the various parts of the combination meter are illuminated in the following sequence:

1. Meter needles and gauge needles light up.
2. Meter needles and gauge needles each show MAX position.
3. Meter needles and gauge needles each show MIN position, and REV indicator flashes.
4. Dials and indicators in meters and gauges light up.
5. “STi” mark lights up.
6. Regular illumination (for driving) begins.

### ■ Cancelling sequential illumination of the combination meter

With the ignition switch in the “ON” position, it is possible to cancel sequential illumination of the combination meter.

Press the trip knob while turning the REV setting knob clockwise or counterclockwise. The buzzer will sound briefly, and the outside temperature indicator will show “ON” or “—”.

ON : sequential illumination

– CONTINUED –

-- : sequential illumination cancelled

The setting toggles between “ON” and “--” each time the trip knob is pressed.

Return the REV setting knob to its original position to complete the setting process. The buzzer will sound briefly. A few seconds later, the outside temperature indicator will return to showing the outside temperature.

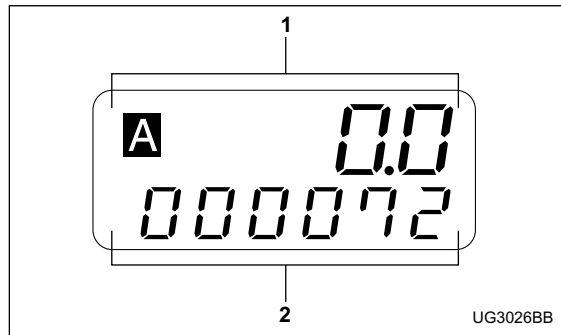
### **NOTE**

**It is not possible to cancel sequential illumination of the combination meter while sequential illumination is actually taking place. Cancel sequential illumination when regular illumination (for driving) has begun.**

## **■ Speedometer**

The speedometer shows the vehicle speed.

## **■ Odometer/Trip meter**



- 1) Trip meter
- 2) Odometer

This meter displays the odometer and two trip meters when the ignition switch is in the “LOCK”, “ACC” or “ON” position.

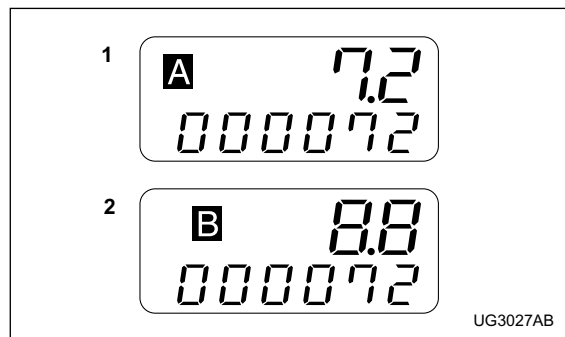
If you press the trip knob when the ignition switch is in the “LOCK” position, the odometer/trip meter will light up. It is possible to switch between the A trip meter and B trip meter indications while the odometer/trip meter is lit up. If you do not press the trip knob within 10 seconds of illumination of the odometer/trip meter, the

odometer/trip meter will go off.

### ▼ Odometer

The odometer shows the total distance that the vehicle has been driven.

### ▼ Double trip meter



The trip meter shows the distance that the vehicle has been driven since you last set it to zero.

To change the mode indication, briefly push the knob. Each press of the knob changes the function alternately.

A trip meter ← → B trip meter

To set the trip meter to zero, select the A trip or B trip meter by pushing the knob and keep the knob pushed for more than 2 seconds.

### ⚠ CAUTION

To ensure safety, do not attempt to change the function of the indicator during driving, as an accident could result.

### NOTE

If the connection between the combination meter and battery is broken for any reason such as vehicle maintenance or fuse replacement, the data recorded on the trip meter will be lost.

### ■ Tachometer

The tachometer shows the engine speed in thousands of revolutions per minute.

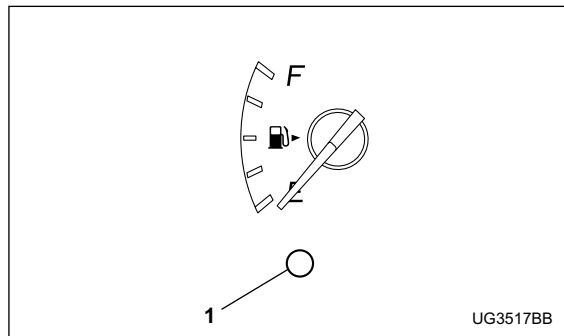
### ⚠ CAUTION

Do not operate the engine with the pointer of the tachometer in the red zone. In this range,

– CONTINUED –

fuel injection will be cut by the engine control module to protect the engine from overrevving. The engine will resume running normally after the engine speed is reduced below the red zone.

## ■ Fuel gauge



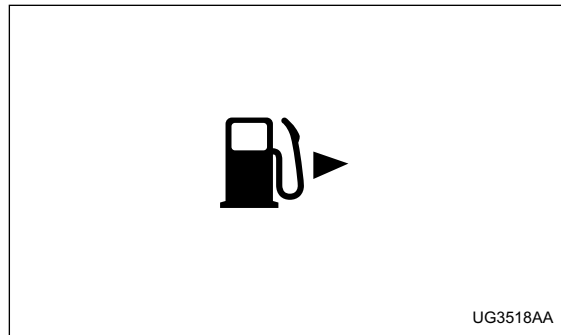
1) Low fuel warning light


The fuel gauge shows the approximate amount of fuel remaining in the tank. When the ignition switch is in the “LOCK” or “ACC” position, the fuel gauge shows “E” even if the fuel tank

contains fuel.

The gauge may move slightly during braking, turning or acceleration due to fuel level movement in the tank.

## NOTE



You will see the “” sign in the fuel gauge meter.

This indicates that the fuel filler door (lid) is located on the right side of the vehicle.

### ▼ Low fuel warning light

The low fuel warning light comes on when the tank is nearly empty [About 2.3 US gal (9.0 liters, 1.9 Imp gal)].

It only operates when the ignition switch is in the “ON” position.

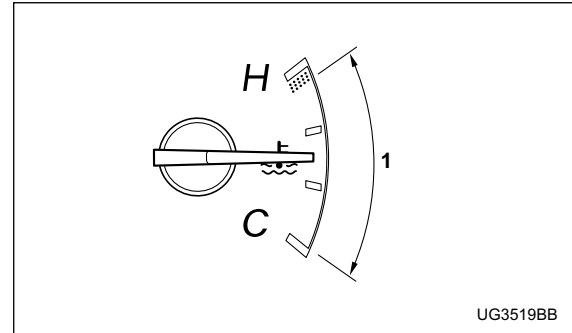
### NOTE

This light does not go out unless the tank is replenished up to an internal fuel quantity of about 4.0 US gal (15 liters, 3.3 Imp gal).

### CAUTION

Promptly put fuel in the tank whenever the low fuel warning light comes on. If the engine misfired as a result of an empty tank, resulting catalytic converter damage could cause damage to the turbocharger.

## ■ Temperature gauge



### 1) Normal operating range

The temperature gauge shows engine coolant temperature when the ignition switch is in the “ON” position.

The coolant temperature will vary in accordance with the outside temperature and driving conditions.

We recommend that you drive moderately until the pointer of the temperature gauge reaches near the middle of the range. Engine operation is optimum with the engine coolant at this temperature range and high revving operation when the engine is not warmed up enough should be avoided.

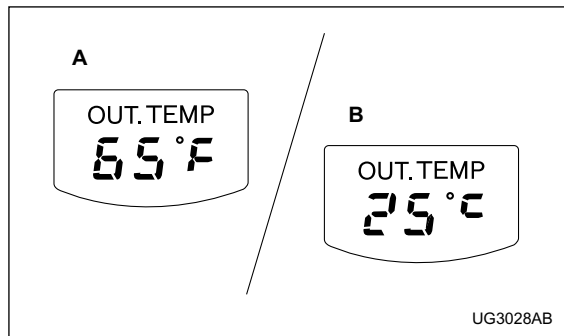
– CONTINUED –

**▲ CAUTION**

If the pointer exceeds the normal operating range, safely stop the vehicle as soon as possible.

See the “In case of emergency” in chapter 9.

**■ Outside temperature indicator**



A) U.S.-spec. models

B) Canada-spec. models

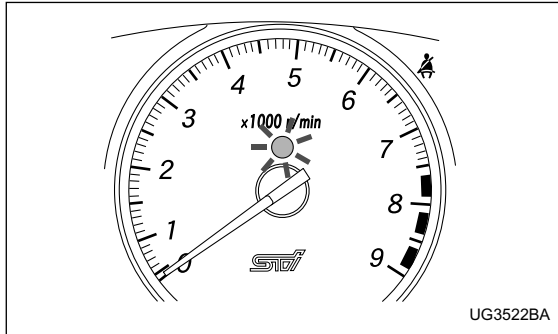
The outside temperature indicator shows the outside temperature in a range from -22 to 122°F (-30 to

50°C).

The indicator can give a false reading under any of the following conditions:

- When there is too much sun.
- During idling; while running at low speeds in a traffic jam; when the engine is restarted immediately following a shutdown.
- When the actual outside temperature falls outside the specified indicator range.

## REV indicator light and buzzer (WRX-STi)



The REV alarm system issues a warning using the REV indicator light (and a buzzer if additionally selected) when the engine speed reaches a level previously set using the REV setting knob.

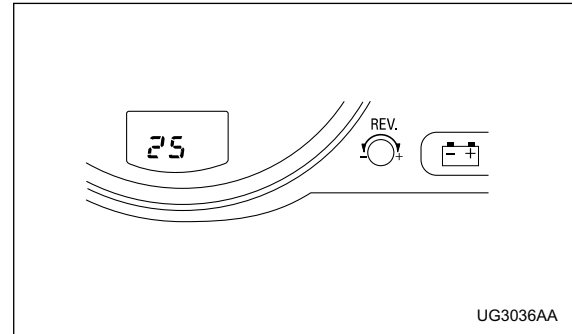
If you press the trip knob when the ignition switch is in the "LOCK" position, the outside temperature indicator will show the engine speed that has already been set.

### NOTE

**Even if the REV alarm system is not set, the REV indicator light will come on whenever the engine**

speed enters the tachometer's red zone.

## ■ Setting the alarm-level engine speed



1. Turn the REV setting knob clockwise or counterclockwise, then release it and let it return to its initial position. The buzzer will sound. The REV alarm system is now ready to be set.
2. Turn the REV setting knob to select the desired alarm-level engine speed.

At this time, the outside temperature indicator will show the engine-speed setting.

- Counterclockwise (–) for less than 0.5 second: Speed setting changes downward by 100 rpm.

– CONTINUED –



- Clockwise (+) for less than 0.5 second: Speed setting changes upward by 100 rpm.
  - Counterclockwise (–) for 0.5 second or longer: Speed setting changes downward by 1,000 rpm.
  - Clockwise (+) for 0.5 second or longer: Speed setting changes upward by 1,000 rpm.
- The speed setting will stop changing if it reaches 0 rpm or the maximum engine speed.

### <Selectable engine speed range>

The alarm-level engine speed can be set (in 100 rpm steps) within a range from 2,000 to 7,500 rpm.

The indicator shows the setting as follows:

Speed (rpm)	0	2,000	2,100	~	7,400	7,500
Indication	00	20	21	~	74	75

Approximately three seconds after you stop turning the knob, the REV alarm system will automatically enter its next setting mode (step 3 below), in which you can activate or deactivate the buzzer.

3. Activate or deactivate the buzzer as desired using the REV setting knob.

- Turn the knob clockwise (+) to activate the buzzer. The indicator will show “ON”, and the buzzer will sound three times. With the buzzer activated, en-

gine-speed warnings are given by both the REV indicator light and the buzzer.

- Turn the knob counterclockwise (–) to deactivate the buzzer. The indicator will show “– –”, and the buzzer will not sound. With the buzzer deactivated, engine-speed warnings are given only by the REV indicator light.

Approximately three seconds after you stop turning the knob, the buzzer will sound once to indicate the end of the setting procedure. The indicator will return to showing the outside temperature.

Also, the tachometer needle will return to approximately “0”.

### NOTE

- **The REV alarm system does not operate while settings are being entered.**
- **The speed-setting mode terminates if 0 rpm is selected.**
- **The speed-setting mode is canceled if the ignition switch is turned to OFF or the vehicle starts moving before the setting procedure is finished.**
- **Speed setting is impossible when the vehicle is moving.**
- **The set engine speed may differ from the engine speed shown by the tachometer. Use the engine speed shown by the tachometer as a rough guide.**

### ■ Deactivating the REV alarm system

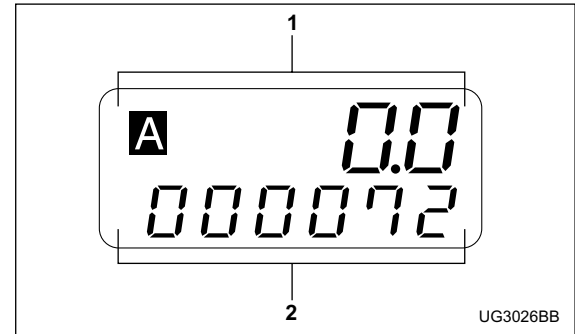
To deactivate the REV alarm system's REV indicator light and buzzer functions, set the alarm-level engine speed to 0 (zero) rpm.

## Meters and gauges (Except WRX-STi)

### ■ Speedometer

The speedometer shows the vehicle speed.

### ■ Odometer/Trip meter



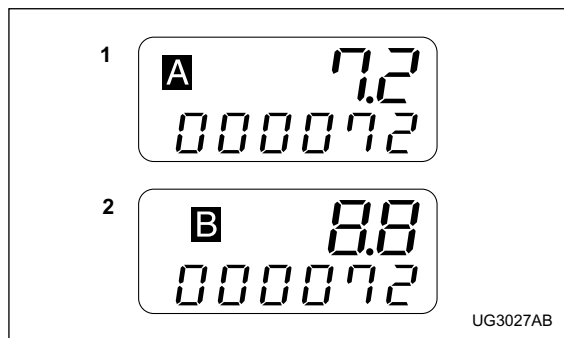
- 1) Trip meter
- 2) Odometer

This meter displays the odometer and two trip meters when the ignition switch is in the "LOCK", "ACC" or "ON" position.

### ▼ Odometer

The odometer shows the total distance that the vehicle has been driven.

### ▼ Double trip meter



- 1) A trip meter
- 2) B trip meter

The trip meter shows the distance that the vehicle has been driven since you last set it to zero.

To change the mode indication, briefly push the knob. Each press of the knob changes the function alternately.

A trip meter ←→ B trip meter

To set the trip meter to zero, select the A trip or B trip meter by pushing the knob and keep the knob pushed for more than 2 seconds.

### ▲ CAUTION

To ensure safety, do not attempt to change the function of the indicator during driving, as an accident could result.

### NOTE

If the connection between the combination meter and battery is broken for any reason such as vehicle maintenance or fuse replacement, the data recorded on the trip meter will be lost.

### ■ Tachometer

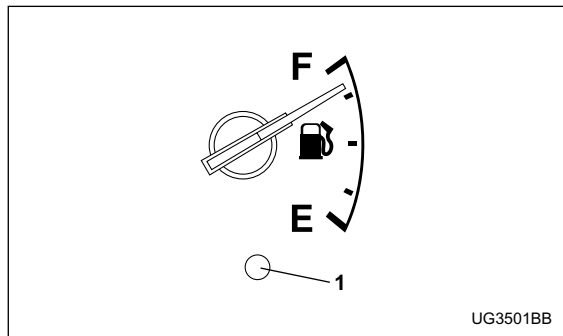
The tachometer shows the engine speed in thousands of revolutions per minute.

### ▲ CAUTION

Do not operate the engine with the pointer of the tachometer in the red zone. In this range,

fuel injection will be cut by the engine control module to protect the engine from overrevving. The engine will resume running normally after the engine speed is reduced below the red zone.

## ■ Fuel gauge

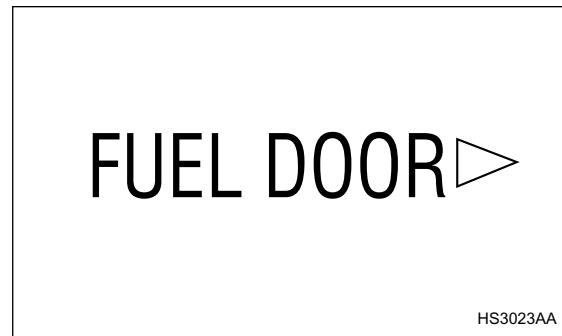


- 1) Low fuel warning light

The fuel gauge shows the approximate amount of fuel remaining in the tank. The gauge does not return to “E” even though the ignition switch is in the “ACC” or “LOCK” position.

The gauge may move slightly during braking, turning or acceleration due to fuel level movement in the tank.

## NOTE



You will see the “FUEL DOOR ▷” sign near the fuel gauge. This indicates that the fuel filler door (lid) is located on the right side of the vehicle.

## ▼ Low fuel warning light

The low fuel warning light comes on when the tank is nearly empty [about 2.3 US gal (9.0 liters, 1.9 Imp gal)]. It only operates when the ignition switch is in the “ON” position.

– CONTINUED –

## NOTE

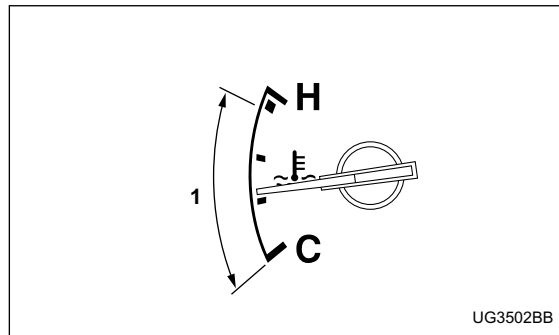
This light does not go out unless the tank is replenished up to an internal fuel quantity of about 4.0 US gal (15 liters, 3.3 Imp gal).

### CAUTION

(Turbo model only)

Promptly put fuel in the tank whenever the low fuel warning light comes on. If the engine misfired as a result of an empty tank, resulting catalytic converter damage could cause damage to the turbocharger.

## ■ Temperature gauge



1) Normal operating range

The temperature gauge shows engine coolant temperature when the ignition switch is in the "ON" position.

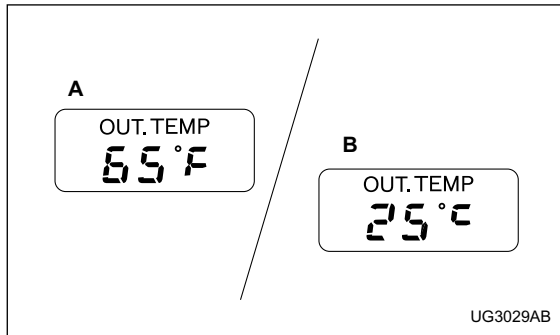
The coolant temperature will vary in accordance with the outside temperature and driving conditions.

We recommend that you drive moderately until the pointer of the temperature gauge reaches near the middle of the range. Engine operation is optimum with the engine coolant at this temperature range and high revving operation when the engine is not warmed up enough should be avoided.

**⚠ CAUTION**

If the pointer exceeds the normal operating range, safely stop the vehicle as soon as possible.

See “In case of emergency” in chapter 9.

**■ Outside temperature indicator (if equipped)**

- A) U.S.-spec. models  
B) Canada-spec. models

The outside temperature indicator shows the outside temperature in a range from  $-22$  to  $122^{\circ}\text{F}$  ( $-30$  to  $50^{\circ}\text{C}$ ).

The indicator can give a false reading under any of the following conditions:

- When there is too much sun.
- During idling; while running at low speeds in a traffic jam; when the engine is restarted immediately following a shutdown.
- When the actual outside temperature falls outside the specified indicator range.

## Warning and indicator lights

---

Several of the warning and indicator lights come on momentarily and then go out when the ignition switch is initially turned to the “ON” position. This permits checking the operation of the bulbs.

Apply the parking brake and turn the ignition switch to the “ON” position. The following lights come on:

- Seatbelt warning light
- SRS airbag system warning light
- CHECK ENGINE warning light/Malfunction indicator lamp
- Charge warning light
- Oil pressure warning light
- AT OIL temperature warning light (AT vehicles)
- ABS warning light
- Brake system warning light
- All-wheel drive warning light (AT vehicles)
- Cruise control indicator light (if equipped)
- Cruise control set indicator light (if equipped)

If any lights fail to come on, it indicates a burned-out bulb or a malfunction of the corresponding system. Consult your authorized SUBARU dealer for repair.

### ■ Seatbelt warning light and chime

When the ignition switch is turned to the “ON” position, the seatbelt warning light will come on and the reminder chime will sound for about six seconds to remind the driver to fasten the seatbelt.

The seatbelt warning light will turn off when the driver’s side seatbelt is buckled.

The seatbelt reminder chime will turn off when the driver’s side seatbelt is buckled or it will turn off automatically after six seconds.

### ■ SRS airbag system warning light AIR BAG

When the ignition switch is turned to the “ON” position, the SRS airbag system warning light will come on for about six seconds and go out. This shows the SRS airbag and SRS side airbag (if equipped) and seatbelt pretensioners are in normal operation.

 **WARNING**

**If the warning light exhibits any of the following conditions, there may be a malfunction in the seatbelt pretensioners and/or SRS airbag system. Immediately take your vehicle to your nearest SUBARU dealer to have the system**

checked. Unless checked and properly repaired, the seatbelt pretensioners and/or SRS airbag will not operate properly in the event of a collision, which may increase the risk of injury.

- Flashing or flicking of the indicator light
- No illumination of the warning light when the ignition switch is first turned to the “ON” position
- Continuous illumination of the warning light
- Illumination of the warning light while driving

## ■ CHECK ENGINE warning light/ Malfunction indicator lamp

CHECK  
ENGINE

### CAUTION

If the CHECK ENGINE light comes on while you are driving, have your vehicle checked/repared by your SUBARU dealer as soon as possible. Continued vehicle operation without having the emission control system checked and repaired as necessary could cause serious damage, which may not be covered by your vehicle's warranty.

If this light comes on steadily or blinks while the engine is running, it may indicate that there is a problem or potential problem somewhere in the emission control system.

### ▼ If the light comes on steadily:

If the light comes on steadily while driving or does not go out after the engine starts, an emission control system malfunction has been detected.

You should have your vehicle checked by an authorized SUBARU dealer immediately.

### NOTE

**This light also comes on when the fuel filler cap is not tightened until it clicks.**

If you have recently refueled your vehicle, the cause of the CHECK ENGINE warning light/malfunction indicator lamp coming on could be a loose or missing fuel filler cap. Remove the cap and retighten it until it clicks. Make sure nothing is interfering with the sealing of the cap. Tightening the cap will not make the CHECK ENGINE warning light turn off immediately. It may take several driving trips. If the light does not go out, take your vehicle to your authorized SUBARU dealer immediately.

### ▼ If the light is blinking:

If the light is blinking while driving, an engine misfire

– CONTINUED –



condition has been detected which may damage the emission control system.

To prevent serious damage to the emission control system, you should do the following:

- Reduce vehicle speed.
- Avoid hard acceleration.
- Avoid steep uphill grades.
- Reduce the amount of cargo, if possible.
- Stop towing a trailer as soon as possible.

The CHECK ENGINE warning light may stop blinking and come on steadily after several driving trips. You should have your vehicle checked by an authorized SUBARU dealer immediately.

### ■ Charge warning light



If this light comes on when the engine is running, it may indicate that the charging system is not working properly.

If the light comes on while driving or does not go out after the engine starts, stop the engine at the first safe opportunity and check the alternator belt. If the belt is loose, broken or if the belt is in good condition but the light remains on, contact your nearest SUBARU dealer immediately.

### ■ Oil pressure warning light



If this light comes on when the engine is running, it may indicate that the engine oil pressure is low and the lubricating system is not working properly.

If the light comes on while driving or does not go out after the engine starts, stop the engine at the first safe opportunity and check the engine oil level. If the oil level is low, add oil immediately. If the engine oil is at the proper level but the light remains on, contact your nearest SUBARU dealer immediately.

#### CAUTION

**Do not operate the engine with the oil pressure warning light on. This may cause serious engine damage.**

### ■ AT OIL TEMPerature warning light (for AT vehicles)

AT OIL  
TEMP

The AT oil temperature warning light comes on when the ignition switch is turned to the "ON" position and goes out after about two seconds.

If this light comes on when the engine is running, it may indicate that the automatic transmission fluid temperature is too hot.

If the light comes on while driving, it is unnecessary to stop the vehicle, but avoid driving up steep grades or in stop and go traffic.

### ▼ Automatic transmission control system warning

If the light flashes after the engine starts, it may indicate that the automatic transmission control system is not working properly. Contact your nearest SUBARU dealer for service immediately.

### ■ Rear differential oil temperature warning light (WRX-STi) R.DIFF TEMP

#### CAUTION

Reduce vehicle speed and park the vehicle in a safe place as soon as possible if the R.DIFF TEMP light comes on. Continued driving with this light on can damage the rear differential and other parts of the powertrain.

If this light comes on when the engine is running, it may indicate that the rear differential oil temperature is too hot.

At this time, the driver's control center differential will

automatically cancel the current torque-distribution ratio setting and adopts its minimum ratio.

If the light comes on while driving, reduce vehicle speed and stop the vehicle at the nearest safe place. Park the vehicle for several minutes. After the light goes out, you can start driving.

If the light does not go out, contact the nearest SUBARU dealer for service.

### NOTE

- If the tire pressures are not correct and/or the tires are not all the same size and brand, the rear differential will be heavily loaded when the vehicle is driven, resulting in an abnormally high oil temperature.
- The rear differential oil will deteriorate if its temperature increases enough for the rear differential oil temperature warning light to come on. It is advisable to have the rear differential oil replaced as soon as possible.

### ■ ABS warning light

ABS (U.S.)

 (Canada)

The ABS warning light comes on when the ignition switch is turned to the "ON" position and goes out after about two seconds.

This is an indication that the ABS system is working properly.

– CONTINUED –

**▲ CAUTION**

If the warning light behaves as follows, the ABS system may not work properly.

When the warning light is on, the ABS function shuts down; however, the conventional brake system continues to operate normally.

- The warning light does not come on when the ignition switch is turned to the “ON” position.
- The warning light comes on when the ignition switch is turned to the “ON” position, but it does not go out even when the vehicle speed exceeds approximately 8 mph (12 km/h).
- The warning light comes on during driving.

If these occur, have the ABS system repaired at the first available opportunity by your SUBARU dealer.

With a vehicle equipped with an EBD system, the ABS warning light comes on together with the brake system warning light if the EBD system becomes faulty. For further details of the EBD system fault warning, refer to “Brake system warning light”.

**NOTE**

If the warning light behavior is as described be-

low, the ABS system may be considered normal.

- The warning light comes on right after the engine is started but goes out immediately, remaining off.
- The warning light remains on after the engine has been started, but it goes out when the vehicle speed reaches about 8 mph (12 km/h).
- The warning light comes on during driving, but it goes out immediately and remains off.

When driving with an insufficient battery voltage such as when the engine is jump started, the ABS warning light may come on. This is due to the low battery voltage and does not indicate a malfunction. When the battery becomes fully charged, the light will go out.

**■ Brake system warning light**

BRAKE (U.S.)  
(?) (Canada)

**▲ WARNING**

- **Driving with the brake system warning light on is dangerous. This indicates your brake system may not be working properly. If the light remains on, have the brakes inspected by a SUBARU dealer immediately.**
- If at all in doubt about whether the brakes are operating properly, do not drive the vehicle. Have your vehicle towed to the nearest

**SUBARU dealer for repair.**

This light has the following three functions:

▼ **Parking brake warning**

The light comes on with the parking brake applied while the ignition switch is in the “ON” position. It goes out when the parking brake is fully released.

▼ **Brake fluid level warning**

This light comes on when the brake fluid level has dropped to near the “MIN” level of the brake fluid reservoir with the ignition switch in the “ON” position and with the parking brake fully released.

If the brake system warning light should come on while driving (with the parking brake fully released and with the ignition switch positioned in “ON”), it could be an indication of leaking of brake fluid or worn brake pads. If this occurs, immediately stop the vehicle at the nearest safe place and check the brake fluid level. If the fluid level is below the “MIN” mark in the reservoir, do not drive the vehicle. Have the vehicle towed to the nearest SUBARU dealer for repair.

▼ **Electronic Brake Force Distribution (EBD) system warning (for vehicles with ABS)**

The brake system warning light also illuminates if a

malfunction occurs in the EBD system. In that event, it comes on together with the ABS warning light.

The EBD system may be malfunctioning if the brake system warning light and ABS warning light illuminate simultaneously during driving.

Even if the EBD system fails, the conventional braking system will still function. However, the rear wheels will be more prone to locking when the brakes are applied harder than usual and the vehicle’s motion may therefore become somewhat harder to control.

If the brake system warning light and ABS warning light illuminate simultaneously, take the following steps:

1. Stop the vehicle in the nearest safe, flat place.
2. Shut down the engine, then restart it.
3. Release the parking brake. If both warning lights go out, the EBD system may be faulty. Drive carefully to the nearest SUBARU dealer and have the system inspected.
4. If both warning lights come on again and stay illuminated after the engine has been restarted, shut down the engine again, apply the parking brake, and check the brake fluid level.
5. If the brake fluid level is not below the “MIN” mark, the EBD system may be faulty. Drive carefully to the nearest SUBARU dealer and have the system inspected.

– CONTINUED –

6. If the brake fluid level is below the “MIN” mark, DO NOT drive the vehicle. Instead, have the vehicle towed to the nearest SUBARU dealer for repair.

### ■ Door open warning light



The door open warning light comes on if any door or the rear gate is not fully closed.

Always make sure this light is out before you start to drive.

### ■ All-wheel drive warning light (for AWD AT vehicles – if equipped)

AWD

The all-wheel drive warning light comes on when the ignition switch is turned to the “ON” position and goes out after about two seconds.

This light comes on when All Wheel Drive is disengaged and the drive mechanism is switched to Front Wheel Drive for maintenance or similar purposes (Non-turbo vehicles).

It flashes if the vehicle is driven with tires of differing diameters fitted on the wheels or with an excessively low air pressure in any of the tires.

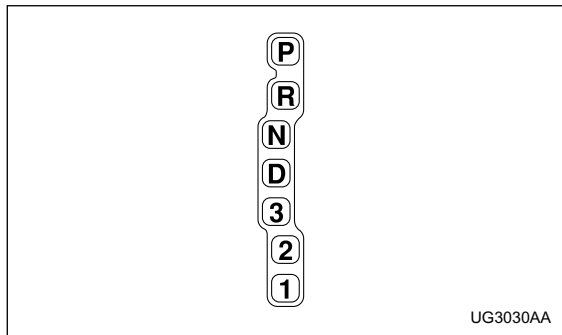
### CAUTION

Continuing to drive with the AWD warning light flashing can damage the powertrain. If the AWD warning light starts to flash, promptly park in a safe place and check whether the tires have differing diameters and whether any of the tires has an excessively low inflation pressure.

### ■ Intercooler water spray warning light (WRX-STi) <sup>I/C</sup> SPRAY

This light comes on when the water level in the intercooler water spray tank falls to the lower limit (about 0.4 US qt, 0.4 liter, 0.4 Imp qt).

## ■ Selector lever position indicator (AT vehicles)



This indicator shows the position of the selector lever.

## ■ Turn signal indicator lights

These lights show the operation of the turn signal or lane change signal.

If the indicator lights do not blink or blink rapidly, the turn signal bulb may be burned out. Replace the bulb as soon as possible. Refer to the “Replacing bulbs” section in chapter 11.

## ■ High beam indicator light



This light shows that the headlights are in the high beam mode.

This indicator light also comes on when the headlight flasher is operated.

## ■ Cruise control indicator light

CRUISE

The cruise control indicator light comes on when the ignition switch is turned to the “ON” position and goes out after about three seconds.

This light comes on when the “CRUISE” main switch is pressed.

If it flashes during driving, deactivate the cruise control system and contact your SUBARU dealer for an inspection. Refer to “Cruise control” in Chapter 7 for the deactivation procedure of the cruise control system.

## ■ Cruise control set indicator light



The cruise control set indicator light comes on when the ignition switch is turned to the “ON” position and goes out after about three seconds.

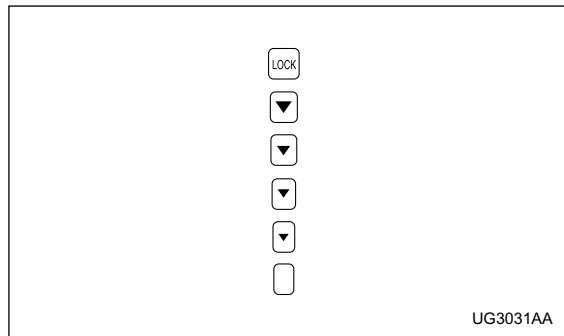
This light comes on when vehicle speed has been set.

– CONTINUED –


### ■ Driver's control center differential auto indicator light (WRX-STi) AUTO

This light functions while the ignition switch is ON. When on, it indicates that the driver's control center differential is set to AUTO mode. It goes off when the driver's control center differential's manual mode switch is pressed. For details, refer to Chapter 7, "Driver's Control Center Differential (DCCD) (WRX-STi)".

### ■ Driver's control center differential indicator lights (WRX-STi)



These indicator lights show the current differential-action limiting factor (torque-distribution ratio between

the front and rear wheels) of the center differential. The bottom indicator light "  " flashes in the event of failure of the driver's control center differential. For details, refer to Chapter 7, "Driver's Control Center Differential (DCCD) (WRX-STi)".

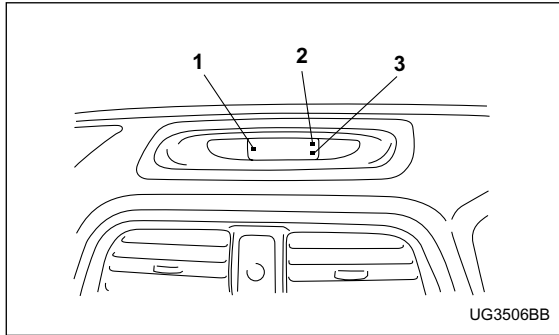
### ■ Headlight indicator light (WRX-STi) ☾☽

This light comes on when the headlight switch is placed in the " ☾☽ " or " ☾ " position.

### ■ REV indicator light (WRX-STi)

This light comes on when the engine speed reaches a level set by the user and when the tachometer needle enters the red zone.

## Clock



- 1) "S" button
- 2) "H" button
- 3) "M" button

To set the hour, press the "H" button. To set the minutes, press the "M" button. To reset the minutes the "00" with a radio time signal, push the "S" button.

### **⚠ CAUTION**

**To ensure safety, do not attempt to set the time while driving, as an accident from inadequate**

**attention to the road could result.**



## Light control switch

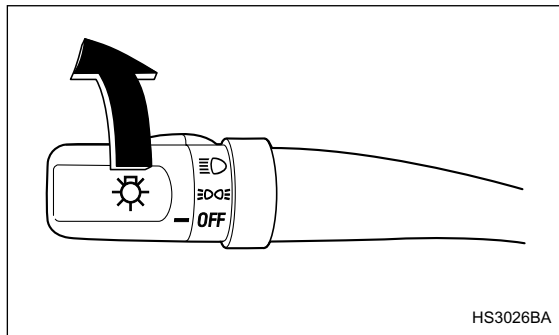
The light switch operates only when the ignition switch is in the “ON” position.

### WARNING


To prevent battery discharge resulting from accidentally leaving your lights on when your vehicle is parked, the light switch operates only when the ignition switch is in the “ON” position. In any other position, the vehicle’s lights will be out.

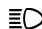
If you park your vehicle on a roadside at night, use the hazard warning flasher to alert the other drivers.

## ■ Headlights

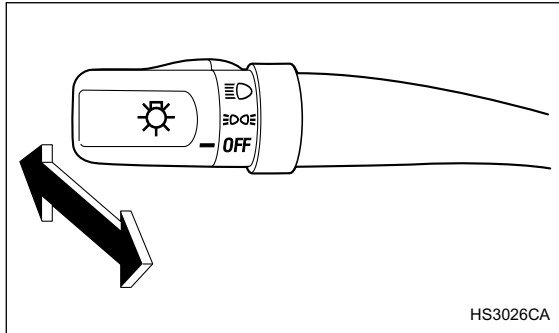



To turn on the headlights, turn the knob on the end of the turn signal lever.

 first position  
Parking lights, instrument panel illumination, tail lights and license plate light are on.

 second position  
Headlights, parking lights, instrument panel illumination, tail lights, and license plate light are on.

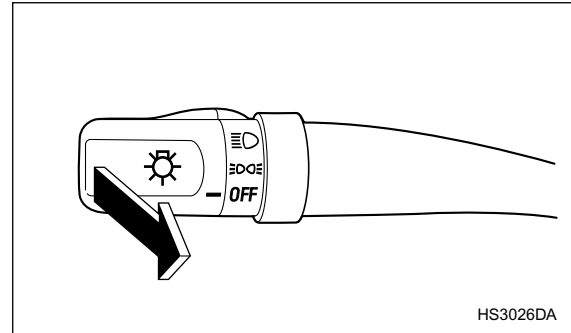
## ■ High/low beam change (dimmer)




To change from low beam to high beam, push the turn signal lever forward. When the headlights are on high beam, the high beam indicator light “ ” on the instrument panel is also on.

To switch back to low beam, pull the lever back to the detent position.

## ■ Headlight flasher



To flash the headlights, pull the lever toward you and then release it. The high beam will stay on for as long as you hold the lever. The headlight flasher works even though the lighting switch is in the “OFF” position.

When the headlights are on high beam, the high beam indicator light “ ” on the instrument panel also comes on.

### CAUTION

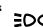
**Do not hold the lever in the flashing position for**

– CONTINUED –

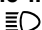
more than just a few seconds.

## ■ Daytime running light system (except U.S.-spec. WRX-STi)

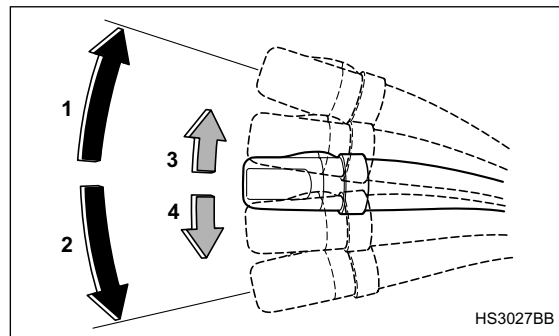
The low beam headlights will automatically come on at reduced brightness when the engine has started, under the following conditions:

- The parking brake is fully released.
- The light switch is in the “OFF” or “ ” position.
- The automatic transmission selector lever is set at other than the “P” position.

### WARNING

The tail lights, parking lights, and side marker lights are not turned on by the daytime running light system. The light switch must always be turned to the “ ” position when it is dark outside.

## Turn signal lever



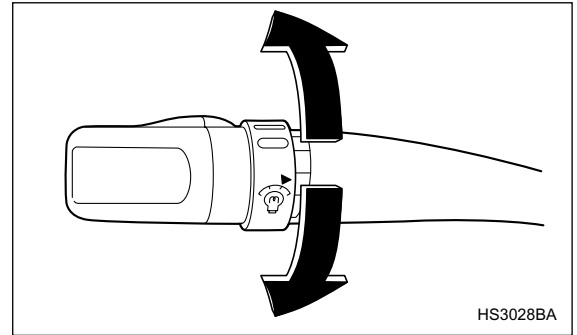
- 1) Right turn
- 2) Left turn
- 3) Lane change for right
- 4) Lane change for left

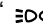
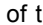
To activate the right turn signal, push the turn signal lever up. To activate the left turn signal, push the turn signal lever down. When the turn is finished, the lever will return automatically. If the lever does not return after cornering, return the lever to the neutral position by hand.

To signal a lane change, push the turn signal lever up

or down slightly and hold it during the lane change. The turn signal indicator lights will flash in the direction of the turn or lane change. The lever will return automatically to the neutral position when you release it.

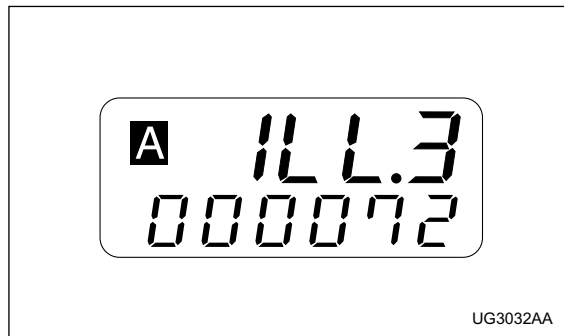
## Illumination brightness control



When the headlight switch is in the “ ” or “ ” position, you can adjust brightness of the instrument panel illumination for better visibility.

To brighten, turn the control dial upward.  
To darken, turn the control dial downward.

## Illumination brightness control (WRX-STi)

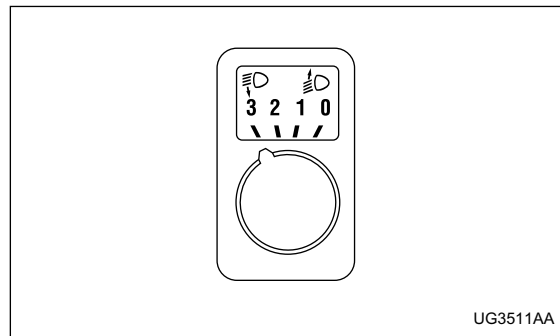


The brightness of the combination meter can be adjusted in five steps with the headlight switch either the OFF position or the “ $\exists \text{D} \text{D} \text{E}$ ” or “ $\exists \text{D}$ ” position.

When the control dial is turned upward or downward, the instrument panel's illumination brightness is indicated by the trip meter. The brightness is shown in five steps from “111.1” (dimpest) to “111.5” (brightest).

If the control dial is not turned for three seconds, the trip meter returns to its original trip meter indication.

## Headlight beam leveler (U.S.-spec. WRX-STi)



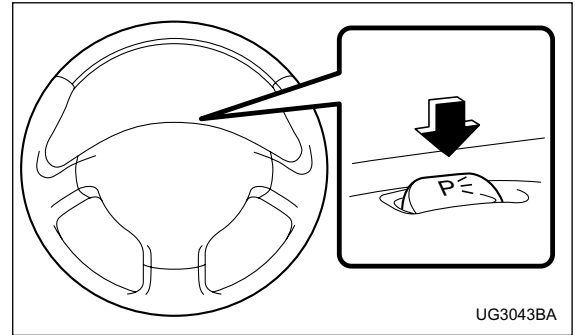
The WRX-STi version has High-Intensity Discharge (HID) headlights on the low beam setting. The HID headlights generate more light than conventional halogen headlights. Therefore a driver of an oncoming vehicle may experience too much glare when your headlight beam height adjustment is high due to the vehicle carrying heavy load.

The headlight beam leveler can be used to adjust beam height to avoid such a condition.

The higher the number the knob is turned to, the lower

the beam becomes.

## Parking light switch



The parking light switch operates regardless of the ignition switch position.

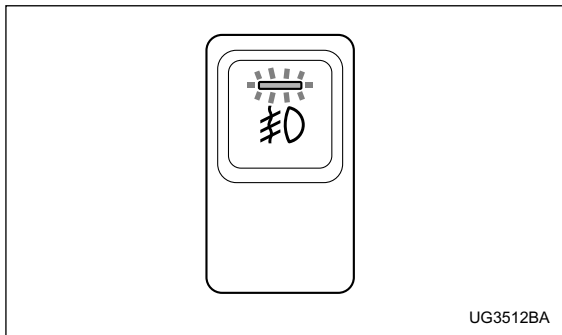
By pushing the front end of this switch, following lights will come on.

- Parking lights
- Tail lights
- License plate lights

To turn off, push the rear end of the parking light switch.

Avoid leaving these lights on for a long time because that will run down the battery.

## Fog light button (if equipped)



The fog lights operate only when the headlights are on low beam. Push the fog light button to turn the fog lights on.

Press the button again to turn them off.

The indicator light located on the button will illuminate when the fog lights are on.

## Wiper and washer

### **⚠ WARNING**

In freezing weather, do not use the windshield washer until the windshield is sufficiently warmed by the defroster.

Otherwise the washer fluid can freeze on the windshield, blocking your view.

### **⚠ CAUTION**

- Do not operate the washer continuously for more than ten seconds, or when the washer fluid tank is empty. This may cause overheating of the washer motor. Check the washer fluid level frequently, such as at fuel stops.

- Do not operate the wipers when the windshield or rear window is dry. This may scratch the glass, damage the wiper blades and cause the wiper motor to burn out. Before operating the wiper on a dry windshield or rear window, always use the windshield washer.

- In freezing weather, be sure that the wiper blades are not frozen to the windshield or rear window before switching on the wipers. At-

tempting to operate the wiper with the blades frozen to the window glass could cause not only the wiper blades to be damaged but also the wiper motor to burn out. If the wiper blade is frozen to the window glass, be sure to operate the defroster, windshield wiper deicer (if equipped) or rear window defogger before turning on the wiper.

- If the wipers stop during operation because of ice or some other obstruction on the window, the wiper motor could burn out even if the wiper switch is turned off. If this occurs, promptly stop the vehicle in a safe place, turn the ignition switch to the “LOCK” position and clean the window glass to allow proper wiper operation.

- Use clean water if windshield washer fluid is unavailable. In areas where water freezes in winter, use SUBARU Windshield Washer Fluid or the equivalent. (See the “Windshield washer fluid” section in chapter 11.)

Also, when driving the vehicle when there are freezing temperatures, use non-freezing type wiper blades.

- Do not clean the wiper blades with gasoline or a solvent, such as paint thinner or benzene. This will cause deterioration of the wiper

blades.

#### NOTE

- The wiper operates only when the ignition switch is in the “ON” or “ACC” position.
- Clean your wiper blades and window glass periodically with a washer solution to prevent streaking, and to remove accumulations of road salt or road film. Keep the washer button depressed at least for 1 second so that washer solution will be sprinkled all over the windshield or rear window.
- Grease, wax, insects or other material on the windshield or the wiper blade results in jerky wiper operation and streaking on the glass. If you cannot remove those streaks after operating the washer or if the wiper operation is jerky, clean the outer surface of the windshield or rear window and the wiper blades using a sponge or soft cloth with a neutral detergent or mild-abrasive cleaner. After cleaning, rinse the window glass and wiper blades with clean water. The glass is clean if no beads form on the glass when you rinse with water.
- If you cannot eliminate the streaking even after following this procedure, replace the wiper blades with new ones. Refer to the “Replacement of wiper

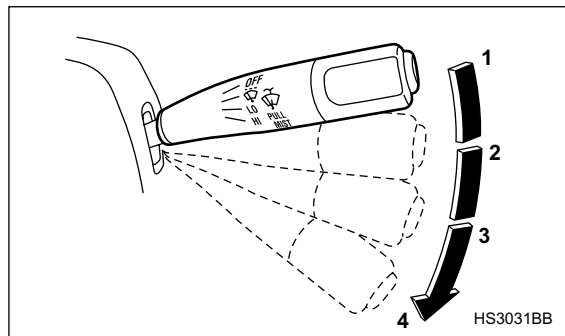
– CONTINUED –




blades” section (chapter 11) for replacement instructions.

## ■ Windshield wiper and washer switches

### ▼ Windshield wipers



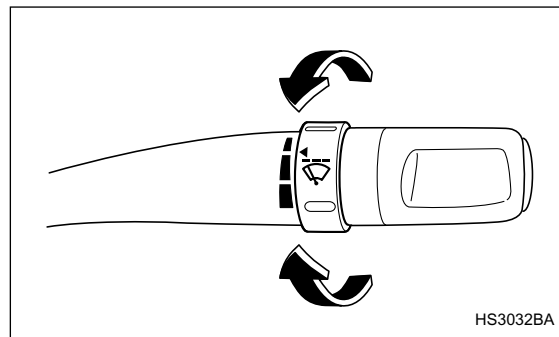
- 1) OFF
- 2) : Intermittent
- 3) LO: Low speed
- 4) HI: High speed


To turn the wipers on, push the wiper control lever down.

To turn the wipers off, return the lever to the “OFF” po-

sition.

### ▼ Wiper intermittent time control

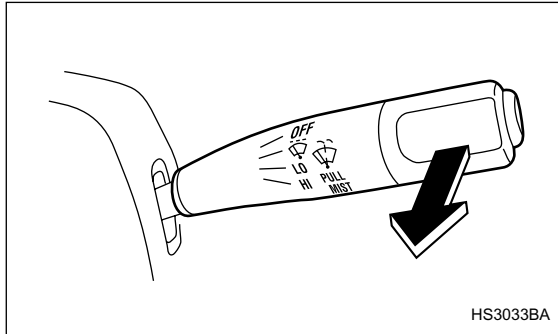


When the wiper switch is in the “” position, turn the dial to adjust the operating interval of the wiper.

The operating interval can be adjusted continuously from the shortest interval to the longest.

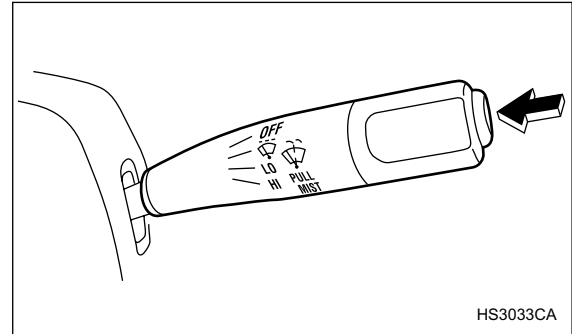
Two click stop positions of the dial may help you to aim at your desired interval.

▼ Mist (for a single wipe)



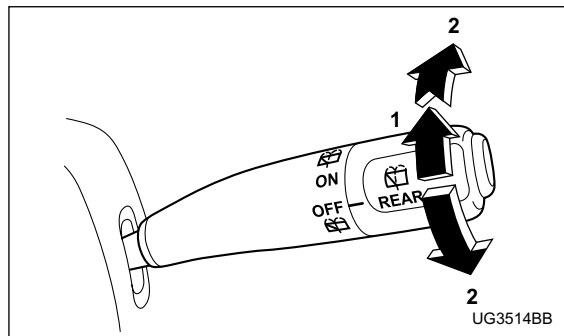
For a single wipe of the wipers, pull the lever toward you. The wipers operate until you release the lever.

▼ Washer



To wash the windshield, push the washer button at the end of the wiper control lever. The washer fluid sprays until you release the washer button. The wipers operate while you push the button.

## ■ Rear window wiper and washer switch – Wagon




- 1) Rear wiper
- 2) Washer


### ▼ Rear wiper

The rear wiper offers intermittent operation only. To turn the rear wiper on, turn the knob on the end of the wiper control lever to the “ON” position. To turn the wiper off, return the knob on the end of the lever to the “OFF” position.

### ▼ Washer

To wash the rear window while the rear wiper is oper-

ating, turn the knob on the end of the wiper control lever counterclockwise to the “” position. The washer fluid sprays until you release the knob.

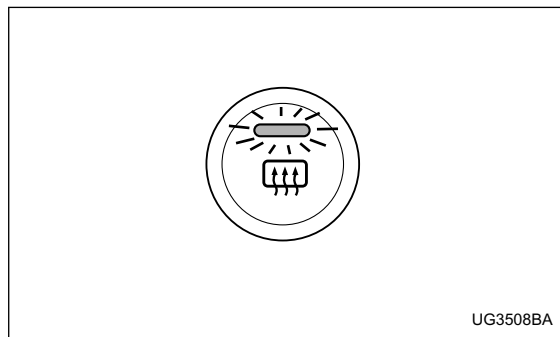
To wash the rear window when the rear wiper is not in use, turn the knob on the end of the wiper control lever clockwise to the “” position. The washer fluid sprays and the wiper operates until you release the knob.

## Rear window defogger button

The rear window defogger operates only when the ignition switch is in the "ON" position.

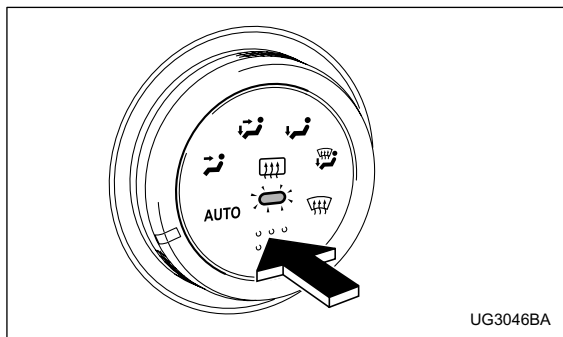
The rear window defogger button is located on the climate control panel.

The defogger will automatically shut off after about 15 minutes. If the window clears before that time, push the button to turn it off. It also turns off when the ignition switch is turned to the "ACC" or "LOCK" position. If defrosting or defogging is desired when you restart your vehicle, you have to push the button to turn it on again.



UG3508BA

Manual climate control system



### Automatic climate control system

To turn on the defogger, push the button. To turn it off, push the button again.

The indicator light located on the button lights up while the rear window defogger is operating.

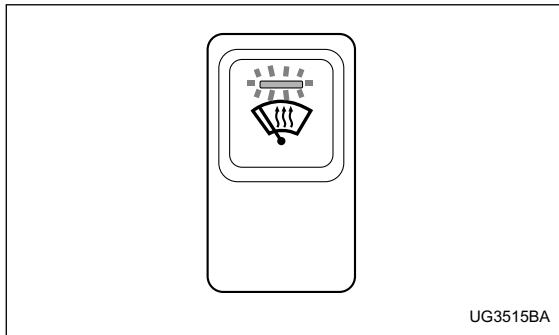
### NOTE

- If your vehicle is equipped with the outside mirror defogger, the outside mirror defogger operates while the rear window defogger is operating.
- Turn on the rear window defogger if the wiper is frozen to the glass.

### CAUTION

- Do not use sharp instruments or window cleaner containing abrasives to clean the inner surface of the rear window. They may damage the conductors printed on the window.
- To prevent the battery from being discharged, do not operate the defogger continuously for any longer than necessary.

## Windshield wiper deicer (if equipped)



The windshield wiper deicer operates only when the ignition switch is in the “ON” position.

Before turning on the windshield wiper deicer, remove any snow from the windshield. To turn on the windshield wiper deicer, push the button. The indicator light located on the button lights up while the windshield wiper deicer is operating.

The windshield wiper deicer will automatically shut off after about 15 minutes. If the windshield wiper blades have been deiced completely before that time, push the button to turn it off. It also turns off when the igni-

tion switch is turned to the “ACC” or “LOCK” position. If deicing is not complete when you restart your vehicle, you have to push the button to turn the deicer on again.

### NOTE

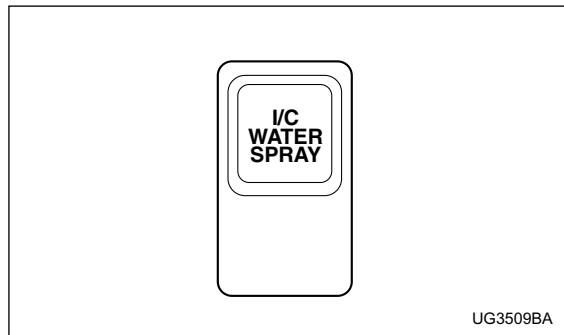
If your vehicle is equipped with the outside mirror defogger, the outside mirror defogger operates while the rear window defogger is operating.

### CAUTION

To prevent the battery from being discharged, do not operate the windshield wiper deicer continuously for any longer than necessary.

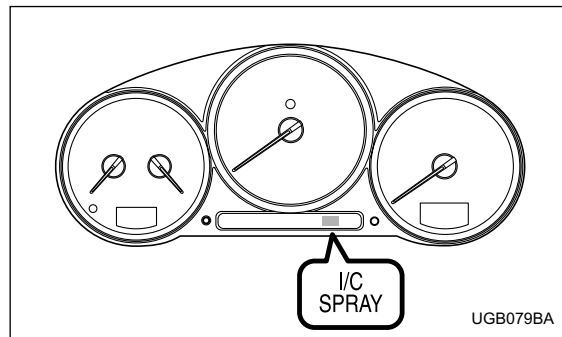
## Intercooler water spray switch (WRX-STi)

Pressing this switch causes water to be sprayed into the intercooler. It can be used to help maintain adequate intercooler performance when the outside temperature is high.



Water is sprayed for approximately two seconds every time the switch is pressed and then released.

## NOTE



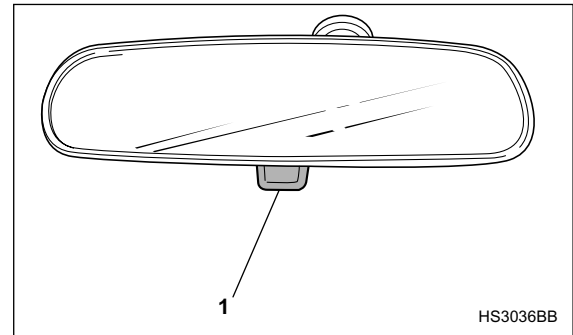
- The intercooler water spray warning light comes on when the water level in the tank has dropped to the lower limit. If the warning light illuminates, refill the tank with water. The tank is located on the right hand side of the trunk. For the tank refilling method, refer to the “Intercooler water spray (WRX-STi)” section in Chapter 11.
- In cold weather (when you do not use the intercooler water spray), keep the tank half-empty or below in case the water freezes. A larger amount of water could break the tank if it froze.

**⚠ CAUTION**

Do not press the switch when the warning light is illuminated. If the switch is kept pressed when the tank is short of water, the water pump motor could overheat.

**Mirrors**

Always check that the inside and outside mirrors are properly adjusted before you start driving.

**■ Inside mirror**

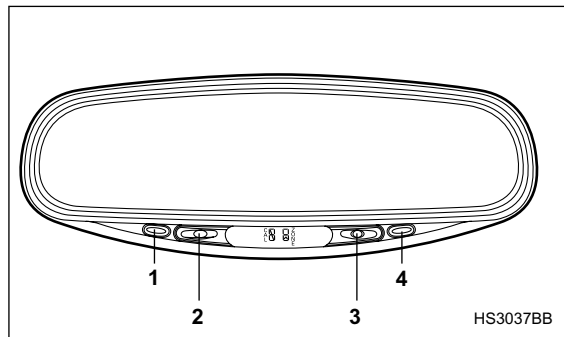
1) Tab

The inside mirror has a day and night position. Pull the tab at the bottom of the mirror toward you for the night position. Push it away for the day position. The night position reduces glare from headlights.

– CONTINUED –



▼ Auto-dimming mirror/compass (if equipped)



- 1) Left button
- 2) Auto dimming indicator
- 3) Photosensor
- 4) Right button

The inside electronic compass mirror has an anti-glare feature which automatically reduces glare coming from headlights of vehicles behind you. It also contains a built-in compass.

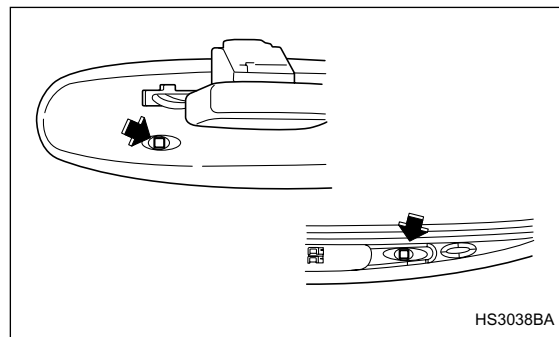
- By pressing and releasing the left button, the automatic dimming function is toggled on or off. When the automatic dimming function is on, the auto dimming indicator light (green) located to the right of the button

will illuminate.

- By pressing and releasing the right button, the compass display is toggled on or off. When the compass is on, an illuminated compass reading will appear in the lower part of the mirror.

Even with the mirror in anti-glare mode, the mirror surface turns bright if the transmission is shifted into reverse. This is to ensure good rearward visibility during reversing.

▼ Photosensors



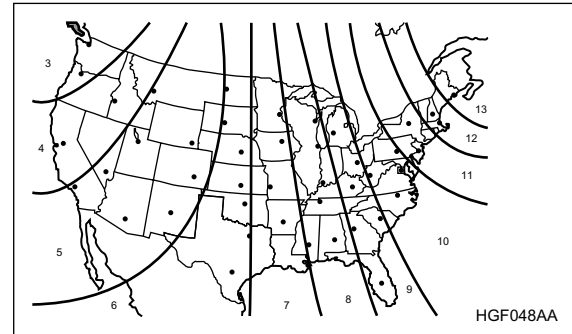
The mirror has a photosensor attached on both the front and back sides. If the glare from the headlights of vehicles behind you strikes the mirror, these sensors

detect it and make the reflection surface of the mirror dimmer to help prevent you from being blinded. For this reason, use care not to cover the sensors with stickers, or other similar items. Periodically wipe the sensors clean using a piece of dry soft cotton cloth or an applicator.

### ▽ Compass calibration

1. For optimum calibration, switch off all nonessential electrical accessories (rear window defogger, heater/air conditioning system, spotlight, etc.) and ensure all doors are shut.
2. Drive to an open, level area away from large metallic objects or structures and make certain the ignition switch is in the "ON" position.
3. Press and hold the left button for 3 seconds then release, and the compass will enter the calibration mode. "CAL" and direction will be displayed.
4. Drive slowly in a circle until "CAL" disappears from the display (about two or three circles). The compass is now calibrated.
5. Further calibration may be necessary should outside influences cause the mirror to read inaccurately. You will know that this has occurred if your compass begins to read in only limited directions. Should you encounter this situation, return to step one of the above procedure and recalibrate the mirror.

### ▽ Compass zone adjustment



#### Compass calibration zones

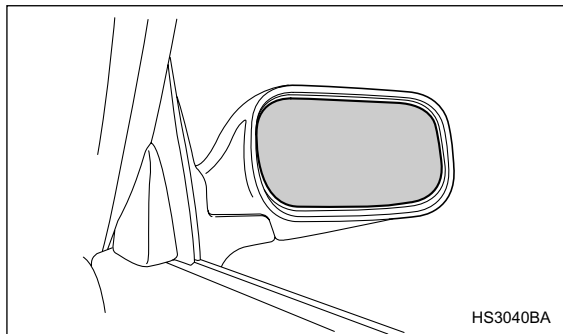
1. The zone setting is factory preset to Zone 8. Refer to the "Compass calibration zone" map shown above or one attached to the end of this manual to verify that the compass zone setting is correct for your geographical location.
2. Press and hold the right button for 3 seconds then release, and the word "ZONE" will briefly appear and then the zone number will be displayed.
3. Press the right hand button repeatedly to cycle the display through all possible zone settings. Stop cycling when the correct zone setting for your location is displayed.

– CONTINUED –

played.

4. Releasing the button for 3 seconds will exit the zone setting mode.

## ■ Outside mirrors



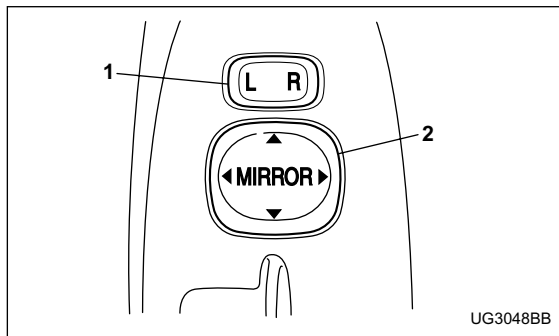
### ▼ Convex mirror (passenger side)

#### WARNING

**Objects look smaller in a convex mirror and farther away than when viewed in a flat mirror. Do not use the convex mirror to judge the distance of vehicles behind you when changing lanes. Use the inside mirror (or glance backwards) to**

**determine the actual size and distance of objects that you view in convex mirror.**

### ▼ Remote control mirror switch



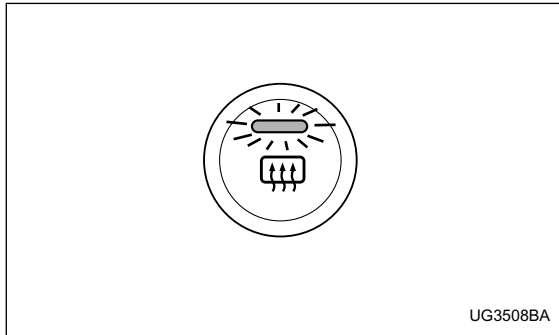
- 1) Selection switch
- 2) Direction control switch

The remote control mirrors operate only when the ignition switch is in the "ON" or "ACC" position.

1. Press either end of the selection switch, "L" for the left, "R" for the right.
2. Move the direction control switch in the direction you want to move the mirror.

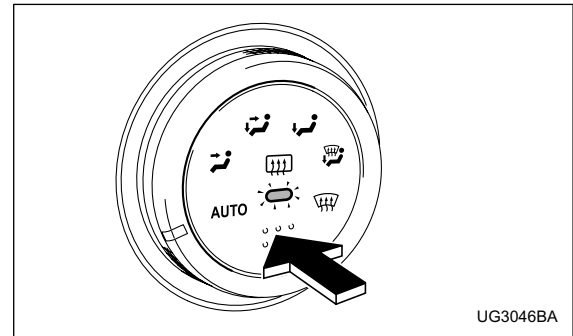
3. Return the selection switch to the neutral position to prevent unintentional operation.  
The mirrors can also be adjusted manually.

▼ **Outside mirror defogger (if equipped)**



UG3508BA

**Manual climate control system**



UG3046BA

**Automatic climate control system**

The outside mirror defogger shares the button with rear window defogger.

The outside mirror defogger operates only when the ignition switch is in the "ON" position.

To turn on the outside mirror defogger, push the button. To turn it off, push the button again. The indicator light located on the button lights up while the outside mirror defogger is operating.

The defogger will automatically shut off after about 15 minutes. If the mirror clears before that time, push the button to turn it off. It also turns off when the ignition switch is turned to the "ACC" or "LOCK" position. If de-

– CONTINUED –

frosting or defogging is desired when you restart your vehicle, you have to push the button to turn it on again.

**NOTE**

**While the outside mirror defogger is operating, the rear window defogger also operates.**

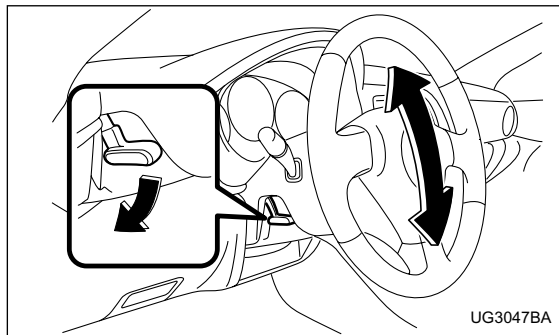
**⚠ CAUTION**

**To prevent the battery from being discharged, do not operate the defogger continuously for any longer than necessary.**

---

**Tilt steering wheel**

---



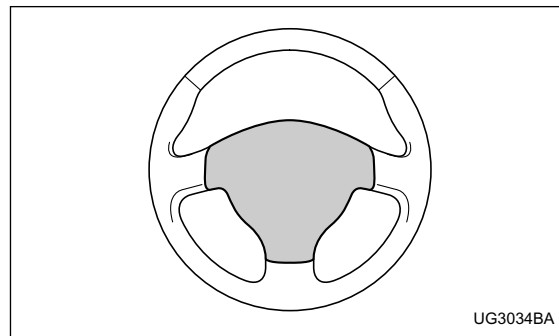
1. Adjust the seat position. Refer to the “Front seats” section (chapter 1).
2. Push the tilt lock lever down.
3. Move the steering wheel to the desired level.
4. Pull the lever up to lock the steering wheel in place.
5. Make sure that the steering wheel is securely locked by moving it up and down.

**⚠ WARNING**

**Do not adjust the steering wheel tilt position while driving. This may cause loss of vehicle**

control and result in personal injury.

## Horn



To sound the horn, push the horn pad.

---

---

---

---

---

---

---

---

---

---

---

---

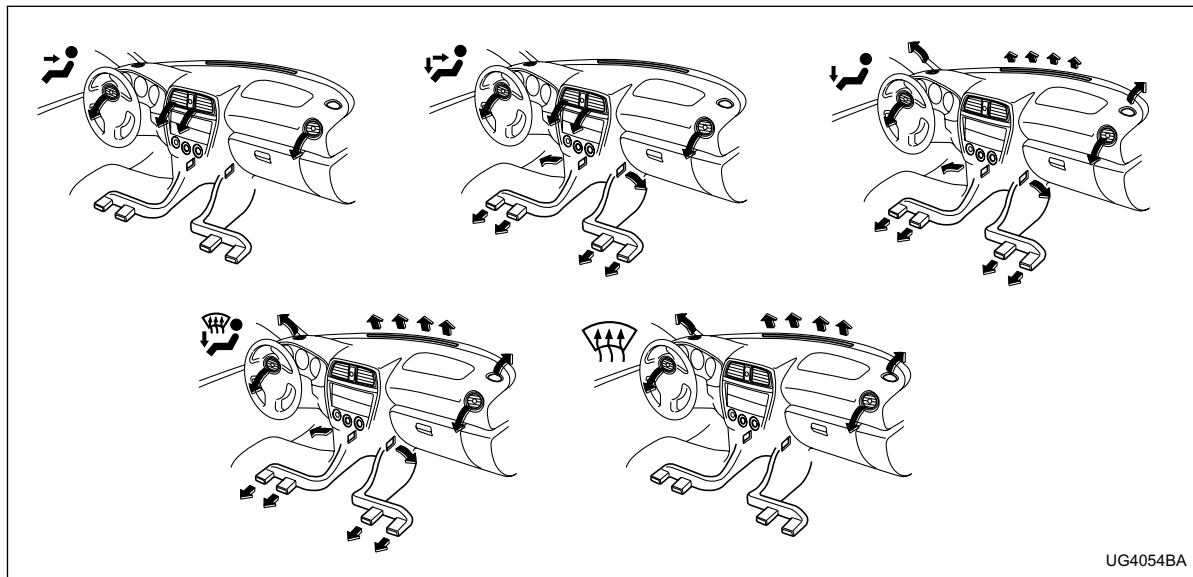
---

<b>Ventilator</b> .....	4-2		
Air flow selection .....	4-2		
Center and side ventilators .....	4-3		
<b>Manual climate control system</b>			
(if equipped) .....	4-4		
Control panel .....	4-4		
Heater operation .....	4-6		
Air conditioner operation (if equipped) .....	4-9		
<b>Automatic climate control system</b>			
(if equipped) .....	4-11		
Control panel .....	4-11		
To use as full-automatic climate control system .....	4-12		
To use as semi-automatic climate control system .....	4-12		
Fan speed control dial .....	4-12		
Temperature control dial .....	4-13		
Air flow control dial .....	4-13		
Air inlet selection button .....	4-14		
Air conditioner button .....	4-15		
Temperature sensors .....	4-16		
<b>Operating tips for heater and air conditioner</b> .....	4-17		
Cleaning ventilation grille .....	4-17		
Efficient cooling after parking in direct sunlight .....	4-17		
Lubrication oil circulation in the refrigerant circuit .....	4-17		
Checking air conditioning system before summer season .....	4-17		
		Cooling and dehumidifying in high humidity and low temperature weather conditions ....	4-18
		Air conditioner compressor shut-off when engine is heavily loaded .....	4-18
		Refrigerant for your climate control system ..	4-18
		<b>Air filtration system (Turbo model only)</b> .....	4-18
		Replacing an air filter .....	4-19



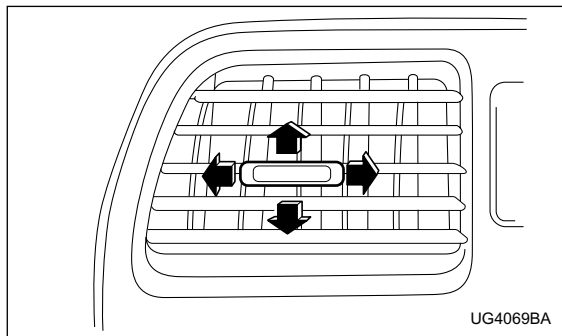
## Ventilator

### ■ Air flow selection



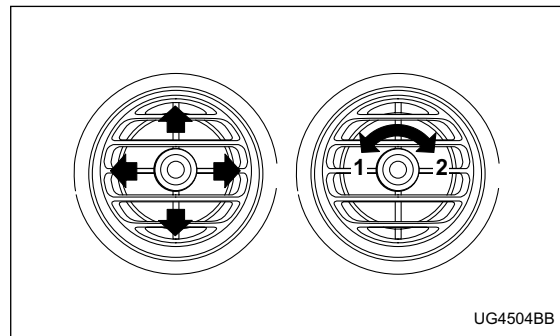
## ■ Center and side ventilators

### ▼ Center ventilators



Move the tab up and down or right and left to adjust the flow direction.

### ▼ Side ventilators



- 1) Open
- 2) Close

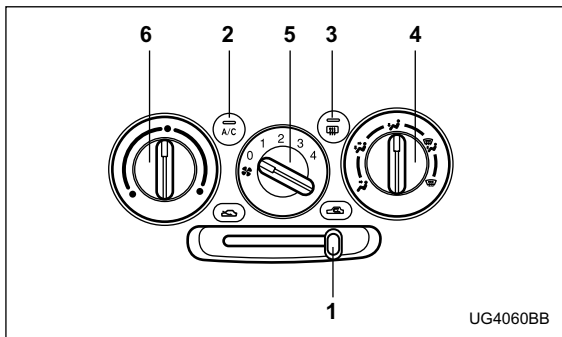
Move the knob in any direction you prefer to adjust the flow direction.

To open the ventilator, turn the knob counterclockwise.

To close the ventilator, turn the knob clockwise.

## Manual climate control system (if equipped)

### ■ Control panel



- 1) Air inlet selection lever
- 2) Air conditioner button
- 3) Rear window defogger button (Refer to the "Rear window defogger button" in chapter 3.)
- 4) Air flow control dial
- 5) Fan speed control dial
- 6) Temperature control dial

### ▼ Temperature control dial

This dial regulates the temperature of air flow from the

air outlets over a range from the blue side (cool) to red side (warm).

### ▼ Fan speed control dial

The fan operates only when the ignition switch is turned to the "ON" position. The fan speed control dial is used to select four fan speeds.

### ▼ Air flow control dial

This dial has the following five positions:



: Air flows through the instrument panel outlets.



: Air flows through the instrument panel outlets and the foot outlets.



: Air flows through the foot outlets and some through the windshield defroster outlets.




: Air flows through the windshield defroster outlets and foot outlets.







: Air flows through the windshield defroster outlets.

**NOTE**

• You will find the notation “USE WITH  ” on the air flow control dial plate.

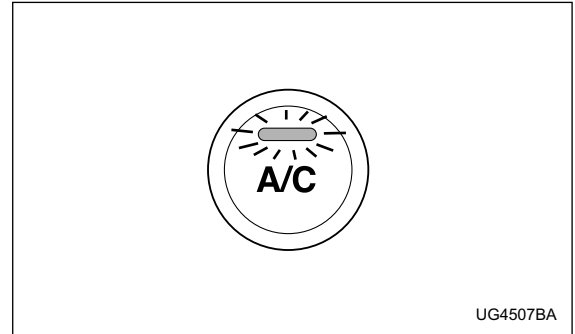
This is intended to remind you to set the air inlet selection lever in the “  ” position when defogging the windshield.

Defogging with the air inlet selection lever set in the “  ” position provides better defogging performance than in the “  ” position.

• When the dial is placed in the “  ” or “  ” position, the air conditioner compressor operates automatically regardless of the position of the air conditioner button to defog the windshield quickly.

However the indicator on the air conditioner button will not come on.

Also, you cannot stop the air conditioner compressor by pressing the air conditioner button.


**▼ Air conditioner button (if equipped)**


The air conditioner operates only when the engine is running.

Push the air conditioner button while the fan is in operation to turn on the air conditioner. The indicator light will come on.

Push it again to turn off the air conditioner.


**▼ Air inlet selection lever**


 (Recirculation): Interior air is recirculated inside the vehicle.

Place the air inlet selection lever in the “  ” position.



– CONTINUED –

tion for fast cooling with the air conditioner or when driving on a dusty road.

 (Outside air): Outside air is drawn into the passenger compartment.

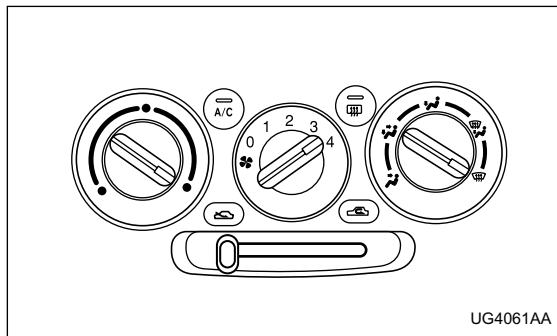
Place the air inlet selection lever in the “” position when the interior has cooled to a comfortable temperature and the road is no longer dusty.

### WARNING



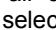
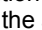
Continued operation in the  position may fog up the windows. Switch to the  position as soon as the outside dusty condition clears.

## ■ Heater operation

### ▼ Defrosting or defogging the windshield



To direct warm air to the windshield and front door windows:

1. Set the air inlet selection lever to the “” position.
  2. Set the air flow control dial to the “” position.
  3. Turn the temperature control dial all the way to the right.
  4. Set the fan speed control dial to the highest speed.
- If your vehicle is equipped with an air conditioner, when the “” or “” position is selected, the air conditioner compressor automatically operates re-

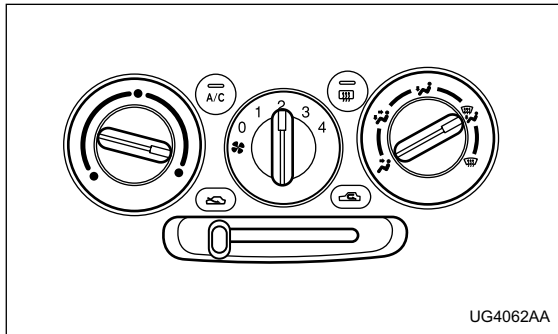
regardless of the position of the air conditioner button to defog the windshield quickly.

However, the air conditioner indicator light does not come on at this time.


## NOTE




**Warm air also comes out from the right and left air outlets. To stop warm air flow from these outlets, turn the corresponding knob clockwise.**

### ▼ Heating and defrosting



To direct warm air toward the floor and the windshield:

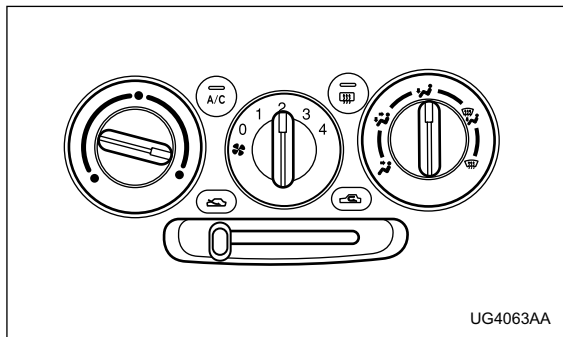
1. Set the air inlet selection lever to the “” position.

2. Set the air flow control dial to the “” position.
3. Set the temperature control dial to the most comfortable level.
4. Set the fan speed control dial to the desired speed. If your vehicle is equipped with an air conditioner, when the “” or “” position is selected, the air conditioner compressor automatically operates regardless of the position of the air conditioner button to defog the windshield quickly. However, the air conditioner indicator light does not come on at this time.



## NOTE

**Warm air also comes out from the right and left air outlets. To stop warm air flow from these outlets, turn the corresponding knob clockwise.**

▼ Heating



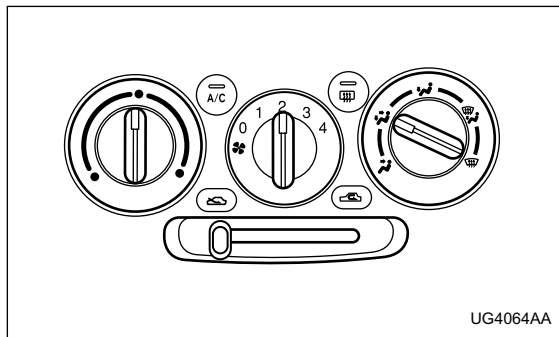
To direct warm air toward the floor:

1. Set the air inlet selection lever to the “” position.
2. Set the air flow control dial to the “” position.
3. Set the temperature control dial to the most comfortable level.
4. Set the fan speed control dial to the desired speed.



**NOTE**

**Warm air also comes out from the right and left air outlets. To stop warm air flow from these outlets, turn the corresponding knob clockwise.**

▼ Bi-level heating



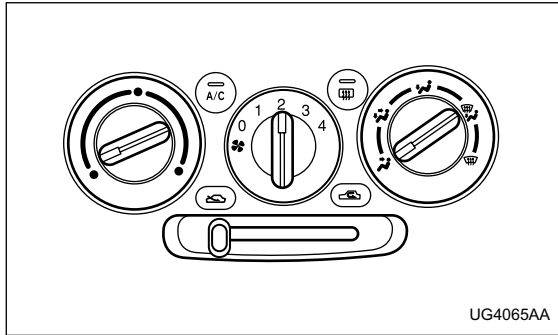
This setting allows you to direct air of different temperatures from the instrument panel and foot outlets. The air from the foot outlets is slightly warmer than from the instrument panel outlets.

1. Set the air inlet selection lever to the “” position.
2. Set the air flow control dial to the “” position.
3. Set the temperature control dial to the desired temperature level.
4. Set the fan speed control dial to the desired speed.



Setting the temperature control dial fully turned to the red area or blue area decreases the temperature dif-


ference between the air from the instrument panel outlets and the air from the foot outlets.

### ▼ Ventilation





To force outside air through the instrument panel outlets:

1. Set the air inlet selection lever to the “” position.
2. Set the air flow control dial to the “” position.
3. Set the temperature control dial all the way left.
4. Set the fan speed control dial to the desired speed.

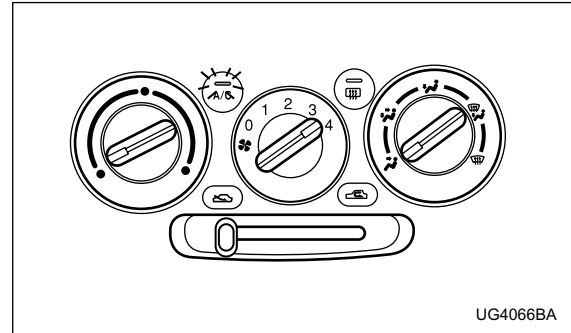
When driving on a dusty road, set the air inlet control lever to the “” position.

### **▲** WARNING

Continued operation in the “” position may fog up the windows. Switch to the “” position as soon as the outside dusty condition clears.

### ■ Air conditioner operation (if equipped)

#### ▼ Cooling or dehumidifying





For cooling and dehumidification of the passenger compartment, performing the following steps will allow

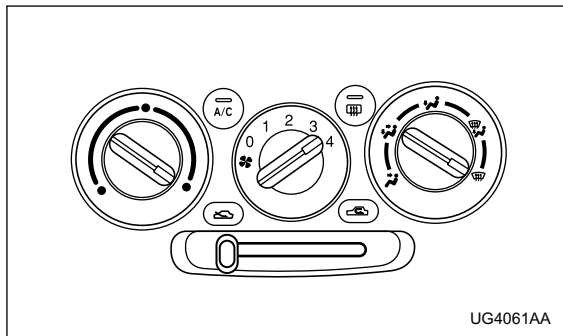
– CONTINUED –





air to flow through the instrument panel outlets:



1. Set the air inlet selection lever to the “” position.
2. Set the air flow control dial to the “” position.
3. Set the air conditioner button to the “ON” position.
4. Set the temperature control dial to the blue side.
5. Set the fan speed control dial at the highest speed.

### ▼ Defrosting or defogging



To direct warm air to the windshield and front door windows:

1. Set the air inlet selection lever to the “” position.
2. Set the air flow control dial to the “” position.

3. Set the temperature control dial to the red side.
4. Set the fan speed control dial at the highest speed. The air conditioner compressor automatically operates when the air flow control dial set in the “” or “” position to provide better defogging performance.

However, the air conditioner indicator light does not come on at this time.

## Automatic climate control system (if equipped)

Although this climate control system can be used as a full-automatic climate control system, it can also, if desired, be used as a semi-automatic climate control system.

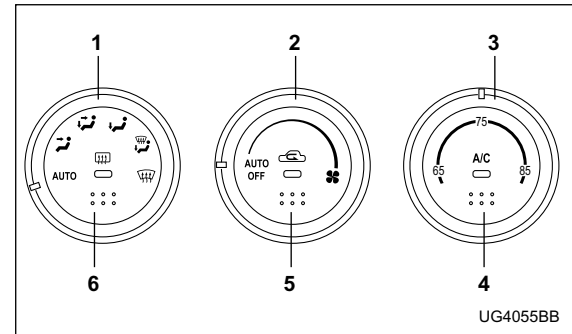
When it is used as a full-automatic climate control system, the outlet air temperature, fan speed, air flow distribution, air inlet control, and air conditioner compressor operation are all automatically controlled to maintain a constant, comfortable temperature inside the vehicle.

### NOTE

- Operate the automatic climate control system when the engine is running.
- When the engine coolant is cold, the blower does not run.
- In the “AUTO” mode, when the air temperature in the passenger compartment is sufficiently cool, the air conditioner compressor does not operate. For efficient defogging or dehumidifying in cold weather, press the “A/C” button to operate the air conditioner compressor.
- Even when cooling is not necessary, setting the temperature much lower than the current outlet air

temperature turns on the air conditioner compressor automatically and the “A/C” indicator light on the control panel comes on.

### ■ Control panel



- 1) Air flow control dial
- 2) Fan speed control dial
- 3) Temperature control dial
- 4) Air conditioner button
- 5) Air inlet selection button
- 6) Rear window defogger button (Refer to the “Rear window defogger button” in chapter 3.)

– CONTINUED –

## ■ To use as full-automatic climate control system

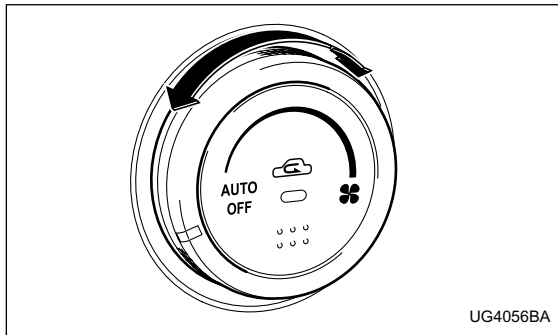
Place the temperature control dial in the position for your desired temperature, then set the other dials and buttons as described below. The system's functions will then switch to AUTO mode and be controlled automatically.

- Air flow control dial: AUTO position
- Fan speed control dial: AUTO position
- Air inlet selection button: Press for at least 1 second. (Indicator will flash twice.)
- Air conditioner button: Press for at least 1 second. (Indicator will flash twice.)

## ■ To use as semi-automatic climate control system

Each function can be individually set to AUTO mode independently of the others. Any function set to AUTO mode is controlled automatically. Any function not set to AUTO mode can be manually adjusted as desired. The temperature can be set within a range of 65 to 85°F (20 to 30°C).

## ■ Fan speed control dial



The fan operates only with the ignition switch in the ON position. The fan speed control dial is used to select the AUTO (automatic control) mode or to select the desired fan speed. The dial's positions and their functions are as follows:

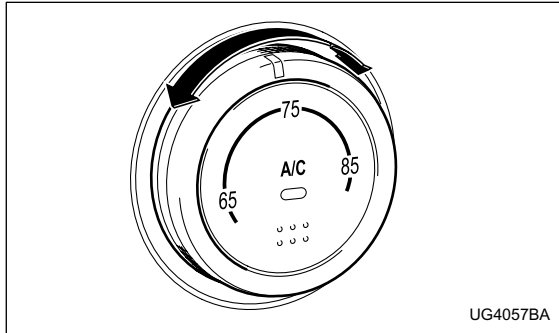
**OFF:** The fan does not operate.

**AUTO:** The fan speed is adjusted automatically in accordance with the air temperature inside and outside the passenger compartment, the intensity of sunlight, and other factors. SUBARU recommends using the AUTO position.

**Other positions:** The fan speed can be adjusted in 25 steps.

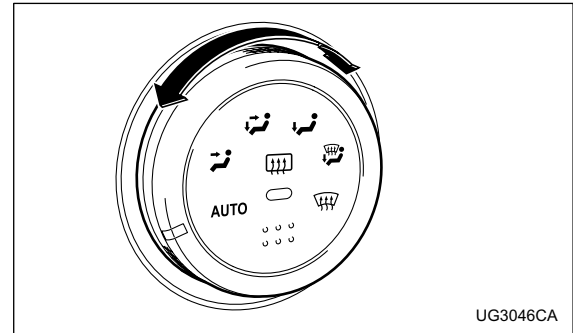
**NOTE**

With the fan speed control dial in the **AUTO** position and the air flow control dial in the “”, “”, or “” position, the fan does not operate during engine warmup until the engine coolant temperature exceeds approx. 122°F (50°C).

**■ Temperature control dial**

This dial is used to set the desired interior temperature. With the dial set to your desired temperature, the system automatically adjusts the temperature of air supplied from the outlets such that the desired temperature is achieved and maintained.

If the dial is turned fully counterclockwise, the system gives maximum cooling performance. If the dial is turned fully clockwise, the system gives maximum heating performance.

**■ Air flow control dial**


This dial has the following six positions. The outlets from which air is supplied in each position are as follows:

**AUTO:** The air flow control is adjusted automatically in accordance with the air temperature inside and outside the passenger compartment, the intensity of sunlight, and other factors. SUBARU recommends using

– CONTINUED –


the AUTO position.

: Instrument panel outlets



: Instrument panel outlets and foot outlets

: Foot outlets and windshield defroster outlets (relatively little air from windshield defroster outlets)

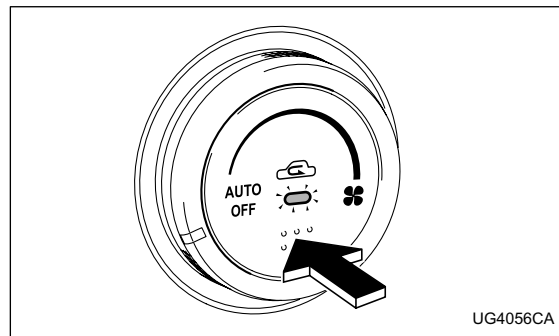
: Windshield defroster outlets and foot outlets

: Windshield defroster outlets

### NOTE

When the dial is placed in the “” or “” position, the air conditioner compressor operates automatically to defog the windshield quickly. At the same time, the air inlet selection is automatically set to “outside air” mode.

### ■ Air inlet selection button



**ON position (Recirculation):** Interior air is recirculated inside the vehicle. Push the air inlet selection button to the ON position for fast cooling with the air conditioner or when driving on a dusty road. The indicator light will come on.

**OFF position (Outside Air):** Outside air is drawn into the passenger compartment. Push the air inlet selection button to the OFF position when the interior has cooled to a comfortable temperature and the road is no longer dusty. The indicator light will go off.

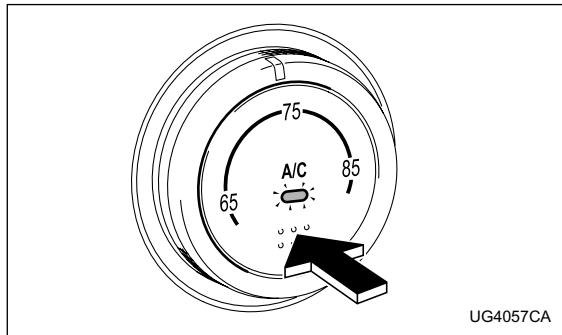
**AUTO:** When the air inlet selection button is pressed for at least one second, the indicator flashes twice. The air inlet control is then adjusted automatically in

accordance with the air temperature inside and outside the passenger compartment, the intensity of sunlight, and other factors. Pressing the air inlet selection button cancels the “AUTO” mode. SUBARU recommends using the AUTO position.

### **⚠ WARNING**

**Continued operation in the ON position may fog up the windows. Switch to the OFF position as soon as the outside dusty condition clears.**

## ■ Air conditioner button



The button's positions and their functions are as follows:

**ON:** The air conditioner operates while the fan is running.

Push the button to select this position. The indicator light will illuminate.

**OFF:** The air conditioner does not operate.

Push the button a second time to select this position. The indicator light will go off.

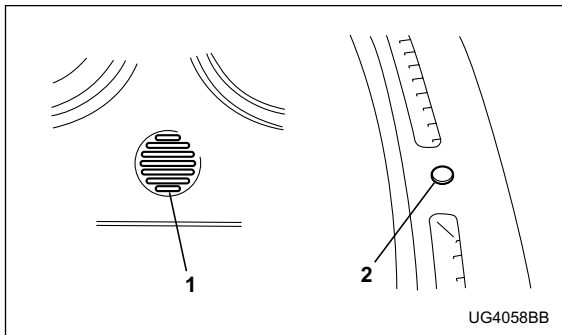
**AUTO:** When the button is pressed for at least one second, the indicator flashes twice. The air conditioner compressor operation is then adjusted automatically in accordance with the air temperature inside and outside the passenger compartment, the intensity of sunlight, and other factors. Pressing the button cancels the “AUTO” mode. SUBARU recommends using the AUTO position.

### **NOTE**

**The air conditioner's compressor does not operate with an outside temperature of 32°F (0°C) or lower.**

– CONTINUED –

## ■ Temperature sensors



- 1) Interior air temperature sensor
- 2) Solar sensor

The automatic climate control system employs several sensors. These sensors are delicate. If they are not treated properly and become damaged, the system may not be able to control the interior temperature correctly. To avoid damaging the sensors, observe the following precautions:

- Do not subject the sensors to impact.
- Keep water away from the sensors.
- Do not cover the sensors.

The sensors are located as follows:

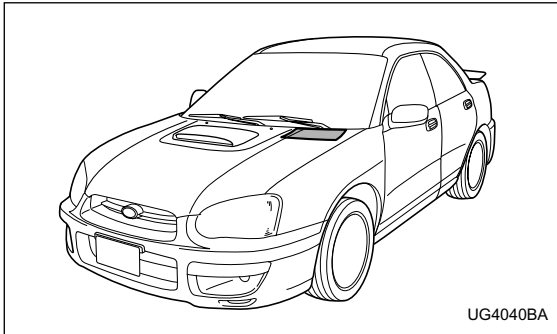
- Solar sensor: beside windshield defroster grille
- Interior air temperature sensor: beside the fan speed control dial
- Outside temperature sensor: behind front grille.

---

## Operating tips for heater and air conditioner

---

### ■ Cleaning ventilation grille



Always keep the front ventilation inlet grille free of snow, leaves, or other obstructions to ensure efficient heating and defrosting. Since the condenser is located in front of the radiator, this area should be kept clean because cooling performance is impaired by any accumulation of insects and leaves on the condenser.

### ■ Efficient cooling after parking in direct sunlight

After parking in direct sunlight, drive with the windows open for a few minutes to allow outside air to circulate into the heated interior. This results in quicker cooling by the air conditioner. Keep the windows closed during the operation of the air conditioner for maximum cooling efficiency.

### ■ Lubrication oil circulation in the refrigerant circuit

Operate the air conditioner compressor at a low engine speed (at idle or low driving speeds) a few minutes each month during the off-season to circulate its oil.

### ■ Checking air conditioning system before summer season

Check the air conditioner unit for refrigerant leaks, hose conditions, and proper operation each spring. This check is best performed by your SUBARU dealer.

---

– CONTINUED –



### ■ **Cooling and dehumidifying in high humidity and low temperature weather conditions**

Under certain weather conditions (high relative humidity, low temperatures, etc.) a small amount of water vapor emission from the air outlets may be noticed. This condition is normal and does not indicate any problem with the air conditioning system.

### ■ **Air conditioner compressor shut-off when engine is heavily loaded**

To improve acceleration and gas mileage, the air conditioner compressor is designed to temporarily shut off during air conditioner operation whenever the accelerator is fully depressed such as during rapid acceleration or when driving on a steep upgrade.

### ■ **Refrigerant for your climate control system**

Your air conditioner uses ozone friendly refrigerant HFC134a. Therefore, the method of adding, changing or checking the refrigerant is different from the method for CFC12 (Freon). Consult your SUBARU dealer for service. Repairs needed as a result of using the wrong refrigerant are not covered under warranty.

---

### **Air filtration system (Turbo model only)**

---

If your vehicle's air conditioning system is equipped with an air filtration system, replace the filter element according to the replacement schedule shown below. This schedule should be followed to maintain the filter's dust collection ability. Under extremely dusty conditions, the filter should be replaced more frequently. It is recommended that you have your filter checked or replaced by your SUBARU dealer. For replacement, use only a genuine SUBARU air filter kit.

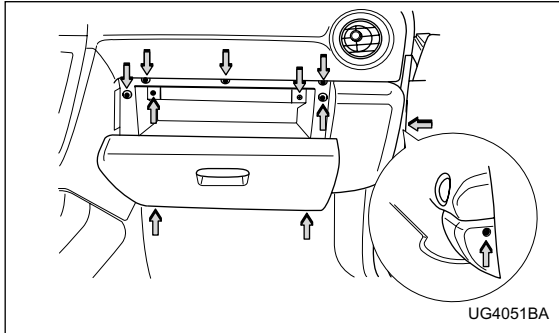
---

Replacement schedule:

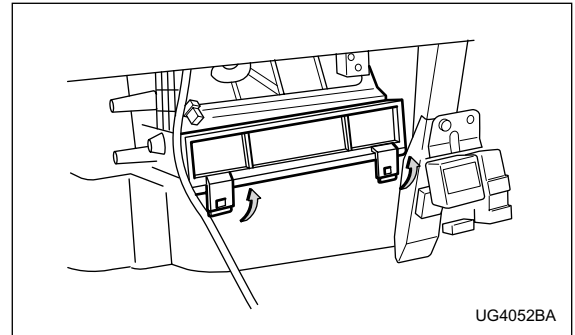
Every 12 months or 7,500 miles (12,000 km) whichever comes first

---

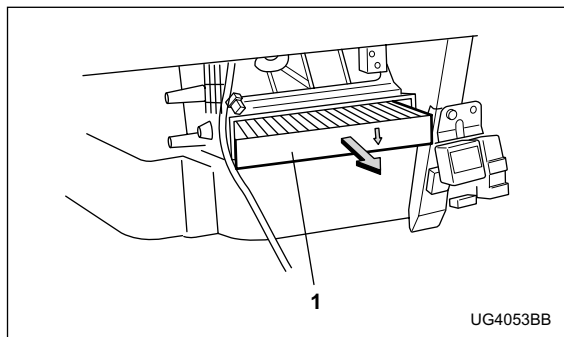
## ■ Replacing an air filter



1. Remove the glove box.
  - 1) Open the glove box.
  - 2) Remove the nine screws and the one clip securing the glove box.
  - 3) Disconnect the glove box light connector.

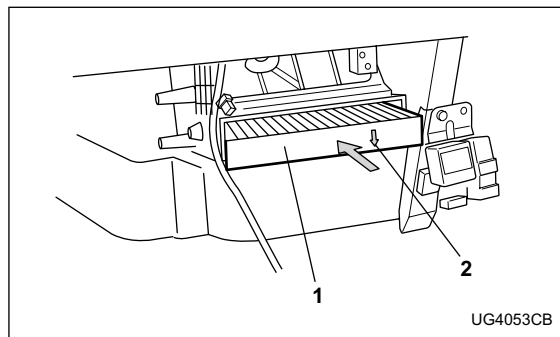


2. Unhook the hooks of the air filter cover and remove the cover.



1) Air filter element

3. Draw out the air filter element.



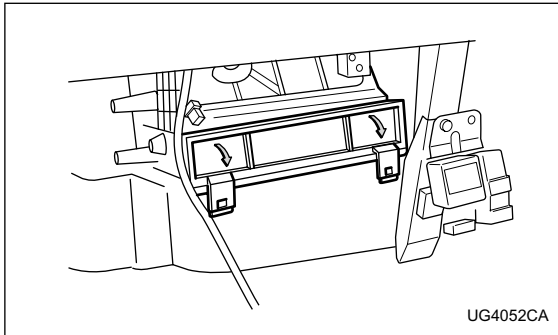
1) Air filter element

2) Arrow mark

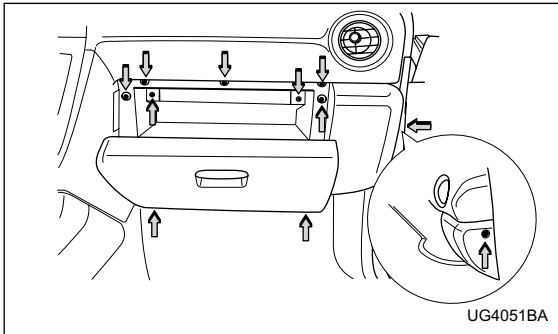
4. Replace the air filter element with new one.

**CAUTION**

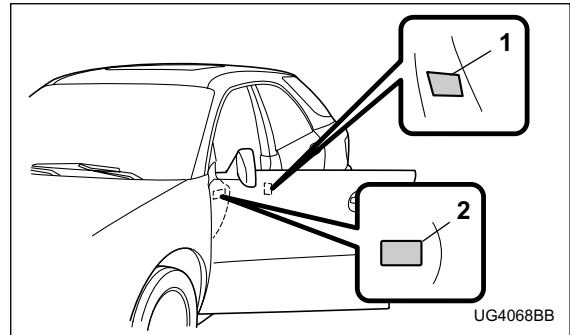
**The arrow mark on the filter must point down.**



5. Reinstall the air filter cover.



6. Connect the connector, and reinstall the glove box.
7. Close the glove box.



- 1) Service label
- 2) Caution label

8. LABEL installation

- 1) Fill out the information on the service label (small).
- 2) Attach the service label to the driver side door pillar and the caution label to the driver side end of the instrument panel.

**CAUTION**

Contact your dealer if the following occurs,

– CONTINUED –

even if it is not yet time to change the filter:

- Reduction of the air flow through the vents.
- Windshield gets easily fogged or misted.

**NOTE**

The filter can influence the air conditioning, heating and defroster performance if not properly maintained.

<b>Antenna system</b> .....	<b>5-2</b>
Printed antenna .....	5-2
FM reception .....	5-2
<b>Installation of accessories</b> .....	<b>5-3</b>
<b>Audio set</b> .....	<b>5-3</b>
Type A audio set .....	5-3
Type B audio set .....	5-4
In-dash 6 CD auto changer 1 (Optional audio unit – if equipped) .....	5-4
<b>Type A audio set (if equipped)</b> .....	<b>5-5</b>
Radio operation .....	5-5
Compact disc player operation .....	5-10
CD changer control (if optional in-dash CD changer is connected) .....	5-12
<b>Type B audio set (if equipped)</b> .....	<b>5-16</b>
Radio operation .....	5-16
Built in CD changer operation .....	5-22
<b>In-dash 6 CD auto changer 1 (if equipped)</b> .....	<b>5-27</b>
Loading and unloading compact discs .....	5-27
<b>Precautions to observe when handling a compact disc</b> .....	<b>5-30</b>

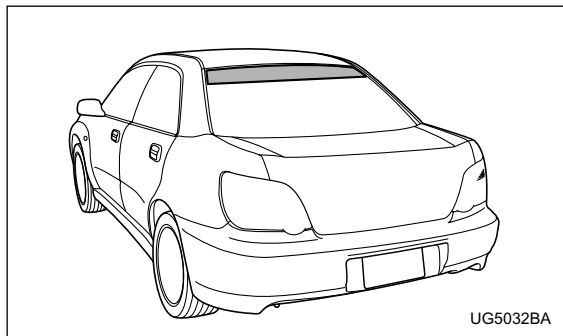
## Antenna system

### ■ Printed antenna

**⚠ CAUTION**

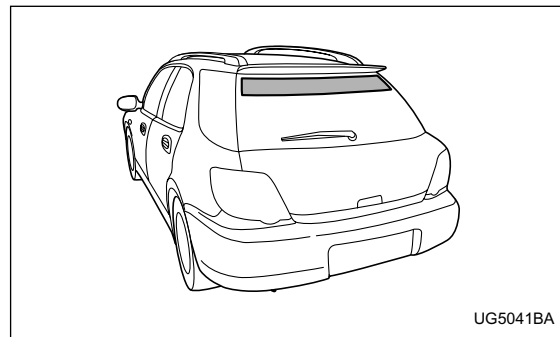
Do not use sharp instruments or window cleaner containing abrasives to clean the inner surface of the window on which the antenna is printed. Doing so may damage the antenna printed on the window.

#### ▼ Sedan



The antenna is printed on the inside of the rear window glass.

#### ▼ Wagon and OUTBACK SPORT



The antenna is printed on the inside of the rear window glass.

### ■ FM reception

Although FM is normally static free, reception can be affected by the surrounding area, atmospheric conditions, station strength and transmitter distance. Buildings or other obstructions may cause momentary static, flutter or station interference. If reception continues to be unsatisfactory, switch to a stronger station.

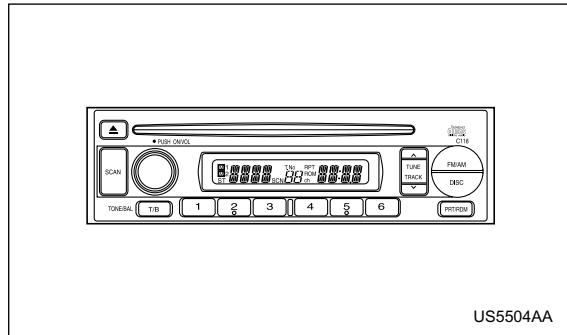
## Installation of accessories

Always consult your SUBARU dealer before installing a citizen band radio or other transmitting device in your vehicle. Such devices may cause the electronic control system to malfunction if they are incorrectly installed or if they are not suited for the vehicle.

## Audio set

Your SUBARU may be equipped with one of the following audio sets. See the pages indicated in this section for operating details.

### ■ Type A audio set

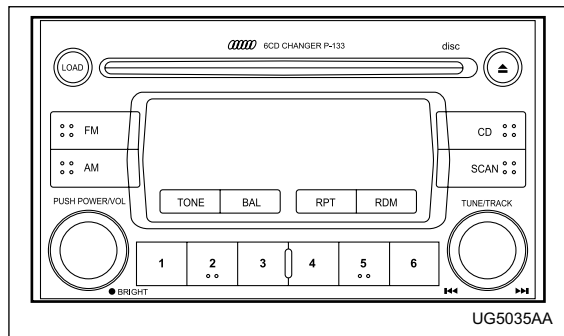


- Radio operation: refer to page 5-5
- Compact disc player operation: refer to page 5-10
- CD changer control: refer to page 5-12

– CONTINUED –

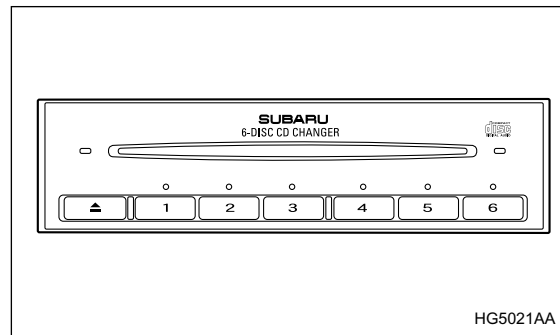


## ■ Type B audio set



- Radio operation: refer to page 5-16
- Built-in CD changer operation: refer to page 5-22

## ■ In-dash 6 CD auto changer 1 (Optional audio unit – if equipped)



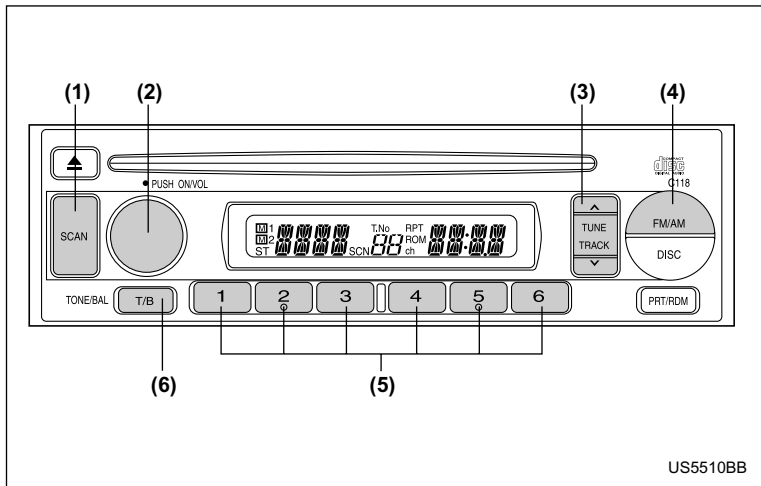
- Inserting and removing a disc or all discs: refer to page 5-27

## Type A audio set (if equipped)

The radio will operate only when the ignition switch is in the “ACC” or “ON” position.

### ■ Radio operation

- (1) SCAN button
- (2) Power switch, Volume control, Bass/Treble control and Fader/Balance control dial
- (3) Tuning buttons
- (4) FM/AM selection button
- (5) Preset buttons
- (6) Tone/Balance button



▼ **Power switch and volume/bass/treble/fader/  
balance control (PWR/VOL)**

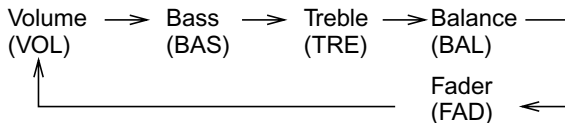
The dial (2) is used for both power (ON/OFF) and volume control. The radio is turned ON and OFF by pushing the dial and the volume is controlled by turning the dial.

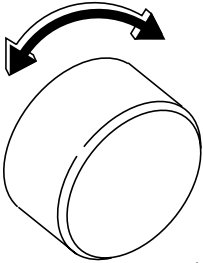
▽ **Tone and balance control**

The “VOLUME” control knob normally function as volume control. This knob become a control for Treble, Bass, Fader or Balance when you select the appropriate audio mode.

Choose desired volume level for each mode by turning the “VOLUME” control knob. The control function returns to volume control mode after about 5 seconds.

**To change control modes:** Each brief press of the “T/B” button changes control modes in the following sequence starting from volume control mode. (When the radio is first turned on, the control mode is in the volume control.)



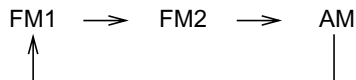
Display	Control mode	 HS5014BA	
		Turn counterclockwise	Turn clockwise
<b>BAS</b>	Bass control	For less bass sound	For more bass sound
<b>TRE</b>	Treble control	For less treble sound	For more treble sound
<b>BAL</b>	Balance control	To increase left speaker volume and decrease right speaker volume	To increase right speaker volume and decrease left speaker volume
<b>FAD</b>	Fader control	To increase rear speaker volume and decrease front speaker volume	To increase front speaker volume and decrease rear speaker volume
<b>VOL</b>	Volume control	For less volume	For more volume

– CONTINUED –

### ▼ FM/AM selection button (FM/AM)

Push the “FM/AM” button (4) when the radio is off to turn on the radio.

Push the “FM/AM” button when the radio is on to select FM1, FM2 or AM reception. Each time this button is pressed, the band will change in the following order:



The display indicates which one is currently selected.

### ▼ Stereo indicator

The stereo indicator “ST” will come on when an FM stereo broadcast is received.

### ▼ Manual tuning (TUNE)

Push the “^” side of the tuning button (3) to increase the tuning frequency and press the “v” side of the button to decrease it.

Each time the button is pressed, the frequency changes 10 KHz in the AM waveband and 0.2 MHz in the FM waveband.

Constant pressure on the button causes a continuous change in the frequency.

### ▼ Automatic tuning (SCAN)

Press the “SCAN” button (1) to change the radio to the SCAN mode. In this mode, the radio scans through the radio band until a station is found. The radio will stop at the station for five seconds while displaying the frequency, after which scanning will continue until the entire band has been scanned from the low end to the high end.

Press the “SCAN” button again to cancel the SCAN mode and to stop on any displayed frequency.

When the “SCAN” button is pressed for automatic tuning, stations are scanned in the direction of low frequencies to high frequencies only.

Automatic tuning may not function properly if the station reception is weakened by distance from the station or proximity to tall buildings and hills.

### ▼ Selecting preset stations

Presetting a station with a “Preset” button (5) allows you to select that station in a single operation. Up to six AM, FM1 and FM2 stations each may be preset.

### ▼ How to preset stations

1. Press the “FM/AM” selection button to select AM, FM1 or FM2 reception.
2. Press the “SCAN” button (1) or tune the radio manually until the desired station frequency is displayed.
3. Press one of the “Preset” buttons (5) for **at least 2**

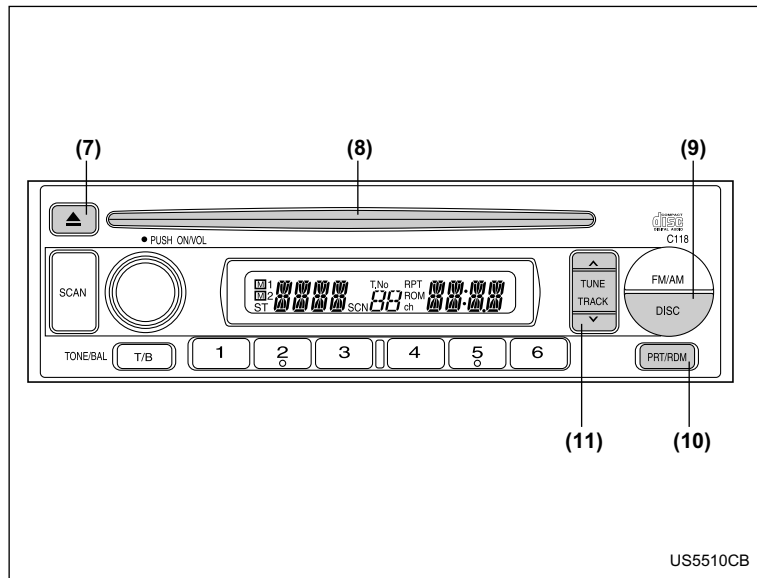
---

**seconds** to store the frequency. The frequency of the station will flash once on the display at this time. If the button is pressed for less than 2 seconds, the preceding selection will remain in memory.

### **NOTE**

- **If the connection between the radio and battery is broken for any reason such as vehicle maintenance or radio removal, all stations stored in the preset buttons are cleared. If this occurs, it is necessary to reset the preset buttons.**
- **If a mobile telephone is placed near the radio, it may cause the radio to emit noise when it receives calls. This noise does not indicate a radio fault.**

## ■ Compact disc player operation



- (7) Eject button
- (8) Disc slot
- (9) DISC button
- (10) Repeat/Random button
- (11) Track selection buttons

---

### ▼ To play back a compact disc

#### ▽ When CD is not in the player

Hold a disc with a finger in the center hole while gripping the edge of the disc, then insert it in to the slot (with the label side up) and the player will automatically pull the disc into position.

A single CD (8 cm/3 inch CD) may also be used without any adapter.

#### NOTE

- **Make sure to always insert a disc with the label side up. If a disc is inserted with the label side down, it might be ejected or the player might shut off.**
- **After the last song finishes, the player will automatically return to track 1 (the first song on the disc).**

#### ▽ When CD is in the player

Press the “DISC” button (9). The display will show “CD” and the player will start playback.

#### NOTE

**After the last song finishes, playback will automatically return to track 1 (the first song on the disc).**

### ▼ To select a song from its beginning

#### ▽ Forward direction

Briefly press the “ $\wedge$ ” side of the button (11) to skip to the beginning of the next track. Each time this side of the button is pressed, the indicated track number will increase.

#### ▽ Backward direction

Briefly press the “ $\vee$ ” side of the button (11) to skip to the beginning of the current track. Each time this side of the button is pressed, the indicated track number will decrease.

### ▼ Fast-forwarding and fast-reversing

#### ▽ Fast-forwarding

Press the “ $\wedge$ ” side of the button (11) continuously for more than 1 second to fast-forward the disc. Release the button to stop fast-forwarding.

#### ▽ Fast-reversing

Press the “ $\vee$ ” side of the button (11) continuously for more than 1 second to fast-reverse the disc. Release the button to stop fast-reversing.

### ▼ Repeat playback

Press the “RPT/RDM” button (10) and release it in less than 2 seconds while a song is playing to play the song

– CONTINUED –



repeatedly. The “RPT” indicator will come on and the song will be played continuously. To cancel the repeat mode, press the button again. Then the “RPT” indicator goes out, and normal playback mode is restored.

### ▼ Random playback

Press the “RPT/RDM” button (10) and hold it in for more than 2 seconds while a disc is being played back to play all songs on the disc in a random order. The “RDM” indicator will come on and all songs on the disc will be played in a random order.

To cancel the random mode, press the button again. Then the “RDM” indicator goes out, and normal playback mode is restored.

### ▼ To eject a disc from the player

When a disc is being played back or when a disc is in the player, press “Eject” button “▲” (7). The disc will be ejected.

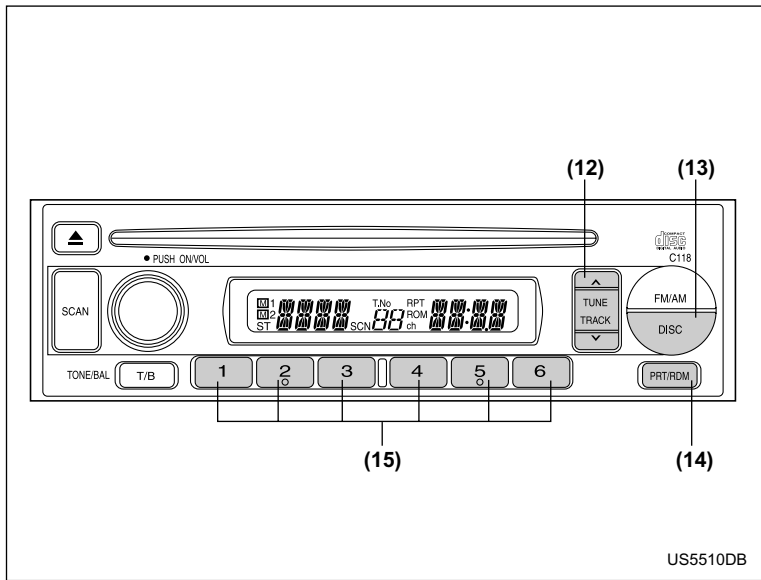
The disc may be removed even when the ignition switch is in the “LOCK” position.

## NOTE

**Avoid driving the vehicle with a CD sticking out, because vibration might make it fall out.**

## ■ CD changer control (if optional in-dash CD changer is connected)

An optional CD changer can be connected to this audio unit. Consult the instructions that accompany the CD changer for operating the CD changer itself (e.g., how to load or unload CDs). See your SUBARU dealer for more information.



- (12) Track selection buttons
- (13) DISC button
- (14) Repeat/Random button
- (15) Disc select button

### ▼ To start playback

When the “DISC” button (13) is pressed, the CD changer will start playback. The display shows the current disc number, track number and the elapsed time during playback.

### NOTE

- If a disc is in the player, the “DISC” button is used to change from CD player operation to DISC changer operation. Each time the “DISC” button is pressed, the operating mode will change alternately.
- At the end of the disc, the player automatically continues with the next disc.
- After playback on the last disc finishes, playback will automatically return to the first disc.
- If you have loaded fewer than 6 discs, any missing disc is automatically skipped.

### ▼ Selection of a desired disc

You can select a desired disc from among the discs contained in the CD changer only by pressing the corresponding number on one of the “Disc select” buttons (15). If you are to listen to the 5th disc in the CD changer, press the “5” button of the “Disc select” buttons (15). All other discs in the CD changer can also be selected in a similar way.

### NOTE

- No disc change takes place if the button corresponding to the storage tray in which no disc is loaded is pressed.
- If the disc select button corresponding to the disc now in playback is pressed again, the disc will be replayed from its beginning.

### ▼ To select a song from its beginning

#### ▽ Forward direction

Briefly press the “ ^ ” side of the button (12) to skip to the beginning of the next track. Each time this side of the button is pressed, the indicated track number will increase.

#### ▽ Backward direction

Briefly press the “ v ” side of the button (12) to skip to the beginning of the current track. Each time this side of the button is pressed, the indicated track number will decrease.

### ▼ Fast-forwarding and fast-reversing

#### ▽ Fast-forwarding

Press the “ ^ ” side of the button (12) continuously for more than 1 second to fast-forward the disc. Release the button to stop fast-forwarding. If you continue fast-forwarding to the end of the disc,

---

the CD changer will automatically stop fast-forwarding and start playback beginning with the first track on the current disc.

#### ▽ **Fast-reversing**

Press the “ √ ” side of the button (12) continuously for more than 1 second to fast-reverse the disc. Release the button to stop fast-reversing.

If you continue fast-reverse to the beginning of the disc, the CD changer will automatically stop fast-reverse and start playback beginning with the first track on the current disc.

#### ▼ **Repeat playback**

Use this to play a certain track repeatedly. During playback, press the “RPT/RDM” button (14) and release it in less than 2 seconds. The “RPT” indicator will come on and the song will be played continuously. To cancel the repeat mode, press the button again. Then the “RPT” indicator goes out, and normal playback mode is restored.

#### ▼ **Random playback**

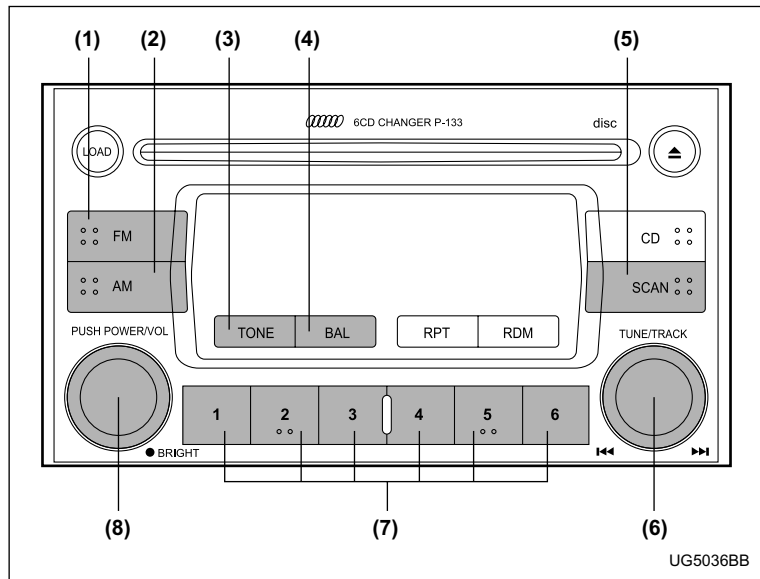
Use this to play the tracks on the disc in random order. During playback, press the “RPT/RDM” button (14) and hold it in for more than 2 seconds. The “RDM” indicator will come on and all songs on the disc will be played in a random order.

To cancel the random mode, press the button again. Then the “RDM” indicator goes out, and normal playback mode is restored.

## Type B audio set (if equipped)

The radio will operate only when the ignition switch is in the “ACC” or “ON” position.

### ■ Radio operation



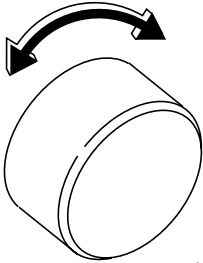
- (1) FM button
- (2) AM button
- (3) Tone selection button
- (4) Balance selection button
- (5) SCAN button
- (6) Tuning knob
- (7) Preset buttons
- (8) Power switch, Volume control, Bass/Midrange/Treble control and Fader/Balance control dial

---

▼ **Power switch and volume/bass/treble/fader/  
balance control (PWR/VOL)**

The dial (8) is used for both power (ON/OFF) and volume control. The radio is turned ON and OFF by pushing the dial and the volume is controlled by turning the dial.

This dial is used for bass/midrange/treble controls when the "TONE" button (3) is in the depressed position. It is also used for fader/balance controls when the "BAL" button (4) is in the depressed position.

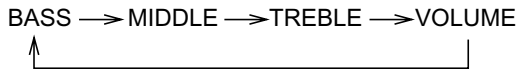
Display	Control mode	 HS5014BA	
		Turn counterclockwise	Turn clockwise
<b>BASS</b>	Bass control	For less bass sound	For more bass sound
<b>MIDDLE</b>	Midrange control	For less midrange sound	For more midrange sound
<b>TREBLE</b>	Treble control	For less treble sound	For more treble sound
<b>BALANCE</b>	Balance control	To increase left speaker volume and decrease right speaker volume	To increase right speaker volume and decrease left speaker volume
<b>FADER</b>	Fader control	To increase rear speaker volume and decrease front speaker volume	To increase front speaker volume and decrease rear speaker volume
<b>VOLUME</b>	Volume control	For less volume	For more volume

### ▽ Tone control

The volume control dial (8) normally function as volume control. The dial become a control for Bass, Midrange or Treble when you select the appropriate tone control mode.

Choose desired level for each mode by turning the volume control dial. The control function returns to volume control mode after about 5 seconds.

**To change control modes:** Each brief press of the “TONE” button (3) changes control modes in the following sequence starting from bass control mode. (When the radio is first turned on, the control mode is in the volume control.)



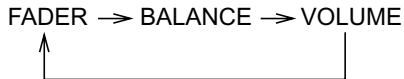
### ▽ Fader and balance control

The volume control dial (8) normally function as volume control. The dial become the controls for Fader or Balance when you select the appropriate fader and balance control mode.

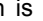
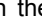
Choose desired setting for each mode by turning the volume control dial. The control function returns to volume control mode after about 5 seconds.

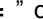
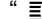
**To change control modes:** Each brief press of the

“BAL” button (4) changes control modes in the following sequence starting from fader control mode. (When the radio is turned on, the control mode is in the volume control.)



### ▽ Display illumination dimness cancellation (BRIGHT)

The brightness of the radio display dims when the light switch is in the “ ” or “ ” positions. If this makes the display difficult to read, press the volume dial for more than 1.5 seconds to return the display to original brightness.

Subsequently pressing the volume dial again for more than 1.5 seconds or if you can safely do so, turning the light switch to the OFF position and back to the “ ” or “ ” position makes the radio display dim again.

### ▼ FM/AM selection button

Push the “FM” (1) or “AM” (2) button when the radio is off to turn on the radio.

Push the “FM” or “AM” button when the radio is on to select FM1, FM2 or AM reception.

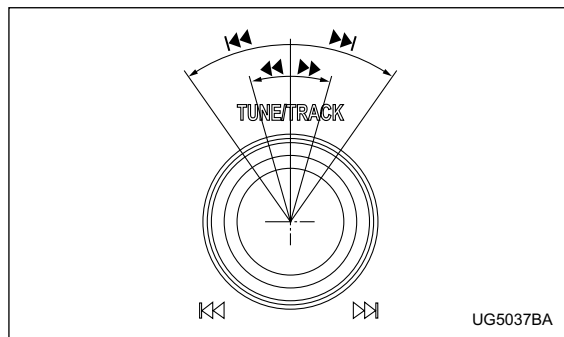
– CONTINUED –



▼ **Stereo indicator**

The stereo indicator “ST” will come on when an FM stereo broadcast is received.

▼ **Manual tuning (TUNE)**



- ▶▶ : Tuning to a higher frequency
- ◀◀ : Tuning to a lower frequency
- ▶▶▶▶ : Seeking the next higher station
- ◀◀◀◀ : Seeking the next lower station

▽ **Manual tuning**

Turn the tuning knob (6) clockwise and release it immediately to increase the tuning frequency and turn the tuning knob counterclockwise and release it immediately

to decrease the tuning frequency.

Each time the knob is turned, the frequency changes 10 kHz in the AM waveband and 0.2 MHz in the FM waveband.

▽ **Seek tuning**

Turn the tuning knob (6) and hold it for more than a half second. Seek tuning will operate and stop automatically on the next station.

Continue this operation until you find the desired station.

▼ **Automatic tuning (SCAN)**

Press the “SCAN” button (5) to change the radio to the SCAN mode. In this mode, the radio scans through the radio band until a station is found. The radio will stop at the station for five seconds while displaying the frequency, after which scanning will continue until the entire band has been scanned from the low end to the high end.

Press the “SCAN” button again to cancel the SCAN mode and to stop on any displayed frequency.

When the “SCAN” button is pressed for automatic tuning, stations are scanned in the direction of low frequencies to high frequencies only.

Automatic tuning may not function properly if the station reception is weakened by distance from the station or proximity to tall buildings and hills.

---

### ▼ Selecting preset stations

Presetting a station with a “Preset” button (7) allows you to select that station in a single operation. Up to six AM, FM1 and FM2 stations each may be preset.

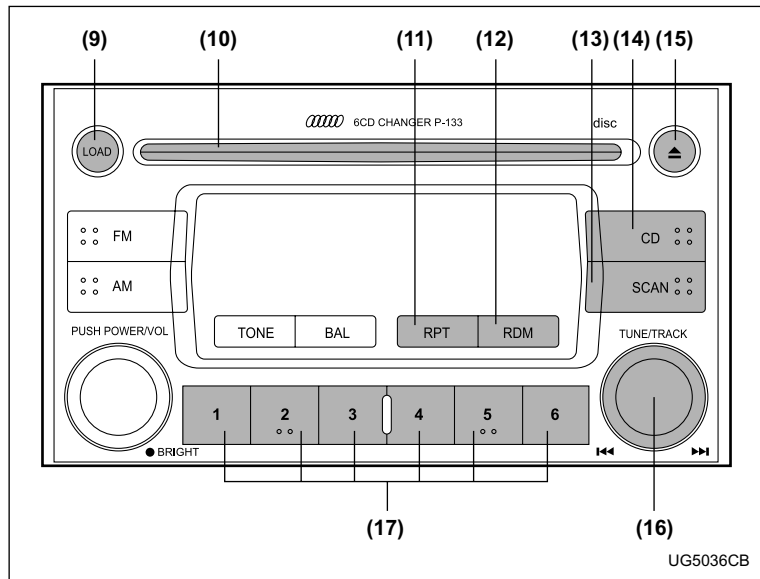
### ▼ How to preset stations

1. Press the “FM/AM” selection button to select AM, FM1 or FM2 reception.
2. Press the “SCAN” button (5) or tune the radio manually until the desired station frequency is displayed.
3. Press one of the “Preset” buttons (7) for **at least 1.5 seconds** to store the frequency. The frequency of the station will flash once on the display at this time. If the button is pressed for less than 1.5 seconds, the preceding selection will remain in memory.

### NOTE

- **If the connection between the radio and battery is broken for any reason such as vehicle maintenance or radio removal, all stations stored in the preset buttons are cleared. If this occurs, it is necessary to reset the preset buttons.**
- **If a mobile telephone is placed near the radio, it may cause the radio to emit noise when it receives calls. This noise does not indicate a radio fault.**

## ■ Built in CD changer operation



- (9) LOAD button
- (10) Disc slot
- (11) Repeat button
- (12) Random button
- (13) SCAN button
- (14) CD button
- (15) Eject button
- (16) Fast-forwarding/Fast-reversing and track UP/DOWN knob
- (17) Disc select button

**NOTE**

**Make sure to always insert a disc with the label side up. If a disc is inserted with the label side down, it might be ejected or the player might shut off.**

**▼ How to insert a CD(s)****▽ Inserting a CD**

1. Press “LOAD” button (9). If the magazine in the player has an idle position where you can insert a disc, the “DISC” indicator associated with the idle position will blink.

If no indicator blinks, it means that there is no idle position in the magazine.

2. As soon as the “DISC” indicator begins to blink, the “LOAD” will appear on display for a period of 15 seconds. Insert a disc during the period. The disc will be then automatically drawn in, and the player will begin to play back the first track of the disc.

- To insert more discs in succession, repeat Steps 1 and 2. The magazine will be loaded with discs in the ascending order of position number.

If you do not insert any disc in 15 seconds after you have pressed the “LOAD” button, the player will begin to play back the first track of the last disc you have inserted.

- The disc indicator steadily lights up if a disc is already inserted in the corresponding position of the magazine.

- While the player is in the loading mode, if you press any of the other mode buttons “FM” (1), “AM” (2), the player will enter the standby mode. Press the “CD” button (14) to start playback.

**▽ Inserting a disc in a desired position**

1. Press the “LOAD” button (9). If the magazine in the player has an idle position where you can insert a disc, the “DISC” indicator associated with the idle position will blink.

The positions in the magazine the indicator of which steadily lights up are already loaded with discs.

2. Press the “Disc select” button (17) at the position where you want to insert a disc. The associated “DISC” indicator will blink, and the “LOAD” will be displayed.

3. If you insert a disc during the 15-second period while the “LOAD” is on display, the disc will be automatically drawn in, and the player will start playback of the disc, beginning with the first track.

- To insert more discs in succession, repeat Steps 1 and 2.

- While the player is in the loading mode, if you press any of the other mode buttons “FM” (1), “AM” (2), the

– CONTINUED –

player will enter standby mode. Press the “CD” button (14) to start playback.

#### ▽ **Loading all the magazine (Full disc loading mode)**

1. If you continue to press the “LOAD” button (9) for more than 1.5 seconds, the player will produce beep sound and will enter the full disc loading mode.
  2. A “DISC” indicator will blink, and the “ALL LOAD” will be on display for a period of 15 seconds. If a disc is successfully loaded during this period, the “DISC” indicator will stop blinking and will steadily light.
  3. When the loading of a disc is complete, the next “DISC” indicator will blink. Then repeat Step 2.
  4. When the magazine is filled with discs by repeating Steps 2 and 3, the player will start playback of the discs, beginning with the one inserted first.
- If you fail to insert any disc during each 15 seconds interval, the full disc loading mode will be canceled, and the player will start playback of the disc inserted first.

#### ▼ **How to play back a CD or make a pause**

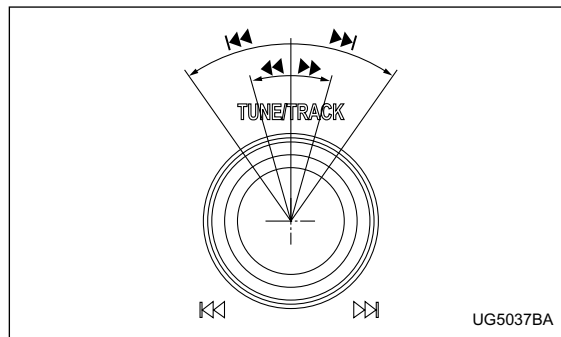
##### ▽ **When there is no CD inserted:**

Insert a CD by referring to “How to Insert a CD(s)”. When a CD is loaded, the player will start playback of the CD, beginning with the first track.

##### ▽ **When there are CDs loaded:**

Press a desired one of the “Disc select” buttons (17) the “DISC” indicator of which steadily lights up. The player will then start playback of the selected CD, beginning with the first track.

##### ▼ **Selecting a desired track (TRACK)**



- ⏭ : Skipping forward
- ⏮ : Skipping backward
- ⏩ : Fast-forwarding
- ⏪ : Fast-reversing

##### ▽ **Skipping forward**

Turn the “TRACK” knob (16) clockwise and release it

immediately to skip to the beginning of the next track. Each time the knob is turned and released, the indicated track number will increase.

#### ▽ **Skipping backward**

Turn the “TRACK” knob (16) counterclockwise and release it immediately to skip to the beginning of the current track. If you continue to turn and release the knob, the indicated track number will decrease.

#### ▽ **Fast-forwarding**

Turn the “TRACK” knob (16) clockwise and hold it continuously for more than 2 seconds to fast-forward the disc.

Release the knob to stop fast-forwarding.

#### ▽ **Fast-reversing**

Turn the “TRACK” knob (16) counterclockwise and hold it continuously for more than 2 seconds to fast-reverse the disc.

Release the knob to stop fast-reversing.

#### ▼ **Repeat playback**

Press the “RPT” button (11) while a song is playing to play the song repeatedly. The “RPT” indicator will come on and the song will be played continuously. To cancel the repeat mode, press the button again. Then the “RPT” indicator goes out, and normal playback

mode is restored.

#### ▼ **Random playback**

Press the “RDM” button (12) while a disc is being played back to play all songs on the disc in a random order. The “RDM” indicator will come on and all songs on the disc will be played in a random order.

To cancel the random mode, press the button again. Then the “RDM” indicator goes out, and normal playback mode is restored.

#### ▼ **Scan**

When the “SCAN” button (13) is pressed while the disc is being played back, you can hear the first 10 seconds of each track to search for the desired program. To continue listening to the program, press the “SCAN” button again. After all tracks on the disc have been scanned, normal playback mode is restored.

#### ▼ **How to unload CDs from the player**

##### ▽ **Ejecting a CD from the player**

Of the discs loaded, you can select and remove only one disc.

1. Press the “Disc select” button (17) of the disc whose “DISC” indicator is ON.
2. Press the “Eject” button (15). Then the “DISC” indicator associated with the disc you have selected will

– CONTINUED –

blink, and the disc will be ejected.

To remove more discs in succession, repeat Steps 1 and 2.

▽ **Ejecting all discs from the player (All disc ejection mode)**

1. If you continue to press the “Eject” button (15), the player will produce beep sound and will enter the all disc ejection mode.

2. Remove the disc that has been ejected. The other discs loaded will then be ejected one after another. If you do not remove the disc that has been ejected, the “All disc ejection mode” will be canceled.

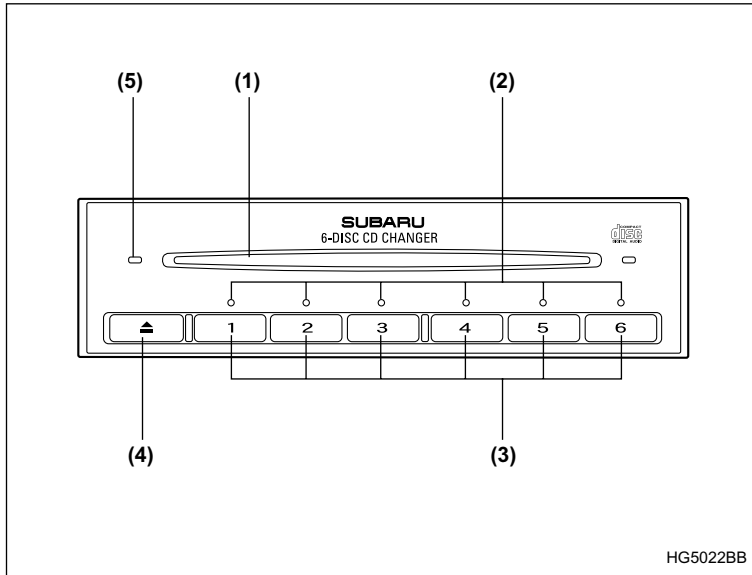
**NOTE**

**Avoid driving the vehicle with a CD sticking out, because vibration might make it fall out.**

## In-dash 6 CD auto changer 1 (if equipped)


### ■ Loading and unloading compact discs

- (1) Disc slot
- (2) Disc indicators (disc No.1 to 6)
- (3) Disc select buttons (disc No.1 to 6)
- (4) Eject button
- (5) Disc slot indicator





**⚠ CAUTION**

- Do not attempt to insert two or more discs into the slot at a time. Doing so can cause mechanical damage to the CD changer.
- Use only music CDs identified by a  mark.
- Do not use CDs listed below which could cause damage to the CD player.
  - 3 inch (8 cm) compact disc.
  - Any disc with a peel-off or seal on it.
  - Any disc with scratches and/or dust.
  - Bent disc.
  - Cleaning disc.
  - CD accessory. (E.g., 3 inch (8 cm) disc adapter)
- Do not insert or remove any disc when the automatic transmission selector lever is in the park position; the selector lever in that position can interfere with disc insertion or removal, causing scratches on the disc surface (for AT vehicles).

**▼ To insert a disc**

1. Press one of the “Disc select” buttons (3) (numbered from 1 to 6) for which the disc indicator light (2)

is “OFF”.

The disc indicator lights are located directly above the corresponding “Disc select” buttons.

2. The indicator will begin blinking. The blinking will last for 15 seconds.

During this period, insert a desired disc, and the disc will begin to play. (If any disc is not inserted during this period, the “Disc slot” (1) door will close. Repeat Step 1.)

Be sure to hold a disc with the label side (the side where titles are printed) up.

3. To insert another disc, repeat Steps 1 and 2 choosing a different disc select button.

**▼ To insert six discs at a time**

1. Press and hold the “Disc select” button number 1 until all disc indicators begin blinking (about 1.5 seconds).
2. The indicators will blink for 15 seconds. During this period, insert desired six discs.
3. When all discs are loaded, the first disc will begin to play. (If no disc is inserted within this 15 seconds, the entire disc load sequence will be canceled.)

**▼ To remove a disc**

1. Press the desired one of the “Disc select” buttons (3) (numbered from 1 to 6) for which the disc indicator light is on.

---

2. Press the “Eject” button (4). The selected disc will be ejected and the indicator light will begin blinking.

3. To remove another disc, repeat Steps 1 and 2 choosing a different “Disc select” button.

(To remove discs when the ignition switch is in the “Lock” position, press the “Eject” button, and the first disc will be ejected. Press the “Eject” button again, and the next disc will be ejected and so on. At this time, the “Disc select” buttons are disabled.)

#### ▼ To remove all discs at one time

1. Press and hold the “Eject” button (4) until all “Disc” indicators begin blinking (about 1.5 seconds), and the first disc will be ejected.

2. When the disc is removed, the next one will be ejected, and so on.

#### ▼ To replace a playing disc with another

Simply press the desired one of “Disc select” buttons (3) (numbered from 1 to 6) or press the “Disc select” button on the radio unit to select the desired disc, and the disc will begin to play.

#### ▼ Disc indicators

Lit: when the corresponding storage tray is occupied by a disc.

Blinking: Disc player is either in loading, eject or changing mode.

OFF: No disc is loaded or the ignition switch is in the “LOCK” position.

#### ▽ Open/Closed disc slot indicator

When the disc slot is open, the disc indicators on both sides of the slot illuminate.

#### ▼ Function control

Refer to CD changer control operating instructions described in the “Type B audio set (if equipped)” section.

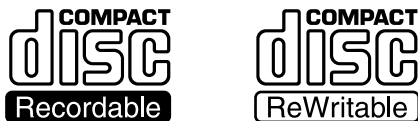
## Precautions to observe when handling a compact disc

Use only compact discs (CDs) that have the mark shown below.



HS5017AA

You may also use compact discs (CD-Rs and CD-RWs) that have the following marks, but you may not use some discs if they were produced using writing methods not compatible with your vehicle's audio system.

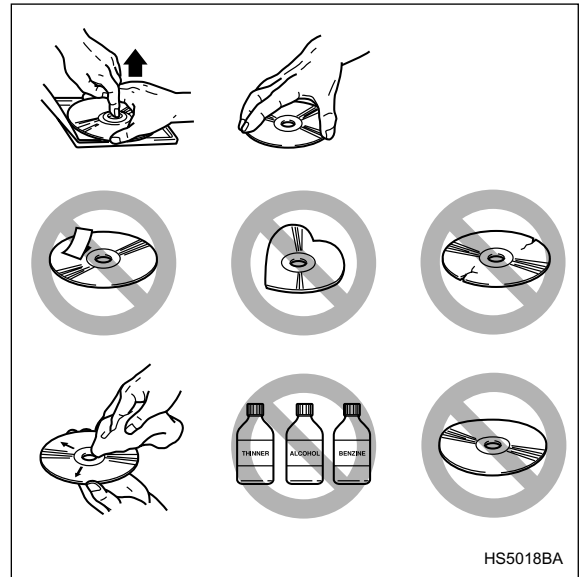


UG5040AA

- In cold and/or rainy weather, dew can form inside the CD player, preventing normal operation. If this happens, eject the CD and wait for the player to dry out.
- Skipping may occur when the CD player is subjected to severe vibration (for example, when the vehicle is driven on a rough surface).
- To remove a disc from the case, press the center of the disc and hold both edges of the disc. If the disc

surface is touched directly, contamination could cause poor tone quality. Do not touch the disc surface.

- Use a clean disc whenever possible. If there are deposits, wipe the disc surface from the center outward with a dry, soft cloth. Be sure not to use a hard cloth, thinner, benzene, alcohol, etc.
- Do not use any disc that is scratched, deformed, or cracked. Also, do not use any disc that has a non-standard shape (for example, a heart shape). Malfunctions or problems might result.
- A disc is vulnerable to heat. Never keep it either in places exposed to direct sunlight, near heaters or in vehicles parked in the sun or hot days.



---

---

---

---

---

---

---

---

---

---

---

---

---

# Interior equipment

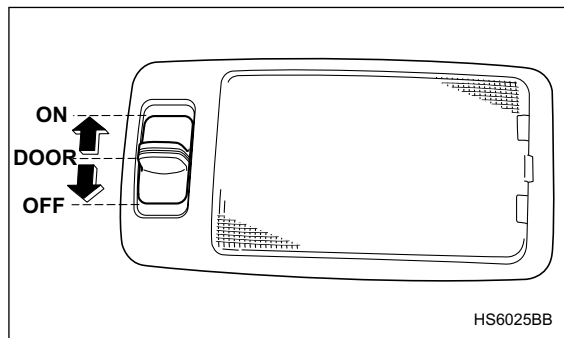
---

<b>Interior light</b> .....	6-2
Dome light .....	6-2
Cargo area light (if equipped) .....	6-2
<b>Map light (if equipped)</b> .....	6-3
<b>Sun visors</b> .....	6-4
Vanity mirror (if equipped) .....	6-4
<b>Storage compartments</b> .....	6-5
Glove box .....	6-5
Center console .....	6-6
Coin tray .....	6-6
<b>Cup holder</b> .....	6-7
Front passenger's cup holder .....	6-7
Rear passenger's cup holder .....	6-7
<b>Accessory power outlet (if equipped)</b> .....	6-8
<b>Cigarette lighter socket</b> .....	6-9
Use with a cigarette lighter .....	6-10
Using as an accessory power outlet .....	6-11
<b>Ashtray</b> .....	6-12
<b>Floor mat (if equipped)</b> .....	6-13
<b>Coat hook</b> .....	6-14
<b>Cargo area cover (if equipped)</b> .....	6-14
Using the cover .....	6-14
To remove the cover .....	6-15
Stowage of the cover .....	6-16
To install the cover housing .....	6-16
<b>Cargo tie-down hooks (if equipped)</b> .....	6-17
<b>Under-floor storage compartment (if equipped)</b> .....	6-18

## Interior light

When leaving your vehicle, make sure the light goes out to avoid battery discharge.

### ■ Dome light



The dome light switch has three positions:

**ON:** The light stays on continuously.

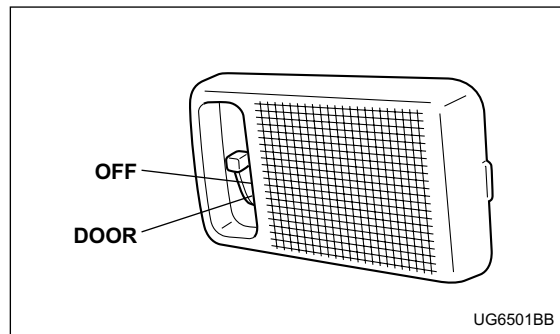
**DOOR (middle position):** The dome light comes on when any of the doors (or the rear gate on wagon) is opened. The light remains on for several seconds and gradually goes out after all doors (and the rear gate on the wagon) are closed or if the key is inserted in the ig-

nition switch.

The light also can be turned on by use of the remote keyless entry transmitter. See the "Remote keyless entry system" in chapter 2 for detailed information.

**OFF:** The light stays off.

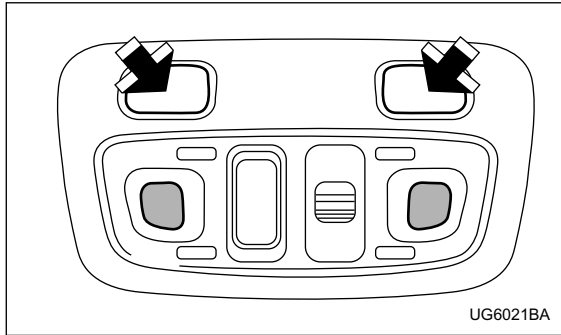
### ■ Cargo area light (if equipped)



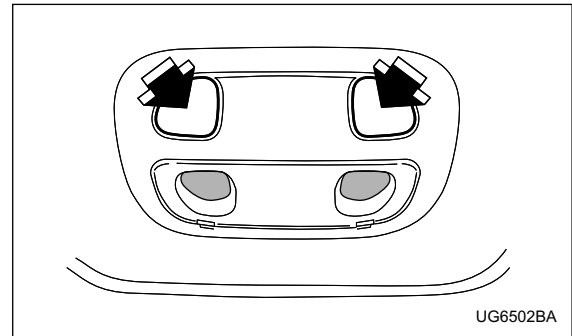
**DOOR:** The light comes on only when the rear gate is opened.

**OFF:** The light stays off.

## Map light (if equipped)



**Vehicle with moonroof**



**Vehicle without moonroof**

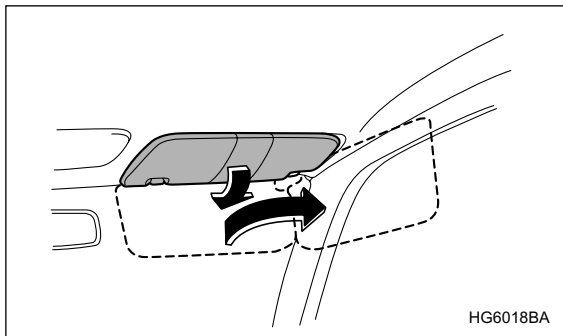
To turn on the map light, push the switch.  
To turn it off, push the switch again.

When leaving the vehicle, make sure the light is turned off to avoid battery discharge.



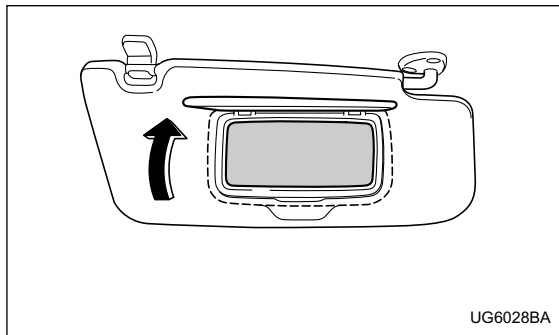
## Sun visors

---



To block out glare, swing down the visors.  
To use the sun visor at a side window, swing it down and move it sideways.

## ■ Vanity mirror (if equipped)



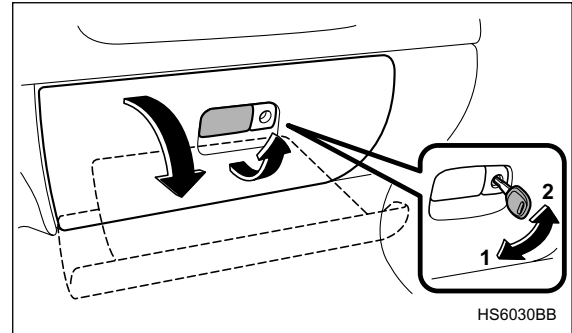
To use the vanity mirror, swing down the sun visor and open the vanity mirror cover.

## Storage compartments

### ⚠ CAUTION

- Always keep the storage compartment closed while driving to reduce the risk of injury in the event of sudden stops or an accident.
- Do not store spray cans, containers with flammable or corrosive liquids or any other dangerous items in the storage compartment.

## ■ Glove box

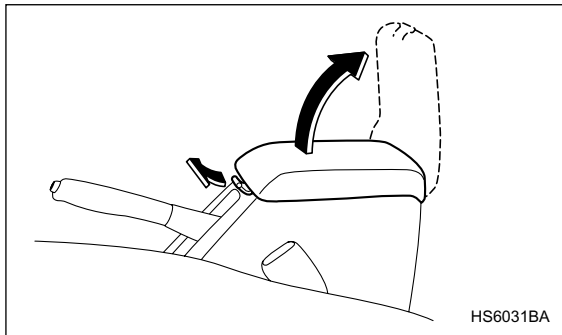


- 1) Lock
- 2) Unlock

To open the glove box, pull the handle. To close it, push the lid firmly upward.

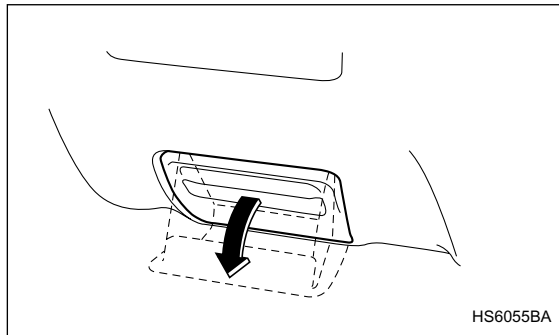
To lock the glove box, insert the key and turn it clockwise.

### ■ Center console



To open the lid, pull up the lock release.

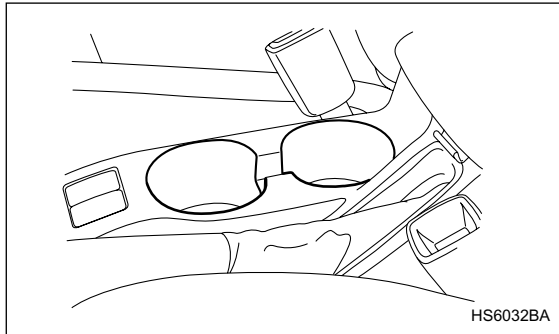
### ■ Coin tray



To open the coin tray, pull the upper edge of the lid.

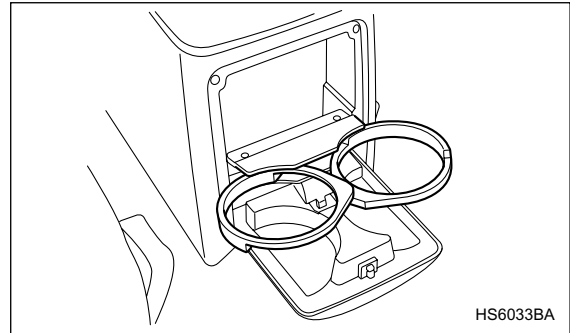
## Cup holder

### ■ Front passenger's cup holder



A dual cup holder is built in the center console, beside the parking brake lever.

### ■ Rear passenger's cup holder



A dual cup holder is located at the back of the center console. To use the cup holder, open the lid by pulling its upper edge.

### CAUTION

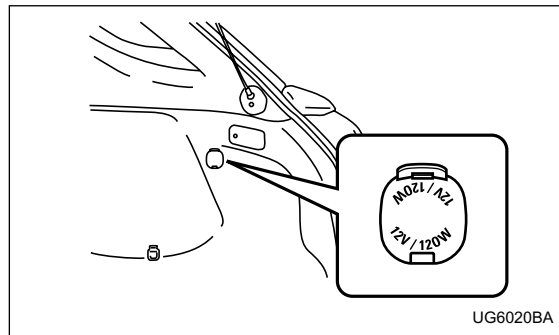
- Do not pick up a cup from the cup holder or put a cup in the holder while you are driving, as this may distract you and lead to an accident.
- Take care to avoid spills. Beverages, if hot, might burn you or your passengers. Spilled beverages may also damage upholstery, car-

– CONTINUED –

pets or audio equipment.

## **Accessory power outlet (if equipped)**

---



Accessory power outlet is provided in the cargo area (if equipped).

Electrical power (12V DC) from the battery is available at the socket when the ignition switch is either in the “ACC” or “ON” position.

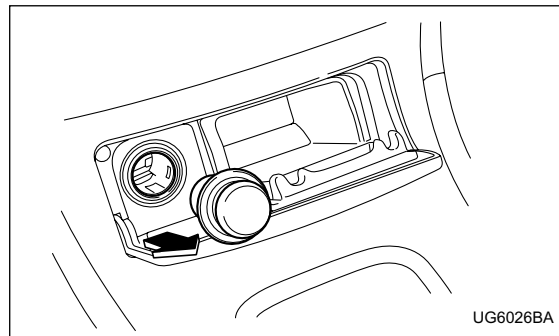
You can use an in-car use electrical appliance by connecting it to the accessory power outlet.

** CAUTION**

- Do not attempt to use a cigarette lighter in the accessory power outlet.

- Do not place any foreign objects, especially metal ones such as coins or aluminum foil, into the accessory power outlet. That could cause a short circuit. Always put the cap on the accessory power outlet when it is not in use.
- Use only electrical appliances which are designed for 12V DC and which consume less than 120W. Overloading the accessory power outlet can cause a short circuit. Do not use double adapters or more than one electrical appliance.
- If the plug on your electric appliance is either too loose or too tight for the accessory power outlet, this can result in a poor contact or cause the plug to get stuck. Only use plugs that fit properly.
- Use of an electric appliance in the accessory power outlet for a long period of time while the engine is not running can cause battery discharge.
- Before driving your vehicle, make sure that the plug and the cord on your electrical appliance will not interfere with your shifting gears and operating the accelerator and brake pedals. If they do, do not use the electrical appliance while driving.

## Cigarette lighter socket



A cigarette lighter socket can be found behind the ash-tray lid under the climate controls. Push gently on the lid to open it. A cigarette lighter plug is an optional accessory. It is available from your SUBARU dealer. The cigarette lighter socket may also be used as a power source for an in-car use electrical appliance.

### **⚠ CAUTION**

- The electrical power outlet located on the lower part of the instrument panel is originally designed to use a genuine SUBARU cigarette

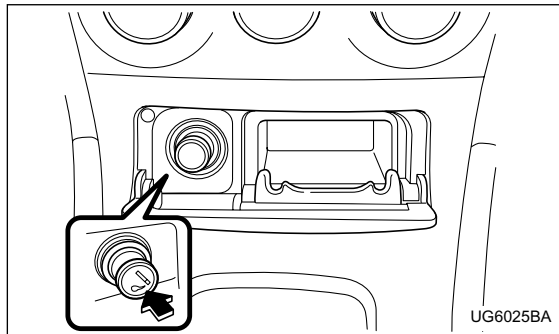
– CONTINUED –

lighter plug. Do not use non-genuine cigarette lighter plugs in the socket. Doing so may cause a short-circuit and overheating, resulting in a fire.

- If the socket is ever used for a plug-in accessory such as a mobile phone, that may damage the portion of the socket's internal mechanism that causes a cigarette lighter plug to "pop out" after its lighter element is heated. Therefore, do not place a cigarette lighter plug in a socket that has been used, even once, to power a plug-in accessory. Doing so may cause the plug to stick and overheat, creating a potential fire hazard.

- Do not place any foreign objects, especially metal ones such as coins or aluminum foil, into the socket. That could cause a short circuit.

## ■ Use with a cigarette lighter



The cigarette lighter operates only when the ignition switch is in the "ON" and "ACC" positions.

To use the cigarette lighter, push in the knob and wait a few moments. It will automatically spring up when ready for use.

### **⚠ WARNING**

To avoid being burned, never grasp the lighter by the end with the heating element. Doing so could result in injury and could also damage the heating element.

**⚠ CAUTION**

Do not hold the lighter pushed in, because it will overheat.

**■ Using as an accessory power outlet**

Electrical power (12V DC) from the battery is available at the socket when the ignition switch is either in the "ACC" or "ON" position.

If you use the socket as an accessory power outlet, take the following precautions.

When the socket is not in use, always put the cap on the socket to prevent any foreign object from entering it.

**⚠ CAUTION**

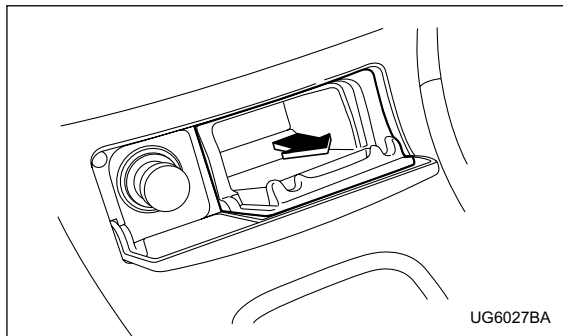
- **Use only in-car use electrical appliances which are designed for 12V DC and which consume less than 120W. Overloading the socket can cause a short circuit. Do not use double adapters or more than one electrical appliance.**
- **If the plug on your electric appliance is either too loose or too tight for the socket, this can result in a poor contact or cause the plug to get stuck. Only use plugs that fit properly.**

- **Use of an electric appliance in the socket for a long period of time while the engine is not running can cause battery discharge.**
- **Before driving your vehicle, make sure that the plug and the cord on your electrical appliance will not interfere with your shifting gears and operating the accelerator and brake pedals. If they do, do not use the electrical appliance while driving.**

If the socket has been used for electrical appliances, damage may have been done to the internal mechanism that causes a cigarette lighter to "pop out" after its element has been heated. For that reason, a cigarette lighter, even if it is a genuine part, should not be used in the socket. If you want to use the socket for a cigarette lighter again, or to protect your purchaser before you sell your vehicle, have your SUBARU dealer replace the socket with a new one.



## Ashtray

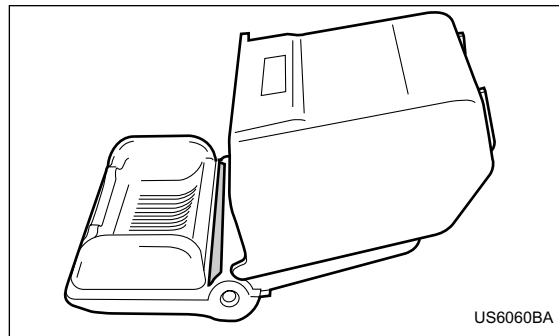


To open the ashtray, push lightly on the lid below the climate controls.

Fully close the lid after using it to help reduce residual smoke.

To remove the ashtray for cleaning, hold the right and left sides of the ashtray and pull it out.

## NOTE

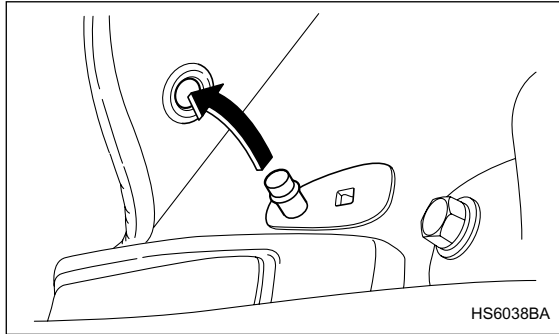


Particles of ash and tobacco will accumulate around the hinges of the ashtray's inner lid. Clean them off using a toothbrush or other narrow-ended implement.

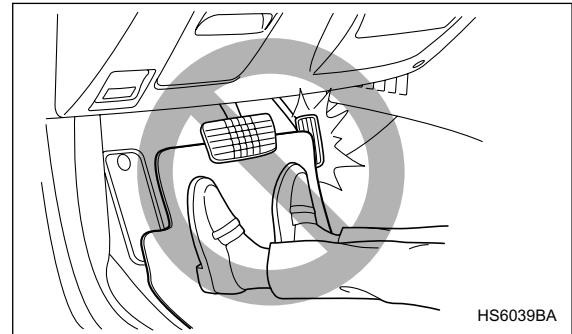
### CAUTION

Do not use ashtrays as waste receptacles or leave a lighted cigarette in an ashtray. This could cause a fire.

## Floor mat (if equipped)



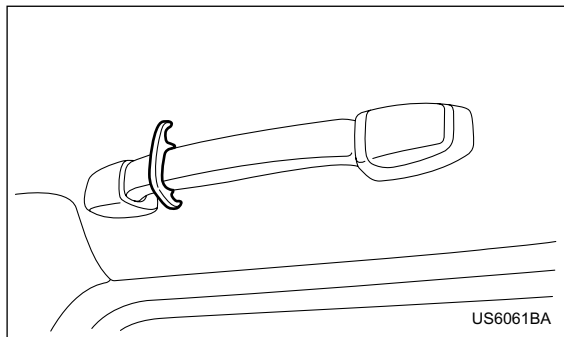
A retaining pin is located on the driver's side of the vehicle next to the fuel filler door release. The floor mat is secured using the built-in grommet, by placing the grommet over the pin and pushing downward.



### **CAUTION**

**Make sure the driver's floor mat is placed back in its proper location and correctly secured on its retaining pin. If the floor mat slips forward and interferes with the movement of the pedals during driving, it could cause an accident.**

## Coat hook



The coat hook is attached to the rear left passenger's hand grip.

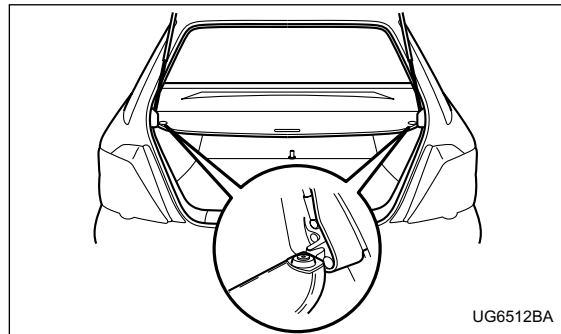
### CAUTION

**Never hang anything on the coat hook that might obstruct the driver's view or that could cause injury in sudden stops or in a collision. And do not hang items on the coat hook that weigh 2.2 lbs (1 kg) or more.**

## Cargo area cover (if equipped)

The cargo area cover is provided for covering the cargo area and to protect its contents from direct sunlight. This cover is detachable to make room for additional cargo.

### ■ Using the cover



To extend the cover, pull the end of the cover out of the housing, then insert its hooks into the catches as shown. To rewind it, unhook it from the catches and it will rewind automatically. You should hold on to the cover and guide it back into the cover housing while it

is rewinding.

**⚠ WARNING**

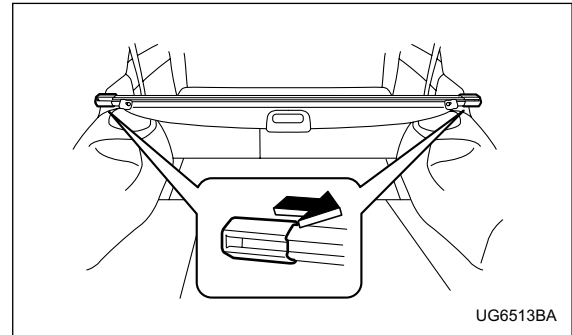
Do not place anything on the extended cover. Putting excessive weight on the extended cover can break it and an object on the cover could tumble forward in the event of a sudden stop or collision. This could cause serious injury.

**⚠ CAUTION**

Be careful not to scratch the rear gate stays while extending and rewinding the cover. Scratches on the stays could cause leakage of gas from the stays, which may result in their inability to hold the rear gate open.

**■ To remove the cover**

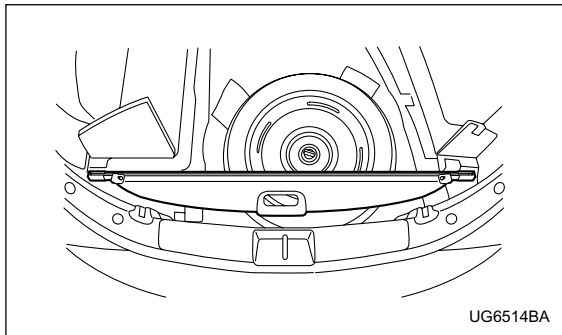
1. Rewind the cover.



2. Pull either sleeve on the end of the cover housing to shorten the cover's length.
3. Take it off the retainer.

– CONTINUED –

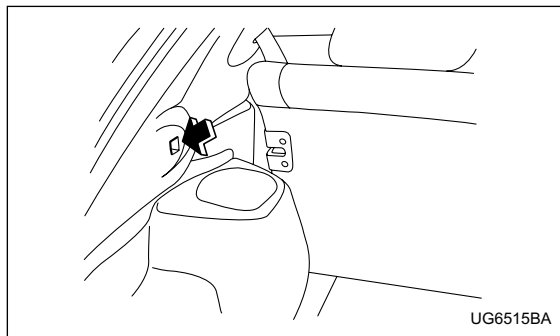
## ■ Stowage of the cover



The cargo area cover can be stowed under the cargo floor.

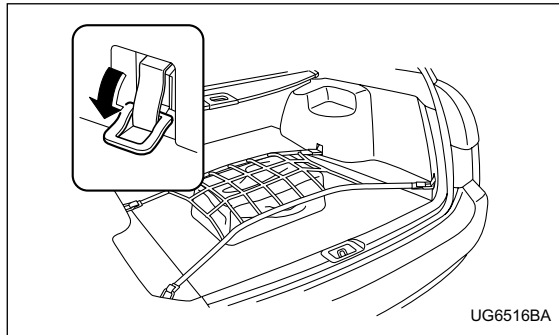
## ■ To install the cover housing

1. Pull either sleeve on the end of the cover housing to shorten the cover's length.



2. Insert the projections located on the both ends of the sleeve into the recesses of the retainers.

## Cargo tie-down hooks (if equipped)



The cargo area is equipped with four tie-down hooks so that cargo can be secured with a cargo net or ropes.

When using the tie-down hooks, turn them down out of the storing recesses. When not in use, put the hooks up into the storing recesses.

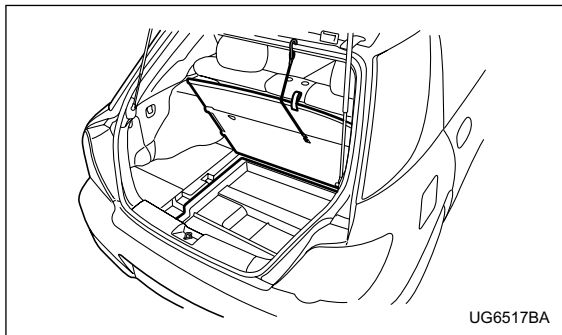
### **⚠ CAUTION**

**The cargo tie-down hooks are designed only for securing light cargo. Never try to secure cargo that exceeds the capacity of the hooks. The**

**maximum load capacity is 44 lbs (20 kg) per an hook.**

## Under-floor storage compartment (if equipped)

---



The storage compartment is located under the floor of the cargo area and can be used to store small items. To open the lid, pull the tab up.

Hang the hook provided on the under side of the lid on the rear edge of the roof to keep the lid open.

### **NOTE**

**When storing a flat tire, put the storage tray in the cargo area.**

### **⚠ CAUTION**

- Always keep the lids closed while driving to reduce the risk of injury in the event of sudden stop or an accident.
- Do not store spray cans, containers with flammable or corrosive liquids or any other dangerous items in the storage compartment.

# Starting and operating

<b>Fuel</b> .....	7-2	<b>Braking</b> .....	7-30
Fuel requirements .....	7-2	Braking tips .....	7-30
Fuel filler lid and cap .....	7-4	Brake system .....	7-30
<b>State emission testing (U.S. only)</b> .....	7-7	Disc brake pad wear warning indicators .....	7-31
<b>Preparing to drive</b> .....	7-9	<b>ABS (Anti-lock Brake System)</b> .....	7-31
<b>Starting the engine</b> .....	7-9	ABS system self-check .....	7-32
Manual transmission vehicle .....	7-9	ABS warning light .....	7-32
Automatic transmission vehicle .....	7-10	<b>Electronic Brake Force Distribution (EBD)</b>	
<b>Stopping the engine</b> .....	7-11	system .....	7-34
<b>Manual transmission – 6 speeds</b>		Steps to take if EBD system fails .....	7-34
(WRX-STi) .....	7-12	<b>Parking your vehicle</b> .....	7-36
Selecting reverse gear .....	7-12	Parking brake .....	7-36
Shifting speeds .....	7-13	Parking tips .....	7-36
Driving tips .....	7-14	<b>Cruise control</b> .....	7-38
<b>Manual transmission – 5 speeds</b>		To set cruise control .....	7-39
(except WRX-STi) .....	7-15	To temporarily cancel the cruise control .....	7-40
Shifting speeds .....	7-15	To turn off the cruise control .....	7-41
Driving tips .....	7-17	To change the cruising speed .....	7-42
<b>Driver's Control Center Differential (DCCD)</b>			
(WRX-STi) .....	7-18		
Auto mode .....	7-18		
Manual mode .....	7-19		
Temporary release .....	7-21		
<b>Automatic transmission</b> .....	7-22		
Selector lever for automatic transmission .....	7-23		
Shift lock release .....	7-27		
<b>Limited slip differential (LSD)</b>			
(if equipped) .....	7-28		
<b>Power steering</b> .....	7-29		



## Fuel

---

 **CAUTION**

**Use of a fuel which is low in quality or use of an inappropriate fuel additive may cause engine damage.**

---

### ■ Fuel requirements

#### ▼ 2.5-liter non-turbo models

The 2.5-liter non-turbo engine is designed to operate using unleaded gasoline with an octane rating of 87 AKI or higher.

#### ▼ 2.0-liter turbo models

The 2.0-liter turbo engine is designed to operate using premium unleaded gasoline with an octane rating of 91 AKI or higher. If premium unleaded gasoline is not available, regular unleaded gasoline with an octane rating of 87 AKI or higher may be temporarily used. For optimum engine performance and driveability, it is required that you use premium grade unleaded gasoline.

#### ▼ 2.5-liter turbo model

The 2.5-liter turbo engine is designed to operate using super-premium unleaded gasoline with an octane rating of 93 AKI or higher. If super-premium unleaded gasoline with an octane rating of 93 AKI or higher is not available, premium unleaded gasoline with an octane rating of 91 AKI or higher can be used. For optimum engine performance and driveability, it is recommended that you use super-premium grade unleaded gasoline with an octane rating of 93 AKI or higher.

#### ▼ Fuel octane rating

This octane rating is the average of the Research Octane and Motor Octane numbers and is commonly referred to as the Anti Knock Index (AKI).

Using a gasoline with a lower octane rating can cause persistent and heavy knocking, which can damage the engine. Do not be concerned if your vehicle sometimes knocks lightly when you drive up a hill or when you accelerate. See your dealer or a qualified service technician if you use a fuel with the specified octane rating and your vehicle knocks heavily or persistently.

#### ▼ Unleaded gasoline

The neck of the fuel filler pipe is designed to accept only an unleaded gasoline filler nozzle. Under no circumstances should leaded gasoline be used because it will damage the emission control system and may

impair driveability and fuel economy.

▼ **Gasoline for California-certified LEV**

Your vehicle was certified to California's low emission vehicle (LEV) standards as indicated on the underhood tune-up label. It is designed to optimize engine and emission performance with gasoline that meets the clean burning low-sulfur California gasoline specifications. If you live in any other state than California, your vehicle will operate on gasoline meeting Federal specifications. Gasoline sold outside California is permitted to have higher sulfur levels, which may affect the performance of your vehicle's catalytic converter and may produce a sulfur exhaust odor or smell. SUBARU recommends that you try a different brand of unleaded gasoline having lower sulfur to determine if the problem is fuel related before returning your vehicle to an authorized dealer for service.

▼ **MMT**

Some gasoline contains an octane-enhancing additive called MMT (Methylcyclopentadienyl Manganese Tricarbonyl). If you use such fuels, your emission control system performance may deteriorate and the CHECK ENGINE warning light/Malfunction indicator lamp may turn on. If this happens, return to your authorized SUBARU Dealer for service. If it is determined that the condition is caused by the type of fuel used, repairs

may not be covered by your warranty.

▼ **Gasoline for cleaner air**

Your use of gasoline with detergent additives will help prevent deposits from forming in your engine and fuel system. This helps keep your engine in tune and your emission control system working properly, and is a way of doing your part for cleaner air. If you continuously use a high quality fuel with the proper detergent and other additives, you should never need to add any fuel system cleaning agents to your fuel tank.

Many gasolines are now blended with materials called oxygenates. Use of these fuels can also help keep the air cleaner. Oxygenated blend fuels, such as MTBE (Methyl Tertiary Butyl ether) or ethanol (ethyl or grain alcohol) may be used in your vehicle, but should contain no more than 15% MTBE or 10% ethanol for the proper operation of your SUBARU.

In addition, some gasoline suppliers are now producing reformulated gasolines, which are designed to reduce vehicle emissions. SUBARU approves the use of reformulated gasoline.

If you are not sure what the fuel contains, you should ask your service station operators if their gasolines contain detergents and oxygenates and if they have been reformulated to reduce vehicle emissions.

---

– CONTINUED –

As additional guidance, only use fuels suited for your vehicle as explained below.

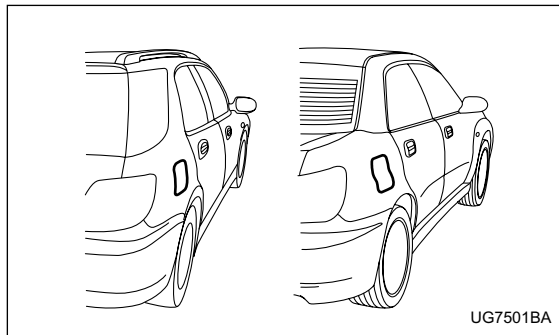
- Fuel should be unleaded and have an octane rating no lower than that specified in this manual.
- Methanol (methyl or wood alcohol) is sometimes mixed with unleaded gasoline. Methanol can be used in your vehicle **ONLY** if it does not exceed 5% of the fuel mixture **AND** if it is accompanied by sufficient quantities of the proper cosolvents and corrosion inhibitors required to prevent damage to the fuel system. Do not use fuel containing methanol **EXCEPT** under these conditions.
- If undesirable driveability problems are experienced and you suspect they may be fuel related, try a different brand of gasoline before seeking service at your SUBARU dealer.
- Fuel system damage or driveability problems which result from the use of improper fuel are not covered under the SUBARU Limited Warranty.

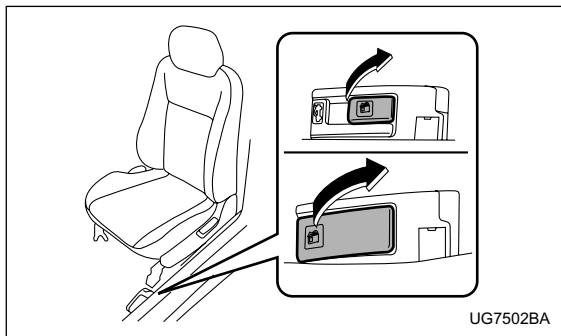
### CAUTION

**Do not let fuel spill on the exterior surfaces of the vehicle. Fuels containing alcohol may cause paint damage, which is not covered under the SUBARU Limited Warranty.**

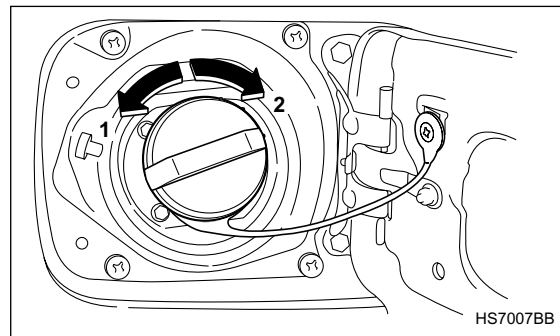
## ■ Fuel filler lid and cap

### ▼ Refueling





1. To open the fuel filler lid, pull the lid release lever up.



- 1) Open
- 2) Close

2. Remove the fuel filler cap by turning it slowly counterclockwise.

### **⚠ WARNING**

- Gasoline vapor is highly flammable. Before refueling, always first stop the engine and make sure that there are no lighted cigarettes, open flames or electrical sparks in the adjacent area.
- When opening the cap, do not remove the cap quickly. Fuel may be under pressure and spray out of the fuel filler neck especially in hot

– CONTINUED –

weather, which may cause injury.

3. Stop filling the tank after the fuel filler pump automatically stops. Do not add any more fuel.

4. Put the cap back on, turn it clockwise until you hear a clicking noise. Be certain not to catch the tether under the cap while tightening.

5. Close the fuel filler lid completely.

If you spill any fuel on the painted surface, rinse it off immediately. Otherwise, the painted surface could be damaged.

## NOTE

If the fuel filler cap is not tightened until it clicks or if the tether is caught under the cap, the CHECK ENGINE warning light may come on. Refer to the “Warning and indicator lights” section located in chapter 3.

## CAUTION

- Never add any cleaning agents to the fuel tank. The addition of a cleaning agent may cause damage to the fuel system.
- Make sure that the cap is tightened until it clicks to prevent fuel spillage in the event of an accident.

- Do not let fuel spill on the exterior surfaces of the vehicle.

Fuels may cause paint damage, which is not covered under the SUBARU Limited Warranty.

- Always use a genuine SUBARU fuel filler cap. If you use the wrong cap, it may not fit or have proper venting, and your fuel tank and emission control system might be damaged.

## State emission testing (U.S. only)

**At state inspection time, remember to tell your inspection or service station in advance not to place your Subaru AWD vehicle on a two-wheel dynamometer. Otherwise, serious transmission damage will result.**

Some states have started using dynamometers in their state inspection programs in order to meet their obligation under federal law to implement stricter vehicle emission standards to reduce air pollution from vehicles. A dynamometer is a treadmill or roller-like testing device that allows your vehicle's wheels to turn while the vehicle remains in one place. Depending on the severity of a state's air pollution problems, the states must adopt either a "basic" or "enhanced" vehicle emission inspection test. Normally, a portion of the basic emission test consists of an emission inspector inserting an analyzer probe into the exhaust pipe of an idling vehicle for a short period of time. States with more severe air pollution problems are required to adopt an enhanced vehicle emission test. This test simulates actual driving conditions on a dynamometer and permits more accurate measurement of tailpipe emitted pollution than the basic emission test.

The U.S. Environmental Protection Agency (EPA) and

states using two-wheel dynamometers in their emission testing programs have **EXEMPTED** Subaru AWD vehicles from the portion of the testing program that involves a two-wheel dynamometer.

There are some states that use four-wheel dynamometers in their testing programs. When properly used, that equipment will not damage an AWD Subaru vehicle.

Under no circumstances should the rear wheels be jacked off the ground, nor should the driveshaft be disconnected for state emission testing.

### **WARNING**

**Testing of an All-Wheel Drive vehicle must NEVER be performed on a single two-wheel dynamometer. Attempting to do so will result in uncontrolled vehicle movement and may cause an accident or injuries to persons nearby.**

### **CAUTION**

**Resultant vehicle damage due to improper testing is not covered under the SUBARU Limited Warranty and is the responsibility of the state**

– CONTINUED –

**inspection program or its contractors or licensees.**

The EPA has issued regulations for inspecting the On-Board Diagnostic (OBD) system as part of the state emissions inspection. The OBD system is designed to detect engine and transmission problems that might cause vehicle emissions to exceed allowable limits. These inspections apply to all 1996 model year and newer passenger cars and light trucks. Several states plus the District of Columbia have opted to start the OBD system inspection prior to the required EPA regulation effective date of January 1, 2002. Other states will add OBD system inspection in 2002.

- The inspection of the OBD system consists of a visual operational check of the “**CHECK ENGINE**” warning light/malfunction indicator lamp (MIL) and an examination of the OBD system with an electronic scan tool while the engine is running.
- A vehicle passes the OBD system inspection if proper the “**CHECK ENGINE**” warning light/MIL illumination is observed, there is **no** stored diagnostic trouble codes, and the OBD system readiness monitors are complete.
- A vehicle fails the OBD inspection if the “**CHECK ENGINE**” warning light/MIL is not properly operating

or there is one or more diagnostic trouble codes stored in vehicle’s computer with the “**CHECK ENGINE**” warning light/MIL illuminated.

- A state emission inspection may reject (not pass or fail) a vehicle if the number of OBD system readiness monitors “**Not Ready**” is greater than three. Under this condition, the vehicle operator should be instructed to drive his/her vehicle for a few days to set the monitors and return for an emission re-inspection.
- Owners of rejected or failing vehicles should contact their Subaru Dealer for service.

---

## Preparing to drive

---

You should perform the following checks and adjustments every day before you start driving.

1. Check that all windows, mirrors, and lights are clean and unobstructed.
2. Check the appearance and condition of the tires. Also check tires for proper inflation.
3. Look under the vehicle for any sign of leaks.
4. Check that the hood, trunk and rear gate are fully closed.
5. Check the adjustment of the seat.
6. Check the adjustment of the inside and outside mirrors.
7. Fasten your seatbelt. Check that your passengers have fastened their seatbelts.
8. Check the operation of the warning and indicator lights when the ignition switch is turned to the "ON" position.
9. Check the gauges, indicator and warning lights after starting the engine.

### NOTE

**Engine oil, engine coolant, brake fluid, washer fluid and other fluid levels should be checked daily, weekly or at fuel stops.**

---

## Starting the engine

---

 **CAUTION**

**Do not operate the starter motor continuously for more than ten seconds. If the engine fails to start after operating the starter for five to ten seconds, wait for ten seconds or more before trying again.**

### ■ Manual transmission vehicle

1. Apply the parking brake.
2. Turn off unnecessary lights and accessories.
3. Press the clutch pedal to the floor and shift the shift lever into neutral. Hold the clutch pedal to the floor while starting the engine.  
The starter motor will only operate when the clutch pedal is pressed fully to the floor.
4. Turn the ignition switch to the "ON" position and check the operation of the warning and indicator lights. Refer to the "Warning and indicator lights" section (chapter 3).
5. Turn the ignition switch to the "START" position **without** depressing the accelerator pedal. Release the key immediately after the engine has started.

– CONTINUED –



If the engine does not start, try the following:

- 1) Turn the ignition switch to the "OFF" position and wait for at least 10 seconds. After checking that the parking brake is firmly set, turn the ignition switch to the "ON" position while depressing the accelerator pedal slightly (about a quarter of the full stroke). Release the accelerator pedal as soon as the engine starts.
- 2) If this fails to start the engine, turn the ignition switch back to the "OFF" position and wait for at least 10 seconds. Then fully depress the accelerator pedal and turn the ignition switch to the "START" position. If the engine starts, quickly release the accelerator pedal.
- 3) If this fails to start the engine, turn the ignition switch again to the "OFF" position. After waiting for 10 seconds or longer, turn the ignition switch to the "START" position without depressing the accelerator pedal.
- 4) If the engine still refuses to start, contact your nearest SUBARU dealer for assistance.
6. Confirm that all warning and indicator lights have gone off after the engine has started. The fuel injection system automatically lowers the idle speed as the engine warms up.

### ■ Automatic transmission vehicle

1. Apply the parking brake.
2. Turn off unnecessary lights and accessories.
3. Shift the selector lever to the "P" or "N" position (preferably "P" position).  
The starter motor will only operate when the select lever is at the "P" or "N" position.
4. Turn the ignition switch to the "ON" position and check the operation of the warning and indicator lights. Refer to the "Warning and indicator lights" section (chapter 3).
5. Turn the ignition switch to the "START" position **without** depressing the accelerator pedal. Release the key immediately after the engine has started.

If the engine does not start, try the following:

- 1) Turn the ignition switch to the "OFF" position and wait for at least 10 seconds. After checking that the parking brake is firmly set, turn the ignition switch to the "ON" position while depressing the accelerator pedal slightly (about a quarter of the full stroke). Release the accelerator pedal as soon as the engine starts.
- 2) If this fails to start the engine, turn the ignition switch back to the "OFF" position and wait for at least 10 seconds. Then fully depress the accelerator pedal and turn the ignition switch to the "START" position. If the engine starts, quickly release the ac-

celerator pedal.

3) If this fails to start the engine, turn the ignition switch again to the "OFF" position. After waiting for 10 seconds or longer, turn the ignition switch to the "START" position without depressing the accelerator pedal.

4) If the engine still refuses to start, contact your nearest SUBARU dealer for assistance.

6. Confirm that all warning and indicator lights have gone out after the engine has started. The fuel injection system automatically lowers the idle speed as the engine warms up.

While the engine is warming up, make sure that the selector lever is at the "P" or "N" position and that the parking brake is applied.

### CAUTION

**If you restart the engine while the vehicle is moving, shift the selector lever into the "N" position. Do not attempt to place the selector lever of a moving vehicle into the "P" position.**

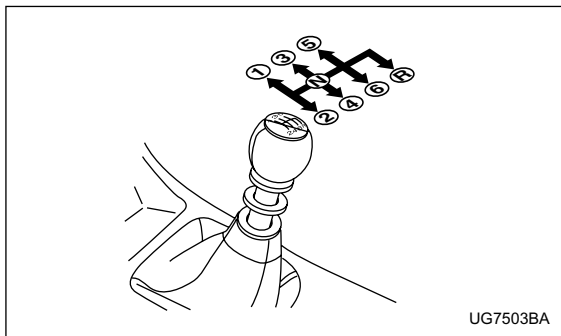
## Stopping the engine

The ignition switch should be turned off only when the engine is idling.

### WARNING

**Do not stop the engine when the vehicle is moving. This will cause loss of power to the power steering and the brake booster, making steering and braking more difficult. It could also result in accidental activation of the "LOCK" position on the ignition switch, causing the steering wheel to lock.**

## Manual transmission – 6 speeds (WRX-STi)



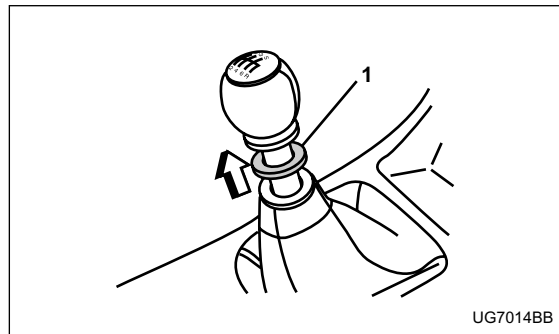
The manual transmission is a fully synchromeshed, 6-forward-speed and 1-reverse-speed transmission. The shift pattern is shown on the shift lever knob.

### **⚠ WARNING**

**Do not drive the vehicle with the clutch disengaged (i.e., when the clutch pedal is depressed) or with the shift lever in the neutral position. Engine braking has no effect in either of these conditions and the risk of an accident is conse-**

quently increased.

## ■ Selecting reverse gear



### 1) Slider

You must raise the slider and hold it in that position before you can move the shift lever to the "R" position.

To change gears, fully depress the clutch pedal, move the shift lever, and gradually let up on the clutch. If it is difficult to shift into gear, put the transmission in neutral, release the clutch pedal momentarily, and then try again.

**⚠ CAUTION**

Shift into reverse **ONLY** when the vehicle has completely stopped. It may cause damage to the transmission to try shifting into reverse when the vehicle is moving.

**■ Shifting speeds****▼ Recommended shifting speeds**

The best compromise between fuel economy and vehicle performance during normal driving is ensured by shifting up at the speeds listed in the following table.

Shift up	mph (km/h)
1st to 2nd	15 (24)
2nd to 3rd	25 (40)
3rd to 4th	40 (64)
4th to 5th	45 (72)
5th to 6th	50 (80)

**▼ Maximum allowable speeds**

The following tables show the maximum speeds that are possible with each different gear. The tachometer's needle will enter the red area if these speeds are exceeded.

With the exception of cases where sudden acceleration is required, the vehicle should not be driven with the tachometer's needle inside the red area. Failure to observe this precaution can lead to excessive engine wear and poor fuel economy.

Gear	mph (km/h)
1st	35 (57)
2nd	55 (88)
3rd	73 (118)
4th	96 (154)

**⚠ WARNING**

When shifting down a gear, ensure that the vehicle is not travelling at a speed exceeding the **Maximum Allowable Speed** for the gear which is about to be selected. Failure to observe this precaution can lead to engine over-revving and

– CONTINUED –

**this in turn can result in engine damage. In addition, sudden application of engine brakes when the vehicle is travelling on a slippery surface can lead to wheel locking; as a consequence, control of the vehicle may be lost and the risk of an accident increased.**

---

## **NOTE**

**Never exceed posted speed limits.**

## **■ Driving tips**

Do not drive with your foot resting on the clutch pedal and do not use the clutch to hold your vehicle at a standstill on an upgrade. Either of those actions may cause clutch damage.

Do not drive with your hand resting on the shift lever. This may cause wear on the transmission components.

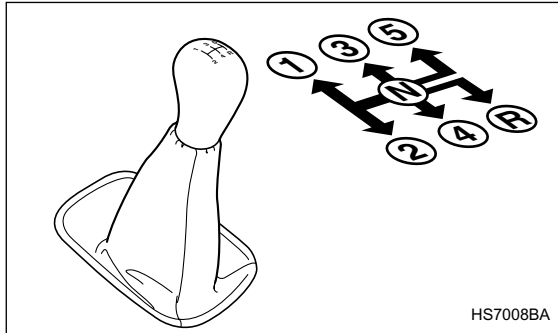
When it is necessary to reduce vehicle speed due to slow traffic, turning corners, or driving up steep hills, downshift to a lower gear before the engine starts to labor.

On steep downgrades, downshift the transmission to 5th, 4th, 3rd or 2nd gear as necessary; this helps to maintain a safe speed and to extend brake pad life.

In this way, the engine provides a braking effect. Remember, if you “ride” (over use) the brakes while descending a hill, they may overheat and not work properly.

The engine may, on rare occasions, knock when the vehicle rapidly accelerates or rapidly pulls away from a standstill. This phenomenon is not an indication of a problem in your vehicle.

## Manual transmission – 5 speeds (except WRX-STi)



The manual transmission is a fully synchromeshed, 5-forward-speed and 1-reverse-speed transmission. The shift pattern is shown on the shift lever knob. When shifting from 5th gear to reverse gear, first return the shift lever to the neutral position then shift into reverse gear.

To change gears, fully depress the clutch pedal, move the shift lever, and gradually let up on the clutch pedal. If it is difficult to shift into gear, put the transmission in neutral, release the clutch pedal momentarily, and

then try again.

### **⚠ WARNING**

Do not drive the vehicle with the clutch disengaged (i.e., when the clutch pedal is depressed) or with the shift lever in the neutral position. Engine braking has no effect in either of these conditions and the risk of an accident is consequently increased.

### **⚠ CAUTION**

Shift into reverse **ONLY** when the vehicle has completely stopped. It may cause damage to the transmission to try shifting into reverse when the vehicle is moving.

## ■ Shifting speeds

### ▼ Recommended shifting speeds

The best compromise between fuel economy and vehicle performance during normal driving is ensured by shifting up at the speeds listed in the following table.

– CONTINUED –

Shift up	mph (km/h)
1st to 2nd	15 (24)
2nd to 3rd	25 (40)
3rd to 4th	40 (65)
4th to 5th	45 (73)

**▼ Maximum allowable speeds**

The following table shows the maximum speeds that are possible with each different gear.

Never exceed the speed limit below for each gear position except for brief acceleration in an emergency. The tachometer's needle (if so equipped) will enter the red area if these speeds are exceeded. Failure to observe this precaution can lead to excessive engine wear and poor fuel economy.

**2.5-liter non-turbo models**

	mph (km/h)	
	RS sport package	RS, OUTBACK
1st	29 (46)	28 (45)
2nd	48 (77)	47 (75)
3rd	68 (110)	66 (106)

**2.0-liter turbo models**

	mph (km/h)	
	WRX	
1st	35 (56)	
2nd	61 (98)	
3rd	87 (140)	

** WARNING**

**When shifting down a gear, ensure that the vehicle is not travelling at a speed exceeding the Maximum Allowable Speed for the gear which is about to be selected. Failure to observe this precaution can lead to engine over-revving and this in turn can result in engine damage.**

**In addition, sudden application of engine brakes when the vehicle is travelling on a slippery surface can lead to wheel locking; as a consequence, control of the vehicle may be lost and the risk of an accident increased.**

---

### ■ Driving tips

Do not drive with your foot resting on the clutch pedal and do not use the clutch to hold your vehicle at a standstill on an upgrade. Either of those actions may cause clutch damage.

Do not drive with your hand resting on the shift lever. This may cause wear on the transmission components.

When it is necessary to reduce vehicle speed due to slow traffic, turning corners, or driving up steep hills, downshift to a lower gear before the engine starts to labor.

On steep downgrades, downshift the transmission to 4th, 3rd or 2nd gear as necessary; this helps to maintain a safe speed and to extend brake pad life.

In this way, the engine provides a braking effect. Remember, if you “ride” (over use) the brakes while descending a hill, they may overheat and not work prop-

erly.

The engine may, on rare occasions, knock when the vehicle rapidly accelerates or rapidly pulls away from a standstill. This phenomenon is not an indication of a problem in your vehicle.



## Driver's Control Center Differential (DCCD) (WRX-STi)

### ⚠ WARNING

Always use the utmost care when driving. Being overconfident because you are driving a vehicle with a driver's control center differential could easily lead to a serious accident.

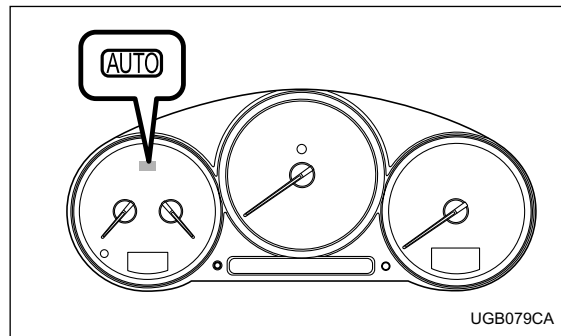


UG3031AA

### ⚠ CAUTION

In the event of failure of the driver's control center differential, the "O" indicator light will flash and the auto mode and manual mode will both stop functioning. Have the vehicle inspected by your Subaru dealer.

### ■ Auto mode



This system automatically adjusts the differential-action limiting factor (torque-distribution ratio between the front and rear wheels) of the center differential to

suit driving and road-surface conditions. When the ignition switch is turned ON, the “AUTO” indicator light in the combination meter comes on. The system can be switched to a manual mode.

## ■ Manual mode

The manual mode allows the driver to set the differential-action limiting factor of the center differential as desired to suit driving and road-surface conditions. When this mode is selected, the “AUTO” indicator light in the combination meter goes off.

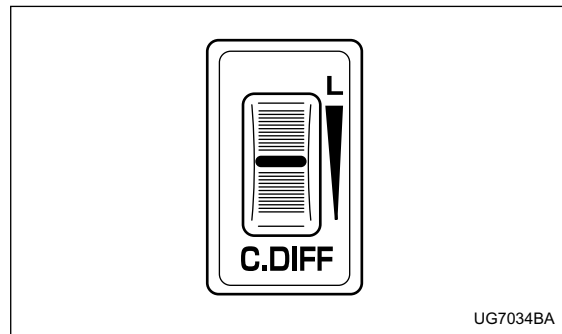
### ▼ Manual switch



Press the “DCCD-MANU” switch on the center con-

sole to switch from auto mode to manual mode. The “AUTO” indicator light in the combination meter will go off. Press the switch again to go back to auto mode. The “AUTO” indicator light in the combination meter will come on.

### ▼ Center differential control dial and indicator light

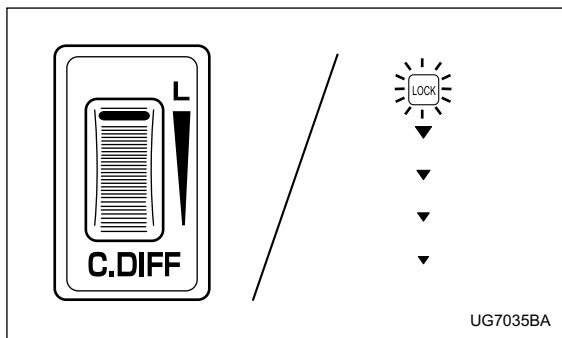


The control dial is located beside the parking-brake lever. By turning the control dial forward and rearward, it is possible to change the differential-action limiting factor of the center differential.

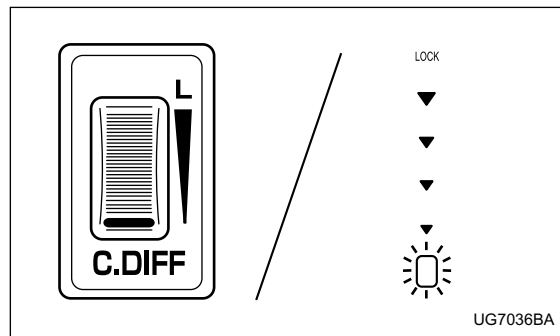
The center-differential indicator lights in the combination meter give six levels of indication. The indicator


– CONTINUED –

lights and control dial are linked; when the dial is turned to change the differential-action limiting factor (front/rear torque-distribution ratio), the illumination position of the indicator lights change accordingly.



Turn the dial forward to increase the differential-action limiting factor. If the white line on the dial reaches the frontmost position, the center differential will be almost completely locked and the “LOCK” indicator light will come on.



Turn the dial rearward to reduce the differential-action limiting factor. If the white line on the dial reaches the rearmost position, the factor will be minimal and the “” indicator light will come on.

### CAUTION

- Do not turn the control dial when a wheel slip-page occurs. Wait until the wheelspin has been brought under control or select the auto mode.
- When the vehicle has been fitted with a temporary spare tire or is to be towed, turn the control dial fully rearward (to minimize the differential-action limiting factor) or select the auto

mode.

---

## NOTE

- If the differential-limiting factor is large during cornering maneuvers, a small speed difference between the front and rear wheels may cause tight corner braking (a phenomenon accompanied by vibration and noise). This phenomenon does not indicate a problem. It will disappear if the differential-action limiting factor is reduced.
- Use the center-differential indicator light only as a rough indication of the differential-action limiting factor.
- If you rapidly depress and release the accelerator pedal while driving at low speed, you may hear a knocking sound from the vicinity of the center differential and rear differential. This sound occurs because of the structure of the center differential. It does not indicate a problem.

## ■ Temporary release

When the driver stop the vehicle and pulls the parking-brake lever after manually setting the differential-action limiting factor, the factor is temporarily minimized. The indicator in the combination meter continues to show the driver's selected differential-action limiting

factor. When the driver releases the parking-brake lever, the factor set by the driver is restored.

## Automatic transmission

---

The automatic transmission is electronically controlled with 4-forward speeds and 1-reverse speed.

### NOTE

Immediately after a disconnected battery is reconnected (Turbo model only) or ATF (automatic transmission fluid) is replaced, you may feel that the automatic transmission operation is somewhat unusual.

This results from erasure or invalidation of data the on-board computer has collected and stored in memory to allow the transmission to shift at the most appropriate times for the current condition of your vehicle. Optimized shifting will be restored as the vehicle continues to be driven for a while.

### WARNING

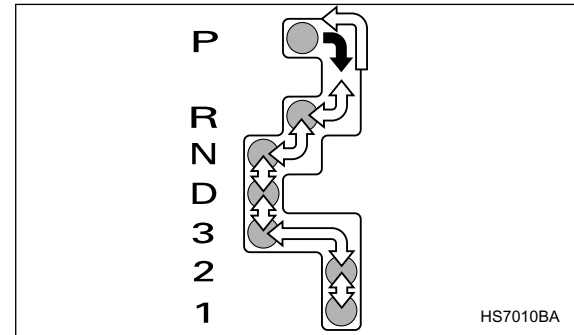
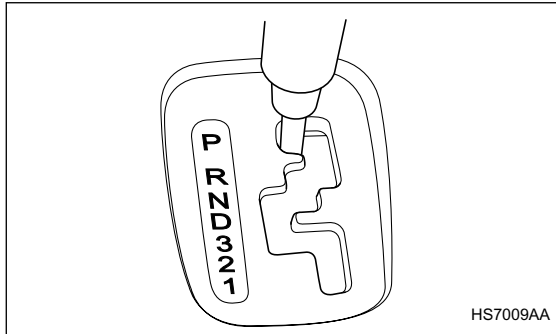
Do not shift from the “P” or “N” position into the “D”, “3”, “2”, “1” or “R” position while depressing the accelerator pedal. This may cause the vehicle to jump forward or backward.

---

### CAUTION

- Shift into the “P” or “R” position only after the vehicle is completely stopped. Shifting while the vehicle is moving may cause damage to the transmission.
  - Do not race the engine for more than five seconds in any position except the “N” or “P” position when the brake is set or the tires are on blocks. This may cause the automatic transmission fluid to overheat.
  - Avoid shifting from one of the forward driving positions into the “R” position or vice versa until the vehicle has completely stopped. Such shifting may cause damage to the transmission.
-

## ■ Selector lever for automatic transmission



- ➔ : With the brake pedal depressed, move the lever along the gate.
- ⇨ : Move the lever along the gate.

The selector lever has seven positions.

### ▼ P (Park)

This position is for parking the vehicle and starting the engine.

In this position, the transmission is mechanically locked to prevent the vehicle from rolling freely.

When you park the vehicle, first set the parking brake fully, then shift into the “P” position. Do not hold the vehicle with only the transmission.

– CONTINUED –

A shift interlock function is employed in the automatic transmission system to ensure safe starting of the vehicle.

To shift the selector lever from the “P” to the any other position, you have to depress the brake pedal fully when the ignition switch is in the “ON” position. This prevents the vehicle from lurching when it is started.

If the shift lever does not move from the “P” position with the brake pedal depressed, refer to the “Shift lock release” section in this chapter.

### ▼ R (Reverse)

This position is for backing the vehicle.

To shift from the “N” to “R” position, first stop the vehicle completely then move the lever to the “R” position.

### ▼ N (Neutral)

This position is for restarting a stalled engine.

In this position the wheels and transmission are not locked. In this position, the transmission is neutral; the vehicle will roll freely, even on the slightest incline unless the parking brake or foot brake is on.

### **NOTE (Except Turbo models)**

**If you stop the engine with the selector lever in the “N” position, move the selector lever to the “P” position immediately. Otherwise, you may find**

**that the selector lever soon cannot be moved to the “P” position. If you find that the selector lever cannot be moved from the “N” position to the “P” position, turn the ignition switch to the “ON” position and try again.**

### **WARNING**

**Do not drive the vehicle with the selector lever in the “N” (neutral) position. Engine braking has no effect in this condition and the risk of an accident is consequently increased.**

### ▼ D (Drive)

This position is for normal driving.

The transmission automatically shifts into a suitable gear from 1st to 4th according to the vehicle speed and the acceleration you require.

When more acceleration is required in this position, press the accelerator pedal fully to the floor and hold that position. The transmission will automatically downshift to 3rd, 2nd or 1st gear. When you release the pedal, the transmission will return to the original gear position.

▽ **While climbing a grade**

When driving up hill, undesired upshift to 4th gear is prevented from taking place when the accelerator pedal is released. This minimizes the chances of subsequent downshifting to a lower gear when accelerating again. This prevents repeated upshifting and downshifting resulting in a smoother operation of the vehicle.

**NOTE**

**The transmission may downshift to 2nd or 1st gear, depending on the way the accelerator pedal is pressed to accelerate the vehicle again.**

▽ **While going down a hill**

When descending a steep hill, depressing the brake pedal will cause the transmission to downshift to 3rd gear, thus applying engine braking. Reacceleration for a short time will cause the transmission to upshift normally.

**NOTE**

**In some cases, depressing the brake pedal on a downhill grade does not result in an automatic downshift to 3rd gear. This can happen when the automatic transmission fluid temperature is very low, for example, during driving shortly after the vehicle has been parked for an extended period of**

**time. When the ATF temperature has risen to a certain level, automatic downshift normally takes place. In the meantime, downshift manually for engine braking as required.**

**Also, downshifting when braking downhill will not occur at speeds above approximately 48 mph (78 km/h).**

▼ **3 (Third)**

This position is for using engine braking when going down a hill or for climbing a grade.

The transmission automatically shifts into a suitable gear from 1st to 3rd according to the vehicle speed and the acceleration you require.

When more acceleration is required in this position, press the accelerator pedal fully to the floor and hold that position. The transmission will automatically downshift to 2nd or 1st gear. When you release the pedal, the transmission will return to the original gear position.

▼ **2 (Second)**

This position is for using engine braking when going down a hill or for climbing a steep grade.

In this position, the transmission holds in the 2nd gear. Use this position when starting off from a standstill on slippery road surfaces such as mud or snow. It will en-

– CONTINUED –



sure greater traction.

### ▼ 1 (First)

This position is for driving up or down very steep grades, or driving through mud or sand, or on slippery surfaces. In this position, the transmission holds in the 1st gear.

### ▼ Maximum speeds

The following tables show the maximum speeds that are possible with each different gear.

When shifting down a gear, it is important to confirm that the current vehicle speed is not in excess of the Maximum Allowable Speed of the gear which is about to be selected.

mph (km/h)

	2.5-liter non-turbo models	2.0-liter turbo models
1	28 (45)	28 (45)
2	62 (99)	58 (93)
3	95 (153)	99 (158)

### NOTE

**In order to prevent over-revving during deceleration of the vehicle, the transmission will remain in the current gear if the speed of the vehicle is in excess of the Maximum Allowable Speed for the gear to which the selector lever has been moved.**

### WARNING

**When shifting down a gear, ensure that the vehicle is not travelling at a speed exceeding the Maximum Allowable Speed for the gear which is about to be selected. Failure to observe this precaution can lead to engine over-revving and this in turn can result in engine damage.**

**In addition, sudden application of engine brakes when the vehicle is travelling on a slippery surface can lead to wheel locking; as a**

**consequence, control of the vehicle may be lost and the risk of an accident increased.**

### ▼ Driving tips

- Always apply the foot or parking brake when the vehicle is stopped in the “D”, “3”, “2”, “1” or “R” position.
- Always set the parking brake when parking your vehicle. Do not hold the vehicle with only the transmission.
- Do not keep the vehicle in a stationary position on an uphill grade by using the “D”, “3”, “2”, or “1” position. Use the brake instead.

The engine may, on rare occasions, knock when the vehicle rapidly accelerates or rapidly pulls away from a standstill. This phenomenon is not an indication of a problem in your vehicle.

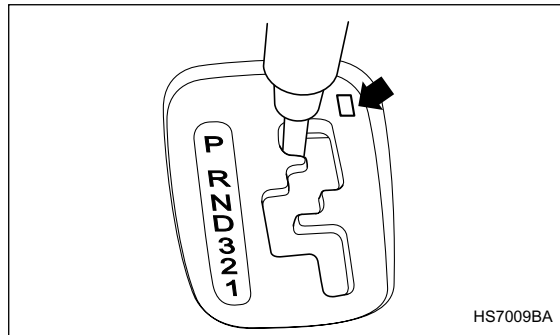
### ■ Shift lock release

If the selector lever does not move from the “P” position with the brake pedal depressed and the ignition switch in the “ON” position, perform the following steps:

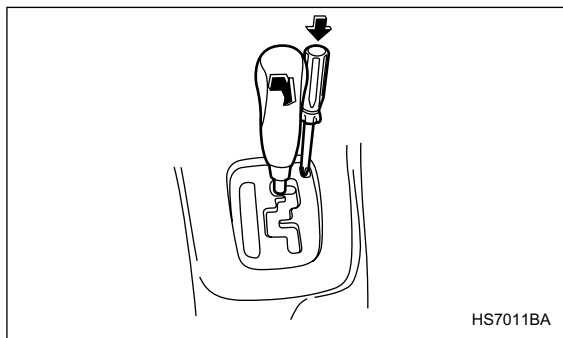
To override the shift lock:

1. Set the parking brake and stop the engine.
2. Take out the screwdriver from the tool bag.

3. Remove the cover by prying on the edge with the screwdriver.



– CONTINUED –



4. Insert the screwdriver into the hole.
5. Push down on the screwdriver and move the selector lever from the "P" to the "N" position.
6. Remove the screwdriver from the hole. Depress the brake pedal and start the engine.

Take your vehicle to the nearest SUBARU dealer immediately to have the system repaired.

## Limited slip differential (LSD) (if equipped)

The LSD provides optimum distribution of power according to the difference in revolutions between the right and left wheels that may be caused by certain driving conditions, thereby improving driving stability on snow-covered, muddy or other slippery roads or when high speed driving.

### NOTE (WRX-STi)

The rear differential may emit a knocking sound when the vehicle is driven slowly with the steering wheel turned fully to either side. This sound occurs because of the design of the mechanical LSD. It does not indicate a problem.

### CAUTION

- Never start the engine while a tire on one side is jacked up, as the vehicle may move.
- If one tire is spinning in mud, avoid continued spinning at high speed as this could adversely affect the LSD.
- If you use a temporary spare tire to replace a flat tire, be sure to use the original temporary spare tire stored in the vehicle. Using other siz-

es will adversely affect the LSD.

---

## Power steering

---

The power steering system operates only when the engine is running.

If you lose power steering assist because the engine stops or the system fails to function, you can steer but it will take much more effort.

### NOTE

**Right after the engine has been started and before it has warmed up, you may hear a noise coming from areas adjacent to the power steering pump which is located at the right-front area of the engine compartment. This noise is normal. It does not indicate power steering system trouble.**

### CAUTION

**Do not hold the steering wheel at the fully locked position left or right for more than five seconds. This may damage the power steering pump.**

---

## Braking

---

### ■ Braking tips

**⚠ WARNING**

**Never rest your foot on the brake pedal while driving. This can cause dangerous overheating of the brakes and needless wear on the brake pads and linings.**

---

#### ▼ When the brakes get wet

When driving in rain or after washing the vehicle, the brakes may get wet. As a result, brake stopping distance will be longer. To dry the brakes, drive the vehicle at a safe speed while lightly depressing the brake pedal to heat up the brakes.

#### ▼ Use of engine braking

Remember to make use of engine braking in addition to foot braking. When descending a grade, if only the foot brake is used, the brakes may start working improperly because of brake fluid overheating, caused by overheated brake pads. To help prevent this, shift into a lower gear to get stronger engine braking.

#### ▼ Braking when a tire is punctured

Do not depress the brake pedal suddenly when a tire is punctured. This could cause a loss of control of the vehicle. Keep driving straight ahead while gradually reducing speed. Then slowly pull off the road to a safe place.

### ■ Brake system

#### ▼ Two separate circuits

Your vehicle has two separate circuit brake systems. Each circuit works diagonally across the vehicle. If one circuit of the brake system should fail, the other half of the system still works. If one circuit fails, the brake pedal will go down much closer to the floor than usual and you will need to press it down much harder. And a much longer distance will be needed to stop the vehicle.

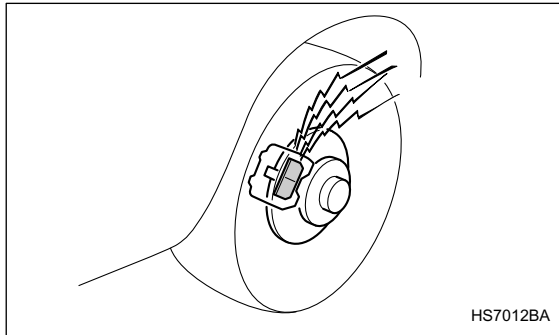
#### ▼ Brake booster

The brake booster uses engine manifold vacuum to assist braking force. Do not turn off the engine while driving because that will turn off the brake booster, resulting in poor braking power.

The brakes will continue to work even when the brake booster completely stops functioning. If this happens, however, you will have to push the pedal much harder

than normal and the braking distance will increase.

### ■ Disc brake pad wear warning indicators



The disc brake pad wear warning indicators on the disc brakes give a warning noise when the brake pads are worn.

If a squeaking or scraping noise is heard from the disc brakes while braking, immediately have your vehicle checked by your SUBARU dealer.

## ABS (Anti-lock Brake System)

The ABS system prevents the lock-up of wheels which may occur during sudden braking or braking on slippery road surfaces. This helps prevent the loss of steering control and directional stability caused by wheel lock-up.

When the ABS system is operating, you may hear a chattering noise or feel a slight vibration in the brake pedal. This is normal when the ABS operates.

The ABS system will not operate when the vehicle speed is below approximately 6 mph (10 km/h).

### **▲ WARNING**

**Always use the utmost care in driving – overconfidence because you are driving with an ABS equipped vehicle could easily lead to a serious accident.**

### **▲ CAUTION**

- **The ABS system does not always decrease stopping distance. You should always maintain a safe following distance from other vehicles.**

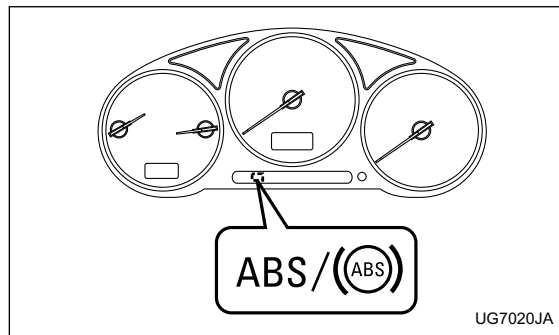
– CONTINUED –

- When driving on badly surfaced roads, gravel roads, icy roads, or over deep newly fallen snow, stopping distances may be longer for a vehicle with the ABS system than one without. When driving under these conditions, therefore, reduce your speed and leave ample distance from other vehicles.
- When you feel the ABS system operating, you should maintain constant brake pedal pressure. Do not pump the brake pedal since doing so may defeat the operation of the ABS system.

### ■ ABS system self-check

You may feel a slight shock in the brake pedal and hear the operating sound of ABS from the engine compartment just after the vehicle is started. This is caused by an automatic functional test of the ABS system being carried out and does not indicate any abnormal condition.

### ■ ABS warning light



The ABS warning light comes on when the ignition switch is turned to the "ON" position and goes out after about two seconds.

This is an indication that the ABS system is working properly.

When driving with an insufficient battery voltage such as when the engine is jump started, the ABS warning light may come on. This is due to the low battery voltage and does not indicate a malfunction. When the battery becomes fully charged, the light will go out.

**▲ CAUTION**

If the warning light behaves as follows, the ABS system may not be working properly. When the warning light is on, the ABS function shuts down; however, the conventional brake system continues to operate normally.

- The warning light does not come on when the ignition switch is turned to the “ON” position.
- The warning light comes on when the ignition switch is turned to the “ON” position, but it does not go out even when the vehicle speed exceeds approximately 8 mph (12 km/h).
- The warning light comes on during driving.

If these occur, have the ABS system repaired at the first available opportunity by your SUBARU dealer.

**NOTE**

If the warning light behavior is as described below, the ABS system may be considered normal.

- The warning light comes on right after the engine is started but goes out immediately, remaining off.
- The warning light remains on after the engine has been started, but it goes out when the vehicle

speed reaches about 8 mph (12 km/h).

- The warning light comes on during driving, but it goes out immediately and remains off.



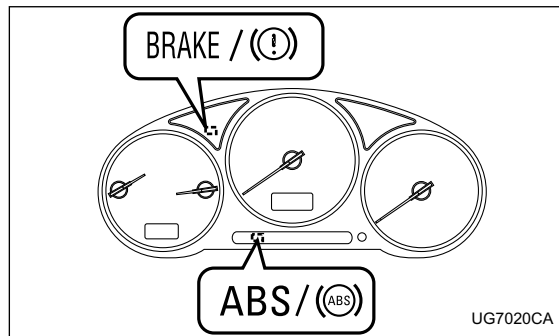
## Electronic Brake Force Distribution (EBD) system

The EBD system maximizes the effectiveness of the brakes by allowing the rear brakes to supply a greater proportion of the braking force. It functions by adjusting the distribution of braking force to the rear wheels in accordance with the vehicle's loading condition and speed.

The EBD system is an integral part of the ABS system and uses some of the ABS system's components to perform its function of optimizing the distribution of braking force. If any of the ABS components used by the EBD function fails, the EBD system also stops working.

When the EBD system is operating, you may hear a chattering noise or feel a slight vibration in the brake pedal. This is normal and does not indicate a malfunction.

### ■ Steps to take if EBD system fails



If a malfunction occurs in the EBD system, the system stops working and the brake system warning light and ABS warning light come on simultaneously.

The EBD system may be faulty if the brake system warning light and ABS warning light illuminate simultaneously during driving.

Even if the EBD system fails, the conventional braking system will still function. However, the rear wheels will be more prone to locking when the brakes are applied harder than usual and the vehicle's motion may therefore become somewhat harder to control.

If the brake system warning light and ABS warning

light illuminate simultaneously, take the following steps:

1. Stop the vehicle in the nearest safe, flat place.
2. Shut down the engine, then restart it.
3. Release the parking brake. If both warning lights go out, the EBD system may be faulty. Drive carefully to the nearest SUBARU dealer and have the system inspected.
4. If both warning lights come on again and stay illuminated after the engine has been restarted, shut down the engine again, apply the parking brake, and check the brake fluid level.
5. If the brake fluid level is not below the "MIN" mark, the EBD system may be faulty. Drive carefully to the nearest SUBARU dealer and have the system inspected.
6. If the brake fluid level is below the "MIN" mark, DO NOT drive the vehicle. Instead, have the vehicle towed to the nearest SUBARU dealer for repair.

 **WARNING**

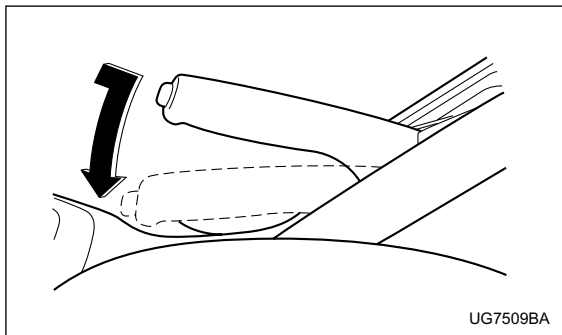
- **Driving with the brake system warning light on is dangerous. This indicates your brake system may not be working properly. If the light remains on, have the brakes inspected by a SUBARU dealer immediately.**
- **If at all in doubt about whether the brakes are**

**operating properly, do not drive the vehicle. Have your vehicle towed to the nearest SUBARU dealer for repair.**

## Parking your vehicle

### ■ Parking brake

To set the parking brake, press the brake pedal firmly and hold it down while fully pulling up the parking brake lever.



To release the parking brake, pull the lever up slightly, press the release button, then lower the lever while keeping the button pressed.

When the parking brake is set while the engine is running, the parking brake warning light comes on. After starting the vehicle, be sure that the warning light has gone out before the vehicle is driven. Refer to the

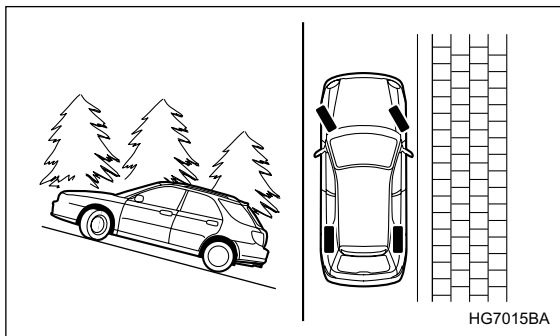
“Warning and indicator lights” section (chapter 3).

### CAUTION

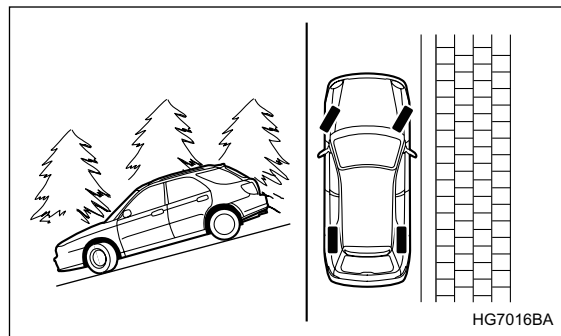
**Never drive while the parking brake is set because this will cause unnecessary wear on the brake linings. Before starting to drive, always make sure that the parking brake has been fully released.**

### ■ Parking tips

When parking your vehicle, always set the parking brake firmly and put the shift lever in the “1” (1st) for an upgrade or “R” (Reverse) for a downgrade for manual transmission vehicles, or in the “P” (Park) position for automatic transmission vehicles. Always set the parking brake firmly when parking your vehicle. Never rely on the transmission alone to hold the vehicle.



When parking on a hill, always turn the steering wheel. When the vehicle is headed up the hill, the front wheels should be turned away from the curb.



When facing downhill, the front wheels should be turned into the curb.

### **⚠ WARNING**

- Never leave unattended children or pets in the vehicle. They could accidentally injure themselves or others through inadvertent operation of the vehicle. Also, on hot or sunny days, the temperature in a closed vehicle could quickly become high enough to cause severe or possibly fatal injuries to people.
- Do not park the vehicle over flammable materials such as dry grass, waste paper or rags, as

– CONTINUED –

they may burn easily if they come near hot engine or exhaust system parts.

- **Be sure to stop the engine if you take a nap in the vehicle. If engine exhaust gas enters the passenger compartment, occupants in the vehicle could die from carbon monoxide (CO) contained in the exhaust gas.**

---

 **CAUTION**

If your vehicle has a front underspoiler and rear underspoiler (both optional), pay attention to blocks and other obstructions on the ground when parking. The underspoilers could be damaged by contact with them.

---

---

## Cruise control

Cruise control enables you to maintain a constant vehicle speed without holding your foot on the accelerator pedal and it is operative when the vehicle speed is 25 mph (40 km/h) or more. Make sure the main switch is turned “OFF” when the cruise control is not in use to avoid unintentionally setting the cruise control.

### NOTE

If you move the cruise control lever while turning the ignition switch “ON”, the cruise control function is deactivated and the “CRUISE” indicator light flashes. To reactivate the cruise control function, turn the ignition switch back to the “ACC” or “LOCK” position, and then turn it again to the “ON” position.

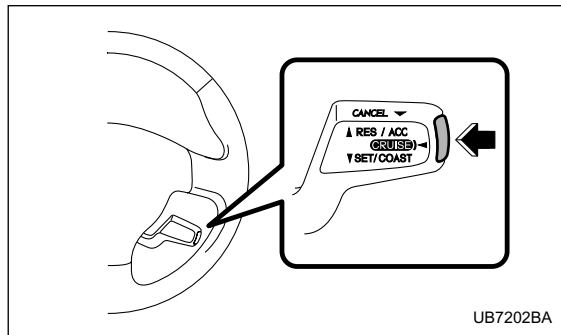
---

 **WARNING**

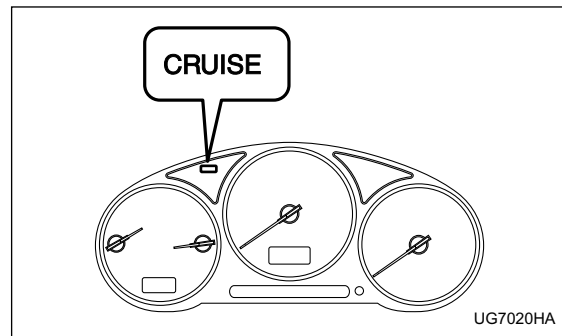
Do not use the cruise control under any of the following conditions. This may cause loss of vehicle control:

- driving up or down a steep grade
  - driving on slippery or winding roads
  - driving in heavy traffic
-

## ■ To set cruise control

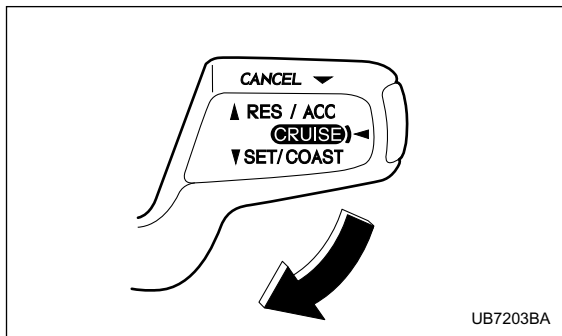


1. Push the main switch button.



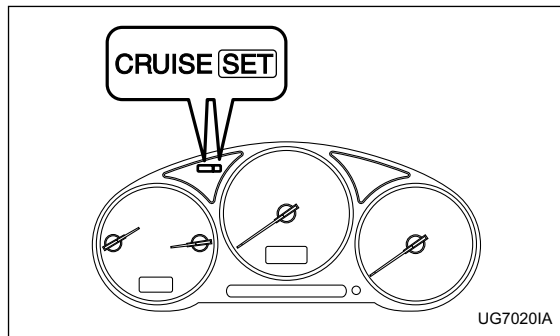
- The “ CRUISE ” indicator light on the combination meter will come on.
2. Depress the accelerator pedal until the vehicle reaches the desired speed.

– CONTINUED –



UB7203BA

3. Push the control lever downward in the “SET/COAST” direction and release it. Then release the accelerator pedal.



UG7020IA

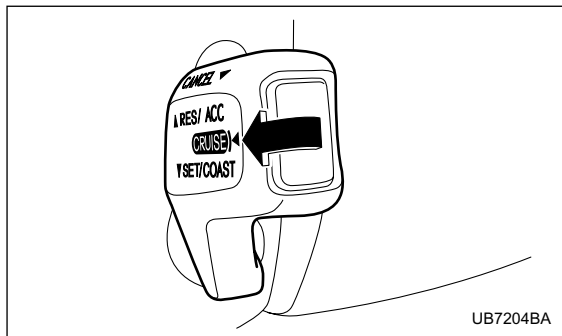
At this time, the “ **SET** ” indicator light is illuminated in the combination meter.

The vehicle will maintain the desired speed.

Vehicle speed can be temporarily increased while driving with the cruise control activated. Simply depress the accelerator pedal to accelerate the vehicle. When the accelerator pedal is released, the vehicle will return to and maintain the previous cruising speed.

### ■ To temporarily cancel the cruise control

There are four ways to cancel the cruise control temporarily:



- Pull the control lever in the “CANCEL” direction (if so equipped).
- Depress the brake pedal.
- Depress the clutch pedal (manual transmission vehicles only).
- Shift the selector lever into the “N” position (automatic transmission vehicles only).
- Shift the shift lever into neutral (manual transmission vehicles only).

The “**SET**” indicator light in the combination meter goes off when the cruise control is cancelled.

To resume the cruise control after it has been temporarily canceled and with vehicle speed of about 20

mph (32 km/h) or more, push the control lever upward in the “RES/ACC” direction to return to the original cruising speed automatically.

The “**SET**” indicator light in the combination meter will automatically come on at this time.

### ■ To turn off the cruise control

There are two ways to turn off the cruise control:

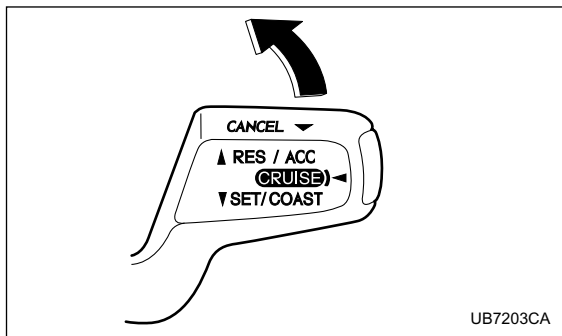
- Push the main switch again.
- Turn the ignition switch to the “ACC” or “LOCK” position (but only when the vehicle is completely stopped).

– CONTINUED –



## ■ To change the cruising speed

### ▼ To increase the speed (by control lever)



Push the control lever upward in the “RES/ACC” direction and hold it until the vehicle reaches the desired speed. Then, release the control lever. The vehicle speed at that moment will be memorized and treated as the new set speed.

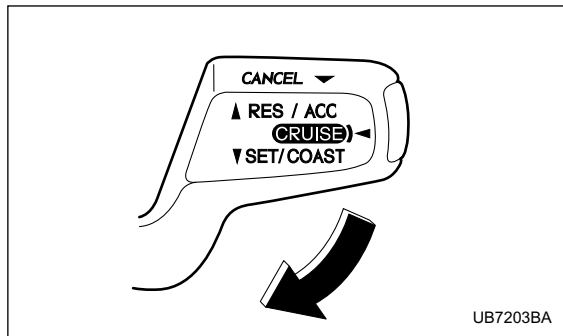
When the difference between the actual vehicle speed and the set speed is less than 4 mph (6.8 km/h), the set speed can be increased 1 mph (1.6 km/h) each time by pressing the control lever upward in the “RES/ACC” direction quickly within 0.25 second.

### ▼ To increase the speed (by accelerator pedal)

1. Depress the accelerator pedal to accelerate the vehicle to the desired speed.
2. Push the control lever downward in the “SET/COAST” direction once. Now the desired speed is set and the vehicle will keep running at that speed without depressing the accelerator pedal.

## NOTE

If the difference between the actual vehicle speed when the control lever is pushed downward and the speed last time you set it is less than 4 mph (6.8 km/h), the vehicle speed will be lowered by 1 mph (1.6 km/h). This occurs because the cruise control system unit regards this lever operation as that intended to decrease the vehicle speed.

**▼ To decrease the speed (by control lever)**

Push the control lever downward in the “SET/COAST” direction and hold it until the vehicle reaches the desired speed. Then, release the control lever. The vehicle speed at that moment will be memorized and treated as the new set speed.

When the difference between the actual vehicle speed and the set speed is less than 4 mph (6.8 km/h), the set speed can be lowered 1 mph (1.6 km/h) each time by pressing the control lever downward in the “SET/COAST” direction quickly within 0.25 second.

**▼ To decrease the speed (by brake pedal)**

1. Depress the brake pedal to release cruise control temporarily.
2. When the speed decreases to the desired speed, press the control lever downward in the “SET/COAST” direction once. Now the desired speed is set and the vehicle will keep running at that speed without depressing the accelerator pedal.

---

---

---

---

---

---

---

---

---

---

---

---

---

New vehicle break-in driving – the first 1,000 miles (1,600 km) .....	8-2	Maximum load limits .....	8-29
Fuel economy hints .....	8-2	Trailer hitches .....	8-34
Engine exhaust gas (Carbon monoxide) ....	8-3	Connecting a trailer .....	8-35
Catalytic converter .....	8-4	Trailer towing tips .....	8-37
Periodic inspections .....	8-6		
Driving in foreign countries .....	8-6		
Driving tips for AWD vehicles .....	8-7		
Off road driving .....	8-8		
All AWD models except OUTBACK SPORT and vehicles with 17 inch tires .....	8-9		
OUTBACK SPORT .....	8-9		
Winter driving .....	8-11		
Operation during cold weather .....	8-11		
Driving on snowy and icy roads .....	8-13		
Corrosion protection .....	8-14		
Snow tires .....	8-14		
Tire chains .....	8-16		
Rocking the vehicle .....	8-16		
Loading your vehicle .....	8-17		
Vehicle capacity weight .....	8-19		
GVWR and GAWR (Gross Vehicle Weight Rating and Gross Axle Weight Rating) .....	8-19		
Roof rail and crossbar (if equipped) .....	8-20		
Trailer hitch (if equipped) .....	8-25		
Connecting a trailer .....	8-25		
When you do not tow a trailer .....	8-28		
Trailer towing .....	8-29		
Warranties and maintenance .....	8-29		

## **New vehicle break-in driving – the first 1,000 miles (1,600 km)**

---

The performance and long life of your vehicle are dependent on how you handle and care for your vehicle while it is new. Follow these instructions during the first 1,000 miles (1,600 km):

- Do not race the engine. And do not allow engine speed to exceed 4,000 rpm except in an emergency.
- Do not drive at one constant engine or vehicle speed for a long time, either fast or slow.
- Avoid starting suddenly and rapid acceleration, except in an emergency.
- Avoid hard braking, except in an emergency.

The same break-in procedures should be applied to an overhauled engine, newly mounted engine or when brake pads or brake linings are replaced with new ones.

## **Fuel economy hints**

---

The following suggestions will help to save your fuel.

- Select the proper gear position for the speed and road conditions.
- Avoid sudden acceleration or deceleration. Always accelerate gently until you reach the desired speed. Then try to maintain that speed for as long as possible.
- Do not pump the accelerator and avoid racing the engine.
- Avoid unnecessary engine idling.
- Keep the engine properly tuned.
- Keep the tires inflated to the correct pressure shown on the tire placard, which is located under the door latch on the driver's side. Low pressure will increase tire wear and fuel consumption.
- Use the air conditioner only when necessary.
- Keep the front and rear wheels in proper alignment.
- Avoid carrying unnecessary luggage or cargo.

---

## Engine exhaust gas (Carbon monoxide)

---

** WARNING**

- Never inhale engine exhaust gas. Engine exhaust gas contains carbon monoxide, a colorless and odorless gas which is dangerous, or even lethal, if inhaled.
- Always properly maintain the engine exhaust system to prevent engine exhaust gas from entering the vehicle.
- Never run the engine in a closed space, such as a garage, except for the brief time needed to drive the vehicle in or out of it.
- Avoid remaining in a parked vehicle for a lengthy time while the engine is running. If that is unavoidable, then use the ventilation fan to force fresh air into the vehicle.
- Always keep the front ventilator inlet grille free from snow, leaves or other obstructions to ensure that the ventilation system always works properly.
- If at any time you suspect that exhaust fumes are entering the vehicle, have the problem checked and corrected as soon as possible. If you must drive under these conditions, drive

only with all windows fully open.

- Keep the trunk lid or rear gate closed while driving to prevent exhaust gas from entering the vehicle.

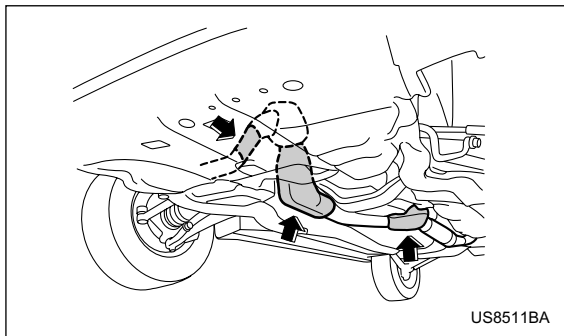
---

### NOTE

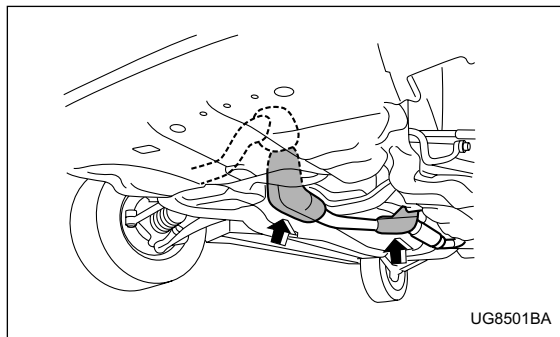
Due to the expansion and contraction of the metals used in the manufacture of the exhaust system, you may hear a crackling sound coming from the exhaust system for a short time after the engine has been shut off. This sound is normal.

## Catalytic converter

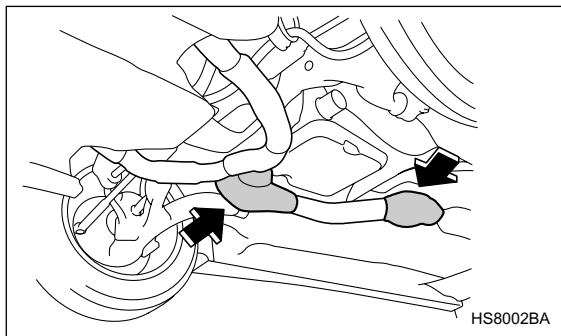
---



**WRX**



**WRX-STi**



#### Non-turbo models

The catalytic converter is installed in the exhaust system. It serves as catalyst to reduce HC, CO and NOx in exhaust gases, thus providing cleaner exhaust.

To avoid damage to the catalytic converter:

- Use only unleaded fuel. Even a small amount of leaded fuel will damage the catalytic converter.
- Never start the engine by pushing or pulling the vehicle.
- Avoid racing the engine.
- Never turn off the ignition switch while the vehicle is moving.
- Keep your engine tuned-up. If you feel the engine

running rough (misfiring, backfiring or incomplete combustion), have your vehicle checked and repaired by an authorized SUBARU dealer.

- Do not apply undercoating or rust prevention treatment to the heat shield of catalytic converter and the exhaust system.

#### **⚠ WARNING**

- **Avoid fire hazards. Do not drive or park the vehicle anywhere near flammable materials (e.g. grass, paper, rags or leaves), because the catalytic converter operates at very high temperatures.**
- **Keep everyone and flammable materials away from the exhaust pipe while the engine is running. The exhaust gas is very hot.**



## **Periodic inspections**

---

To keep your vehicle in the best condition at all times, always have the recommended maintenance services listed in the maintenance schedule in the “Warranty and Maintenance Booklet” performed at the specified time or mileage intervals.

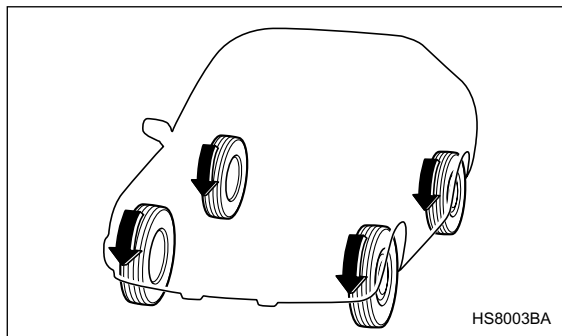
## **Driving in foreign countries**

---

When planning to use your vehicle in another country:

- Confirm the availability of the correct fuel. (Refer to the “Fuel requirements” section in chapter 7.)
- Comply with all regulations and requirements of each country.

## Driving tips for AWD vehicles



All wheel drive distributes the engine power to all four wheels. AWD vehicles provide better traction when driving on slippery, wet or snow-covered roads and when moving out of mud, dirt and sand. By shifting power between the front and rear wheels, SUBARU AWD can also provide added traction during acceleration and added engine braking force during deceleration.

Therefore, your SUBARU AWD vehicle may handle differently than an ordinary two wheel drive vehicle and it contains some features unique to AWD. For

safety purposes as well as to avoid damaging the AWD system, you should keep the following tips in mind:

- An AWD vehicle is better able to climb steeper roads under snowy or slippery conditions than a two wheel drive vehicle. There is little difference in handling, however, during extremely sharp turns or sudden braking. Therefore, when driving down a slope or turning corners, be sure to reduce your speed and maintain an ample distance from other vehicles.
- When replacing a tire, make sure you use only the same size, construction, brand, and load range as the original tires listed on the tire placard. Using other sizes, circumference or construction may result in severe mechanical damage to the drive train of your vehicle and may affect ride, handling, braking, speedometer/odometer calibration, and clearance between the body and tires. It also may be dangerous and lead to loss of vehicle control.
- If you use a temporary spare tire to replace a flat tire, be sure to use the original temporary spare tire stored in the vehicle. Using other sizes may result in severe mechanical damage to the drive train of your vehicle.
- Always check the cold tire pressure before starting to drive. The recommended tire pressure is provided on the tire placard, which is located under the door

– CONTINUED –

latch on the driver's side.

- Tire chains should always be placed on the front wheels only.
- There are some precautions that you must observe when towing your vehicle. For detail information, see the "Towing" section in chapter 9.

**▲ WARNING**

- **Always maintain a safe driving speed according to the road and weather conditions in order to avoid having an accident on a sharp turn, during sudden braking or under other similar conditions.**
  - **Always use the utmost care in driving – overconfidence because you are driving an all wheel drive vehicle could easily lead to a serious accident.**
- 

---

## Off road driving

---

**▲ WARNING**

- **Always maintain a safe driving speed according to the road and weather conditions in order to avoid having an accident on a sharp turn, during sudden braking or under other similar conditions.**
  - **Always use the utmost care in driving – overconfidence because you are driving an all wheel drive vehicle could easily lead to a serious accident.**
- 

**▲ CAUTION**

**Do not drive on rough roads or over curbs in a vehicle that has 17-inch or other ultra-low-profile tires. The wheels and tires could be damaged by shock forces, leading to abnormal vibration or poor straight-line tracking. Driving would then be more difficult.**

---

---

## ■ All AWD models except OUTBACK SPORT and vehicles with 17 inch tires

Your AWD vehicle is neither a conventional off-road vehicle nor an all terrain vehicle. It is a passenger vehicle designed primarily for on-road use. The AWD feature gives it some limited off-road capabilities in situations in which driving surfaces are relatively level, obstruction-free and otherwise similar to on-road driving conditions. Operating it under other than those conditions could subject the vehicle to excessive stress which might result in damage not eligible for repair under warranty. If you do take your SUBARU off road, you should review the common sense precautions in the next section (applicable to the OUTBACK SPORT) for general guidance. But please keep in mind that your vehicle's off-road capabilities are more limited than those of the OUTBACK SPORT.

Never attempt to drive through pools and puddles, or roads flooded with water. Water entering the engine air intake or the exhaust pipe or water splashing onto electrical parts may damage your vehicle and may cause it to stall.

## ■ OUTBACK SPORT

Your Subaru can be driven on ordinary roads or off-road. But please keep in mind that an AWD SUBARU

is a passenger vehicle and is neither a conventional off-road vehicle nor an all-terrain vehicle. If you do take your Subaru off-road, certain common sense precautions such as the following should be taken:

- Make certain that you and all of your passengers are wearing seatbelts.
- Carry some emergency equipment, such as a towing rope or chain, a shovel, wheel blocks, first aid kit and cell phone or citizens band radio.
- Drive carefully. Do not take unnecessary risks by driving in dangerous areas or over rough terrain.
- Slow down and employ extra caution at all times. When driving off-road, you will not have the benefit of marked traffic lanes, banked curves, traffic signs and the like.
- Do not drive across steep slopes. Instead, drive either straight up or straight down the slopes. A vehicle can much more easily tip over sideways than it can end over end. Avoid driving straight up or down slopes that are too steep.
- Avoid sharp turning maneuvers, especially at higher speeds.
- Do not grip the inside or spokes of the steering wheel. A bad bump could jerk the wheel and injure your hands. Instead drive with your fingers and thumbs on the outside of the rim.
- If driving through water, such as when crossing

– CONTINUED –

shallow streams, first check the depth of the water and the bottom of the stream bed for firmness and ensure that the bed of the stream is flat. Drive slowly and completely through the stream. The water should be shallow enough that it does not reach the vehicle's undercarriage. Water entering the engine air intake or the exhaust pipe or water splashing onto electrical parts may damage your vehicle and may cause it to stall. Never attempt to drive through rushing water; regardless of its depth, it can wash away the ground from under your tires, resulting in possible loss of traction and even vehicle rollover.

- Always check your brakes for effectiveness immediately after driving in sand, mud or water. Do this by driving slowly and stepping on the brake pedal. Repeat that process several times to dry out the brake discs and brake pads.
- Do not drive or park over or near flammable materials such as dry grass or fallen leaves, as they may burn easily. The exhaust system is very hot while the engine is running and right after the engine stops. This could create a fire hazard.
- After driving through tall grass, mud, rocks, sand, rivers, etc., check that there is no grass, bush, paper, rags, stones, sand, etc. adhering to or trapped on the underbody. Clear off any such matter from the underbody. If the vehicle is used with these materials

trapped or adhering to the underbody, a mechanical breakdown or fire could occur.

- Secure all cargo carried inside the vehicle and make certain that it is not piled higher than the seatbacks. During sudden stops or jolts, unsecured cargo could be thrown around in the vehicle and cause injury. Do not pile heavy loads on the roof. Those loads raise the vehicle's center of gravity and make it more prone to tip over.
- If you must rock the vehicle to free it from sand or mud, depress the accelerator pedal slightly and move the selector lever back and forth between "D" and "R" repeatedly. Do not race the engine. For the best possible traction, avoid spinning the wheels when trying to free the vehicle.

When the road surface is extremely slippery, you can obtain better traction by starting the vehicle with the transmission in 2nd than 1st (both for MT and AT).

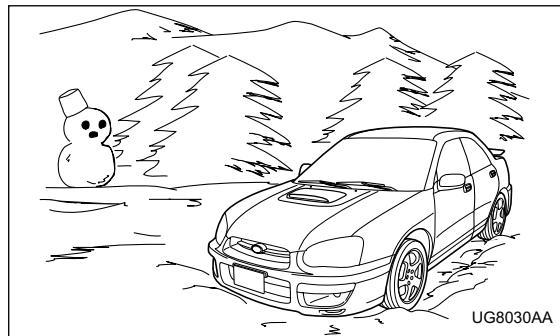
- Never equip your vehicle with tires larger than those specified in this manual.
- Frequent driving of an AWD vehicle under hard-driving conditions such as rough roads or off roads will necessitate more frequent replacement of engine oil, brake fluid and transmission oil than that specified in the maintenance schedule described in the "Warranty and Maintenance Booklet".

Remember that damage done to your Subaru while

operating it off-road and not using common sense precautions such as those listed above is not eligible for warranty coverage.

- Wash the vehicle's underbody after off-road driving. Suspension components are particularly prone to dirt buildup, so they need to be washed thoroughly.

## Winter driving



### ■ Operation during cold weather

Carry some emergency equipment, such as tire chains, a window scraper, a bag of sand, flares, a small shovel, and jumper cables.

Check the battery and cables. Cold temperatures reduce battery capacity. The battery must be in good condition to provide enough power for cold winter starts.

Use an engine oil of proper grade and viscosity for cold weather. Heavy summer oil will cause harder

– CONTINUED –

starting.

Keep the door locks from freezing by squirting them with deicer or glycerin.

Forcing a frozen door open may damage or separate the rubber weather strips around the door. If the door is frozen, use hot water to melt the ice, and afterwards thoroughly wipe the water away.

Use a windshield washer fluid that contains an anti-freeze solution. Do not use engine antifreeze or other substitutes because they may damage the paint of the vehicle.

### ▼ Before driving your vehicle

Before entering the vehicle, remove any snow or ice from your shoes because that could make the pedals slippery and dangerous.

While warming up the vehicle before driving, check that the accelerator pedal, brake pedal, and all other controls operate smoothly.

Clear away ice and snow that has accumulated under the fenders to avoid making steering difficult. During severe winter driving, stop when and where it is safe to do so and check under the fenders periodically.

### ▼ Parking in cold weather

Do not use the parking brake when parking for long periods in cold weather since it could freeze in that position. Instead, observe the following:

1. Place the shift lever in “1” or “R” for manual transmission vehicles, and in “P” for automatic transmission vehicles.
2. Use tire stops under the tires to prevent the vehicle from moving.

When the vehicle is parked in snow or when it snows, raise the wiper blades off the glass to prevent damage to them.

When the vehicle has been left parked after use on roads heavily covered with snow, or has been left parked during a snowstorm, icing may develop on the brake system, which could cause poor braking action. Check for snow or ice buildup on the suspension, disc brakes and brake hoses underneath the vehicle. If there is caked snow or ice, remove it, being careful not to damage the disc brakes and brake hoses and ABS harness.

### **WARNING**

**Snow can trap dangerous exhaust gases under your vehicle. Keep snow clear of the exhaust**

**pipe and from around your vehicle if you park the vehicle in snow with the engine running.**

---

### ▼ Refueling in cold weather

To help prevent moisture from forming in the fuel system and the risk of its freezing, use of an antifreeze additive in the fuel tank is recommended during cold weather.

Use only additives that are specifically designed for this purpose. When an antifreeze additive is used, its effect lasts longer if the tank is refilled whenever the fuel level reaches half empty.

If your SUBARU is not going to be used for an extended period, it is best to have the fuel tank filled to capacity.

### ■ Driving on snowy and icy roads

To prevent skidding and slipping, avoid sudden braking, abrupt acceleration, high-speed driving, and sharp turning when driving on snowy or icy roads.

Always maintain ample distance between your vehicle and the vehicle ahead of you to avoid the need for sudden braking.

To supplement the foot brake, use the engine brake effectively to control the vehicle speed. (Shift into a

lower gear when necessary.)

Avoid shifting down abruptly. Such behavior can cause the wheels to lock, possibly leading to loss of vehicle control.

An anti-lock brake system (ABS) enhances your vehicle's braking performance on snowy and icy roads. Refer to the "ABS (Anti-lock Brake System)" section in chapter 7 for information on braking on slippery surfaces.

### NOTE

**The following tires are summer tires. Compared with winter and all-season tires, summer tires give significantly less grip on snowy and icy road surfaces. Avoid driving on snowy and icy road surfaces with summer tires.**

- 225/45R17 tires for WRX-STi
- Optional 215/45R17 tires for WRX


### WARNING


**Do not use the cruise control on slippery roads such as snowy or icy roads. This may cause loss of vehicle control.**

---



### ▼ Wiper operation when snowing

Before driving in cold weather, make sure the wiper blades are not frozen to the windshield or rear window. If the wiper blades are frozen to the windshield or rear window, use the defroster with the airflow control dial in the “” position and the temperature control dial set for maximum warmth until the wiper blades are completely thawed out. If your vehicle is equipped with a wiper deicer, it is helpful to thaw the windshield wiper blades. To thaw out the rear wiper blade, use the rear window defogger.

When driving in snow, if frozen snow starts to stick on the surface of the windshield despite wiper operation, use the defroster with the airflow control dial in “” and the temperature control dial set for maximum warmth. After the windshield gets warmed enough to melt the frozen snow on it, wash it away using the windshield washer.

Snow stuck on the wiper arm prevents the wiper from working effectively. If snow is stuck on the wiper arm, pull off the road to a safe place, then remove it. If you stop the vehicle at road side, use the hazard warning flasher to alert other drivers.

We recommend use of non-freezing type wiper blades (winter blades) during the seasons you could have

snow and sub-zero temperatures. Blades of this type give superior wiping performance in snowy conditions. Be sure to use blades that are suitable for your vehicle.

### ■ Corrosion protection

Refer to the “Corrosion protection” section (chapter 10).

### ■ Snow tires

#### ▼ All models except WRX-STi

#### WARNING

- When replacing original tires with winter (snow) tires, make sure you use only the same size, construction and load range as the original tires listed on the tire placard. Using other sizes and construction may affect speedometer/odometer calibration and clearance between the body and tires. It also may be dangerous and lead to loss of vehicle control.
- You must install four winter tires that are of the same size, construction, brand, and load range. Mixing other sizes or constructions may result in severe mechanical damage to the drive

**train of your vehicle and may affect ride, handling, braking and speedometer/odometer calibration. It also may be dangerous and lead to loss of vehicle control.**

- **Do not use a combination of radial, belted bias or bias tires since it may cause dangerous handling characteristics and lead to an accident.**

Your vehicle is equipped with “all season tires” as original equipment, which are designed to provide an adequate measure of traction, handling and braking performance in year-round driving. In winter, it may be possible to enhance performance through use of tires designed specifically for winter driving conditions.

The optional 215/45R17 tires for the WRX are summer tires. Compared with winter and all-season tires, summer tires give significantly less grip on snowy and icy road surfaces. Therefore, use of winter tires is strongly recommended when driving with such road conditions. When you choose to install winter tires on your vehicle, be sure to use the correct tire size and type. You must install four winter tires that are of the same size, construction, brand and load range and you should never mix radial, belted bias or bias tires since this may result in dangerous handling characteristics. When you choose a tire, make sure that there is

enough clearance between the tire and vehicle body.

Remember to drive with care at all times regardless of the type of tires on your vehicle.

#### ▼ WRX-STi

### **WARNING**

- **When replacing original tires with winter (snow) tires, make sure you use only the same size, construction and load range as the original tires listed on the tire placard. Using other sizes and construction may affect speedometer/odometer calibration and clearance between the body and tires. It also may be dangerous and lead to loss of vehicle control.**
- **You must install four winter tires that are of the same size, construction, brand, and load range. Mixing other sizes or constructions may result in severe mechanical damage to the drive train of your vehicle and may affect ride, handling, braking and speedometer/odometer calibration. It also may be dangerous and lead to loss of vehicle control.**
- **Do not use a combination of radial, belted bias or bias tires since it may cause dangerous handling characteristics and lead to an acci-**

– CONTINUED –

**dent.**

Your vehicle is equipped with “summer tires” as original equipment, which are inadequate for driving on slippery roads such as on snow-covered or icy roads. Compared with winter and all-season tires, summer tires give significantly less grip on snowy and icy road surfaces. Therefore, use of winter tires is strongly recommended when driving with such road conditions. When you choose to install winter tires on your vehicle, be sure to use the correct tire size and type. You must install four winter tires that are of the same size, construction, brand and load range and you should never mix radial, belted bias or bias tires since this may result in dangerous handling characteristics. When you choose a tire, make sure that there is enough clearance between the tire and vehicle body.

Remember to drive with care at all times regardless of the type of tires on your vehicle.

■ **Tire chains**

Driving on snowy grades or icy roads may require the use of tire chains, in which case put the chains on the front wheels only. Use only SAE class S type chains that are of the correct size for your tires so as not to

damage the vehicle body or suspension.

When driving with tire chains, drive at speeds below 19 mph (30 km/h).

When a temporary spare tire is on a front wheel, replace the temporary spare tire with the rear tire on the same side of the vehicle, and then fit chains on the front tires.

Always use the utmost care when driving with tire chains — overconfidence because you are driving with tire chains could easily lead to a serious accident.

 **CAUTION**

**Tire chains cannot be used on tires listed below because of lack of clearance between the tires and vehicle body.**

- **225/45R17 tires for WRX-STi**
- **Optional 215/45R17 tires for WRX**

■ **Rocking the vehicle**

If you must rock the vehicle to free it from snow, sand, or mud, depress the accelerator pedal slightly and move the selector lever back and forth between “D” and “R” repeatedly. Do not race the engine. For the best possible traction, avoid spinning the wheels when

trying to free the vehicle.

When the road surface is extremely slippery, you can obtain better traction by starting the vehicle with the transmission in 2nd than 1st (both for MT and AT).

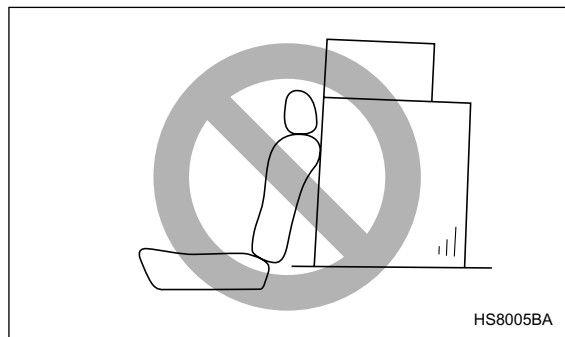
Refer to the “Automatic transmission” section in chapter 7 for information on holding the transmission in 2nd position.

## Loading your vehicle

### **WARNING**

- **Never allow passengers to ride on the folded rear seatback, in the trunk or in the cargo area. Doing so may result in serious injury.**
- **Never stack luggage or other cargo higher than the top of the seatback because it could tumble forward and injure passengers in the event of a sudden stop or accident. Keep luggage or cargo low, as close to the floor as possible.**

– CONTINUED –



**⚠ WARNING**

- When you carry something inside the vehicle, secure it whenever you can to prevent it from being thrown around inside the vehicle during sudden stops, sharp turns or in an accident.
- Do not pile heavy loads on the roof. These loads raise the vehicle's center of gravity and make it more prone to tip over.
- Secure lengthy items properly to prevent them from shooting forward and causing serious injury during a sudden stop.
- Never exceed the maximum load limit. If you do, some parts on your vehicle can break, or it

can change the way your vehicle handles. This could result in loss of control and cause personal injury. Also, overloading can shorten the life of your vehicle.

- Do not place anything on the rear shelf behind the rear seatback (for sedan) or the extended luggage cover (for wagon). Such items could tumble forward in the event of a sudden stop or a collision. This could cause serious injury.

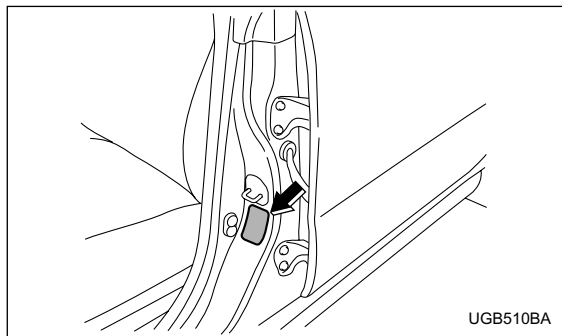
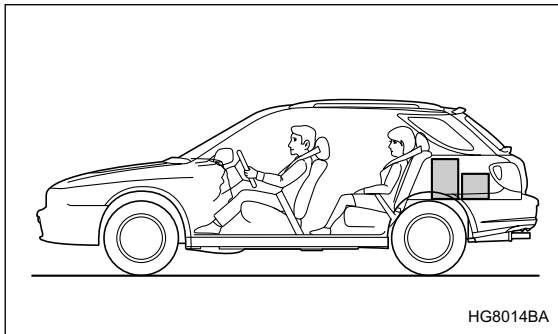
**⚠ CAUTION**

Do not carry spray cans, containers with flammable or corrosive liquids or any other dangerous items inside the vehicle.

**NOTE**

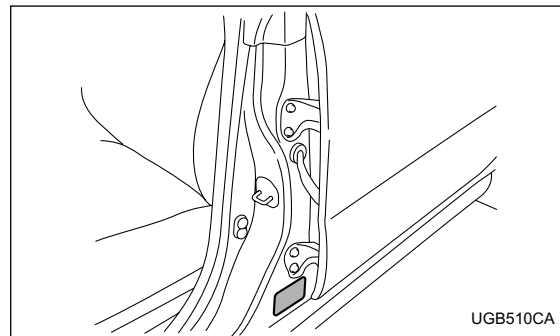
For better fuel economy, do not carry unneeded cargo.

## ■ Vehicle capacity weight



The load capacity of your vehicle is determined by weight, not by available cargo space. The maximum load you can carry in your vehicle is shown on the vehicle placard attached to the driver's side door pillar. It includes the total weight of driver and all passengers and their belongings, any optional equipment such as a trailer hitch, roof rack or bike carrier, etc., and the tongue load of a trailer.

## ■ GVWR and GAWR (Gross Vehicle Weight Rating and Gross Axle Weight Rating)



The certification plate attached to the driver's side

– CONTINUED –

door jamb shows GVWR (Gross Vehicle Weight Rating) and GAWR (Gross Axle Weight Rating).

The GVW (Gross Vehicle Weight) must never exceed the GVWR. GVW is the combined total of weight of the vehicle, fuel, driver, all passengers, luggage, any optional equipment and trailer tongue load. Therefore, the GVW changes depending on the situation. The GVWR equals Curb Weight (actual weight of your vehicle – including standard equipment, fluids, emergency tools and spare tire assembly) plus the vehicle capacity weight.

In addition, the total weight applied to each axle (GAW) must never exceed the GAWR. The front and rear GAWs can be adjusted by relocating luggage inside the vehicle.

Even if the total weight of your luggage is lower than the vehicle capacity weight, either front or rear GAW may exceed the GAWR, depending on the distribution of the luggage.

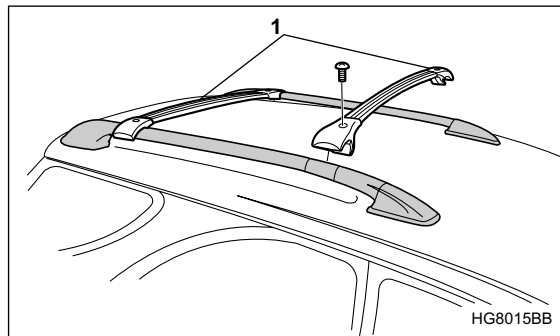
When possible, the load should be evenly distributed throughout the vehicle.

If you carry heavy loads in the vehicle, you should confirm that GVW and front and rear GAWs are within the GVWR and GAWR by putting your vehicle on a vehicle scale, found at a commercial weighing station.

Do not use replacement tires with a lower load range

than the originals because they may lower the GVWR and GAWR limitations. Replacement tires with a higher load range than the originals do not increase the GVWR and GAWR limitations.

### ■ Roof rail and crossbar (if equipped)



1) Crossbar kit

The roof rail is not designed to carry cargo by itself. Cargo can be carried after securing the roof crossbar kit to the roof rail and installing the appropriate carrying attachment. When installing the roof crossbar kit, follow the manufacturer's instructions.

When you carry cargo on the roof using the roof crossbar kit and a carrying attachment, never exceed the maximum load limit explained below. You should also be careful that your vehicle does not exceed the Gross Vehicle Weight Rating (GVWR) and front and rear Gross Axle Weight Rating (GAWR). See the “Loading your vehicle” section in this chapter for information on loading cargo into or onto your vehicle. The maximum load limit of the cargo, crossbars and carrying attachment must not exceed 100 lbs (45 kg). Place the heaviest load at the bottom, nearest the roof, and evenly distribute the cargo. Always properly secure all cargo.

### CAUTION

- For cargo carrying purposes, the roof rail must be used together with a roof crossbar kit and the appropriate carrying attachment. The roof rail must never be used alone to carry cargo. Otherwise, damage to the roof or paint or a dangerous road hazard due to loss of cargo could result.
- When using the roof crossbar kit, make sure that the total weight of the crossbars, carrying attachment and cargo does not exceed the maximum load limit. Overloading may cause damage to the vehicle and create a safety hazard.

ard.

### ▼ Installing carrying attachments on the crossbars

When installing any carrying attachment such as a bike carrier, ski carrier, kayak carrier, cargo basket, etc. on the crossbars, follow the manufacturer’s instructions and make sure that the attachment is securely fixed to the crossbars. Use only attachments designed specifically for the crossbars. A set of the crossbars is designed to carry loads (cargo and attachment) of not more than **100 lbs (45 kg)**. Before operating the vehicle, make sure that the cargo is properly secured on the attachment.

### NOTE

Remember that the vehicle’s center of gravity is altered with the weight of the load on the roof, thus affecting the driving characteristics.

Drive carefully. Avoid rapid starts, hard cornering and abrupt stops. Crosswind effects will be increased.

### ▼ Removal and installation of the crossbars

The crossbars can be removed when you do not use the roof to carry cargo.

– CONTINUED –



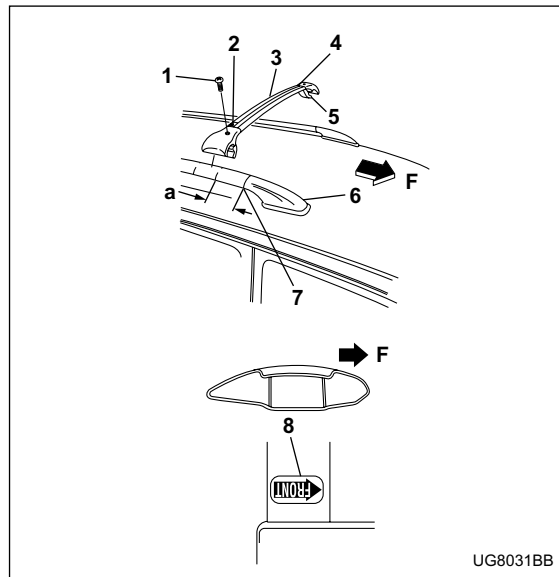
▽ **To remove the crossbar**

1. Loosen and remove the T-30 torx® head screw from the top of each crossbar end support.
2. Rotate the lower clamp on the bottom of each end support downward approximately 90°.
3. Carefully raise the crossbar from roof rails.

▽ **To install the crossbar**

**Front crossbar:**

Front crossbar has 100 LBS. Load Label on left hand side.



UG8031BB

- F: Front of vehicle
- 1) T30 torx® head screw
  - 2) Front arrow label
  - 3) Front crossbar
  - 4) 100LBS load label
  - 5) Lower clamp
  - 6) Roof rail end support
  - 7) Joint line
  - 8) Front arrow label
- a: 3 inches (76 mm)

1. Before placing the crossbar on the roof rails, make sure that the T-30 torx® head screw is removed from the top of each crossbar end support.
2. Rotate the lower clamp on the bottom of each end support downward approximately 90°.
3. With the front direction arrow label on the top right side of the crossbar pointing toward the front of the vehicle, carefully place the crossbar across the top of the vehicle so that the crossbar end supports rest on the top of the roof rails approximately 3 inches (76 mm) rearward from the seam (joint) between the front roof rail support and the roof rail.
4. Rotate (raise) the lower clamp up to the bottom of the roof rail and loosely tighten the T-30 torx® head screw with the torx® wrench provided, through the top of the end support and into the threaded insert in the lower clamp on each end of the crossbar.

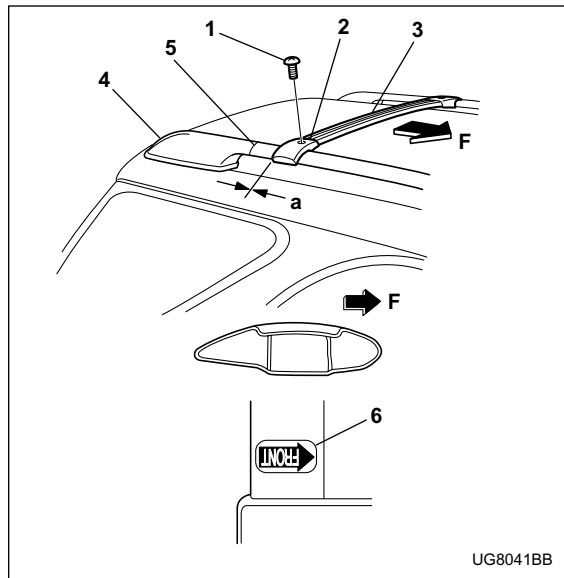
## NOTE

**It may be necessary to squeeze the lower clamp and the end support together to compress the pads and gain a better alignment of the pieces while trying to start the screw. Use care not to crossthread the screw in the insert.**

5. Adjust the alignment of the crossbar on the roof rails, and if available, use a T-30 torx® bit and torque wrench and tighten the T-30 torx® head screws to 30 to 35 lbf-in (3.4 to 4.0 N·m, 0.35 to 0.41 kgf·m) of torque (or tighten securely with the torx® wrench provided).

– CONTINUED –

Rear crossbar:



F: Front of vehicle

- 1) T30 torx® head screw
- 2) Front arrow label
- 3) Rear crossbar

- 4) Roof rail end support
- 5) Joint line
- 6) Front arrow label
- a: 0 inch (0 mm)

Install the rear crossbar in the same manner as the front crossbar.

**NOTE**

The rear crossbar should be positioned just in front of the rear seam (joint) between the rear roof rail support and the roof rail.

**CAUTION**

Do not carry cargo on the roof when the crossbars are removed. Luggage on the roof will be thrown forward or backward in sudden stops or rapid accelerations, resulting in a dangerous road hazard.

**NOTE**

Before each use of the roof crossbar, make sure the four T-30 crossbar clamp screws have been checked, and retightened if necessary to 35 lbf-in (4.0 N·m, 0.41 kgf·m), as outlined in Step #5 above.

## Trailer hitch (if equipped)

The trailer hitch is designed to tow a Class 1 rated load. A maximum of **2,000 lbs (906 kg)** gross trailer weight and a maximum of **200 lbs (90 kg)** gross tongue weight are permissible for the trailer hitch.

When you tow a trailer, follow the instructions in the section “Trailer towing” in this chapter.

### **WARNING**

- **Never exceed the maximum weight specified for the trailer hitch. Exceeding the maximum weight could cause an accident resulting in serious personal injuries. Permissible trailer weight changes depending on the situation. Refer to the section “Trailer towing” in this chapter for possible recommendations and limitations.**

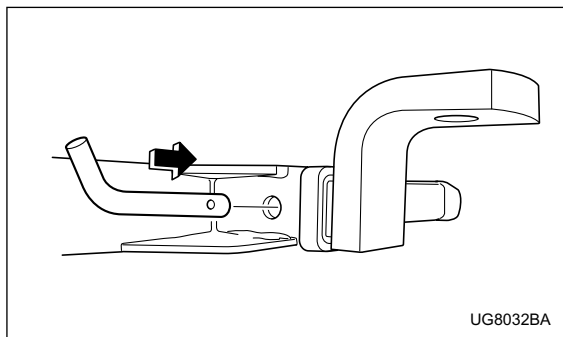
- **Trailer brakes are required when the towing load exceeds 1,000 lbs (453 kg). Be sure your trailer has safety chains and that each chain will hold the trailer’s maximum gross weight. Towing trailers without safety chains could create a traffic safety hazard if the trailer separates from the hitch due to coupling damage or hitch ball damage.**

- **Be sure to check the hitch pin and safety pin for positive locking placement before towing a trailer. If the ball mount comes off the hitch receiver, the trailer could get loose and create a traffic safety hazard.**

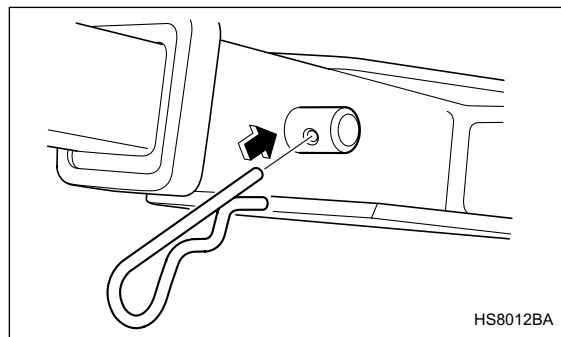
- **Use only the ball mount supplied with this hitch. Use the hitch only as a weight carrying hitch. Do not use with any type of weight distributing hitch.**

### ■ **Connecting a trailer**

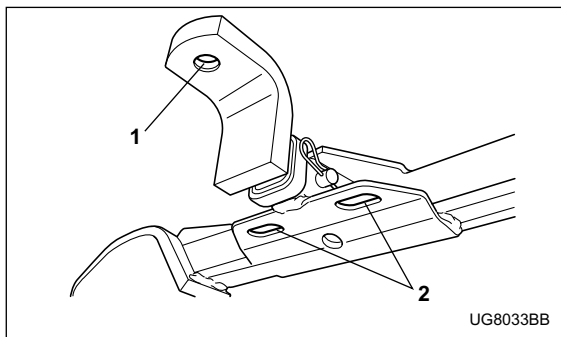
1. Remove the receiver cover from the hitch receiver tube. Then insert the ball mount into the hitch receiver tube.



2. Insert the hitch pin into the hole on the hitch receiver tube so that the pin passes through the ball mount.



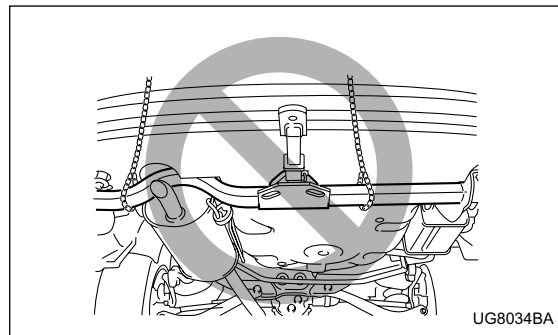
3. Insert the safety pin securely into the hitch pin.  
4. Pull the ball mount to make sure it does not come off the hitch receiver.



- 1) Hitch ball installation point
- 2) Hooks for safety chains

5. Use only a hitch ball that is appropriate for the ball mount and your trailer. The hitch ball must be securely installed on the ball mount.
6. Connect your trailer to the hitch ball.
7. Connect the trailer and the hitch with safety chains that will hold the trailer's maximum gross weight. The chains should cross under the trailer tongue to prevent the tongue from dropping onto the ground in case it should disconnect from the hitch ball. Allow sufficient slack in the chains taking tight-turn situations into account; however, be careful not to let them drag on the

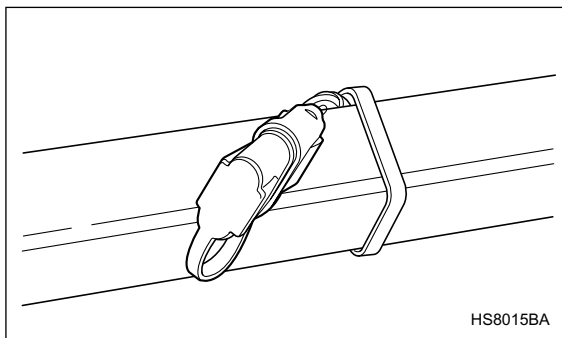
ground.



**⚠ WARNING**

**Do not connect safety chains to part of the vehicle other than the safety chain hooks.**

– CONTINUED –



**Hitch harness connector – Wagon**

8. Connect the hitch wire harness's black four-pin wire connector to the towing trailer's wire harness
9. Confirm proper function of the hitch wire harness by individually activating the brake, right turn signal, left turn signal, stop, and parking lights on the trailer.

**NOTE**

**Always disconnect the trailer wire harness before launching or retrieving a watercraft.**

**■ When you do not tow a trailer**

- Remove the ball mount from the hitch receiver tube

and insert the receiver cover onto the hitch receiver tube.

- Place the dust cap over the four-pin connector of the hitch wire harness to protect against possible damage.
- Occasionally lubricate terminals of the four-pin connector using terminal grease.

## Trailer towing

Your vehicle is designed and intended to be used primarily as a passenger-carrying vehicle. Towing a trailer puts additional loads on your vehicle's engine, drivetrain, brakes, tires and suspension and has an adverse effect on fuel economy.

If you do decide to tow a trailer, your safety and satisfaction depend upon proper use of correct equipment and cautious operation of your vehicle. Seek the advice of your SUBARU dealer to assist you in purchasing a hitch and other necessary towing equipment appropriate for your vehicle. In addition, be sure to follow the instructions on correct installation and use provided by the trailer and other towing equipment manufacturers.

SUBARU assumes no responsibility for injuries or vehicle damage that result from trailer towing equipment, or from any errors or omissions in the instructions accompanying such equipment or for your failure to follow the proper instructions.

### ■ Warranties and maintenance

SUBARU warranties do not apply to vehicle damage or malfunction caused by trailer towing. If you use your vehicle to tow a trailer, more frequent maintenance will be required due to the additional load. (Refer to "Main-

tenance schedule under severe driving conditions" in the "Warranty and Maintenance Booklet".)

Under no circumstances should a trailer be towed with a new vehicle or a vehicle with any new powertrain component (engine, transmission, differential, wheel bearings, etc.) for the first 1,000 miles (1,600 km) of driving.

### ■ Maximum load limits

#### WARNING

**Never exceed the maximum load limits explained below. Exceeding the maximum load limits could cause personal injury and/or vehicle damage.**

#### CAUTION

- Adequate size trailer brakes are required when the trailer and its cargo exceed 1,000 lbs (453 kg) total weight.
- Before towing a trailer, check the trailer total weight, GVW, GAWs and tongue load. Make sure the load and its distribution in your vehicle

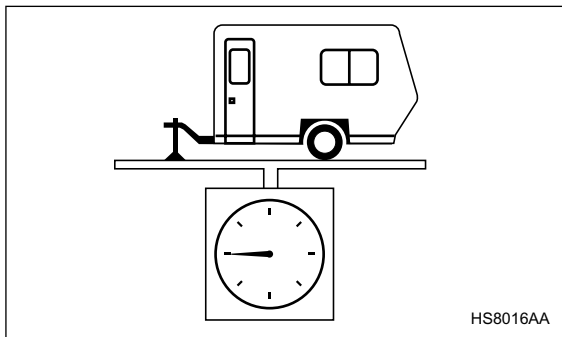
– CONTINUED –



and trailer are acceptable.

---

**▼ Total trailer weight**

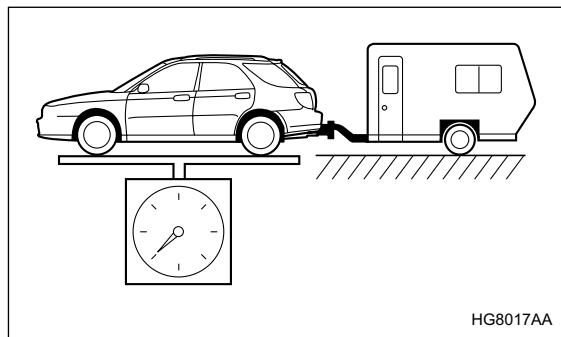


**Total trailer weight**

The total trailer weight (trailer weight plus its cargo load) must never exceed the maximum weight shown in the following table.

Model	Conditions	Maximum total trailer weight
MT models	When towing a trailer without brakes.	1,000 lbs (453 kg)
	When towing a trailer with brakes.	2,000 lbs (906 kg)
AT models	When towing a trailer without brakes.	1,000 lbs (453 kg)
	When towing a trailer with brakes.	2,000 lbs (906 kg)
	When towing a trailer on a long uphill grade continuously for over 5 miles (8 km) with an outside temperature of 104°F (40°C) or above.	1,000 lbs (453 kg)

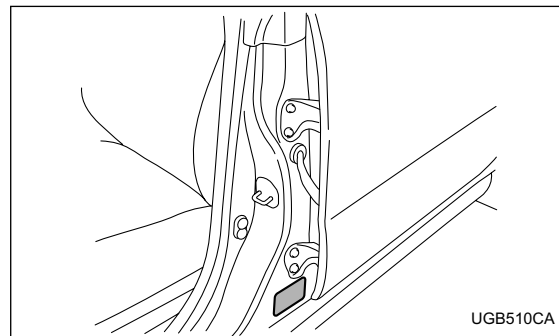
### ▼ Gross Vehicle Weight (GVW) and Gross Vehicle Weight Rating (GVWR)



#### Gross Vehicle Weight

The Gross Vehicle Weight (GVW) must never exceed the Gross Vehicle Weight Rating (GVWR).

Gross Vehicle Weight (GVW) is the combined total of the weight of the vehicle, driver, passengers, luggage, trailer hitch, trailer tongue load and any other optional equipment installed on your vehicle. Therefore, the GVW changes depending on the situation. Determine the GVW each time before going on a trip by putting your vehicle and trailer on a vehicle scale.

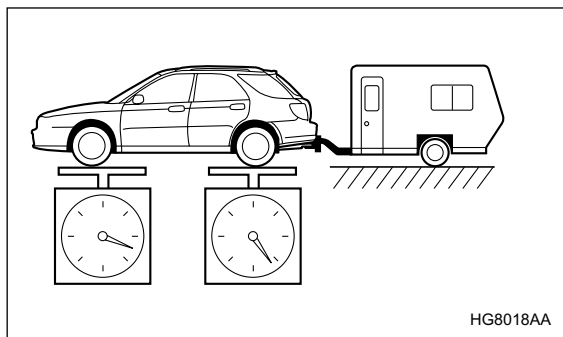


#### Certification label

GVWR is shown on the certification plate located on the driver's side door jamb of your vehicle.

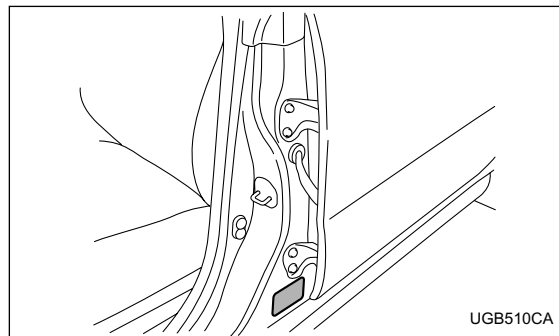
– CONTINUED –

▼ **Gross Axle Weight (GAW) and Gross Axle Weight Rating (GAWR)**



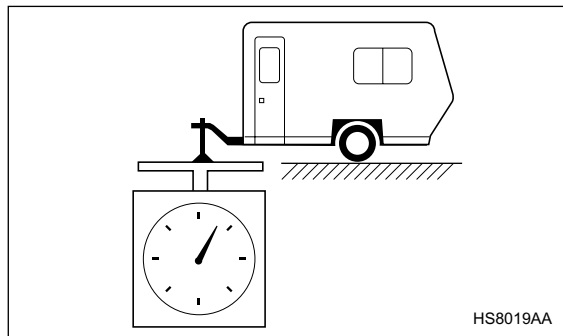
**Gross Axle Weight**

The total weight applied to each axle (GAW) must never exceed the Gross Axle Weight Rating (GAWR). The front and rear GAWs can be adjusted by relocating passengers and luggage inside the vehicle. The front and rear GAWR are also shown on the certification plate.

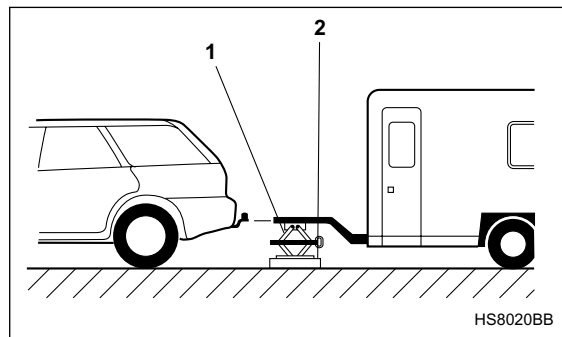


**Certification label**

To check both GVWR and GAWR and to confirm that the total weight and weight distribution are within safe driving limits, you should have your vehicle and trailer weighed at a commercial weighing station. Be sure that all cargo is firmly secured to prevent a change in weight distribution while driving.

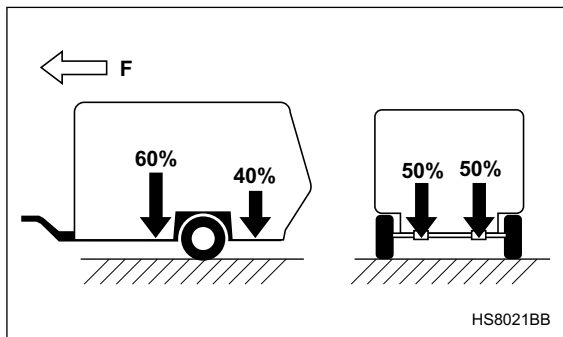
**▼ Tongue load****Tongue load**

Ensure that the trailer tongue load is from 8 to 11 percent of the total trailer weight and does not exceed the maximum value of 200 lbs (90 kg).



- 1) Jack
- 2) Bathroom scale

The tongue load can be weighed with a bathroom scale as shown in the following illustration. When weighing the tongue load, be sure to position the towing coupler at the height at which it would be during actual towing, using a jack as shown.



F: Front of vehicle

The tongue load can be adjusted by proper distribution of the load in the trailer. Never load the trailer with more weight in the back than in the front; approximately 60 percent of the trailer load should be in the front and approximately 40 percent in the rear. Also, distribute the load as evenly as possible on both the left and right sides.

Be sure that all cargo is firmly secured to prevent a change in weight distribution while driving.

**⚠ WARNING**

If the trailer is loaded with more weight in the

back of trailer's axle than in the front, the load is taken off the rear axle of the towing vehicle. This may cause the rear wheels to skid, especially during braking or when vehicle speed is reduced during cornering, resulting in oversteer, spin out and/or jackknifing.

**■ Trailer hitches**

Choose a proper hitch for your vehicle and trailer.

**⚠ WARNING**

Never drill the frame or under-body of your vehicle to install a commercial trailer hitch. If you do, dangerous exhaust gas, water or mud may enter the passenger compartment through the drilled hole. Exhaust gas contains carbon monoxide, a colorless and odorless gas which is dangerous, or even lethal, if inhaled. Also, drilling the frame or under-body of your vehicle could cause deterioration of strength of your vehicle and cause corrosion around the drilled hole.

**▲ CAUTION**

- **Do not modify the vehicle exhaust system, brake system, or other systems when installing a hitch or other trailer towing equipment.**
- **Do not use axle-mounted hitches as they can cause damage to the axle housing, wheel bearings, wheels or tires.**

**▼ WAGON including OUTBACK SPORT**

The use of a genuine SUBARU trailer hitch is recommended. A genuine SUBARU hitch is available from your SUBARU dealer.

If use of a non-genuine hitch is unavoidable, be sure the hitch is suited to your vehicle and trailer. Consult with a professional hitch supplier to assist you in choosing an appropriate hitch for your vehicle. Be sure to follow all of the hitch manufacturer's instructions for installation and use.

Never use a hitch that mounts only to the rear bumper. The bumper is not designed to handle that type of load.

For all types of hitches, regularly check that the hitch mounting bolts and nuts are tight.

**▼ SEDAN**

SUBARU does not offer accessory trailer hitches. Consult with a professional hitch supplier to assist you in choosing an appropriate hitch for your vehicle. Be sure to follow all of the hitch manufacturer's instructions for installation and use.

Never use a hitch that mounts only to the rear bumper. The bumper is not designed to handle that type of load.

Regularly check that the hitch mounting bolts and nuts are tight.

**■ Connecting a trailer****▼ Trailer brakes**

If your trailer's total weight (trailer weight plus its cargo weight) exceeds 1,000 lbs (453 kg), the trailer is required to be equipped with its own brake system. Electric brakes or surge brakes are recommended, and must be installed properly. Check that your trailer's brakes conform with Federal, state/province and/or other applicable regulations. Your SUBARU's brake system is not designed to be tapped into the trailer's hydraulic brake system.

Please ask your SUBARU dealer and professional trailer supplier for more information about the trailer's brake system.

– CONTINUED –

**⚠ WARNING**

- Adequate size trailer brakes are required when the trailer and its cargo exceed 1,000 lbs (453 kg) total weight.
- Do not directly connect your trailer's hydraulic brake system to the hydraulic brake system in your vehicle. Direct connection would cause the vehicle's brake performance to deteriorate and could lead to an accident.

**▼ Trailer safety chains**

In case the trailer hitch connector or hitch ball should break or become disconnected, the trailer could get loose and create a traffic safety hazard.

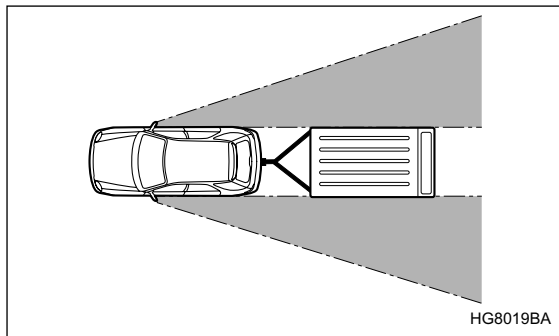
For safety, always connect the towing vehicle and trailer with trailer safety chains. Pass the chains crossing each other under the trailer tongue to prevent the trailer from dropping onto the ground in case the trailer tongue should disconnect from the hitch ball. Allow sufficient slack in the chains taking tight-turn situations into account; however, be careful not to let them drag on the ground.

For more information about the safety chain connection, refer to the instructions for your hitch and trailer.

**⚠ WARNING**

Always use safety chains between your vehicle and the trailer. Towing a trailer without safety chains could create a traffic safety hazard if the trailer separates from the hitch due to coupling damage or hitch ball damage.

**▼ Side mirrors**



After hitching a trailer to your vehicle, check that the standard side mirrors provide a good rearward field of view without significant blind spots. If significant blind spots occur with the vehicle's standard side mirrors,

use towing mirrors that conform with Federal, state/province and/or other applicable regulations.

### ▼ Trailer lights

Connection of trailer lights to your vehicle's electrical system requires modifications to the vehicle's lighting circuit to increase its capacity and accommodate wiring changes. To ensure the trailer lights are connected properly, please consult your SUBARU dealer. Check for proper operation of the turn signals, the brake lights and parking lights each time you hitch up.

#### CAUTION

**Direct splicing or other improper connection of trailer lights may damage your vehicle's electrical system and cause a malfunction of your vehicle's lighting system.**

### ▼ Tires

Make sure that all the tires on your vehicle are properly inflated to the pressure specified on the tire placard located on the left center pillar of your vehicle.

Trailer tire condition, size, load rating and proper inflation pressure should be in accordance with the trailer manufacturer's specifications.

In the event your vehicle gets a flat tire when towing a trailer, ask a commercial road service to repair the flat tire.

If you carry a regular size spare tire in your vehicle or trailer as a precaution against getting a flat tire, be sure that the spare tire is firmly secured.

#### WARNING

**Never tow a trailer when the temporary spare tire is used. The temporary spare tire is not designed to sustain the towing load. Use of the temporary spare tire when towing can result in failure of the spare tire and/or less stability of the vehicle.**

### ■ Trailer towing tips

#### CAUTION

- **Never exceed 45 mph (72 km/h) when towing a trailer in hilly country on hot days.**
- **When towing a trailer, steering, stability, stopping distance and braking performance will be different from normal operation. For safety's sake, you should employ extra caution**

– CONTINUED –



**when towing a trailer and you should never speed. You should also keep the following tips in mind:**

**▼ Before starting out on a trip**

- Check that the vehicle and vehicle-to-hitch mounting are in good condition. If any problems are apparent, do not tow the trailer.
- Check that the vehicle sits horizontally with the trailer attached. If the vehicle is tipped sharply up at the front and down at the rear, check the total trailer weight, GVW, GAWs and tongue load again, then confirm that the load and its distribution are acceptable.
- Check that the tire pressures are correct.
- Check that the vehicle and trailer are connected properly. Confirm that
  - the trailer tongue is connected properly to the hitch ball.
  - the trailer lights connector is connected properly and trailer's brake lights illuminate when the vehicle's brake pedal is pressed, and that the trailer's turn signal lights flash when the vehicle's turn signal lever is operated.
  - the safety chains are connected properly.
  - all cargo in the trailer is secured safely in position.
  - the side mirrors provide a good rearward field of

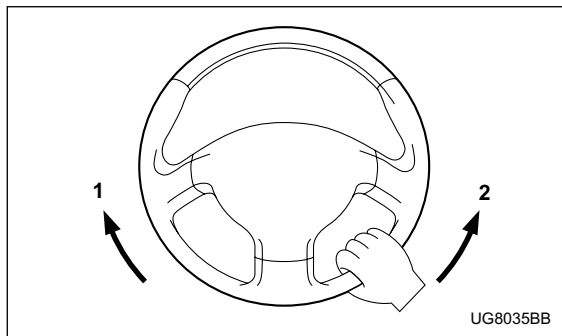
view without a significant blind spot.

- Sufficient time should be taken to learn the “feel” of the vehicle/trailer combination before starting out on a trip. In an area free of traffic, practice turning, stopping and backing up.

**▼ Driving with a trailer**

- You should allow for considerably more stopping distance when towing a trailer. Avoid sudden braking because it may result in skidding or jackknifing and loss of control.
- Avoid abrupt starts and sudden accelerations. If your vehicle has a manual transmission, always start out in first gear and release the clutch at moderate engine revolution.
- Avoid uneven steering, sharp turns and rapid lane changes.
- Slow down before turning. Make a longer than normal turning radius because the trailer wheels will be closer than the vehicle wheels to the inside of the turn. In a tight turn, the trailer could hit your vehicle.
- Crosswinds will adversely affect the handling of your vehicle and trailer, causing sway. Crosswinds can be due to weather conditions or the passing of large trucks or buses. If swaying occurs, firmly grip the steering wheel and slow down immediately but gradually.
- When passing other vehicles, considerable dis-

tance is required because of the added weight and length caused by attaching the trailer to your vehicle.



- 1) Left turn
- 2) Right turn

- Backing up with a trailer is difficult and takes practice. When backing up with a trailer, never accelerate or steer rapidly. When turning back, grip the bottom of the steering wheel with one hand and turn it to the left for a left turn, and turn it to the right for a right turn.
- If the ABS warning light illuminates while the vehicle is in motion, stop towing the trailer and have repairs performed immediately by the nearest SUBARU dealer.

### ▼ Driving on grades

- Before going down a steep hill, slow down and shift into lower gear (if necessary, use 1st gear) in order to utilize the engine braking effect and prevent overheating of your vehicle's brakes. Do not make sudden downshifts.
- When driving uphill in hot weather, the air conditioner may turn off automatically to protect the engine from overheating.
- When driving uphill in hot weather, pay attention to the water temperature gauge pointer (for all vehicles) and AT OIL TEMP warning light (for AT vehicles) since the engine and transmission are relatively prone to overheating under these conditions. If the water temperature gauge pointer approaches the OVERHEAT zone or the AT OIL TEMP warning light illuminates, immediately switch off the air conditioner and stop the vehicle at the nearest safe place. Refer to the "Engine overheating" section in chapter 9, and "Warning and indicator lights" section in chapter 3.
- If your vehicle has an automatic transmission, avoid using the accelerator pedal to stay stationary on an uphill slope instead of using the parking brake or foot brake. That may cause the transmission fluid to overheat. Also, if your vehicle is equipped with an automatic transmission, avoid driving with the gear selector lever in "D" when towing a heavy trailer to prevent fluid

– CONTINUED –

overheating. A lower gear should be used.

**▼ Parking on a grade**

Always block the wheels under both vehicle and trailer when parking. Apply the parking brake firmly. You should not park on a hill or slope. But if parking on a hill or slope cannot be avoided, you should take the following steps:

1. Apply the brakes and hold the pedal down.
2. Have someone place wheel blocks under both the vehicle and trailer wheels.
3. When the wheel blocks are in place, release the regular brakes slowly until the blocks absorb the load.
4. Apply the regular brakes and then apply the parking brake; slowly release the regular brakes.
5. Shift into 1st or reverse gear (manual transmission) or "P" (automatic transmission) and shut off the engine.

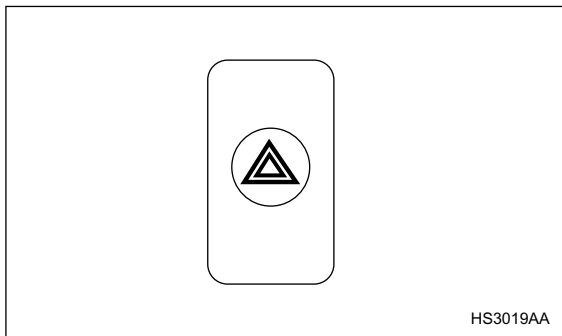
# *In case of emergency*

---

- If you park your vehicle in case of an emergency** ..... 9-2
- Temporary spare tire** ..... 9-3
- Flat tires** ..... 9-5
  - Changing a flat tire ..... 9-5
- Jump starting** ..... 9-13
  - How to jump start ..... 9-14
- Engine overheating** ..... 9-16
  - If steam is coming from the engine compartment ..... 9-16
  - If no steam is coming from the engine compartment ..... 9-16
- Towing** ..... 9-17
  - Towing and tie-down hooks ..... 9-18
  - Using a flat-bed truck ..... 9-20
  - Towing with all wheels on the ground ..... 9-21
- Rear gate – if the rear gate cannot be unlocked** ..... 9-22
- Moonroof – if the moonroof cannot be closed** ..... 9-23
- Maintenance tools** ..... 9-24
  - Jack and jack handle ..... 9-24

## **If you park your vehicle in case of an emergency**

---



The hazard warning flasher should be used in day or night to warn other drivers when you have to park your vehicle under emergency conditions.

Avoid stopping on the road. It is best to safely pull off the road if a problem occurs.

The hazard warning flasher can be activated regardless of the ignition switch position.

Turn on the hazard warning by pushing the hazard warning flasher switch. Turn it off by pushing the switch again.

### **NOTE**

**When the hazard warning flasher is on, the turn signals do not work.**

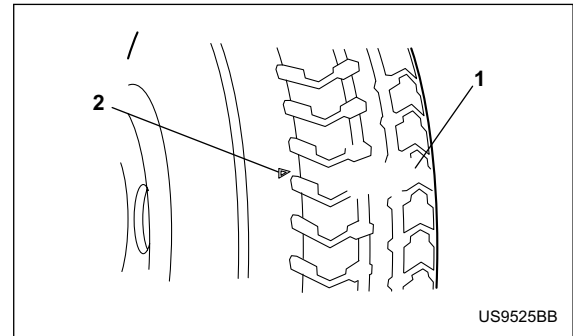
## Temporary spare tire

The temporary spare tire is smaller and lighter than a conventional tire and is designed for emergency use only. Remove the temporary spare tire and re-install the conventional tire as soon as possible because the spare tire is designed only for temporary use.

Check the inflation pressure of the temporary spare tire periodically to keep the tire ready for use. The correct pressure is **60 psi (420 kPa, 4.2 kg/cm<sup>2</sup>)**.

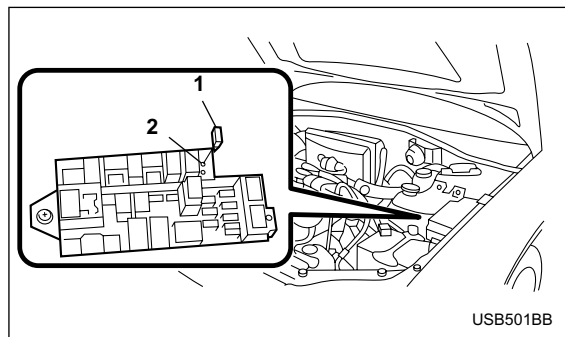
When using the temporary spare tire, note the following:

- Do not exceed 50 mph (80 km/h).
- Do not put a tire chain on the temporary spare tire. Because of the smaller tire size, a tire chain will not fit properly.
- Do not use two or more temporary spare tires at the same time.
- Do not drive over obstacles. This tire has a smaller diameter, so road clearance is reduced.



- 1) Tread wear indicator bar
- 2) Indicator location mark

- When the wear indicator appears on the tread, replace the tire.



- 1) Spare fuse
- 2) FWD connector

## **NOTE**

(If your vehicle is AWD with automatic transmission, except Turbo models) Before driving your vehicle with the temporary spare tire, put a spare fuse inside the FWD connector in the main fuse box located in the engine compartment and confirm that the Front-wheel drive warning light “AWD” in the combination meter comes on. The all wheel drive capability of the vehicle has now deactivated. After re-installing the conventional tire, remove the spare fuse from the FWD connec-

tor in order to reactivate all wheel drive.

## **⚠ WARNING**

Never tow a trailer when the temporary spare tire is used. The temporary spare tire is not designed to sustain the towing load. Use of the temporary spare tire when towing can result in failure of the spare tire and/or less stability of the vehicle and may lead to an accident.

## **⚠ CAUTION**

Never use any temporary spare tire other than the original. Using other sizes may result in severe mechanical damage to the drive train of your vehicle.

## Flat tires

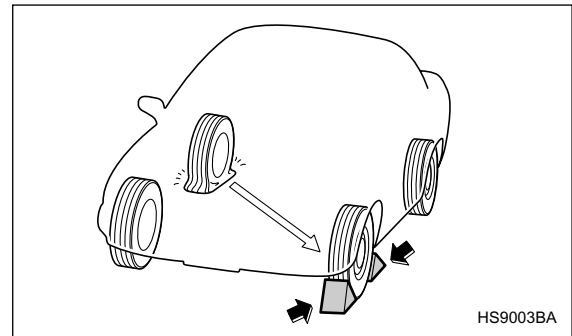
If you have a flat tire while driving, never brake suddenly; keep driving straight ahead while gradually reducing speed. Then slowly pull off the road to a safe place.

### ■ Changing a flat tire

#### WARNING

- Do not jack up the vehicle on an incline or a loose road surface. The jack can come out of the jacking point or sink into the ground and this can result in a severe accident.
- Use only the jack provided with your vehicle. The jack supplied with the vehicle is designed only for changing a tire. Never get under the vehicle while supporting the vehicle with this jack.
- Always turn the engine off before raising the flat tire off the ground using the jack. Never swing or push the vehicle supported with the jack. The jack can come out of the jacking point due to a jolt and this can result in a severe accident.

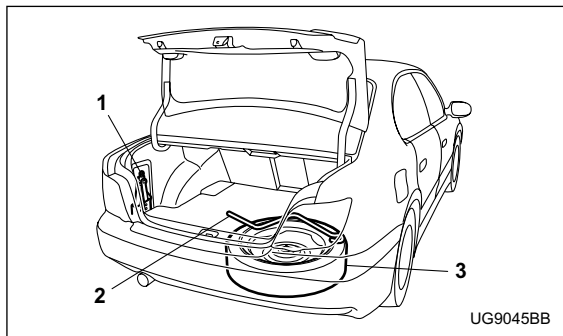
1. Park on a hard, level surface, whenever possible, then stop the engine.
2. Set the parking brake securely and shift a manual transmission vehicle in reverse or an automatic transmission vehicle in the “P” (Park) position.
3. Turn on the hazard warning flasher and have everyone get out of the vehicle.



4. Put wheel blocks at the front and rear of the tire diagonally opposite the flat tire.

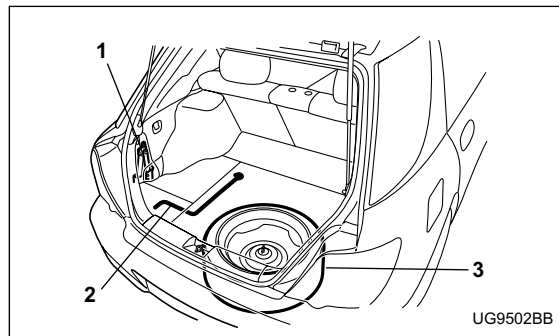
– CONTINUED –





**Sedan**

- 1) Jack
- 2) Jack handle
- 3) Spare tire

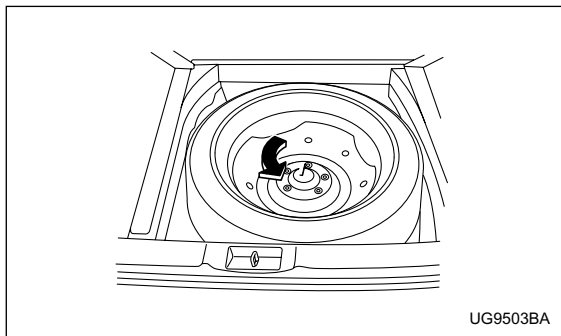


**Wagon**

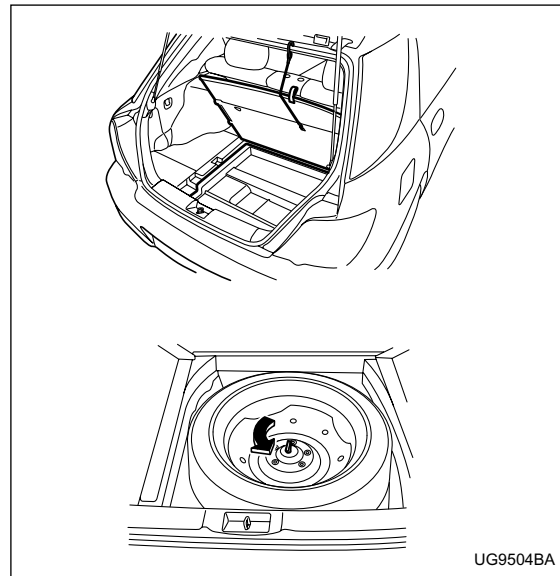
- 1) Jack
- 2) Jack handle
- 3) Spare tire

5. Take out the spare tire, jack, and wheel nut wrench. The spare tire is stored under the floor of the trunk or cargo area.

To remove the spare tire, proceed as follows:



**Sedan:** Remove the floor cover from the trunk. Remove the storage compartment (if so equipped). Turn the attaching bolt counterclockwise, then take the spare tire out.



**Wagon:** Open the lid and hang the hook provided on the under side of the lid on the rear edge of the roof to keep the lid open.

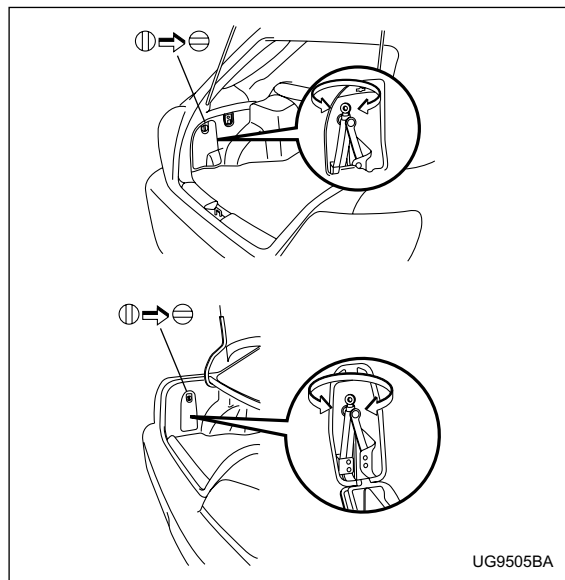
Remove the storage compartment (if so equipped).

– CONTINUED –

## ***In case of emergency***

Turn the attaching bolt counterclockwise, then take spare tire out.

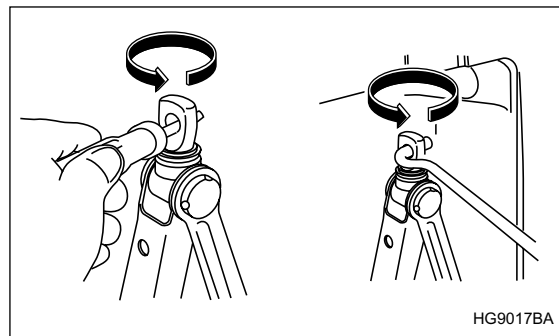
If the spare tire provided in your vehicle is a temporary spare tire, carefully read the section “Temporary spare tire” in this chapter and strictly follow the instructions.



The jack is stored on the left side of the trunk or cargo area.

To take out the jack:

Remove the cover, turn the jackscrew counterclockwise to loosen it, then remove the jack.

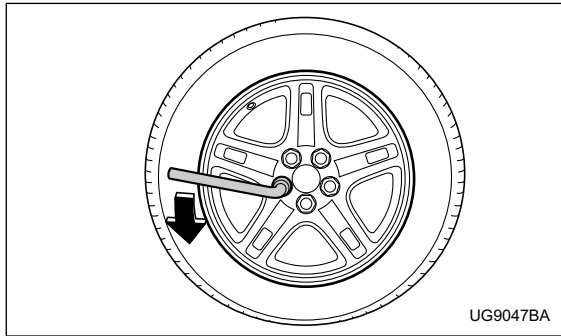


If the jackscrew is too tight to be loosened by hand, loosen it using a screwdriver or the jack handle.

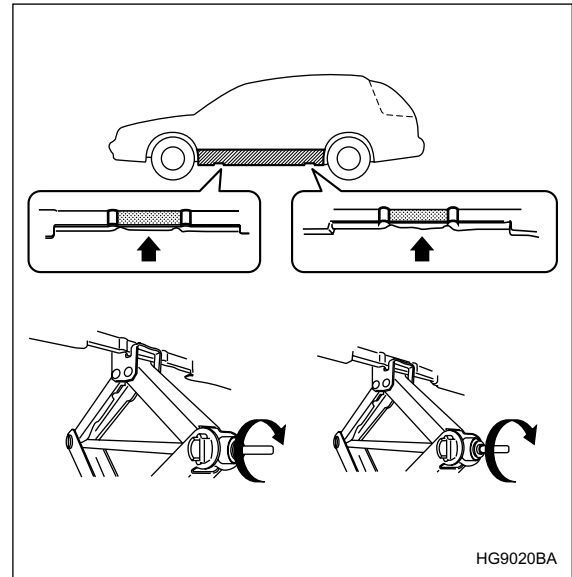
The jack handle is stored under the spare tire cover.

### **NOTE**

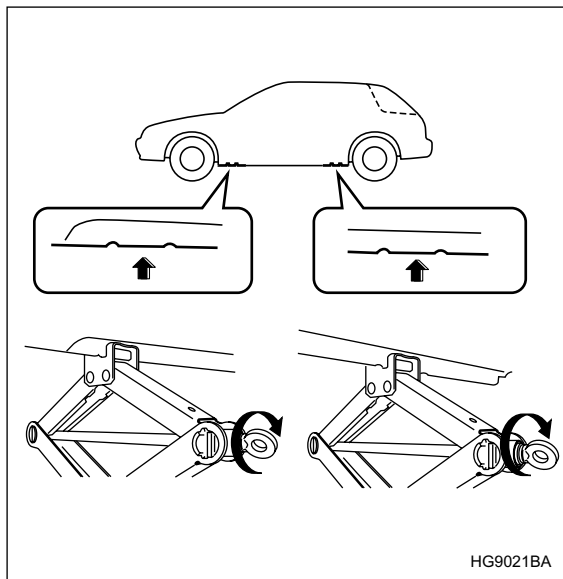
**Make sure the jack is well lubricated before using it.**



6. Loosen the wheel nuts using the wheel nut wrench but do not remove the nuts.



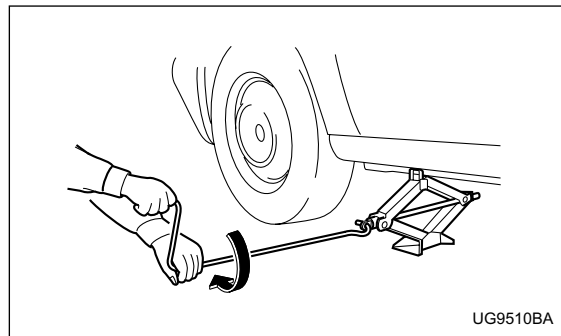
Vehicle with side sill skirt



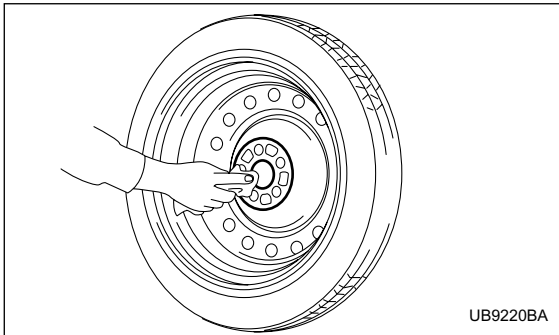
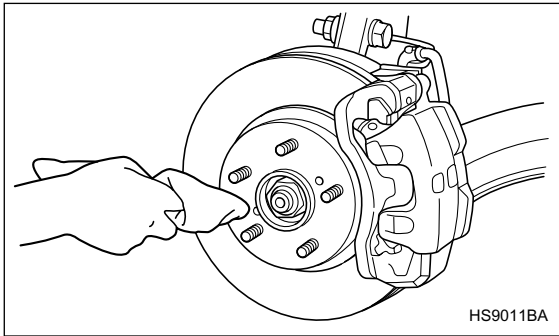
**Others**

7. Place the jack under the side sill at the front or rear jack-up point closest to the flat tire. Turn the jackscrew by hand until the jack head engag-

es firmly into the jack-up point.



8. Insert the jack handle into the jackscrew, and turn the handle until the tire clears the ground. Do not raise the vehicle higher than necessary.  
9. Remove the wheel nuts and the flat tire.



10. Before putting the spare tire on, clean the mounting

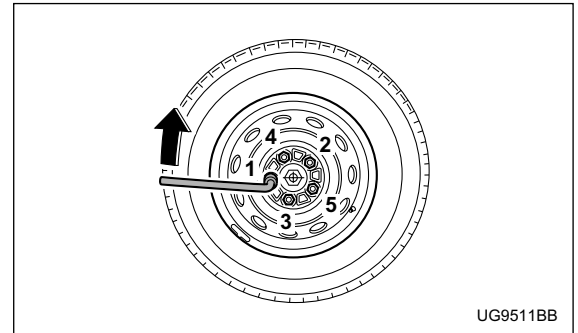
surface of the wheel and hub with a cloth.

11. Put on the spare tire. Replace the wheel nuts. Tighten them by hand.

**⚠ WARNING**

**Do not use oil or grease on the wheel studs or nuts when the spare tire is installed. This could cause the nuts to become loose and lead to an accident.**

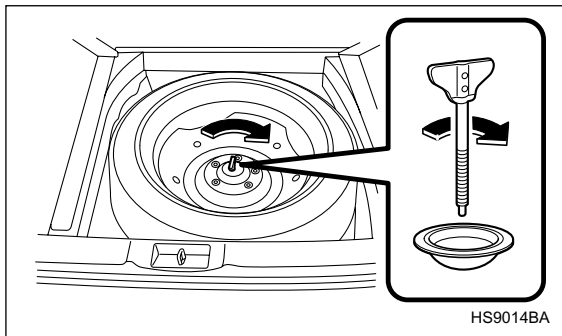
12. Turn the jack handle counterclockwise to lower the vehicle.



– CONTINUED –

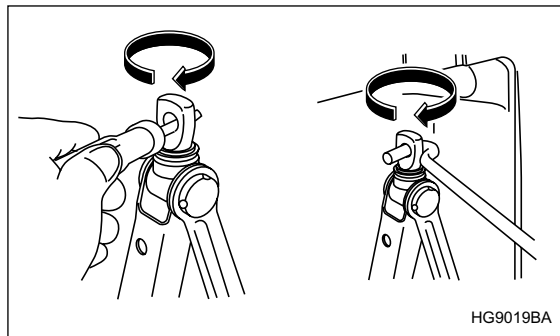
13. Use the wheel nut wrench to securely tighten the wheel nuts to the specified torque, following the tightening order in the illustration.

The torque for tightening the nuts is 58 to 72 lbf-ft (80 to 100 N·m, 8 to 10 kgf·m). This torque is equivalent to applying about 88 to 110 lbs (40 to 50 kg) at the top of the wheel nut wrench. Never use your foot on the wheel nut wrench or a pipe extension on the wrench because you may exceed the specified torque. Have the wheel nut torque checked at the nearest automotive service facility.



14. Store the flat tire in the spare tire compartment. Put the spacer and tighten the attaching bolt firmly. Also store the jack and wheel nut wrench in their stor-

age locations.



After placing the jack in its storage location, turn the jackscrew clockwise by hand until it becomes too hard to turn. Then, tighten it by an additional 1/4 – 1/3 of a turn using a screwdriver or the jack handle. Unless the jack is properly secured, it may rattle while the vehicle is moving.

**⚠ WARNING**

**Never place a tire or tire changing tools in the passenger compartment after changing wheels. In a sudden stop or collisions, loose equipment could strike occupants and cause**

injury. Store the tire and all tools in the proper place.

## Jump starting

### WARNING

- Battery fluid is **SULFURIC ACID**. Do not let it come in contact with the hooks, skin, clothing or the vehicle.

If battery fluid gets on you, thoroughly flush the exposed area with water immediately. Get medical help if the fluid has entered your hooks.

If battery fluid is accidentally swallowed, immediately drink a large amount of milk or water, and obtain immediate medical help.

Keep everyone including children away from the battery.

- The gas generated by a battery explodes if a flame or spark is brought near it. Do not smoke or light a match while jump starting.
- Never attempt jump starting if the discharged battery is frozen. It could cause the battery to burst or explode.
- Whenever working on or around a battery, always wear suitable hook protectors, and remove metal objects such as rings, bands or other metal jewelry.
- Be sure the jumper cables and clamps on them do not have loose or missing insulation.

– CONTINUED –



**Do not jump start unless cables in suitable condition are available.**

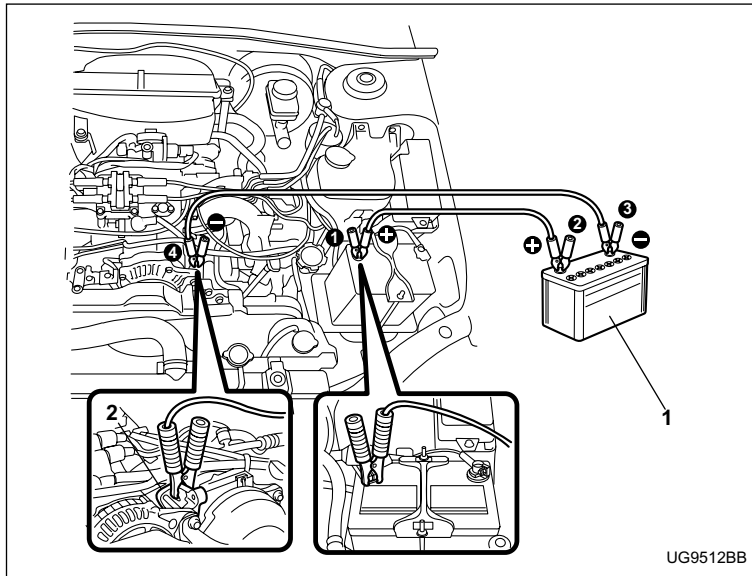
**• A running engine can be dangerous. Keep your fingers, hands, clothing, hair and tools away from the cooling fan, belts and any other moving engine parts. Removing rings, watches and ties is advisable.**

When your vehicle does not start due to a run down (discharged) battery, the vehicle may be jump started by connecting your battery to another battery (called the booster battery) with jumper cables.

Jump starting is dangerous if it done incorrectly. If you are unsure about the proper procedure for jump starting, consult a competent mechanic.

## ■ How to jump start

1. Make sure the booster battery is 12 volts and the negative terminal is grounded.
2. If the booster battery is in another vehicle, do not let the two vehicles touch.
3. Turn off all unnecessary lights and accessories.
4. Connect the jumper cables exactly in the sequence illustrated.



- 1) Booster battery
- 2) Engine lifting bracket

- 1) Connect one jumper cable to the positive (+) terminal on the discharged battery.
- 2) Connect the other end of the jumper cable to the positive (+) terminal of the booster battery.
- 3) Connect one end of the other cable to the negative (-) terminal of the booster battery.
- 4) Connect the other end of the cable to the engine lifting bracket.

Make sure that the cables are not near any moving parts and that the cable clamps are not in contact with any other metal.

5. Start the engine of the vehicle with the booster battery and run it at moderate speed. Then start the engine of the vehicle that has the discharged battery.
6. When finished, carefully disconnect the cables in exactly the reverse order.

---

## Engine overheating

---

** WARNING**

**Never attempt to remove the radiator cap until the engine has been shut off and has fully cooled down. When the engine is hot, the coolant is under pressure. Removing the cap while the engine is still hot could release a spray of boiling hot coolant, which could burn you very seriously.**

---

If the engine overheats, safely pull off the road and stop the vehicle in a safe place.

### **■ If steam is coming from the engine compartment**

Turn the engine off and get everyone away from the vehicle until it cools down.

### **■ If no steam is coming from the engine compartment**

1. Keep the engine running at idling speed.
2. Open the hood to ventilate the engine compartment.

Confirm that the cooling fan is turning. If the fan is not turning, immediately turn the engine off and contact your authorized dealer for repair.

3. After the engine coolant temperature has dropped, turn off the engine.

If the temperature gauge stays at the overheated zone, turn the engine off.

4. After the engine has fully cooled down, check the coolant level in the reserve tank.

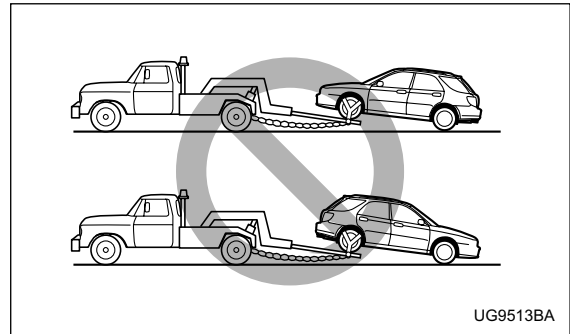
If the coolant level is below the "LOW" mark, add coolant up to the "FULL" mark.

5. If there is no coolant in the reserve tank, add coolant to the reserve tank. Then remove the radiator cap and fill the radiator with coolant.

If you remove the radiator cap from a hot radiator, first wrap a thick cloth around the radiator cap, then turn the cap counterclockwise slowly without pressing down until it stops. Release the pressure from the radiator. After the pressure has been fully released, remove the cap by pressing down and turning it.

## Towing

If towing is necessary, it is best done by your SUBARU dealer or a commercial towing service. Observe the following procedures for safety.



### **⚠ WARNING**

**Never tow AWD vehicles (both AT and MT) with the front wheels raised off the ground while the rear wheels are on the ground, or with the rear wheels raised off the ground while the front wheels are on the ground. This will cause the vehicle to spin away due to the operation or de-**

– CONTINUED –

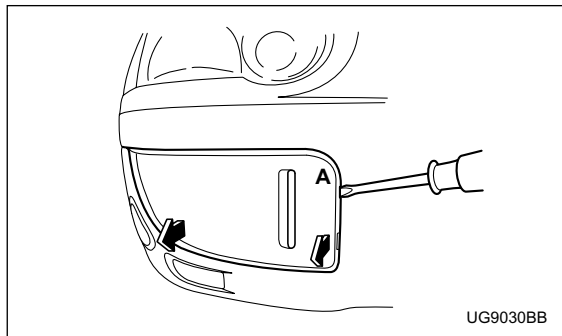
**terioration of the center differential.**

## ■ Towing and tie-down hooks

The towing hooks should be used only in an emergency (e.g., to free a stuck vehicle from mud, sand or snow).

Front towing hook:

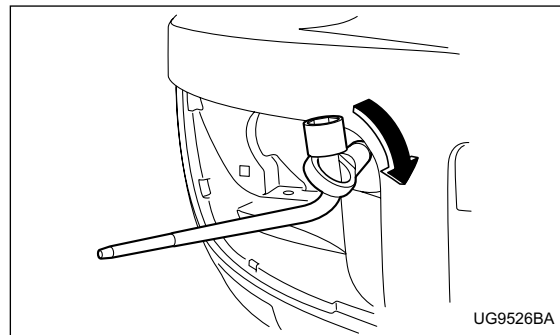
1. Take out the towing hook, screwdriver and wheel nut wrench from the on board tool bag.



2. Insert a flat-head screwdriver into the slot at point A on the front passenger side fog light cover, then use it to pry the cover upward. The tabs at point A on the fog

light cover will come free of the bumper.

3. Pull the entire fog light cover toward you.
4. Screw the towing hook into the threaded hole until its thread becomes invisible.



5. Tighten the towing hook securely using the wheel nut wrench.

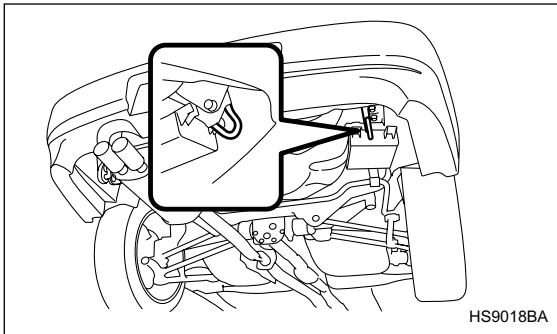
After towing, remove the towing hook from the vehicle and stow it in the tool bag. Fit the fog light cover on the bumper.

**⚠ WARNING**

- Do not use the towing hook except when towing your vehicle.

- Be sure to remove the towing hook after towing. Leaving the towing hook mounted on the vehicle could interfere with proper operation of the SRS airbag system in a frontal collision.

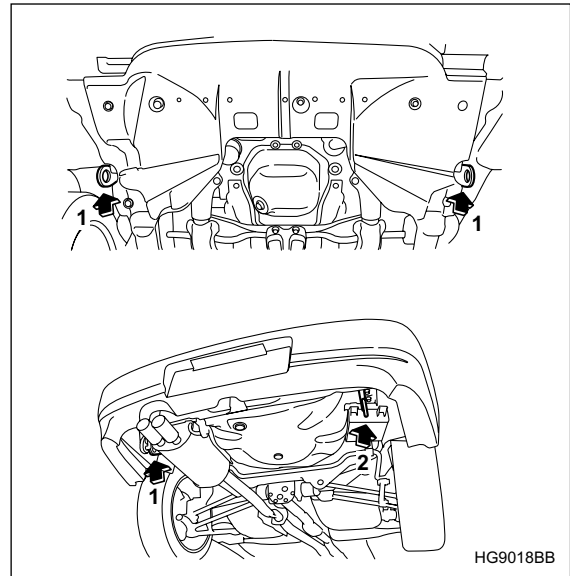
Rear towing hook:



**CAUTION**

To prevent deformation to the front bumper and the towing hook, do not apply excessive lateral load to the towing hook.

Tie-down hooks:



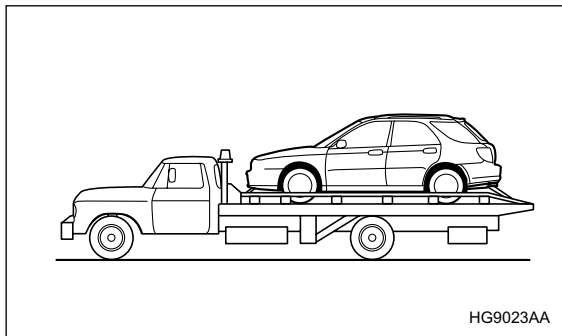
- 1) Tie-down hook
- 2) Towing and tie-down hook

– CONTINUED –

**⚠ CAUTION**

- Use only the specified towing hook and tie-down hook. Never use suspension parts or other body parts for towing or tie-down purposes.
  - Never use the tie-down hook on the underside of the vehicle closest to the muffler for towing purposes.
- 

**■ Using a flat-bed truck**



This is the best way to transport your vehicle. Use the following procedures to ensure safe transportation.

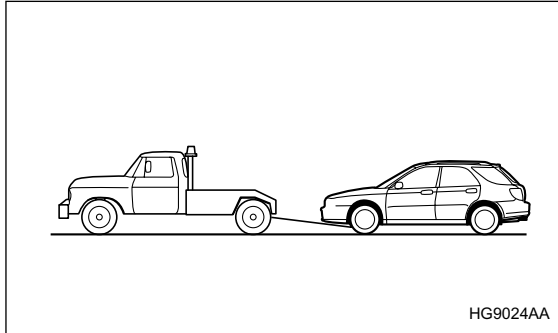
1. Shift the selector lever into the “P” position for automatic transmission vehicles or “1st” for manual transmission vehicles.
2. Pull up the parking brake lever firmly.
3. Secure the vehicle onto the carrier properly with safety chains. Each safety chain should be equally tightened and care must be taken not to pull the chains so tightly that the suspension bottoms out.

**⚠ CAUTION**

**If your vehicle has a front underspoiler and rear underspoiler (both optional), be careful not to scrape them when placing the vehicle on the carrier and when removing the vehicle from the carrier.**

---

## ■ Towing with all wheels on the ground



1. Check the transmission and differential oil levels and add oil to bring it to the upper level if necessary.
2. Release the parking brake and put the transmission in neutral.
3. The ignition switch should be in the “ACC” position while the vehicle is being towed.
4. Take up slack in the towline slowly to prevent damage to the vehicle.

### **▲ WARNING**

- Never turn the ignition switch to the “LOCK” position while the vehicle is being towed be-

cause the steering wheel and the direction of the wheels will be locked.

- Remember that the brake booster and power steering do not function when the engine is not running. Because the engine is turned off, it will take greater effort to operate the brake pedal and steering wheel.

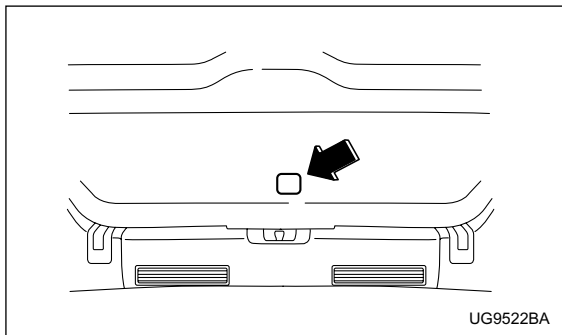
### **▲ CAUTION**

- If transmission failure occurs, transport your vehicle on a flat-bed track.
- Do not run the engine while being towed using this method. Transmission damage could result if the vehicle is towed with the engine running.
- For vehicles with automatic transmission, the traveling speed must be limited to less than 20 mph (30 km/h) and the traveling distance to less than 31 miles (50 km). For greater speeds and distances, transport your vehicle on a flat-bed track.

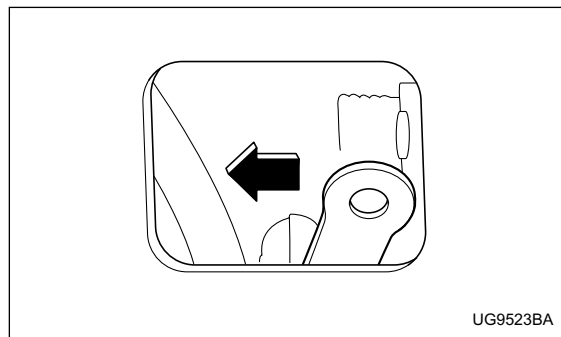


## **Rear gate – if the rear gate cannot be unlocked**

In the event that you cannot unlock the rear gate by operating the power door locking switches or the remote keyless entry system, you can unlock it from inside the cargo area.



1. Remove the access cover at the bottom-center of the rear gate trim.
2. Locate the rear gate lock release lever behind the rear gate trim panel.

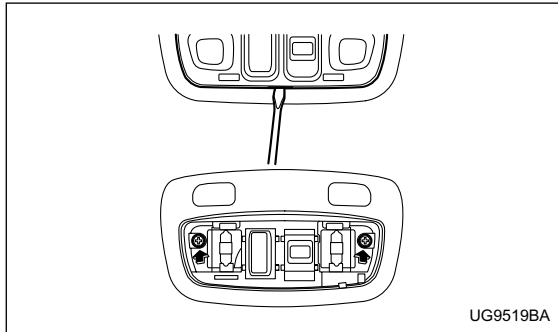


3. Unlock the rear gate by pressing the lever inside the trim to the left.
4. Open the rear gate from outside by raising the rear gate handle.

## Moonroof – if the moonroof cannot be closed

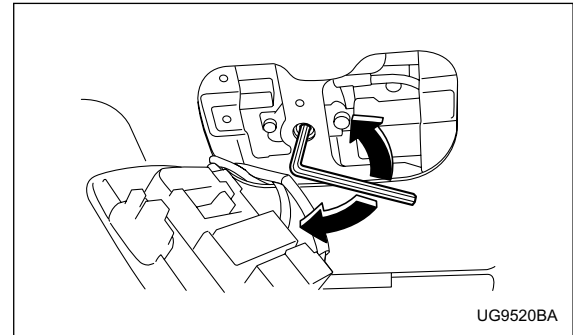
If the moonroof cannot be closed with the moonroof switch, you can close the moonroof manually.

1. Take out the hex-headed wrench from the glove compartment and screwdriver from the tool bag.



2. Remove the map light lens by prying the edge of the lens using a flat-bladed screwdriver.

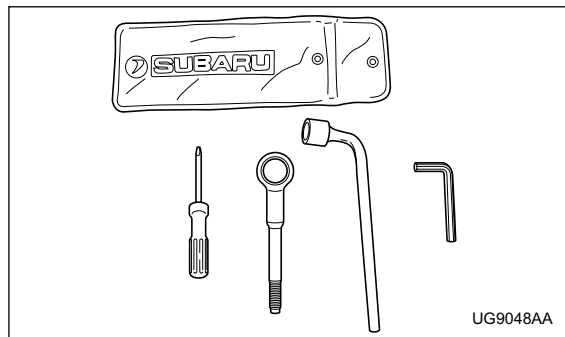
3. Remove the two screws that retain the moonroof switch body. Then, remove the moonroof switch.



4. Insert the wrench in the end of the motor shaft. To lower the moonroof, turn the wrench clockwise. To close the moonroof, turn the wrench counterclockwise.

Have your vehicle checked and repaired by an authorized SUBARU dealer.

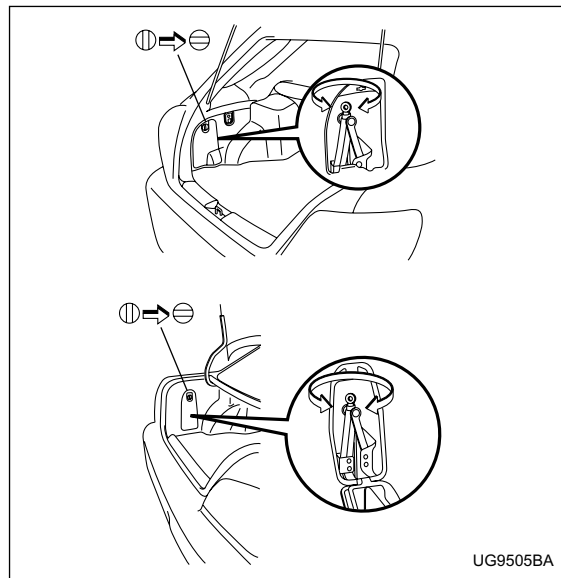
## Maintenance tools



Your vehicle is equipped with the following maintenance tools:

- Screwdriver
- Towing hook (eye bolt)
- Wheel nut wrench
- Hex-headed wrench (vehicles with moonroof)

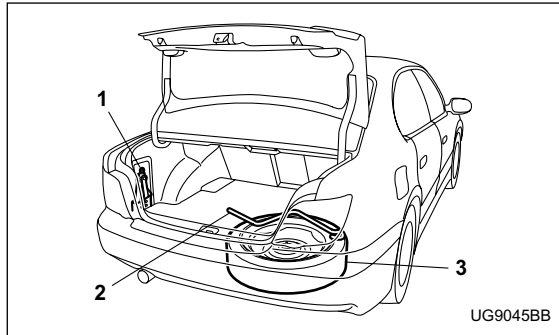
## ■ Jack and jack handle



The jack is stored on the left side of the trunk or cargo area.

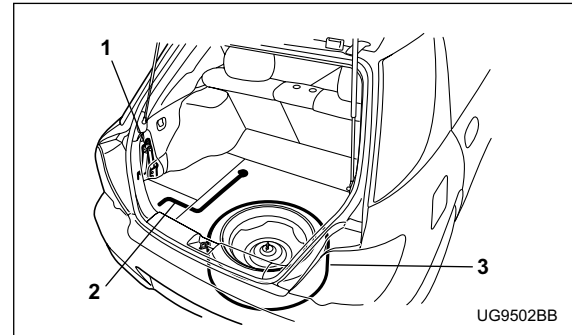
To take out the jack, turn the jackscrew counterclock-

wise to loosen it, then remove the jack.



**Sedan**

- 1) Jack
- 2) Jack handle
- 3) Spare tire



**Wagon**

- 1) Jack
- 2) Jack handle
- 3) Spare tire

The jack handle is stored under the spare tire cover.

For how to use the jack, refer to "Flat tires".

---

---

---

---

---

---

---

---

---

---

---

---

---

# Appearance care

---

<b>Exterior care</b> .....	<b>10-2</b>
Washing .....	10-2
Waxing and polishing .....	10-3
Cleaning aluminum wheels .....	10-3
<b>Corrosion protection</b> .....	<b>10-4</b>
Most common causes of corrosion .....	10-4
To help prevent corrosion .....	10-5
<b>Cleaning the interior</b> .....	<b>10-6</b>
Seat fabric .....	10-6
Leather seat materials .....	10-6
Synthetic leather upholstery .....	10-6
Climate control panel, audio panel, instrument panel, console panel, and switches .....	10-7

## Exterior care

---

### ■ Washing

The best way to preserve your vehicle's beauty is frequent washing. Wash the vehicle at least once a month to avoid contamination by road grime.

Wash dirt off with a wet sponge and plenty of lukewarm or cold water. Do not wash the vehicle with hot water and in direct sunlight.

Salt, chemicals, insects, tar, soot and bird droppings should be washed off by using a light detergent, as required. If you use a light detergent, make certain that it is a neutral detergent. Do not use strong soap or chemical detergents. All cleaning agents should be promptly flushed from the surface and not allowed to dry there. Rinse the vehicle thoroughly with plenty of lukewarm water. Wipe the remaining water off with a chamois or soft cloth.

### NOTE

**When having your vehicle washed in an automatic car wash, make sure beforehand that the car wash is of suitable type. Automatic car wash brushes or other equipment may damage the rear wiper and rear/roof spoiler (if equipped).**

### CAUTION

- **When washing the vehicle, the brakes may get wet. As a result, the brake stopping distance will be longer. To dry the brakes, drive the vehicle at a safe speed while lightly pressing the brake pedal to heat up the brakes.**
- **Do not wash the engine compartment and area adjacent to it. If water enters the engine air intake, electrical parts or the power steering fluid reservoir, it will cause engine trouble or faulty power steering respectively.**

### ▼ Washing the underbody

Chemicals, salts and gravel used for deicing road surfaces are extremely corrosive, accelerating the corrosion of underbody components, such as the exhaust system, fuel and brake lines, brake cables, floor pan and fenders, and suspension.

Thoroughly flush the underbody and inside of the fenders with lukewarm or cold water at frequent intervals to reduce the harmful effects of such agents.

Mud and sand adhering to the underbody components may accelerate their corrosion.

After driving off-road or on muddy or sandy roads, wash the mud and sand off the underbody. Carefully

flush the suspension and axle parts, as they are particularly prone to mud and sand buildup. Do not use a sharp-edged tool to remove caked mud.

## NOTE

**Be careful not to damage brake hoses, sensor harnesses, and other parts when washing suspension components.**

### ▼ Using a warm water washer

- Keep a good distance of 12 in (30 cm) or more between the washer nozzle and the vehicle.
  - Do not wash the same area continuously.
  - If a stain will not come out easily, wash by hand.
- Some warm water washers are of the high temperature, high pressure type, and they can damage or deform the resin parts such as mouldings, or cause water to leak into the vehicle.

## ■ Waxing and polishing

Always wash and dry the vehicle before waxing and polishing.

Use a good quality polish and wax and apply them according to the manufacturer's instructions. Wax or polish when the painted surface is cool.

Be sure to polish and wax the chrome trim, as well as the painted surfaces. Loss of wax on a painted surface

leads to loss of the original luster and also quickens the deterioration of the surface. It is recommended that a coat of wax be applied at least once a month, or whenever the surface no longer repels water.

If the appearance of the paint has diminished to the point where the luster or tone cannot be restored, lightly polish the surface with a fine-grained compound. Never polish just the affected area, but include the surrounding area as well. Always polish in only one direction. A No. 2000 grain compound is recommended. Never use a coarse-grained compound. Coarser grained compounds have a smaller grain-size number and could damage the paint. After polishing with a compound, coat with wax to restore the original luster. Frequent polishing with a compound or an incorrect polishing technique will result in removing the paint layer and exposing the undercoat. When in doubt, it is always best to contact your SUBARU dealer or an auto paint specialist.

## NOTE

**Be careful not to block the windshield washer nozzles with wax when waxing the vehicle.**

## ■ Cleaning aluminum wheels

- Promptly wipe the aluminum wheels clean of any kind of grime or agent. If dirt is left on too long, it may

– CONTINUED –



be difficult to clean off.

- Do not use soap containing grit to clean the wheels. Be sure to use a neutral cleaning agent, and later rinse thoroughly with water. Do not clean the wheels with a stiff brush or expose them to a high-speed washing device.
- Clean the vehicle (including the aluminum wheels) with water as soon as possible when it has been splashed with sea water, exposed to sea breezes, or driven on roads treated with salt or other agents.

## Corrosion protection

---

Your SUBARU has been designed and built to resist corrosion. Special materials and protective finishes have been used on most parts of the vehicle to help maintain fine appearance, strength, and reliable operation.

### ■ Most common causes of corrosion

The most common causes of corrosion are:

1. The accumulation of moisture retaining dirt and debris in body panel sections, cavities, and other areas.
2. Damage to paint and other protective coatings caused by gravel and stone chips or minor accidents.

Corrosion is accelerated on the vehicle when:

1. It is exposed to road salt or dust control chemicals, or used in coastal areas where there is more salt in the air, or in areas where there is considerable industrial pollution.
2. It is driven in areas of high humidity, especially when temperatures range just above freezing.
3. Dampness in certain parts of the vehicle remains for a long time, even though other parts of the vehicle may be dry.
4. High temperatures will cause corrosion to parts of the vehicle which cannot dry quickly due to lack of

proper ventilation.

### ■ To help prevent corrosion

Wash the vehicle regularly to prevent corrosion of the body and suspension components. Also, wash the vehicle promptly after driving on any of the following surfaces:

- roads that have been salted to prevent them from freezing in winter
- mud, sand, or gravel
- coastal roads

After the winter has ended, it is recommended that the underbody be given a very thorough washing.

Before the beginning of winter, check the condition of underbody components, such as the exhaust system, fuel and brake lines, brake cables, suspension, steering system, floor pan, and fenders. If any of them are found to be rusted, they should be given an appropriate rust prevention treatment or should be replaced. Contact your SUBARU dealer to perform this kind of maintenance and treatment if you need assistance.

Repair chips and scratches in the paint as soon as you find them.

Check the interior of the vehicle for water and dirt ac-

cumulation under the floor mats because that could cause corrosion. Occasionally check under the mats to make sure the area is dry.

Keep your garage dry. Do not park your vehicle in a damp, poorly ventilated garage. In such a garage, corrosion can be caused by dampness. If you wash the vehicle in the garage or put the vehicle into the garage when wet or covered with snow, that can cause dampness.

If your vehicle is operated in cold weather and/or in areas where road salts and other corrosive materials are used, the door hinges and locks, trunk lid lock, and hood latch should be inspected and lubricated periodically.

## **Cleaning the interior**

---

Use a vacuum cleaner to get rid of the dust and dirt. Wipe the vinyl areas with a clean, damp cloth.

### **■ Seat fabric**

Remove loose dirt, dust or debris with a vacuum cleaner. If the dirt is caked on the fabric or hard to remove with a vacuum cleaner, use a soft brush then vacuum it.

Wipe the fabric surface with a tightly wrung cloth and dry the seat fabric thoroughly. If the fabric is still dirty, wipe using a solution of mild soap and lukewarm water then dry thoroughly.

If the stain does not come out, try a commercially-available fabric cleaner. Use the cleaner on a hidden place and make sure it does not affect the fabric adversely. Use the cleaner according to its instructions.

### **■ Leather seat materials**

The leather used by SUBARU is a high quality natural product which will retain its distinctive appearance and feel for many years with proper care.

Allowing dust or road dirt to build up on the surface can cause the material to become brittle and to wear pre-

maturely. Regular cleaning with a soft, moist, natural fiber cloth should be performed monthly, taking care not to soak the leather or allow water to penetrate the stitched seams.

A mild detergent suitable for cleaning woolen fabrics may be used to remove difficult dirt spots, rubbing with a soft, dry cloth afterwards to restore the luster. If your SUBARU is to be parked for a long time in bright sunlight, it is recommended that the seats and headrests be covered, or the windows shaded, to prevent fading or shrinkage.

Minor surface blemishes or bald patches may be treated with a commercial leather spray lacquer. You will discover that each leather seat section will develop soft folds or wrinkles, which is characteristic of genuine leather.

### **■ Synthetic leather upholstery**

The synthetic leather material used on the SUBARU may be cleaned using mild soap or detergent and water, after first vacuuming or brushing away loose dirt. Allow the soap to soak in for a few minutes and wipe off with a clean, damp cloth. Commercial foam-type cleaners suitable for synthetic leather materials may be used when necessary.

**NOTE**

Strong cleaning agents such as solvents, paint thinners, window cleaner or gasoline must never be used on leather or synthetic interior materials.

■ **Climate control panel, audio panel, instrument panel, console panel, and switches**

Gently wipe away contamination using a clean, soft cloth moistened with cold or lukewarm water.

**NOTE**

Do not use organic solvents such as paint thinners or gasoline, or strong cleaning agents that contain those solvents.

---

---

---

---

---

---

---

---

---

---

---

---

---

# Maintenance and service

Maintenance schedule .....	11-3	Automatic transmission fluid .....	11-32
Maintenance precautions .....	11-3	Checking the fluid level .....	11-32
Before checking or servicing in the engine compartment .....	11-4	Recommended fluid .....	11-34
When you do checking or servicing in the engine compartment while the engine is running .....	11-5	Front differential gear oil (AT vehicles) .....	11-35
Engine hood .....	11-5	Checking the oil level .....	11-35
Engine compartment overview .....	11-8	Recommended grade and viscosity .....	11-35
2.5-liter non-turbo models .....	11-8	Rear differential gear oil .....	11-36
2.0-liter turbo models .....	11-9	Checking the gear oil level .....	11-36
2.5-liter turbo models .....	11-10	Recommended grade and viscosity .....	11-37
Engine oil .....	11-11	Power steering fluid .....	11-38
Checking the oil level .....	11-11	Checking the fluid level .....	11-38
Changing the oil and oil filter .....	11-12	Recommended fluid .....	11-39
Recommended grade and viscosity .....	11-16	Brake fluid .....	11-40
Recommended grade and viscosity under severe driving conditions .....	11-18	Checking the fluid level .....	11-40
Synthetic oil .....	11-18	Recommended brake fluid .....	11-40
Cooling system .....	11-18	Clutch fluid (MT vehicles) .....	11-41
Cooling fan, hose and connections .....	11-19	Checking the fluid level .....	11-41
Engine coolant .....	11-19	Recommended clutch fluid .....	11-42
Air cleaner element .....	11-24	Brake booster .....	11-42
Replacing the air cleaner element .....	11-24	Brake pedal .....	11-43
Spark plugs .....	11-28	Checking the brake pedal free play .....	11-43
Recommended spark plugs .....	11-28	Checking the brake pedal reserve distance .....	11-43
Drive belts .....	11-29	Clutch pedal (MT vehicles) .....	11-44
Manual transmission oil .....	11-30	Checking the clutch function .....	11-44
Checking the oil level .....	11-30	Checking the clutch pedal free play .....	11-44
Recommended grade and viscosity .....	11-31	Replacement of brake pad and lining .....	11-45
		Breaking-in of new brake pads and linings .....	11-45
		Parking brake stroke .....	11-46
		Tires and wheels .....	11-47

Types of tires .....	11-47
Tire inspection .....	11-47
Tire pressures and wear .....	11-48
Wheel balance .....	11-51
Wear indicators .....	11-51
Tire rotation .....	11-52
Tire replacement .....	11-53
Wheel replacement .....	11-53
Aluminum wheels .....	11-54
Intercooler water spray (WRX-STi) .....	11-55
Windshield washer fluid .....	11-56
Replacement of wiper blades .....	11-57
Windshield wiper blades assembly .....	11-57
Windshield wiper blade rubber .....	11-58
Rear window wiper blade assembly .....	11-59
Rear window wiper blade rubber .....	11-60
Battery .....	11-63
Fuses .....	11-65
Main fuse .....	11-68
Installation of accessories .....	11-68
Replacing bulbs .....	11-69
Headlights (U.S.-spec. WRX-STi) .....	11-70
Headlights (Except U.S.-spec. WRX-STi) .....	11-71
Front turn signal light bulbs .....	11-73
Parking light .....	11-74
Front fog light .....	11-78
Rear combination lights .....	11-78
License plate light .....	11-81
Dome light, map light and cargo area light ....	11-81
Trunk light .....	11-82
High mount stop light .....	11-83

---

## Maintenance schedule

---

The scheduled maintenance items required to be serviced at regular intervals are shown in the “Warranty and Maintenance Booklet”.

For details of your maintenance schedule, read the separate “Warranty and Maintenance Booklet”.

---

## Maintenance precautions

---

When maintenance and service are required, it is recommended that all work be done by an authorized SUBARU dealer.

If you perform maintenance and service by yourself, you should familiarize yourself with the information provided in this section on general maintenance and service for your SUBARU.

Incorrect or incomplete service could cause improper or unsafe vehicle operation. Any problems caused by improper maintenance and service performed by you are not eligible for warranty coverage.

 **WARNING**

- **Testing of an All-Wheel Drive vehicle must NEVER be performed on a single two-wheel dynamometer or similar apparatus. Attempting to do so will result in transmission damage and in uncontrolled vehicle movement and may cause an accident or injuries to persons nearby.**
- **Always select a safe area when performing maintenance on your vehicle.**
- **Always be very careful to avoid injury when working on the vehicle. Remember that some of**

– CONTINUED –



the materials in the vehicle may be hazardous if improperly used or handled, for example, battery acid.

- Your vehicle should only be serviced by persons fully competent to do so. Serious personal injury may result to persons not experienced in servicing vehicles.
- Always use the proper tools and make certain that they are well maintained.
- Never get under the vehicle supported only by a jack. Always use a safety stands to support the vehicle.
- Never keep the engine running in a poorly ventilated area, such as a garage or other closed areas.
- Do not smoke or allow open flames around the fuel or battery. This will cause a fire.
- Because the fuel system is under pressure, replacement of the fuel filter should be performed only by your SUBARU dealer.
- Wear adequate eye protection to guard against getting oil or fluids in your eyes. If something does get in your eyes, thoroughly wash them out with clean water.
- Do not tamper with the wiring of the SRS airbag system or seatbelt pretensioner system, or attempt to take its connectors apart, as that

may activate the system or it can render it inoperative. The wiring and connectors of these systems are yellow for easy identification. NEVER use a circuit tester for these wiring. If your SRS airbag or seatbelt pretensioner needs service, consult your nearest SUBARU dealer.

---

## ■ Before checking or servicing in the engine compartment

### WARNING

- Always stop the engine and set the parking brake firmly to prevent the vehicle from moving.
- Always let the engine cool down. Engine parts become very hot when the engine is running and remain hot for some time after the engine is stopped.
- Do not spill engine oil, engine coolant, brake fluid or any other fluid on hot engine components. This may cause a fire.
- Always remove the key from the ignition switch. When the ignition switch is in the “ON” position, the cooling fan may operate suddenly

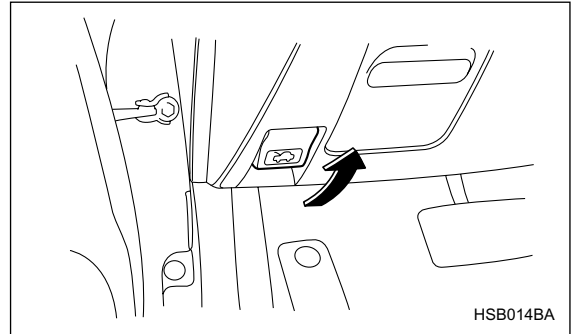
even when the engine is stopped.

- **When you do checking or servicing in the engine compartment while the engine is running**

**⚠ WARNING**

A running engine can be dangerous. Keep your fingers, hands, clothing, hair and tools away from the cooling fan, belts and any other moving engine parts. Removing rings, watches and ties is advisable.

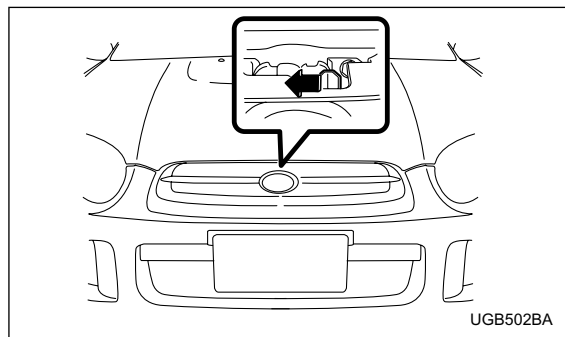
## Engine hood



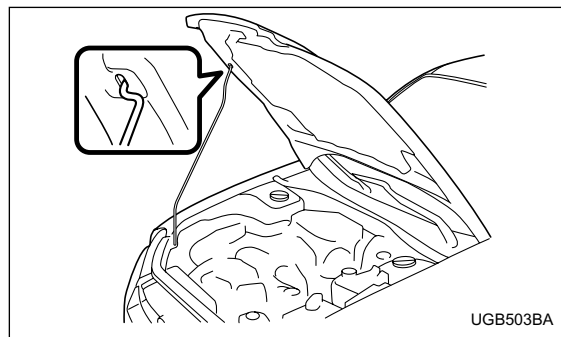
To open the hood:

1. If the wiper blades are lifted off the windshield, return them to their original positions.
2. Pull the hood release knob under the instrument panel.

– CONTINUED –



3. Release the secondary hood release located under the front grille by moving the lever toward the left.



Lift up the hood, release the hood prop from its retainer and put the end of the hood prop into the slot in the hood.

To close the hood:

**All models except WRX and WRX-STi:**

1. Lift the hood slightly and remove the hood prop from the slot in the hood and return the prop to its retainer.
2. Lower the hood until it approaches about **5.9 in (15 cm)** from the closed position and let it drop.

**WRX and WRX-STi:**

1. Lift the hood slightly and remove the hood prop

from the slot in the hood and return the prop to its retainer.

2. Lower the hood until it approaches about **12 in (30 cm)** from the closed position and let it drop.

After closing the hood, be sure the hood is securely locked.

If this does not close the hood, release it from a slightly higher position. Do not push the hood forcibly to close it. It could deform the metal.

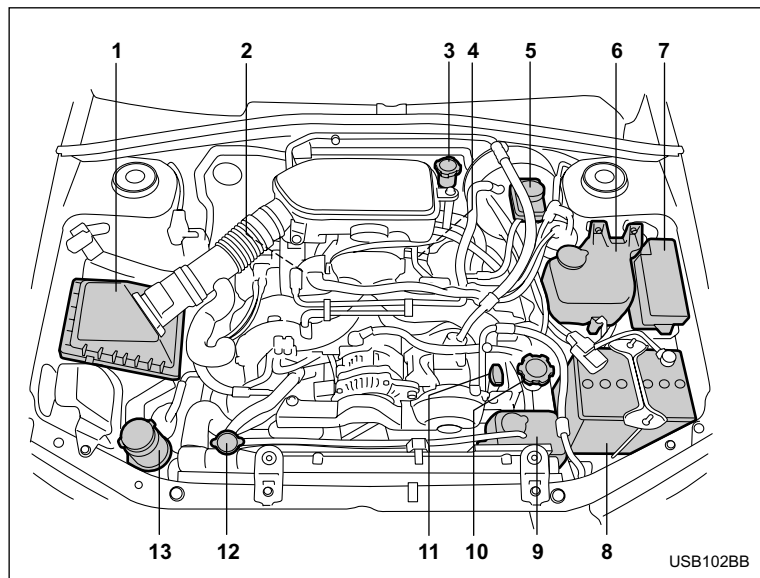
 **WARNING**

**Always check that the hood is properly locked before you start driving. If it is not, it might fly open while the vehicle is moving and block your view, which may cause an accident and serious bodily injury.**

---

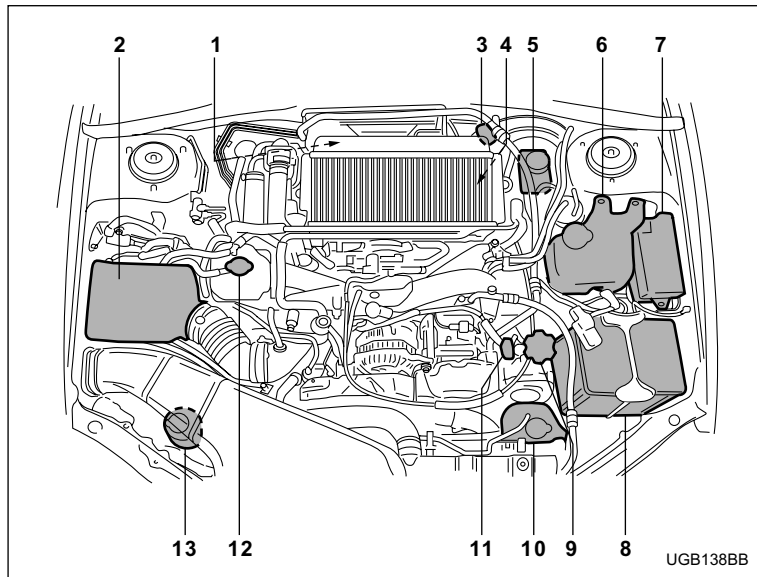
## Engine compartment overview

### ■ 2.5-liter non-turbo models



- 1) Air cleaner element (page 11-24)
- 2) Manual transmission oil level gauge (MT) (page 11-30) or Differential gear oil level gauge (AT) (page 11-35)
- 3) Clutch fluid reservoir (page 11-41)
- 4) Automatic transmission fluid level gauge (page 11-32)
- 5) Brake fluid reservoir (page 11-40)
- 6) Windshield washer tank (page 11-56)
- 7) Fuse box (page 11-65)
- 8) Battery (page 11-63)
- 9) Engine coolant reservoir (page 11-19)
- 10) Engine oil filler cap (page 11-11)
- 11) Engine oil level gauge (page 11-11)
- 12) Radiator cap (page 11-19)
- 13) Power steering fluid reservoir (page 11-38)

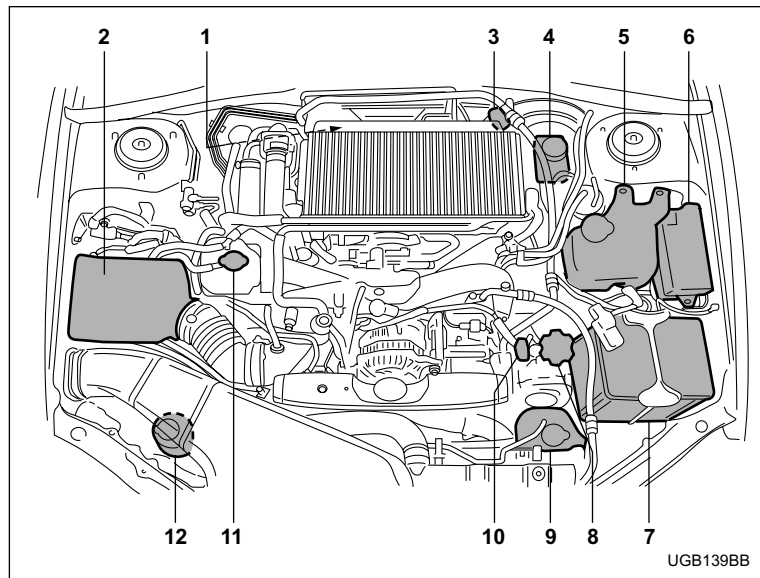
■ 2.0-liter turbo models



- 1) Manual transmission oil level gauge (MT) (page 11-30) or Differential gear oil level gauge (AT) (page 11-35)
- 2) Air cleaner element (page 11-24)
- 3) Clutch fluid reservoir (page 11-41)
- 4) Automatic transmission fluid level gauge (page 11-32)
- 5) Brake fluid reservoir (page 11-40)
- 6) Windshield washer tank (page 11-56)
- 7) Fuse box (page 11-65)
- 8) Battery (page 11-63)
- 9) Engine oil filler cap (page 11-11)
- 10) Engine coolant reservoir (page 11-19)
- 11) Engine oil level gauge (page 11-11)
- 12) Radiator cap (page 11-19)
- 13) Power steering fluid reservoir (page 11-38)

– CONTINUED –

## ■ 2.5-liter turbo models



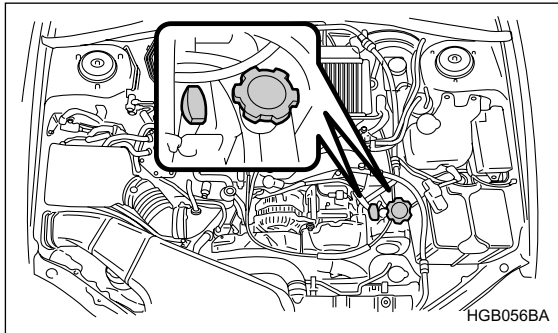
- 1) Manual transmission oil level gauge (MT) (page 11-30)
- 2) Air cleaner element (page 11-24)
- 3) Clutch fluid reservoir (page 11-41)
- 4) Brake fluid reservoir (page 11-40)
- 5) Windshield washer tank (page 11-56)
- 6) Fuse box (page 11-65)
- 7) Battery (page 11-63)
- 8) Engine oil filler cap (page 11-11)
- 9) Engine coolant reservoir (page 11-19)
- 10) Engine oil level gauge (page 11-11)
- 11) Radiator cap (page 11-19)
- 12) Power steering fluid reservoir (page 11-38)


## Engine oil

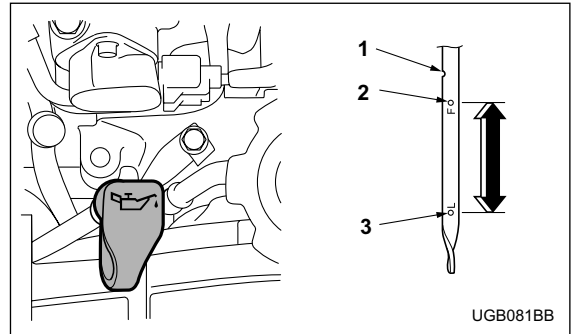
### ■ Checking the oil level

Check the engine oil level at each fuel stop.

1. Park the vehicle on a level surface and stop the engine.



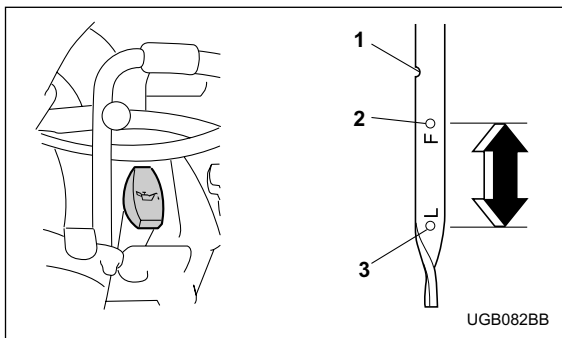
2. Pull out the dipstick, wipe it clean, and insert it again.
3. Be sure the dipstick is correctly inserted until it stops with the graphic symbol  on its top appearing as shown in the illustration.



#### 2.5-liter turbo models

- 1) Notch
- 2) Upper level
- 3) Lower level





**2.5-liter non-turbo and 2.0-liter turbo models**

- 1) Notch
- 2) Upper level
- 3) Lower level

4. Pull out the dipstick again and check the oil level on it. If it is below the lower level, add oil to bring the level up to the upper level.

**CAUTION**

- Use only engine oil with the recommended grade and viscosity.
- Be careful not to spill engine oil when adding it. If oil touches the exhaust pipe, it may cause

**a bad smell, smoke, and/or a fire.**

If you check the oil level just after stopping the engine, wait a few minutes for the oil to drain back into the oil pan before checking the level.

Just after driving or while the engine is warm, the engine oil level reading may be in a range between the upper level and the notch mark. This is caused by thermal expansion of the engine oil.

To prevent overfilling the engine oil, do not add any additional oil above the upper level when the engine is cold.

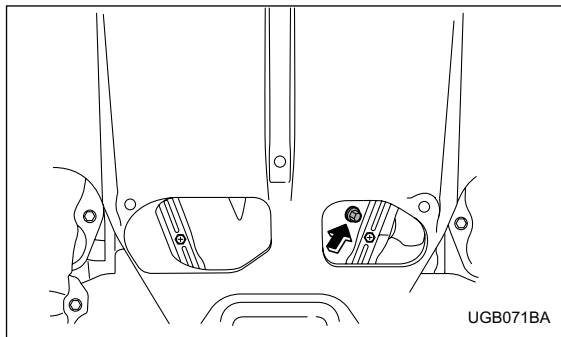
**Changing the oil and oil filter**

Change the oil and oil filter according to the maintenance schedule in the "Warranty and Maintenance Booklet".

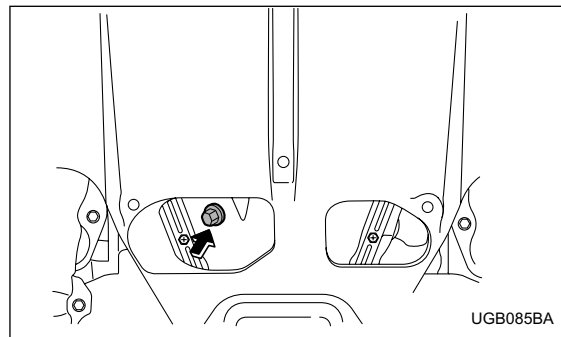
The engine oil and oil filter must be changed more frequently than listed in the maintenance schedule when driving on dusty roads, when short trips are frequently made, or when driving in extremely cold weather.

1. Warm up the engine by letting the engine idle for about 10 minutes to ease draining the engine oil.
2. Park the vehicle on a level surface and stop the engine.

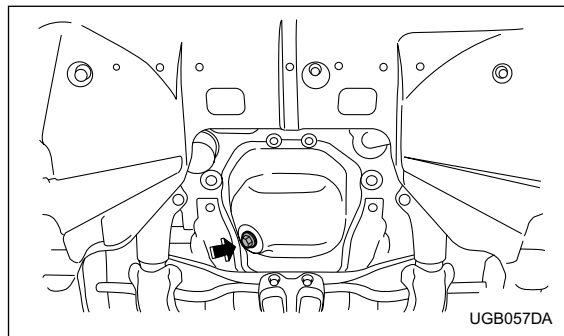
3. Remove the oil filler cap.



2.5-liter turbo models



2.0-liter turbo models



**2.5-liter non-turbo models**

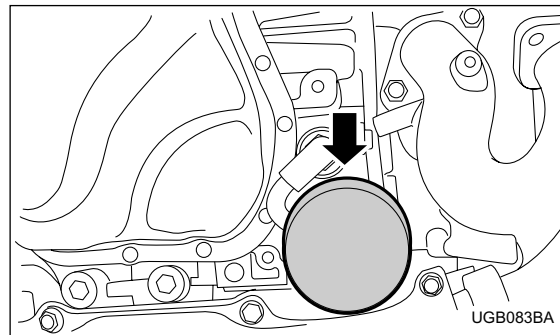
4. Drain out the engine oil by removing the drain plug while the engine is still warm. The used oil should be drained into an appropriate container and disposed of properly.

**⚠ WARNING**

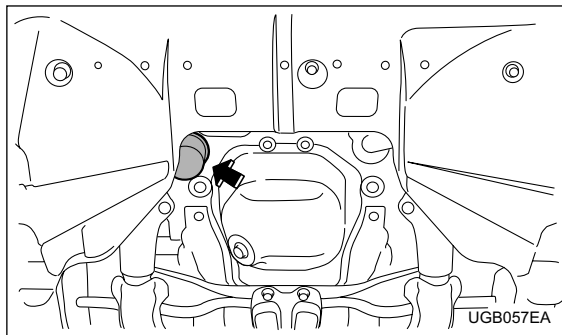
**Be careful not to burn yourself with hot engine oil.**

5. Wipe the seating surface of the drain plug with a clean cloth and tighten it securely with a new sealing

washer after the oil has completely drained out.  
6. Remove under cover (for Turbo).



**Turbo models**



#### Non-turbo models

7. Remove the oil filter with an oil filter wrench.
8. Before installing a new oil filter, apply a thin coat of engine oil to the seal.
9. Clean the rubber seal seating area of the bottom of engine and install the oil filter by hand turning. Be careful not to twist or damage the seal.
10. Tighten the oil filter by the amount indicated in the following table after the seal makes contact with the bottom of engine.

Oil filter color	Part number	Amount of rotation
Black	15208AA080	1 rotation
White	15208AA09A	2/3 – 3/4 rotation

#### **CAUTION**

**Never over tighten the oil filter because that can result in an oil leak.**

11. Reinstall under cover (for Turbo).
12. Pour engine oil through the filler neck.

Oil capacity (guideline):

4.2 US qt (4.0 liters, 3.5 Imp qt)

The oil quantity indicated above is only guideline. The necessary quantity of oil depends on the quantity of oil that has been drained. The quantity of drained oil differs slightly depending on the temperature of the oil and the time the oil is left flowing out. After refilling the engine with oil, therefore, you must the dipstick to confirm that the level is correct.

13. Start the engine and make sure that no oil leaks appear around the filter's rubber seal and drain plug.

– CONTINUED –

14. Run the engine until it reaches the normal operating temperature. Then stop the engine and wait a few minutes to allow the oil drain back. Check the oil level again and if necessary, add more engine oil.

**⚠ CAUTION**

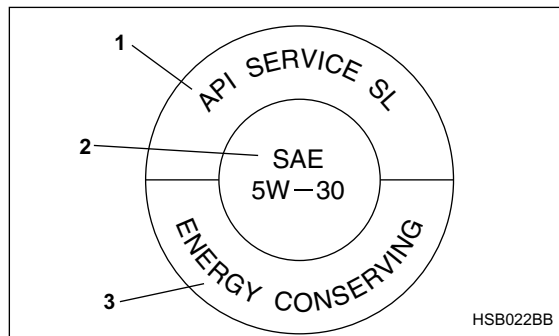
**Be careful not to spill engine oil when adding it. If oil touches the exhaust pipe, it may cause a bad smell, smoke, and/or a fire.**

**■ Recommended grade and viscosity**

**Oil grade:**

**ILSAC GF-3, which can be identified with the new API certification mark (Starburst mark) or API classification SL with the words “ENERGY CONSERVING” (if you cannot obtain the oil with SL grade, you may use SJ grade “ENERGY CONSERVING” oil).**

These recommended oil grades can be identified by looking for either or both of the following marks displayed on the oil container.



**API Service label**

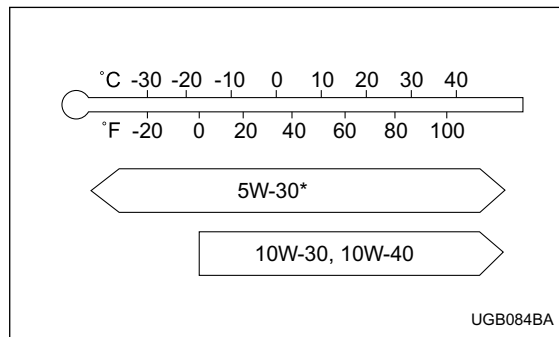
- 1) Indicates the oil quality by API designations
- 2) Indicates the SAE oil viscosity grade
- 3) Indicates that the oil has fuel saving capabilities



#### New API Certification Mark (Starburst Mark)

In choosing an oil, you want the proper quality and viscosity, as well as one that will add to fuel economy. The following table lists the recommended viscosities and applicable temperatures.

When adding oil, different brands may be used together as long as they are the same API classification and SAE viscosity as those recommended by SUBARU.



#### SAE viscosity No. and applicable temperature

\*: 5W-30 is preferred.

Engine oil viscosity (thickness) affects fuel economy. Oils of lower viscosity provide better fuel economy. However, in hot weather, oil of higher viscosity is required to properly lubricate the engine.

#### **CAUTION**

**Use only engine oil with the recommended grade and viscosity.**

– CONTINUED –

## ■ Recommended grade and viscosity under severe driving conditions

If the vehicle is used in desert areas, in areas with very high temperatures, or used for heavy-duty applications such as towing a trailer, use of oil with the following grade and viscosities is recommended.

---

API classification SL (or SJ):

SAE viscosity No.: 30, 40, 10W-50, 20W-40, 20W-50

---

## ■ Synthetic oil

You can use synthetic engine oil that meets the same requirements given for conventional engine oil. When using synthetic oil, you must use oil of the same classification, viscosity and grade shown in this owner's manual, and must follow the oil and filter changing intervals shown in the maintenance schedule.

## Cooling system

---

### WARNING

Never attempt to remove the radiator cap until the engine has been shut off and has cooled down completely. Since the coolant is under pressure, you may suffer serious burns from a spray of boiling hot coolant when the cap is removed.

### CAUTION

- The cooling system has been filled at the factory with a high quality, corrosion-inhibiting, year-around coolant which provides protection against freezing down to  $-33^{\circ}\text{F}$  ( $-36^{\circ}\text{C}$ ). For adding, use genuine SUBARU coolant or an equivalent: a mixture of 50% soft water and 50% ethylene-glycol basis coolant. Use of improper coolants may result in corrosion in the cooling system. It is important to maintain protection against freezing and corrosion, even if freezing temperatures are not expected. Never mix different kinds of coolant.
- Do not splash the engine coolant over paint-

ed parts. The alcohol contained in the engine coolant may damage the paint surface.

## ■ Cooling fan, hose and connections

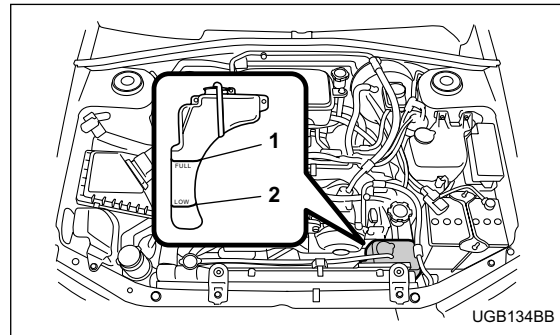
Your vehicle employs an electric cooling fan which is thermostatically controlled to operate when the engine coolant reaches a specific temperature.

If the radiator cooling fan does not operate even when the engine coolant temperature gauge exceeds the normal operating range, the cooling fan circuit may be defective. Check the fuse and replace it if necessary. If the fuse is not blown, have the cooling system checked by your SUBARU dealer.

If frequent addition of coolant is necessary, there may be a leak in the engine cooling system. It is recommended that the cooling system and connections be checked for leaks, damage, or looseness.

## ■ Engine coolant

### ▼ Checking the coolant level



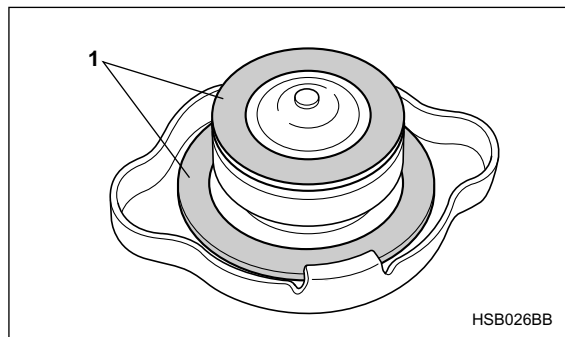
- 1) "FULL" level mark
- 2) "LOW" level mark

Check the coolant level at each fuel stop.

1. Check the coolant level on the outside of the reservoir while the engine is cool.
2. If the level is close to or lower than the "LOW" level mark, add coolant up to the "FULL" level mark. If the reserve tank is empty, remove the radiator cap and refill as required.

– CONTINUED –





1) Rubber gaskets

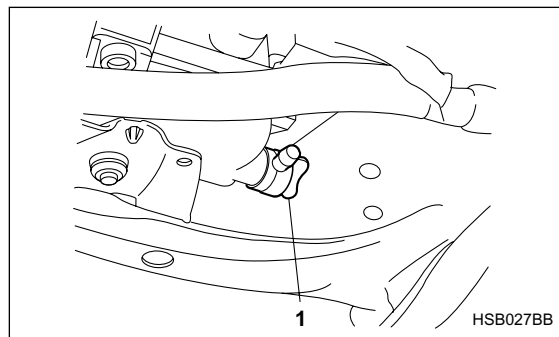
3. After refilling the reserve tank and the radiator, re-install the caps and check that the rubber gaskets inside the radiator cap are in the proper position.

**CAUTION**

- Be careful not to spill engine coolant when adding it. If coolant touches the exhaust pipe, it may cause a bad smell, smoke, and/or a fire.
- Do not splash the engine coolant over painted parts. The alcohol contained in the engine

coolant may damage the paint surface.

▼ Changing the coolant



1) Drain plug

Always add genuine Subaru cooling system conditioner whenever the coolant is replaced.

Change the engine coolant and add genuine Subaru cooling system conditioner using the following procedures according to the maintenance schedule.

1. Remove the under cover.
2. Place a proper container under the drain plug and loosen the drain plug.

3. Loosen the radiator cap to drain the coolant from the radiator. Then drain the coolant from the reserve tank. Tighten the drain plug securely.

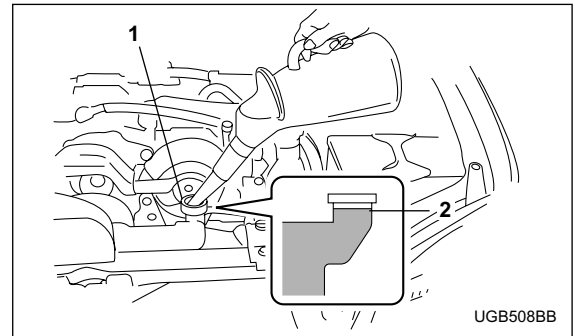
### NOTE (Turbo model only)

The cap (without tabs) on top of the radiator does not need to be removed. To add coolant, remove the cap (with tabs) on the coolant tank on top of the engine.

### WARNING

Never attempt to remove the radiator cap until the engine has been shut off and has cooled down completely. Since the coolant is under pressure, you may suffer serious burns from a spray of boiling hot coolant when the cap is removed.

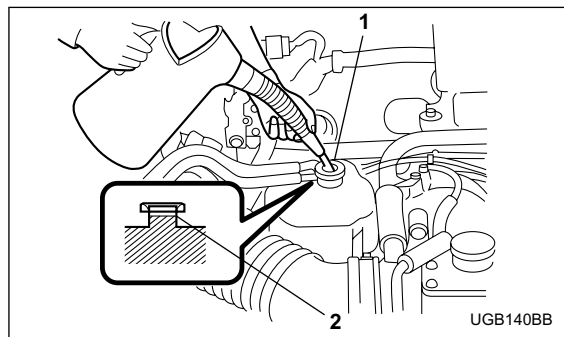
4. Install the under cover.



### Non-turbo models

- 1) Filler neck
- 2) Fill up to this level

– CONTINUED –



**Turbo models**

- 1) Filler neck
- 2) Fill up to this level

5. Slowly pour the coolant and fill up to just below the filler neck, allowing enough room to add genuine Subaru cooling system conditioner in the radiator. Add genuine Subaru cooling system conditioner until the coolant level reaches the filler neck. Do not pour the coolant too quickly, as this may lead to insufficient air bleeding and trapped air in the system.

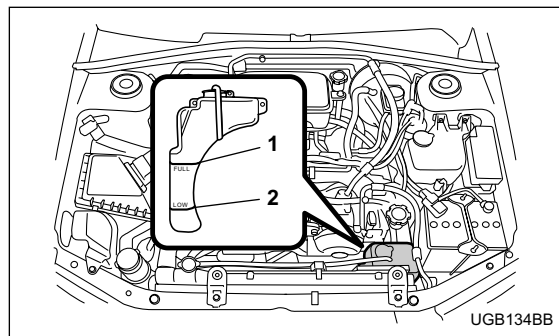
Guideline of coolant quantity (including coolant in reservoir tank):

Non-turbo models:

- MT. 7.4 US qt (7.0 liters, 6.2 Imp qt)
- AT. 7.3 US qt (6.9 liters, 6.1 Imp qt)

Turbo models:

- MT. 8.1 US qt (7.7 liters, 6.8 Imp qt)
- AT. 8.0 US qt (7.6 liters, 6.7 Imp qt)

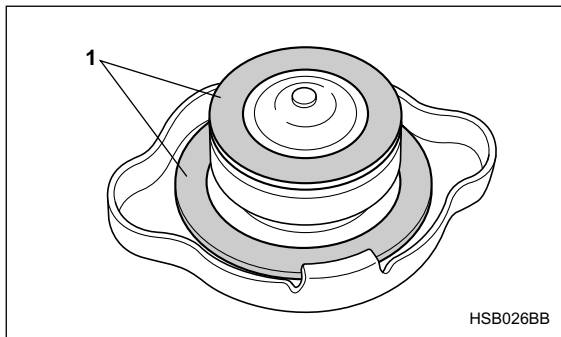


- 1) "FULL" level mark
- 2) "LOW" level mark

**⚠ CAUTION**

- **Be careful not to spill engine coolant when adding it. If coolant touches the exhaust pipe, it may cause a bad smell, smoke, and/or a fire.**
- **Do not splash the engine coolant over painted parts. The alcohol contained in the engine coolant may damage the paint surface.**

6. Pour the coolant and fill to the reservoir tank's "FULL" level mark.



1) Rubber gaskets

7. Put the radiator cap back on and tighten firmly. At this time, make sure that the rubber gasket in the radiator cap is correctly in place.
8. Start and run the engine for more than five minutes at 2,000 to 3,000 rpm.
9. Stop the engine and wait until the coolant cools down (122 to 140°F [50 to 60°C]). If there is any loss of coolant, add coolant to the radiator's filler neck and to the reserve tank's "FULL" level.
10. Put the radiator cap and reservoir cap back on and tighten firmly.

## Air cleaner element

The air cleaner element functions as a filter screen. When the element is perforated or removed, engine wear will be excessive and engine life shortened.

The air cleaner element is a viscous type. It is unnecessary to clean or wash the element.

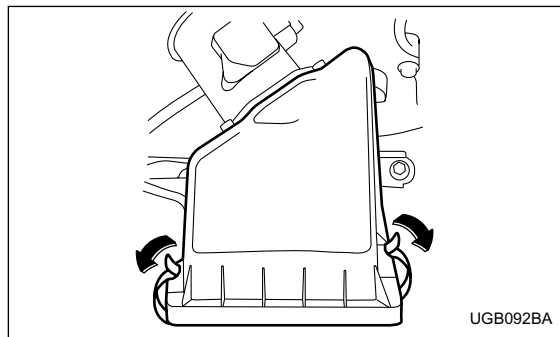
### WARNING

**Do not operate the engine with the air cleaner element removed. The air cleaner element not only filters intake air but also stops flames if the engine backfires. If the air cleaner element is not installed when the engine backfires, you could be burned.**

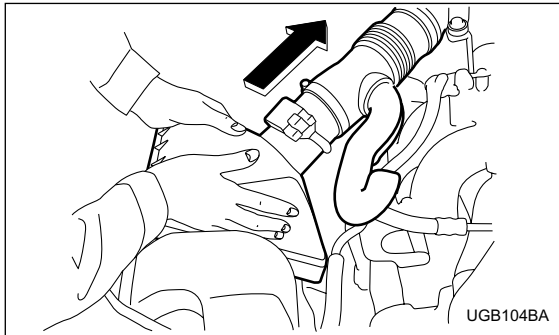
## ■ Replacing the air cleaner element

Replace the air cleaner element according to the maintenance schedule in the "Warranty and Maintenance Booklet". Under extremely dusty conditions, replace it more frequently. It is recommended that you always use genuine SUBARU parts.

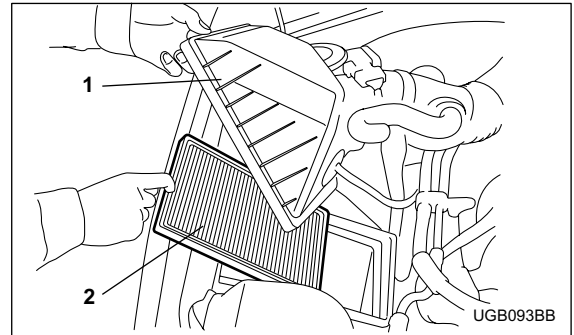
### ▼ Non-turbo models



1. Unsnap the two clamps holding the air cleaner case cover.



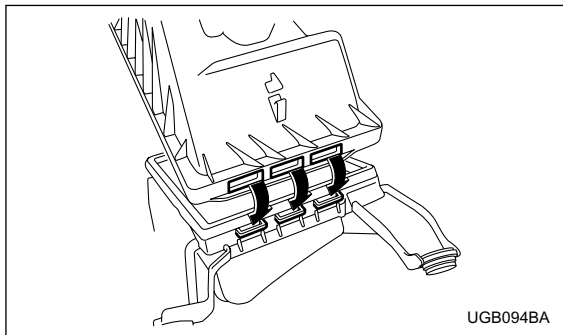
2. Push the air cleaner case cover in the direction of the arrow shown in the drawing.



- 1) Air cleaner case cover
- 2) Air cleaner element

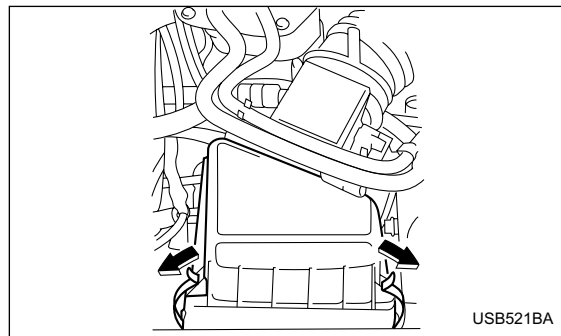
3. Open the air cleaner case cover and remove the air cleaner element.  
4. Clean the inside of the air cleaner cover and case with a damp cloth and install a new air cleaner element.

– CONTINUED –

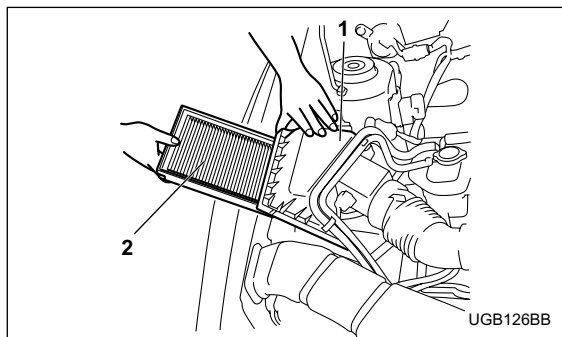


5. To install the air cleaner case cover, insert the three projections on the air cleaner case into the slits on the air cleaner case cover and then snap the two clamps on the air cleaner case cover.

▼ **Turbo models**



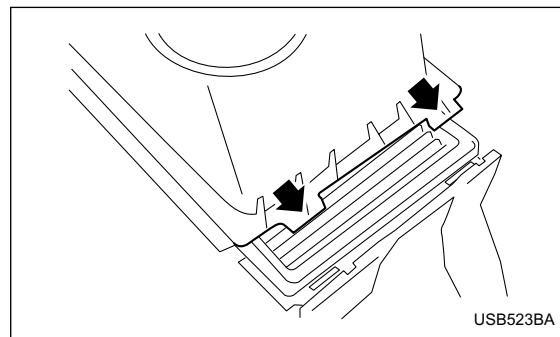
1. Unsnap the two clamps holding the air cleaner case cover.



- 1) Air cleaner case cover
- 2) Air cleaner element

2. Open the air cleaner case cover and remove the air cleaner element.

3. Clean the inside of the air cleaner cover and case with a damp cloth and install a new air cleaner element.

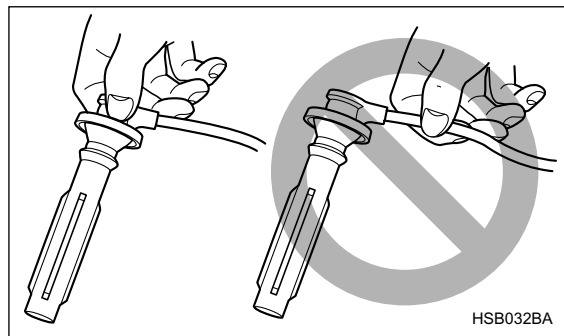


4. To install the air cleaner case cover, insert the two projections on the air cleaner case cover into the slits on the air cleaner case and then snap the two clamps on the air cleaner case cover.



## Spark plugs

---



It may be difficult to replace the spark plugs. It is recommended that you have the spark plugs replaced by your SUBARU dealer.

The spark plugs should be replaced according to the maintenance schedule in the "Warranty and Maintenance Booklet".

**⚠ CAUTION**

- When disconnecting the spark plug cables, always grasp the spark plug cap, not the ca-

bles.

- Make sure the cables are replaced in the correct order.
- 

## ■ Recommended spark plugs

---

2.5-liter non-turbo models:

FR5AP-11

2.0-liter turbo models:

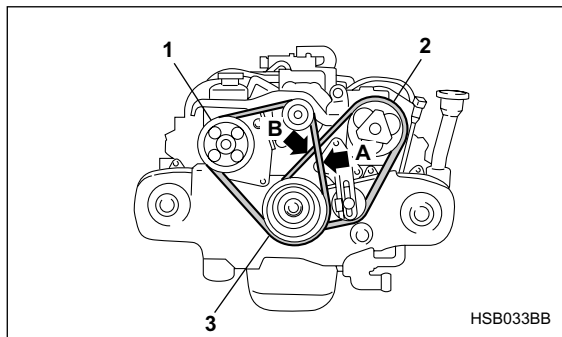
PFR6G (NGK)

2.5-liter turbo models:

IFLR6B (NGK)

---

## Drive belts



- 1) Power steering pump pulley
- 2) Air conditioner compressor pulley
- 3) Crank pulley

The alternator, power steering pump, and air conditioner compressor depend on drive belts. Satisfactory performance requires that belt tension be correct.

To check belt tension, place a straightedge (ruler) across two adjacent pulleys and apply a force of 22 lbs (98 N, 10 kg) midway between the pulleys by using a spring scale. Belt deflection should be the amount specified. If a belt is loose, cracked, or worn, contact

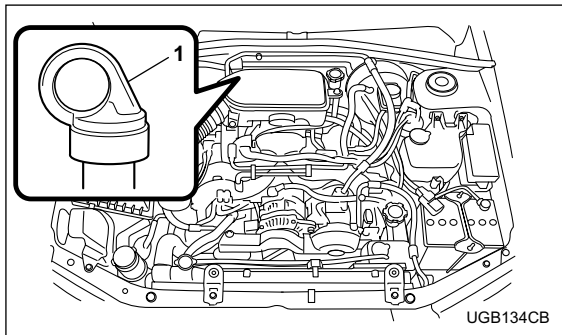
your SUBARU dealer.

in (mm)

	Deflection	
	New belt	Used belt
A	0.28 – 0.35 (7.0 – 9.0)	0.35 – 0.43 (9.0 – 11.0)
B	0.30 – 0.33 (7.5 – 8.5)	0.35 – 0.40 (9.0 – 10.0)

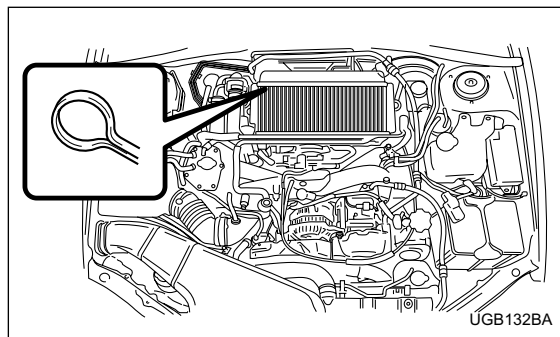
## Manual transmission oil

### ■ Checking the oil level

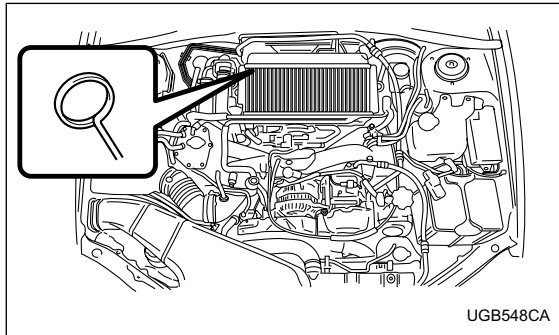


**5 speed transmission (Non-turbo model)**

1) Yellow handle

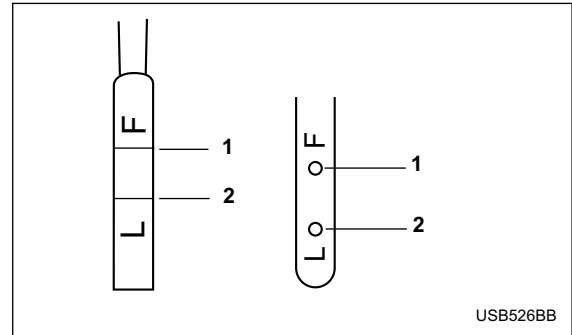


**5 speed transmission (Turbo model)**



### 6 speed transmission

1. Park the vehicle on a level surface and stop the engine.
2. Pull out the dipstick, wipe it clean, and insert it again.



- 1) Upper level
- 2) Lower level

3. Pull out the dipstick again and check the oil level on it. If it is below the lower level, add oil through the dipstick hole to bring the level up to the upper level.

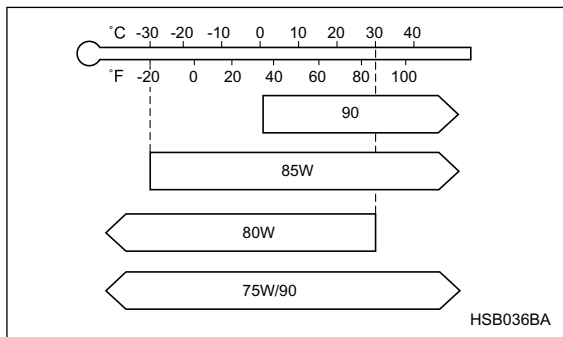
### ■ Recommended grade and viscosity

Each oil manufacturer has its own base oils and additives. Never use different brands together.

Oil grade:

API classification GL-5

– CONTINUED –



SAE viscosity No. and applicable temperature

## Automatic transmission fluid

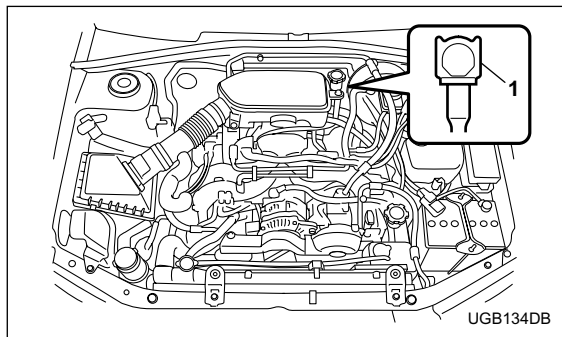
### ■ Checking the fluid level

The automatic transmission fluid expands largely as its temperature rises; the fluid level differs according to fluid temperature. Therefore, there are two different scales for checking the level of hot fluid and cold fluid on the dipstick.

Though the fluid level can be checked without warming up the fluid on the “COLD” range, we recommend checking the fluid level when the fluid is at operating temperature.

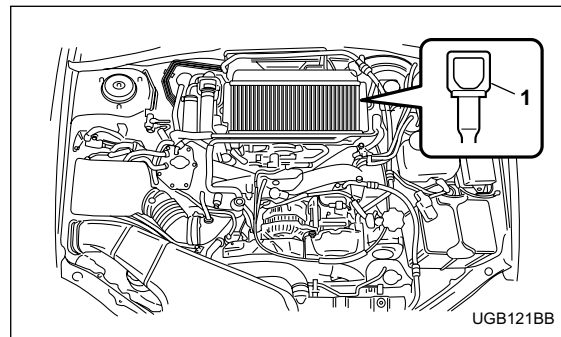
### ▼ Checking the fluid level when the fluid is hot

1. Drive the vehicle several miles to raise the temperature of the transmission fluid up to normal operating temperature; 158 to 176°F (70 to 80°C) is normal.
2. Park the vehicle on a level surface and set the parking brake.
3. First shift the selector lever in each position. Then shift it in the “P” position, and run the engine at idling speed.



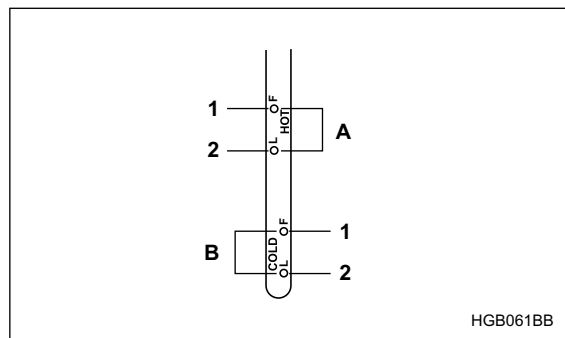
**Non-turbo model**

1) Yellow handle



**Turbo model**

1) Yellow handle



- A) HOT range
- B) COLD range
- 1) Upper level
- 2) Lower level

4. Pull out the dipstick and check the fluid level on the gauge. If it is below the lower level on the “HOT” range, add the recommended automatic transmission fluid up to the upper level.

▼ **Checking the fluid level when the fluid is cold**

When the fluid level has to be checked without time to warm up the automatic transmission, check to see that the fluid level is between the lower level and upper level on the “COLD” range. If it is below that range, add

fluid up to the upper level. Be careful not to overfill.

■ **Recommended fluid**

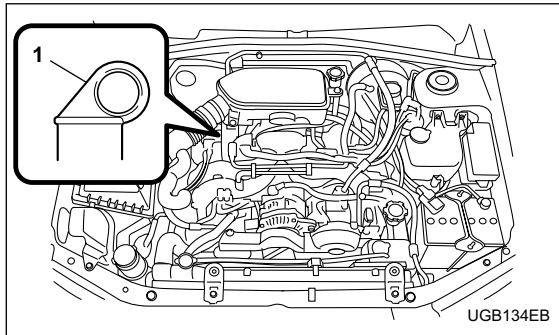
---

“Dexron III” Type Automatic Transmission Fluid

---

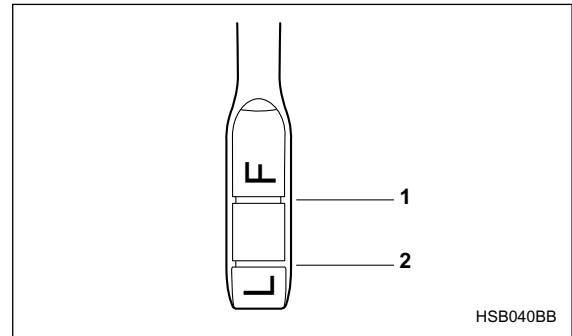
## Front differential gear oil (AT vehicles)

### ■ Checking the oil level



1) Yellow handle

1. Park the vehicle on a level surface and stop the engine.
2. Pull out the dipstick, wipe it clean, and insert it again.



- 1) Upper level
- 2) Lower level

3. Pull out the dipstick again and check the oil level on it. If it is below the lower level, add oil to bring the level up to the upper level.

### ■ Recommended grade and viscosity

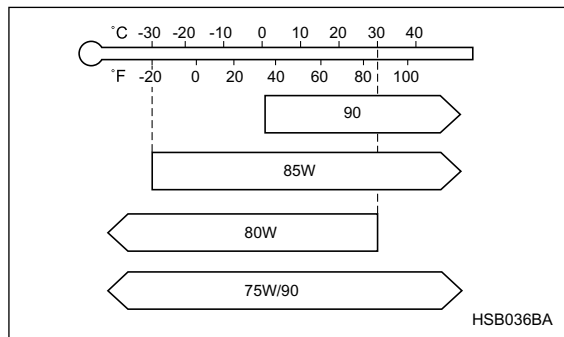
Each oil manufacturer has its own base oils and additives. Never use different brands together.

Oil grade:

API classification GL-5

– CONTINUED –



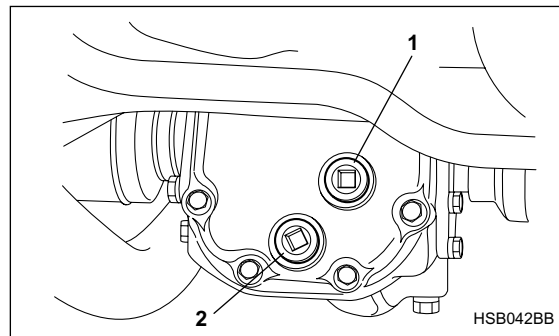


SAE viscosity No. and applicable temperature

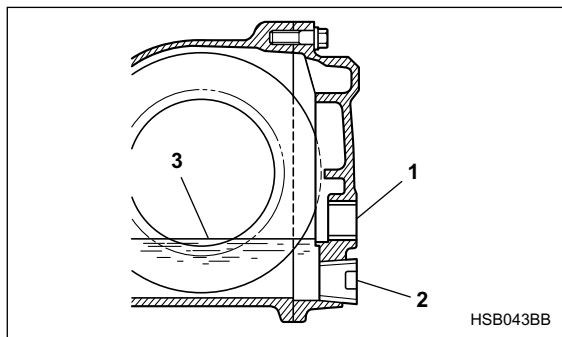
## Rear differential gear oil

### ■ Checking the gear oil level

Your vehicle may be equipped with a rear differential protector. The differential protector provides protection to the rear differential assembly during off-road use. Removal of the rear differential protector is not required when checking the oil level.



- 1) Filler plug
- 2) Drain plug



- 1) Filler hole
- 2) Drain hole
- 3) Oil level

Remove the plug from the filler hole and check the oil level. The oil level should be kept even with the bottom of the filler hole. If the oil level is below the bottom edge of the hole, add oil through the filler hole to raise the level.

**CAUTION**

If the vehicle requires frequent refilling, there may be an oil leak. If you suspect a problem, have the vehicle checked at your SUBARU deal-

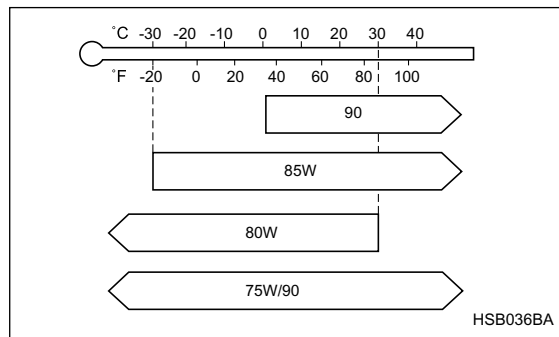
er.

**Recommended grade and viscosity**

Each oil manufacturer has its own base oils and additives. Never use different brands together.

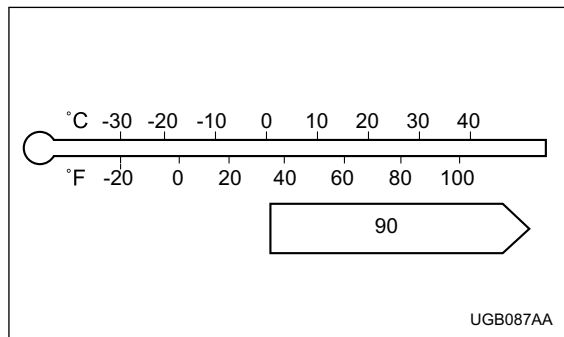
Oil grade:

API classification GL-5



SAE viscosity No. and applicable temperature  
Except Sti version

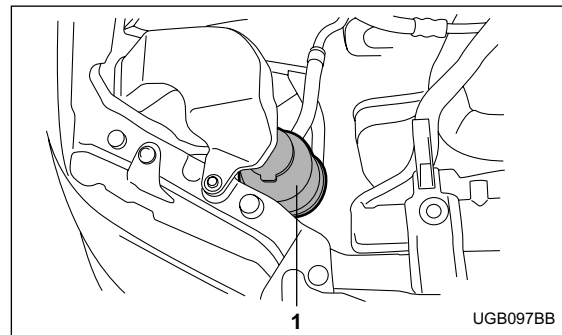
– CONTINUED –



**SAE viscosity No. and applicable temperature  
Sti version**

## Power steering fluid

### ■ Checking the fluid level

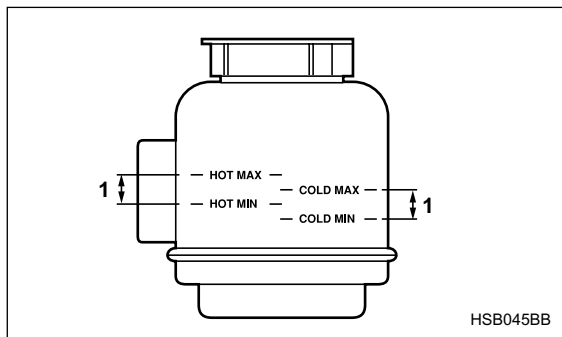


1) Reservoir tank

The power steering fluid expands greatly as its temperature rises; the fluid level differs according to fluid temperature. Therefore, the reservoir tank has two different checking ranges for hot and cold fluids.

Check the power steering fluid level monthly.

1. Park the vehicle on a level surface, and stop the engine.



1) Specified range

2. Check the fluid level of the reservoir tank.

When the fluid is hot after the vehicle has been run: Check that the oil level is between “HOT MIN” and “HOT MAX” on the surface of the reservoir tank.

When the fluid is cool before the vehicle is run: Check that the oil level is between “COLD MIN” and “COLD MAX” on the surface of the reservoir tank.

3. If the fluid level is lower than the applicable “MIN” line, add the recommended fluid as necessary to bring the level between the “MIN” and “MAX” line.

If the fluid level is extreme low, it may indicate possible leakage. Consult your SUBARU dealer for an inspec-

tion.

### **⚠ WARNING**

Be careful not to burn yourself because the fluid may be hot.

### **⚠ CAUTION**

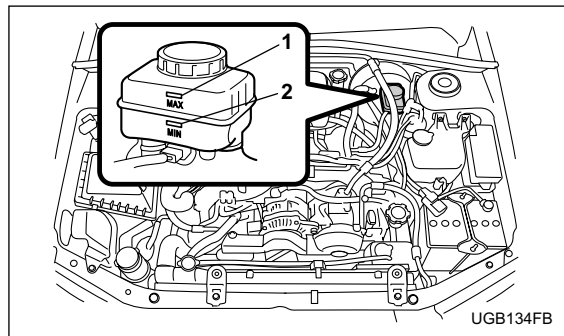
- When power steering fluid is being added, use only clean fluid, and be careful not to allow any dirt into the tank. And never use different brands together.
- Avoid spilling fluid when adding it in the tank.

## ■ Recommended fluid

“Dexron III” Type Automatic Transmission Fluid

## Brake fluid

### ■ Checking the fluid level



- 1) "MAX" level mark
- 2) "MIN" level mark

Check the fluid level monthly.

Check the fluid level on the outside of the reservoir. If the level is below "MIN", add the recommended brake fluid to "MAX".

Use only brake fluid from a sealed container.

### **⚠ WARNING**

- Brake fluid absorbs moisture from the air. Any absorbed moisture can cause a dangerous loss of braking performance.
- If the vehicle requires frequent refilling, there may be a leak. If you suspect a problem, have the vehicle checked at your SUBARU dealer.

### **⚠ CAUTION**

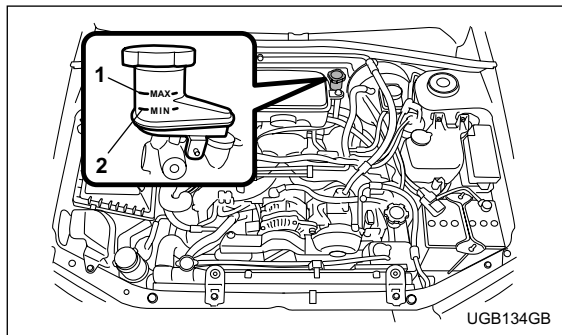
- Never use different brands of brake fluid together.
- When adding brake fluid, be careful not to allow any dirt into the reservoir.
- Never splash the brake fluid over painted surfaces or rubber parts. Alcohol contained in the brake fluid may damage them.

### ■ Recommended brake fluid

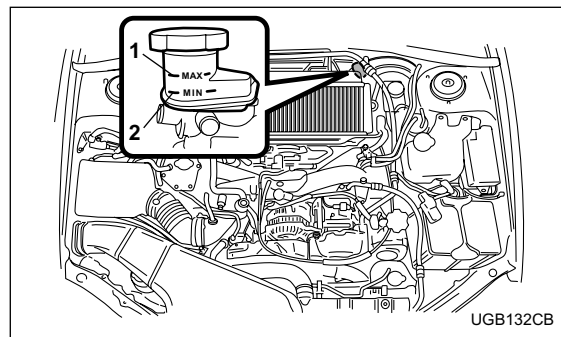
FMVSS No. 116, fresh DOT 3 brake fluid

## Clutch fluid (MT vehicles)

### ■ Checking the fluid level



- 1) "MAX" level mark
- 2) "MIN" level mark



- 1) "MAX" level mark
- 2) "MIN" level mark

Check the fluid level on the outside of the reservoir. If the level is below "MIN" level mark, add the recommended clutch fluid to "MAX" level mark. Use only clutch fluid from a sealed container.

### **⚠ CAUTION**

- Clutch fluid absorbs moisture from the air. Any absorbed moisture can cause improper clutch operation.
- If the vehicle requires frequent refilling, there may be a leak. If you suspect a problem, have

– CONTINUED –

the vehicle checked at your SUBARU dealer.

- Never use different brands of clutch fluid together.
- When clutch fluid is added, be careful not to allow any dirt into the tank.

## ■ Recommended clutch fluid

---

FMVSS No. 116, fresh DOT 3 brake fluid

---

## Brake booster

---

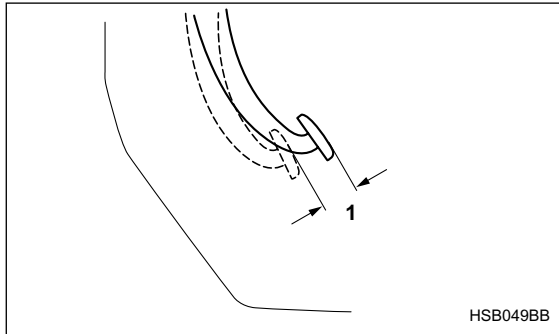
If the brake booster does not operate as described below, have it checked by your SUBARU dealer.

1. With the engine off, depress the brake pedal several times, applying the same pedal force each time. The distance the pedal travels should not vary.
2. With the brake pedal depressed, start the engine. The pedal should move slightly down to the floor.
3. With the brake pedal depressed, stop the engine and keep the pedal depressed for 30 seconds. The pedal height should not change.
4. Start the engine again and run for about one minute then turn it off. Depress the brake pedal several times to check the brake booster. Brake booster operates properly if the pedal stroke decreases with each depression.

## Brake pedal

Check the brake pedal free play and reserve distance according to the maintenance schedule in the “Warranty and Maintenance Booklet”.

### ■ Checking the brake pedal free play



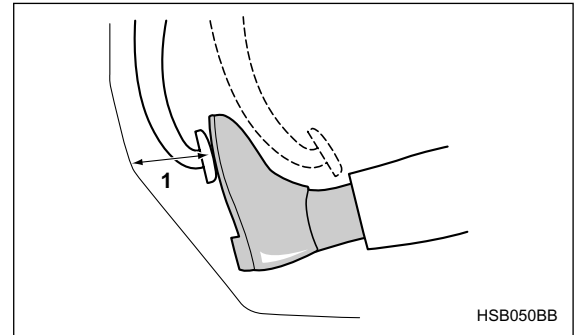
1) 0.04 – 0.12 in (1.0 – 3.0 mm)

Stop the engine and firmly depress the brake pedal several times. Lightly press the brake pedal down with one finger to check the free play with a force of less than 2 lbs (10 N, 1 kg).

If the free play is not within proper specification, con-

tact your SUBARU dealer.

### ■ Checking the brake pedal reserve distance



1) More than 2.56 in (65 mm)

Depress the pedal with a force of approximately 66 lbs (294 N, 30 kg) and measure the distance between the upper surface of the pedal pad and the floor.

When the measurement is smaller than the specification, or when the pedal does not operate smoothly, contact with your SUBARU dealer.



## Clutch pedal (MT vehicles)

---

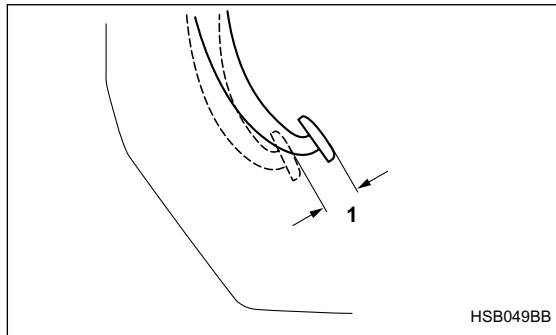
Check the clutch pedal free play and reserve distance according to the maintenance schedule in the “Warranty and Maintenance Booklet”.

### ■ Checking the clutch function

Check the clutch engagement and disengagement.

1. With the engine idling, check that there are no abnormal noises when the clutch pedal is depressed, and that shifting into 1st or reverse feels smooth.
2. Start the vehicle by releasing the pedal slowly to check that the engine and transmission smoothly couple without any sign of slippage.

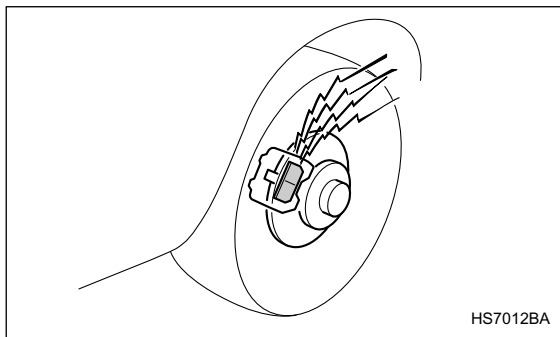
### ■ Checking the clutch pedal free play



1) 0.16 – 0.51 in (4.0 – 13.0 mm)

Lightly press the clutch pedal down with your finger until you feel resistance, and check the free play. If the free play is not within proper specification, contact your SUBARU dealer.

## Replacement of brake pad and lining



The right front disc brake and the right rear disc brake have an audible wear indicators on the brake pads. If the brake pads wear close to their service limit, the wear indicator makes a very audible scraping noise when the brake pedal is applied.

If you hear this scraping noise each time you apply the brake pedal, have the brake pads serviced by your SUBARU dealer as soon as possible.

### **⚠ CAUTION**

If you continue to drive despite the scraping noise from the audible brake pad wear indicator, it will result in the need for costly brake rotor repair or replacement.

### ■ Breaking-in of new brake pads and linings

When replacing the brake pad or lining, use only genuine SUBARU parts. After replacement, the new parts must be broken in as follows:

#### ▼ Brake pad and lining

While maintaining a speed of 30 to 40 mph (50 to 65 km/h), step on the brake pedal lightly. Repeat this five or more times.

#### ▼ Parking brake lining

1. Drive the vehicle at a speed of about 22 mph (35 km/h).
2. With the parking brake release button pushed in, pull the parking brake lever SLOWLY and GENTLY. (Pulling with a force of approximately 33 lbs [147 N, 15 kg].)
3. Drive the vehicle for about 220 yards (200 meters)

– CONTINUED –

in this condition.

4. Wait 5 to 10 minutes for the parking brake to cool down. Repeat this procedure.

5. Check the parking brake stroke. If the parking brake stroke is out of the specified range, adjust it by turning the adjusting nut located on the parking brake lever.

---

Parking brake stroke:

7 – 8 notches / 44 lbs (196 N, 20 kg)

---

**⚠ WARNING**

**A safe location and situation should be selected for break-in driving.**

---

**⚠ CAUTION**

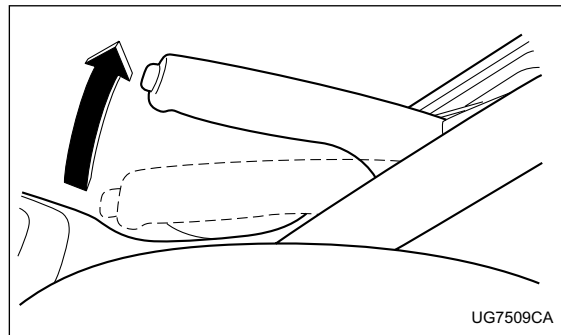
**Pulling the parking brake lever too forcefully may cause the rear wheels to lock. To avoid this, be certain to pull the lever up slowly and gently.**

---

---

## Parking brake stroke

---



Check the parking brake stroke according to the maintenance schedule in the "Warranty and Maintenance Booklet". When the parking brake is properly adjusted, braking power is fully applied by pulling the lever up seven to eight notches gently but firmly (about 44 lbs [196 N, 20 kg]). If the parking brake lever stroke is not within the specified range, have the brake system checked and adjusted at your SUBARU dealer.

---

## Tires and wheels

---

### ■ Types of tires

You should be familiar with type of tires present on your vehicle.

The factory-fitted 17-inch tires on the WRX-STi are summer tires. The factory-fitted tires on other versions are all-season tires. The 17-inch tires that can be dealer-fitted on the WRX as an option are summer tires.

#### ▼ All season tires

All season tires are designed to provide an adequate measure of traction, handling and braking performance in year-round driving including snowy and icy road conditions. However all season tires do not offer as much traction performance as winter (snow) tires in heavy or loose snow or on icy roads.

All season tires are identified by "ALL SEASON" and/or "M+S" (Mud & Snow) on the tire sidewall.

#### ▼ Summer tires

Summer tires are high-speed capability tires best suited for highway driving under dry conditions.

Summer tires are inadequate for driving on slippery roads such as on snow-covered or icy roads.

If you drive your vehicle on snow-covered or icy roads, we strongly recommend the use of winter (snow) tires.

When installing winter tires, be sure to replace all four tires.

#### ▼ Winter (snow) tires

Winter tires are best suited for driving on snow-covered and icy roads. However winter tires do not perform as well as summer tires and all season tires on roads other than snow-covered and icy roads.

### ■ Tire inspection

Check on a daily basis that the tires are free from serious damage, nails, and stones. At the same time, check the tires for abnormal wear.

Contact your SUBARU dealer immediately if you find any problem.

### NOTE

• **When the wheels and tires strike curbs or are subjected to harsh treatment as when the vehicle is driven on a rough surface, they can suffer damage that cannot be seen with the naked eye. This type of damage does not become evident until time has passed. Try not to drive over curbs, potholes or on other rough surfaces. If doing so is unavoidable, keep the vehicle's speed down to a walking pace or less, and approach the curbs as squarely as possible. Also, make sure the tires are**

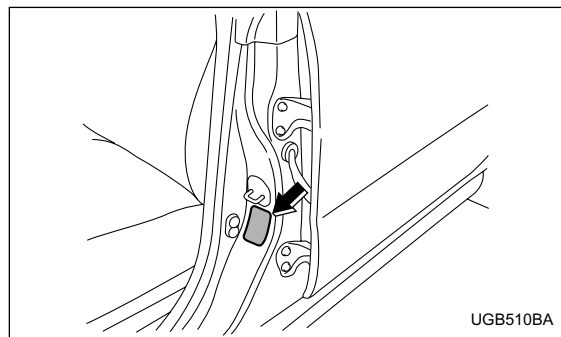
– CONTINUED –

not pressed against the curb when you park the vehicle.

- If you feel unusual vibration while driving or find it difficult to steer the vehicle in a straight line, one of the tires and/or wheels may be damaged. Drive slowly to the nearest authorized SUBARU dealer and have the vehicle inspected.

### ■ Tire pressures and wear

Maintaining the correct tire pressures helps to maximize the tires' service lives and is essential for good running performance. Check and, if necessary, adjust the pressure of each tire (including the spare) at least once a month (for example, during a fuel stop) and before any long journey.



Check the tire pressures when the tires are cold. Use a pressure gauge to adjust the tire pressures to the values shown on the tire placard. The tire placard is located on the door pillar on the driver's side.

Driving even a short distance warms up the tires and increases the tire pressures. Also, the tire pressures are affected by the outside temperature. It is best to check tire pressure outdoors before driving the vehicle.

When a tire becomes warm, the air inside it expands, causing the tire pressure to increase. Be careful not to mistakenly release air from a warm tire to reduce its pressure.

**NOTE**

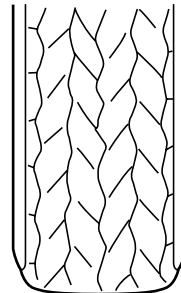
- The air pressure in a tire increases by approximately 4.3 psi (30 kPa, 0.3 kgf/cm<sup>2</sup>) when the tire becomes warm.
- The tires are considered cold when the vehicle has been parked for at least three hours or has been driven less than one mile (1.6 km).

**⚠ WARNING**

**Do not let air out of warm tires to adjust pressure. Doing so will result in low tire pressure.**

Incorrect tire pressures detract from controllability and ride comfort, and they cause the tires to wear abnormally.

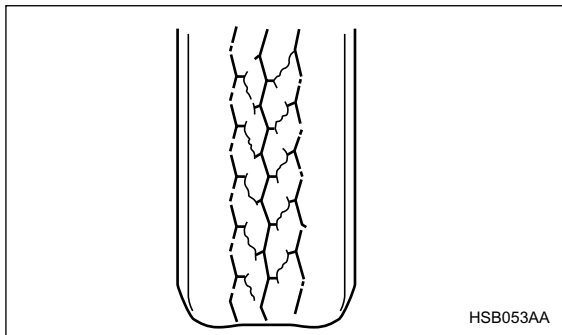
- **Correct tire pressure** (tread worn evenly)



HSB052AA

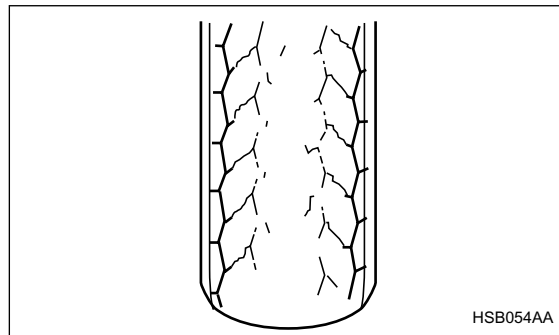
Roadholding is good, and steering is responsive. Rolling resistance is low, so fuel consumption is also lower.

- **Abnormally low tire pressure** (tread worn at shoulders)



Rolling resistance is high, so fuel consumption is also higher.

- **Abnormally high tire pressure** (tread worn in center)



Ride comfort is poor. Also, the tire magnifies the effects of road-surface bumps and dips, possibly resulting in vehicle damage.

If the tire placard shows tire pressures for the vehicle when fully loaded and for the vehicle when towing a trailer, adjust the tire pressures to the values that match current loading conditions.

**▲ WARNING**

**Driving at high speeds with excessively low tire pressures can cause the tires to deform severe-**

ly and to rapidly become hot. A sharp increase in temperature could cause tread separation, and destruction of the tires. The resulting loss of vehicle control could lead to an accident.

## ■ Wheel balance

Each wheel was correctly balanced when your vehicle was new, but the wheels will become unbalanced as the tires become worn during use. Wheel imbalance causes the steering wheel to vibrate slightly at certain vehicle speeds and detracts from the vehicle's straight-line stability. It can also cause steering and suspension system problems and abnormal tire wear. If you suspect that the wheels are not correctly balanced, have them checked and adjusted by your SUBARU dealer. Also have them adjusted after tire repairs and after tire rotation.

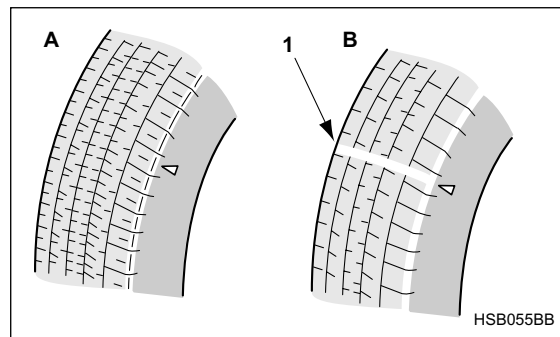
## NOTE

**Loss of correct wheel alignment\* causes the tires to wear on one side and reduces the vehicle's running stability. Contact your SUBARU dealer if you notice abnormal tire wear.**

\*: The suspension system is designed to hold each wheel at a certain alignment (relative to the other wheels and to the road) for optimum straight-line stability and cornering perfor-

mance.

## ■ Wear indicators



- A) New tread
- B) Worn tread
- 1) Tread wear indicator

Each tire incorporates a tread wear indicator, which becomes visible when the depth of the tread grooves decreases to 0.063 in (1.6 mm). A tire must be replaced when the tread wear indicator appears as a solid band across the tread.

– CONTINUED –



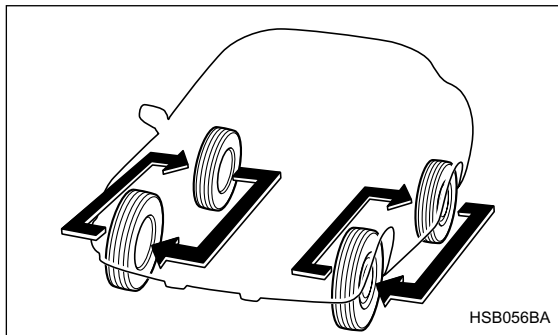
**⚠ WARNING**

When a tire's tread wear indicator becomes visible, the tire is worn beyond the acceptable limit and must be replaced immediately. With a tire in this condition, driving at high speeds in wet weather can cause the vehicle to hydroplane. The resulting loss of vehicle control can lead to an accident.

**NOTE**

For safety, inspect tire tread regularly and replace the tires before their tread wear indicators become visible.

**■ Tire rotation**



Tire wear varies from wheel to wheel. To maximize the life of each tire and ensure that the tires wear uniformly, it is best to rotate the tires every 7,500 miles (12,500 km). Rotating the tires involves switching the front and rear tires on the right hand side of the vehicle and similarly switching the front and rear tires on the left hand side of the vehicle. (Each tire must be kept on its original side of the vehicle.)

Replace any damaged or unevenly worn tire at the time of rotation. After tire rotation, adjust the tire pressures and make sure the wheel nuts are correctly tightened.

After driving approximately 600 miles (1,000 km), check the wheel nuts again and retighten any nut that has become loose.

## ■ Tire replacement

The wheels and tires are important and integral parts of your vehicle's design; they cannot be changed arbitrarily. The tires fitted as standard equipment are optimally matched to the characteristics of the vehicle and were selected to give the best possible combination of running performance, ride comfort, and service life. It is essential for every tire to have a size and construction matching those shown on the tire placard and to have a speed symbol and load index matching those shown on the tire placard.

Using tires of a non-specified size detracts from controllability, ride comfort, braking performance, speedometer accuracy and odometer accuracy. It also creates incorrect body-to-tire clearances and inappropriately changes the vehicle's ground clearance.

All four tires must be the same in terms of manufacturer, brand (tread pattern), construction, and size. You are advised to replace the tires with new ones that are identical to those fitted as standard equipment.

For safe vehicle operation, SUBARU recommends re-

placing all four tires at the same time.

### WARNING

- **All four tires must be the same in terms of manufacturer, brand (tread pattern), construction, degree of wear, speed symbol, load index and size. Mixing tires of different types, sizes or degrees of wear can result in damage to vehicle's power train. Use of different types or sizes of tires can also dangerously reduce controllability and braking performance and can lead to an accident.**
- **Use only radial tires. Do not use radial tires together with belted bias tires and/or bias-ply tires. Doing so can dangerously reduce controllability, resulting in an accident.**

## ■ Wheel replacement

When replacing wheels due, for example, to damage, make sure the replacement wheels match the specifications of the wheels that are fitted as standard equipment. Replacement wheels are available from SUBARU dealers.

– CONTINUED –

**⚠ WARNING**

Use only those wheels that are specified for your vehicle. Wheels not meeting specifications could interfere with brake caliper operation and may cause the tires to rub against the wheel well housing during turns. The resulting loss of vehicle control could lead to an accident.

**NOTE**

When any of the wheels is removed and replaced for tire rotation or to change a flat tire, always check the tightness of the wheel nuts after driving approximately 600 miles (1,000 km). If any nut is loose, tighten it to the specified torque.

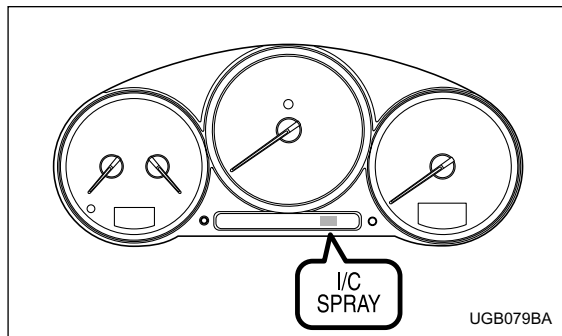
---

## Aluminum wheels

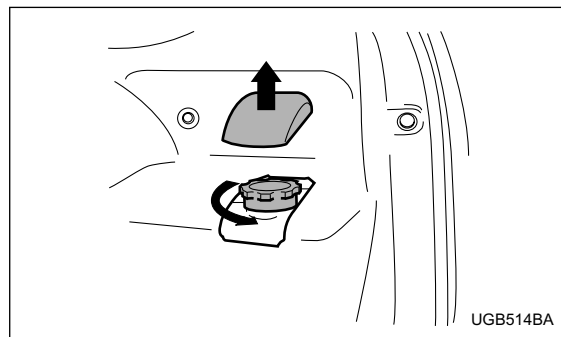
Aluminum wheels can be scratched and damaged easily. Handle them carefully to maintain their appearance, performance, and safety.

- When any of the wheels is removed and replaced for tire rotation or to change a flat, always check the tightness of the wheel nuts after driving approximately 600 miles (1,000 km). If any nut is loose, tighten it to the specified torque.
- Never apply oil to the threaded parts, wheel nuts, or tapered surface of the wheel.
- Never let the wheel rub against sharp protrusions or curbs.
- Be sure to fit tire chains on uniformly and completely around the tire, otherwise the chains may scratch the wheel.
- When wheel nuts, balance weights, or the center cap is replaced, be sure to replace them with genuine SUBARU parts designed for aluminum wheels.

## Intercooler water spray (WRX-STi)



Add water to the intercooler water spray tank when the intercooler water spray warning light in the combination meter comes on. The warning light comes on when the water in the tank has decreased to approximately 0.4 liters (0.4 US qt, 0.4 Imp qt).

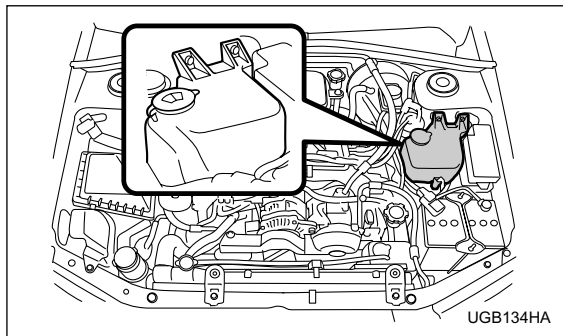


The tank is located on the right hand side of the trunk.

### NOTE

- Use only pure water for refilling.
- In cold weather (when you do not use the intercooler water spray), keep the tank half-empty in case the water freezes. A larger amount of water could break the tank if it froze.

## Windshield washer fluid



Check the level of the washer fluid at each fuel stop. If the level is low, fill the fluid up to the neck of the reservoir.

Use windshield washer fluid. If windshield washer fluid is unavailable use clean water.

In areas where water freezes in winter, use an anti-freeze type windshield washer fluid. SUBARU Windshield Washer Fluid contains 58.5% methyl alcohol and 41.5% surfactant, by volume. Its freezing temperature varies according to how much it is diluted, as indicated in the following table.

Washer Fluid Concentration	Freezing Temperature
30%	10.4°F (-12°C)
50%	-4°F (-20°C)
100%	-49°F (-45°C)

### **⚠ CAUTION**

**Never use engine coolant as washer fluid because it could cause paint damage.**

## Replacement of wiper blades

Grease, wax, insects, or other material on the windshield or the wiper blade results in jerky wiper operation and streaking on the glass. If you cannot remove the streaks after operating the windshield washer or if the wiper operation is jerky, clean the outer surface of the windshield (or rear window) and the wiper blades using a sponge or soft cloth with a neutral detergent or mild-abrasive cleaner. After cleaning, rinse the windshield and wiper blades with clean water. The windshield is clean if beads do not form when you rinse the windshield with water.

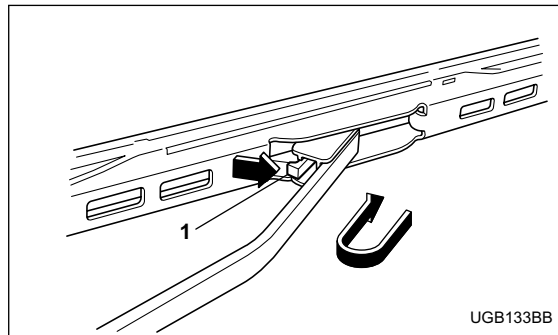
### **CAUTION**

**Do not clean the wiper blades with gasoline or a solvent, such as paint thinner or benzene. This will cause deterioration of the wiper blades.**

If you cannot eliminate the streaking even after following this method, replace the wiper blades using the following procedures:

### ■ Windshield wiper blades assembly

1. Raise the wiper arm off the windshield.

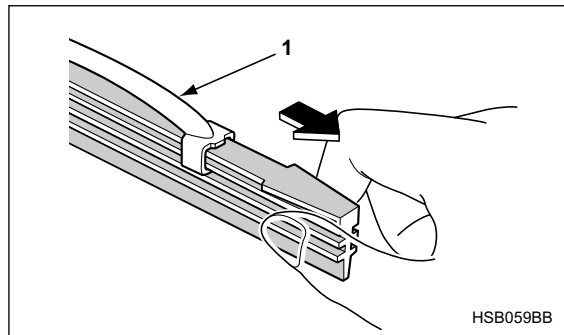


- 1) Stopper

2. Remove the wiper blade assembly by holding its pivot area and pushing it in the direction shown by the arrow while depressing the wiper blade stopper.
3. Install the wiper blade assembly to the wiper arm. Make sure that it locks in place.
4. Hold the wiper arm by hand and slowly lower it in position.

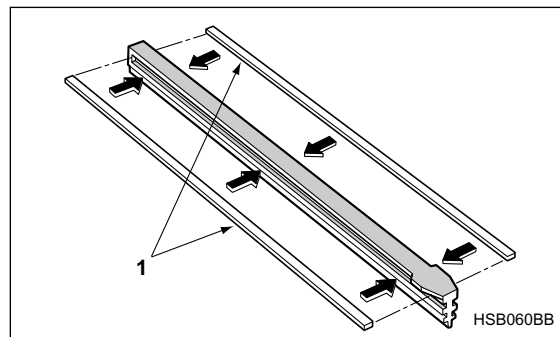
– CONTINUED –

## ■ Windshield wiper blade rubber



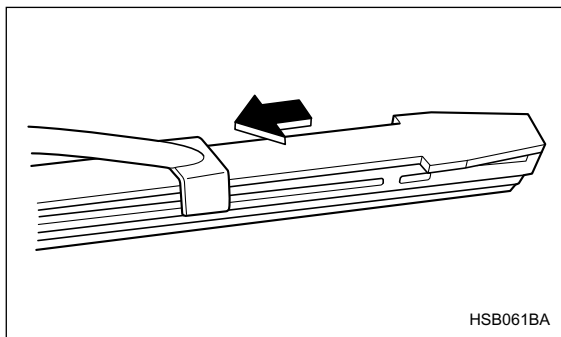
1) Metal support

1. Grasp the locked end of the blade rubber assembly and pull it firmly until the stoppers on the rubber are free of the metal support.



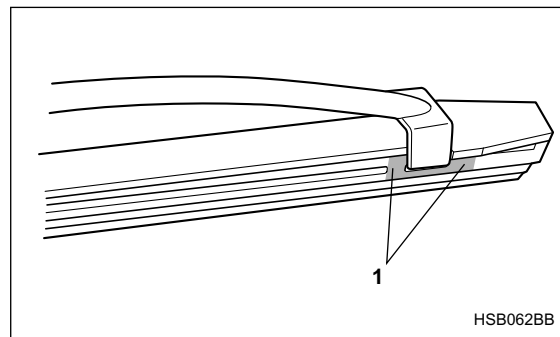
1) Metal spines

2. If the new blade rubber is not provided with two metal spines, remove the metal spines from the old blade rubber and install them in the new blade rubber.



HSB061BA

3. Align the claws of the metal support with the grooves in the rubber and slide the blade rubber assembly into the metal support until it locks.



HSB062BB

- 1) Stopper
- 2)

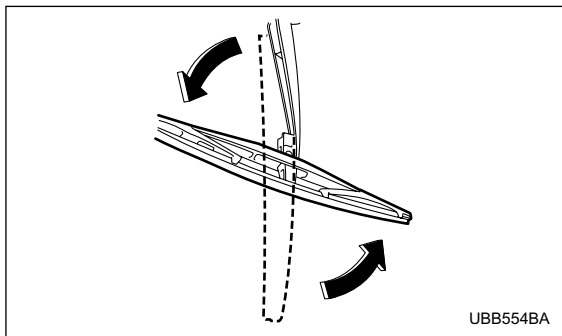
4. Be sure to position the claws at the end of the metal support between the stoppers on the rubber as shown. If the rubber is not retained properly, the wiper blade may scratch the windshield.

### ■ Rear window wiper blade assembly

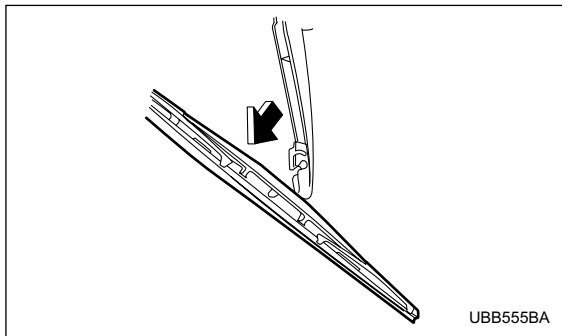
1. Raise the wiper arm off the rear window.

– CONTINUED –



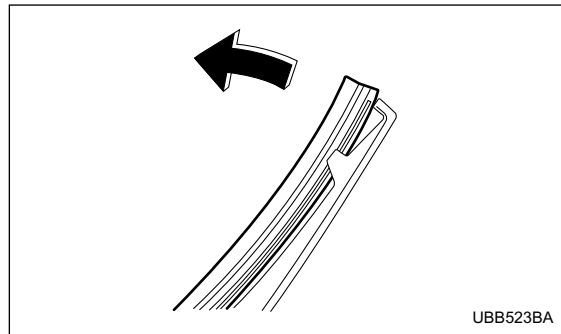


2. Turn the wiper blade assembly counterclockwise.

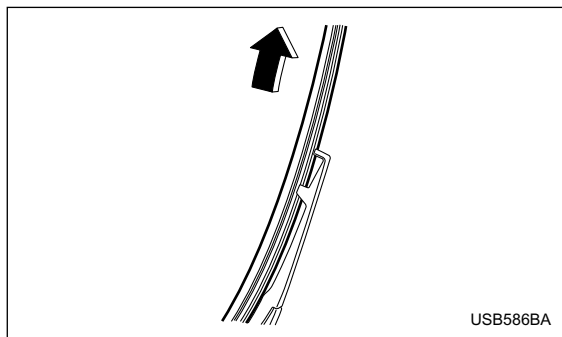


3. Pull the wiper blade assembly toward you to remove it from the wiper arm.

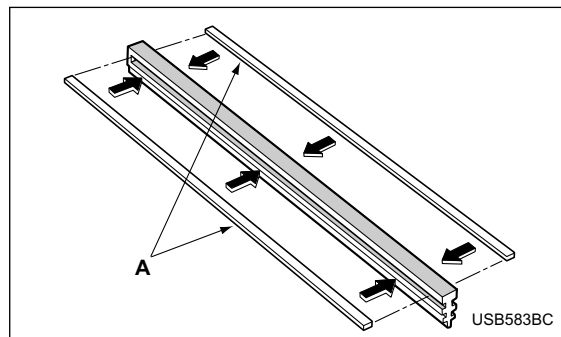
### ■ Rear window wiper blade rubber



1. Pull out the end of the blade rubber assembly to unlock it from the plastic support.

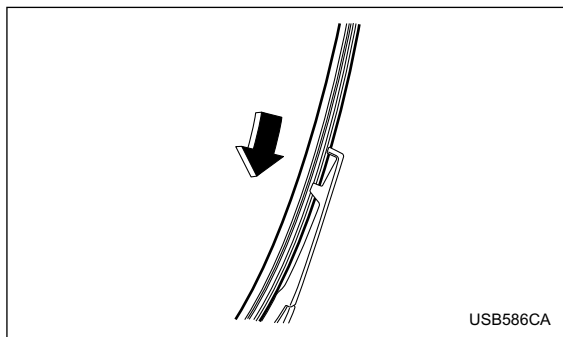


2. Pull the blade rubber assembly out of the plastic support.

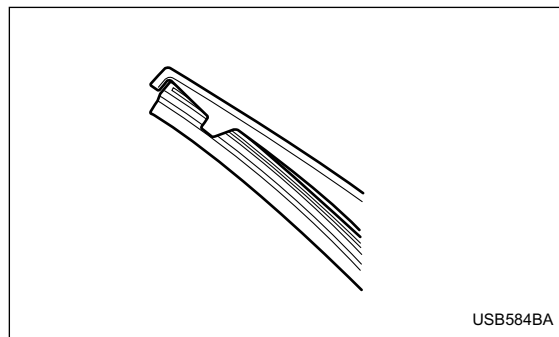


A) Metal spines

3. If the new blade rubber is not provided with two metal spines, remove the metal spines from the old blade rubber and install them in the new blade rubber.



4. Align the claws of the plastic support with the grooves in the blade rubber assembly, then slide the blade rubber assembly into place.



Securely retain both ends of the rubber with the stoppers on the plastic support ends. If the rubber is not retained properly, the wiper may scratch the rear window glass.

5. Install the wiper blade assembly to the wiper arm. Make sure that it locks in place.

6. Hold the wiper arm by hand and slowly lower it in position.

## Battery

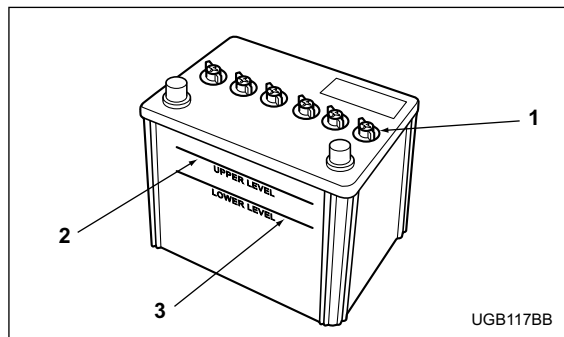
### WARNING

- Before beginning work on or near any battery, be sure to extinguish all cigarettes, matches, and lighters. Never expose a battery to an open flame or electric sparks. Batteries give off a gas which is highly flammable and explosive.
- For safety, in case an explosion does occur, wear eye protection or shield your eyes when working near any battery. Never lean over a battery.
- Do not let battery fluid contact eyes, skin, fabrics, or paint because battery fluid is a corrosive acid. If battery fluid gets on your skin or in your eyes, immediately flush the area with water thoroughly. Seek medical help immediately if acid has entered the eyes. If battery fluid is accidentally swallowed, immediately drink a large amount of milk or water, and seek medical attention immediately.
- To lessen the risk of sparks, remove rings, metal watchbands, and other metal jewelry. Never allow metal tools to contact the positive battery terminal and anything connected to it **WHILE** you are at the same time in contact with

any other metallic portion of the vehicle because a short circuit will result.

- Keep everyone including children away from the battery.
- Charge the battery in a well-ventilated area.
- Battery posts, terminals and related accessories contain lead and lead compounds, chemicals known to the State of California to cause cancer and reproductive harm. Batteries also contain other chemicals known to the State of California to cause cancer. *Wash hands after handling.*

– CONTINUED –



- 1) Cap
- 2) Upper level
- 3) Lower level

It is unnecessary to periodically check the battery fluid level or periodically refill with distilled water. However, if the battery fluid level is below the lower level, remove the cap. Fill to the upper level with distilled water.

**⚠ CAUTION**

**Never use more than 10 amperes when charging the battery because it will shorten battery**

life.

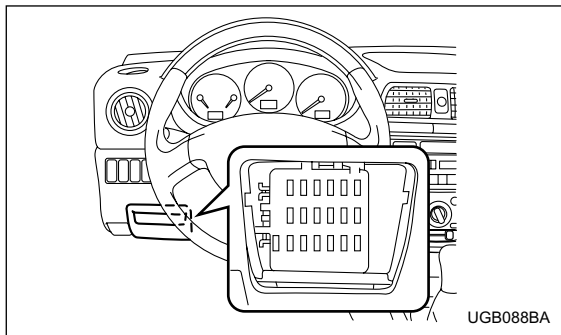
---

## Fuses

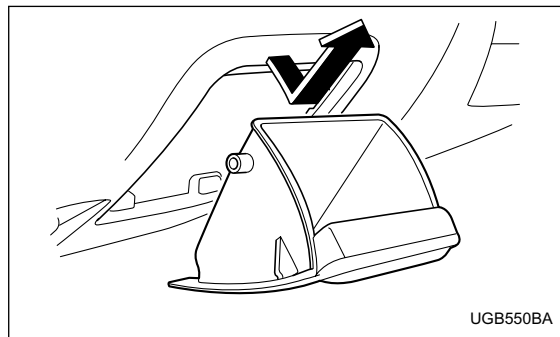
### **⚠ CAUTION**

Never replace a fuse with one having a higher rating or with material other than a fuse because serious damage or a fire could result.

The fuses are designed to melt during an overload to prevent damage to the wiring harness and electrical equipment. The fuses are located in two fuse boxes.

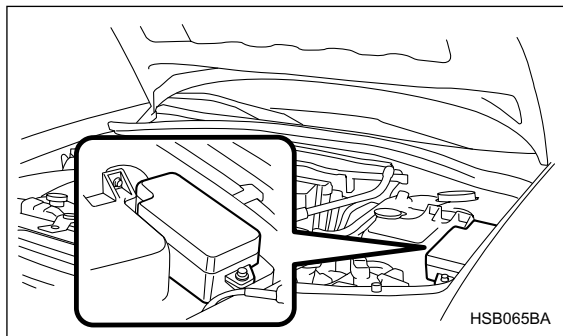


One is located under the instrument panel behind the coin tray on the driver's seat side.

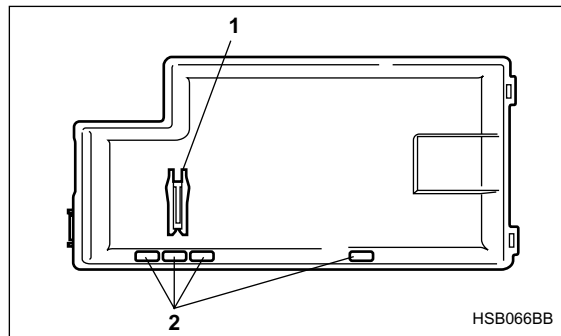


To remove the coin tray, open the cover and pull the coin tray out.

– CONTINUED –

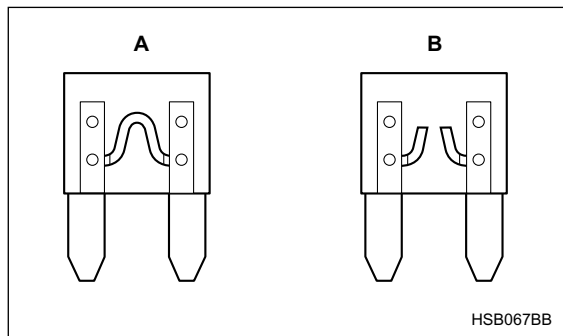


The other one is housed in the engine compartment.



- 1) Fuse puller
- 2) Spare fuse

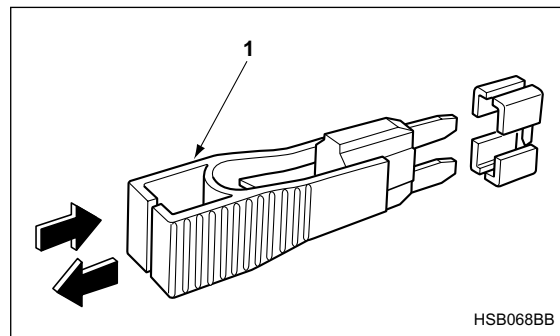
The fuse puller and spare fuses are stored in the main fuse box cover in the engine compartment.



- A) Good  
B) Blown

If any lights, accessories or other electrical controls do not operate, inspect the corresponding fuse. If a fuse has blown, replace it.

1. Turn the ignition switch to the "LOCK" position and turn off all electrical accessories.
2. Remove the cover.
3. Determine which fuse may be blown. The back side of each fuse box cover and the "Fuses and circuits" section in chapter 12 in this manual show the circuit for each fuse.



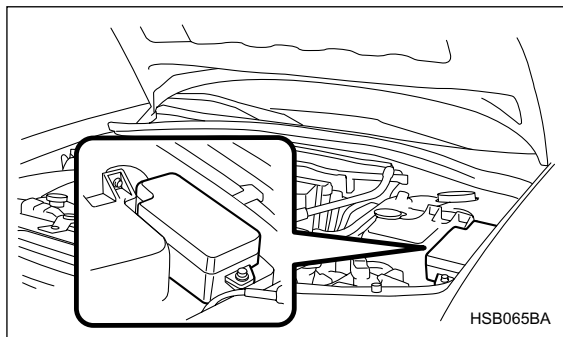
- 1) Fuse puller

4. Pull out the fuse with the fuse puller.
5. Inspect the fuse. If it has blown, replace it with a spare fuse of the same rating.
6. If the same fuse blows again, this indicates that its system has a problem. Contact your SUBARU dealer for repairs.



## Main fuse

---



**Main fuse box**

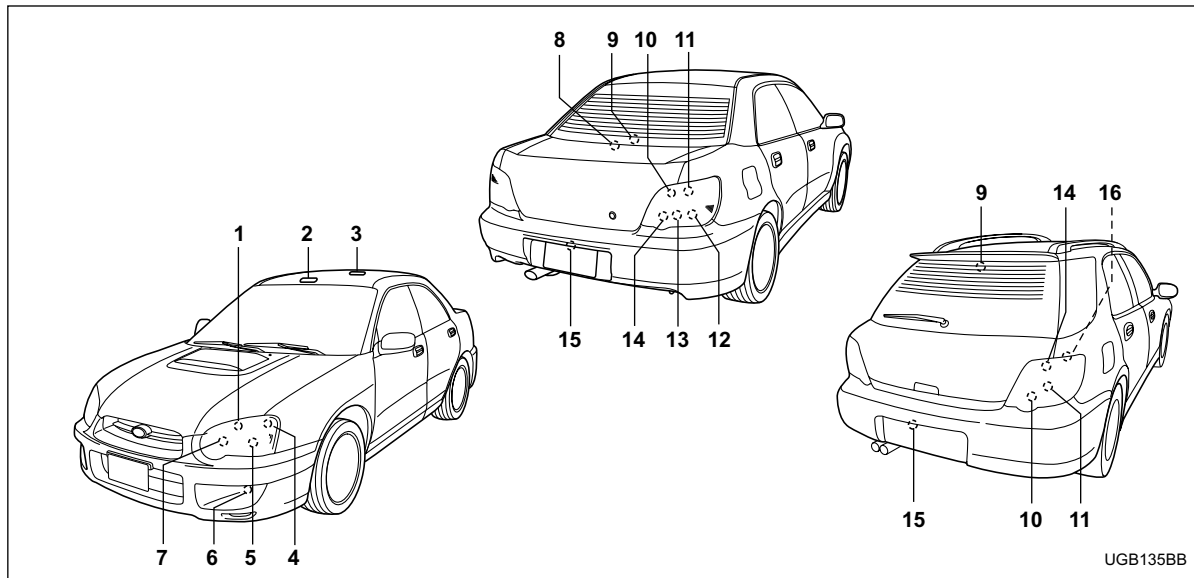
The main fuses are designed to melt during an overload to prevent damage to the wiring harness and electrical equipment. Check the main fuses if any electrical component fails to operate (except the starter motor) and other fuses are good. A melted main fuse must be replaced. Use only replacements with the same specified rating as the melted main fuse. If a main fuse blows after it is replaced, have the electrical system checked by your nearest SUBARU dealer.

## Installation of accessories

---

Always consult your SUBARU dealer before installing fog lights or any other electrical equipment in your vehicle. Such accessories may cause the electronic system to malfunction if they are incorrectly installed or if they are not suited for the vehicle.

## Replacing bulbs



– CONTINUED –

	Wattage	Bulb No.
1) Front turn signal	12V-21W	–
2) Spot light	12V-8W	–
3) Room light	12V-8W	–
4) Parking light	12V-5W	168
5) Low beam head light		
U.S.-spec. WRX-STi	12V-35W	D2R
Except U.S.-spec. WRX-STi	12V-55W	H1
6) Front fog light	12V-55W	H3
7) High beam head light	12V-60W	9005 (HB3)
8) Trunk room light	12V-16W	W16W
9) High mount stop light		
Sedan		
(in compartment)	12V-18W	921
(in rear spoiler)	12V-1.2W	–
Wagon	12V-13W	912
10) Backup light	12V-21W	7440
11) Rear turn signal	12V-21W	–
	(Amber)	
12) Brake/tail light	12V-21/5W	7443
13) Tail light	12V-21/5W	7443
14) Brake light	12V-21W	7440
15) License plate light	12V-5W	168

	Wattage	Bulb No.
16) Cargo area light	12V-13W	–

## ■ Headlights (U.S.-spec. WRX-STi)

### WARNING

**High-intensity-discharge (HID) bulbs are used for the low beams of the headlights on the U.S.-spec. WRX-STi. These HID bulbs use an extremely high voltage. To avoid the risk of an electric shock and resulting serious injury, you should not attempt to replace them. Neither should you attempt to replace the high-beam bulbs, remove/refit the headlight assemblies, or remove any headlight-assembly components. For replacement of the headlight bulbs (low-beam and high-beam), removal and installation of the headlight assemblies, and removal of headlight-assembly components, contact your SUBARU dealer.**

## ■ Headlights (Except U.S.-spec. WRX-STi)

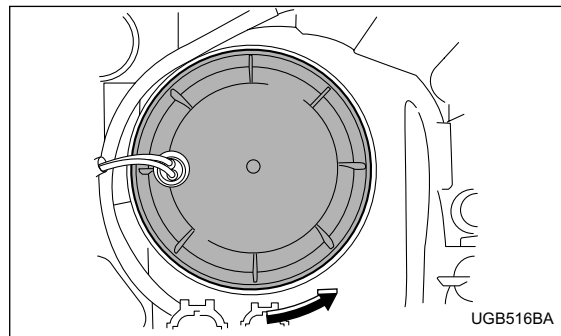
### ▲ CAUTION

Halogen headlight bulbs become very hot while in use. If you touch the bulb surface with bare hands or greasy gloves, finger prints or grease on the bulb surface will develop into hot spots and cause the bulb to break. If there are finger prints or grease on the bulb surface, wipe them away with a soft cloth moistened with alcohol.

### NOTE

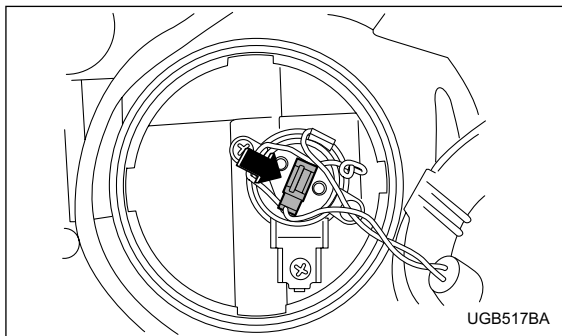
- If headlight aiming is required, consult your SUBARU dealer for proper adjustment of the headlight aim.
- It may be difficult to replace the bulbs. Have your SUBARU dealer replace the bulbs if necessary.

## ▼ Low beam light bulbs

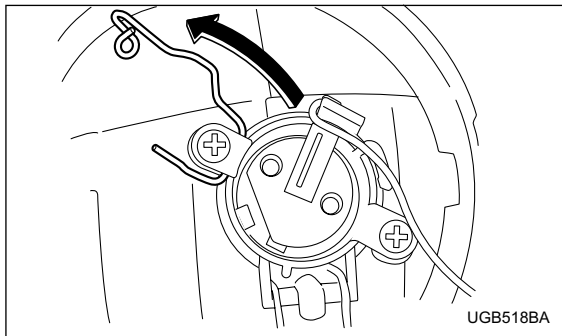


1. Remove the bulb cover, by turning it counterclockwise.

– CONTINUED –

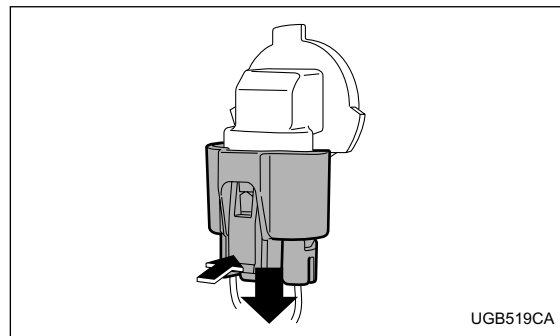


2. Disconnect the electrical connector.

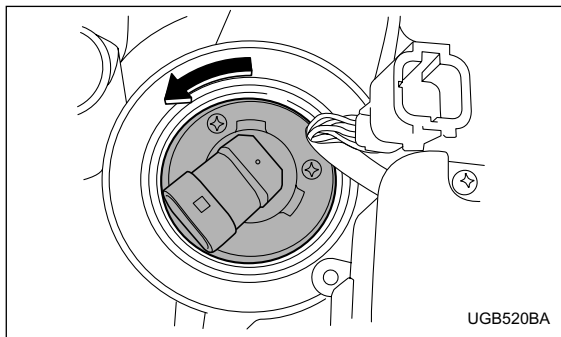


3. Remove the retainer spring.
4. Replace the bulb, then set the retainer spring securely.
5. Reconnect the electrical connector.
6. Install the bulb cover.

▼ High beam light bulbs

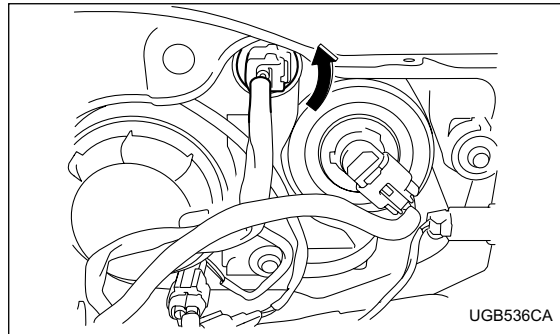


1. Disconnect the electrical connector from the bulb.



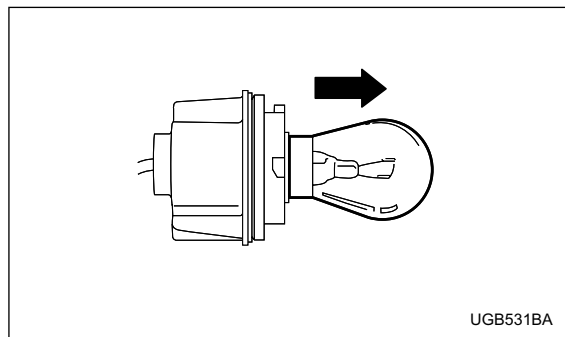
2. Remove the bulb from the headlight assembly by turning it counterclockwise.
3. Replace the bulb with new one.
4. Reconnect the electrical connector. At this time, use care not to touch the bulb surface.
5. To install the bulb to the headlight assembly, turn it clockwise until it clicks.

## ■ Front turn signal light bulbs



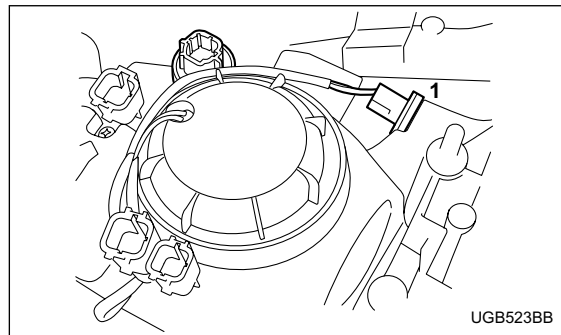
1. Remove the bulb socket from the headlight assembly by turning it counterclockwise.

– CONTINUED –



2. Pull the bulb out of the socket. Install a new bulb.
3. Set the bulb socket into the headlight assembly and turn it clockwise until it locks.
4. Install the headlight assembly and the front grille in the reverse order of removal.

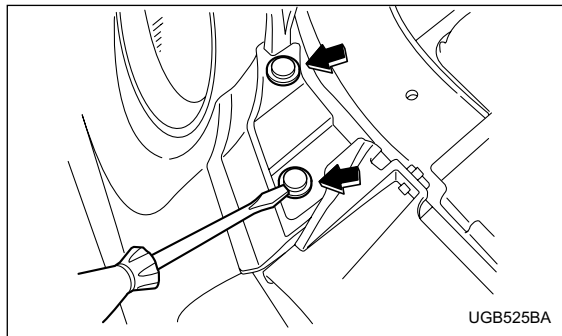
## ■ Parking light



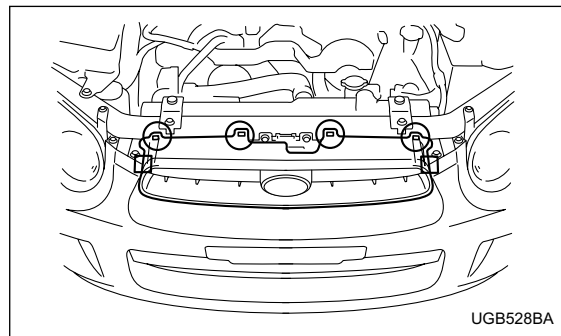
### 1) Parking light

The headlight assembly must be removed before the parking light bulbs can be replaced. When the headlight assembly has been removed and then reinstalled, it may become necessary to make a headlight aiming adjustment. It may be difficult to replace the bulbs. Have your SUBARU dealer replace the bulbs if necessary.

▼ Before removing the headlight assembly

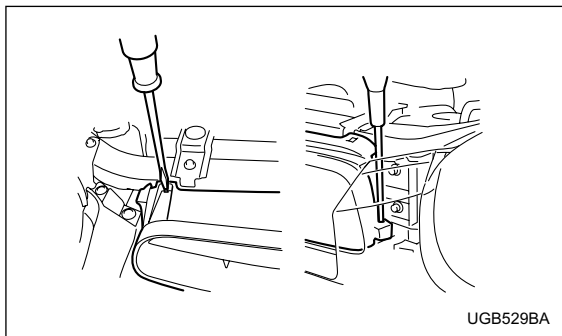


1. Loosen four clips at the top of the front bumper.



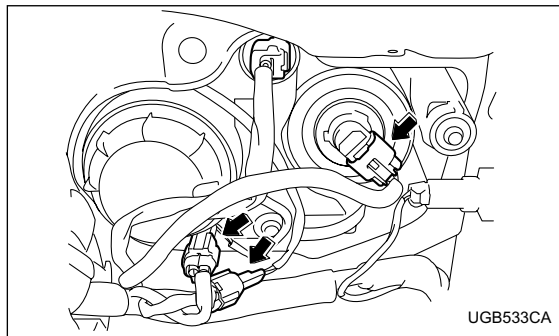
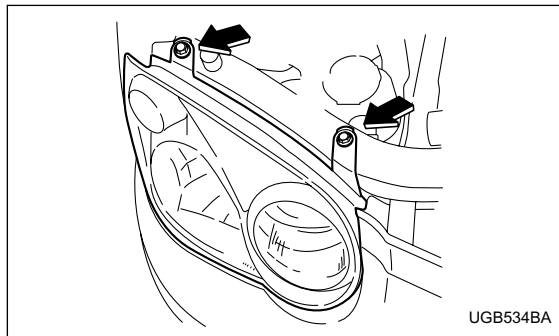
- O: Clip
- : Hook



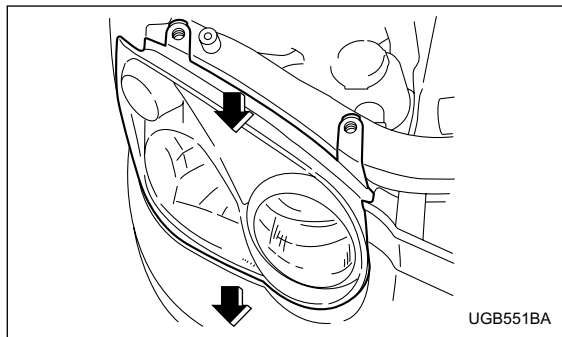


2. Remove the front grille. Use a screwdriver to detach the four clips at the top and the two hooks on each side.

### ▼ Removal of headlight assembly

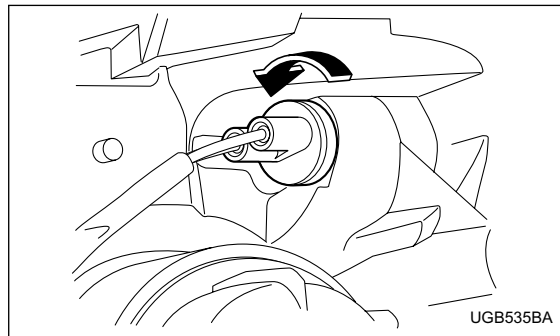


1. Remove two bolts and disconnect connectors.



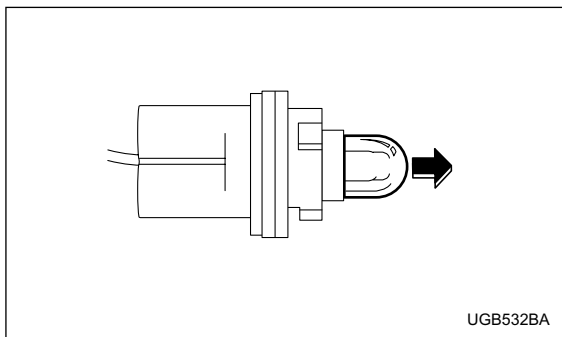
2. Pull the headlight assembly toward you and remove it from the vehicle.

### ▼ Parking light bulbs



1. Remove the bulb socket from the headlight assembly by turning it counterclockwise.

– CONTINUED –



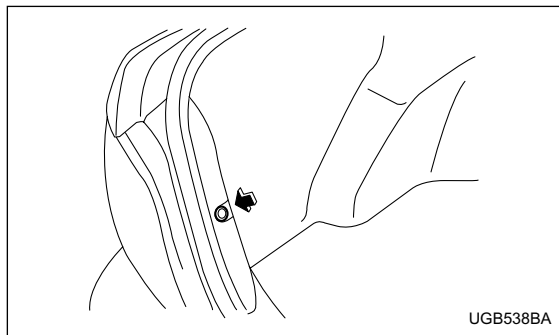
2. Pull the bulb out of the socket. Install a new bulb.
3. Set the bulb socket into the headlight assembly and turn it clockwise until it locks.
4. Install the headlight assembly and the front grille in the reverse order of removal.

### ■ Front fog light

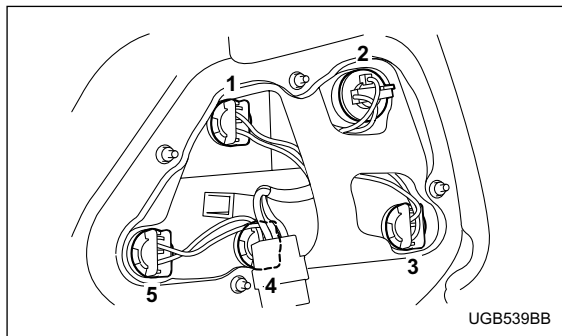
It may be difficult to replace the bulbs. Have your SUBARU dealer replace the bulbs if necessary.

### ■ Rear combination lights

#### ▼ Sedan



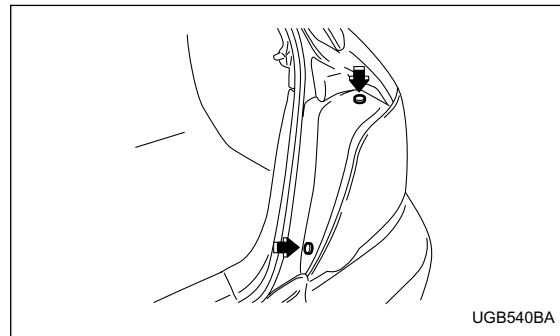
1. Remove the clip from the rear trunk trim with a screwdriver.



- 1) Backup light
- 2) Rear turn signal light
- 3) Brake/tail light
- 4) Tail light
- 5) Brake light

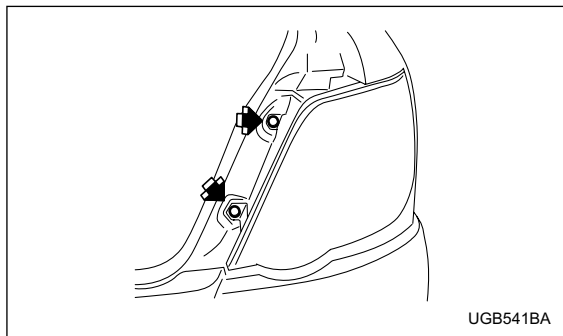
2. Open the rear portion of the side trunk trim panel.
3. Remove the bulb holder from the rear combination light assembly by turning it counterclockwise.
4. Remove the bulb from the socket by pushing it and turning counterclockwise. Install a new bulb.
5. Set the bulb holder into the rear combination light assembly and turn it clockwise until it locks.
6. Secure the rear trunk trim panel with the clips.

### ▼ Wagon

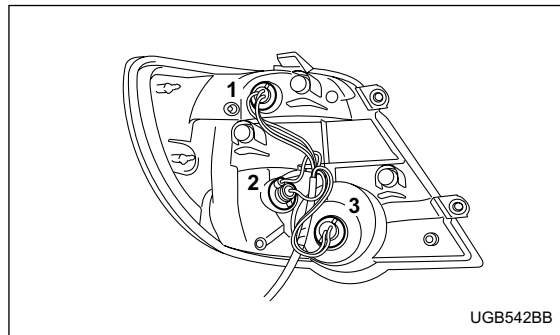


1. Using a Phillips screwdriver, remove the upper and lower screws that secure the side cover of the rear combination light assembly.

– CONTINUED –



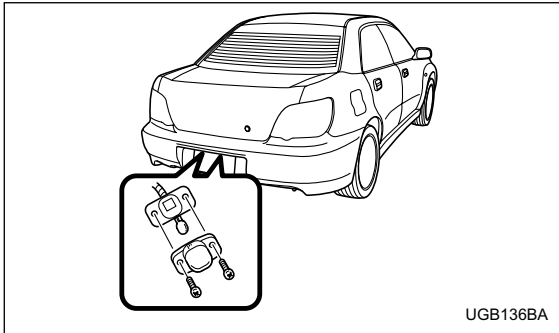
2. Remove the upper and lower screws. Then, slide the rear combination lamp assembly to the rear and remove it from the vehicle.



- 1) Brake/tail light
- 2) Rear turn signal light
- 3) Backup light

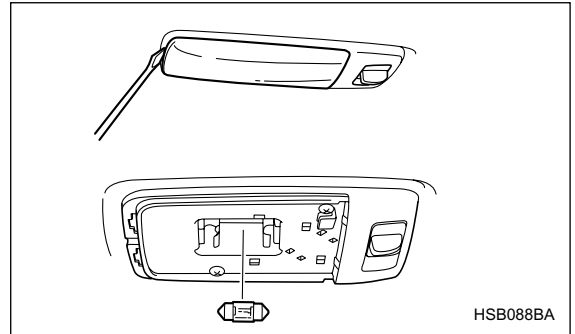
3. Remove the bulb holder from the rear combination light assembly by turning it counterclockwise.  
4. Remove the bulb from the socket by pushing it and turning counterclockwise. Install a new bulb.  
5. Set the bulb holder into the rear combination light assembly and turn it clockwise until it locks.  
6. Close the cover and latch the lock.  
7. Reinstall the rear combination light assembly and its side cover.

## ■ License plate light

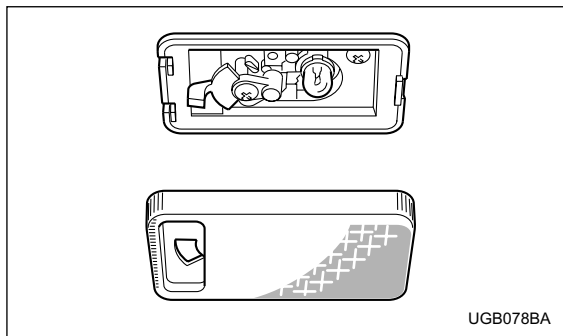
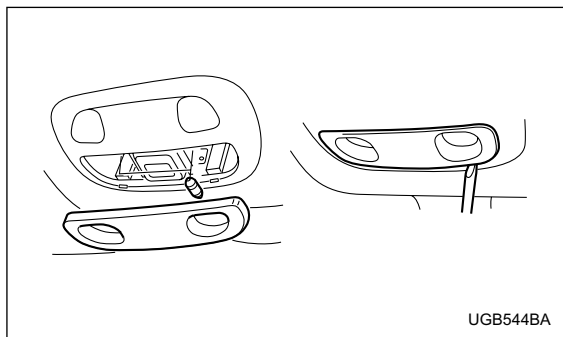


1. Remove the mounting screws using a Phillips screwdriver.
2. Remove the cover and lens.
3. Pull the bulb out of the socket. Install a new bulb.
4. Reinstall the lens and cover.
5. Tighten the mounting screws.

## ■ Dome light, map light and cargo area light



– CONTINUED –

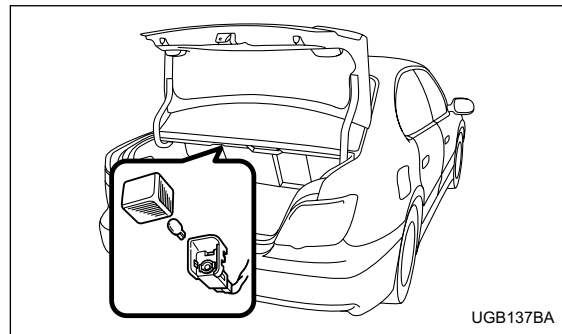


1. Remove the lens by prying the edge of the lens with

a flat-head screwdriver.

2. Pull the bulb out of the socket. Install a new bulb.
3. Reinstall the lens.

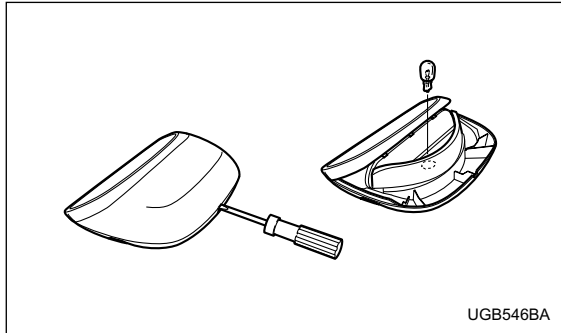
## ■ Trunk light



1. Remove the cover by squeezing its sides and pulling it.
2. Pull the bulb out of the socket. Install a new bulb.
3. Reinstall the cover.

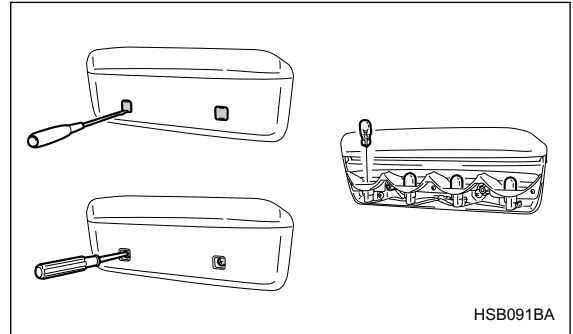
## ■ High mount stop light

### ▼ Sedan



1. Remove the high mount stop light cover by prying the edge with a screwdriver.
2. Pull the bulb out of the socket. Install a new bulb.
3. Reinstall the cover.

### ▼ Wagon



1. Remove the mounting screw covers by prying the edge with a screwdriver.
2. Remove the mounting screws using a Phillips screwdriver and then remove the high mount stop light cover.
3. Remove the bulbs from the socket by pushing it and turning counterclockwise. Install a new bulb.
4. Reinstall the cover.
5. Tighten the mounting screws then reinstall the covers.

### NOTE

Other bulbs may be difficult to replace. Have your

– CONTINUED –



**SUBARU dealer replace these bulbs if necessary.**

# Specifications

---

<b>Specifications</b> .....	<b>12-2</b>
<b>Dimensions</b> .....	<b>12-2</b>
<b>Engine</b> .....	<b>12-3</b>
<b>Electrical system</b> .....	<b>12-3</b>
<b>Capacities</b> .....	<b>12-4</b>
<b>Tires</b> .....	<b>12-5</b>
<b>Wheel alignment</b> .....	<b>12-6</b>
<b>Fuses and circuits</b> .....	<b>12-7</b>
<b>Fuse panel located behind the coin tray</b> .....	<b>12-7</b>
<b>Fuse panel located in the engine compartment</b> .....	<b>12-9</b>
<b>Bulb chart</b> .....	<b>12-10</b>
<b>Vehicle identification</b> .....	<b>12-11</b>

## Specifications

These specifications are subject to change without notice.

### ■ Dimensions

in (mm)

Item	Sedan						Wagon					
	2.5-liter non-turbo		2.0-liter turbo		2.5-liter turbo		2.5-liter non-turbo			2.0-liter turbo		
	RS, RS sport package		WRX		WRX-STi		RS		OUTBACK SPORT		WRX	
Drive system	AWD											
Transmission type	AT	MT	AT	MT	MT	AT	MT	AT	MT	AT	MT	
Overall length	173.8 (4,415)											
Overall width	Sedan	68.5 (1,740)					-					
	Wagon	-					66.7 (1,695)		67.3 (1,710)		66.7 (1,695)	
Overall height	Without roofrail	56.7 (1,440)			56.3 (1,430)		57.7 (1,465)		58.1 (1,475)		57.7 (1,465)	
	With roofrail	-					58.5 (1,485)		58.9 (1,495)		58.5 (1,485)	
Wheel base	99.4 (2,525)				100 (2,540)		99.4 (2,525)					
Tread	Front	58.5 (1,485)			58.7 (1,490)		57.7 (1,465)		57.5 (1,460)		57.7 (1,465)	
	Rear	58.1 (1,475)		58.3 (1,480)		58.9 (1,495)		57.3 (1,455)				
Ground clearance <sup>*1</sup>	5.9 (150)		6.1 (155)		5.7 (145)		5.9 (150)		6.3 (160)		6.1 (155)	

\*1: Measured with vehicle empty

AT: Automatic transmission

MT: Manual transmission

## ■ Engine

Engine model	EJ253 (2.5-liter, SOHC, non-turbo)	EJ205 (2.0-liter, DOHC, turbo)	EJ257 (2.5-liter, DOHC, turbo)
Engine type	Horizontally opposed, liquid cooled 4 cylinder, 4-stroke gasoline engine		
Displacement cc (cu-in)	2,457 (150)	1,994 (122)	2,457 (150)
Bore × Stroke in (mm)	3.9 × 3.1 (99.5 × 79.0)	3.6 × 2.9 (92.0 × 75.0)	3.9 × 3.1 (99.5 × 79.0)
Compression ratio	10.0 : 1	8.0 : 1	8.2 : 1
Firing order	1 – 3 – 2 – 4		

## ■ Electrical system

Battery type and capacity (5HR)	MT		12V-48AH (55D23L)
	AT	With 2.5-liter non-turbo engine	12V-52AH (75D23L)
		With 2.0-liter turbo engine	12V-52AH (65D23L)
Alternator	2.5-liter non-turbo and 2.0-liter turbo engine		12V-75A
	2.5-liter turbo engine		12V-90A
Spark plugs	2.5-liter non-turbo engine		FR5AP-11
	2.0-liter turbo engine		PFR6G (NGK)
	2.5-liter turbo engine		IFLR6B (NGK)

AT: Automatic transmission

MT: Manual transmission

– CONTINUED –

**■ Capacities**

Fuel tank		15.9 US gal (60 liters, 13.2 Imp gal)	
Engine oil		4.2 US qt (4.0 liters, 3.5 Imp qt)	
Transmission oil (MT)	5 speed	3.7 US qt (3.5 liters, 3.1 Imp qt)	
	6 speed	4.3 US qt (4.1 liters, 3.6 Imp qt)	
Transmission oil (AT)		10.0 US qt (9.5 liters, 8.4 Imp qt)	
Power steering gear fluid		0.7 US qt (0.7 liter, 0.6 Imp qt)	
Engine coolant	2.5-liter non-turbo engine	MT	7.4 US qt (7.0 liters, 6.2 Imp qt)
		AT	7.3 US qt (6.9 liters, 6.1 Imp qt)
	2.0-liter turbo engine	MT	8.1 US qt (7.7 liters, 6.8 Imp qt)
		AT	8.0 US qt (7.6 liters, 6.7 Imp qt)
2.5-liter turbo engine	MT	8.1 US qt (7.7 liters, 6.8 Imp qt)	

AT: Automatic transmission

MT: Manual transmission

## ■ Tires

Item		RS, RS sport package, WRX	WRX (option tire)*1	WRX-STi
Tire size		P205/55R16 89V	215/45R17 87W	225/45R17 90W
Wheel size		16 × 6 <sup>1</sup> / <sub>2</sub> JJ	17 × 7 JJ	17 × 8 JJ
Pressure	Front	32 psi (220 kPa, 2.2 kgf/cm <sup>2</sup> )	33 psi (230 kPa, 2.3 kgf/cm <sup>2</sup> )	36 psi (250 kPa, 2.5 kgf/cm <sup>2</sup> )
	Rear	29 psi (200 kPa, 2.0 kgf/cm <sup>2</sup> )	32 psi (220 kPa, 2.2 kgf/cm <sup>2</sup> )	30 psi (210 kPa, 2.1 kgf/cm <sup>2</sup> )
Temporary spare tire	Size	T135/70 D16		T135/70 D17
	Pressure	60 psi (420 kPa, 4.2 kgf/cm <sup>2</sup> )		

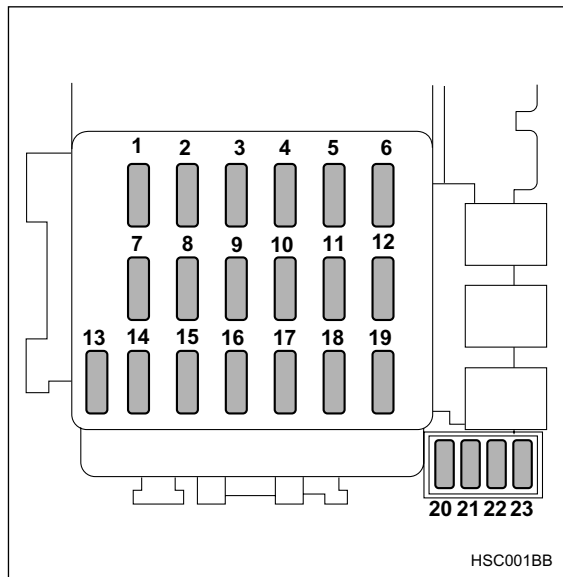
\*1: The recommended cold tire pressure for the 215/45R17 87W tire is not indicated on the vehicle placard attached to the driver's side B-pillar since this tire is a dealer option for the WRX. If your vehicle is equipped with 215/45R17 87W tires, be sure to adjust them to the air pressure shown on this page.

## ■ Wheel alignment

Item		Sedan			Wagon		
		2.5-liter non-turbo	2.0-liter turbo	2.5-liter turbo	2.5-liter non-turbo		2.0-liter turbo
		RS, RS sport package	WRX	WRX-STi	RS	OUTBACK SPORT	WRX
Drive system		AWD					
Toe	Front	0 in (0 mm)					
	Rear	0 in (0 mm)					
Camber	Front	-0°15'	-0°25'	-0°30'	-0°10'	-0°05'	-0°20'
	Rear	-1°25'	-1°30'	-1°40'	-1°15'	-1°10'	-1°20'

## Fuses and circuits

### ■ Fuse panel located behind the coin tray



Fuse panel	Fuse rating	Circuit
1	15A	<ul style="list-style-type: none"> <li>• Heater fan</li> </ul>
2	15A	<ul style="list-style-type: none"> <li>• Heater fan</li> </ul>
3	15A	<ul style="list-style-type: none"> <li>• Power door lock</li> <li>• Remote keyless entry</li> </ul>
4	20A	<ul style="list-style-type: none"> <li>• Cigarette lighter</li> <li>• Remote controlled rear view mirrors</li> </ul>
5	10A	<ul style="list-style-type: none"> <li>• Tail light</li> <li>• Parking light</li> </ul>
6	15A	<ul style="list-style-type: none"> <li>• SRS airbag</li> </ul>
7	15A	<ul style="list-style-type: none"> <li>• Fog light</li> </ul>
8	20A	<ul style="list-style-type: none"> <li>• ABS solenoid</li> </ul>
9	15A	<ul style="list-style-type: none"> <li>• Radio</li> </ul>
10	Empty	
11	15A	<ul style="list-style-type: none"> <li>• Engine ignition system</li> <li>• SRS airbag</li> <li>• AT control system</li> </ul>

– CONTINUED –



## Specifications

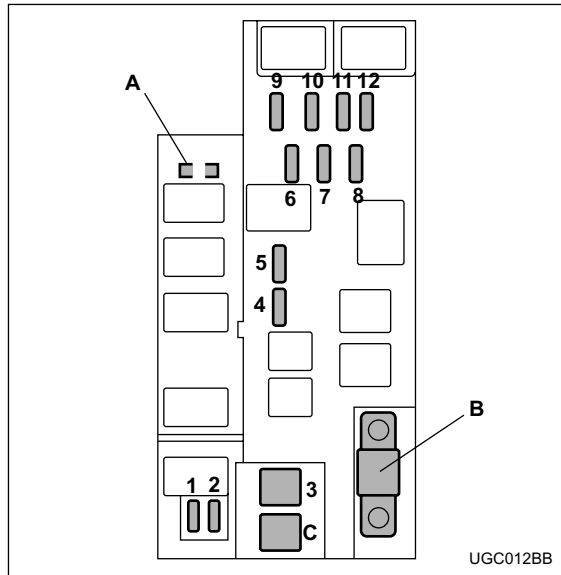
---

Fuse panel	Fuse rating	Circuit
12	10A	<ul style="list-style-type: none"><li>• Illumination brightness control</li></ul>
13	10A	<ul style="list-style-type: none"><li>• Combination meter</li><li>• SRS lamp</li></ul>
14	10A	<ul style="list-style-type: none"><li>• Rear window wiper and washer</li></ul>
15	30A	<ul style="list-style-type: none"><li>• Windshield wiper and washer</li></ul>
16	20A	<ul style="list-style-type: none"><li>• Brake light</li></ul>
17	15A	<ul style="list-style-type: none"><li>• Air conditioner</li></ul>
18	15A	<ul style="list-style-type: none"><li>• Backup light</li><li>• Cruise control</li></ul>
19	20A	<ul style="list-style-type: none"><li>• Mirror heater</li></ul>
20	Empty	
21	Empty	
22	10A	<ul style="list-style-type: none"><li>• ABS ignition</li></ul>

Fuse panel	Fuse rating	Circuit
23	20A	<ul style="list-style-type: none"><li>• Accessory power outlet (cargo)</li><li>• Seat heater</li></ul>

---

■ Fuse panel located in the engine compartment



- A) FWD socket (AT models except Turbo)
- B) Main fuse
- C) Engine sensor (Non-turbo models)

Fuse panel	Fuse rating	Circuit
1	20A	<ul style="list-style-type: none"> <li>• Radiator cooling fan (Main)</li> </ul>
2	20A	<ul style="list-style-type: none"> <li>• Radiator cooling fan (Sub)</li> </ul>
3	30A	<ul style="list-style-type: none"> <li>• ABS motor</li> </ul>
4	20A	<ul style="list-style-type: none"> <li>• Rear window defogger</li> </ul>
5	15A	<ul style="list-style-type: none"> <li>• Hazard warning flasher</li> <li>• Horn</li> </ul>
6	15A	<ul style="list-style-type: none"> <li>• Turn signal lights</li> </ul>
7	10A	<ul style="list-style-type: none"> <li>• Automatic transmission control unit</li> </ul>
8	10A	<ul style="list-style-type: none"> <li>• Alternator</li> </ul>
9	15A	<ul style="list-style-type: none"> <li>• Headlight (right side)</li> </ul>
10	15A	<ul style="list-style-type: none"> <li>• Headlight (left side)</li> </ul>
11	20A	<ul style="list-style-type: none"> <li>• Lighting switch</li> </ul>
12	20A	<ul style="list-style-type: none"> <li>• Clock</li> <li>• Interior light</li> </ul>

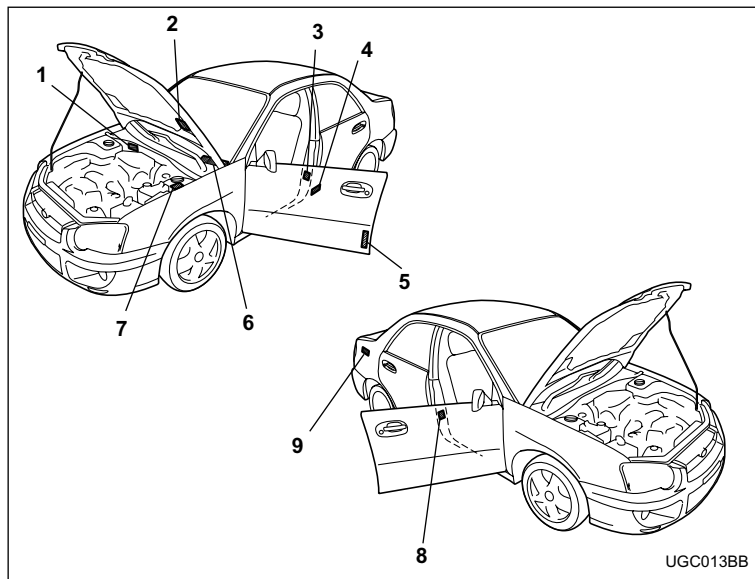
**Bulb chart**

---

<b>Description</b>	<b>Wattage</b>	<b>Bulb type</b>
Headlight		
U.S.-spec. WRX-STi version		
Low beam	12V-35W	D2R
High beam	12V-60W	9005 (HB3)
Except U.S.-spec. WRX-STi version		
Low beam	12V-55W	H1
High beam	12V-60W	9005 (HB3)
Front fog light	12V-55W	H3
Front turn signal	12V-21W	–
Parking light	12V-5W	168
Rear combination light		
Brake light (Sedan)	12V-21W	7440
Brake/tail light	12V-21/5W	7443
Turn signal light (Amber)	12V-21W	–
Tail light (Sedan)	12V-21/5W	7443
Back-up light	12V-21W	7440

<b>Description</b>	<b>Wattage</b>	<b>Bulb type</b>
High mount stop light		
Sedan (in compartment)	12V-18W	921
Sedan (in rear spoiler)	12V-1.2W	–
Wagon	12V-13W	912
License plate light	12V-5W	168
Trunk room light	12V-16W	W16W
Cargo area light	12V-13W	–
Front ashtray light	12V-1.4W	–
Dome light	12V-8W	–
Map light	12V-8W	–

## Vehicle identification



- 1) Vehicle identification number
- 2) Vacuum hose connections label/Emission control label
- 3) Tire inflation pressure label
- 4) Certification plate
- 5) Bar cord label (U.S. only)
- 6) Vehicle identification number plate
- 7) Model number plate
- 8) Radio noise label (Canada only)
- 9) Fuel label

---

---

---

---

---

---

---

---

---

---

---

---

---

# ***Consumer information and Reporting safety defects***

---

<b>Tire information .....</b>	<b>13-2</b>
<b>Tire labeling .....</b>	<b>13-2</b>
<b>Recommended tire inflation pressure .....</b>	<b>13-5</b>
<b>Glossary of tire terminology .....</b>	<b>13-7</b>
<b>Tire care – maintenance and safety practices .....</b>	<b>13-8</b>
<b>Vehicle load limit – how to determine .....</b>	<b>13-9</b>
<b>Determining compatibility of tire and vehicle load capacities .....</b>	<b>13-13</b>
<b>Adverse safety consequences of overloading on handling and stopping and on tires .....</b>	<b>13-14</b>
<b>Steps for Determining Correct Load Limit .....</b>	<b>13-14</b>
<b>Uniform tire quality grading standards .....</b>	<b>13-15</b>
<b>Treadwear .....</b>	<b>13-15</b>
<b>Traction AA, A, B, C .....</b>	<b>13-15</b>
<b>Temperature A, B, C .....</b>	<b>13-16</b>
<b>Reporting safety defects (USA) .....</b>	<b>13-17</b>

### For U.S.A.

The following information has been compiled according to Code of Federal Regulations "Title 49, Part 575".

## Tire information

---

### ■ Tire labeling

Many markings (e.g. Tire size, Tire Identification Number or TIN) are placed on the sidewall of a tire by tire manufacturers. These marking can provide you with useful information on the tire.

#### ▼ Tire size

Your vehicle comes equipped with P-Metric tire size. It is important to understand the sizing system in selecting the proper tire for your vehicles. Here is a brief review of the tire sizing system with a breakdown of its individual elements.

#### ▽ P Metric

With the P-Metric system, Section Width is measured in millimeters. To convert millimeters into inches, divide by 25.4. The Aspect Ratio (Section Height divided by Section Width) helps pro-

vide more dimensional information about the tire size.

#### Example:

**P**   **205** / **55**   **R**   **16**  
(1)   (2)   (3)   (4)   (5)

- (1) P = Certain tire type used on light duty vehicles such as passenger cars
- (2) Section Width in millimeters
- (3) Aspect Ratio (= section height ÷ section width).
- (4) R = Radial Construction
- (5) Rim diameter in inches

#### ▽ Load and Speed Rating Descriptions

The load and speed rating descriptions will appear following the size designation. They provide two important facts about the tire. First, the number designation is its load index. Second, the letter designation indicates the tire's speed rating.

**Example:**

**P 205 / 55 R 16 89 V**  
 Size designation (6) (7)

(6) Load Index: A numerical code which specifies the maximum load a tire can carry at the speed indicated by its speed symbol, at maximum inflation pressure.

For example, “90” means 1,323 lbs (600 kg), “89” means 1,278 lbs (580 kg).

**⚠ WARNING**

**Load indices apply only to the tire, not to the vehicle. Putting a load rated tire on any vehicle does not mean the vehicle can be loaded up to the tire’s rated load.**

(7) Speed Rating: An alphabetical system describing a tire’s capability to travel at established and predetermined speeds.

For example, “V” means 149 mph (240 km/h)

**⚠ WARNING**

- Speed ratings apply only to the tire, not to the vehicle. Putting a speed rated tire on any vehicle does not mean the vehicle can be operated at the tire’s rated speed.
- The speed rating is void if the tires are worn out, damaged, repaired, retreaded, or otherwise altered from their original condition. If tires are repaired, retreaded, or otherwise altered, they may not be suitable for original equipment tire designed loads and speeds.

**▼ Tire Identification Number (TIN)**

Tire Identification Number (TIN) is marked on the intended outboard sidewall. The TIN is composed of four groups. Here is a brief review of the TIN with a breakdown of its individual elements.

**DOT XX XX XXX XXXX**  
 (1) (2) (3) (4)

(1) Manufacturer’s Identification Mark

– CONTINUED –



- (2) Tire Size
- (3) Tire Type Code
- (4) Date of Manufacture

The first two figures identify the week, starting with “01” to represent the first full week of the calendar year; the second two figures represent the year. For example, 0101 means the 1st week of 2001.

#### ▼ Other markings

The following markings are also placed on the sidewall.

#### ▽ Maximum permissible inflation pressure

The maximum cold inflation pressure to which this tire may be inflated. For example, “300 kpa (44 PSI) MAX. PRESS”

#### ▽ Maximum load rating

The load rating at the maximum permissible weight load for this tire. For example, “MAX. LOAD 580 kg (1279 LBS) @ 300 kpa (44 PSI) MAX. PRESS.”

### WARNING

**Maximum load rating applies only to the tire, not to the vehicle. Putting a load rated tire on any vehicle does not mean the vehicle can be loaded up to the tire’s rated load.**

#### ▽ Construction type

Applicable construction of this tire.  
For example, “TUBELESS STEEL BELTED RADIAL”

#### ▽ Construction

The generic name of each cord material used in the plies (both sidewall and tread area) of this tire.  
For example, “PLIES: TREAD 2 STEEL + 2 POLYESTER SIDEWALL 2 POLYESTER”

#### ▽ Uniform Tire Quality Grading (UTQG)

For details, refer to “Uniform tire quality grading standards” in this chapter.

## ■ Recommended tire inflation pressure

### ▼ Recommended cold tire inflation pressure

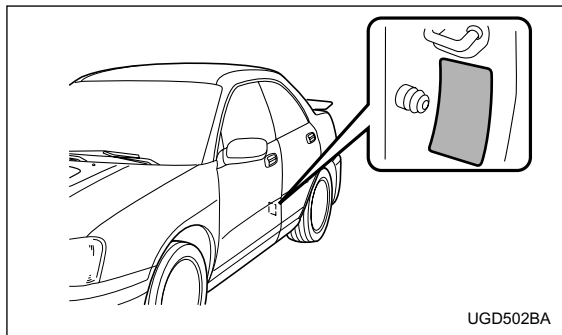
Recommended cold tire inflation pressure for your vehicle's tires is as follows,

Item		RS, RS sport package, WRX	WRX (option tire) <sup>*1</sup>	WRX-STi
Tire size		P205/55R16 89V	215/45R17 87W	225/45R17 90W
Wheel size		16 × 6 <sup>1</sup> / <sub>2</sub> JJ	17 × 7 JJ	17 × 8 JJ
Pressure	Front	32 psi (220 kPa, 2.2 kgf/cm <sup>2</sup> )	33 psi (230 kPa, 2.3 kgf/cm <sup>2</sup> )	36 psi (250 kPa, 2.5 kgf/cm <sup>2</sup> )
	Rear	29 psi (200 kPa, 2.0 kgf/cm <sup>2</sup> )	32 psi (220 kPa, 2.2 kgf/cm <sup>2</sup> )	30 psi (210 kPa, 2.1 kgf/cm <sup>2</sup> )
Temporary spare tire	Size	T135/70 D16		T135/70 D17
	Pressure	60 psi (420 kPa, 4.2 kgf/cm <sup>2</sup> )		

\*1: The recommended cold tire pressure for the 215/45R17 87W tire is not indicated on the vehicle placard attached to the driver's side B-pillar since this tire is a dealer option for the WRX. If your vehicle is equipped with 215/45R17 87W tires, be sure to adjust them to the air pressure shown on this page.

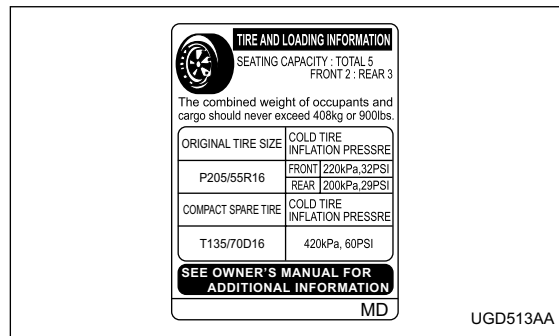
– CONTINUED –

### ▼ Vehicle placard



The vehicle placard is affixed to the driver's side B-pillar.

### Example:



The vehicle placard shows original tire size, recommended cold tire inflation pressure on each tire at maximum loaded vehicle weight, seating capacity and loading information.

### ▼ Adverse safety consequences of under-inflation

Driving at high speeds with excessively low tire pressures can cause the tires to flex severely and to rapidly become hot. A sharp increase in temperature could cause tread separation, and failure of the tire(s). Possible resulting loss of ve-

hicle control could lead to an accident.

▼ **Measuring and adjusting air pressure to achieve proper inflation**

Check and, if necessary, adjust the pressure of each tire (including the spare) at least once a month and before any long journey. Check the tire pressures when the tires are cold. Use a pressure gauge to adjust the tire pressures to the specific values. Driving even a short distance warms up the tires and increases the tire pressures. Also, the tire pressures are affected by the outside temperature. It is best to check tire pressure outdoors before driving the vehicle. When a tire becomes warm, the air inside it expands, causing the tire pressure to increase. Be careful not to mistakenly release air from a warm tire to reduce its pressure.

■ **Glossary of tire terminology**

• **Cold tire pressure**

The pressure in a tire that has been driven less than 1 mile or has been standing for three hours or more.

• **Maximum inflation pressure**

The maximum cold inflation pressure to which a tire may be inflated.

• **Recommended inflation pressure**

The cold inflation pressure recommended by a vehicle manufacturer.

• **Intended outboard sidewall**

1)The sidewall that contains a whitewall, bears white lettering or bears manufacturer, brand, and/or model name molding that is higher or deeper than the same molding on the other sidewall of the tire, or

2)The outward facing sidewall of an asymmetrical tire that has a particular side that must always face outward when mounting on a vehicle.

• **Accessory weight**

The combined weight (in excess of those standard items which may be replaced) of floor mats, leather seats and cross bars to the extent that these items are available as factory-installed equipment (whether installed or not).

• **Curb weight**

The weight of a motor vehicle with standard equipment including the maximum capacity of fuel, oil, and coolant and air conditioning.

– CONTINUED –

- **Maximum loaded vehicle weight**

The sum of curb weight, accessory weight, vehicle capacity weight and production options weight.

- **Normal occupant weight**

150 lbs (68 kg) times the number of occupants (3 occupants).

- **Occupant distribution**

Distribution of occupants in a vehicle, 2 in front, 1 in rear seat.

- **Production options weight**

The combined weight of those installed regular production options weighing over 5.1 lbs (2.3 kg) in excess of those standards items which they replace, not previously considered in curb weight or accessory weight.

- **Vehicle capacity weight**

The total weight of cargo, luggage and occupants that can be added to the vehicle.

- **Vehicle maximum load on a tire**

Load on an individual tire that is determined by distributing to each axle its share of the maximum loaded vehicle weight and dividing by two.

- **Vehicle normal load on a tire**

Load on an individual tire that is determined by

distributing to each axle its share of the curb weight, accessory weight, and normal occupant weight and dividing by two.

- **Tire care – maintenance and safety practices**

- Check on a daily basis that the tires are free from serious damage, nails, and stones. At the same time, check the tires for abnormal wear.

- Inspect the tire tread regularly and replace the tires before their tread wear indicators become visible. When a tire's tread wear indicator becomes visible, the tire is worn beyond the acceptable limit and must be replaced immediately. With a tire in this condition, driving at even low speeds in wet weather can cause the vehicle to hydroplane. Possible resulting loss of vehicle control can lead to an accident.

- To maximize the life of each tire and ensure that the tires wear uniformly, it is best to rotate the tires every 7,500 miles (12,500 km). Rotating the tires involves switching the front and rear tires on the right hand side of the vehicle and similarly switching the front and rear tires on the

left hand side of the vehicle. (Each tire must be kept on its original side of the vehicle.) Replace any damaged or unevenly worn tire at the time of rotation. After tire rotation, adjust the tire pressures and make sure the wheel nuts are correctly tightened. A tightening torque specification and a tightening sequence specification for the wheel nuts can be found “Flat tires” in Chapter 9.

### ■ Vehicle load limit – how to determine

The load capacity of your vehicle is determined by weight, not by available cargo space. The load limit of your vehicle is shown on the vehicle placard attached to the driver’s side B-pillar. Locate the statement “The combined weight of occupants and cargo should never exceed XXX kg or XXX lbs” on your vehicle’s placard.

The vehicle placard also shows seating capacity of your vehicle.

The total load capacity includes the total weight of driver and all passengers and their belongings, any cargo, any optional equipment such as a trailer hitch, roof rack or bike carrier, etc., and the tongue load of a trailer. Therefore cargo ca-

capacity can be calculated by the following method.

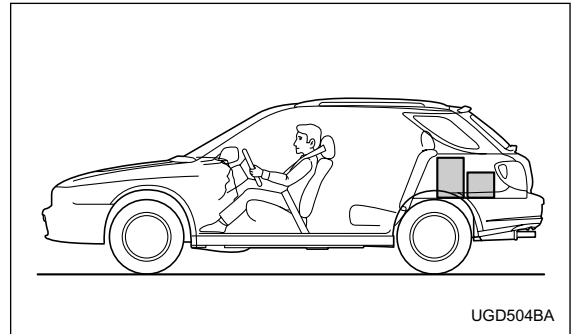
Cargo capacity = Load limit – (total weight of occupants + total weight of optional equipment + tongue load of a trailer (if applicable))

For towing capacity information and weight limits, refer to “Trailer towing” in Chapter 8.

### ▼ Calculating total and load capacities varying seating configurations

Calculate the available load capacity as shown in the following examples:

#### Example 1A



UGD504BA

– CONTINUED –

Vehicle capacity weight of the vehicle is 900 lbs (408 kg), which is indicated on the vehicle placard with the statement “The combined weight of occupants and cargo should never exceed 900 lbs or 408 kg”.

For example, if the vehicle has one occupant weighing 154 lbs (70 kg) plus cargo weighing 662 lbs (300 kg).

1. Calculate the total weight.

**Total weight**

$$\begin{aligned} &= \frac{154 \text{ lbs (70 kg)}}{\text{(Occupant)}} + \frac{662 \text{ lbs (300 kg)}}{\text{(Cargo)}} \\ &= \mathbf{816 \text{ lbs (370 kg)}} \end{aligned}$$

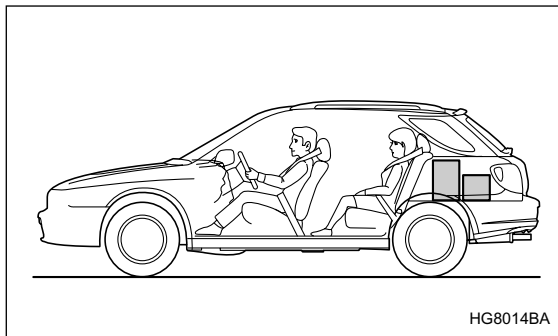
2. Calculate the available load capacity by subtracting the total weight from the vehicle capacity weight of 900 lbs (408 kg).

**Available Load Capacity**

$$\begin{aligned} &= \frac{900 \text{ lbs (408 kg)}}{\text{(Vehicle capacity weight)}} - \frac{816 \text{ lbs (370 kg)}}{\text{(Total weight)}} \\ &= \mathbf{84 \text{ lbs (38 kg)}} \end{aligned}$$

3. The result of step 2 shows that a further 84 lbs (38 kg) of cargo can be carried.

**Example 1B**



For example, if a person weighing 176 lbs (80 kg) now enters the same vehicle (bringing the

number of occupants to two), the calculations are as follows:

1. Calculate the total weight.

**Total weight**

$$= \frac{154 \text{ lbs (70 kg)} + 176 \text{ lbs (80 kg)}}{\text{(Occupant)}}$$

$$+ \frac{662 \text{ lbs (300 kg)}}{\text{(Cargo)}}$$

$$= \mathbf{992 \text{ lbs (450 kg)}}$$

2. Calculate the available load capacity.

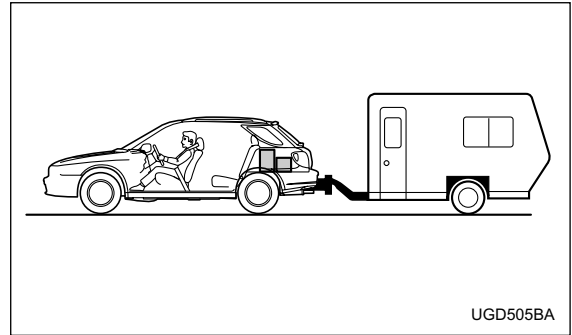
**Available Load Capacity**

$$= \frac{900 \text{ lbs (408 kg)}}{\text{(Vehicle capacity weight)}} - \frac{992 \text{ lbs (450 kg)}}{\text{(Total weight)}}$$

$$= \mathbf{-92 \text{ lbs (-42 kg)}}$$

3. The total weight now exceeds the capacity weight by 92 lbs (42 kg), so the cargo weight must be reduced by 92 lbs (42 kg) or more.

**Example 2A**



Vehicle capacity weight of the vehicle is 900 lbs (408 kg), which is indicated on the vehicle placard with the statement “The combined weight of occupants and cargo should never exceed 408 kg or 900 lbs”.

For example, the vehicle has one occupant weighing 165 lbs (75 kg) plus cargo weighing 375 lbs (170 kg). In addition, the vehicle is fitted with a trailer hitch weighing 22 lbs (10 kg), to which is attached a trailer weighing 1,764 lbs (800 kg). 10% of the trailer weight is applied to

– CONTINUED –



the trailer tongue (i.e. Tongue load = 176 lbs (80 kg)).

1. Calculate the total weight.

**Total weight**

$$= \frac{165 \text{ lbs (75 kg)}}{\text{(Occupant)}} + \frac{375 \text{ lbs (170 kg)}}{\text{(Cargo)}}$$

$$+ \frac{22 \text{ lbs (10 kg)}}{\text{(Trailer hitch)}} + \frac{176 \text{ lbs (80 kg)}}{\text{(Tongue load)}}$$

$$= \mathbf{738 \text{ lbs (335 kg)}}$$

2. Calculate the available load capacity.

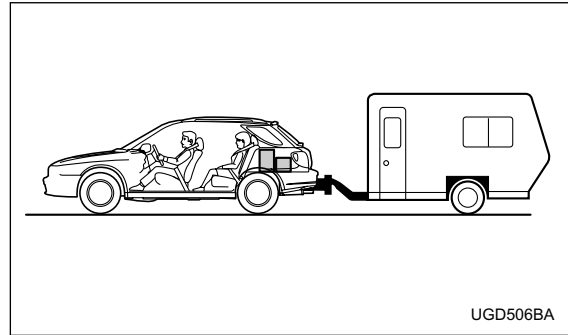
**Available Load Capacity**

$$= \frac{900 \text{ lbs (408 kg)}}{\text{(Vehicle capacity weight)}} - \frac{738 \text{ lbs (335 kg)}}{\text{(Total weight)}}$$

$$= \mathbf{162 \text{ lbs (73 kg)}}$$

3. The result of step 2 shows that a further 162 lbs (73 kg) of cargo can be carried.

**Example 2B**



For example, if a person weighing 143 lbs (65 kg) and a child weighing 40 lbs (18 kg) now enter the same vehicle (bringing the number of occupants to three), and a child restraint system weighing 11 lbs (5 kg) is installed in the vehicle for the child to use, the calculations are as follows:

1. Calculate the total weight.

**Total weight**

$$\begin{aligned}
 &= \frac{165 \text{ lbs (75 kg)} + 143 \text{ lbs (65 kg)} + 40 \text{ lbs (18 kg)}}{\text{(Occupant)}} \\
 &+ \frac{11 \text{ lbs (5 kg)}}{\text{(Child restraint)}} + \frac{375 \text{ lbs (170 kg)}}{\text{(Cargo)}} \\
 &+ \frac{22 \text{ lbs (10 kg)}}{\text{(Trailer hitch)}} + \frac{176 \text{ lbs (80 kg)}}{\text{(Tongue load)}} \\
 &= \mathbf{932 \text{ lbs (423 kg)}}
 \end{aligned}$$

2. Calculate the available load capacity.

**Available Load Capacity**

$$\begin{aligned}
 &= \frac{900 \text{ lbs (408 kg)}}{\text{(Vehicle capacity weight)}} - \frac{932 \text{ lbs (423 kg)}}{\text{(Total weight)}} \\
 &= \mathbf{-32 \text{ lbs (-15 kg)}}
 \end{aligned}$$

3. The total weight now exceeds the capacity weight by 32 lbs (15 kg), so the cargo weight must be reduced by 32 lbs (15 kg) or more.

**■ Determining compatibility of tire and vehicle load capacities**

The sum of four tires' maximum load ratings must exceed the maximum loaded vehicle weight ("GVWR"). In addition, sum of the maximum load ratings of two front tires and of two rear tires must exceed each axle's maximum loaded capacity ("GAWR"). Original equipment tires are designed to fulfill those conditions.

The maximum loaded vehicle weight is referred to Gross Vehicle Weight Rating (GVWR). And each axle's maximum loaded capacity is referred to Gross Axle Weight Rating (GAWR). The GVWR and each axle's GAWR are shown on the vehicle certification label affixed to the driver's door.

The GVWR and front and rear GAWRs are determined by not only the maximum load rating of tires but also loaded capacities of the vehicle's suspension, axles and other body parts.

Therefore, this means that the vehicle cannot necessarily be loaded up to the tire's maximum load rating on the tire sidewall.

– CONTINUED –

### ■ Adverse safety consequences of overloading on handling and stopping and on tires

Overloading could affect vehicle handling, stopping distance, vehicle and tire as shown below. This could lead to an accident and possibly result in severe personal injury.

- Vehicle stability will deteriorate.
- Heavy and/or high-mounted loads could increase the risk of rollover.
- Stopping distance will increase.
- Brakes could overheat and fail.
- Suspension, bearings, axles and other body parts could break or experience accelerated wear that will shorten vehicle life.
- Tires could fail.
- Tread separation could occur.
- Tire could separate from its rim.

### ■ Steps for Determining Correct Load Limit

1. Locate the statement “The combined weight of occupants and cargo should never exceed XXX pounds” on your vehicle’s placard.

2. Determine the combined weight of the driver and passengers that will be riding in your vehicle.

3. Subtract the combined weight of the driver and passengers from XXX kilograms or XXX pounds.

4. The resulting figure equals the available amount of cargo and luggage load capacity. For example, if the “XXX” amount equals 1,400 lbs (635 kg) and there will be five- 150 lbs (68 kg) passengers in your vehicle, the amount of available cargo and luggage load capacity is 650 lbs. (1,400 – 750 (5 x 150) = 650 lbs.)

5. Determine the combined weight of luggage and cargo being loaded on the vehicle. That weight may not safely exceed the available cargo and luggage load capacity calculated in Step 4.

6. If your vehicle will be towing a trailer, load from your trailer will be transferred to your vehicle. Consult this manual to determine how this reduces the available cargo and luggage load capacity of your vehicle.

## Uniform tire quality grading standards

This information indicates the relative performance of passenger car tires in the area of treadwear, traction, and temperature resistance. This is to aid the consumer in making an informed choice in the purchase of tires.

Quality grades can be found where applicable on the tire sidewall between tread shoulder and maximum section width. For example:

### Treadwear 200 Traction AA Temperature A

The quality grades apply to new pneumatic tires for use on passenger cars. However, they do not apply to deep tread, winter type snow tires, space-saver or temporary use spare tires, tires with nominal rim diameters of 12 inches or less, or to some limited production tires.

All passenger car tires must confirm to Federal Safety Requirements in addition to these grades.

### ■ Treadwear

The treadwear grade is a comparative rating

based on the wear rate of the tire when tested under controlled conditions on a specified government test course.

For example, a tire graded 150 would wear one and one-half (1-1/2) times as well on the government course as a tire graded 100. The relative performance of tires depends upon the actual conditions of their use, however, and may depart significantly from the norm due to variations in driving habits, service practices and differences in road characteristics and climate.

### ■ Traction AA, A, B, C

The traction grades, from highest to lowest, are AA, A, B and C. Those grades represent the tire's ability to stop on wet pavement as measured under controlled conditions on specified government test surfaces of asphalt and concrete. A tire marked C may have poor traction performance.

### WARNING

**The traction grade assigned to this tire is based on straight-ahead braking traction**

– CONTINUED –

tests, and does not include acceleration, cornering, hydroplaning, or peak traction characteristics.

---

### ■ Temperature A, B, C

The temperature grades are A (the highest), B, and C, representing the tire's resistance to the generation of heat and its ability to dissipate heat when tested under controlled conditions on a specified indoor laboratory test wheel. Sustained high temperature can cause the material of the tire to degenerate and reduce tire life, and excessive temperature can lead to sudden tire failure. The grade C corresponds to a level of performance which all passenger car tires must meet under the Federal Motor Vehicle Safety Standards No. 109. Grades B and A represent higher levels of performance on the laboratory test wheel than the minimum required by law.

---

 **WARNING**

**The temperature grade for this tire is established for a tire that is properly inflated**

**and not overloaded. Excessive speed, underinflation, or excessive loading, either separately or in combination, can cause heat buildup and possible tire failure.**

---

## **Reporting safety defects (USA)**

---

If you believe that your vehicle has a defect which could cause a crash or could cause injury or death, you should immediately inform the National Highway Traffic Safety Administration (NHTSA) in addition to notifying Subaru of America, Inc.

If NHTSA receives similar complaints, it may open an investigation, and if it finds that a safety defect exists in a group of vehicles, it may order a recall and remedy campaign. However, NHTSA cannot become involved in individual problems between you, your dealer, or Subaru of America, Inc. To contact NHTSA, you may either call the Auto Safety Hotline toll-free at 1-800-424-9393 (or 366-0123 in the Washington D.C. area) or write to: NHTSA, U.S. Department of Transportation, Washington, D.C. 20590. You can also obtain other information about motor vehicle safety from the Hotline.

---

---

---

---

---

---

---

---

---

---

---

---

---





**A**

ABS (Anti-lock Brake System) .....	7-31
Warning light .....	3-23, 7-32
Accessories .....	5-3, 11-68
Accessory power outlet .....	6-8, 6-11
Active head restraint .....	1-6
Air cleaner element .....	11-24
Air conditioner operation .....	4-9
Air filtration system .....	4-18
Air flow selection .....	4-2
All-wheel drive warning light (for AWD AT vehicles) .....	3-26
Aluminum wheels .....	11-54
Antenna system .....	5-2
Anti-lock Brake System (ABS) .....	7-31
Arming the system .....	2-17
Armrest .....	1-9
Ashtray .....	6-12
AT OIL TEMPerature warning light .....	3-22
Audio set .....	5-3
Auto-dimming mirror/compass .....	3-46
Automatic climate control system .....	4-11
Automatic transmission .....	7-22
Capacities .....	12-4
Fluid .....	11-32
Selector lever .....	7-23
Shift lock release .....	7-27

Temperature warning light .....	3-22
Automatic/Emergency Locking Retractor (A/ELR) .....	1-15

**B**

Battery .....	11-63
Jump starting .....	9-13
Replacement (Remote keyless entry system) .....	2-11
Brake	
Booster .....	11-42
Fluid .....	11-40
Pad and lining .....	11-45
Pedal .....	11-43
Brake pedal	
Free play .....	11-43
Reserve distance .....	11-43
Brake system .....	7-30
Warning light .....	3-24
Braking .....	7-30
Breaking-in of new brake pads and linings .....	11-45
Tips .....	7-30
Bulb	
Chart .....	12-10
Replacing .....	11-69

- 
- C**
- Capacities ..... 12-4
  - Cargo
    - Area cover ..... 6-14
    - Area light ..... 6-2, 11-81
    - Tie-down hooks ..... 6-17
  - Catalytic converter ..... 8-4
  - Center
    - Console ..... 6-6
    - Ventilators ..... 4-3
  - Changing
    - Flat tire ..... 9-5
    - Oil and oil filter ..... 11-12
  - Charge warning light ..... 3-22
  - CHECK ENGINE warning light/  
Malfunction indicator lamp ..... 3-21
  - Checking
    - Brake pedal free play ..... 11-43
    - Brake pedal reserve distance ..... 11-43
    - Clutch function ..... 11-44
    - Clutch pedal free play ..... 11-44
    - Engine oil level ..... 11-11
    - Fluid level ..... 11-32, 11-38, 11-40, 11-41
    - Gear oil level ..... 11-30, 11-35, 11-36
  - Child restraint systems ..... 1-32
    - Installation with A/ELR seatbelt ..... 1-36
    - Lower and tether anchorages ..... 1-43
  - Child safety ..... 7
    - Locks ..... 2-23
  - Chime
    - Key ..... 3-5
    - Seatbelt ..... 1-15, 3-20
  - Cigarette lighter socket ..... 6-9
  - Cleaning
    - Aluminum wheels ..... 10-3
    - Interior ..... 10-6
    - Ventilator grille ..... 4-17
  - Climate control system
    - Automatic ..... 4-11
    - Manual ..... 4-4
  - Clock ..... 3-29
  - Clutch fluid ..... 11-41
  - Clutch pedal ..... 11-44
  - Coat hook ..... 6-14
  - Coin tray ..... 6-6
  - Cooling system ..... 11-18
  - Corrosion protection ..... 8-14, 10-4
  - Cruise control ..... 7-38
    - Indicator light ..... 3-27
    - Set indicator light ..... 3-27
  - Cup holder ..... 6-7
- D**
- Daytime running light system ..... 3-32
-

Differential gear oil	
Front .....	11-35
Rear .....	11-36
Dimensions .....	12-2
Disarming the system .....	2-19
Disc brake pad wear warning indicators .....	7-31
Dome light .....	6-2, 11-81
Door locks .....	2-6
Door open warning light .....	3-26
Drive belts .....	11-29
Driver's control center differential .....	7-18
Auto indicator light .....	3-28
Indicator lights .....	3-28
Driving	
Drinking .....	9
Drugs .....	9
Foreign countries .....	8-6
Mobile phone .....	10
Pets .....	11
Snowy and icy roads .....	8-13
Tips .....	7-14, 7-17, 8-7
Tired or sleepy .....	10
<b>E</b>	
EBD (Electronic brake force distribution)	
system .....	7-34
Electrical system .....	12-3

Electronic Brake Force Distribution (EBD)	
system .....	7-34
Emergency Locking Retractor (ELR) .....	1-14
Engine	
Compartment overview .....	11-8
Coolant .....	11-19
Exhaust gas (Carbon monoxide) .....	8, 8-3
Hood .....	11-5
Oil .....	11-11
Overheating .....	9-16
Starting .....	7-9
Stopping .....	7-11
Exterior care .....	10-2

**F**

Flat tires .....	9-5
Floor mat .....	6-13
Fluid level	
Automatic transmission .....	11-32
Brake .....	11-40
Clutch .....	11-41
Power steering .....	11-38
Fog light button .....	3-36
Folding down the rear seat .....	1-12
Front	
Differential gear oil .....	11-35
Fog light .....	11-78

Seatbelt pretensioners .....	1-28	Horn .....	3-51
Seats .....	1-2	Hose and connections .....	11-19
Turn signal light .....	11-73	<b>I</b>	
Fuel .....	7-2	Ignition switch .....	3-3
Economy hints .....	8-2	Illuminated entry .....	2-11
Filler lid and cap .....	7-4	Illumination brightness control .....	3-33
Gauge .....	3-10, 3-17	Immobilizer .....	2-3
Requirements .....	7-2	Indicator light	
Fuses .....	11-65	High beam .....	3-27
Fuses and circuits .....	12-7	Selector lever position .....	3-27
<b>G</b>		Turn signal .....	3-27
GAWR (Gross Axle Weight Rating) .....	8-19	Inside mirror .....	3-45
Glove box .....	6-5	Intercooler water spray .....	11-55
GVWR (Gross Vehicle Weight Rating) .....	8-19	Switch .....	3-44
<b>H</b>		Warning light .....	3-26
Hazard warning flasher .....	3-7	Interior light .....	6-2
Head restraint adjustment (Front) .....	1-5	Internal trunk lid release handle .....	2-28
Headlight beam leveler .....	3-34	<b>J</b>	
Headlight flasher .....	3-31	Jack and jack handle .....	9-24
Headlight indicator light .....	3-28	Jump starting .....	9-13
Headlights .....	3-30, 11-70	<b>K</b>	
Headrest adjustment (Wagon) .....	1-11	Key	
Heater operation .....	4-6	Interlock release .....	3-6
High beam indicator light .....	3-27		
High mount stop light .....	11-83		

Number .....	2-3
Reminder chime .....	3-5
Keys .....	2-2

**L**

Leather seat materials .....	10-6
Light	
Cargo area .....	6-2, 11-81
Dome .....	6-2, 11-81
Map .....	6-3, 11-81
Light control switch .....	3-30
Limited slip differential (LSD) .....	7-28
Loading your vehicle .....	8-17
LSD (Limited slip differential) .....	7-28

**M**

Main fuse .....	11-68
Maintenance	
Precautions .....	11-3
Schedule .....	11-3
Seatbelt .....	1-27
Tools .....	9-24
Malfunction indicator lamp (Check Engine light) .....	3-21
Manual climate control system .....	4-4
Manual transmission	
5 speeds .....	7-15

6 speeds .....	7-12
Map light .....	6-3, 11-81
Maximum load limits .....	8-29
Meters and gauges .....	3-7, 3-15
Mirrors .....	3-45
Moonroof .....	2-33, 9-23

**N**

New vehicle break-in driving – the first 1,000 miles (1,600 km) .....	8-2
--	-----

**O**

Odometer/Trip meter .....	3-8, 3-15
Off road driving .....	8-8
Oil filter .....	11-12
Oil level	
Engine .....	11-11
Front differential (AT vehicles) .....	11-35
Manual transmission .....	11-30
Rear differential .....	11-36
Oil pressure warning light .....	3-22
Outside mirrors .....	3-48
Outside temperature indicator .....	3-12, 3-19
Overheating engine .....	9-16

- 
- P**
- Parking
    - Brake ..... 7-36
    - Brake stroke ..... 11-46
    - Light switch ..... 3-35
    - Tips ..... 7-36
  - Periodic inspections ..... 8-6
  - Power
    - Door locking switches ..... 2-8
    - Steering ..... 7-29
    - Steering fluid ..... 11-38
    - Windows ..... 2-24
  - Preparing to drive ..... 7-9
  - Printed antenna ..... 5-2
- R**
- Rear
    - Combination lights ..... 11-78
    - Differential gear oil ..... 11-36
    - Differential oil temperature warning light ..... 3-23
    - Gate ..... 2-31
    - Seats ..... 1-8
  - Rear seat
    - Folding down (Wagon) ..... 1-12
  - Rear window
    - Defogger button ..... 3-41
    - Wiper and washer switch ..... 3-40
  - Recommended
    - Automatic transmission fluid ..... 11-34
    - Brake fluid ..... 11-40
    - Clutch fluid ..... 11-42
    - Oil grade and viscosity ..... 11-16, 11-18, 11-31, 11-35, 11-37
    - Power steering fluid ..... 11-39
    - Spark plugs ..... 11-28
  - Remote keyless entry system ..... 2-9
  - Replacement
    - Brake pad and lining ..... 11-45
    - Wiper blades ..... 11-57
  - Replacing
    - Air cleaner element ..... 11-24
    - Battery (Remote keyless entry system) ..... 2-11
    - Lost transmitters (keyless entry system) ..... 2-13
  - Replacing bulbs ..... 11-69
    - Cargo area light ..... 11-81
    - Dome light ..... 11-81
    - Front fog light ..... 11-78
    - Front turn signal light ..... 11-73
    - Headlights ..... 11-70
    - High mount stop light ..... 11-83
    - License plate light ..... 11-81
    - Map light ..... 11-81
    - Parking light ..... 11-74
    - Rear combination lights ..... 11-78
-

Trunk light .....	11-82
REV indicator light and buzzer .....	3-13
Rocking the vehicle .....	8-16
Roof rail and crossbar .....	8-20

**S**

Seat	
Fabric .....	10-6
Heater .....	1-7
Seatbelt .....	6
Maintenance .....	1-27
Pretensioners .....	1-28
Safety tips .....	1-13
Warning light and chime .....	1-15, 3-20
Seatbelts .....	1-13
Security system .....	2-17
Selector lever .....	7-23
Position indicator .....	3-27
Shift lock release .....	7-27
Side ventilators .....	4-3
Snow tires .....	8-14
Sounding a panic alarm .....	2-11
Spark plugs .....	11-28
Specifications .....	12-2
Speedometer .....	3-8, 3-15
SRS airbag (Supplemental Restraint System airbag) .....	6, 1-53

SRS airbag system monitors .....	1-73
SRS airbag system servicing .....	1-74
SRS airbag system warning light .....	3-20
SRS frontal airbag .....	1-57
SRS side airbag .....	1-65
Starting the engine .....	7-9
State emission testing (U.S. only) .....	7-7
Stopping the engine .....	7-11
Storage compartments .....	6-5
Sun shades .....	2-35
Sun visors .....	6-4
Supplemental Restraint System airbag (SRS) .....	1-53
Synthetic leather upholstery .....	10-6

**T**

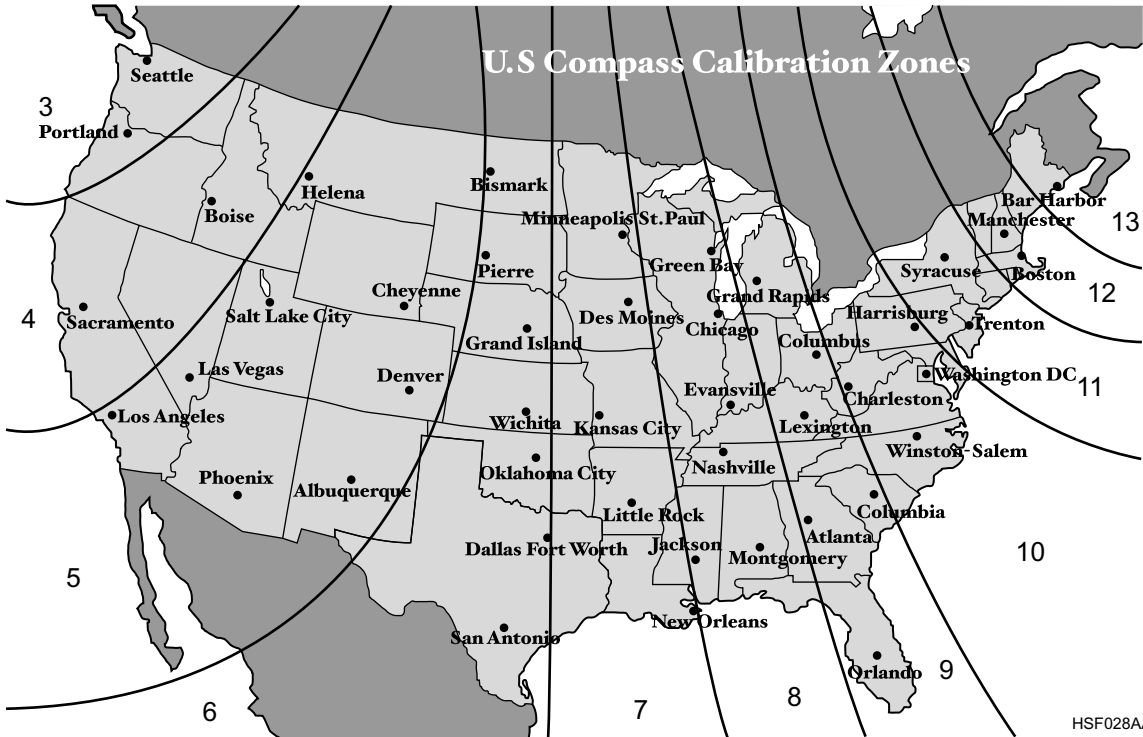
Tachometer .....	3-9, 3-16
Temperature gauge .....	3-11, 3-18
Temporary spare tire .....	9-3
Tilt steering wheel .....	3-50
Tire	
Chains .....	8-16
Inspection .....	11-47
Pressures and wear .....	11-48
Replacement .....	11-53
Rotation .....	11-52
Tires .....	12-5

Types .....	11-47	Symbols .....	4
Tires and wheels .....	11-47	Ventilator .....	4-2
Top tether anchorages .....	1-47		
Towing .....	9-17	<b>W</b>	
All wheels on the ground .....	9-21	Warning and indicator lights .....	3-20
Flat-bed truck .....	9-20	Warning lights	
Trailer		ABS .....	3-23
Hitch .....	8-25	All-wheel drive .....	3-26
Hitches .....	8-34	Anti-lock Brake system .....	3-23
Towing .....	8-29	AT OIL TEMPerature .....	3-22
Towing tips .....	8-37	Brake system .....	3-24
Trunk lid .....	2-27	Charge .....	3-22
Release handle .....	2-28	CHECK ENGINE .....	3-21
Trunk light .....	11-82	Door open .....	3-26
Turn signal		Oil pressure .....	3-22
Indicator lights .....	3-27	R.Diff TEMPerature .....	3-23
Lever .....	3-32	Seatbelt .....	1-15, 3-20
		SRS airbag system .....	3-20
<b>U</b>		Warranties and maintenance .....	8-29
Under-floor storage compartment .....	6-18	Washing .....	10-2
		Waxing and polishing .....	10-3
<b>V</b>		Wear indicators .....	11-51
Valet mode .....	2-20	Wheel	
Vanity mirror .....	6-4	Alignment .....	12-6
Vehicle		Balance .....	11-51
Capacity weight .....	8-19	Replacement .....	11-53
Identification .....	12-11	Windows .....	2-24



Windshield	
Windshield washer fluid .....	11-56
Wiper and washer switches .....	3-38
Wiper deicer .....	3-43
Winter driving .....	8-11
Wiper and washer .....	3-36

# U.S. Compass Calibration Zones



## GAS STATION REFERENCE

### Fuel:

#### ▼ 2.5-liter non-turbo models

Use only unleaded gasoline with an octane rating of 87 AKI or higher.

#### ▼ 2.0-liter turbo models

Use premium unleaded gasoline with an octane rating of 91 AKI or higher. If premium unleaded gasoline is not available, regular unleaded gasoline with octane rating of 87 AKI or higher may be temporarily used. For optimum engine performance and driveability, it is required that you use premium grade unleaded gasoline.

#### ▼ 2.5-liter turbo models

Use premium unleaded gasoline with an octane rating of 93 AKI or higher. If premium unleaded gasoline with an octane rating of 93 AKI is not available, premium unleaded gasoline with octane rating of 91 AKI or higher may be temporarily used. For optimum engine performance and driveability,

it is required that you use premium grade unleaded gasoline with an octane rating of 93 AKI or higher.

#### ■ Fuel octane rating

This octane rating is the average of the Research Octane and Motor Octane numbers and is commonly referred to as the Anti Knock Index (AKI). Refer to “Fuel” section in this manual.

#### Fuel capacity:

15.9 US gal (60 liters, 13.2 Imp gal)

#### Engine oil:

Use only API classification SL with the words “ENERGY CONSERVING” and the New API certification mark (starburst mark) displayed on the container.

#### Engine oil capacity:

4.2 US qt (4.0 liters, 3.5 Imp qt)

### Cold tire pressure:

Item		RS, RS sport package, WRX	WRX (option tire) <sup>*1</sup>	WRX-STi
Tire size		P205/55R16 89V	215/45R17 87W	225/45R17 90W
Wheel size		16 × 6 <sup>1</sup> / <sub>2</sub> JJ	17 × 7 JJ	17 × 8 JJ
Pressure	Front	32 psi (220 kPa, 2.2 kgf/cm <sup>2</sup> )	33 psi (230 kPa, 2.3 kgf/cm <sup>2</sup> )	36 psi (250 kPa, 2.5 kgf/cm <sup>2</sup> )
	Rear	29 psi (200 kPa, 2.0 kgf/cm <sup>2</sup> )	32 psi (220 kPa, 2.2 kgf/cm <sup>2</sup> )	30 psi (210 kPa, 2.1 kgf/cm <sup>2</sup> )
Temporary spare tire	Size	T135/70 D16		T135/70 D17
	Pressure	60 psi (420 kPa, 4.2 kgf/cm <sup>2</sup> )		

\*1: The recommended cold tire pressure for the 215/45R17 87W tire is not indicated on the vehicle placard attached to the driver's side B-pillar since this tire is a dealer option for the WRX. If your vehicle is equipped with 215/45R17 87W tires, be sure to adjust them to the air pressure shown on this page.