

---

This owner's manual should be considered a permanent part of the vehicle and should remain with the vehicle when it is sold.

This owner's manual covers all versions. Therefore, you may find descriptions of equipment and features that are not on your particular vehicle.

The information and specifications included in this publication were in effect at the time of approval for printing. Honda Motor Co., Ltd. reserves the right, however, to discontinue or change specifications or design at any time without notice and without incurring any obligation whatsoever.

Although this manual is applicable to both right-hand and left-hand drive models, the illustrations contained in this manual mainly refer to the left-hand drive models.

This illustrations of vehicles with diesel engine are noted by Diesel model.

Congratulations! Your selection was a wise investment. It will give you years of driving pleasure.

One of the best ways to enhance the enjoyment of your new vehicle is to read this manual. In it, you will learn how to operate its driving controls and convenience items. Afterwards, keep this owner's manual in your vehicle so you can refer to it at any time.

Several other booklets explain the warranties that protect your new vehicle. Read the Service Book/warranty booklet thoroughly so you understand the coverages and are aware of your rights and responsibilities.

Maintaining your vehicle according to the schedules given in this manual or the separate service information booklet helps to keep your driving trouble-free while it preserves your investment. When your vehicle needs maintenance, keep in mind that your dealer's staff is specially trained in servicing the many systems unique to your vehicle. Your dealer is dedicated to your satisfaction and will be pleased to answer any questions and concerns.

Best wishes and happy motoring.

Symbols   on labels attached to your vehicle are to remind you to read this owner's manual for proper and safe operation of your vehicle.

As you read this manual, you will find information that is preceded by a **NOTICE** symbol. This information is intended to help you avoid damage to your vehicle, other property, or the environment.

(On German type)

1. Mounting the front licence plate:  
Mount the front licence plate to the provided holder taking care that the upper edge of the licence plate does not project above the upper surface of the bumper.
2. Mounting the rear licence plate:  
Mount the rear licence plate to the back of the vehicle so that its lower edge is flush with the lower end of the surface provided for mounting.

# A Few Words About Safety


---

Your safety, and the safety of others, is very important. And operating this vehicle safely is an important responsibility.

To help you make informed decisions about safety, we have provided operating procedures and other information on labels and in this manual. This information alerts you to potential hazards that could hurt you or others.

Of course, it is not practical or possible to warn you about all the hazards associated with operating or maintaining your vehicle. You must use your own good judgement.

You will find this important safety information in a variety of forms, including:

- **Safety Labels** — on the vehicle.
- **Safety Messages** — preceded by a safety alert symbol  and one of three signal words: **DANGER**, **WARNING**, or **CAUTION**. These signal words mean:

 **DANGER**

**You WILL be KILLED or SERIOUSLY HURT if you don't follow instructions.**

 **WARNING**

**You CAN be KILLED or SERIOUSLY HURT if you don't follow instructions.**

 **CAUTION**

**You CAN be HURT if you don't follow instructions.**

- **Safety Headings** — such as Important Safety Reminders or Important Safety Precautions.
- **Safety Section** — such as Driver and Passenger Safety.
- **Instructions** — how to use this vehicle correctly and safely.

This entire book is filled with important safety information — please read it carefully.

Your vehicle has higher ground clearance than a passenger vehicle designed for use only on paved roads. Higher ground clearance has many advantages for off-road driving. It allows you to travel over bumps, obstacles, and rough terrain. It also provides good visibility so you can anticipate problems earlier.

These advantages come at some cost. Because your vehicle is taller and rides higher off the ground, it has a high centre of gravity. This means your vehicle can tip or roll over if you make abrupt turns. Utility vehicles have a significantly higher rollover rate than other types of vehicles. In a rollover crash, an unbelted person is significantly more likely to die than a person wearing a seat belt. As a reminder, make sure you and your passengers always wear seat belts.

For information on how to reduce the risk of rollover, read “Driving Guidelines” on page 350 of this manual and the *Off-road Guidelines* section on page 393. Failure to operate this vehicle correctly might result in loss of control or an accident.

In many countries, the law prohibits off-road driving, e.g. driving in forests, trailblazing, etc. Please check your local laws and regulations before commencing any off-road driving activity.



Turn to the beginning of each section for a complete list of subjects.

**Your Vehicle at a Glance..... 2**

**Driver and Passenger Safety..... 9**

Important information about the proper use and care of your vehicle's seat belts, an overview of the supplemental restraint system, and valuable information on how to protect children with child restraints.

**Instruments and Controls ..... 75**

Explains the purpose of each instrument panel indicator, message and symbol on the multi-information display and gauge, and how to use the controls on the dashboard and steering column.

**Features..... 227**

How to operate the heating and air conditioning system/climate control system, the audio system, and other convenience features.

**Before Driving ..... 331**

What fuel to use, how to break-in your new vehicle, and how to load luggage and other cargo.

**Driving..... 349**

The proper way to start the engine, shift the transmission, and park; plus what you need to know if you're planning to tow a trailer.

**Maintenance ..... 397**

The maintenance schedule shows you when you need to take your vehicle to the dealer. There is also a list of things to check and instructions on how to check them.

**Appearance Care ..... 463**

Tips on cleaning and protecting your vehicle.

**Taking Care of the Unexpected ..... 471**

This section covers several problems motorists sometimes experience, and details how to handle them.

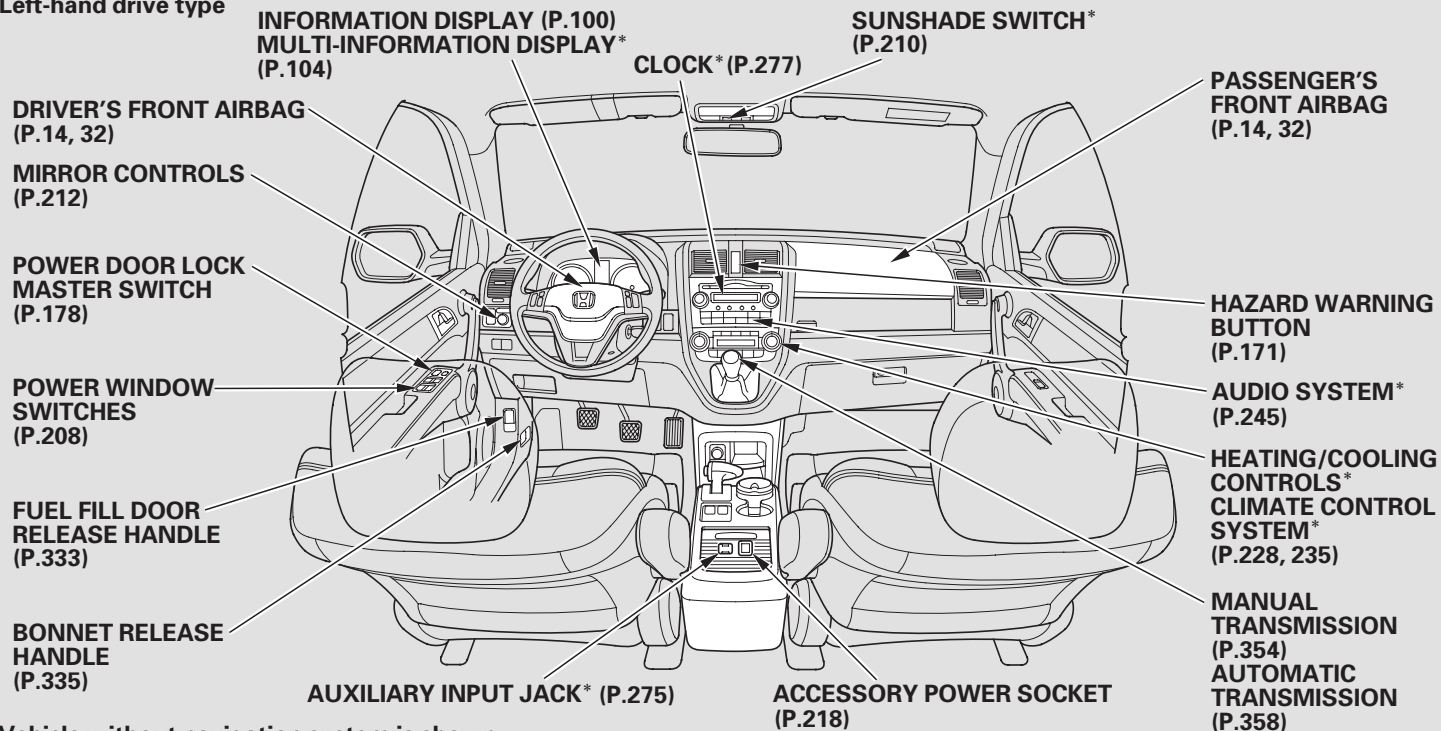
**Technical Information..... 523**

ID numbers, dimensions, capacities, and technical information.

**Index ..... 537**

# Your Vehicle at a Glance

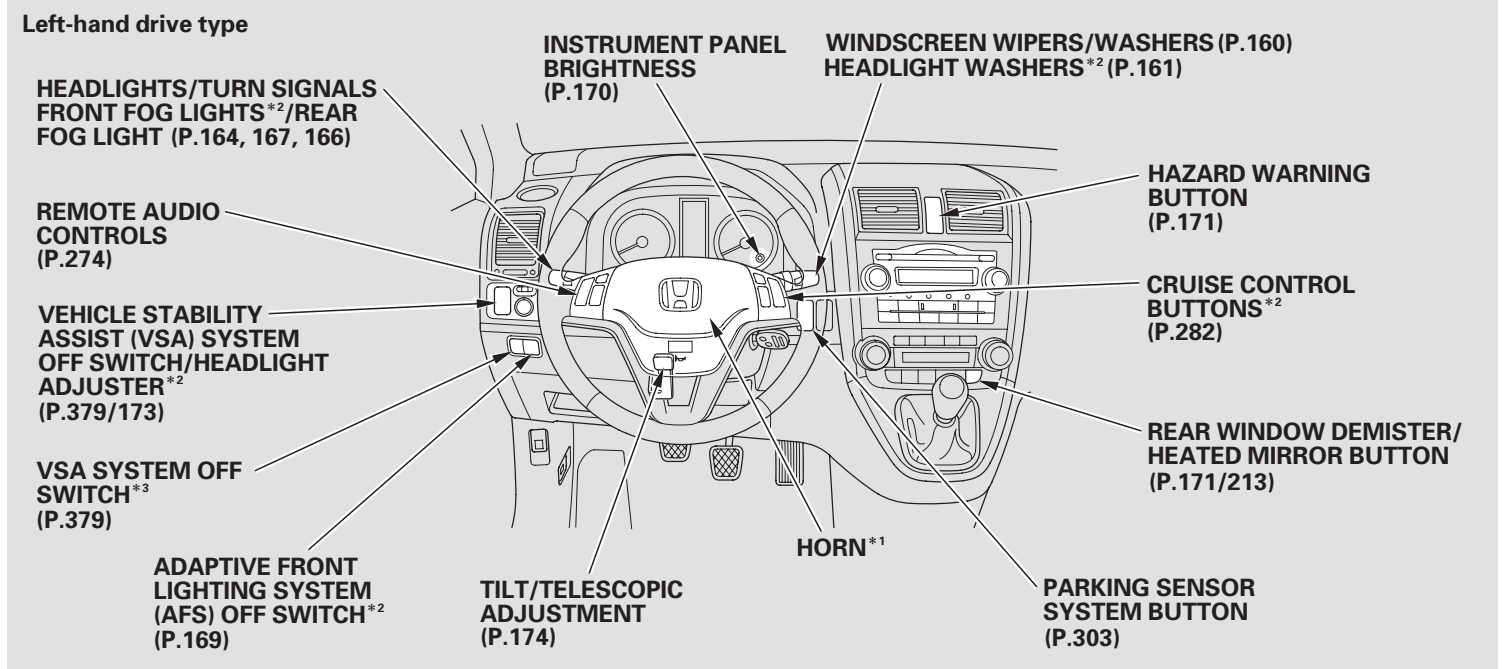
Left-hand drive type



Vehicle without navigation system is shown.

\* : If equipped

## On vehicles without navigation system



\* 1 : To use the horn, press the centre pad of the steering wheel.

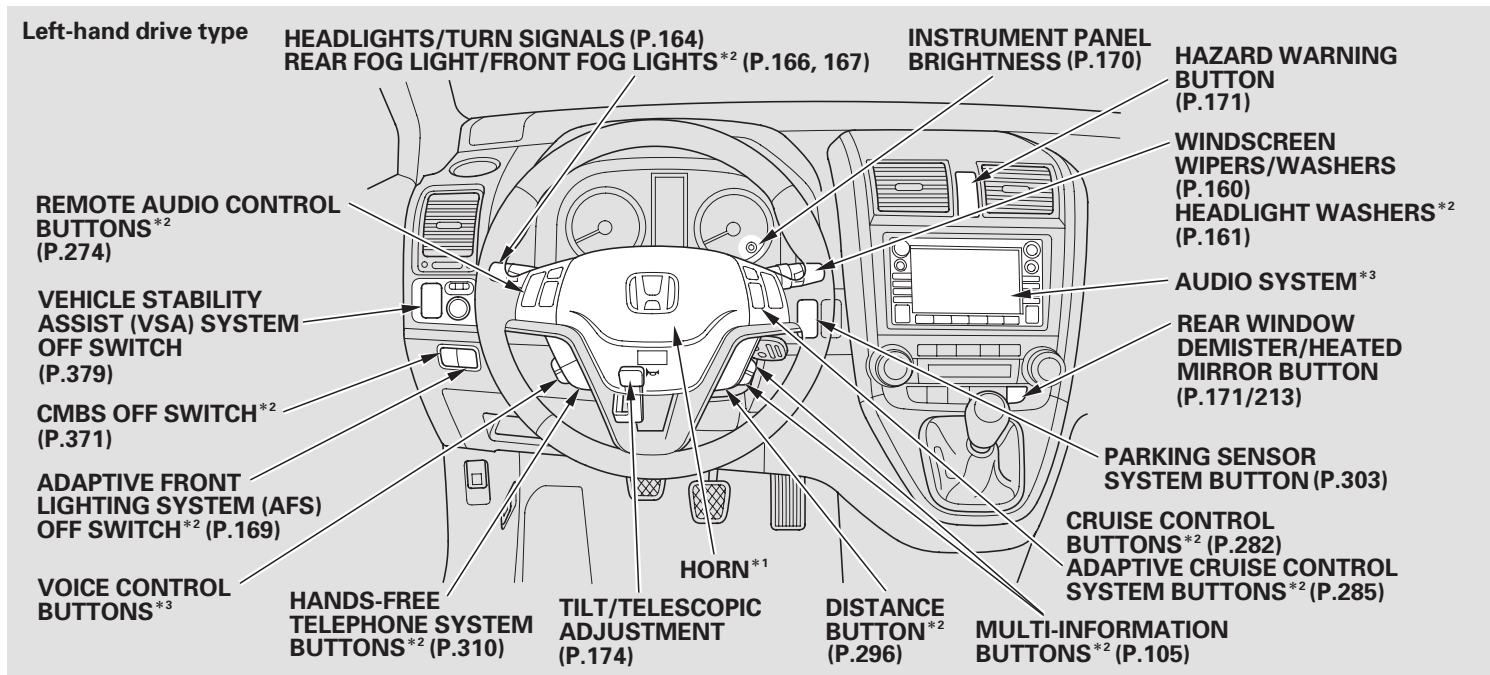
\* 2 : If equipped

\* 3 : On vehicles with headlight adjuster



# Your Vehicle at a Glance

## On vehicles with navigation system



\* 1 : To use the horn, press the centre pad of the steering wheel.

\* 2 : If equipped

\* 3 : Refer to the navigation system manual.

Right-hand drive type

HAZARD WARNING  
BUTTON  
(P.171)

PASSENGER'S  
FRONT AIRBAG  
(P.14, 32)

CLOCK\*  
(P.277)

AUDIO SYSTEM\*  
(P.245)

HEATING/COOLING  
CONTROLS\*  
CLIMATE CONTROL  
SYSTEM\*  
(P.228, 235)

MANUAL TRANSMISSION  
(P.354)  
AUTOMATIC  
TRANSMISSION  
(P.358)

AUXILIARY INPUT JACK\* (P.275)

Vehicle without navigation system is shown.

SUNSHADE SWITCH\*  
(P.210)

INFORMATION DISPLAY (P.100)  
MULTI-INFORMATION DISPLAY\*  
(P.104)

MIRROR CONTROLS  
(P.212)

POWER DOOR LOCK  
MASTER SWITCH  
(P.178)

POWER WINDOW  
SWITCHES  
(P.208)

FUEL FILL DOOR  
RELEASE HANDLE  
(P.333)

BONNET RELEASE  
HANDLE  
(P.335)

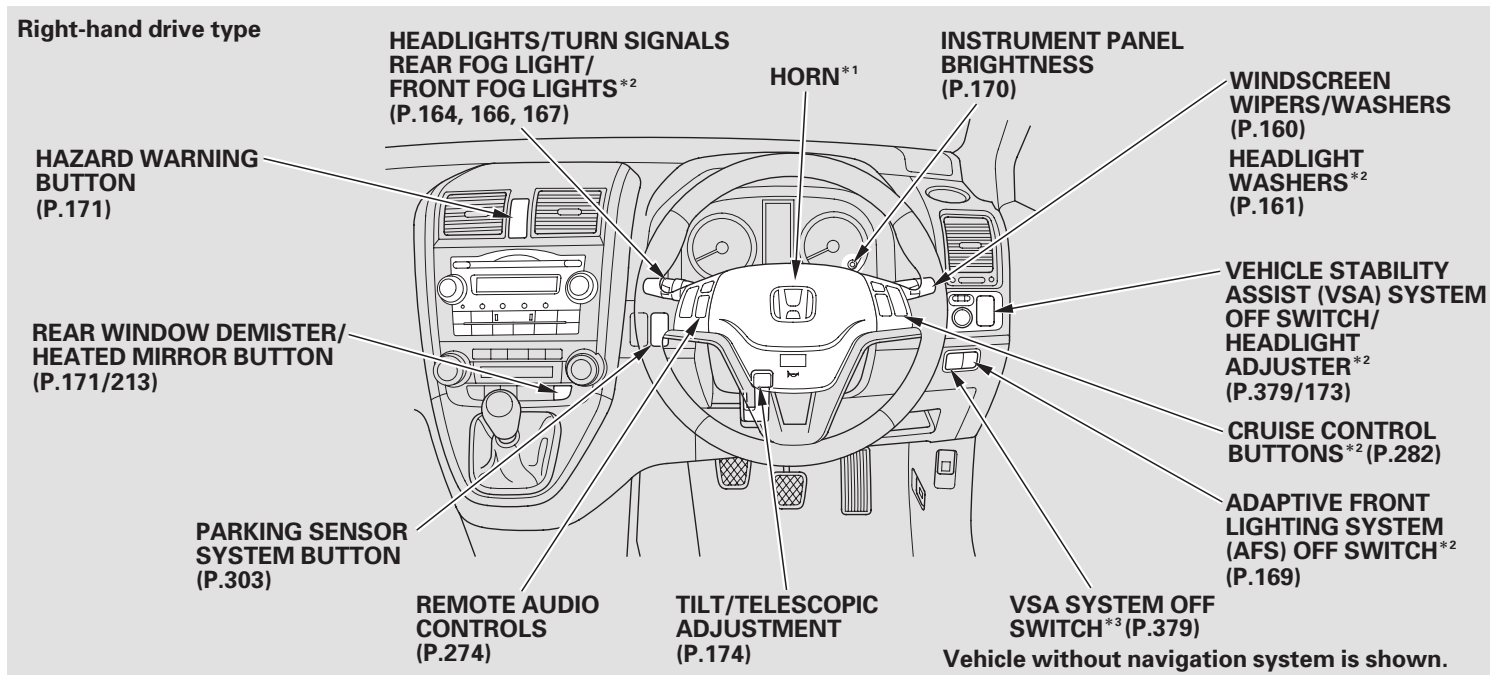
ACCESSORY POWER  
SOCKET (P.218)

DRIVER'S FRONT AIRBAG  
(P.14, 32)

\* : If equipped

# Your Vehicle at a Glance

## On vehicles without navigation system

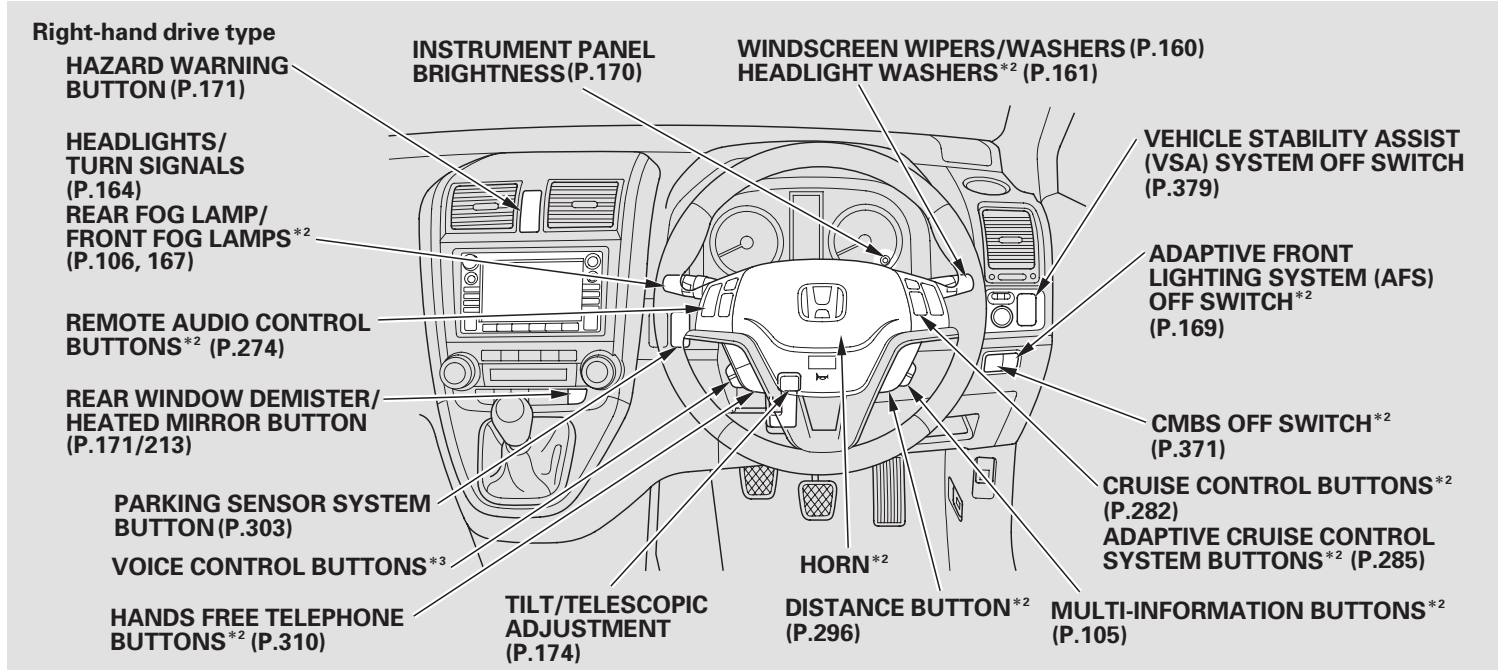


\* 1 : To use the horn, press the centre pad of the steering wheel.

\* 2 : If equipped

\* 3 : On vehicles with headlight adjuster

## On vehicles with navigation system



\* 1 : To use the horn, press the centre pad of the steering wheel.

\* 2 : If equipped

\* 3 : Refer to the navigation system manual.



This section gives you important information about how to protect yourself and your passengers. It shows you how to use seat belts. It explains how your airbags work. And it tells you how to properly restrain infants and children in your vehicle.

Important Safety Precautions .....	10
Your Vehicle's Safety Features.....	11
Seat Belts .....	12
Airbags.....	14
Protecting Adults and Teens.....	16
1. Close the Doors .....	16
2. Adjust the Front Seats .....	17
3. Adjust the Seat-Backs .....	18
4. Adjust the Head Restraints ....	18
5. Fasten and Position the Seat Belts .....	19
6. Maintain a Proper Sitting Position .....	21
Advice for Pregnant Women.....	22
Additional Safety Precautions....	22
Additional Information About Your	
Seat Belts .....	24
Seat Belt System Components...	24

Lap/Shoulder Belt.....	25
Automatic Seat Belt Tensioners.....	27
Seat Belt e-pretensioners.....	28
Seat Belt Maintenance .....	29
Additional Information About	
Your Airbags .....	31
Airbag System Components.....	31
How Your Front Airbags Work.....	32
How Your Side Airbags Work....	34
How Your Side Curtain Airbags Work.....	34
How the SRS Indicator Works...	35
Airbag Service.....	37
Additional Safety Precautions....	37
Protecting Children – General Guidelines.....	39
All Children Must Be Restrained .....	39
All Children Should Sit in a Back Seat.....	40
The Passenger's Front Airbag Poses Serious Risks.....	40
The Side Airbag Poses Serious Risks.....	43

If You Must Drive with Several Children .....	44
If a Child Requires Close Attention .....	44
Additional Safety Precautions....	44
Protecting Infants and Small Children .....	46
Protecting Infants.....	46
Protecting Small Children .....	48
Selecting a Child Restraint System.....	49
Installing a Child Restraint System.....	51
Child Restraint System for EU Countries .....	52
With the Lower Anchorages .....	54
With a Lap/Shoulder Belt .....	59
With a Tether .....	64
Protecting Larger Children .....	67
Checking Seat Belt Fit .....	68
Using a Booster Seat.....	68
When Can a Larger Child Sit in Front.....	70
Additional Safety Precautions....	71
Carbon Monoxide Hazard .....	72
Safety Labels .....	73

# Important Safety Precautions

---

You'll find many safety recommendations throughout this section, and throughout this manual. The recommendations on this page are the ones we consider to be the most important.

## **Always Wear Your Seat Belt**

A seat belt is your best protection in all types of collisions. Airbags are designed to supplement seat belts, not replace them. So even though your vehicle is equipped with airbags, make sure you and your passengers always wear your seat belts, and wear them properly (see page 19).

## **Restrain All Children**

Children age 12 and under should ride properly restrained in a back seat, not the front seat. Infants and small children should be restrained in a child restraint system. Larger children should use a booster seat and a lap/shoulder belt until they can use the belt properly without a

booster seat (see pages 39 – 71).

## **Be Aware of Airbag Hazards**

While airbags can save lives, they can cause serious or fatal injuries to occupants who sit too close to them, or are not properly restrained. Infants, young children, and short adults are at the greatest risk. Be sure to follow all instructions and warnings in this manual.

## **Don't Drink and Drive**

Alcohol and driving don't mix. Even one drink can reduce your ability to respond to changing conditions, and your reaction time gets worse with every additional drink. So don't drink and drive, and don't let your friends drink and drive, either.

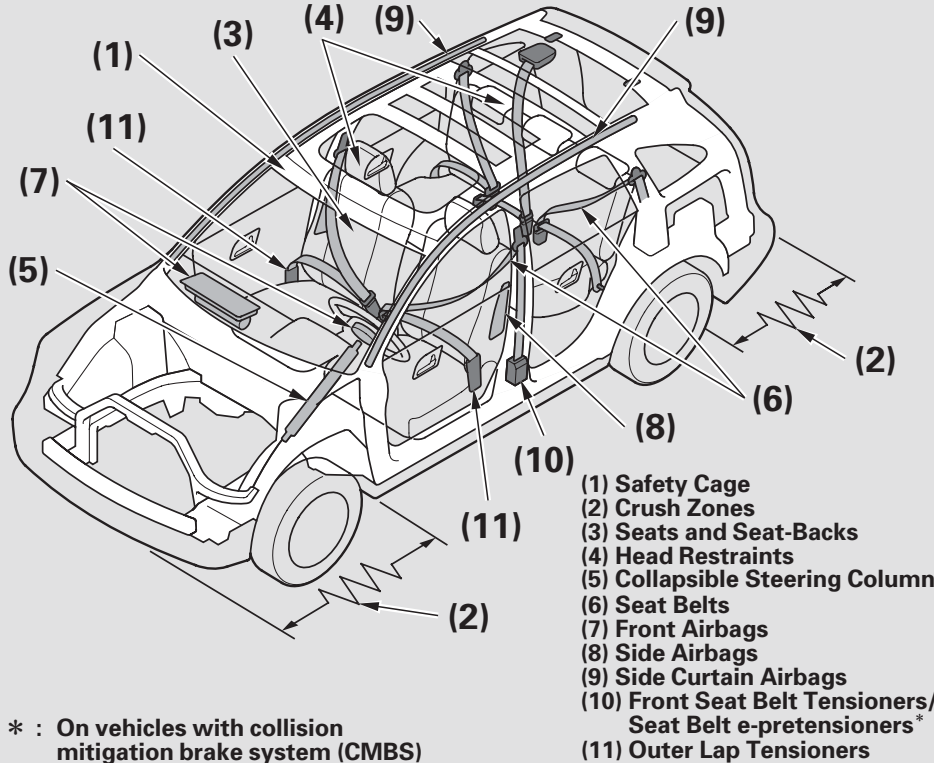
## **Control Your Speed**

Excessive speed is a major factor in crash injuries and deaths. Generally, the higher the speed, the greater the risk, but serious injuries can also occur at lower speeds. Never drive faster than is safe for current conditions, regardless of the maximum speed posted.

## **Keep Your Vehicle in Safe Condition**

Having a tyre blowout or a mechanical failure can be extremely hazardous. To reduce the possibility of such problems, check your tyre pressures and condition frequently, and perform all regularly scheduled maintenance (see page 399, and for EU countries, see the Service Book/separate service information booklet that came with your vehicle).

# Your Vehicle's Safety Features



Your vehicle is equipped with many features that work together to protect you and your passengers during a crash.

Some features do not require any action on your part. These include a strong steel framework that forms a safety cage around the passenger compartment, front and rear crush zones, a collapsible steering column, and tensioners that tighten the front seat belts in a crash.

However, you and your passengers can't take full advantage of these features unless you remain sitting in a proper position and ***always wear your seat belts***. In fact, some safety features can contribute to injuries if they are not used properly.

The following pages explain how you can take an active role in protecting yourself and your passengers.



# Your Vehicle's Safety Features

---

## Seat Belts

Your vehicle is equipped with seat belts in all seating positions.

Your seat belt system also includes an indicator on the instrument panel and a beeper to remind you and your passengers to fasten your seat belts.

### *Why Wear Seat Belts*

Seat belts are the single most effective safety device for adults and larger children. (Infants and smaller children must be properly restrained in child restraint systems.)

Not wearing a seat belt properly increases the chance of serious injury or death in a crash, even though your vehicle has airbags.

In most European Countries there is a law covering the use of seat belts. Please take time to familiarize yourself with the legal requirements of the countries in which you will drive.

### **⚠ WARNING**

**Not wearing a seat belt properly increases the chance of serious injury or death in a crash, even though your vehicle has airbags.**

**Be sure you and your passengers always wear seat belts and wear them properly.**

When properly worn, seat belts:

- Keep you connected to the vehicle so you can take advantage of the vehicle's built-in safety features.
- Help protect you in almost every type of crash, including frontal, side, and rear impacts and rollovers.
- Help keep you from being thrown against the inside of the vehicle and against other occupants.
- Keep you from being thrown out of the vehicle.
- Help keep you in a good position should the airbags ever deploy. A good position reduces the risk of injury from an inflating airbag and allows you to get the best advantage from the airbag.

Of course, seat belts cannot completely protect you in every crash. But in most cases, seat belts can reduce your risk of serious injury.

***What You Should Do:***

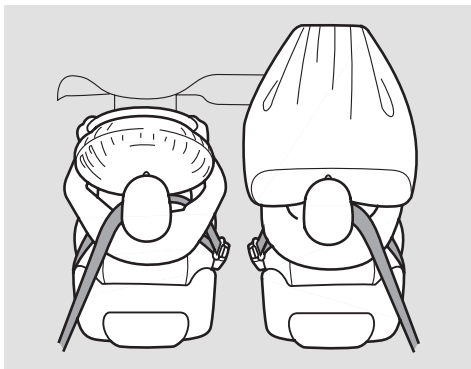
Always wear your seat belt, and make sure you wear it properly.

**WARNING:**

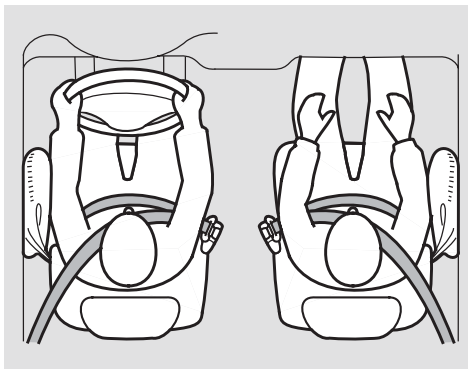
- *Seat belts are designed to bear upon the bony structure of the body, and should be worn low across the front of the pelvis or the pelvis, chest and shoulders, as applicable; wearing the lap section of the belt across the abdominal area must be avoided.*
- *Seat belts should be adjusted as firmly as possible, consistent with comfort, to provide the protection for which they have been designed. A slack belt will greatly reduce the protection afforded to the wearer.*
- *Belts should not be worn with straps twisted.*
- *Each belt assembly must only be used by one occupant; it is dangerous to put a belt around a child being carried on the occupant's lap.*

# Your Vehicle's Safety Features

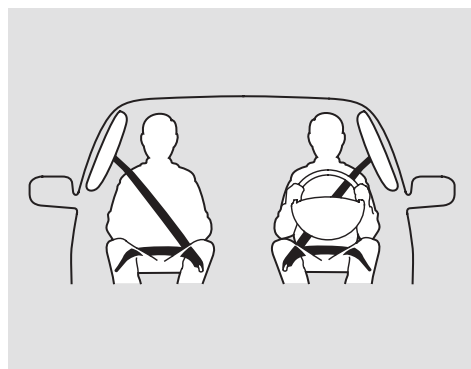
## Airbags



Your vehicle has a supplemental restraint system (SRS) with front airbags to help protect the heads and chests of the driver and a front seat passenger during a moderate to severe frontal collision (see page 32 for more information on how your front airbags work).



Your vehicle also has side airbags to help protect the upper torso of the driver or a front seat passenger during a moderate to severe side impact (see page 34 for more information on how your side airbags work).



In addition, your vehicle has side curtain airbags to help protect the heads of the driver, front passenger, and passengers in the outer rear seating positions during a moderate to severe side impact or rollover (see page 34 for more information on how your side curtain airbags work).

The most important things you need to know about your airbags are:

- ***Airbags do not replace seat belts.*** They are designed to supplement the seat belts.
- ***Airbags offer no protection in rear impacts, or minor frontal or side collisions.***
- ***Airbags can pose serious hazards.*** To do their job, airbags must inflate with tremendous force. So while airbags help save lives, they can cause minor injuries or more serious or even fatal injuries if occupants are not properly restrained or sitting properly.

***What you should do:*** Always wear your seat belt properly, and sit upright and as far back from the steering wheel as possible while allowing full control of the vehicle. A front passenger should move their seat as far back from the dashboard as possible.

The rest of this section gives more detailed information about how you can maximize your safety.

Remember, however, that no safety system can prevent all injuries or deaths that can occur in a severe crash, even when seat belts are properly worn and the airbags deploy.

# Protecting Adults and Teens

## Introduction

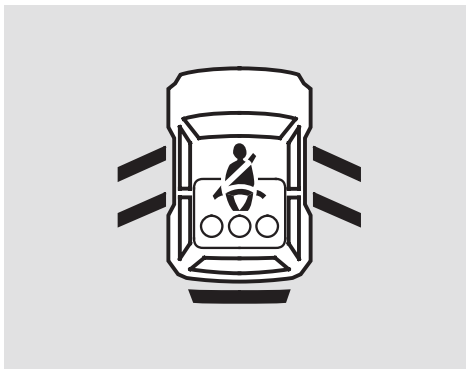
The following pages provide instructions on how to properly protect the driver, adult passengers, and teenage children who are large enough and mature enough to drive or ride in the front.

See pages 39 – 45 for important guidelines on how to properly protect infants, small children, and larger children who ride in your vehicle.

### 1. Close the Doors

After everyone has entered the vehicle, be sure the doors and the tailgate are closed.

*On vehicles with information display*



Your vehicle has a door and tailgate open monitor on the instrument panel to indicate when a specific door or the tailgate is not tightly closed.

See page 95 for how the door and tailgate open monitor works.

*On vehicles with multi-information display*

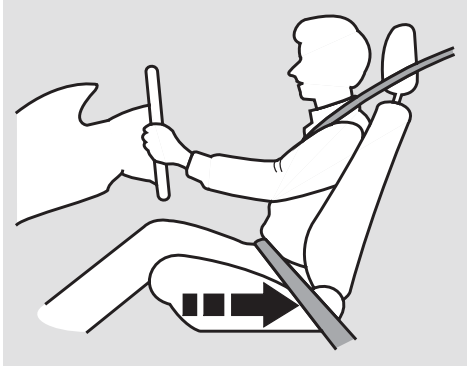


Your vehicle has a door and tailgate open monitor display on the multi-information display to indicate when a specific door or the tailgate is not tightly closed.

The above illustration shows that all doors and the tailgate are open.

See page 116 for how the monitor display works.

## 2. Adjust the Front Seats



Adjust the driver's seat as far to the rear as possible while allowing you to maintain full control of the vehicle. Have a front passenger adjust their seat as far to the rear as possible.

If you sit too close to the steering wheel or dashboard, you can be seriously injured by an inflating front airbag, or by striking the steering wheel or dashboard.

In addition to adjusting the seat, you can adjust the steering wheel up and down, and in and out (see page 174 ).

If you cannot get far enough away from the steering wheel and still reach the controls, we recommend that you investigate whether some type of adaptive equipment may help.

Once your manual seat is adjusted correctly, rock it back and forth to make sure it is locked into position.

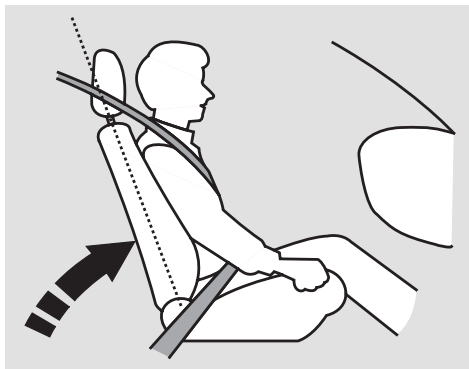
See page 189 for how to adjust the front seats.

### **⚠ WARNING**

**Sitting too close to a front airbag can result in serious injury or death if the front airbags inflate.**

**Always sit as far back from the front airbags as possible.**

## 3. Adjust the Seat-Backs



Adjust the driver's seat-back to a comfortable, upright position, leaving ample space between your chest and the airbag cover in the centre of the steering wheel.

Passengers with adjustable seat-backs should also adjust their seat-back to a comfortable, upright position.

### **⚠ WARNING**

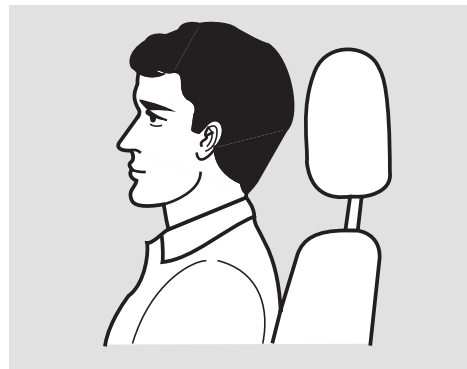
**Reclining the seat-back too far can result in serious injury or death in a crash.**

**Adjust the seat-back to an upright position, and sit well back in the seat.**

Reclining a seat-back so that the shoulder part of the belt no longer rests against the occupant's chest reduces the protective capability of the belt. It also increases the chance of sliding under the belt in a crash and being seriously injured. The farther a seat-back is reclined, the greater the risk of injury.

See page 188 for how to adjust the seat-backs.

## 4. Adjust the Head Restraints



Adjust the driver's head restraint so the back of your head rests against the centre of the restraint.

Have passengers adjust their head restraints properly as well. Taller persons should adjust their restraint as high as possible.

When a passenger is seated in the rear centre seating position, make sure the centre head restraint is adjusted to its highest position.

## **⚠ WARNING**

**Improperly positioning head restraints reduces their effectiveness and you can be seriously injured in a crash.**

**Make sure head restraints are in place and positioned properly before driving.**

Properly adjusted head restraints will help protect occupants from whiplash and other crash injuries.

See page 192 for how to adjust the head restraints.

## **5. Fasten and Position the Seat Belts**

Insert the latch plate into the buckle, then tug on the belt to make sure the belt is securely latched. Check that the belt is not twisted, because a twisted belt can cause serious injuries in a crash.

The seat belt in the centre position of the back seat can be unlatched and retracted to allow the back seat to be folded up or down. This seat belt should be latched whenever the seat-back is in an upright position. See page 199 for how to unlatch and relatch the seat belt.

*CONTINUED*



# Protecting Adults and Teens



Position the lap part of the belt as low as possible across your hips, then pull up on the shoulder part of the belt so the lap part fits snugly. This lets your strong pelvic bones take the force of a crash and reduces the chance of internal injuries.

If necessary, pull up on the belt again to remove any slack, then check that the belt rests across the centre of your chest and over your shoulder.

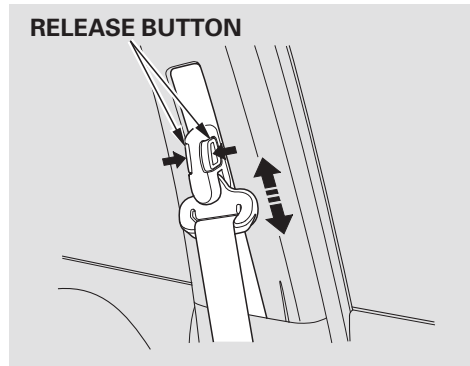
This spreads the forces of a crash over the strongest bones in your upper body.

## **⚠ WARNING**

**Improperly positioning the seat belts can cause serious injury or death in a crash.**

**Make sure all seat belts are properly positioned before driving.**

If the seat belt touches or crosses your neck, or if it crosses your arm instead of your shoulder, you need to adjust the seat belt anchor height.



The front seats have adjustable seat belt anchors. To adjust the height of an anchor, press and hold the release buttons, and slide the anchor up or down as needed (it has four positions).

***Never place the shoulder portion of a lap/shoulder belt under your arm or behind your back.*** This could cause very serious injuries in a crash.

If a seat belt does not seem to work as it should, it may not protect the occupant in a crash.

***No one should sit in a seat with an inoperative seat belt.*** Using a seat belt that is not working properly can result in serious injury or death. Have your dealer check the belt as soon as possible.

See page 24 for additional information about your seat belts and how to take care of them.

## **6. Maintain a Proper Sitting Position**

After all occupants have adjusted their seats and put on seat belts, it is very important that they continue to sit upright, well back in their seats, with their feet on the floor, until the vehicle is parked and the engine is off.

Sitting improperly can increase the chance of injury during a crash. For example, if an occupant slouches, lies down, turns sideways, sits forward, leans forward or sideways, or puts one or both feet up, the chance of injury during a crash is greatly increased.

In addition, an occupant who is out of position in the front seat can be seriously or fatally injured in a crash by striking interior parts of the vehicle or being struck by an inflating front airbag.

In a front passenger leans sideways and his head is in the deployment path of the side airbag, an inflating side airbag can strike the passenger with enough force to very seriously injure him.

### **⚠ WARNING**

**Sitting improperly or out of position can result in serious injury or death in a crash.**

**Always sit upright, well back in the seat, with your feet on the floor.**

# Protecting Adults and Teens

## Advice for Pregnant Women



If you are pregnant, the best way to protect yourself and your unborn child when driving or riding in a vehicle is to always wear a seat belt, and keep the lap part of the belt as low as possible across the hips.

When driving, remember to sit upright and adjust the seat as far back as possible while allowing full control of the vehicle. When riding as a front passenger, adjust the seat as far back as possible.

This will reduce the risk of injuries to both you and your unborn child that can be caused by a crash or an inflating front airbag.

Each time you have a checkup, ask your doctor if it's okay for you to drive.

## Additional Safety Precautions

- ***Never let passengers ride in the luggage area or on top of a folded-down back seat.*** If they do, they could be very seriously injured in a crash.
- ***Passengers should not stand up or change seats while the vehicle is moving.*** A passenger who is not wearing a seat belt during a crash or emergency stop can be thrown against the inside of the vehicle, against other occupants, or out of the vehicle.
- ***Two people should never use the same seat belt.*** If they do, they could be very seriously injured in a crash.

- ***Do not put any accessories on seat belts.*** Devices intended to improve occupant comfort or reposition the shoulder part of a seat belt can reduce the protective capability of the seat belt and increase the chance of serious injury in a crash.
  - ***Do not place hard or sharp objects between yourself and a front airbag.*** Carrying hard or sharp objects on your lap, or driving with a pipe or other sharp object in your mouth, can result in injuries if your front airbag inflates.
  - ***Keep your hands and arms away from the airbag covers.*** If your hands or arms are close to an airbag cover, they could be injured if the airbag inflates.
- ***Do not attach or place objects on the front airbag covers.*** Objects on the covers marked “SRS AIRBAG” could interfere with the proper operation of the airbags or be propelled inside the vehicle and hurt someone if the airbags inflate.
  - ***Do not attach hard objects on or near a door.*** If a side airbag or a side curtain airbag inflates, a cup holder or other hard object attached on or near the door could be propelled inside the vehicle and hurt someone.
  - ***Do not put a coat hanger or hard objects on a coat hook.*** This could result in injuries if your side curtain airbags inflate.

# Additional Information About Your Seat Belts

---

## Seat Belt System Components

Your seat belt system includes lap/shoulder belts in all five seating positions. The front seat belts are also equipped with automatic seat belt tensioners.

On vehicles with collision mitigation brake system (CMBS), the front seat belts are also equipped with seat belt e-pretensioners.



The seat belt system includes an indicator on the instrument panel and a beeper to remind you and your passengers to fasten your seat belts.



This system monitors the seat belts in all seating positions.

If you turn the ignition switch to the ON (II) position before your seat belt is fastened, the beeper will sound and the indicator will flash. If your seat belt is not fastened before the beeper stops, the indicator will stop flashing but remain on.

If a front passenger does not fasten their seat belt, the indicator will come on about 6 seconds after the ignition switch is turned to the ON (II) position.

If either the driver or a front passenger does not fasten their seat belt while driving, the beeper will sound and the indicator will flash again at regular intervals.

When no one is sitting in the front passenger's seat, or a child or small adult is riding there, the indicator should not come on and the beeper should not sound.

You will also see a symbol “” (for a driver)/“” (for a front passenger), or a “FASTEN SEAT BELT” or “FASTEN PASSENGER SEAT BELT” message with a symbol on the multi-information display to remind you and your passengers to fasten your seat belts.

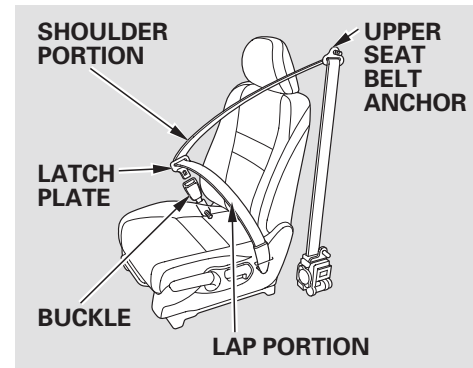
The seat belt system also monitors the seat belt use of all three rear seating positions according to each seat belt lockable retractor activation. The multi-information display or the information display will show you the seat belt use on the rear seat (see page 115 on vehicles with multi-information display, and page 83 on vehicles with information display).

The front passenger's seat belt use monitoring system uses the occupant detection sensor in the front passenger's seat. The system may not work properly under these conditions:

- You place heavy items on the front passenger's seat.
- You place a cushion on the front passenger's seat.
- The front passenger is not sitting properly.

Have your vehicle checked by a dealer if the indicator comes on or the beeper sounds when there is no front passenger or there are no objects on the front seat.

## Lap/Shoulder Belt



The lap and shoulder belt goes over your shoulder, across your chest, and across your hips.

To fasten the belt, insert the latch plate into the buckle, then tug on the belt to make sure the buckle is latched (see page 19 for how to properly position the belt).

*CONTINUED*

## Additional Information About Your Seat Belts

To unlock the belt, press the red PRESS button on the buckle. Guide the belt across your body so that it retracts completely. After exiting the vehicle, be sure the belt is out of the way and will not get closed in the door.

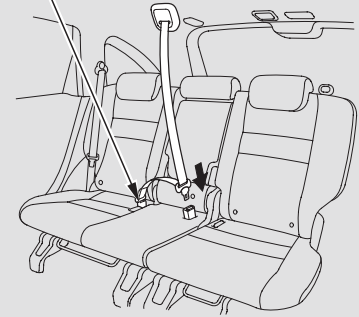
All seat belts have an emergency locking retractor. In normal driving, the retractor lets you move freely in your seat while it keeps some tension on the belt. During a collision or sudden stop, the retractor automatically locks the belt to help restrain your body.

The seat belts in all rear seating positions have a lockable retractor that must be activated to secure a child restraint (see page 59).

If the shoulder part of the belt is pulled all the way out, the lockable retractor will activate. The belt will retract, but it will not allow the passenger to move freely.

To deactivate the lockable retractor, unlatch the buckle and let the seat belt fully retract. To refasten the seat belt, pull it out only as far as needed.

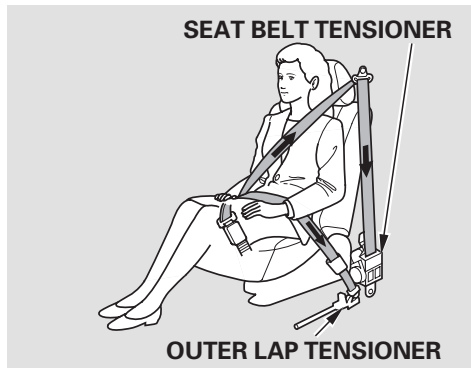
### DETACHABLE SEAT BELT



The lap/shoulder belt in the centre seating position on the rear seat is equipped with a detachable seat belt that has two parts: a small latch plate and an anchor buckle.

The detachable seat belt should normally be latched whenever the seat-backs are in an upright position. For more information about the detachable seat belt, see page 199.

## Automatic Seat Belt Tensioners



For added protection, the front seat belts are equipped with automatic seat belt tensioners. When activated, the tensioners immediately tighten the belts to help hold the driver and a front passenger in position.

The tensioners are designed to activate in any collision severe enough to cause the front airbags to deploy, or if a sensor detects your vehicle is about to roll over (see page 35 ).

If a side airbag or side curtain airbag deploys during a side impact, the tensioner on that side of the vehicle will also deploy.

The tensioners can also be activated during a collision in which the front airbags *do not* deploy. In this case, the airbags would not be needed, but the additional restraint could be helpful.

When the tensioners are activated, the seat belts will remain tight until they are unbuckled.

If the front seat belt tensioners ever activate, they must be replaced as the belts will no longer retract properly.

*On vehicles with collision mitigation brake system (CMBS)*

If there is no passenger on the front passenger's seat and the seat belt is not fastened, the front passenger's automatic seat belt tensioner will not be activated.

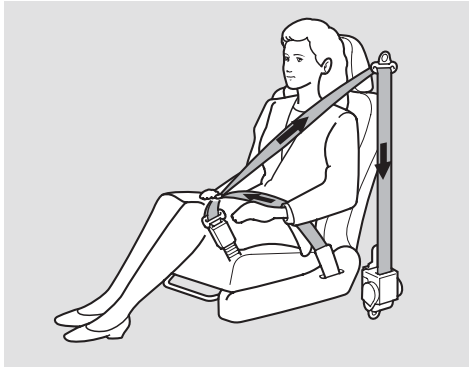


The SRS indicator will come on if there is a problem with your automatic seat belt tensioners (see page 35 ).



# Additional Information About Your Seat Belts

## Seat Belt e-pretensioners



*On vehicles with collision mitigation brake system (CMBS)*

For added safety, the front seat belts are equipped with the e-pretensioners that work in combination with the collision mitigation brake system (CMBS) to maximize the restraining ability of the belts. For more information on the CMBS, see page 368 .

In addition, the e-pretensioners work in combination with the brake pedal assist function ( see page 365 ).

If your vehicle gets too close to the vehicle ahead of it in your lane, the driver's e-pretensioner slightly retracts the seat belt to alert the driver of the approaching vehicle. If a collision with the vehicle in front of you is likely, the e-pretensioners on both front seats retract the seat belts with enough force to properly restrain you and your front passenger. After they activate, the e-pretensioners release the retracted seat belts.

To get the full benefit of the e-pretensioners, you and your front passenger must sit normally in your seats and wear your seat belts properly ( see page 21 ).

The e-pretensioners do not activate when the seat belts are not worn or when the vehicle stability assist (VSA) off indicator on the instrument panel is on.

If the automatic seat belt tensioners are activated by a collision, both front seat belts and all related components must be replaced ( see page 29 ). If only the e-pretensioners were activated, no components need to be replaced.

### Seat Belt Maintenance

For safety, you should check the condition of your seat belts regularly.

Pull each belt out fully, and look for frays, cuts, burns, and wear. Check that the latches work smoothly and the belts retract easily. If a belt does not retract easily, cleaning the belt may correct the problem (see page 469 ). Any belt that is not in good condition or working properly will not provide good protection and should be replaced as soon as possible.

**WARNING:** *No modifications or additions should be made by the user which will either prevent the seat belt adjusting devices from operating to remove slack, or prevent the seat belt assembly from being adjusted to remove slack.*

If a seat belt is worn during a crash, it must be replaced by the dealer. A belt that has been worn during a crash may not provide the same level of protection in a subsequent crash.

The dealer should also inspect the anchors for damage and replace them if needed. If the automatic seat belt tensioners activate during a crash, they must be replaced.

**WARNING:** *It is essential to replace the entire assembly after it has been worn in a severe impact even if damage to the assembly is not obvious.*

**WARNING:** *Care should be taken to avoid contamination of the webbing with polishes, oils and chemicals, and particularly battery acid. Cleaning may safely be carried out using mild soap and water. The belt should be replaced if webbing becomes frayed, contaminated or damaged.*

CONTINUED

# Additional Information About Your Seat Belts

## **⚠ WARNING**

**Not checking or maintaining seat belts can result in serious injury or death if the seat belts do not work properly when needed.**

**Check your seat belts regularly and have any problem corrected as soon as possible.**

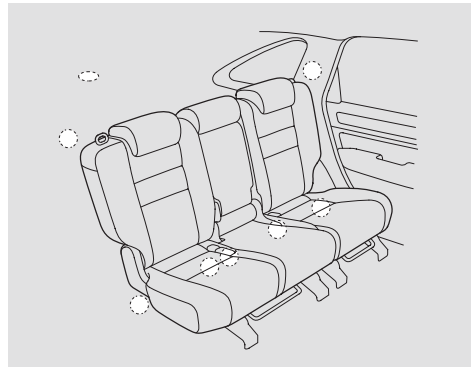
### *Anchorage Points*

When replacing the seat belts, make certain to use the anchorage points shown in the illustrations.

(Front Seat)



(Rear Seat)



The rear seat has three lap/shoulder belts.

## Airbag System Components

Your airbag system includes:

- Two SRS (supplemental restraint system) front airbags. The driver's airbag is stored in the centre of the steering wheel; the front passenger's airbag is stored in the dashboard. Both are marked "SRS AIRBAG" (see page 32 ).
- Two side airbags, one for the driver and one for a front passenger. The airbags are stored in the outer edges of the seat-backs. Both are marked "SIDE AIRBAG" (see page 34 ).
- Two side curtain airbags, one for each side of the vehicle. The airbags are stored in the ceiling above the side windows. The front and rear pillars on both sides are marked "SIDE CURTAIN AIRBAG" (see page 34 ).

- Automatic front seat belt tensioners (see page 27 ).

*On vehicles with CMBS*

- Front seat belt e-pretensioners (see page 28 ).
- Sensors that can detect a moderate to severe front impact, side impact, or a rollover.
- Sensors that can detect whether the driver's seat belt and a front passenger's seat belt is latched or unlatched (see page 19 ).
- A sophisticated electronic system that continually monitors and records information about the sensors, the control unit, the airbag activators, the seat belt tensioners, and driver and front passenger seat belt use when the ignition switch is in the ON (II) position.

- An indicator on the instrument panel that alerts you to a possible problem with your airbags, sensors, or seat belt tensioners (see page 35 ).

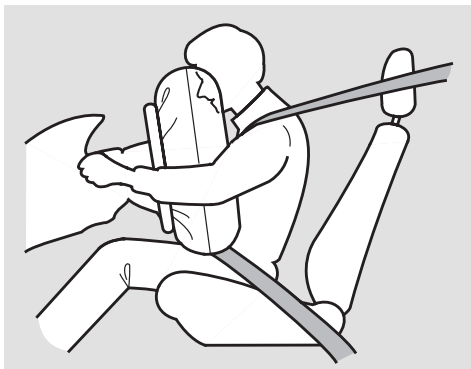
*On vehicles with CMBS*

This indicator also alerts you to a possible problem with the seat belt e-pretensioners.

- A rollover sensor that can detect if your vehicle is about to roll over and signal the control unit to deploy both side curtain airbags and front seat belt tensioners (see page 35 ).
- Emergency backup power in case your vehicle's electrical system is disconnected in a crash.

# Additional Information About Your Airbags

## How Your Front Airbags Work



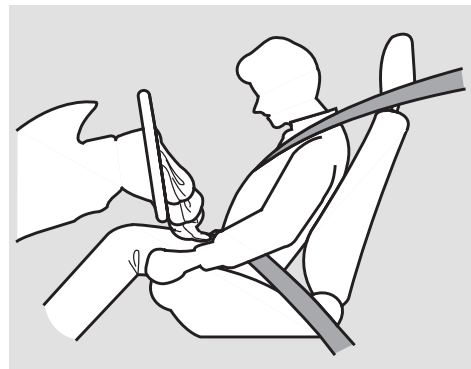
If you ever have a moderate to severe frontal collision, sensors will detect the vehicle's rapid deceleration.

If the rate of deceleration is high enough, the control unit will instantly inflate the driver's and front passenger's airbags, at the time and with the force needed.

During a frontal crash, your seat belt restrains your lower body and torso, and the front airbag helps protect your head and chest.

Although both airbags normally inflate within a split second of each other, it is possible for only one airbag to deploy.

This can happen if the severity of a collision is at the margin, or threshold, that determines whether or not the airbags will deploy. In such cases, the seat belt will provide sufficient protection, and the supplemental protection offered by the airbag would be minimal.



After inflating, the front airbags immediately deflate, so they won't interfere with the driver's visibility, or the ability to steer or operate other controls.

The total time for inflation and deflation is one-tenth of a second, so fast that most occupants are not aware that the airbags deployed until they see them lying in their laps.

After a crash, you may see what looks like smoke. This is actually powder from the airbag's surface. Although the powder is not harmful, people with respiratory problems may experience some temporary discomfort. If this occurs, get out of the vehicle as soon as it is safe to do so.

### ***Dual-Stage Airbags***

Your front airbags are dual-stage airbags. This means they have two inflation stages that can be ignited sequentially or simultaneously, depending on crash severity.

In a ***more severe*** crash, both stages will ignite simultaneously to provide the quickest and greatest protection.

In a ***less severe*** crash, one stage will ignite first, then the second stage will ignite a split second later. This provides longer airbag inflation time with a little less force.

### ***Dual-Threshold Airbags***

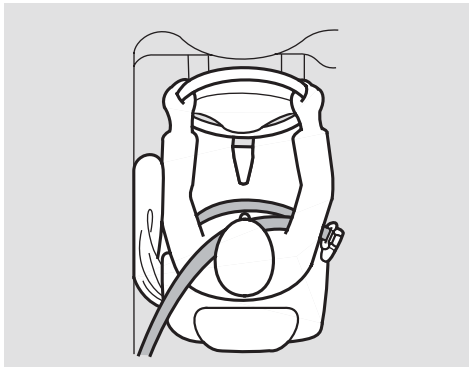
Your front airbags are also dual-threshold airbags. Airbags with this feature have two deployment thresholds that depend on whether sensors detect the occupant is wearing a seat belt or not.

If the occupant's belt is ***not latched***, the airbag will deploy at a slightly lower threshold, because the occupant would need extra protection.

If the occupant's belt is ***latched***, the airbag will inflate at a slightly higher threshold, when the airbag would be needed to supplement the protection provided by the seat belt.

# Additional Information About Your Airbags

## How Your Side Airbags Work



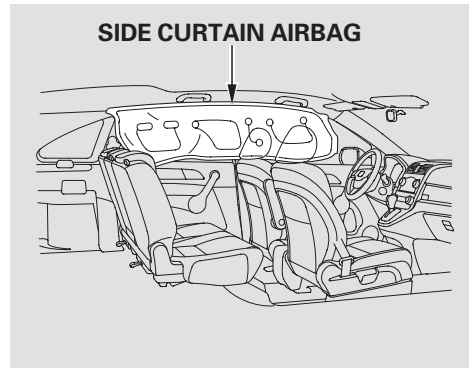
If you ever have a moderate to severe side impact, sensors will detect rapid acceleration and signal the control unit to instantly inflate either the driver's or the passenger's side airbag and activate the seat belt tensioner.

Only one airbag will deploy during a side impact. If the impact is on the passenger's side, the passenger's side airbag will deploy even if there is no passenger.

To get the best protection from the side airbags, front seat occupants should wear their seat belts and sit upright and well back in their seats.

If a front seat passenger leans sideways and his head is in the deployment path of the side airbag, he can be seriously injured by an inflating side airbag. An inflating side airbag can strike the child with enough force to kill or very seriously injure a child. For the information of the side airbags hazards, see pages 43 and 67.

## How Your Side Curtain Airbags Work



### *In a Side Impact*

In a moderate to severe side impact, sensors will detect rapid acceleration and signal the control unit to instantly inflate the side curtain airbag and activate the seat belt tensioner on the driver's or the passenger's side of the vehicle.

If the impact is on the passenger's side, the passenger's side curtain airbag will inflate even if there are no occupants on that side of the vehicle.

### ***In a Rollover***

If the rollover sensor detects your vehicle is about to roll over, it signals the control unit, which immediately deploys both side curtain airbags and activates both front seat belt tensioners.

The airbag on the passenger's side will deploy, and the seat belt tensioner will activate, even if there are no passengers on that side of the vehicle.

To get the best protection from the side curtain airbags, occupants should wear their seat belts and sit upright and well back in their seats.

### **How the SRS Indicator Works**



The SRS indicator alerts you to a potential problem with your airbags, sensors, or seat belt tensioners.

### *On vehicles with CMBS*

This indicator also alerts you to a possible problem with the seat belt e-pretensioners.

When you turn the ignition switch to the ON (II) position, this indicator comes on briefly then goes off. This tells you the system is working properly.

*CONTINUED*




## Additional Information About Your Airbags

---

If the indicator comes on at any other time, or does not come on at all, you should have the system checked by your dealer. For example:

- If the SRS indicator does not come on after you turn the ignition switch to the ON (II) position.
- If the indicator stays on after the engine starts.
- If the indicator comes on or flashes on and off while you drive.

*On vehicles with multi-information display*

You will also see the symbol “” or the symbol with a “CHECK SYSTEM” message on the multi-information display (see page 125).

If you see any of these indications, the airbags and seat belt tensioners may not work properly when you need them.

### **WARNING**

**Ignoring the SRS indicator can result in serious injury or death if the airbag systems or tensioners do not work properly.**

**Have your vehicle checked by a dealer as soon as possible if the SRS indicator alerts you to a possible problem.**

## Airbag Service

Your airbag systems and automatic seat belt tensioners are virtually maintenance free, and there are no parts you can safely service.

However, you must have your vehicle serviced if:

- ***An airbag ever inflates.*** Any airbag that has deployed must be replaced along with the control unit and other related parts. Any seat belt tensioner that activates must also be replaced.

Do not try to remove or replace any airbag by yourself. This must be done by your dealer or a knowledgeable body shop.

- ***The SRS indicator alerts you to a problem.*** Take your vehicle to an authorized dealer as soon as possible. If you ignore this indication, your airbags may not operate properly.

Handling is allowed by trained personnel only. It is prohibited to remove the airbag unit/belt-tensioner from the vehicle. In case of malfunction, shutdown or after airbag inflation/belt-tensioner operation you have to ask a qualified shop for repair or removal.

## Additional Safety Precautions

- ***Do not attempt to deactivate your airbags.*** Together, airbags and seat belts provide the best protection.
- ***Do not tamper with airbag and automatic seat belt tensioner components or wiring for any reason.*** Tampering could cause the airbags and automatic seat belt tensioners to deploy, possibly causing very serious injury.

CONTINUED

## Additional Information About Your Airbags

---

- ***Do not expose the front seat-backs to liquid.*** If water or another liquid soaks into the seat-back, it can prevent the side airbag system from working properly.
- ***Do not cover or replace front seat-back covers without consulting your dealer.*** Improperly replacing or covering front seat-back covers can prevent your side airbags from inflating during a side impact.



Children depend on adults to protect them. However, despite their best intentions, many adults do not know how to *properly* protect child passengers.

If you have children, or ever need to drive with a child in your vehicle, be sure to read this section. It begins with important general guidelines, then presents special information for infants, small children, and larger children.

## **All Children Must Be Restrained**

Each year, many children are injured or killed in vehicle crashes because they are either unrestrained or not properly restrained. In fact, vehicle accidents are the number one cause of the death of children ages 12 and under.

To reduce the number of child deaths and injuries, infants and children should be properly restrained when they ride in a vehicle.

***Infants and small children must be restrained in an approved child restraint system that is properly secured to the vehicle*** (see pages 39 – 65).

## **⚠ WARNING**

**Children who are unrestrained or improperly restrained can be seriously injured or killed in a crash.**

**Any child too small for a seat belt should be properly restrained in an approved child restraint system. A larger child should be properly restrained with a seat belt and use a booster seat if necessary.**

***Larger children must be restrained with a lap/shoulder belt and ride on a booster seat until the seat belt fits them properly*** (see pages 67 – 71).

*CONTINUED*

In most countries, child restraint systems must meet the specifications of the ECE 44 regulation.

In many countries, the law requires children younger than 12 years of age and less than 150 cm (60 in) in height to be secured in an officially approved and suitable child restraint system. In those countries, officially approved and suitable child restraint systems must therefore be used in order to transport a child on any passenger seat whatsoever. Please check your local legal requirements.

## **All Children Should Sit in a Back Seat**

According to crash statistics, children of all ages and sizes are safer when they are restrained in a back seat. It is recommended that all children age 12 and under be properly restrained in a back seat.

Children who ride in back are less likely to be injured by striking interior vehicle parts during a collision or hard braking. Also, children cannot be injured by an inflating airbag when they ride in the back.

## **The Passenger's Front Airbag Poses Serious Risks**

Front airbags have been designed to help protect adults in a moderate to severe frontal collision. To do this, the passenger's front airbag is quite large, and it can inflate with enough force to cause very serious injuries.

### **Infants**

***Never put a rearward facing child restraint system in the front seat of a vehicle equipped with a passenger's front airbag.*** If the airbag inflates, it can hit the back of the child restraint system with enough force to kill or very seriously injure an infant.

As required by E.C.E Regulation No. 94;

<b>⚠ WARNING</b>

<b>DO NOT place rear-facing child seat on this seat with airbag.</b>
<b>DEATH OR SERIOUS INJURY can occur.</b>

If the passenger's front airbag inflates, it can hit the rearward facing child restraint system with great force. The rearward facing child restraint system can be dislodged or struck with enough force to cause very serious injury to the infant.

### **Small Children**

*Placing a front facing child restraint system in the front seat of a vehicle equipped with a passenger's front airbag can be hazardous.* If the vehicle seat is too far forward, or the child's head is thrown forward during a collision, an inflating front airbag can strike the child with enough force to kill or very seriously injure a small child.

### **Larger Children**

*Children who have outgrown child restraint systems are also at risk of being injured or killed by an inflating passenger's front airbag.* Whenever possible, larger children should sit in the back seat, in a booster seat if needed, and be properly restrained with a seat belt (see page 67 for important information about protecting larger children).

In all cases observe the legal requirements of the countries in which you will drive.

*CONTINUED*

# Protecting Children – General Guidelines

To remind you of the passenger's front airbag hazards, and that children must be properly restrained in a back seat, your vehicle has warning labels on the windscreen, on the front passenger's doorjamb and on the front passenger's sun visor. Please read and follow the instructions on these labels.



<p><b>Extreme Hazard!</b></p> <p><b>DO NOT use a rearward facing child restraint on a seat protected by an airbag in front of it!</b></p>

As required by E.C.E Regulation No. 94;



<p><b>DO NOT place rear-facing child seat on this seat with airbag.</b></p> <p><b>DEATH OR SERIOUS INJURY can occur.</b></p>

### The Side Airbag Poses Serious Risks

Side airbags have been designed to help protect adults in a moderate to severe side impact.

If any part of a child's body is in the path of a deploying airbag, an inflating side airbag can strike the child with enough force to kill or very seriously injure a child.

To remind you of the side airbags hazards, and that children must be properly restrained in the back seat, your vehicle has the safety label on each front doorjamb.

#### **WARNING**



**Leaning over the front door can result in serious injury or death if the side airbag inflates.**

**Always sit upright with their back against the seat-back.**



## If You Must Drive with Several Children

Your vehicle has a back seat where children can be properly restrained. If you ever have to carry a group of children, and a child must ride in front:

- Place the largest child in the front seat, provided the child is large enough to wear the lap/shoulder belt properly (see page 67).
- Move the vehicle seat as far to the rear as possible (see page 189).
- Have the child sit upright and well back in the seat (see page 21).
- Make sure the seat belt is properly positioned and secured (see page 19).

## If a Child Requires Close Attention

Many parents say they prefer to put an infant or a small child in the front passenger seat so they can watch the child, or because the child requires attention.

Placing a child in the front seat exposes the child to hazards in a frontal collision or a side impact, and paying close attention to a child distracts the driver from the important tasks of driving, placing both of you at risk.

If a child requires close physical attention or frequent visual contact, we strongly recommend that another adult ride with the child in the back seat. The back seat is far safer for a child than the front.

## Additional Safety Precautions

- ***Never hold an infant or child on your lap.*** If you are not wearing a seat belt in crash, you could be thrown forward and crush the child against the dashboard or a seat-back. If you are wearing a seat belt, the child can be torn from your arms and be seriously hurt or killed.
- ***Never put a seat belt over yourself and a child.*** During a crash, the belt could press deep into the child and cause serious or fatal injuries.
- ***Never let two children use the same seat belt.*** If they do, they could be very seriously injured in a crash.

- ***Make sure any unused seat belt that a child can reach is buckled, the lockable retractor is activated, and the belt is fully retracted and locked.*** If a child wraps a loose seat belt around their neck, they can be seriously or fatally injured. (See pages 59 and 62 for how to activate and deactivate the lockable retractor.)
- ***Use the childproof door locks to prevent children from opening the rear doors.*** This can prevent children from accidentally falling out (see page 181 ).
- ***WARNING: Use the main power window switch to prevent children from opening the windows. Using this feature will prevent children from playing with the windows, which could expose them to hazards or distract the driver (see page 208 ).***

- ***WARNING: Always take the ignition key with you whenever you leave the vehicle alone (with other occupants).***
- ***Do not leave children alone in a vehicle.*** Leaving children without adult supervision is illegal in some countries, and can be very hazardous.

For example, infants and small children left in a vehicle on a hot day can die from heatstroke. A child left alone with the key in the ignition switch can accidentally set the vehicle in motion, possibly injuring themselves or others.

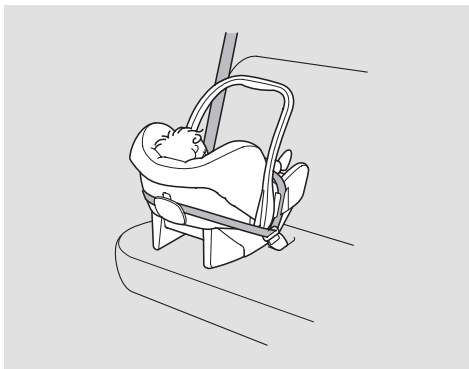
- ***Lock all doors and the tailgate when your vehicle is not in use.*** Children who play in vehicles can accidentally get trapped inside. Teach your children not to play in or around vehicles.

- ***Keep vehicle keys/remote transmitters out of the reach of children.*** Even very young children learn how to unlock vehicle doors, turn on the ignition switch, and open the tailgate, which can lead to accidental injury or death.

“Never let children kneel on seats or stand while the vehicle is in motion. The violent forces created during emergency braking will cause the children to be thrown forward. The children could be seriously injured or killed.”

# Protecting Infants and Small Children

## Protecting Infants



### ***Child Restraint System Type***

An infant must be properly restrained in a rear-facing, reclining child restraint system until the child reaches the restraint system maker's weight or height limit for the restraint system, and the child is at least one year old.

Only a rearward facing child restraint system provides proper support for a baby's head, neck and back.

Two types of restraints may be used: a restraint system designed exclusively for infants, or a convertible restraint system used in the rearward facing, reclining mode.

For EU countries, refer to page 52 for the recommended child restraint system.

***Do not put a rearward facing child restraint system in a forward-facing position.*** If placed facing forward, an infant could be very seriously injured during a frontal collision.

### ***Rearward Facing Child Restraint System Placement***

A rearward facing child restraint system can be placed in any seating position in the back seat, but not in the front. ***Never put a rearward facing child restraint system in the front seat.***

For EU countries, an approved rearward facing child restraint system should be placed in any seating position in the back seat (see page 52).

If the passenger's front airbag inflates, it can hit the back of the restraint with enough force to kill or seriously injure an infant.

When properly installed, a rearward facing child restraint system may prevent the driver or a front passenger from moving their seat as far back as recommended, or from locking their seat-back in the desired position.

In either situation, we strongly recommend that you install the child restraint system directly behind the front passenger seat, move the seat as far forward as needed, and leave it unoccupied. Or you may wish to get a smaller rearward facing child restraint system.

## **⚠ WARNING**

**Placing a rearward facing child restraint system in the front seat can result in serious injury or death if the passenger's front airbag inflates.**

**Always place a rearward facing child restraint system in the back seat, not the front.**

As required by E.C.E Regulation No. 94;

## **⚠ WARNING**



**DO NOT place rear-facing child seat on this seat with airbag.**

**DEATH OR SERIOUS INJURY can occur.**

If the passenger's front airbag inflates, it can hit the rearward facing child restraint system with great force. The rearward facing child restraint system can be dislodged or struck with enough force to cause very serious injury to the infant.

# Protecting Infants and Small Children

## Protecting Small Children



### *Child Restraint System Type*

A child who is at least one year old, and who fits within the child restraint system maker's weight and height limits, should be restrained in a front facing, upright child restraint system.

Of the different restraint systems available, we recommend those that have a five-point harness system as shown.

We also recommend that a small child uses the child restraint system as long as possible, until the child reaches the weight or height limit for the restraint system.

For EU countries, refer to page 52 for the recommended child restraint system.

### *Child Restraint System Placement*

We strongly recommend placing a front facing child restraint system in a back seat, not the front.

***Placing a front facing child restraint system in the front seat of a vehicle equipped with a passenger's airbag can be hazardous.*** If the vehicle seat is too far forward, or the child's head is thrown forward during a collision, an inflating airbag can strike the child with enough force to cause very serious or fatal injuries.

If it is necessary to put a front facing child restraint system in the front, move the vehicle seat as far to the rear as possible, and be sure the child restraint system is firmly secured to the vehicle and the child is properly strapped in the restraint system.

### **⚠ WARNING**

**Placing a front facing child restraint system in the front seat can result in serious injury or death if the front airbag inflates.**

**If you must place a front facing child restraint system in front, move the vehicle seat as far back as possible, and properly restrain the child.**

When buying a child restraint system, you need to choose either a conventional child restraint system, or one designed for use with the lower anchorages and tethers.

Conventional child restraint systems must be secured to a vehicle with a seat belt, whereas lower anchorages system-compatible child restraint systems are secured by attaching the restraint to hardware built into each rear seating position in the back seat.

Since lower anchorages system-compatible child restraint systems are easier to install and reduce the possibility of improper installation, we recommend selecting this style.

We also recommend selecting a lower anchorages system-compatible child restraint system with a rigid, rather than a flexible, anchor (see page 54 ).

In EU countries, a child restraint system with a flexible anchor is not available.

In seating positions and vehicles not equipped with lower anchorages system, a lower anchorages system-compatible child restraint system can be installed using a seat belt.

Whatever type of child restraint you choose, to provide proper protection, a child restraint system should meet three requirements:

***1. The child restraint system should meet safety standards.*** In most countries, child restraint systems must meet the specifications of the ECE 44 regulation. Look for the approval mark on the system and the manufacturer's statement of compliance on the box.

The manufacturer of the vehicle does not assume any responsibility for damage which would be caused by a defect inherent in the recommended child restraint system.

*CONTINUED*

# Selecting a Child Restraint System

---

***2. The child restraint system should be of the proper type and size to fit the child.***

Rearward facing for infants, front facing for small children.

Make sure the restraint system fits your child. Check the manufacturer's instructions and labels for height and weight limits.

***3. The child restraint system should fit the vehicle seating position (or positions) where it will be used.***

Before purchasing a conventional child restraint system, or using a previously purchased one, we recommend that you test the restraint system in the specific vehicle seating position or positions where the child restraint system will be used.

For EU countries, refer to page 52 for the recommended child restraint system.

After selecting a proper child restraint system and a good place to install the restraint system, there are three main steps in installing the restraint system:

**1. Properly secure the child restraint system to the vehicle.** All child restraint systems must be secured to the vehicle with the lap part of a lap/shoulder belt or with the lower anchorages system. A child whose restraint system is not properly secured to the vehicle can be endangered in a crash.

*Except for European models*

If you use a lap/shoulder belt without a lockable retractor, be sure you install a locking clip on the seat belt (see page 63).

**2. Make sure the child restraint system is firmly secured.** After installing a child restraint system, push and pull the restraint system forward and from side-to-side to verify that it is secure.

A child restraint system secured with a seat belt should be installed as firmly as possible. However, it does not need to be “rock solid.” Some side-to-side movement can be expected and should not reduce the child restraint system’s effectiveness.

If the child restraint system is not secure, try installing it in a different seating position, or use a different style of child restraint system that can be firmly secured.

For EU countries, refer to page 52 for the recommended child restraint system.

**3. Secure the child in the child restraint system.** Make sure the child is properly strapped in the child restraint system according to the child restraint system maker’s instructions. A child who is not properly secured in a child restraint system can be seriously injured in a crash.

The following pages provide the recommended child restraint systems for EU countries and guidelines on how to properly install a child restraint system. A front facing child restraint system is used in all examples, but the instructions are the same for a rearward facing child restraint system.



# Installing a Child Restraint System

## Child Restraint System for EU Countries

Various types of child restraint systems are available. Not all types are suitable for your vehicle. Please refer to the table below to select which category of child restraint system can be used on each seating position.

Mass Group	Seating Position		
	Front passenger	Rear passenger	
		Outboard	Centre
group 0 Up to 10 kg	X	U*2	Honda BABY-SAFE
group 0+ Up to 13 kg	X	IL (Honda BABY-SAFE ISO FIX) or U*2	IL (Honda BABY-SAFE ISO FIX) or Honda BABY-SAFE
group I 9 kg to 18 kg	Honda LORD*1	IUF (Size class A, B1, B) or U*2	IUF (Size class A, B1, B) or Honda LOAD
group II 15 kg to 25 kg	Honda KID*1	U*2	Honda KID
group III 22 kg to 36 kg	Honda KID*1	U*2	Honda KID

IL: Suitable for particular ISO FIX child restraint systems (CRS) given in this table.

IUF: Suitable for front facing ISO FIX child restraint systems of universal category approved for use in this mass group.

For group I, the front facing genuine Honda ISO FIX child restraint system is available from your dealer.

U: Suitable for “universal” category child restraints approved for use in this mass group.

X: Seat position not suitable for children in this mass group.

\* 1: Move the front seat to its rearmost position.

\* 2: Adjust the front seat forward to 30 mm (3 notches) from its rearmost position.

A size class is specified for some child restraint systems. Make sure to check the size class as indicated on the manufacturer’s instructions, package, and labels of the child restraint.

The particular child restraints in the above table are Honda Genuine Parts. They are available from your dealer.

**For a correct installation, please refer to the Child Restraint Instruction Manual.**

Your vehicle has the manual adjustable rear seat. To install a child restraint system in any seating position on the rear seat, slide the rear seat as far back as it can go.

### **WARNING**

**The use of any child restraint system which is not suitable for your vehicles would not properly secure the infant or child who could therefore be killed or seriously injured.**

Your vehicle is equipped with lower anchorages at each seating position on the rear seat. These anchorages are only to be used with a child restraint system designed to be attached to the lower anchorages. Refer to page 54 for how to install a child restraint system to the lower anchorages.

# Installing a Child Restraint System

## Installing a Child Restraint System with the Lower Anchorages

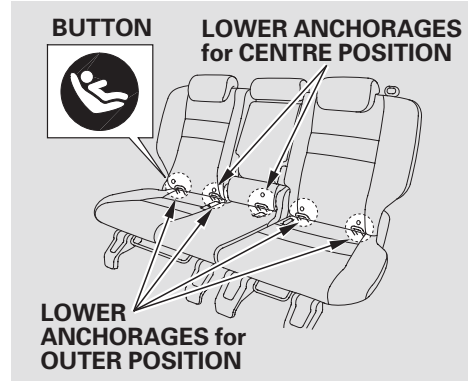
Your vehicle is equipped with lower anchorages at the rear seats to secure a child restraint system in any seating position: one in each outer seating position, or one in the centre.

The five lower anchorages are located between the seat-back and seat bottom, and are to be used only with a child restraint system designed for use with the lower anchorages.

The location of each lower anchorage is indicated by a small button above the anchorage point.

For EU countries, refer to page 52 for the recommended child restraint system.

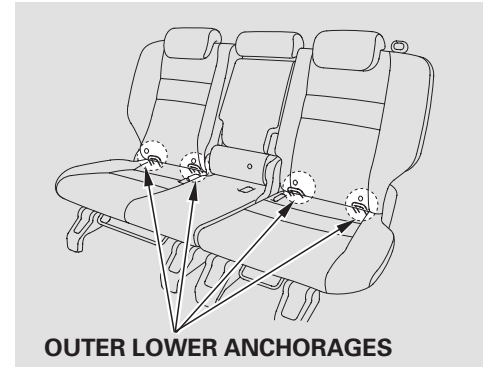
When you install a child restraint system in the rear centre seating



position, use the centre lower anchorages as shown in the illustration. To install a child restraint system in either outer seating position, use the outer lower anchorages. You can install up to two child restraint systems at a time using the outer lower anchorages.

Do not attach two child restraint system connectors to a single lower anchorage at a time.

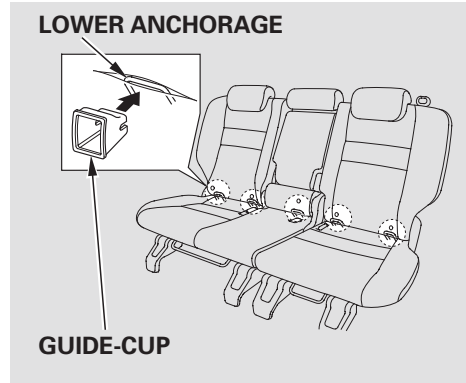
## Using the Outer Lower Anchorages



To install a child restraint system designed to be attached to the lower anchorages in either of the rear outer seats:

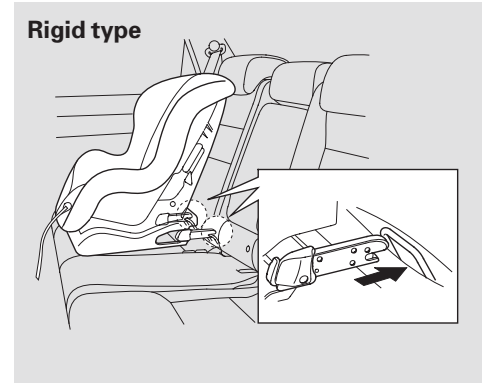
1. Store the seat belt buckle or tongue in the storage pockets.

2. Make sure there are no objects near the anchorages that could prevent a secure connection between the child restraint system and the anchorages.
3. *On some child restraint systems*  
You may use optional guide-cups that came with your child restraint system to install it to the lower anchorages without damaging the seat surface.



Attach the guide-cups to the lower anchorages as shown in the illustration.

When using the guide-cups, always follow the child restraint system manufacturer's instructions.



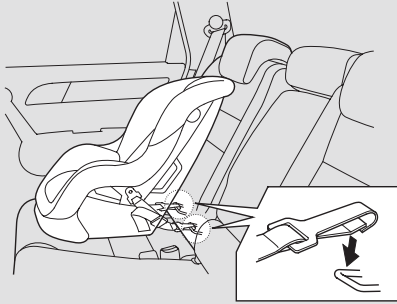
4. Place the child restraint system on the vehicle seat, then attach the child restraint system to the lower anchorages according to the child restraint system maker's instructions.

Some child restraint systems designed for use with lower anchorages have a rigid-type connector as shown above.

*CONTINUED*

# Installing a Child Restraint System

## Flexible type



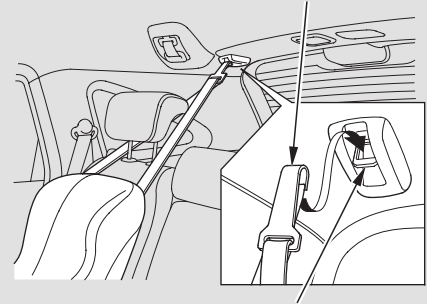
Other child restraints have a flexible-type connector as shown above.

5. Whatever type you have, follow the child restraint system maker's instructions for adjusting or tightening the fit.

Flexible type child restraint system is available in some countries. In EU countries, this type is not available.

6. Set the head restraint to its highest position.
7. Route the tether strap over the seat-back through the outsides of the head restraint legs, then attach the attaching clip to the tether anchor fitting in the ceiling as shown in the illustration. Make sure the strap is not twisted, then tighten the strap according to the child restraint system maker's instructions.

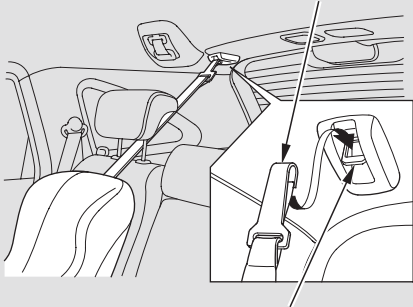
## ATTACHING CLIP



## TETHER ANCHOR FITTING

The above illustration shows how the attaching clip should be routed in EU countries.

**ATTACHING CLIP**



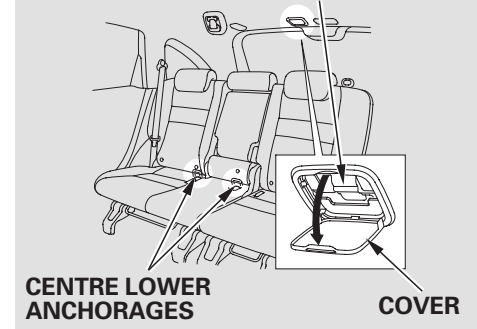
**TETHER ANCHOR FITTING**

On some child restraint types, route the tether strap between the legs of the head restraint as shown.

8. Push and pull the child restraint system forward and from side-to-side to verify that it is secure.

## *Using the Centre Lower Anchorages*

**TETHER ANCHOR FITTING**



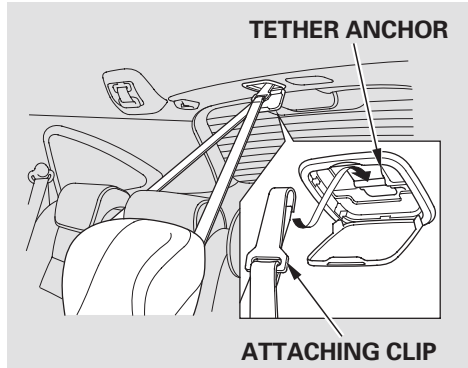
To install a child restraint system in the rear centre seating position, use the centre lower anchorages as shown above.

1. Follow step 1 through 5 as described previously to secure the child restraint system.

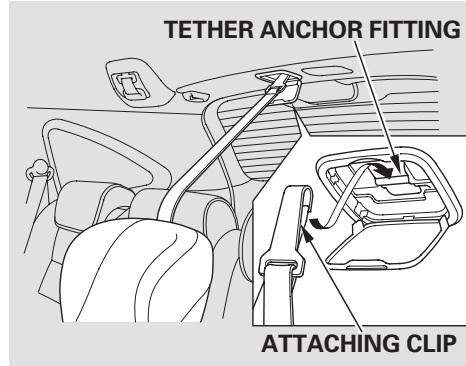
*CONTINUED*

# Installing a Child Restraint System

2. Lower the head restraint to its lowest position.
3. Pull down the cover to access the tether anchor fitting.



4. Route the tether strap over the seat-back, then attach the attaching clip to the tether anchor fitting in the centre of the ceiling, making sure the strap is not twisted. Tighten the strap according to the child restraint system maker's instructions.



On some child restraint system, route the tether strap over the head restraint as shown.

5. Push and pull the child restraint system forward and from side-to-side to verify that it is secure.

The design and suitability of the child restraint systems must be carefully checked with the child restraint system manufacturer concerned and the seller of those systems. If you are not sure, consult your dealer before purchasing this type of child restraint system.

## Installing a Child Restraint System with a Lap/Shoulder Belt

When not using the lower anchorages system, all child restraint systems must be secured to the vehicle with the lap part of a lap/shoulder belt.

In addition, the lap/shoulder belts in the back seating positions have a lockable retractor that must be activated to secure a child restraint system.

If you intend to install a child restraint system in the centre seating position of the rear seat, make sure the detachable seat belt anchor is securely latched (see page 199).

To properly route a lap/shoulder belt through a child restraint system, follow the restraint system maker's instructions.

For EU countries, refer to page 52 for installing a child restraint system.

The procedures in the following pages are described based on a front facing child restraint system available in EU countries.

1. Place the child restraint system in the desired back seating position. Make sure the child restraint is positioned well back in the seat-back.

If you place the child restraint system in any rear seating position and use the tether strap for additional security, make sure to set the head restraint properly and attach the attaching clip to the anchor fitting before securing the child restraint system with the lap/shoulder belt.

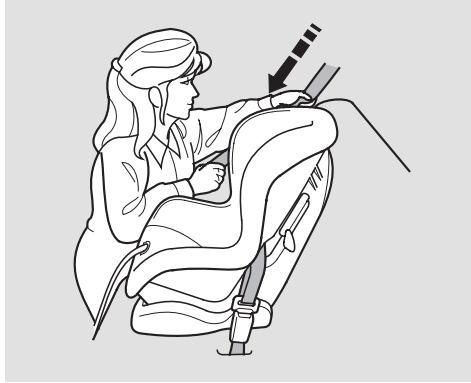


2. Route the belt through the restraint according to the restraint system maker's instructions, then insert the latch plate into the buckle.

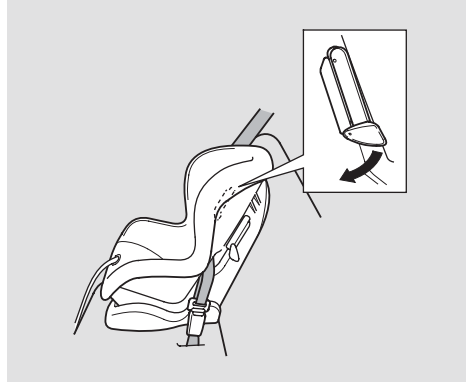
*CONTINUED*



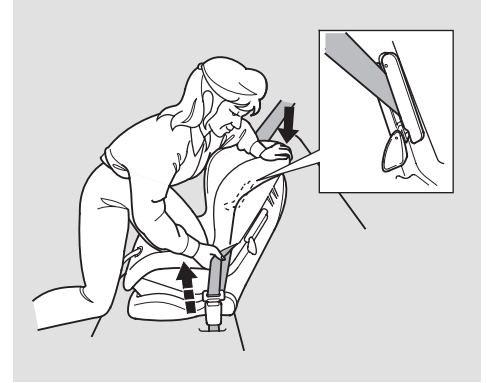
## Installing a Child Restraint System



3. To activate the lockable retractor, slowly pull the shoulder part of the belt all the way out until it stops.

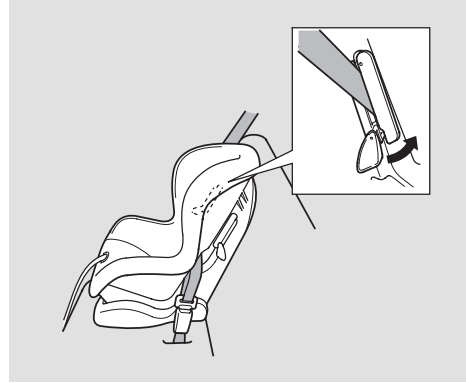


4. Push down the tab. Route the shoulder part of the belt into the slit at the side of the restraint, then let the belt feed back into the retractor.
5. After the belt has retracted, tug on it. If the belt is locked, you will not be able to pull it out. If you can pull the belt out, it is not locked, and you will need to repeat these steps.

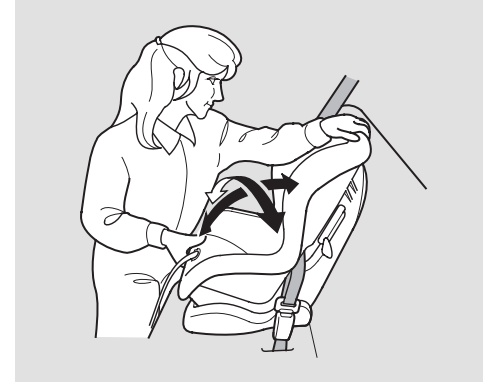


6. After confirming that the belt is locked, grab the shoulder part of the belt near the buckle, and pull up to remove any slack from the lap part of the belt. Remember, if the lap part of the belt is not tight, the child restraint system will not be secure.

To remove slack, it may help to put weight on the child restraint system, or push on the back of the restraint system while pulling up on the belt.



7. Secure the belt in the slit by pushing up the tab. Make sure the belt is not twisted and it is positioned properly in the slit.

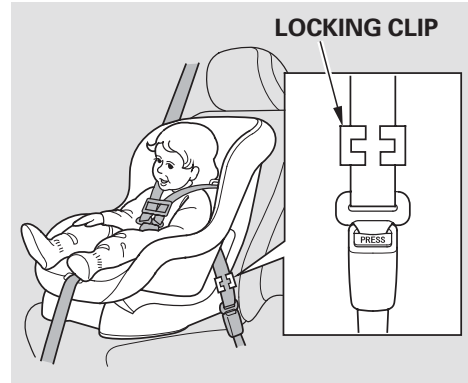


8. Push and pull the child restraint system forward and from side-to-side to verify that it is secure enough to stay upright during normal driving manoeuvres. If the child restraint system is not secure, unlatch the belt, allow it to retract fully, then repeat these steps.

*CONTINUED*

# Installing a Child Restraint System

To deactivate the lockable retractor and remove a child restraint system, unlatch the buckle, unrout the seat belt, and let the belt fully retract.



## ***Except for European models***

*On vehicles without lockable retractor fitted to the seat where the child is positioned*

When you secure a child restraint system with a lap/shoulder belt, be sure you install a locking clip on the seat belt (see page 63 ).

## ***Using a Seat Belt Locking Clip*** ***Except for European models***

*On vehicles without lockable retractor fitted to the seat where the child is positioned*

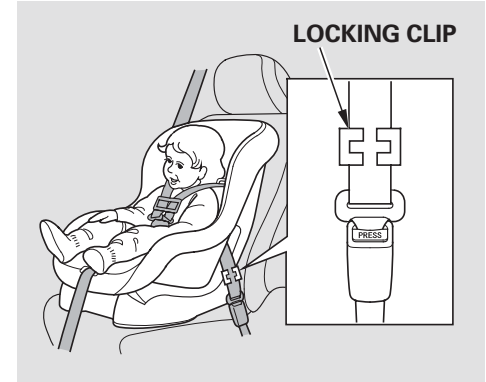
Always use a seat belt locking clip when you secure a child restraint system to your vehicle with a lap/shoulder belt. This helps prevent the restraint system from shifting position or overturning.

A locking clip is usually included with the child restraint system. If you need a clip, contact the seat's manufacturer or a store that sells child restraints.

If it is necessary to put a front facing child restraint system in the front, move the vehicle seat as far to the rear as possible, be sure the child restraint system is firmly secured to the vehicle, and the child is properly strapped in the restraint system (see page 48).

To install a locking clip, do the following:

1. Place the child restraint in the seat with a lap/shoulder belt. Route the lap/shoulder belt through the restraint according to the seat manufacturer's instructions.
2. Insert the latch plate into the buckle. Pull on the shoulder part of the belt to make sure there is no slack in the lap portion.
3. Tightly grasp the belt near the latch plate. Pinch both parts of the belt together so they won't slip through the latch plate. Unbuckle the seat belt.

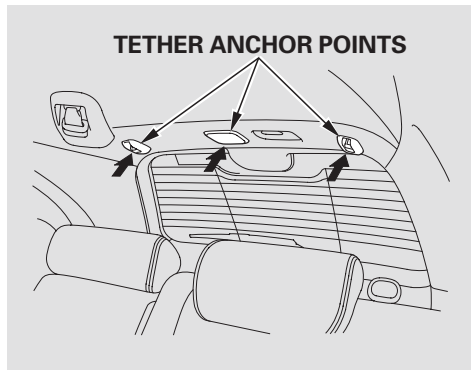


4. Install the locking clip as shown. Position the clip as close as possible to the latch plate.
5. Insert the latch plate into the buckle. Push and pull on the child restraint system to verify that it is held firmly in place. If it is not, repeat these steps until the restraint is secure.

# Installing a Child Restraint System

## Installing a Child Restraint System with a Tether

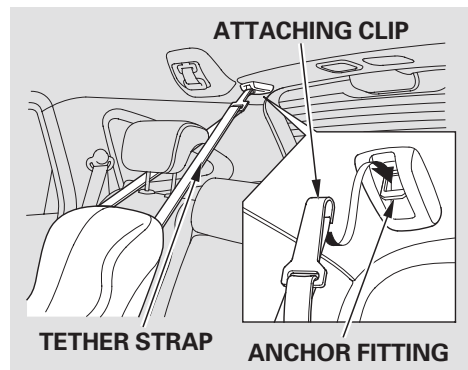
Children riding in vehicles should be restrained to minimize the risk of injury in the event of an accident.



A child restraint system with a tether can be installed in any seating position in the back seat, using one of the anchor points shown in the illustration.

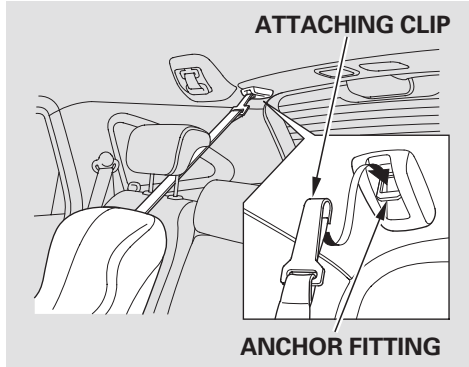
Since a tether can provide additional security to the lap/shoulder belt installation, we recommend using a tether whenever one is required or available. (The owners may check with the child restraint system maker to determine whether a tether is available for a particular child restraint system.)

## Using an Outer Anchor Fitting



1. After properly securing the child restraint system (see page 54 or 59), route the tether strap over the seat-back and on both sides of the head restraint as shown.

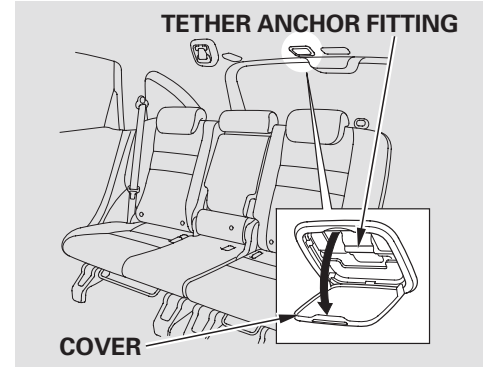
The above illustration shows how the tether strap should be routed in EU countries.



On some child restraint types, route the tether strap between the legs of the head restraint as shown.

2. Attach the attaching clip to the anchor fitting, making sure the strap is not twisted.
3. Tighten the tether strap according to the child restraint system maker's instructions.

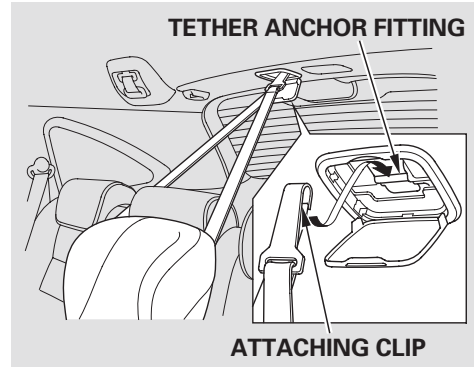
## *Using the Centre Anchor*



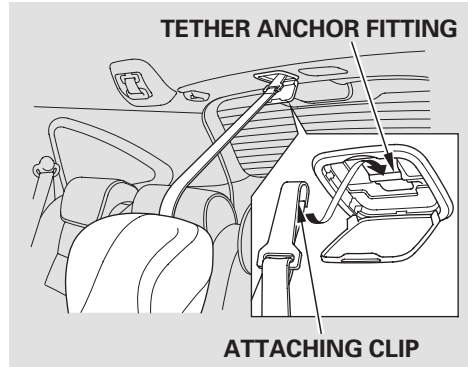
1. Push down the rear centre head restraint to the lowest position.
2. After properly securing the child restraint system (see page 59), open the anchor cover.

*CONTINUED*

# Installing a Child Restraint System



3. Route the tether strap over the head restraint, then attach the attaching clip to the anchor fitting, making sure the tether strap is not twisted.



- On some child restraint system, route the tether strap over the head restraint as shown.

4. Tighten the tether strap according to the child restraint system maker's instructions.

To attach the tether to the child restraint system, follow the child restraint system maker's instructions.

When the child restraint system is used, follow the instructions that came with the child restraint system.

**WARNING:** *Child restraint anchorages are designed to withstand only those loads imposed by correctly fitted child restraints. Under no circumstances are they to be used for adult seat belts, harnesses or for attaching other items or equipment to the vehicle.*

When a child reaches the recommended weight or height limit for a front facing child restraint system, the child should sit in a back seat on a booster seat and wear a lap/shoulder belt.

The following pages give instructions on how to check proper seat belt fit, what kind of booster seat to use if one is needed, and important precautions for a child who must sit in front.

### **WARNING**

**Allowing a child age 12 or under to sit in front can result in injury or death if the passenger's front airbag inflates.**

**If a child must ride in front, move the vehicle seat as far back as possible, use a booster seat if needed, have the child sit up properly and wear the seat belt properly.**

### **WARNING**

**Leaning over the front door can result in serious injury or death if the side airbag inflates.**

**Always sit upright with their back against the seat-back.**



# Protecting Larger Children

## Checking Seat Belt Fit



To determine if a lap/shoulder belt properly fits a child, have the child put on the seat belt, then ask yourself:

1. Does the child sit all the way back against the seat?
2. Do the child's knees bend comfortably over the edge of the seat?

3. Does the shoulder belt cross between the child's neck and arm?
4. Is the lap part of the belt as low as possible, touching the child's thighs?
5. Will the child be able to stay seated like this for the whole trip?

If you answer yes to all these questions, the child is ready to wear the lap/shoulder belt correctly. If you answer no to any question, the child needs to ride on a booster seat.

## Using a Booster Seat



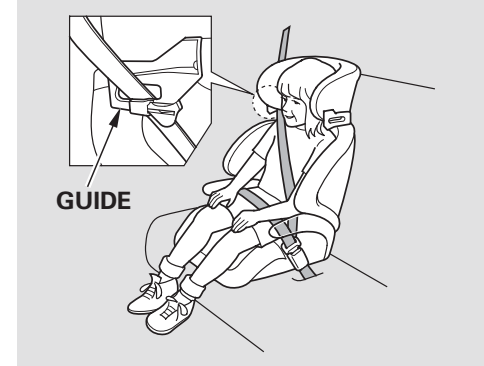
A child who has outgrown a front facing child restraint system should ride in a back seat and use a booster seat until the lap/shoulder belt fits them properly without the booster.

Booster seats can be high-back or low-back. Whichever style you select, make sure the booster seat meets approved safety standards (see page 49 ) and that you follow the booster seat maker's instructions.

If a child who uses a booster seat must ride in front, move the vehicle seat as far back as possible and be sure the child is wearing the seat belt properly.

A child may continue using a booster seat until the tops of their ears are even with the top of the vehicle's or booster's seat-back. A child of this height should be tall enough to use the lap/shoulder belt without a booster seat.

For EU countries, refer to page 52 for the booster seat placement.



A back-rest may be available for a specific booster seat. Install the back-rest to the booster seat and adjust it to the vehicle seat according to the booster seat maker's instructions. Make sure the seat belt is properly routed through the guide at the shoulder of the back-rest and the belt does not touch and cross the child's neck (see page 19 ).

# Protecting Larger Children

---

## When Can a Larger Child Sit in Front

It is recommended that all children age 12 and under be properly restrained in the back seat.

The back seat is the safest place for a child of any age or size.

If the passenger's front airbag inflates in a moderate to severe frontal collision, the airbag can cause serious injuries to a child who is unrestrained, improperly restrained, sitting too close to the airbag, or out of position.

A side airbag also poses risks. If any part of a larger child's body is in the path of a deploying side airbag, the child could receive possibly serious injuries.

Of course, children vary widely. And while age may be one indicator of when a child can safely ride in front, there are other important factors you should consider.

### *Physical Size*

Physically, a child must be large enough for the lap/shoulder belt to properly fit (see pages 19 and 67). If the seat belt does not fit properly, with or without the child sitting on a booster seat, the child should not sit in front.

### *Maturity*

To safely ride in front, a child must be able to follow the rules, including sitting properly, and wearing the seat belt properly throughout a ride.

If you decide that a child can safely ride up front, be sure to:

- Carefully read the owner's manual, and make sure you understand all seat belt instructions and all safety information.
- Move the vehicle seat to the rear-most position.
- Have the child sit up straight, back against the seat, and feet on or near the floor.
- Check that the child's seat belt is properly and securely positioned.
- Remind the child not to lean toward the door.
- Supervise the child. Even a mature child sometimes needs to be reminded to fasten the seat belt or sit properly.

### Additional Safety Precautions

- **Do not let a child wear a seat belt across the neck.** This could result in serious neck injuries during a crash.
- **Do not let a child put the shoulder part of a seat belt behind the back or under the arm.** This could cause very serious injuries during a crash. It also increases the chance that the child will slide under the belt in a crash and be injured.
- **Two children should never use the same seat belt.** If they do, they could be very seriously injured in a crash.
- **Do not put any accessories on a seat belt.** Devices intended to improve a child's comfort or reposition the shoulder part of a seat belt can make the belt less effective and increase the chance of serious injury in a crash.

# Carbon Monoxide Hazard

Your vehicle's exhaust contains carbon monoxide gas. Carbon monoxide should not enter the vehicle in normal driving if you maintain your vehicle properly and follow the information on this page.

Have the exhaust system inspected for leaks whenever:

- The vehicle is raised for an oil change.
- You notice a change in the sound of the exhaust.
- The vehicle was in an accident that may have damaged the underside.

## WARNING


**Carbon monoxide gas is toxic. Breathing it can cause unconsciousness and even kill you.**

**Avoid any enclosed areas or activities that expose you to carbon monoxide.**

High levels of carbon monoxide can collect rapidly in enclosed areas, such as a garage. Do not run the engine with the garage door closed. Even with the door open, run the engine only long enough to move the vehicle out of the garage.

With the tailgate open, airflow can pull exhaust gas into your vehicle's interior and create a hazardous condition. If you must drive with the tailgate open, open all the windows, and set the heating and cooling system/climate control system as shown below.

If you must sit in your parked vehicle with the engine running, even in an unconfined area, adjust the heating and cooling system/climate control system as follows:

1. Select the fresh air mode.
2. Select the  mode.
3. Turn the fan on high speed.
4. Set the temperature control to a comfortable setting.

These labels are in the locations shown. They warn you of potential hazards that could cause serious injury. Read these labels carefully.

If a label comes off or becomes hard to read, contact your dealer for a replacement.

The label shown below is attached to the back of the bonnet.



• Safety alert symbol



• Follow service manual instructions carefully

**EXPANSION TANK CAP DANGER LABEL**

(Diesel models)

**DUAL DECK LUGGAGE SHELF WARNING\***

**CHILD SAFETY/SRS AIRBAG**

(Left-hand drive type)

**CHILD SAFETY/SRS AIRBAG**

(Right-hand drive type)

**SRS AIRBAG**

**SIDE AIRBAG**

**CHILD SAFETY**

**RADIATOR CAP DANGER LABEL**

(Petrol models)

**BATTERY DANGER LABEL**

\* : If equipped

*CONTINUED*

# Safety Labels

The label shown below is attached to each front doorjamb.



- Side Airbag





- Safety alert symbol



- Follow owner's manual instructions carefully

## ***On Diesel models***

Symbols   on top of the engine under the engine cover are to remind you to follow the service manual instructions. When replacing the injectors, your authorized dealer should perform this work. Contact your dealer.

## ***On vehicles with dual deck luggage shelf***

The label shown below is attached to the left side on the dual deck luggage shelf.



This section gives information about the controls and displays that contribute to the daily operation of your vehicle. All the essential controls are within easy reach.

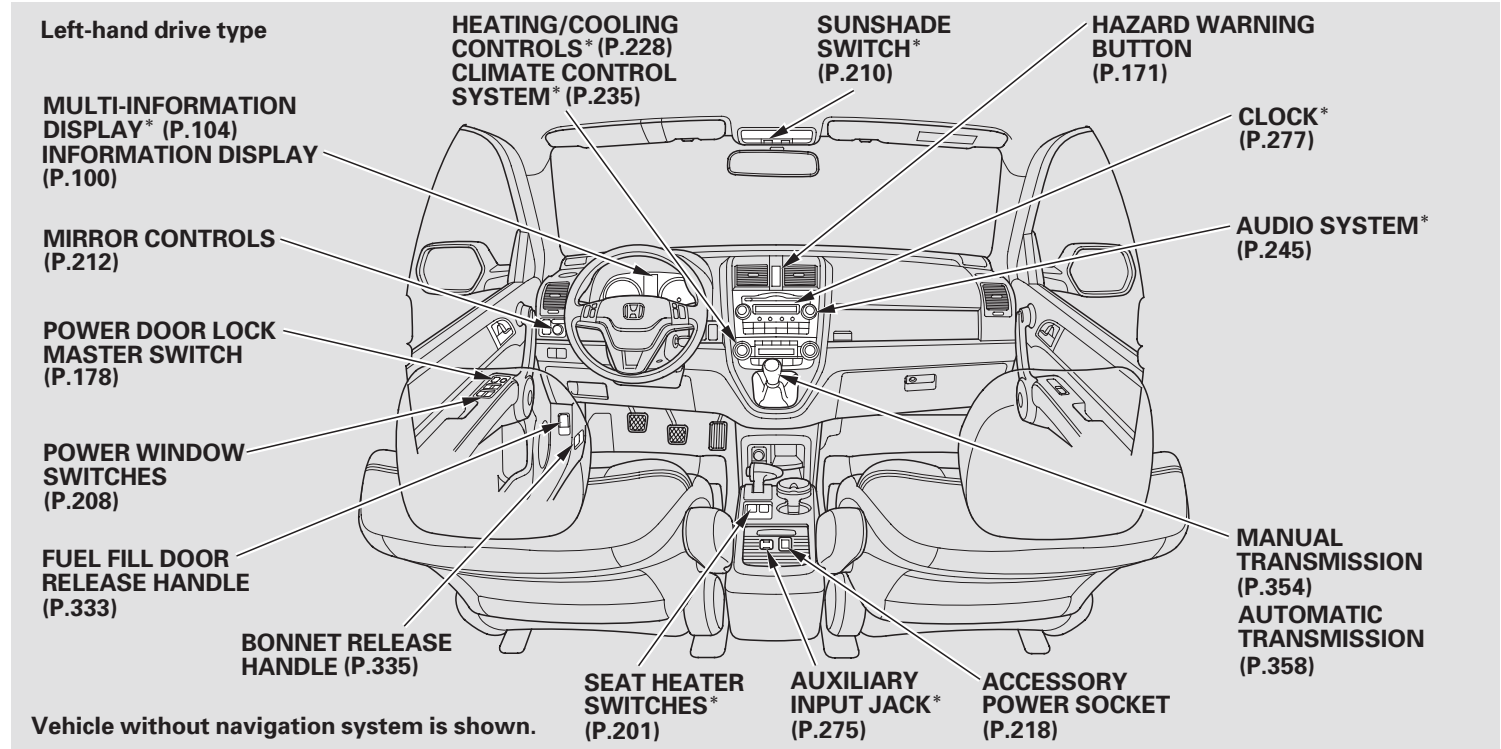
Control Locations .....	76
Instrument Panel .....	78
Instrument Panel Indicators.....	82
Gauges .....	97
Speedometer .....	99
Tachometer .....	99
Temperature Gauge.....	99
Fuel Gauge .....	99
Information Display.....	100
Odometer.....	100
Trip Meter .....	100
Current Fuel Mileage.....	101
Average Fuel Mileage.....	101
Range .....	101
Outside Temperature Indicator .....	102
Multi-information Display.....	104
Controls Near the Steering	
Wheel .....	158
Windscreen Wipers and Washers.....	160

Turn Signal and Headlights.....	164
Front and Rear Fog Lights.....	166
Adaptive Front Lighting System (AFS).....	168
Instrument Panel Brightness .....	170
Hazard Warning Button.....	171
Rear Window Demister .....	171
Headlight Adjuster .....	173
Steering Wheel Adjustments .....	174
Keys and Locks.....	175
Immobilizer System.....	176
Ignition Switch .....	177
Door Locks .....	178
Power Door Locks.....	178
Super Locking .....	180
Childproof Door Locks .....	181
Remote Transmitter.....	182
Tailgate .....	186
Seats .....	188
Driver's Seat Power Adjustments .....	188
Manual Seat Adjustments.....	189
Driver's Seat Height Adjustment .....	190
Armrests .....	191
Head Restraints .....	192

Reclining the Front Seats .....	194
Folding the Rear Seats Down ..	195
Folding the Rear Seat Forward .....	197
Detachable Anchor.....	199
Seat Heaters .....	201
Tonneau Cover.....	202
Dual Deck Luggage Shelf .....	205
Power Windows .....	208
Sunshades.....	210
Mirrors.....	212
Parking Brake .....	214
Interior Convenience Items.....	215
Lower Glove Box .....	216
Upper Glove Box .....	216
Beverage Holders.....	217
Accessory Power Sockets.....	218
Console Compartment .....	219
Sunglasses Holder .....	219
Conversation Mirror .....	220
Coat Hook.....	221
Sun Visor .....	221
Vanity Mirror .....	221
Cigarette Lighter .....	222
Ashtray.....	222
Interior Lights.....	223



# Control Locations



\* : If equipped

Right-hand drive type

HAZARD WARNING  
BUTTON  
(P.171)

CLOCK\*  
(P.277)

AUDIO SYSTEM\*  
(P.171)

HEATING/COOLING  
CONTROLS\*  
(P.228)  
CLIMATE CONTROL  
SYSTEM\*  
(P.235)

MANUAL TRANSMISSION (P.354)  
AUTOMATIC TRANSMISSION (P.358)

AUXILIARY INPUT  
JACK\* (P.275)

SUNSHADE SWITCH\*  
(P.210)

MULTI-INFORMATION DISPLAY\*  
(P.104)  
INFORMATION DISPLAY  
(P.100)

MIRROR CONTROLS  
(P.212)

POWER DOOR LOCK  
MASTER SWITCH  
(P.178)

POWER WINDOW  
SWITCHES  
(P.208)

FUEL FILL DOOR  
RELEASE HANDLE  
(P.333)

BONNET RELEASE  
HANDLE  
(P.335)

ACCESSORY POWER  
SOCKET (P.218)

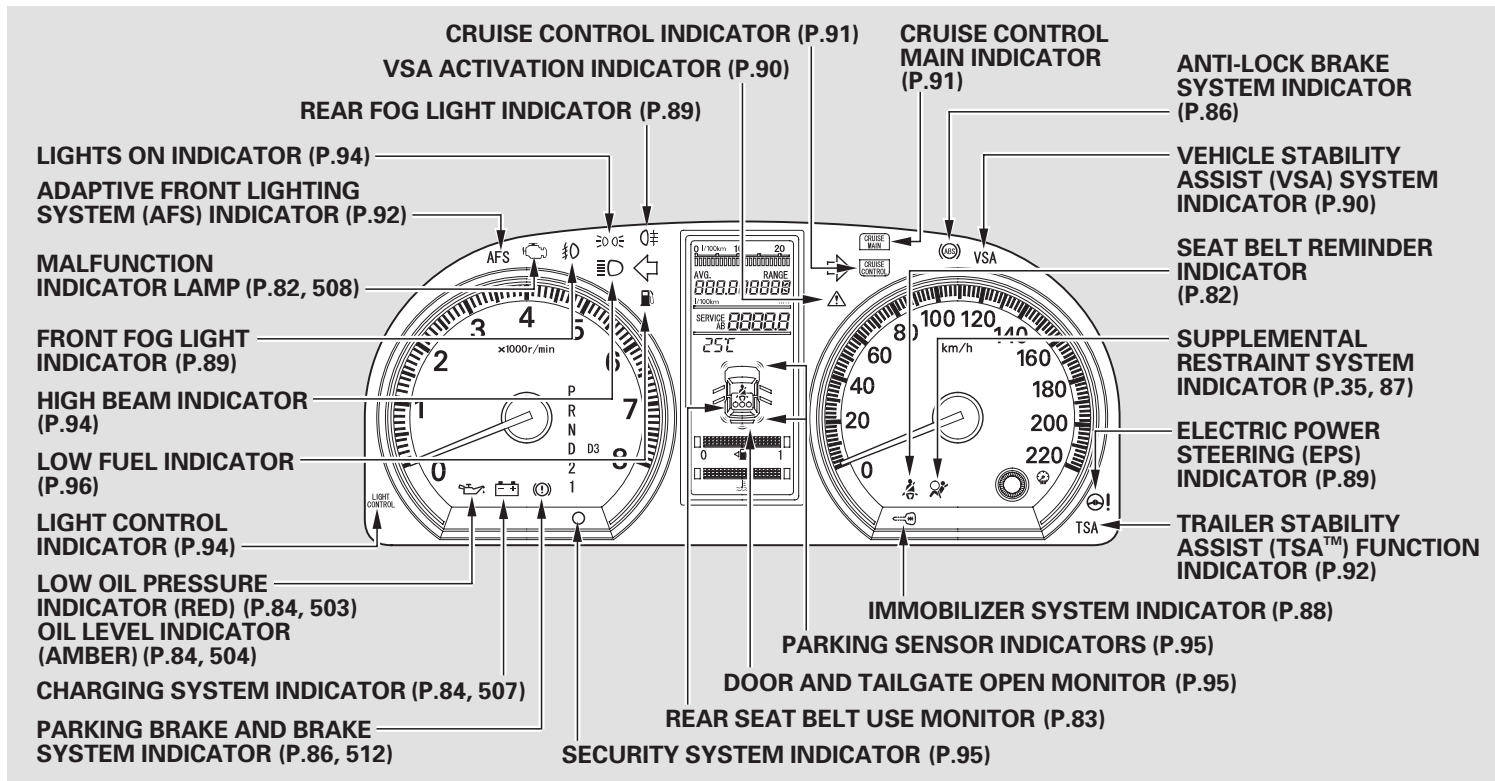
SEAT HEATER  
SWITCHES (P.201)

Vehicle without navigation system is shown.

\* : If equipped

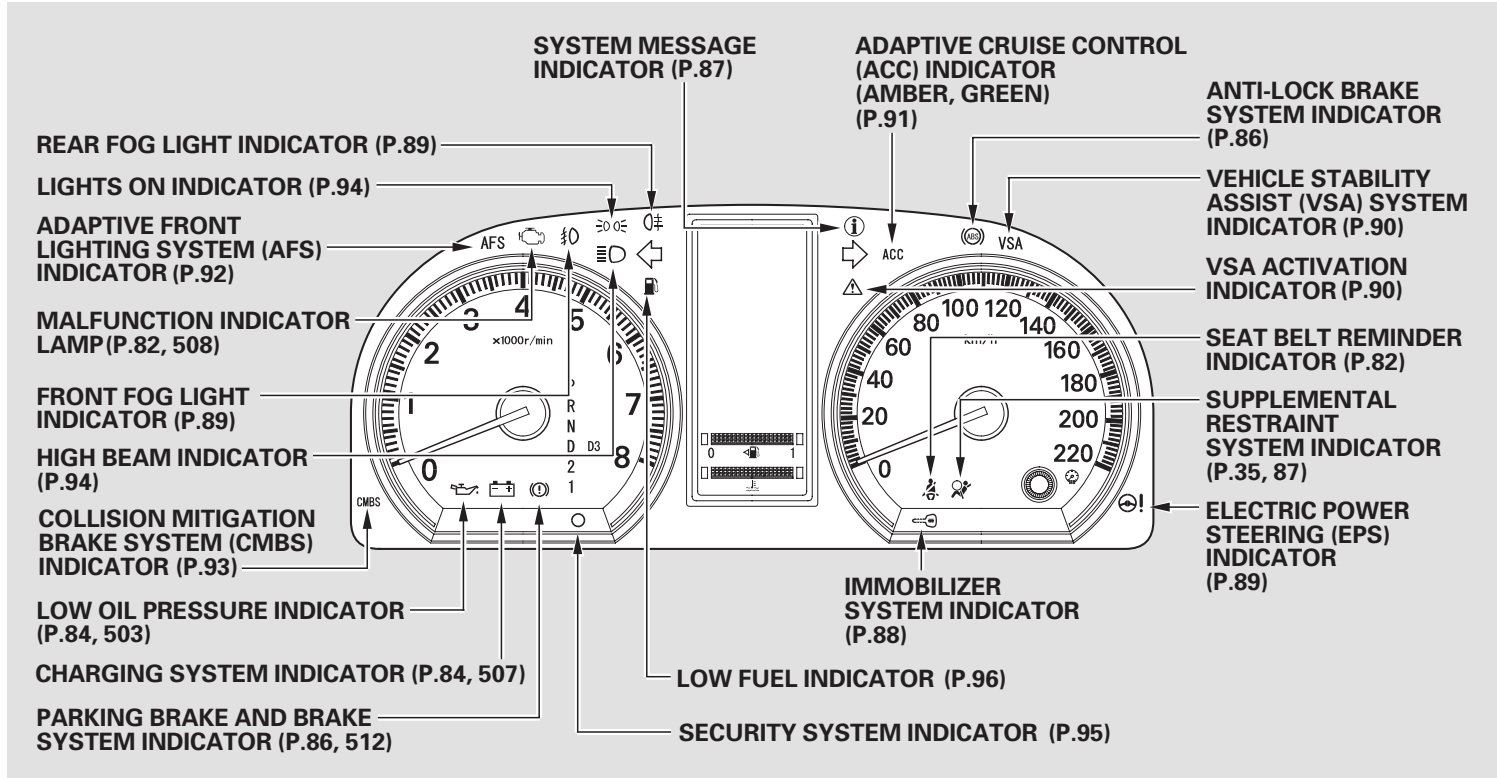
# Instrument Panel (Petrol models)

*On vehicle with information display*



Since the indicators vary in models, some indicators are not on your vehicle.

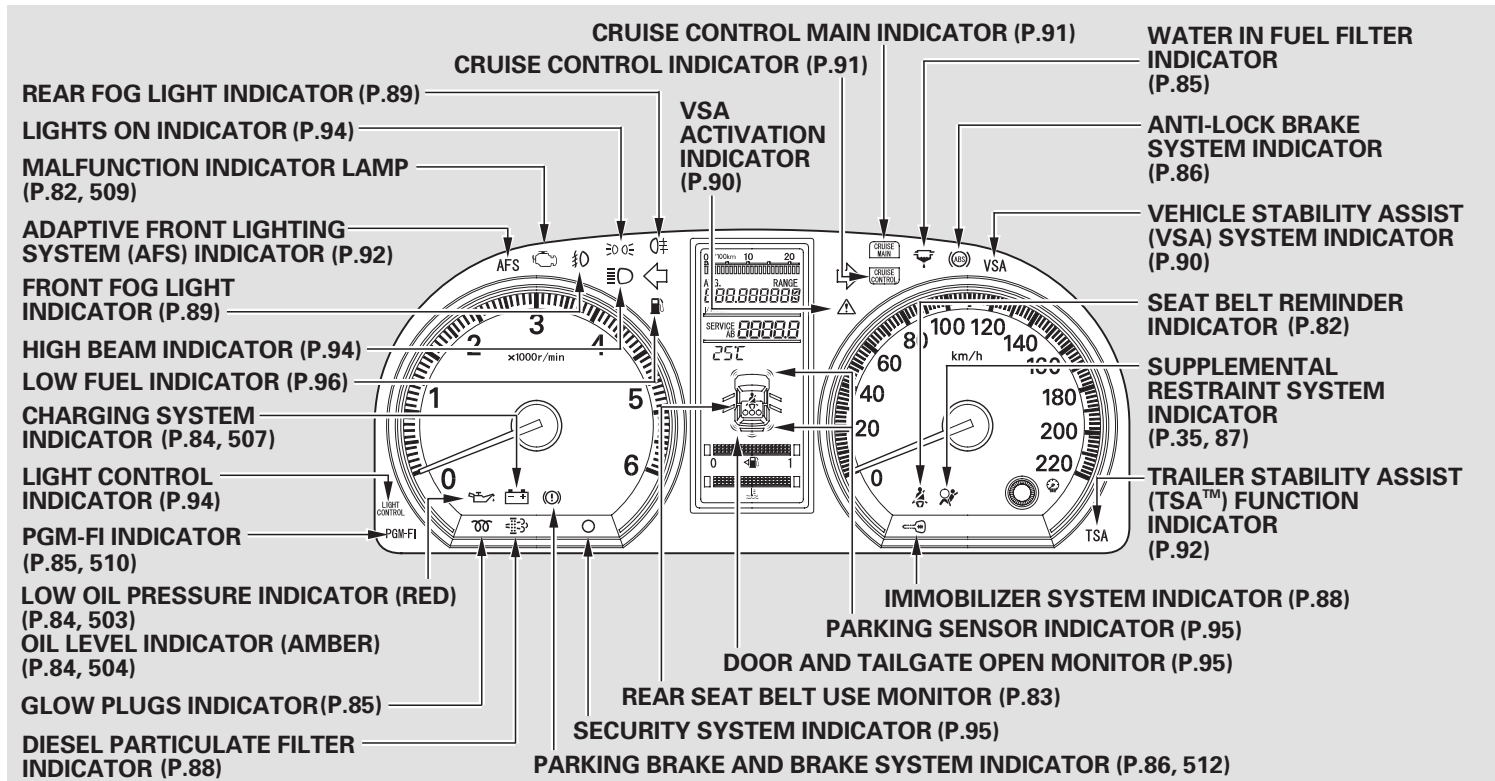
*On vehicle with multi-information display*



Since the indicators vary in models, some indicators are not on your vehicle.

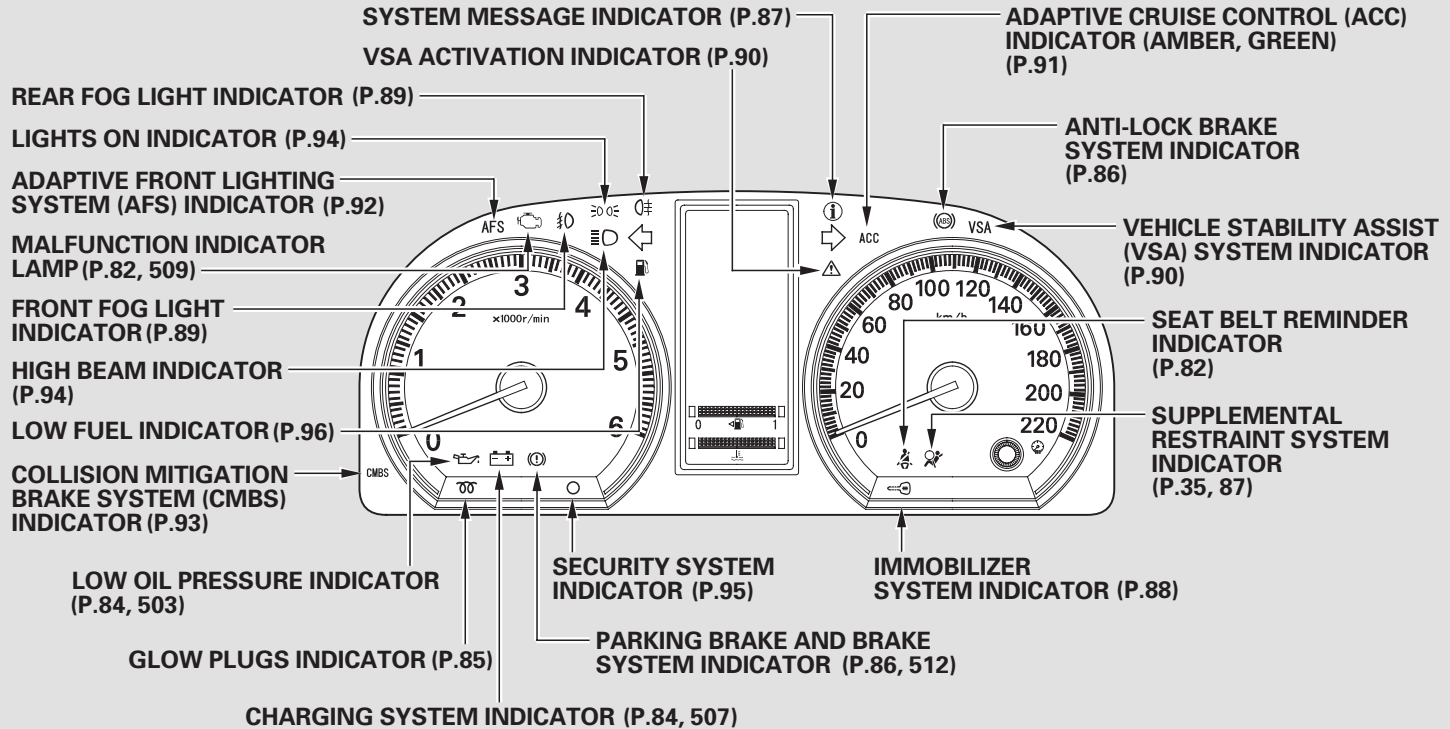
# Instrument Panel (Diesel models)

*On vehicle with information display*



Since the indicators vary in models, some indicators are not on your vehicle.

*On vehicle with multi-information display*



Since the indicators vary in models, some indicators are not on your vehicle.


# Instrument Panel Indicators

The instrument panel has many indicators to give you important information about your vehicle.



## Malfunction Indicator Lamp

See page 508 on petrol models and page 509 on diesel models.

You will also see the symbol “,” or this symbol with a “CHECK SYSTEM” message on the multi-information display (see page 122 ).

### *On Diesel models only*

This indicator will also come on when you restart the engine after your vehicle has run out of fuel (see page 461 ).



## Seat Belt Reminder Indicator

This indicator comes on when you turn the ignition switch to the ON (II) position. It reminds you and your passengers to fasten your seat belts. A beeper also sounds if you have not fastened your seat belt.



If you turn the ignition switch to the ON (II) position before fastening your seat belt, the beeper sounds and the indicator flashes. If you do not fasten your seat belt before the beeper stops, the indicator stops flashing but remains on.

If a front passenger does not fasten their seat belt, the indicator will come on about 6 seconds after the ignition switch is turned to the ON (II) position.

If either the driver or a front passenger does not fasten their seat belt while driving, the beeper will

sound and the indicator will flash again at regular intervals. For more information, see page 24 .

*On vehicles with multi-information display*

You will also see the symbol “” (for a driver)/“<sub>2</sub>” (for a front passenger), or this symbol with a “FASTEN YOUR SEAT BELT” or “FASTEN YOUR PASSENGER’S SEAT BELT” message in the multi-information display to remind you and your passengers to fasten your seat belts.

The seat belt system also monitors the seat belt use of all three rear seating positions according to the activation of each seat belt retractor.

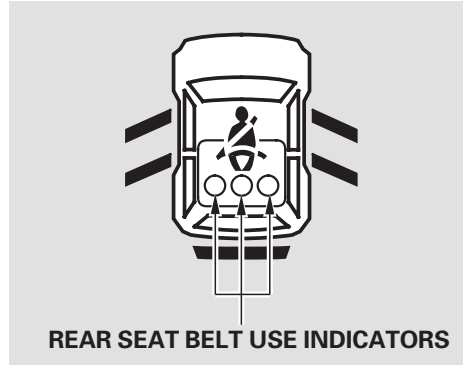
*On vehicles with information display*

The rear seat belt use monitor will show you the seat belt use (see page 83 ).

*On vehicles with multi-information display*

The centre display will show you the seat belt use on the rear seat (see page 115 ).

## Rear Seat Belt Use Monitor



*On vehicles with information display*

When you turn the ignition switch to the ON (II) position, the centre of the information display shows the rear seat belt use.

The above illustration shows all three rear seat belts used.

The seat belt system detects any seat belt use of all three rear seat seating positions according to the activation of each seat belt retractor. The highlighted indicators show you how many rear seat belts are being used and remind you and your passengers to fasten their seat belts.

### **WARNING**

**The seat belt indicator system judges the use of the seat belt based on the amount of seat belt pulled out from the retractor. It is not an indicator to show that the seat belt is actually latched. Correct latching of the seat belts should be confirmed whenever the indicator shows a seat belt is in use.**

If any indicator does not come on, there may be a problem with the system. If this happens, have your vehicle checked by your dealer.






## Low Oil Pressure Indicator (Red)

The engine can be severely damaged if this indicator comes on red and flashes or stays on when the engine is running. For more information, see page 503 .

*On vehicles with multi-information display*

You will also see the symbol “” or this symbol with an “OIL PRESSURE LOW” message on the multi-information display (see page 122 ).



## Oil Level Indicator (Amber)

*On vehicles with information display*  
If this indicator comes on amber when the engine is running, the engine oil level is low. You should check the oil level and add engine oil. For more information, see page 504 .

This indicator is used for 2 purposes.

1. Amber light — Low oil level as described above.
2. Red light — Low oil pressure. If the indicator comes on red, there may be serious engine damage.

Do not confuse these two different indicator meanings.

## NOTICE

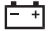
If you ignore the oil level indicator and keep driving with this indicator on, you can seriously damage the engine.

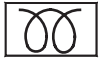


## Charging System Indicator

If this indicator comes on when the engine is running, the battery is not being charged. For more information, see page 507 .

*On vehicles with multi-information display*

You will also see the symbol “,” or this symbol with a “CHECK SYSTEM” message on the multi-information display (see page 125 ).



## **Glow Plugs Indicator (Diesel models only)**

This indicator comes on for a few seconds (several seconds in cold weather or at high altitudes) when you turn the ignition switch to the ON (II) position. When the engine is cold, wait for the indicator to go off before starting the engine.

If you experience any of the following symptoms, there may be a problem with the water temperature sensor of the fuel system. Have your vehicle inspected by your dealer.

- This indicator goes out faster than normal when the outside temperature is very low.
- It is hard to start the engine.

PGM-FI

## **PGM-FI Indicator (Diesel models only)**

*On vehicles with information display*  
If this indicator comes on, there is a problem with the engine control system. If this happens, have your vehicle checked by your dealer as soon as possible. If you ignore this indicator and continue driving, the engine control system will be seriously damaged. For more information, see page 510 .



## **Water In Fuel Filter Indicator (Diesel models only)**

*On vehicles with information display*  
If this indicator comes on, it means that water stays in the fuel system. This may cause damage to the fuel injection system. Contact your dealer as soon as possible and have the fuel filter checked to drain off water.




## Parking Brake and Brake System Indicator

This indicator has two functions:


1. It comes on when you turn the ignition switch to the ON (II) position. It is a reminder to check the parking brake. A beeper sounds if you drive with the parking brake not fully released. Driving with the parking brake not fully released can damage the brakes and tyres.

*On vehicles with multi-information display*

You will also see the symbol “,” or this symbol with a “RELEASE PARKING BRAKE” message in the multi-information display (see page 117).

2. If it remains lit after you fully release the parking brake while the engine is running, or if it comes on while driving, there could be a problem with the brake system. For more information, see page 512 .

*On vehicles with multi-information display*


You will also see the symbol “,” or this symbol with a “CHECK SYSTEM” message in the multi-information display (see page 122).



## Anti-lock Brake System (ABS) Indicator

This indicator normally comes on for a few seconds when you turn the ignition switch to the ON (II) position, and when the ignition switch is turned to the START (III) position. If it comes on at any other time, there is a problem with the ABS. If this happens, have your vehicle checked at a dealer. With this indicator on, your vehicle still has normal braking ability but no anti-lock function. For more information, see page 366 .

*On vehicles with multi-information display*

You will also see the symbol “,” or this symbol with a “CHECK SYSTEM” message on the multi-information display (see page 125).



## System Message Indicator

*On vehicles with multi-information display*

This indicator comes on when there is a system message in the multi-information display. Press the INFO button on the steering wheel to see the message (see page 105 ).

Most of the time, this indicator comes on along with other indicators in the instrument panel such as the seat belt reminder indicator, SRS indicator, VSA system indicator, etc.




## Supplemental Restraint System Indicator

This indicator comes on briefly when you turn the ignition switch to the ON (II) position. If it comes on at any other time, it indicates a potential problem with your front airbags. This indicator will also alert you to a potential problem with your side airbags, side curtain airbags, or automatic seat belt tensioners. For more information, see page 35 .

*On vehicles with collision mitigation brake system (CMBS)*

This indicator will also alert you to the seat belt e-pretensioners.

*On vehicles with multi-information display*

You will also see the symbol “  ,” or this symbol with a “CHECK SYSTEM” message on the multi-information display.



## Immobilizer System Indicator

This indicator comes on briefly when you turn the ignition switch to the ON (II) position. It will go off if you have inserted a properly-coded ignition key. If it is not a properly-coded key, the indicator will blink and the engine's fuel system will be disabled (see page 176).



## Diesel Particulate Filter (DPF) Indicator (Diesel models with DPF only)

*On vehicles with information display*

If this indicator blinks while the engine is running, the diesel particulate filter (DPF) should be regenerated to remove the accumulated particulate matter (PM).

To regenerate the DPF, when traffic allows, maintain a vehicle speed of at least 60 km/h (37 mph) and continue to drive until the indicator goes out (it may take up to about 10 minutes). This will increase the exhaust temperature and help to burn and remove the PM from the DPF.

If you ignore the indicator blinking, it stops blinking, then stays on. If this happens, take your vehicle to a Honda dealer as soon as possible to have the DPF system checked. If you ignore this indicator and continue driving, the DPF and your vehicle's emission control systems will be seriously damaged. For more information of the DPF system, see page 534.




## Electric Power Steering (EPS) Indicator

This indicator normally comes on when you turn the ignition switch to the ON (II) position and goes off after the engine starts. If it comes on at any other time, there is a problem in the electric power steering system.

If this happens, stop the vehicle in a safe place and turn off the engine. Reset the system by restarting the engine. The indicator will stay on, but should go off after driving a short distance. If it does not go off, or comes back on again while driving, take the vehicle to your dealer to have it checked. With the indicator on, the EPS may be turned off, making the vehicle harder to steer.

If you turn the steering wheel to the full left or right position repeatedly while stopping or driving at very low speed, you may feel slightly harder steering to avoid the damage from overheating of the steering gear box.

*On vehicles with multi-information display*

You will also see the symbol “!,” or this symbol with a “CHECK SYSTEM” message on the multi-information display (see page 126 ).



## Rear Fog Light Indicator

This indicator comes on when you turn on the rear fog light. See page 166 for information on operating the rear fog light.



## Front Fog Light Indicator (For some types)

This indicator comes on when you turn on the front fog lights. See page 167 for information on operating the front fog lights.

# Instrument Panel Indicators


## **Vehicle Stability Assist (VSA) System Indicator**

This indicator normally comes on for a few seconds when you turn the ignition switch to the ON (II) position, and when the ignition switch is turned to the START (III) position.

If it comes on and stays on at any other time, or if it does not come on when you turn the ignition switch to the ON (II) position, there is a problem with the VSA system. Take your vehicle to a dealer to have it checked. Without VSA, your vehicle still has normal driving ability, but will not have VSA traction and stability enhancement. See page 378 for more information on the VSA system.

This indicator may also come on if there is a problem with the trailer stability assist function (see page 390).

*On vehicles with multi-information display*


You will also see the symbol “,” or this symbol with a “CHECK SYSTEM” message in the multi-information display (see page 126).



## **VSA Activation Indicator**

This indicator has four functions:

1. It comes on as a reminder that you have turned off the vehicle stability assist (VSA) system.
2. It flashes when VSA is active (see page 378).
3. It flashes when trailer stability assist is activating (see page 390).

4. It comes on along with the VSA system indicator if there is a problem with the VSA system. You will also see the symbol “,” or this symbol with a “CHECK SYSTEM” message on the multi-information display (see page 126).

This indicator normally comes on for a few seconds when you turn the ignition switch to the ON (II) position, and when the ignition switch is turned to the START (III) position. See page 378 for more information on the VSA system.

**CRUISE  
MAIN**

## Cruise Main Indicator

*If equipped*

This indicator comes on when you turn on the cruise control system by pressing the CRUISE button (see page 282).

**CRUISE  
CONTROL**

## Cruise Control Indicator

*If equipped*

This indicator comes on when you set the cruise control. See page 282 for information on operating the cruise control.

**ACC**

## Adaptive Cruise Control (ACC) Indicator (Amber)

*If equipped*

This indicator normally comes on for a few seconds when you turn the ignition switch to the ON (II) position.

If the indicator comes on amber, there is a problem with the ACC system. You will also see the symbol “**ACC**” or this symbol with a “CHECK SYSTEM” message on the multi-information display. Take your vehicle to your dealer to have it checked. For more information, see page 285.

**ACC**

## Adaptive Cruise Control (ACC) Indicator (Green)

*If equipped*

When you push the ACC button on the steering wheel, this indicator comes on green. You will also see “ACC” on the multi-information display (see page 292).



TSA

## Trailer Stability Assist (TSA™) Function Indicator

*On vehicles with information display*

This indicator normally comes on for a few seconds when you turn the ignition switch to the ON (II) position. If it comes on at any other time, there is a problem with the trailer stability assist function. Have your vehicle checked by your dealer as soon as possible.

In this case, your vehicle still has the VSA traction and stability enhancement, but it will not have the trailer stability assist function. For more information, see page 390 .

AFS

## Adaptive Front Lighting System (AFS) Indicator (For some types)

This indicator normally comes on for a few seconds when you turn the ignition switch to the ON (II) position.

It comes on as a reminder that you have turned off the adaptive front lighting system (AFS) by pressing the AFS off switch (see page 169 ).

This indicator blinks when there is a problem with the AFS system.

*On vehicles with multi-information display*

You will also see the symbol “ **AFS** ” or this symbol with a “CHECK SYSTEM” message on the multi-information display.

If this happens, stop the vehicle in a safe place, turn the ignition switch to the ACCESSORY (I) or LOCK (0) position, and restart the engine. If the indicator blinks again, take your vehicle to a dealer to have it checked. For more information, see page 168 .


**CMBS**

## Collision Mitigation Brake System (CMBS) Indicator

*On vehicle with the adaptive cruise control system*

This indicator normally comes on for a few seconds when you turn the ignition switch to the ON (II) position. It also comes on as a reminder that you have turned off the collision mitigation brake system (CMBS) by pressing the CMBS off switch (see page 371 ).

The CMBS indicator also comes on if dirt or other debris blocks the radar sensor in the front grille. When you clean the radar sensor, the indicator should go off the next time you turn the ignition switch to the ON (II) position.

If the indicator comes on at any other time, there is a problem with the CMBS. You will also see the symbol “  ” or this symbol with a “CHECK SYSTEM” message on the multi-information display. If this happens, take your vehicle to a dealer, and have it checked. For more information, see page 368 . When this indicator is on, the CMBS is not working.



## Turn Signal and Hazard Warning Indicators

The left or right turn signal indicator blinks when you signal a lane change or turn. If an indicator does not blink or blinks rapidly, it usually means one of the turn signal bulbs is burned out (see page 432 ). Replace the bulb as soon as possible, since other drivers cannot see that you are signalling.

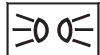
When you press the hazard warning button, both turn signal indicators and all turn signals on the outside of the vehicle will flash.

Your vehicle has the one-push turn signal feature to signal a lane change easily (see page 164 ).





## High Beam Indicator

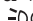
This indicator comes on with the high beam headlights. For more information, see page 164 .



## Lights On Indicator

This indicator reminds you that the exterior lights are on. It comes on when the light switch is in either the  or  position. If you turn the ignition switch to the ACCESSORY (I) or the LOCK (0) position without turning off the light switch, this indicator will remain on. A reminder chime will also sound when you open the driver's door without the key in the ignition switch.

*On vehicles with multi-information display*

You will also see the symbol “,” or this symbol with a “HEADLIGHTS ON” message on the multi-information display (see page 119 ).

*On vehicles with automatic lighting on feature*


This indicator also comes on when the light switch is in AUTO and the lights turn on automatically.



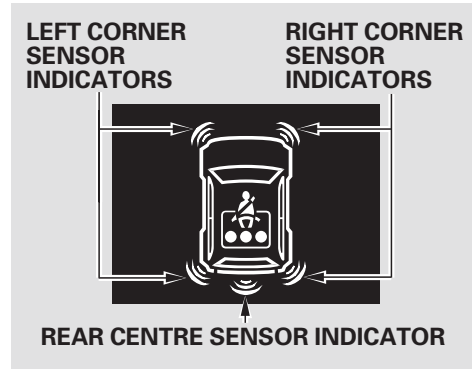
## Light Control Indicator (For some types)

*On vehicles with information display*  
This indicator normally comes on for a few seconds when you turn the ignition switch to the ON (II) position. If it comes on at any other time, there is a problem with the automatic lighting control system. Have your vehicle checked by your dealer as soon as possible.

*On vehicles with multi-information display*

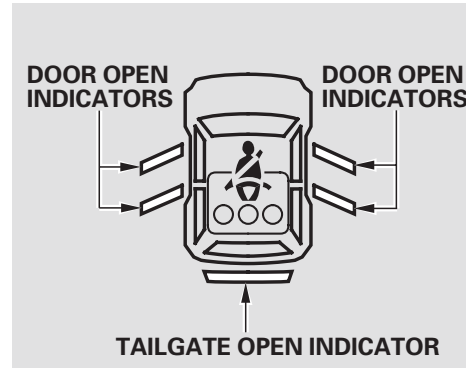
You will see the symbol “,” or this symbol with a “CHECK SYSTEM” message on the multi-information display if there is a problem with the automatic headlight control system.

## Parking Sensor Indicators (For some types)



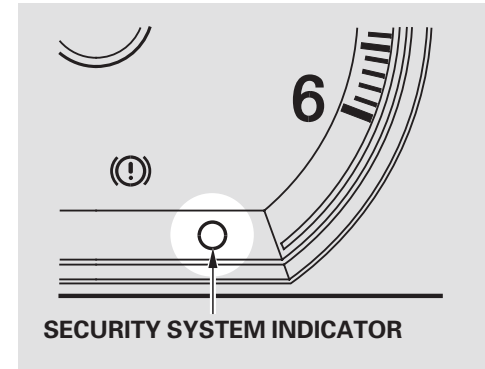
*On vehicles with information display*  
The appropriate indicator(s) in this monitor comes on or blinks when each four corner sensor and two rear centre sensors are activated. For more information of how to activate the parking sensors, see page 303 .

## Door and Tailgate Open Monitor



*On vehicles with information display*  
The appropriate indicator comes on in this display if the tailgate or any door is not closed tightly.

## Security System Indicator (For some types)




This indicator comes on when the security system is set. See page 279 for more information on the security system.



## Low Fuel Indicator

This indicator comes on as a reminder that you must refuel soon.

*On vehicle with multi-information display*

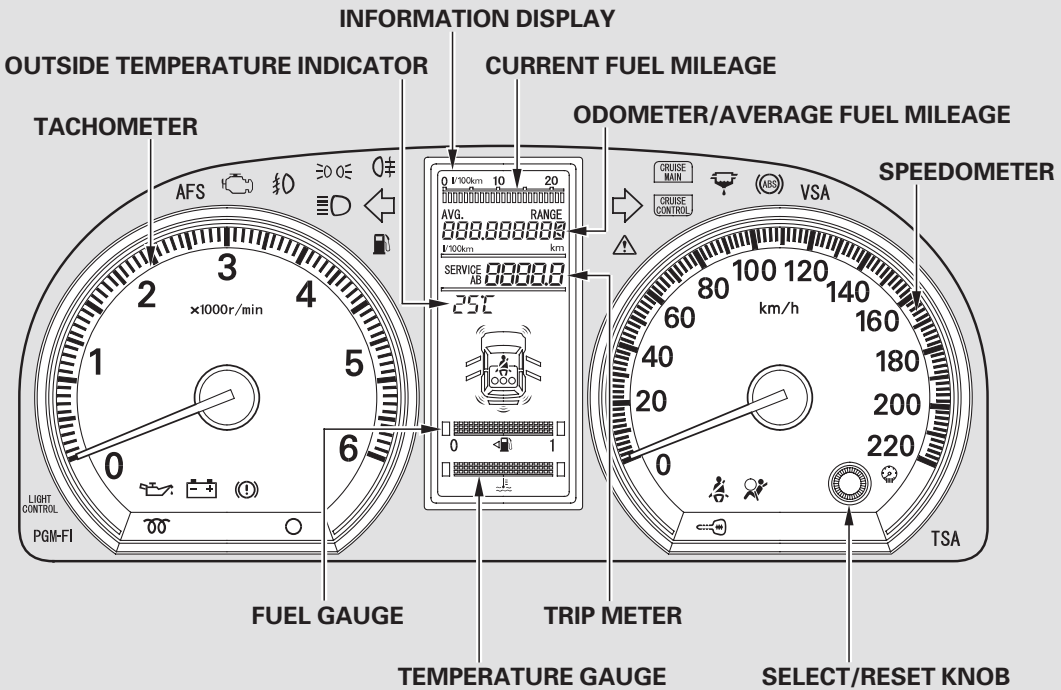
You will also see the symbol “,” or this symbol with “FUEL LOW” (petrol models) or “DIESEL FUEL LOW” (diesel models) message on the multi-information display.

When the indicator comes on, there is about 8.6 ℓ of fuel remaining in the tank before the reading reaches 0. There is a small reserve of fuel remaining in the tank when the reading reaches 0.

*On diesel models*

Refer to **Priming the Fuel System** on page 461 if your vehicle runs out of fuel.

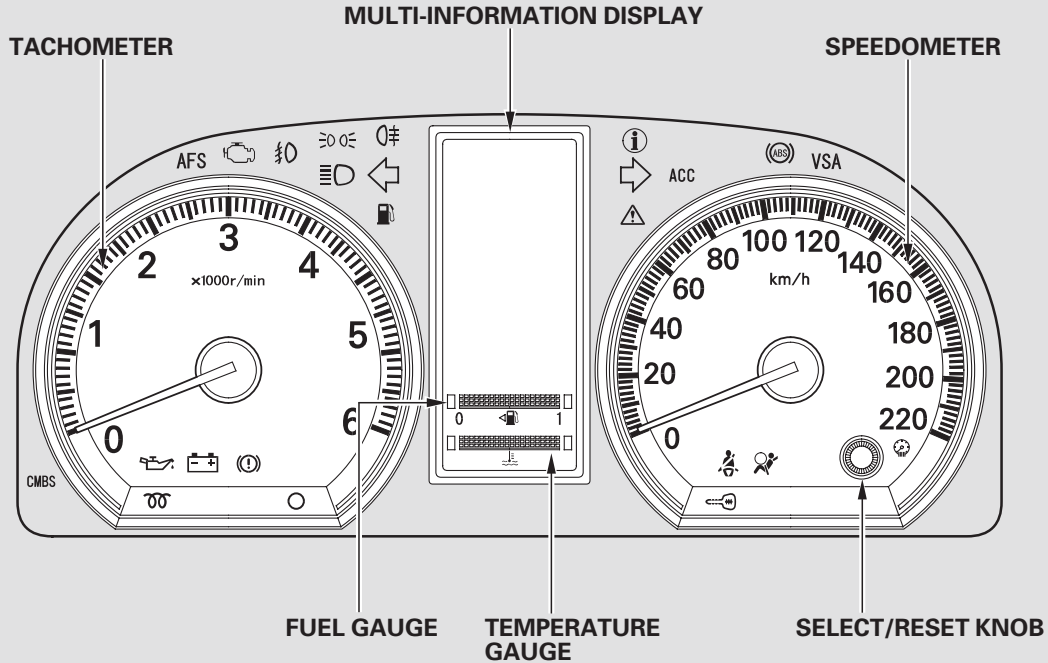
On vehicles with information display



Diesel model is shown.

# Gauges

*On vehicles with multi-information display*



Diesel model with navigation system is shown.

## Speedometer

This shows your speed in kilometers per hour (km/h) or miles per hour (mph) depending on the type.

You can set the vehicle speed alarm. For more information, see page 133 .

## Tachometer

The tachometer shows the engine speed in revolutions per minute (rpm). To protect the engine from damage, never drive with the tachometer needle in the red zone.

## Temperature Gauge

This shows the temperature of the engine's coolant. During normal operation, the reading should be in the middle of the gauge. In severe driving conditions, such as very hot weather or a long period of uphill driving, the reading may reach near the red mark. If it reaches the red (hot) mark, pull safely to the side of the road. Turn to page 499 on petrol models and page 501 on diesel models for instructions and precautions on checking the engine cooling system.

## Fuel Gauge

This shows how much fuel you have. It may show slightly more or less than the actual amount.

### NOTICE

*On petrol models only*  
Avoid driving with an extremely low fuel level. Running out of fuel could cause the engine to misfire, damaging the catalytic converter.

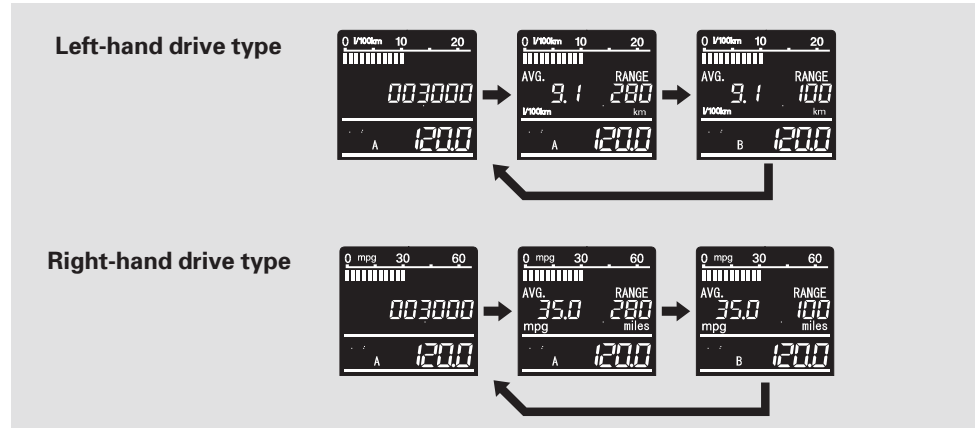
### NOTICE

*On diesel models only*  
The malfunction indicator lamp or the PGM-FI indicator will come on when you restart the engine after your vehicle has run out of fuel.



# Gauges

## Information Display (For some types)



The information display consists of three segments. The upper segment displays current fuel mileage, the second segment displays the odometer, average fuel mileage, range (estimated distance), and the lower segment displays the trip meter.

To switch the display, press and release the Select/Reset knob repeatedly. When you turn the ignition switch to the ON (II) position the last selection is displayed.

## *Odometer*

The odometer shows the total number of kilometers or miles your vehicle has been driven.

## *Trip Meter*

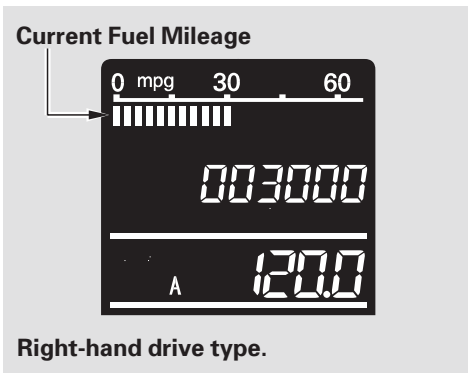
This meter shows the number of kilometers or miles driven since you last reset it.

There are two trip meters: Trip A and Trip B. Switch between these displays by pressing the Select/Reset knob repeatedly.

Each trip meter works independently, so you can keep track of two different distances.

To reset a trip meter, display it, and then press and hold the Select/Reset knob until the number resets to "0.0".

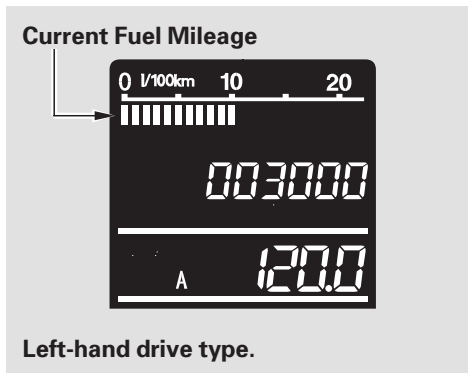
**Current Fuel Mileage**



**Right-hand drive type.**

This display shows the current, or instant fuel mileage you are getting. It shows the number of l/100 km (left-hand drive type) or mpg (right-hand drive type).

*On diesel models with DPF*  
The display may show a current fuel mileage reading higher than in normal driving while the particulate matter (PM) is burnt and removed



**Left-hand drive type.**

from the diesel particulate filter (DPF). For more information, see page 534 .

**Average Fuel Mileage**

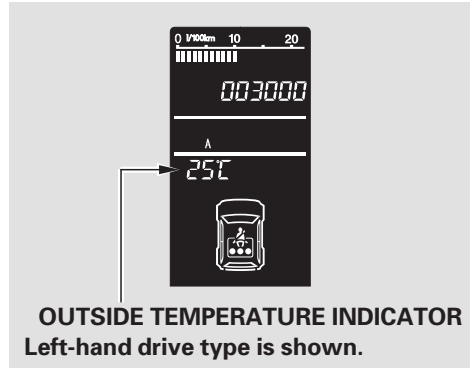
When either of the trip meters (trip A or B) is displayed, your vehicle's average fuel mileage since you last reset that trip meter can be shown on the information display (l/100 km on left-hand drive type and mpg on right-hand drive type). This number is updated once per 10 seconds. To see the average fuel mileage, press and release the Select/Reset knob repeatedly.

**Range (Estimated Distance)**

This display shows the estimated distance you can travel on the fuel remaining in the tank.

This distance is estimated from the fuel economy you have achieved over the last few kilometers (miles), so it will vary with changes in speed, traffic condition, etc.

## Outside Temperature Indicator



This indicator displays the outside temperature in Centigrade.

The temperature sensor is in the front bumper. Therefore, the temperature reading can be affected by heat reflection from the road surface, engine heat, and the exhaust from surrounding traffic. This can cause an incorrect temperature reading when your speed is under 30 km/h (19 mph).

The sensor delays the display update until it reaches the correct outside temperature. This may take several minutes.

If the outside temperature is incorrectly displayed, you can adjust it up to  $\pm 3^{\circ}\text{C}$  warmer or cooler.

**NOTE:** The temperature must be stabilized before doing this procedure.



To adjust the outside temperature display, press and hold the Select/Reset knob for 10 seconds. The display changes as shown above.

Select the outside temperature indicator by turning the Select/Reset knob. The display begins to blink. Push the same knob to enter this setting, then turn it to adjust the temperature. The following sequence will appear: 0, 1, 2, 3, -3, -2, -1, 0.

When it reaches the desired value, push the Select/Reset knob to enter the setting. You should see the new outside temperature displayed.

In certain weather conditions, temperature readings indicate near freezing ( $0^{\circ}\text{C}$ ) and the display starts blinking. This could mean that ice is forming on the road surface.

# Multi-Information Display

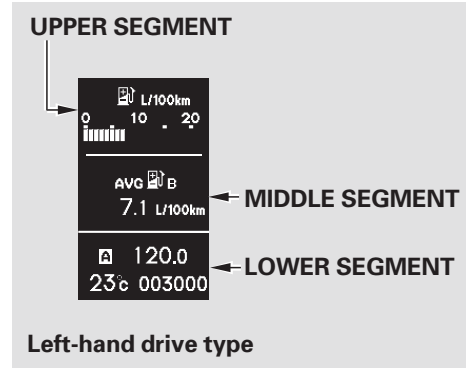
## *On vehicles with multi-information display*

The multi-information display between the speedometer and tachometer on the instrument panel displays various information and symbols/messages when the ignition switch is in the ON (II) position. Some of the indicators/messages help you operate your vehicle more effectively. Others keep you aware of the vehicle's condition for continued trouble-free driving.

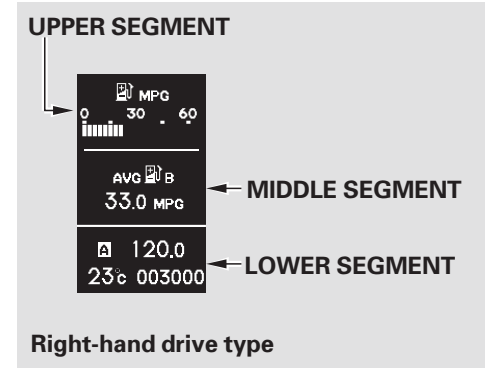
There are two types of symbols/messages: normal display symbols/messages and system warning symbols/messages.

You can select the displayed language and also customize some vehicle control settings to your liking with the multi-information display and the two buttons on the steering wheel (see page 105).

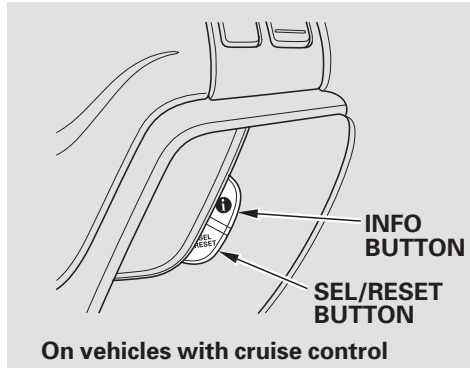
## Normal Display Symbols/ Messages



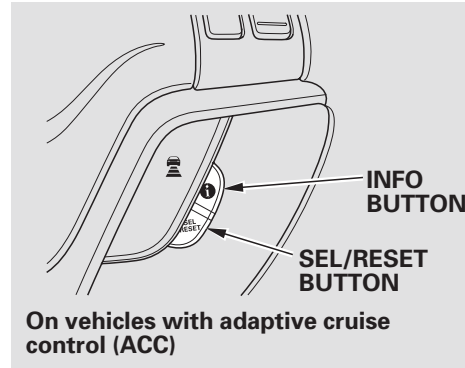
The multi-information display consists of an upper segment, a middle segment and a lower segment. Each segment can display two lines of messages.



In normal display mode, the upper and middle segments display the trip computer and the rear seat belt use, and the lower segment displays the odometer, trip meter, and outside temperature.



The trip computer consists of the current fuel mileage, the average fuel economy, the estimated distance, the elapsed time, and the average speed. The upper segment always displays one of the trip computer items as a primary display, and the middle segment shows what you last selected when you turn the ignition switch to the ON (II) position. You can customize it to your preference



(see page 148 ).

In the middle segment, the rear seat belt use is also displayed.

In the default setting, the upper display shows the current fuel mileage when you turn the ignition switch to the ON (II) position. The remaining trip computer items are displayed in the middle segment.

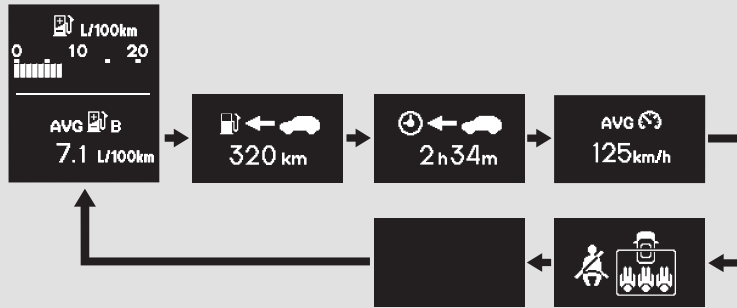
Each time you press the INFO button, the trip computer changes from the average fuel economy to the estimated distance to the elapsed time to the average speed and then to the rear seat belt use as shown on the next page.

If there is any system warning, system warning symbol(s) will be shown on the multi-information display following the speed alarm setting. The system warning symbol/message that has the highest priority will be displayed first when you turn the ignition switch to the ON (II) position.

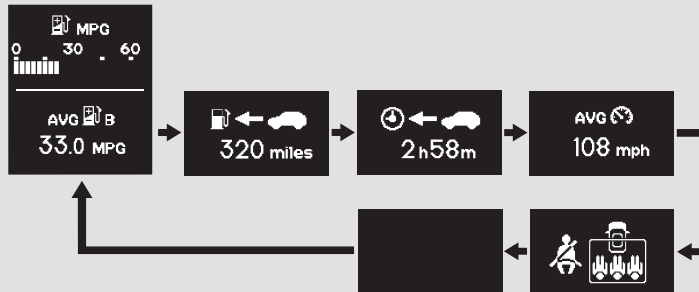
*CONTINUED*

# Multi-Information Display

## Left-hand drive type



## Right-hand drive type



If you select the blank display in the middle segment, the upper display will also change to the blank display.

Indicators in the trip computer show:


### *Left-hand drive type*

 L/100km : Your vehicle's current fuel mileage in kilometers per hour and l/100 km.


### *Right-hand drive type*


 MPG : Your vehicle's current fuel mileage in miles per hour and mpg.


The display may show a current fuel mileage reading higher than in normal driving while the particulate matter (PM) is burnt and removed from the diesel particulate filter (DPF). For more information, see page 534 .


 : The estimated distance you can travel on the fuel remaining in the tank.

This distance is estimated from the fuel economy you have achieved over the last few kilometers (miles), so it will vary with changes in speed, traffic condition, etc.

 : The time travelled since you last turned the ignition switch to the ON (II) position.

 : The average speed you are travelling is displayed in kilometres per hour (km/h) or miles per hour (mph) depending on the model.

 : Your vehicle's average fuel mileage since you last reset the trip computer A.

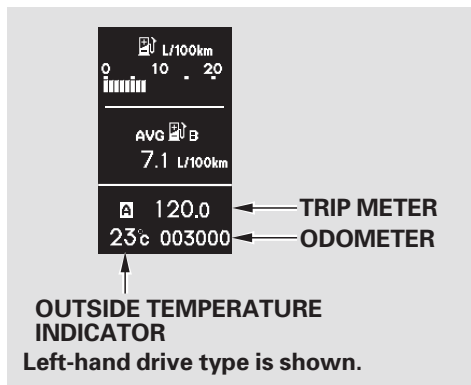
 : Your vehicle's average fuel mileage since you last reset the trip computer B.

The average fuel mileage is updated once per 10 seconds. When you reset a trip meter, the average fuel mileage for that trip meter also resets. To reset the values in the trip computer, press and hold the SEL/RESET button until the number resets to "0.0."

CONTINUED



# Multi-Information Display



The lower segment always shows the odometer, trip meter and the outside temperature in the normal display mode.

## *Odometer*

The odometer shows the total number of kilometers or miles your vehicle has been driven.

## *Trip Meter*

This meter shows the number of kilometers or miles driven since you last reset it.

There are two trip meters: trip A and trip B. To switch the display between them, press the SEL/RESET button repeatedly. When you turn the ignition switch to the ON (II) position, what you last selected is displayed.

Each trip meter works independently, so you can keep track of two different distances.

To reset a trip meter, display it, and then press and hold the SEL/RESET button until the number resets to “0.0.”

“AVG A” or “AVG B” will be displayed when the average fuel mileage is selected in the upper segment, depending on which trip meter (trip A or trip B) is displayed in the lower segment.

## ***Outside Temperature Indicator***

This indicator displays the outside temperature in degrees Centigrade.

The temperature sensor is in the front bumper. Therefore, the temperature reading can be affected by heat reflection from the road surface, engine heat, and the exhaust from surrounding traffic. This can cause an incorrect temperature reading when your speed is under 30 km/h (19 mph).

The sensor delays the display update until it reaches the correct outside temperature. This may take several minutes.

If the outside temperature is incorrectly displayed, you can adjust it by up to  $\pm 3^{\circ}\text{C}$  warmer or cooler (see page 146 ).

**NOTE:** The temperature must be stabilized before doing this procedure.

In certain weather conditions, temperature readings near freezing ( $0^{\circ}\text{C}$ ) could mean that ice is forming on the road surface. You will also see a caution symbol on the multi-information display (see page 119).

# Multi-Information Display

## System Warning Symbols

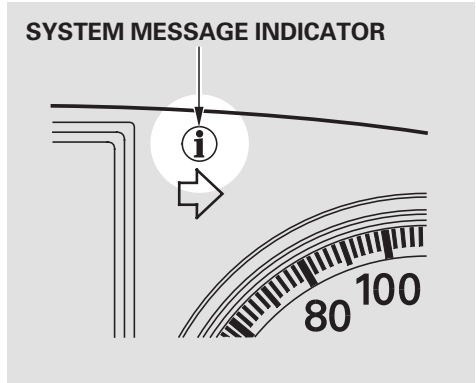
If there is a problem with your vehicle, for example, the engine oil level is low or a door is not fully closed, the multi-information display will show you the problem. It does this by interrupting the current display with one or more symbols/messages. Most of the symbols/messages are displayed for about 5 seconds, and then the current display returns. Some symbols/messages stay on until the problem is corrected.

When your vehicle is new, the multi-information display shows the system warning symbols without the message. This is the default setting when the vehicle leaves the factory. You can customize this setting to see the system warning symbols with messages (see page 145 ). Some symbols such as the low outside temperature, rear seat belt reminder indicator, etc., do not have a

message.






In this section, the system symbol without message is used in almost all examples, and the same symbol(s) are used for a message.






Usually, the symbols/messages are shown in the upper and middle segments. If the adaptive cruise control (ACC) or the collision mitigation brake system (CMBS) is selected, only the symbols are displayed in the middle segment and the ACC or CMBS information is displayed in the upper segment.








These symbols/messages also trigger the appropriate indicator(s) on the instrument panel and cause the system message indicator to come on. The system message indicator does not go off until the problem(s) are corrected.

The following pages describe each system warning symbol/message that can be displayed. Here is a list of all messages:






	See pages 122, 508 and 509.
	See pages 122 and 503.
	See pages 122 and 512.
	See pages 121 and 505.
	See pages 123 and 506.






	See pages 89 and 126.
	See pages 125 and 507.
	See pages 123 and 511.
	See pages 35 and 125.
	See pages 125 and 366.






	See pages 117 and 214.
	See pages 118 and 421.
	See pages 126 and 358.
	See pages 126 and 378.
	See pages 123 and 391.






*CONTINUED*




# Multi-Information Display

	See pages 24 and 114.
	See pages 24 and 114.
	See pages 25 and 115.
	See pages 127 and 168.
	See pages 128 and 285.

	See pages 291 and 301.
	See pages 286, 301 and 371.
	See pages 120 and 289.
	See pages 120 and 289.
	See pages 128 and 368.

	See page 369.
	See pages 128 and 303.
	See pages 124 and 535.
	See pages 124 and 536.
	See page 116.


	See pages 94 and 118.
	See pages 117 and 177.
	See pages 127 and 426.
	See pages 109 and 119.
	See pages 127 and 165.

	See pages 119 and 133.
	See pages 119 and 133.
	<i>Petrol models</i> See pages 96 and 118.
	<i>Diesel models</i> See pages 96 and 118.

# Multi-Information Display


## Fasten Seat Belt



In addition to the seat belt reminder indicator in the instrument panel, the current display is interrupted and the multi-information display shows this symbol “,” or this symbol with a “FASTEN SEAT BELT” message if you do not fasten your seat belt while driving. This symbol/message remains displayed if you ignore it and do not wear your seat belt while the vehicle is moving.

## Fasten Passenger Seat Belt



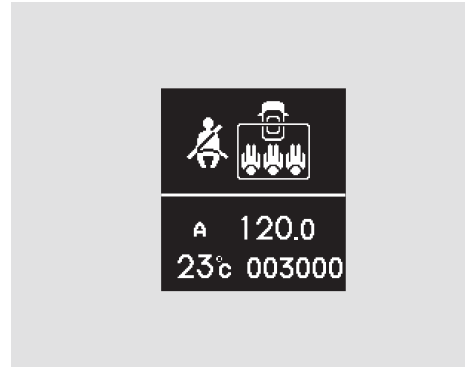
The multi-information display also interrupts the current display and shows this symbol “,” or this symbol with a “FASTEN PASSENGER SEAT BELT” message if a front seat passenger does not fasten their seat belt while driving. This symbol/message remains displayed if a passenger ignores it and does not wear the seat belt while the vehicle is moving.

For more information of the seat belt reminder indicator, see page 24 .

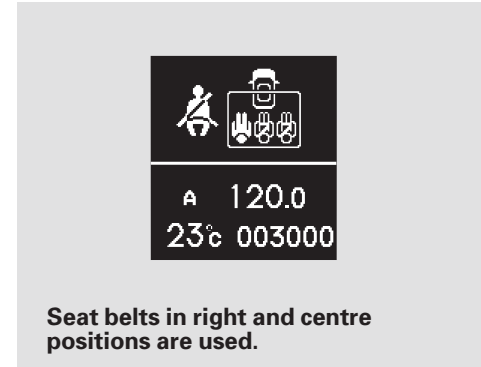
## Rear Seat Belt Use Monitor

When you turn the ignition switch to the ON (II) position, the middle segment of the multi-information display shows the rear seat belt use.

This monitor goes off after about 30 seconds. It will also go off when you change the display by pressing the INFO button (i) on the steering wheel.



The seat belt system detects any seat belt use of all three rear seat seating positions according to the activation of each seat belt retractor.



**Seat belts in right and centre positions are used.**

The system shows you how many rear seat belts are being used and reminds you and your passengers to fasten their seat belts. According to the rear seat belt use (1 through 3), you will see the indicator(s) highlighted on the right side of the middle segment.

*CONTINUED*



## ⚠ WARNING

The seat belt indicator system judges the use of the seat belt based on the amount of seat belt pulled out from the retractor. It is not an indicator to show that the seat belt is actually latched. Correct latching of the seat belts should be confirmed whenever the indicator shows a seat belt is in use.

While driving, you can also confirm the rear seat belt use. Press and release the INFO button (i) repeatedly to change the display.



If the system cannot detect the seat belt use, you will see three dashes. Turn the ignition switch to the LOCK (0) position to reset the system. If this happens, the SRS indicator also comes on. Have your vehicle checked by your dealer (see page 35).

## Door and Tailgate Open



This shows all doors and tailgate open.

If the tailgate or any door(s) is not closed tightly, this monitor display indicates you which door or the tailgate is not closed tightly, and reminds you to close the tailgate or the door(s) before you start driving. This display continues until you close the door(s) and the tailgate.

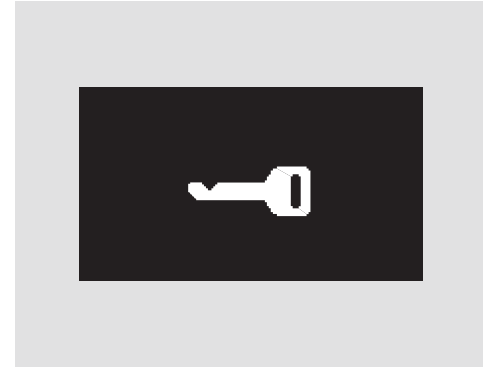
Pressing the INFO button on the steering wheel momentarily changes the display, but it will come back after about 5 seconds.

## Release Parking Brake



If you start driving without releasing the parking brake, the current display is interrupted and the multi-information display shows this symbol, or this symbol with a “RELEASE PARKING BRAKE” message. This symbol/message continues, and a chime sounds, until you release the parking brake.

## Ignition Key



If you leave the key in the ignition switch in the LOCK (0) or ACCESSORY (I) position and open the driver’s door, you will see this symbol, or this symbol with/a “IGNITION KEY” message in the display and hear a reminder beeper.

# Multi-Information Display

## Brake Fluid Low



If the brake fluid level is at or below the MIN mark on the side of the brake fluid reservoir in the engine compartment, you will see this symbol, or this symbol with a “BRAKE FLUID LOW” message. If you see this message, have the brake system checked by your dealer (see page 421).

## Fuel Low



### *On petrol models*

If the level of the fuel in the tank gets low, you will see this symbol, or this symbol with a “FUEL LOW” message on the display, and you must refuel soon. The low fuel indicator in the instrument panel will also come on (see page 96).

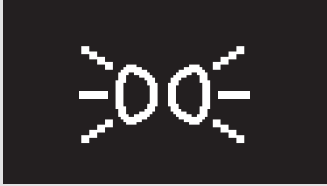
## Diesel Fuel Low



### *On diesel models*

If the level of the fuel in the tank gets low, you will see this symbol, or this symbol with a “DIESEL FUEL LOW” message on the display, and you must refuel soon. The low fuel indicator in the instrument panel will also come on (see page 96).

## Headlights On



If you turn the ignition switch to the ACCESSORY (I) or LOCK (0) position without turning off the headlights or position lights, and open the driver's door, you will see this symbol, or this symbol with a "HEADLIGHTS ON" message on the display. The lights on indicator in the instrument panel also comes on and stays on. You will also hear a reminder chime.

## Speed Alarm



**Alarm at vehicle speed 80 km/h is set.**

If you set the speed alarm function in the custom settings, you will see this indicator and hear a beep when the vehicle speed reaches the set speed. You can set two different speeds for the alarm. For more information to set the speed alarm, see page 133 .

## Low Outside Temperature

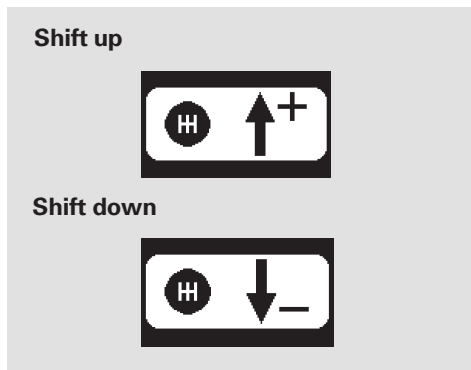


If the outside temperature is very low (near freezing) and there is a risk that the road surface is iced over, you will see this symbol on the multi-function display. For more information of the outside temperature indicator, see page 109 .

# Multi-Information Display

---

## Shift Up/Shift Down Indications



*On vehicles with adaptive cruise control (ACC)*

*Manual transmission only*

Either the shift up or shift down indication comes on to show you the appropriate time to change a higher or lower gear when the adaptive cruise control system is activated.

For more information, see page 289 .

## ***System Warnings***

The following symbols/messages indicate various problems in your vehicle's systems.

You will also hear a beep when the symbol or the symbol with a message is displayed on the multi-information display at the first time.

## Check Engine Oil Level



If this symbol or this symbol with a “CHECK ENGINE OIL LEVEL” message comes on on the multi-information display when the engine is running, the engine oil level is low. You will also hear a beep with this symbol/message on. You should check the oil level and add engine oil. For more information, see page 505 .

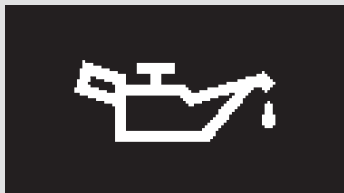
## **NOTICE**

If you ignore the oil level symbol/message and keep driving with this symbol/message on, you can seriously damage the engine.

*CONTINUED*

# Multi-Information Display

## Oil Pressure Low



If the engine oil is very low or has lost pressure, you will see this symbol or this symbol with an “OIL PRESSURE LOW” message on the multi-information display. You will also see the low oil pressure indicator in the instrument panel flashing or staying on. If you see this symbol/message, you should take immediate action since serious engine damage is possible. Follow the procedure on page 503.

## Check System (Engine)



If you see this symbol or this symbol with a “CHECK SYSTEM” message on the multi-information display, it means one of the engine’s emissions systems may have a problem. Have your vehicle checked by a dealer (see page 508 on petrol models and page 509 on diesel models).

## Check System (Brake)



If there is a problem with the brake system (including the front-to-rear parking distribution system), you will see this symbol or this symbol with a “CHECK SYSTEM” message on the multi-information display. The parking brake and brake system indicator in the instrument panel will also come on. For more information, see page 512.

## Check System (Engine Oil Level Sensor)



If there is a problem with the engine oil level sensor system, you will see this symbol or this symbol with a “CHECK SYSTEM” message on the multi-information display. If you ignore this symbol/message and continue driving, the system will be seriously damaged. For more information, see page 506.

## Check System (PGM-FI)



### *Diesel models only*

If there is a problem with the engine control system, you will see this symbol or this symbol with a “CHECK SYSTEM” message on the multi-information display. If you ignore this symbol/message and continue driving, the engine control system will be seriously damaged. For more information, see page 511.

## Check System (Trailer Stability Assist)



If there is a problem with the brake lighting system, the trailer stability assist function shuts down and you will see this symbol or this symbol with a “CHECK SYSTEM” message on the multi-information display. For more information of the trailer stability assist function, see page 390.

*CONTINUED*



# Multi-Information Display

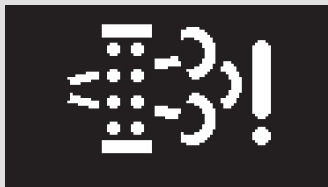
## DPF (Regeneration Required)



### *Diesel models with DPF (Diesel Particulate Filter)*

If you see this symbol or this symbol with a “DPF REGENERATION REQUIRED” message on the multi-information display while the engine is running, it means the diesel particulate filter (DPF) should be regenerated to remove the accumulated particulate matter (PM). For more information on the DPF system, see page 534 .

## DPF (Check System)

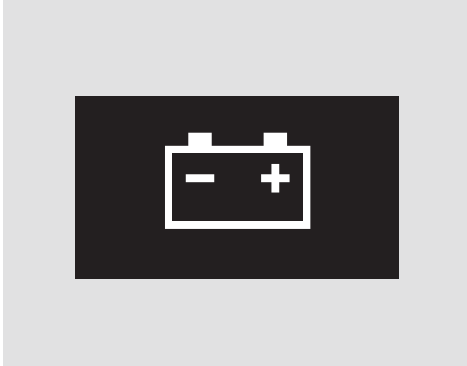


### *Diesel models with DPF (Diesel Particulate Filter)*

If you see this symbol or this symbol with a “CHECK SYSTEM” message on the multi-information display while the engine is running, it means the diesel particulate filter (DPF) is clogged with accumulated particulate matter (PM) and it should be checked, then repaired or replaced. Take your vehicle to a Honda dealer as soon as possible.

If you ignore this symbol/message and continue driving, the DPF and your vehicle’s emission control systems will be seriously damaged. For more information on the DPF system, see page 534 .

## Check System (Charging System)



If you see this symbol or this symbol with a “CHECK SYSTEM” message on the multi-information display, it means the battery is not being charged. For more information, see page 507 .

## Check System (Airbag System)



If there is a problem with your front airbags, side airbags, automatic seat belt tensioners, or side curtain airbags, you will see this symbol or this symbol with a “CHECK SYSTEM” message on the multi-information display. Take your vehicle to a dealer as soon as possible (see page 35 ).

## Check System (ABS System)



If there is a problem with the anti-lock brake system (ABS), you will see this symbol or this symbol with a “CHECK SYSTEM” message on the multi-information display. Have your vehicle checked by a dealer (see page 86 ).

*CONTINUED*

# Multi-Information Display

## Check System (Automatic Transmission)



*On vehicles with automatic transmission*  
If there is a problem with the automatic transmission, you will see this symbol or this symbol with a “CHECK SYSTEM” message on the multi-information display. Avoid rapid acceleration, and have the transmission checked by a dealer as soon as possible.

## Check System (EPS) (For some types)



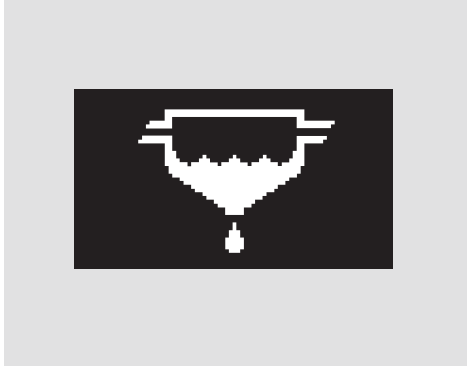
If there is a problem with the electric power steering (EPS) system, you will see this symbol or this symbol with a “CHECK SYSTEM” on the multi-information display. The EPS system indicator in the instrument panel will also come on. If you see this symbol/message, have the EPS system checked by your dealer. For more information, see page 89 .

## Check System (VSA)



If there is a problem with the vehicle stability assist (VSA) system, you will see this symbol or this symbol with a “CHECK SYSTEM” message on the multi-information display. The VSA system and VSA activation indicators in the instrument panel will also come on. If you see this symbol/message, have the VSA system checked by your dealer. For more information, see page 378 .

## Water In Fuel Filter



### *Diesel models only*

If this symbol or this symbol with a “WATER IN FUEL FILTER” shows on the multi-information display, water stays in the fuel system which may cause damage to the fuel injection system. Contact your dealer as soon as possible and have the fuel filter checked to drain off water.

## Check System (Automatic Headlights On)



### *On vehicles with automatic lighting feature*

If you see this symbol or this symbol with a “CHECK SYSTEM” message on the multi-information display, it means there is a problem with the automatic headlights on control system. If you see this symbol/ message, have the vehicle checked by your dealer as soon as possible.

## Check System (Adaptive Front Lighting System) (For some types)



If there is a problem with the adaptive front lighting (AFS) system, the AFS indicator comes on in the instrument panel and you will also see this symbol or this symbol with a “CHECK SYSTEM” message on the multi-information display. For more information, see page 168 .

*CONTINUED*

# Multi-Information Display

Check System (Adaptive Cruise Control)  
(For some types)



If there is a problem with the adaptive cruise control (ACC) system, the ACC indicator comes on amber in the instrument panel and you will also see this symbol or this symbol with a “CHECK SYSTEM” message on the multi-information display. For more information, see page 285 .

Check System (Collision Mitigation Brake System)  
(For some types)



If there is a problem with the collision mitigation brake system (CMBS), the CMBS indicator comes on in the instrument panel and you will also see this symbol or this symbol with a “CHECK SYSTEM” message on the multi-information display. For more information, see page 368 .

Check System (Parking Sensor System)  
(For some types)



If there is a problem with the parking sensor system, you will see this symbol or this symbol with a “CHECK SYSTEM” message on the multi-information. Have the parking sensor system checked by your dealer. For more information of how to activate the parking sensors, see page 303 .

## Customized Settings

You can customize some of the vehicle control settings to suit your needs. The table shows the settings you can customize.

Group Setup	Menu Item		Description	Setting Option	Page
SPEED ALARM (P.133)	SPEED ALARM 1 (ON/OFF, Setting)		Sets the speed alarm on and changes the alarm speed setting.	ON/OFF** <sup>2</sup> over 5 km/h (mph) with 5 km/h (mph) steps	133
	SPEED ALARM 2 (ON/OFF, Setting)				
	SPEED ALARM 1 (ON/OFF)* <sup>1</sup>		Sets the speed alarm on.	ON/OFF** <sup>2</sup>	136
	SPEED ALARM 2 (ON/OFF)* <sup>1</sup>				
CHG SETTING (P.138)	ACC SETUP	PRE-RUNNING CAR DETECT BEEP	Sets the beep to sound when the system detects a vehicle ahead of you.	ON/OFF** <sup>2</sup>	141
		ACC DISPLAY SPEED UNIT	Changes the displayed measurement with the ACC on.	km/h* <sup>3</sup> mph* <sup>3</sup>	142
	METER SETUP	WARNING MESSAGE	Switches warning message to be displayed or not.	ON/OFF** <sup>2</sup>	145
		ADJUST OUTSIDE TEMP. DISPLAY	Changes the outside temperature reading above or below its current reading.	up to $\pm 3^{\circ}\text{C}$ $0^{\circ}\text{C}$ * <sup>2</sup>	146
		PRIMARY DISP. SELECTION	Changes the primary displayed trip computer item in the upper segment.	Current fuel mileage* <sup>2</sup> , Average fuel mileage, Elapsed time, Range, Average speed	148
		TRIP A RESET WITH REFUEL	Causes trip meter A and the average fuel economy to reset when you refuel.	ON/OFF** <sup>2</sup>	150
		ELAPSED TIME RESET	Resets the elapsed time of your current trip.	IGN OFF** <sup>2</sup> , TRIP A, TRIP B	151

\* 1 : Setting is available while driving.

\* 2 : Factory default setting

\* 3 : Default setting is what you last selected.

*CONTINUED*

# Multi-Information Display

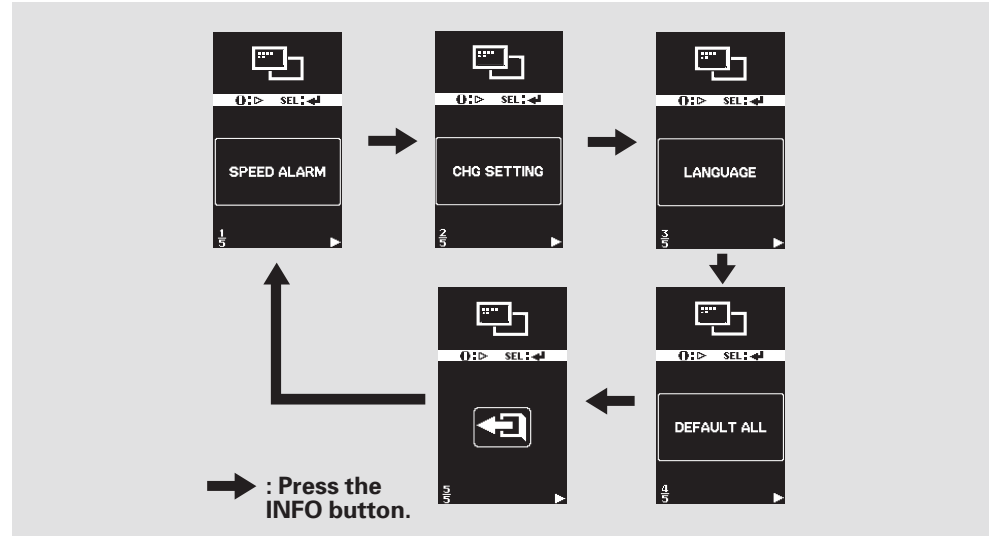
---

Group Setup	Menu Item	Description	Setting Option	Page
LANGUAGE (P.154)		Changes the language used in the display.	ENGLISH*, ITALIAN, SPANISH, GERMAN, FRENCH, PORTUGUESE	154
DEFAULT ALL (P.155)		Resets all customized settings to the factory default.	CANCEL* OK	155

\* : Factory default setting

To enter the customizing mode, the vehicle must be stopped with the ignition switch in the ON (II) position and the parking brake is set on vehicles with manual transmission. If your vehicle has the automatic transmission, the shift lever should be in park. (Exceptionally, this condition is not applied on some speed alarm settings.) Press and hold the INFO button (i) on the steering wheel for about 3 seconds while the multi-information display is in its normal display. Here are the settings you can customize.

- **SPEED ALARM:** To set the speed alarm (see page 133).
- **CHG SETTING:** To change vehicle control settings (see page 138).
- **LANGUAGE:** To select language (see page 154).



- **DEFAULT ALL:** To return to the default settings (see page 155).

Each time you press the INFO button, the display switches from “SPEED ALARM”, “CHG SETTING”, “LANGUAGE”, “DEFAULT ALL”, “EXIT”, and then back to “SPEED ALARM” as shown above.

*CONTINUED*




# Multi-Information Display

If you set the alarm to the specified vehicle speed while driving, select “SPEED ALARM,” and refer to page 133 . Exceptionally, you can also select the specified speed alarm while driving.

If you want to change any vehicle control settings, select “CHG SETTING,” and follow the instructions on page 138 .

If you want the settings as they were when the vehicle left the factory, select “DEFAULT ALL,” as described on page 155 .

Use the INFO button (  ) on the steering wheel to see and scroll through the settings, and the SEL/RESET button to enter your selections.

If you do not select any settings on the display after you press the INFO button and the setting menu is displayed, the customizing mode display will return to the normal display after about 10 seconds.



If you try to start driving while customizing the settings, you will see the above display a few seconds and then the customizing will be cancelled.

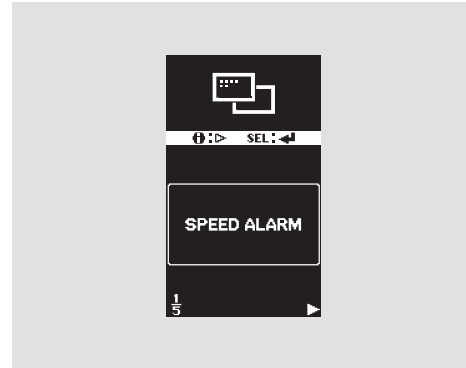
Customizing is also cancelled, if you turn the ignition switch out of the ON (II) position or release the parking brake (M/T) or move the shift lever out of Park (A/T).

If you select  and press the SEL/RESET button, the normal display is shown again.

## Speed Alarm

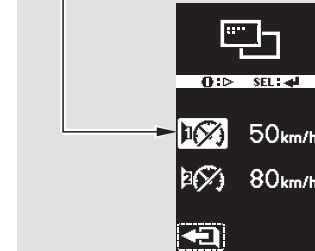
You can access different alarm functions when the vehicle is stopped or while driving. While driving, you can select either of the two speed alarm settings. When your vehicle is stopped, you can customize the setting speed to your preference.

*To set the speed alarm while the vehicle is stopped:*



Press and hold the INFO button to enter the customizing mode, then press and release the INFO button repeatedly to select “SPEED ALARM.” While the multi-information display is showing “SPEED ALARM,” press the SEL/RESET button. The display changes to the setting mode.

**Speed setting 1 off is selected.**




On the left-hand drive type, you can set the speed alarm in km/h. On the right-hand drive type, you can set the speed alarm in mph. The two speed selections and the on/off setting icons are displayed.

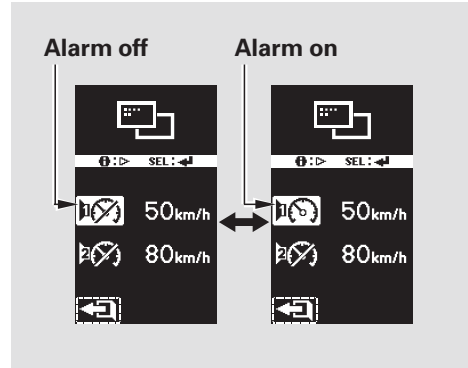
*CONTINUED*

# Multi-Information Display

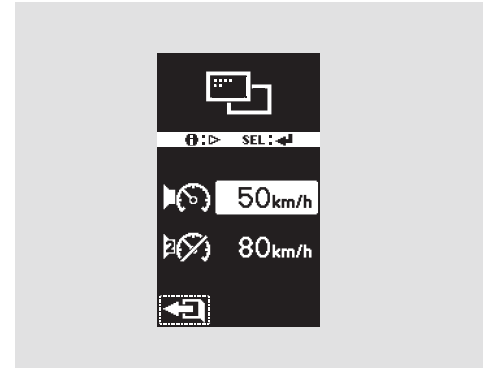
Speed setting 1: You can set the alarm on or off, and adjust the setting speeds above or below 50 km/h (30 mph).

Speed setting 2: You can set the alarm on or off, and adjust the setting speeds above or below 80 km/h (50 mph).

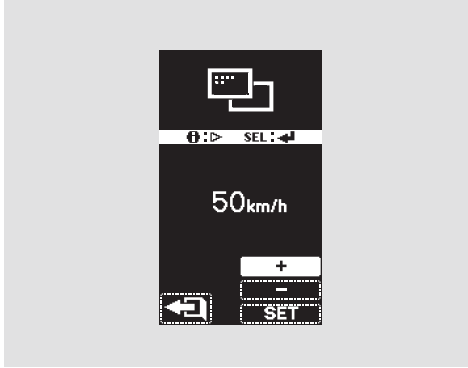
Each time you press and release the INFO button (  ), the selected icon is changed from set 1, to 50 km/h (30 mph), and to set 2, to 80 km/h (50 mph). Then press the INFO button again to exit.



Select either of the setting modes (1 or 2), then select on or off by pressing the SEL/RESET button repeatedly.



To adjust the setting speed, select either of the setting speeds, then press and release the SEL/RESET button. The display changes to the speed setting screen.



The displayed number is the current speed setting. Select either the + or – icon by pressing the INFO button repeatedly, then press the SEL/RESET button to change the setting value.

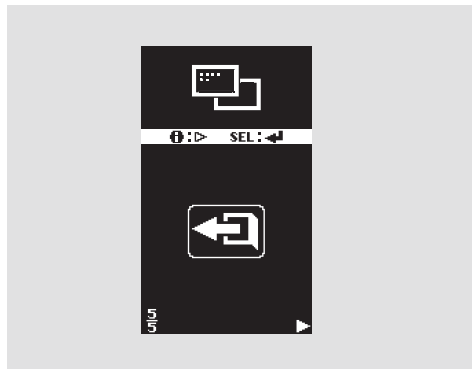
Each time you press the SEL/RESET button, the setting speed increases or decreases by 5 km/h (mph). You can set the speed values over 5 km/h (5 mph) with 5 km/h (mph) steps. Always follow the posted speed limit and never drive faster than is safe for the traffic conditions.

To enter your selection, select the SET icon by pressing the INFO button, then press and hold the SEL/RESET button.

After your selection, press and release the INFO button to move to the exit mode. Press the SEL/RESET button to enter your setting. If you press the INFO button, the display goes back to the setting mode. Repeat the setup.

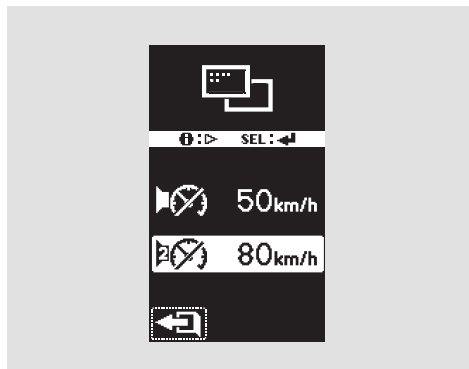
*CONTINUED*

# Multi-Information Display



To exit the customizing mode, select the exit mode shown above by pressing the INFO button repeatedly, then press the SEL/RESET button. The display goes back to the normal display.

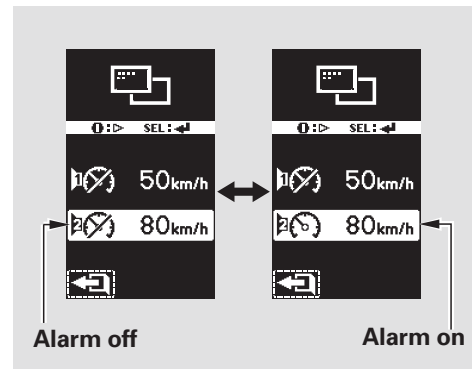
*To select the alarm speed while driving:*



Press the INFO button for about 1 second to switch the display. You will see the speed alarm settings on the multi-information display.

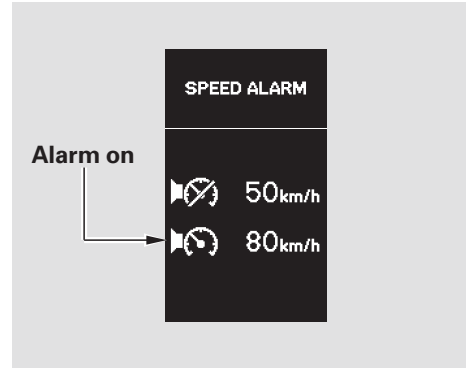
According to the selected display, you can select the alarm speed between the two setting speeds: 50 km/h and 80 km/h in the left-hand drive type, or 30 mph and 50 mph in the right-hand drive type. Each time you press and release the

INFO button, the selected icon is changed between the setting speeds and the exit icon.



Select the desired setting speed, then press the SEL/RESET button. Each time you press the SEL/RESET button, the selected speed icon switches between on and off.

After your selection, press and release the INFO button to move to the exit mode. Press the SEL/RESET button to enter your setting. If you press the INFO button, the display goes back to the setting mode. Repeat the setup.



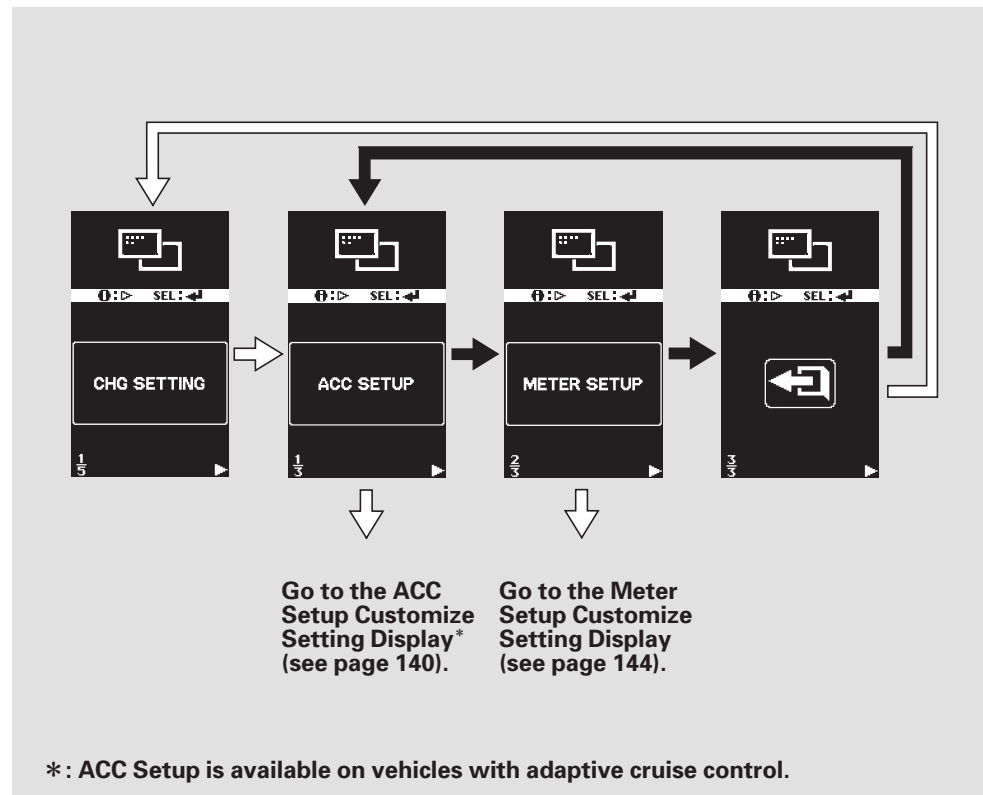
After pressing the SEL/RESET button, the display shows your setting for a few seconds, then goes back to the normal display.

If you do not press any button, the display returns to the normal display after about 10 seconds.

# Multi-Information Display

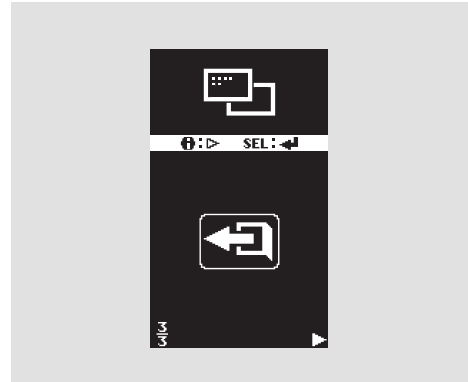
## Change Setting

You can customize some of the vehicle control settings to your preference. On vehicles with adaptive cruise control (ACC) system, the change setting consists of the two main items; ACC Setup and Meter Setup, and each main item has some custom settings. On the other vehicles, the change setting consists of all items in the meter setup menu. The following items are the settings you can customize.



Press and hold the INFO button to enter the customizing mode, then press and release the INFO button repeatedly to select “CHG SETTING.” While the multi-information display is showing “CHG SETTING,” press the SEL/RESET button. The display changes to the setting mode.

Press and release the INFO button repeatedly until you see the setup you want to customize, and press the SEL/RESET button to enter your selection. Each time you press the INFO button, the display changes as shown. To customize each setting, follow the procedures described on the following pages.



To exit the customizing mode after your selection, select the exit mode shown above by pressing the INFO button repeatedly, then press the SEL/RESET button. The display will return to the normal display.



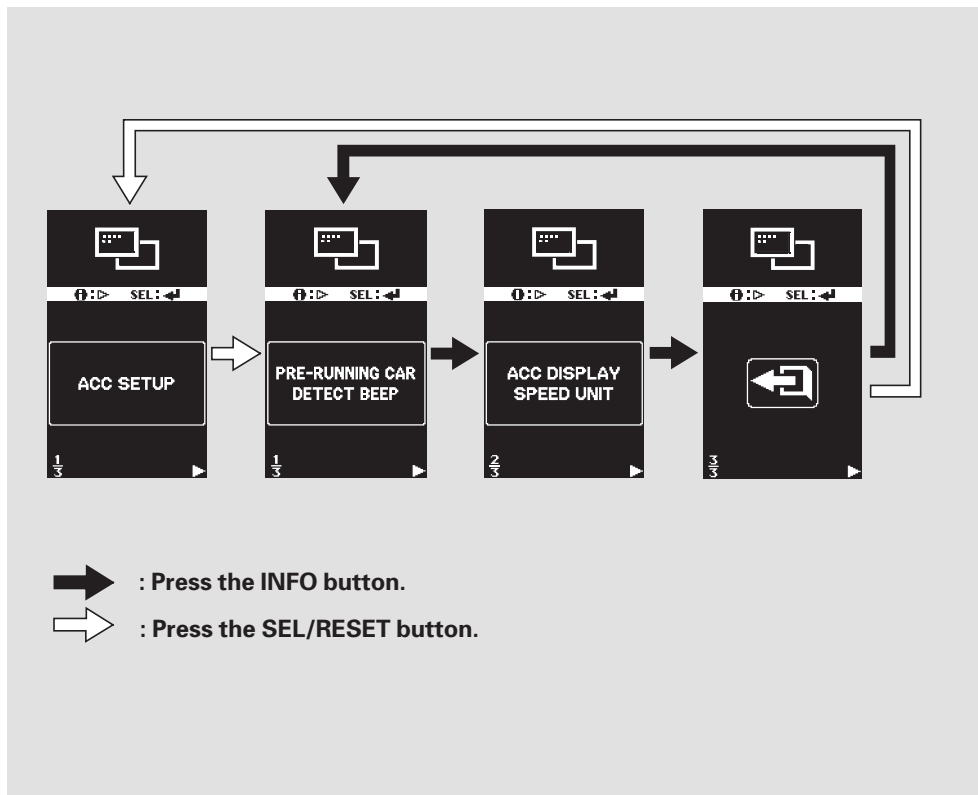
# Multi-Information Display

## *Adaptive Cruise Control (ACC) Setup*

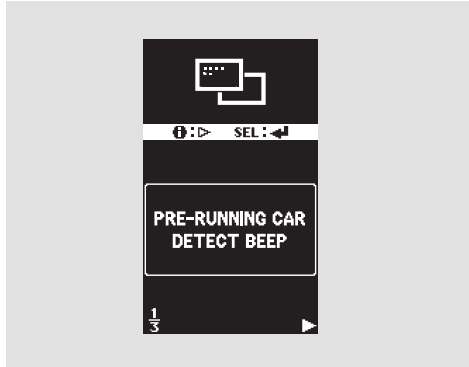
You can customize either of the adaptive cruise control (ACC) system settings to your preference. Here are the settings you can customize.

### *ACC Setup*

- **PRE-RUNNING CAR DETECT BEEP:** You can turn on or off the alarm when the system detects a vehicle ahead of you (see page 141).
- **ACC DISPLAY SPEED UNIT:** Measurements in the ACC display can be selected; km or miles (see page 142).



## Pre-Running Car Detect Beep

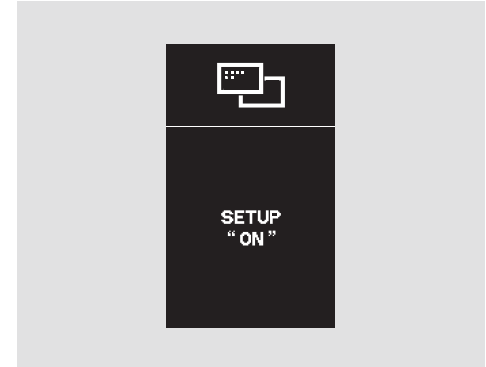


On vehicles with adaptive cruise control (ACC)

With this setting on, a beep sounds when the system detects a vehicle ahead of you. You will also hear a beep when the vehicle goes out of the range of your vehicle's radar sensor. While the multi-information display is showing "PRE-RUNNING CAR DETECT BEEP," press the SEL/RESET button. The display changes to the setting display.

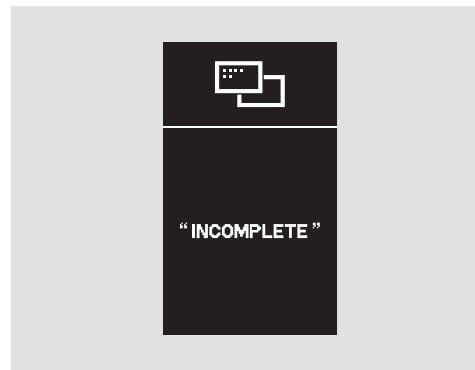


You can select "ON" or "OFF". Each time you press the INFO button, the selected mode switches between on and off. Enter your selection by pressing the SEL/RESET button.

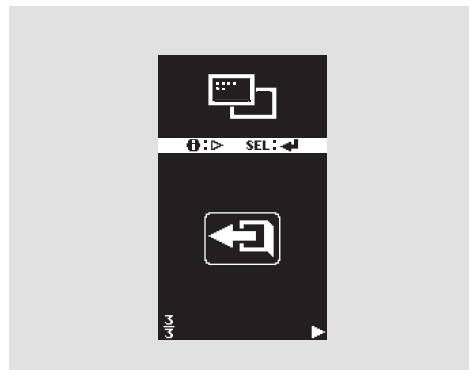


When your selection is successfully completed, the display shows "SETUP ON" for a few seconds, then goes back to the "CHG SETTING" display. Press the SEL/RESET button, then press the INFO button repeatedly to select another customizing mode.

*CONTINUED*



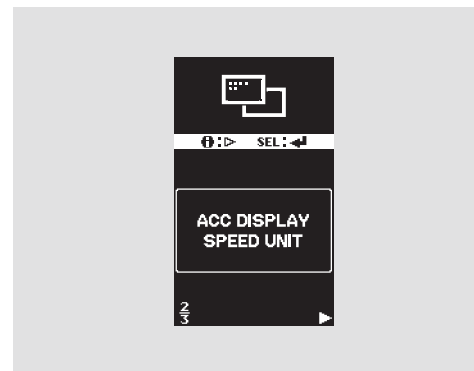
If you fail to enter your selection, you will see “INCOMPLETE” on the display for a few seconds. The display returns to the setting mode. Repeat the setup.



To exit the customizing mode, select the exit mode by pressing the INFO button repeatedly, then press the SEL/RESET button. The display goes back to the “PRE-RUNNING CAR DETECT BEEP” display.

To return to the normal display, select the  display, then press the SEL/RESET button.

## *Adaptive Cruise Control (ACC) Display Speed Unit*



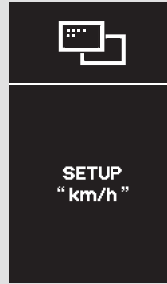
*On vehicles with adaptive cruise control (ACC)*

The speed unit measurements of the adaptive cruise control can be selected; km/h or mph.

While the multi-information display is showing “ACC DISPLAY SPEED UNIT,” press the SEL/RESET button. The display changes to the setting display.




You can select “km/h” or “mph”. The highlighted item is the current setting. Each time you press the INFO button, the selected item changes. Enter your selection by pressing the SEL/RESET button.



When your selection is successfully completed, the display shows “SETUP km/h” for a few seconds, then goes back to the “CHG SETTING” display. Press the SEL/RESET button, then press the INFO button repeatedly to select another customizing mode.

If you fail to enter your selection, you will see “INCOMPLETE” on the display for a few seconds. The display returns to the setting mode. Repeat the setup.

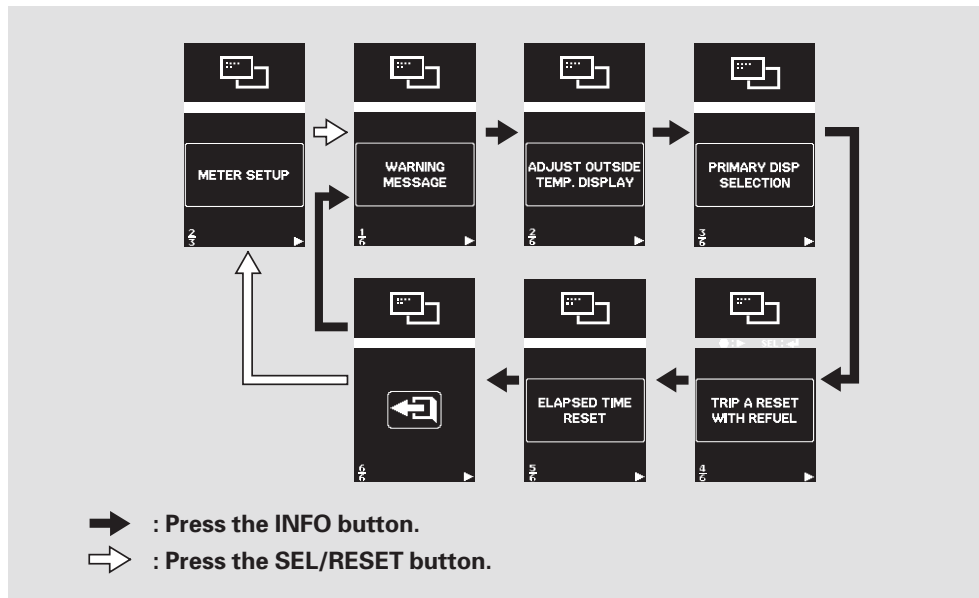
To exit this mode without changing the current setting, select , and press the SEL/RESET button.

# Multi-Information Display

## Meter Setup

You can customize some of the vehicle control settings to suit your needs. The following items are the settings you can customize.

- **WARNING MESSAGE:** The warning message is displayed with the symbol or not (see page 145).
- **ADJUST OUTSIDE TEMP. DISPLAY:** The outside temperature indicator value is adjustable up to + or -3°C (see page 146).
- **PRIMARY DISP SELECTION:** A trip computer item displayed in the upper segment can be selected (see page 148).



- **TRIP A RESET WITH REFUEL:** Average fuel mileage for trip meter A can be reset after refueling (see page 150).

- **ELAPSED TIME RESET:** The elapsed time can be reset when you turn the ignition switch to the OFF (0) position or when you reset the trip meter A or B (see page 151).

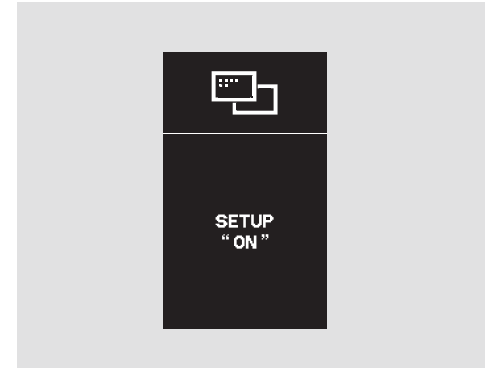
## Warning Message



You can see message(s) with the system warning symbol on the multi-information display. While the multi-information display is showing “WARNING MESSAGE,” press the SEL/RESET button. The display changes to the setting display.

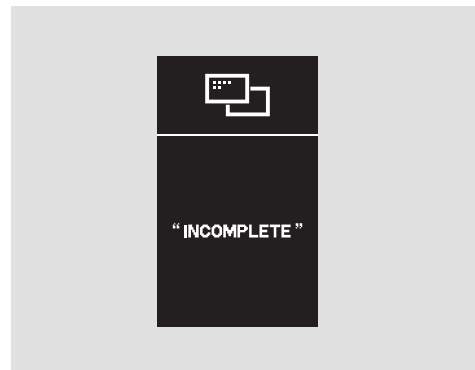


You can select “ON” or “OFF”. Each time you press the INFO button, the selected mode switches between on and off. Enter your selection by pressing the SEL/RESET button.



When your selection is successfully completed, the display shows “SETUP ON” for a few seconds, then goes back to the “CHG SETTING” display. Press the SEL/RESET button, then press the INFO button repeatedly to select another customizing mode.

*CONTINUED*



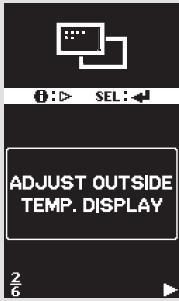
If you fail to enter your selection, you will see “INCOMPLETE” on the display for a few seconds. The display returns to the setting mode. Repeat the setup.

To exit the customizing mode, select the exit mode by pressing the INFO button repeatedly, then press the SEL/RESET button (see page 139 ). The display goes back to the “WARNING MESSAGE” display.

To return to the normal display, select the  display, then press the SEL/RESET button.

## ***Outside Temperature Display Adjustment***

If you find that the temperature reading is always a few degrees below or above the actual temperature, adjust it as described on the following columns.



While the multi-information display is showing “ADJUST OUTSIDE TEMP. DISPLAY,” press the SEL/RESET button. The display changes to the setting display.



The highlighted number is the current adjustment above or below the outside temperature. Select either + or - icon by pressing the INFO button repeatedly then press the SEL/RESET button to change the setting value. You can select the value between 0, +1, +2, +3, and 0, -1, -2, -3. To enter your selection, select the SET icon by pressing the INFO button, then press the SEL/RESET button.



When your selection is successfully completed, the display shows “SETUP ± °C” for a few seconds, then goes back to the “CHG SETTING” display. Press the SEL/RESET button, then press the INFO button repeatedly to select another customizing mode.

*CONTINUED*



# Multi-Information Display

---

If you fail to enter your selection, you will see “INCOMPLETE” on the display for a few seconds. The display returns to the setting mode. Repeat the setup.

To exit the customizing mode, select the exit mode by pressing the INFO button repeatedly, then press the SEL/RESET button. The display goes back to the normal display.

## *Primary Disp Selection*

You can select a trip computer item displayed in the upper segment. The trip computer consists of the current fuel mileage, the average fuel economy, the estimated distance, the elapsed time, and the average speed. The upper segment always displays one of the trip computer items as a primary display when you turn the ignition switch to the ON (II) position. This selected item in the upper segment does not switch even if you press the INFO button. For more information of each trip computer items, see page 107.

Here are the settings you can customize:



: Current fuel mileage



: Estimated distance



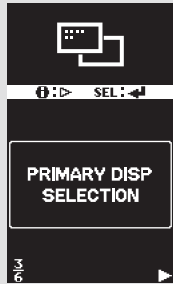
: Average fuel mileage



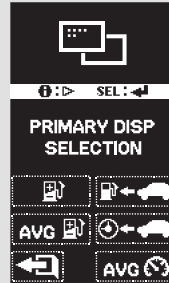
: Time travelled since you last turned the ignition switch to the ON (II) position



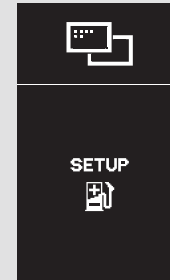
: Average speed



While the multi-information display is showing “PRIMARY DIPS SELECTION,” press the SEL/RESET button. The display changes to the setting display.



You can select each trip computer symbol. Each time you press the INFO button, the selected symbol switches between them. Enter your selection by pressing the SEL/RESET button.



When your selection is successfully completed, the display shows the appropriate symbol with a “SETUP” message for a few seconds, then goes back to the “CHG SETTING” display. Press the SEL/RESET button, then press the INFO button repeatedly to select another customizing mode.

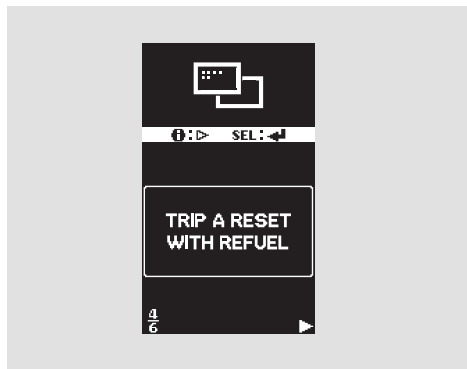
*CONTINUED*

# Multi-Information Display

If you fail to enter your selection, you will see “INCOMPLETE” on the display for a few seconds. The display returns to the setting mode. Repeat the setup.

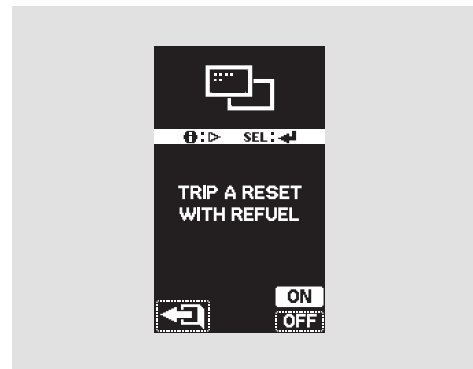
If you select  and press the SEL/RESET button, the normal display is shown again.

## *Trip A Reset With Refuel*



To cause the trip meter A and the average fuel mileage for trip A to reset every time you refuel your vehicle, adjust it as described as follows.

While the multi-information display is showing “TRIP A RESET WITH REFUEL,” press the SEL/RESET button. The display changes to the setting display.



You can select “ON” or “OFF”. Each time you press the INFO button, the selected mode switches between on and off. Enter your selection by pressing the SEL/RESET button.



When your selection is successfully completed, the display shows “SETUP ON” or “SETUP OFF” for a few seconds, then goes back to the “CHG SETTING” display. Press the SEL/RESET button, then press the INFO button repeatedly to select another customizing mode.

If you fail to enter your selection, you will see “INCOMPLETE” on the display for a few seconds. The display returns to the setting mode. Repeat the setup.

To exit the customizing mode, select the exit mode by pressing the INFO button repeatedly, then press the SEL/RESET button. The display will return to the normal display.

## *Elapsed Time Reset*

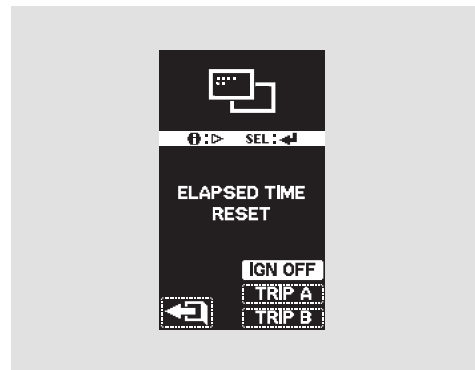


To cause the elapsed time to reset every time you turn the ignition switch to the LOCK (0) position or reset the trip meter A or B, adjust it as described as follows.

While the multi-information display is showing “ELAPSED TIME RESET,” press the SEL/RESET button. The display changes to the setting display.

*CONTINUED*

# Multi-Information Display



You can select “IGN OFF,” “TRIP A,” or “TRIP B”. Each time you press the INFO button, the selected mode switches between them. Enter your selection by pressing the SEL/RESET button.

**IGN OFF:** The elapsed time is reset when you turn the ignition switch to the LOCK (0) position.

**TRIP A:** The elapsed time is reset when you reset the trip meter A.

**TRIP B:** The elapsed time is reset when you reset the trip meter B.



**IGN OFF is selected.**

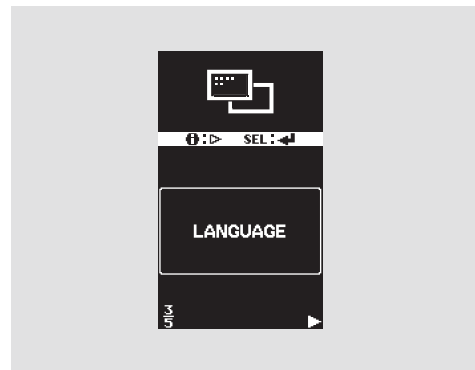
When your selection is successfully completed, the display shows the appropriate setting; “SETTING IGN OFF,” “SETUP TRIP A,” or “SETUP TRIP B” for a few seconds, then goes back to the “CHG SETTING” display. Press the SEL/RESET button, then press the INFO button repeatedly to select another customizing mode.

If you fail to enter your selection, you will see “INCOMPLETE” on the display for a few seconds. The display returns to the setting mode. Repeat the setup.

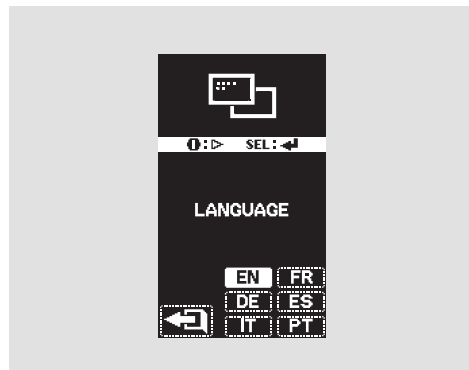
To exit the customizing mode, select the exit mode by pressing the INFO button repeatedly, then press the SEL/RESET button. The display goes back to the normal display.

# Multi-Information Display

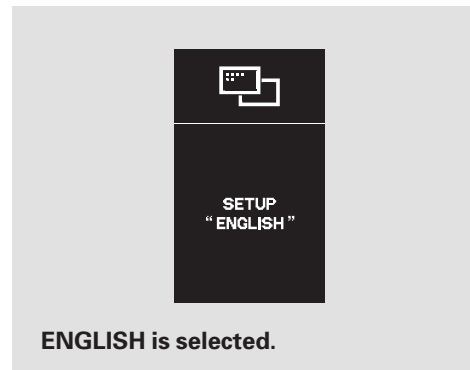
## Selecting Language



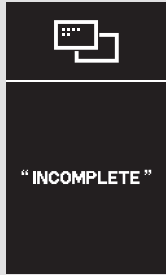
Press and hold the INFO button to enter the customizing mode, then press and release the INFO button to select “LANGUAGE.” While the multi-information display is showing “LANGUAGE,” press the SEL/RESET button. The display changes to the setting display.



You can select any of the following languages: English, French, German, Spanish, Italian, Portuguese. Press and release the INFO button to select the language, then press the SEL/RESET button to enter the selection.



When the language selection is successfully completed, the display changes to the screen shown above for a few seconds, then goes back to the “LANGUAGE” display. Press the INFO button repeatedly to select another customizing mode.



If you fail to set the language setting, you will see “INCOMPLETE” on the display for a few seconds. The display returns to the setting mode. Repeat the setup.



To exit the customizing mode, select the exit mode shown above by pressing the INFO button repeatedly, then press the SEL/RESET button. The display goes back to the normal display.

## Default Settings

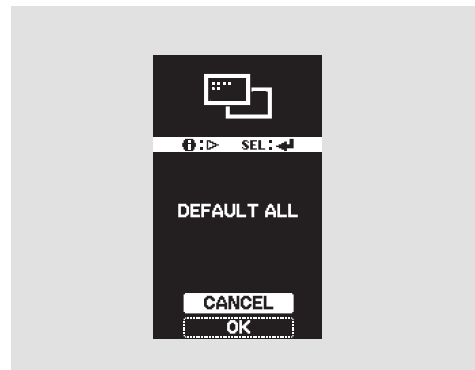


If you want to set the customizable vehicle control settings to the default setting, press the INFO button on the steering wheel repeatedly until “DEFAULT ALL” is displayed, then press the SEL/RESET button.

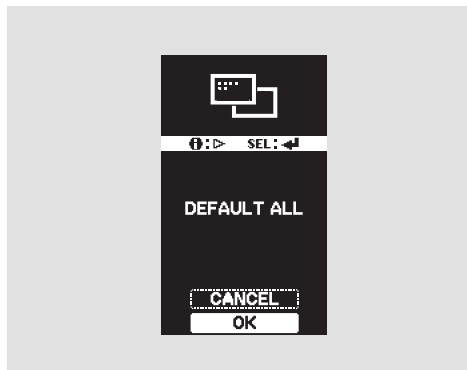
*CONTINUED*



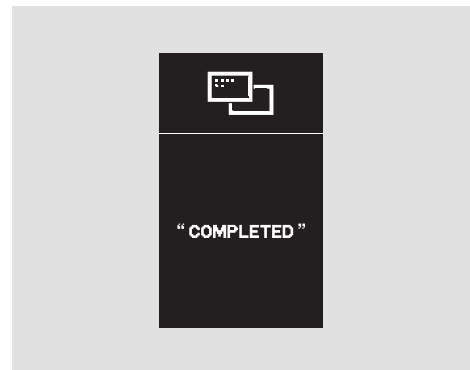
# Multi-Information Display



The display shows the selectable items. If you want to cancel “DEFAULT ALL,” select “CANCEL” by pressing the INFO button, then press and hold the SEL/RESET button for about 3 seconds to set. The display goes back to the normal display.



To set the default settings, select “OK” by pressing the INFO button, then press and hold the SEL/RESET button for about 3 seconds to set.



After the DEFAULT ALL operation is completed, you will see the above display for a few seconds, then the display switches to the language setting mode.



If the DEFAULT ALL operation is not successful, you will see the above display for a few seconds, then the display goes back to the setting display.

The following are the default values for each customizable setting.

- The speed alarm function is off.
- The warning message function is off. Only the symbols are displayed on the multi-information display.
- Outside temperature display adjustment value is 0°C.
- The primary display in the upper segment is the current fuel mileage.
- Average fuel mileage for trip meter A is not reset on refueling.
- The elapsed time is reset with the ignition switch in the LOCK (0) position.

- Displayed language is English.
- Selecting the default setting is cancelled.

*On vehicles with adaptive cruise control (ACC)*

- A beep will not sound when the system detects a vehicle ahead of your vehicle.
- Measurements in the ACC display are km/h on the left-hand drive type and mph on the right-hand drive type.

# Controls Near the Steering Wheel

Left-hand drive type

HEADLIGHTS/TURN SIGNALS/  
FRONT FOG LIGHTS\*<sup>2</sup>/  
REAR FOG LIGHT  
(P.164, 166, 167)

VEHICLE STABILITY ASSIST  
(VSA) SYSTEM OFF SWITCH  
(P.379)  
HEADLIGHT ADJUSTER\*<sup>2</sup>  
(P.173)

ADAPTIVE FRONT LIGHTING  
SYSTEM (AFS) OFF SWITCH\*<sup>2</sup>  
(P.169)

VSA SYSTEM OFF SWITCH\*<sup>3</sup>  
(P.379)  
CMBS OFF SWITCH\*<sup>2</sup>  
(P.371)

HANDS-FREE TELEPHONE  
SYSTEM BUTTONS\*<sup>2</sup>  
(P.309)

VOICE CONTROL  
BUTTONS\*<sup>2</sup>

REMOTE AUDIO CONTROLS\*<sup>2</sup>  
(P.274)

INSTRUMENT PANEL  
BRIGHTNESS (P.170)

WINDSCREEN WIPERS/  
WASHERS (P.160)

HAZARD WARNING  
BUTTON  
(P.171)

REAR WINDOW DEMISTER/  
HEATED MIRROR BUTTON  
(P.171, 213)

PARKING SENSOR SYSTEM BUTTON  
(P.303)

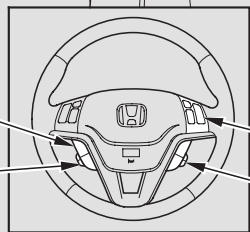
HORN\*<sup>1</sup>

CRUISE CONTROL BUTTONS\*<sup>2</sup> (P.282)

TILT/TELESCOPIC ADJUSTMENT  
(P.174)

ADAPTIVE CRUISE CONTROL SYSTEM BUTTONS\*<sup>2</sup>  
(P.285)

MULTI-INFORMATION BUTTONS  
(P.105)



\* 1 : To use the horn, press the centre pad of the steering wheel.

\* 2 : If equipped

\* 3 : On vehicles with headlight adjuster

Right-hand drive type

HAZARD WARNING BUTTON  
(P.171)

INSTRUMENT PANEL  
BRIGHTNESS  
(P.170)

WINDSCREEN WIPERS/  
WASHERS  
(P.160)

HEADLIGHTS/TURN SIGNALS/  
FRONT FOG LIGHTS\*<sup>2</sup>/  
REAR FOG LIGHT  
(P.164, 166, 167)

VEHICLE STABILITY ASSIST  
(VSA) SYSTEM OFF SWITCH  
(P.379)  
HEADLIGHT ADJUSTER\*<sup>2</sup>  
(P.173)

REMOTE AUDIO CONTROLS\*<sup>2</sup>  
(P.274)

ADAPTIVE FRONT LIGHTING  
SYSTEM (AFS) OFF SWITCH\*<sup>2</sup>  
(P.169)

REAR WINDOW DEMISTER/  
HEATED MIRROR BUTTON  
(P.171, 213)

VSA SYSTEM OFF SWITCH\*<sup>3</sup> (P.309)  
CMBS OFF SWITCH\*<sup>2</sup> (P.371)

PARKING SENSOR SYSTEM BUTTON  
(P.303)

HORN\*<sup>1</sup>

TILT/TELESCOPIC ADJUSTMENT  
(P.174)

VOICE CONTROL BUTTONS\*<sup>2</sup>

HANDS-FREE TELEPHONE SYSTEM  
BUTTONS\*<sup>2</sup> (P.309)

CRUISE CONTROL BUTTONS\*<sup>2</sup>  
(P.282)

ADAPTIVE CRUISE CONTROL  
SYSTEM BUTTONS\*<sup>2</sup> (P.285)

MULTI-INFORMATION BUTTONS  
(P.105)

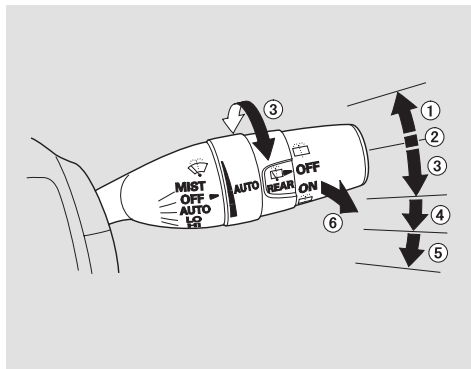
\* 1 : To use the horn, press the centre pad of the steering wheel.

\* 2 : If equipped

\* 3 : On vehicles with headlight adjuster

# Windscreen Wipers and Washers

## Windscreen Wipers



1. MIST
2. OFF
3. INT – Intermittent (AUTO\*)
4. LO – Low speed
5. HI – High speed
6. Windscreen washers

\* : On vehicles with automatic intermittent wipers, see page 161 .

Push the lever up or down to select a position.

**MIST** – The wipers run at high speed until you release the lever.

**OFF** – The wipers are not activated.

**INT** – The wipers operate every few seconds. At low speed and high speed, the wipers run continuously.

*On some types*

The length of the wiper interval is varied automatically according to the vehicle's speed.

Vary the delay by turning the INT TIME ring.

If you turn it to the shortest delay, the wipers will change to low speed operation when the vehicle speed exceeds 20 km/h (12 mph).

While the vehicle is stopped and in gear, the wipers sweep the windscreen whenever you remove your foot from the brake pedal.

**LO** – The wipers run at low speed.

**HI** – The wipers run at high speed.

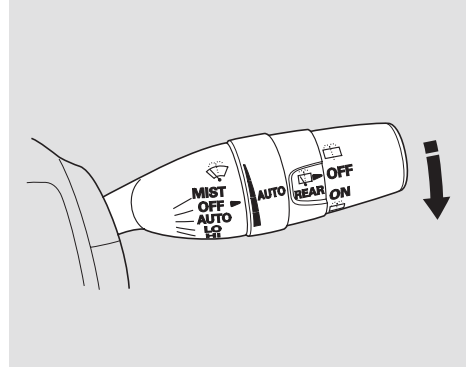
**Windscreen Washers** – Pull the wiper control lever toward you, and hold it. The washers spray until you release the lever. The wipers run at low speed, then complete one more sweep after you release the lever.

## Headlight Washer (For some types)

When you pull back on the wiper control lever with the headlight switch ON, the headlight washers and windscreen washers work at the same time.

The headlight washers use the same fluid reservoir as the windscreen washers.

## Automatic Intermittent Wipers *On some types*



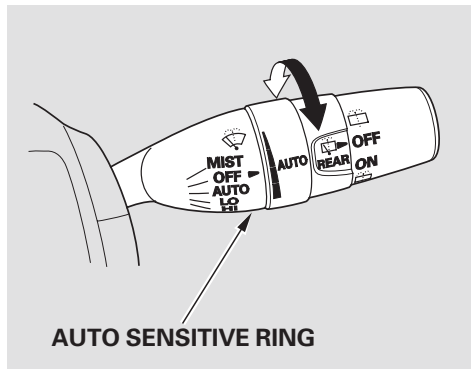
The automatic intermittent wiper system senses rainfall and automatically turns on the windscreen wipers. To enable sensing, push the lever down to select AUTO.

When the system senses rainfall, it turns on the windscreen wipers and varies their speed (intermittent, low speed, or high speed) depending on how hard it is raining. This function is available when the vehicle speed exceeds 10 km/h (6 mph).

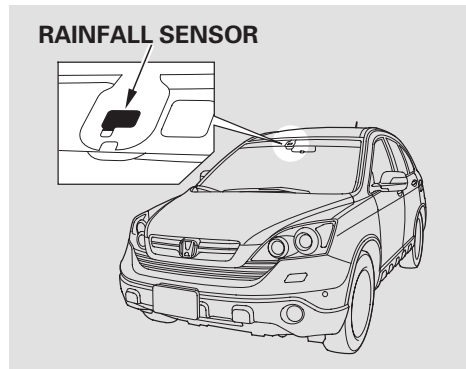
When the wiper lever is in the “LO” (low speed) or “HI” (high speed) position, the windscreen wipers run at that speed. Automatic sensing is disabled.

*CONTINUED*

# Windscreen Wipers and Washers



You can adjust the sensitivity of the system by turning the AUTO sensitive ring on the wiper lever.

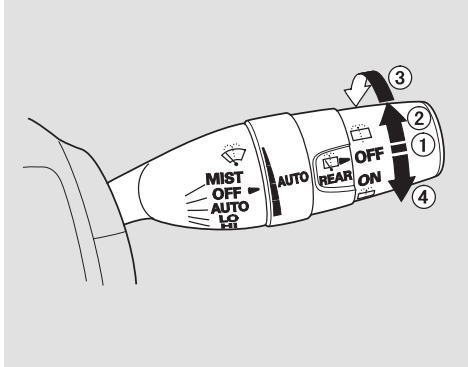


The rainfall sensor is located in the windscreen near the rearview mirror. If the sensor is covered with mud, oil, dust, etc., the wipers may not operate properly or may operate unexpectedly.

## NOTICE

Do not position the wiper lever in AUTO when driving through a car wash. Turn off this system when not in use.

## Rear Window Wiper and Washer



1. OFF  
When you turn the wiper switch to the “OFF” position, the wiper will return to its parked position.
2. Rotate the switch clockwise to turn the rear window wiper ON. The wiper operates every 7 seconds after completing two sweeps.

3. Hold past ON to activate the rear window wiper a few times and to spray the rear window washer.
4. Rotate the switch anticlockwise also to spray the window washer and turn the wiper on.

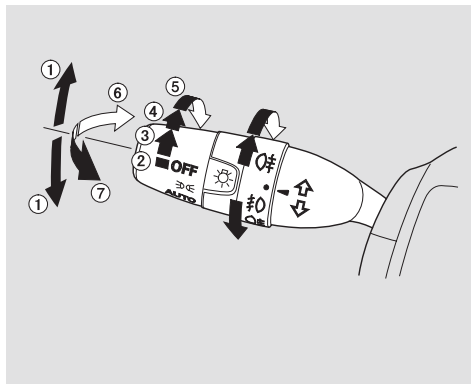
When you shift the transmission to the reverse position with the front windscreen wiper activated, the rear wiper operates automatically even if the rear wiper switch is off.

With the front wiper in INT or AUTO position, the rear wiper operates intermittently. If the front wiper is set to the LO or HI position, the rear wiper runs continuously.

The rear window washer uses the same fluid reservoir as the windscreen washer.



# Turn Signals and Headlights



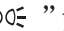
1. Turn signal
2. Off
3. Position and interior lights
4. AUTO (on some models)
5. Headlights on
6. High beams
7. Flash high beams


**Turn Signal** — Push down or up on the lever to signal a turn. To signal a lane change, push lightly on the lever in the proper direction and hold it. The lever will return to centre when you release it or complete a turn.



### *One-push Turn Signal*

To signal a lane change easily, push the turn signal lever in the proper direction lightly and release it. The left or right turn signal indicator on the instrument panel and the appropriate outside turn signals will blink three times.


If you hold the turn signal lever, the turn signal continues to blink and will stop when you release it.

**Headlights On** — Turning the switch to the “” position turns on the position lights, tail-lights, instrument panel lights, and rear licence plate lights.

Turning the switch to the “” position turns on the headlights. If you leave the lights on with the key removed from the ignition switch, you will hear a reminder chime when you open the driver’s door.

When the light switch is in the “” or the “” position, the lights on indicator comes on as a reminder.


*On vehicles with multi-information display*

You will also see the symbol “,” or this symbol with a “HEADLIGHTS ON” message on the multi-information display.

**High Beams** — Push the lever forward until you hear a click to turn on the high beams. The blue high beam indicator will come on (see page 94 ). Pull the lever back to return to the low beams.

To flash the high beams, pull the lever back lightly, then release it. The high beams will stay on as long as you hold the lever back.


## **Daytime Running Lights (For some types)**

The daytime running lights come on automatically when you turn the ignition switch to the ON (II) position. They go out automatically when the light switch is turned to the  position.

*On some models*

**AUTO** — The automatic lighting feature turns on the headlights, all other exterior lights, and the instrument panel lights when it senses low ambient light.


To turn on the automatic lighting, turn the light switch to AUTO at any time. The lights will come on automatically when the outside light level becomes low (at dusk, for example). The lights on indicator comes on as a reminder. The lights and indicator turn off automatically when the system senses high ambient light.

The lights turn off automatically when you turn the ignition switch to the LOCK (0) position. To turn them on again, either turn the ignition switch to the ON (II) position, or turn the light switch to  position.

Even with the automatic lighting feature turned on, we recommend that you turn on the lights manually when driving at night or in a dense fog, or when you enter dark areas such as long tunnels or parking facilities.

Do not leave the light switch in AUTO if you will not be driving the vehicle for an extended period (a week or more). You should also turn off the lights if you plan to leave the engine idling or the engine off for a long time.

*On vehicles with multi-information display*

If there is a problem with the control system, you will see the symbol “,” or the symbol with a “CHECK SYSTEM” message on the multi-information display. Have the vehicle checked by your dealer as soon as possible.

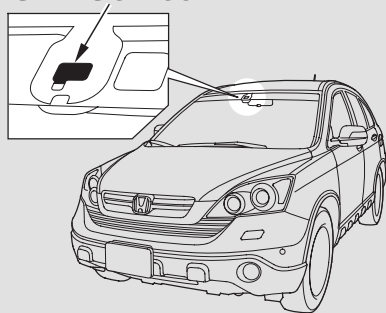
*CONTINUED*

# Headlights, Front and Rear Fog Lights

*On vehicles with information display*

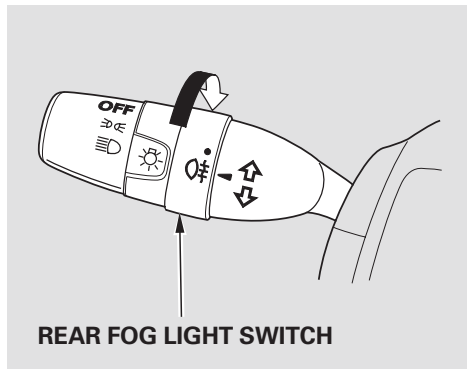
If there is a problem with the automatic lighting control system, the light control indicator comes on (see page 94 ). Have the vehicle checked by your dealer as soon as possible.


## LIGHTING SENSOR




The automatic lighting feature is controlled by a sensor located on the windshield near the rearview mirror. Do not cover this sensor or spill liquids on it.

## Rear Fog Light (For some types)



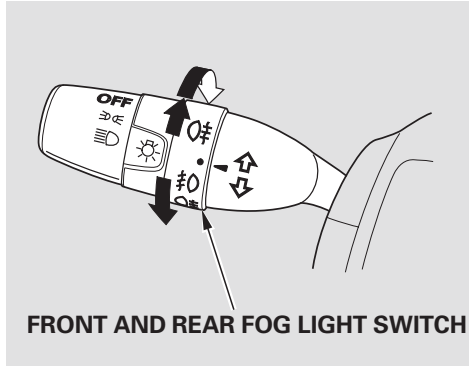
The rear fog light switch is located next to the light control switch. You can use the rear fog light when the headlights are on (the light control switch is in the  position).

To operate the rear fog light, turn the switch up from the off (•) position. The  indicator in the instrument panel comes on to indicate that the rear fog light is on.

You can turn off the rear fog light with the headlights on by turning the switch up again.

The rear fog light will go off when you turn the headlights off. To turn the rear fog light on again, you have to turn the rear fog light switch again with the headlights on.

## Front and Rear Fog Lights (For some types)



The fog light switch is located next to the light control switch. You can control the front fog lights with this switch when the light control switch is in the  $\text{☰}$  or  $\text{☷}$  position.

You can also use the rear fog light when the light control switch is in the  $\text{☷}$  position or the front fog lights are turned on.

To turn on the rear fog light only, turn the switch down from the off ( $\bullet$ ) position. The  $\text{☷}$  indicator in the instrument panel comes on to indicate that the rear fog light is on.

You can turn off the rear fog light with the headlights on by turning the switch down again.

To operate the front fog lights, turn the switch up from the off ( $\bullet$ ) position to the  $\text{☷}$  position. The  $\text{☷}$  indicator comes on as a reminder. To turn the rear fog light on with the front fog lights, turn the switch one position up from the  $\text{☷}$  position.

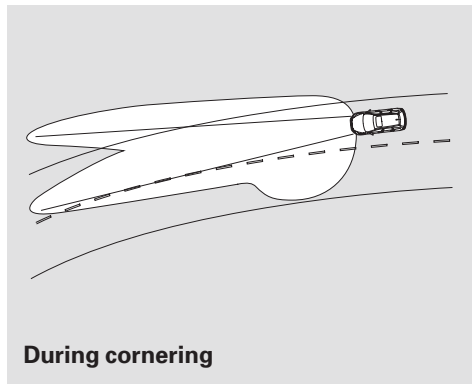
You can turn off the rear fog light with the front fog lights on by turning the switch up again.

The front and rear fog lights will go off when you turn the light control switch off. With only the rear fog light on, it will go off when you turn the headlights off.

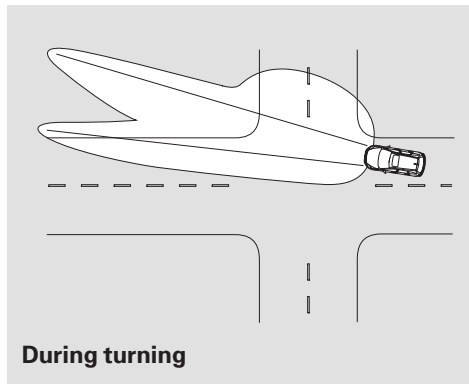
When you turn the light control switch on again, the front fog lights will also turn on. To turn the fog lights completely off, turn the fog light switch down to the off ( $\bullet$ ) position.

To turn the rear fog light on again, you have to turn the fog light switch again with the headlights on ( $\text{☷}$  position) or the front fog lights on.

# Adaptive Front Lighting System (AFS) (For some types)



The adaptive front lighting system (AFS) helps to improve visibility during nighttime driving. The AFS controls the aiming direction and lighting distribution of the low beams according to the amount of turn applied to the steering wheel during cornering or turning. To turn the AFS on, turn the ignition switch to the ON (II) position, and turn the headlights on.



## **AFS** AFS Indicator

If the AFS indicator comes on and starts blinking while driving, pull to the side of the road when it is safe, and turn off the engine. If the AFS indicator keeps blinking, or starts blinking again while driving after turning the ignition switch to the ON (II) position, the AFS is not working properly. Have the AFS inspected by your dealer.

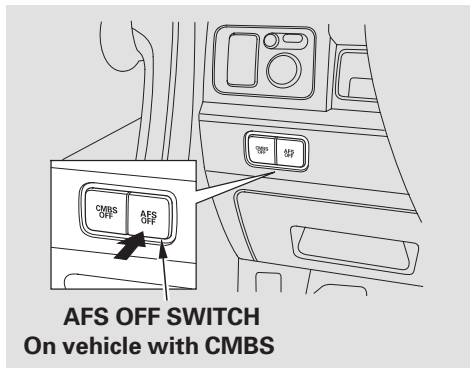
Without AFS, your vehicle still has normal lighting ability to continue driving.

*On vehicles with multi-information display*

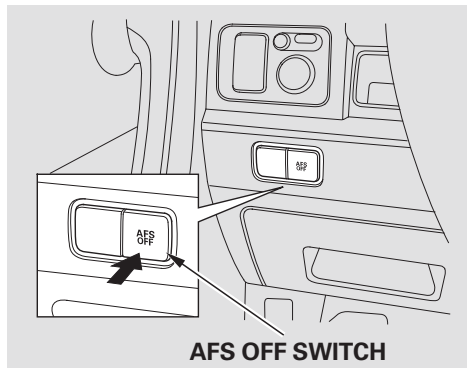
When the AFS indicator comes on, you will also see the symbol “**AFS**,” or this symbol with a “CHECK SYSTEM” message on the multi-information display.

# Adaptive Front Lighting System (AFS) (For some types)

## AFS Off Switch



This switch is under the power mirror adjustment switch. Press it to turn the AFS on and off. When AFS is off, the AFS indicator comes on as a reminder when you turn on the headlights.



Here are some operating characteristics of the AFS:

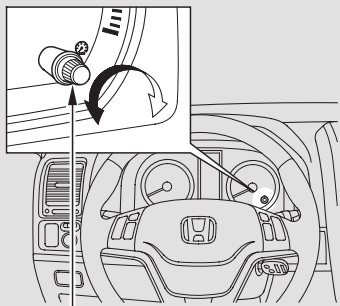
- The system requires an initialization period. It does not begin to operate until you have driven the vehicle a short distance.
- AFS is not activated when the vehicle is stationary.
- AFS is turned off when the shift lever is in reverse.

## Automatic Headlight Adjusting System

The AFS works with the automatic headlight adjusting system to sense changes in vehicle height posture due to driving and loading conditions of passengers and luggage. The vertical aim of the headlights is automatically adjusted to compensate for load.

If the headlights do not seem to be properly aimed, have the automatic headlight adjusting system inspected by your dealer.

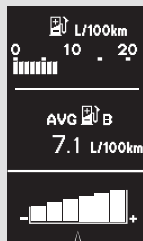
# Instrument Panel Brightness



**INSTRUMENT PANEL BRIGHTNESS CONTROL KNOB**

You can change the instrument panel brightness only when the light switch is on.

Turn the knob on the lower part of the instrument panel to adjust the brightness.



**BRIGHTNESS LEVELS**

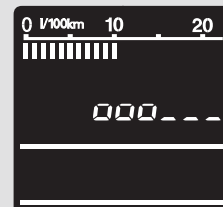
**On the multi-information display**

The brightness can be shown within the six brightness levels.

*On vehicles with multi-information display*

When you turn the knob, the lower segment of the display changes to vertical bars that show you the current level.

**BRIGHTNESS LEVELS**



**On the information display**

*On vehicles with information display*  
When you turn the knob, the middle segment shows the current brightness level with circles.

You will hear a tone when you reach the maximum or minimum brightness. The brightness level goes out about 5 seconds after you stop adjusting.

# Instrument Panel Brightness, Hazard Warning Button, Rear Window Demister

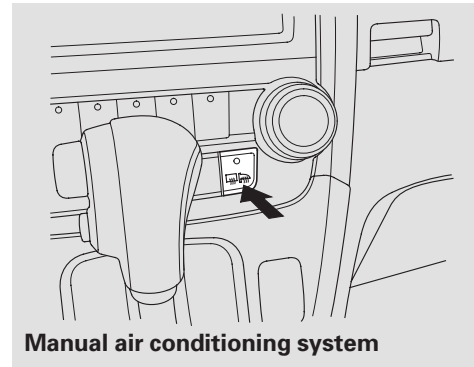
To reduce glare at night, the instrument panel illumination dims when you turn the light switch to  $\text{☾}$  or  $\text{☾D}$  position. Turning the Select/Reset knob fully to the right until you hear a beep will cancel the reduced brightness.

## Hazard Warning Button



Push the red button to turn on the hazard warning lights (four-way flashers). This causes all outside turn signals and both turn indicators in the instrument panel to flash. Use these lights to give a warning to other road users that your vehicle is causing a hazard.

## Rear Window Demister



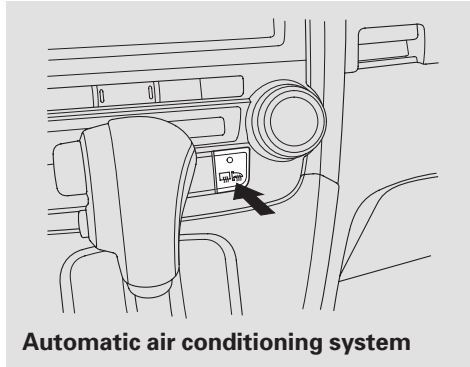
The rear window demister will clear fog, frost, and thin ice from the window. Turn the ignition switch to the ON (II) position. Push the demister button to turn it on and off. The indicator in the button comes on to show the demister is on. It also shuts off when you turn off the ignition switch. You have to turn the demister on again when you restart the vehicle.

*CONTINUED*



# Rear Window Demister

---



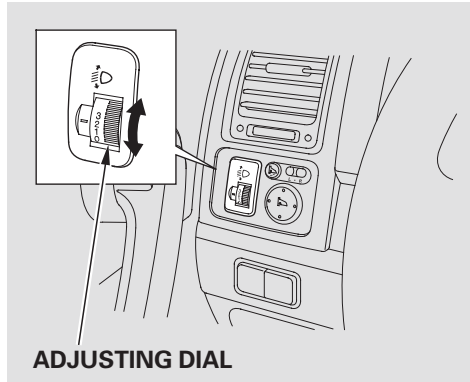
**Automatic air conditioning system**

On some types the demister will shut itself off within about 10 to 30 minutes according to the outside temperature.

Make sure the rear window is clear and you have good visibility before starting to drive.

The demister wires on the inside of the rear window can be accidentally damaged. When cleaning the glass, always wipe side-to-side.

Pushing the demister also turns the mirror heaters on and off. For more information, see page 213 .



The vertical angle of the headlights (low beam) can be adjusted according to the number of persons and the loading weight in the luggage area.

Turn the ignition switch to the ON (II) position. Turn the adjusting dial to select an appropriate angle of the headlights.

- 0: A driver or a driver and passenger in the front seat.
- 1: Five persons in the front and rear seats.
- 2: Five persons in the front and rear seats and luggage in the luggage area, within the limits of maximum permissible axle weight and maximum permissible vehicle weight.
- 3: A driver and luggage in the luggage area, within the limits of maximum permissible axle weight and maximum permissible vehicle weight.

*On vehicles with headlights bulbs of high voltage discharge tube*  
Your vehicle is equipped with an automatic headlight adjusting system that senses changes in the vehicle posture due to riding and loading conditions of the passengers and their luggage and adjusts the vertical angle of the headlights (low beam) automatically.

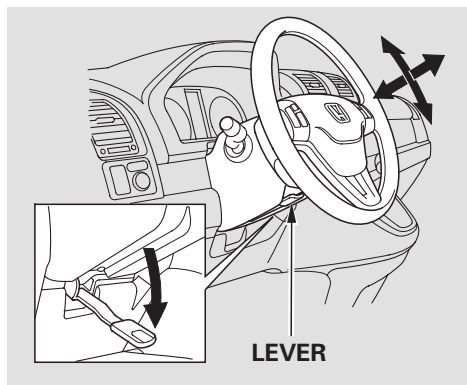
# Steering Wheel Adjustments

Make any steering wheel adjustments before you start driving.

## **⚠ WARNING**

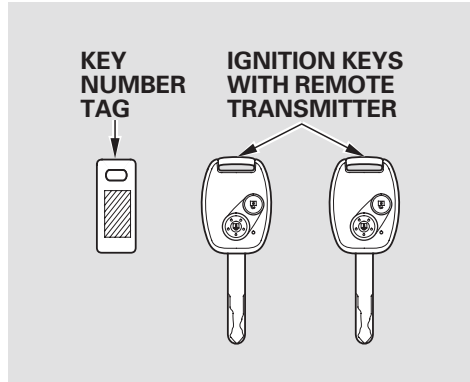
**Adjusting the steering wheel position while driving may cause you to lose control of the vehicle and be seriously injured in a crash.**

**Adjust the steering wheel only when the vehicle is stopped.**



1. Push the lever under the steering column all the way down.
2. Move the steering wheel up or down, and in or out, so it points toward your chest, not toward your face. Make sure you can see the instrument panel gauges and indicators.

3. Push the lever up to lock the steering wheel in position.
4. Make sure you have securely locked the steering wheel in place by trying to move it up, down, in, and out.



Two ignition keys come with your vehicle. You should keep one of them in a safe place, away from the vehicle, as a spare. They fit all the locks on your vehicle.

You should have received a key number tag with your keys. You will need this key number if you ever have to get a lost key replaced. Use only Honda-approved key blanks.

### ***Remote Transmitter***

Your two ignition keys are also fitted with remote transmitters; see page 182 for an explanation of the operation.

These keys contain electronic circuits that are activated by the immobilizer system. They will not work to start the engine if the circuits are damaged.

- Protect the keys from direct sunlight, high temperature, and high humidity.
- Do not drop the keys or set heavy objects on them.
- Keep the keys away from liquids. If they get wet, dry them immediately with a soft cloth.

# Immobilizer System

---

The immobilizer system protects your vehicle from theft. If an improperly-coded key (or other device) is used, the engine's fuel system is disabled.

When you turn the ignition switch to the ON (II) position, the immobilizer system indicator should come on briefly, then go off. If the indicator starts to blink, it means the system does not recognize the coding of the key. Turn the ignition switch to the LOCK (0) position, remove the key, reinsert it, and turn the ignition switch to the ON (II) position again.

The system may not recognize your key's coding if another immobilizer key or other metal object (i.e. key fob) is near the ignition switch when you insert the key.

If the system repeatedly does not recognize the coding of your key, contact your dealer.

Do not attempt to alter this system or add other devices to it. Electrical problems could result that may make your vehicle undrivable.

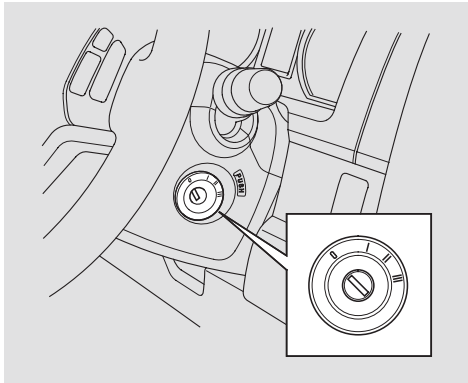
If you have lost your key and cannot start your engine, contact your dealer.

(EU models)

EC Directives

This immobilizer system complies with the R & TTE (Radio equipment and Telecommunications Terminal Equipment and the mutual recognition of their conformity) Directives.

**CE 0891**



The ignition switch has four positions: **LOCK (0)**, **ACCESSORY (I)**, **ON (II)**, and **START (III)**.

**LOCK (0)** — You can insert or remove the key only in this position. To turn the key, push it in slightly. If your vehicle has an automatic transmission, the shift lever must also be in park.


If the front wheels are turned, the anti-theft lock may make it difficult to turn the key. Firmly turn the steering wheel to the left or right as you turn the key.

**ACCESSORY (I)** — You can operate the audio system (on some types) and the cigarette lighter in this position.

**ON (II)** — This is the normal key position when driving. Several of the indicators on the instrument panel come on as a test when you turn the ignition switch from the **ACCESSORY (I)** to the **ON (II)** position.

On some types, the headlights come on automatically in this position.

**START (III)** — Use this position only to start the engine. The switch returns to the **ON (II)** position when you let go of the key.

You will hear a reminder beeper if you leave the key in the ignition switch in the **LOCK (0)** or the **ACCESSORY (I)** position and open the driver's door. On vehicles with multi-information display, you will also see the symbol “,” or the symbol with a “**IGNITION KEY**” message on the multi-information display. Remove the key to turn off the beeper and the warning symbol.

*CONTINUED*

# Ignition Switch, Door Locks

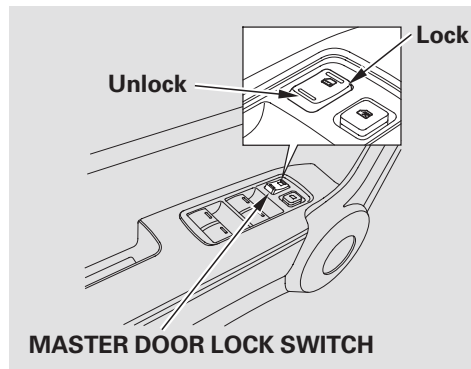
If your vehicle has an automatic transmission, the shift lever must be in Park before you can remove the key from the ignition switch.

## **⚠ WARNING**

**Removing the key from the ignition switch while driving locks the steering. This can cause you to lose control of the vehicle.**

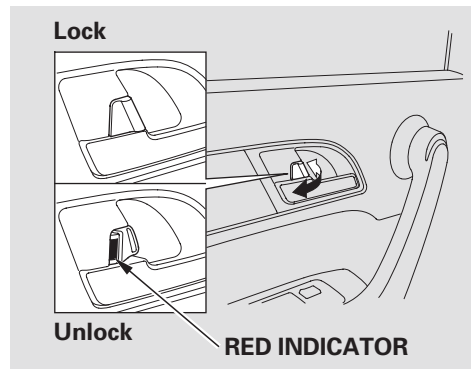
**Remove the key from the ignition switch only when parked.**

## Power Door Locks



To lock the doors and the tailgate, push the top of the master door lock switch on the driver's door, pull the lock tab rearward on the driver's door, or use the key on the outside lock on the driver's door.

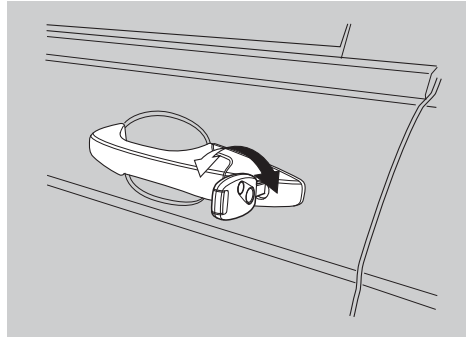
Pushing the bottom of the master door lock switch or pushing forward the lock tab on the driver's door will unlock all doors and the tailgate.



Each door has a lock tab above the inner door handle. Pushing forward or rearward the lock tab on each passenger's door only locks and unlocks that door.

When the door is unlocked, you can see the red indicator on the lock tab above the inner door handle.

To lock any passenger's door when getting out of the vehicle, pull the lock tab rearward and close the door. To lock the driver's door, remove the key from the ignition switch, pull and hold the outside door handle, and pull the lock tab rearward or push the top of the master door lock switch, then close the door.



All doors and tailgate lock or unlock when you use the key to lock or unlock the driver's door.

*On vehicles with security system*  
When you lock the doors and the tailgate with the key or the remote transmitter, all outside turn signals and both indicators in the instrument panel flash three times to verify the doors and the tailgate are locked and the security system has set (see page 279).

The security system activates after you lock the doors and the tailgate with the lock tab on the driver's door or the master door lock switch (see page 279).

### ***Lockout Prevention***

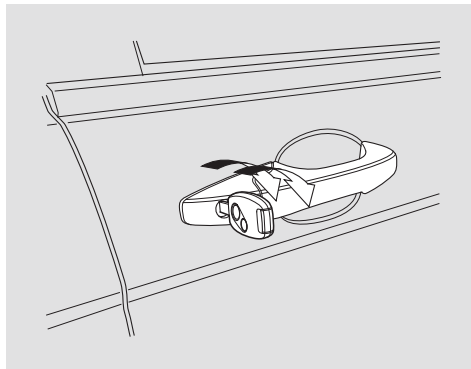
With any door or the tailgate open and the key in the ignition, locking with master door lock switch is disabled. The lock tab on the driver's door is not disabled if the driver's door is closed. Pulling the driver's lock tab rearward will lock all doors and the tailgate. If you try to lock an open driver's door by pulling the lock tab rearward with the outside handle pulled, the lock tabs on all doors pop out and unlock the doors.

*CONTINUED*



# Door Locks

## *Super Locking (For some types)*



The super locking helps to protect your vehicle and valuables from theft. To set the super locking, turn the key towards the front of the vehicle twice within 5 seconds.

The super locking will not set if any door or the tailgate is not fully closed. It will be set even if the bonnet, or any window is open.

With the super locking set, the master door lock switch on the driver's door and the lock tabs on all doors are disabled.

You can also set the super locking with the remote transmitter. To set it, push the LOCK button twice within 5 seconds (see page 183).

To cancel the super locking, unlock the driver's door with the key or the remote transmitter.

*On vehicles with ultrasonic sensor*  
Only the remote transmitter can reset the security system. Unlocking the driver's door with the key activates the alarm.

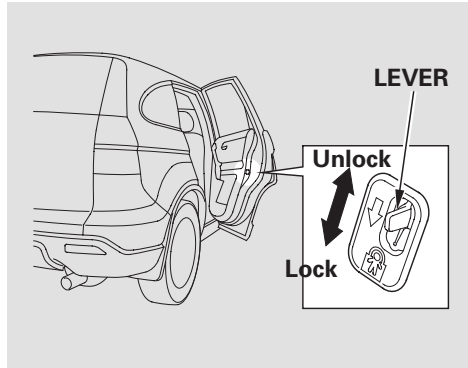
## **⚠ WARNING**

**If there are persons inside the vehicle with the super locking set, they cannot unlock the doors from the inside.**

**Make sure there is no person inside the vehicle before setting the super locking.**

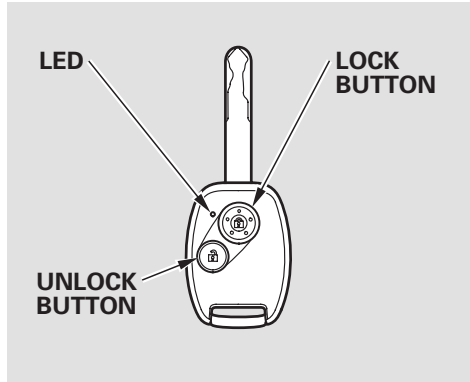
*On vehicles with ultrasonic sensor*  
If you set the super locking with the windows open, the ultrasonic sensor may activate the alarm unexpectedly when the system senses strong vibrations on the vehicle or loud sound.

## Childproof Door Locks



The childproof door locks are designed to prevent children seated in the rear from accidentally opening the rear doors. Each rear door has a lock lever near the edge. With the lever in the LOCK position (lever is down), the door cannot be opened from the inside regardless of the position of the lock tab. To open the door, push the lock tab forward and use the outside door handle.

# Remote Transmitter



**LOCK** — Press this button to lock all doors and the tailgate. When you push the LOCK button, all outside turn signals and both indicators in the instrument panel flash three times to verify the doors and the tailgate are locked and the security system (if equipped) has set. You cannot lock the doors and the tailgate if any door or the tailgate is not fully closed or the key is in the ignition switch.

**UNLOCK** — Press this button to unlock all doors and the tailgate. When you push the UNLOCK button, all outside turn signals, and both indicators in the instrument panel flash once.

The front ceiling light (if the light switch is in the Door position) and rear ceiling light (if the light switch is in the centre position) will come on when you press the UNLOCK button. If you do not open any door or the tailgate within 30 seconds, the lights fade out. If you relock the doors and tailgate with the remote transmitter before 30 seconds have elapsed, the lights will go off immediately.

If you do not open any door or the tailgate within 30 seconds, the doors and the tailgate automatically relock and the security system (if equipped) sets.

You cannot unlock the doors and the tailgate if the key is in the ignition switch.

## ***Super Locking*** ***(For some types)***

You can set the super locking with the remote transmitter. To set the super locking, push the LOCK button twice within 5 seconds.

The super locking will not set if any door or the tailgate is not fully closed. It will be set even if the bonnet or any window is open.

To cancel the super locking, push the UNLOCK button on the remote transmitter, or unlock the driver's door with the key.

See page 180 for information on the super locking.

## **⚠ WARNING**

**If there are persons inside the vehicle with the super locking set, they cannot unlock the doors from the inside.**

**Make sure there is no person inside the vehicle before setting the super locking.**

## **Remote Transmitter Care**

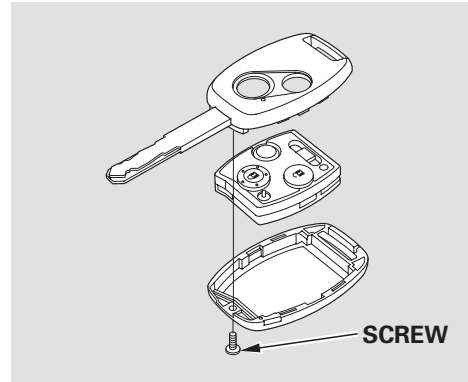
- Avoid dropping or throwing the transmitter.
- Protect the transmitter from extreme temperature.
- Do not immerse the transmitter in any liquid.
- If you lose a transmitter, the replacement needs to be reprogrammed by your dealer.

# Remote Transmitter

## Replacing the Transmitter Battery

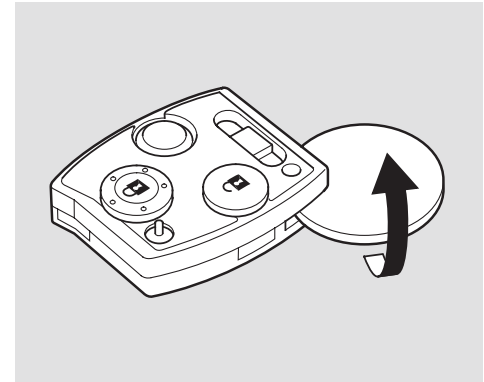
If it takes several pushes on the button to lock or unlock the doors and the tailgate, replace the battery as soon as possible.

Battery type: CR1616

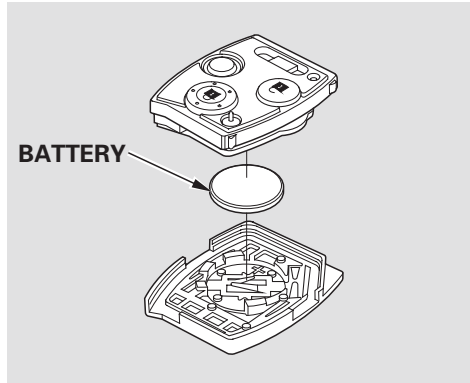


To replace the battery:

1. Remove the screw at the base of the transmitter with a small Phillips-head screwdriver.
2. Separate the transmitter by prying its middle seam with your fingernail.



3. Inside the transmitter, separate the inner cover from the keypad by carefully prying on the edge with a coin.



## NOTICE

An improperly disposed of battery can hurt the environment. Always confirm local regulations for battery disposal.

4. Remove the old battery from the back of the inner cover, and insert a new battery into the back of the cover with the + side facing down.
5. Install the parts in reverse order.

## (EU models)

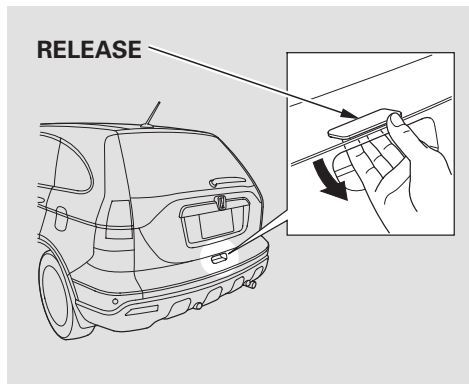
### EC Directives

This keyless entry system complies with the R & TTE (Radio equipment and Telecommunications Terminal Equipment and the mutual recognition of their conformity) Directives.

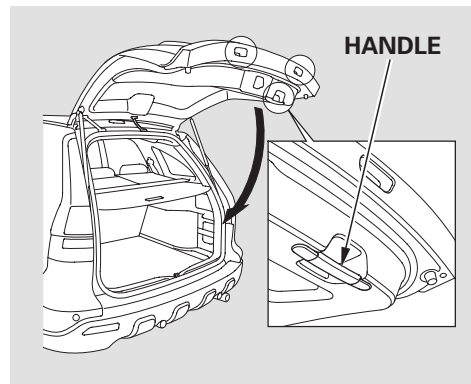
**CE0891**

# Tailgate

The tailgate will lock or unlock when you lock or unlock the driver's door with the key, the remote transmitter, the master door lock switch, or the lock tab on the driver's door.

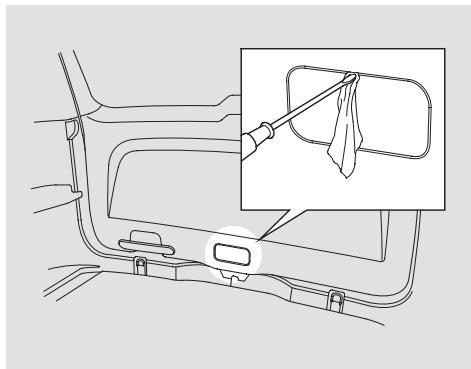


To open the tailgate, push the release, then lift up. To close the tailgate, use the inner handle to pull it down, then press down on the back edge.



Keep the tailgate closed at all times while driving to avoid damaging the tailgate and to prevent exhaust gas from getting into the interior. See **Carbon Monoxide Hazard** on page 72.

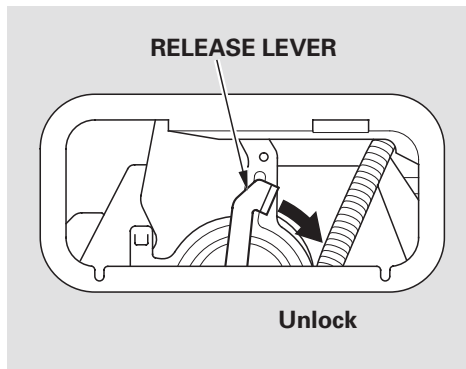
## Opening the Tailgate Manually



If the power door lock system cannot unlock the tailgate, unlock it manually. In this case, you cannot open the tailgate with the release.

To open the tailgate, access the tailgate release lever from inside the vehicle.

Place a cloth on the upper of the cover, then use a small flat-tip screwdriver to remove the cover on the back of the tailgate.



Push the release lever to the lower right as shown.

If you need to open the tailgate manually, it means there is a problem with the tailgate. Have the vehicle checked by your dealer.



# Seats

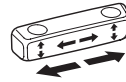
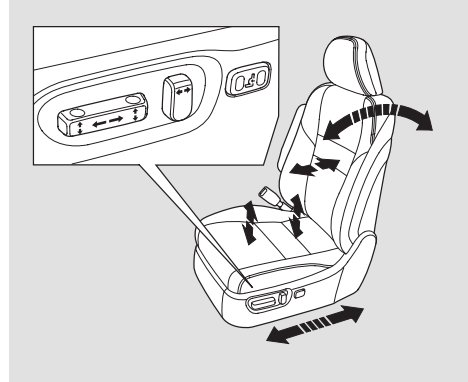
## Driver's Seat Power Adjustments

See pages 17 – 18 for important safety information and warnings about how to properly position the seats and seat-backs.

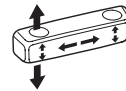
*On vehicles with power adjustable driver's seat*

The controls for the power adjustable driver's seat are on the outside edge of the seat bottom. You can adjust the seat with the ignition switch in any position. Make all seat adjustments before you start driving.

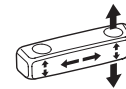
The front passenger's seat can be adjusted manually (see the next page).



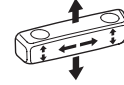
Moves the seat forward and backward.



Moves the front of the seat up or down.



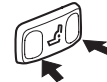
Raises or lowers the seat.



Moves the whole seat up and forward, or down and backward. The front of the seat also tilts up or down at the same time.



Adjusts the seat-back angle forward or backward.

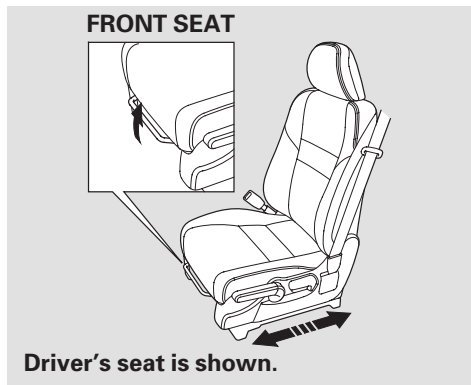


Increases or decreases the lumbar support.

## Manual Seat Adjustments

See pages 17 – 18 for important safety information and warnings about how to properly position the seats and seat-backs.

Make all seat adjustments before you start driving.



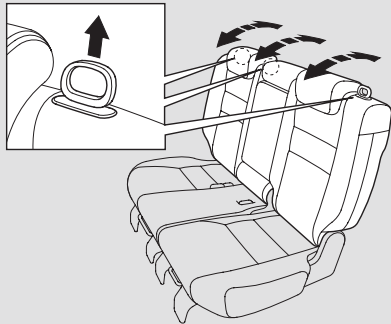
To adjust the front or rear seat forward or backward, pull up on the bar under the seat cushion's front edge. Move the seat to the desired position, and release the bar. Try to move the seat to make sure it is locked in position.



To change the seat-back angle of the front seat, pull up the lever on the outside of the seat bottom.

Once a seat is adjusted correctly, rock it back and forth to make sure it is locked in position.

*CONTINUED*



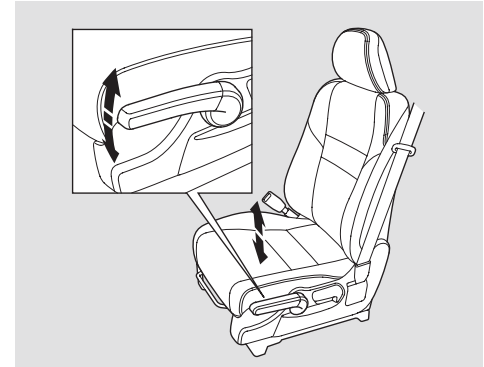
**REAR SEAT**

The angle of each rear seat-back can be adjusted separately. To change the seat-back angle of the rear seat-back, pull up on the release lever on the top of the seat-back. Move the seat-back to the desired position, then release the lever. Make sure the seat-back latches in the new position.

When using the centre seating position, adjust the left and right side of the rear seats to the same position.

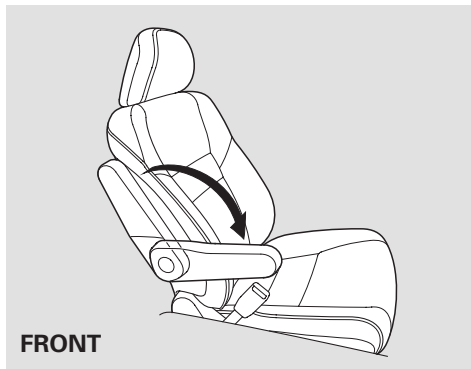
Make sure all rear shoulder belts are positioned in front of the rear seat-backs after you adjust the rear seats.

## **Driver's Seat Height Adjustment (For some types)**

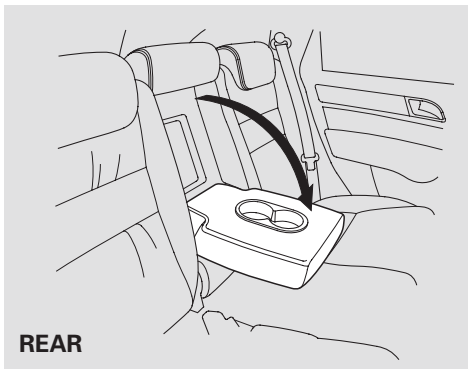


The height of your driver's seat is adjustable. To raise the seat, repeatedly pull up the lever on the outside of the seat cushion. To lower the seat, push the lever down repeatedly.

## Armrests



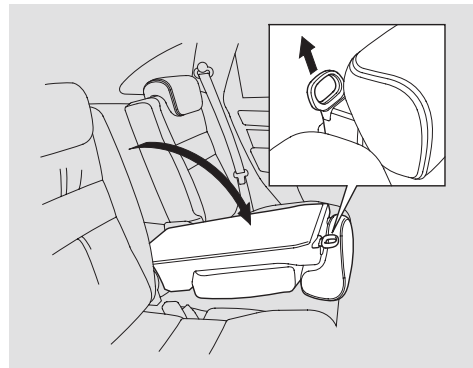
Each front seat has an armrest on the side of the seat-back. To use it, pivot it down.



The rear seat armrest is in the centre of the rear seat. Pivot it down to use it.

A beverage holder is located in the armrest.

## Rear Armrest/Luggage Pass-through



The rear centre seat-back has an armrest. To use it, fold it down. To use the luggage area pass-through, pull up the release on top of the centre seat-back and fold it down.

*CONTINUED*

If your vehicle is equipped with a dual deck luggage shelf, do not use the shelf when any seat-back is folded down. Objects placed on this shelf can be thrown forward and occupants can be injured during sudden stops or a collision.

For more information of the dual deck luggage shelf, see page 205 .

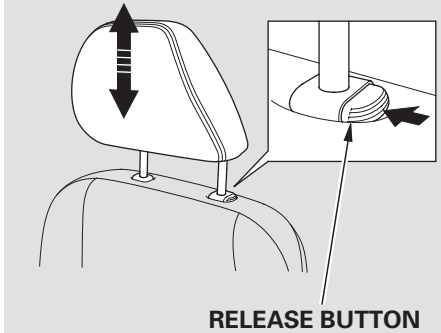
## Head Restraints

*See page 18 for important safety information and a warning about how to properly position the head restraints.*

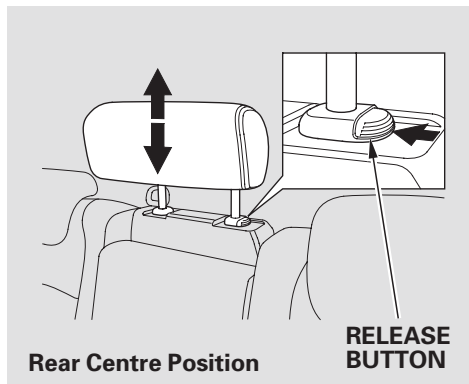
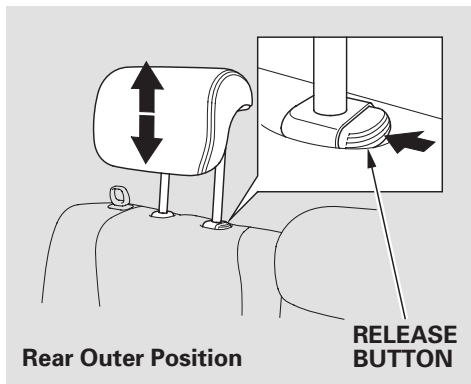
Your vehicle is equipped with head restraints in all seating positions to help protect you and your passengers from whiplash and other injuries.

They are most effective when you adjust them so the back of the occupant's head rests against the centre of the restraint.

### Front Position



The head restraints adjust for height. You need both hands to adjust the restraint. Do not attempt to adjust it while driving. To raise it, pull upward. To lower the restraint, push the release button sideways, and push the restraint down.



When carrying a passenger in the rear centre seating position, make sure the rear centre head restraint is adjusted to its highest position.

To remove a head restraint, pull it up as far as it will go. Push the release button, then pull the restraint out of the seat-back.

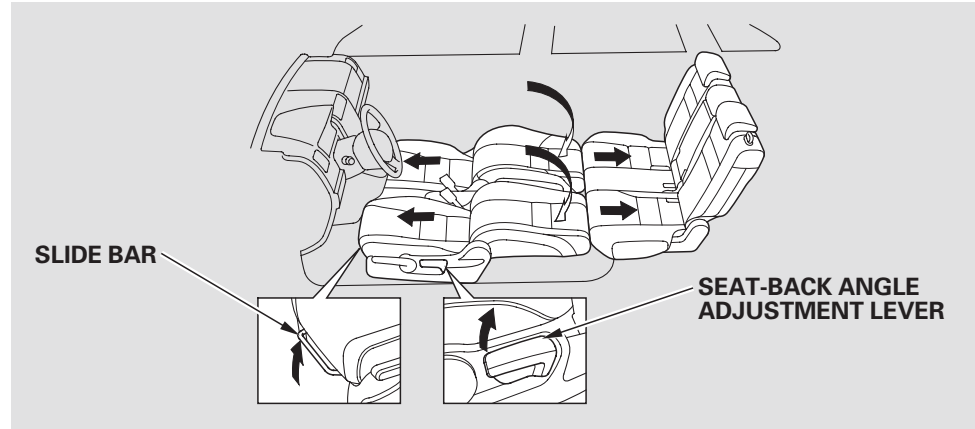
Make sure the removed head restraints are securely stored.

Make sure the head restraint locks in position when you reinstall it.

## **⚠ WARNING**

**Always replace the rear head restraints when the seat-backs are returned to upright position.**

## Reclining the Front Seats



You can recline the seat-backs on the front seats so they are level with the rear seat cushions, making a large cushioned area. To do this:

If your vehicle has the power adjustable driver's seat, only the passenger's side can be level as follows.

1. Adjust the rear seats as far back as possible.
2. Remove the front head restraints (see page 193), and store them securely.

3. Adjust the front seats forward as far as possible. Pull up the seat-back angle adjustment lever and pivot the seat-back backward until it is level with the rear seat cushion.

The seat-back of the power adjustable driver's seat cannot be level. Do not push the seat-back down forcibly.

4. Adjust the rear seat-back to the desired position.

Reverse this procedure to return the front and rear seats to the upright position. Make sure you install the head restraints and securely lock the seats before driving.

When you return the seat-back to its upright position, hold the seat-back to keep it from going up too quickly.

**⚠ WARNING**

**Make sure the seat-backs are latched securely before driving.**

**⚠ WARNING**

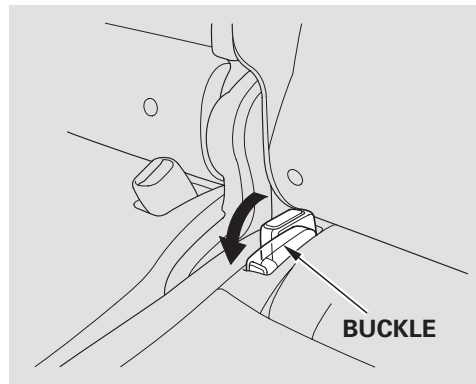
**Always replace the rear head restraints when the seat-backs are returned to upright position.**

**Folding the Rear Seats Down**

Each rear seat-back can be folded down separately to give more luggage room. With either of the outer seat-backs folded-down, you can still carry a passenger in the rear seat. With the centre seat-back folded-down, either outer seating position can be used.

You can also fold up the left or right side of the rear seats separately to create further luggage space (see page 197 ).

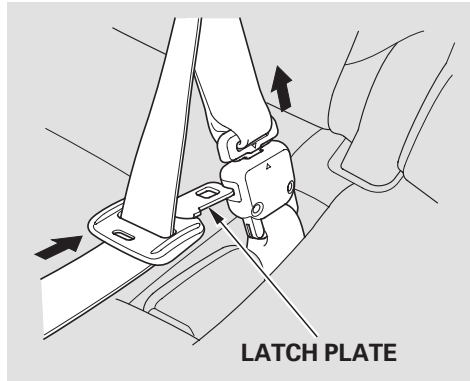
Remove any items from the seat before folding down the seat-back.



1. Push the seat belt buckles into the seat cushion.

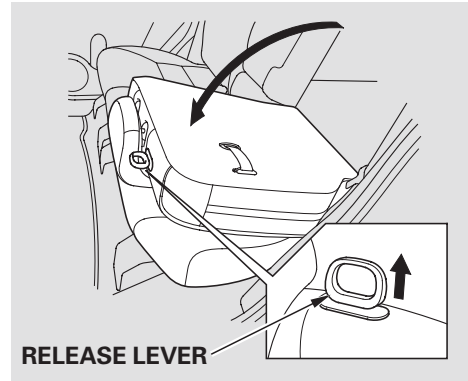
*CONTINUED*





When you are folding the rear centre seat-back, use the latch plate to release the centre seat belt from the detachable anchor (see page 199 ). Allow the seat belt to retract into the holder on the ceiling and store the buckles in it.

Make sure the rear seat armrest is stored.



2. Lower the rear head restraint to its lowest position.
3. Pull up the release lever on the top of the seat-back.
4. Fold the seat-back forward.

Do not put any heavy items on the seat-back when it is folded down.

Reverse this procedure to return the seat-back to the upright position. Make sure the seat is secured and the seat belt in front of the seat-back before driving.

In the rear centre seating position, be sure the detachable anchor is latched securely (see page 199 ).

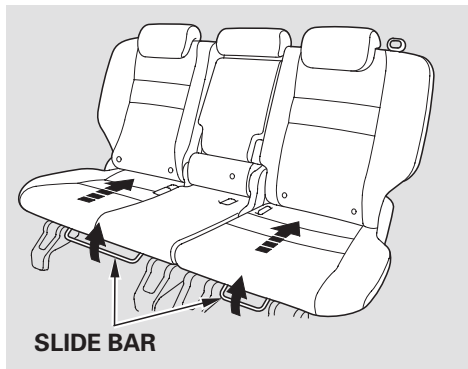
## **WARNING**

**Make sure the seat-backs are latched securely before driving.**

When any seat-back is folded down, do not use the dual deck luggage shelf (if equipped).

Make sure all items in the luggage area are secured. Loose items can fly forward and cause injury if you have to brake hard (See **Carrying Luggage** on page 343 ).

## Folding the Rear Seat Forward



The left and right rear seats can be folded up separately to make room for luggage.

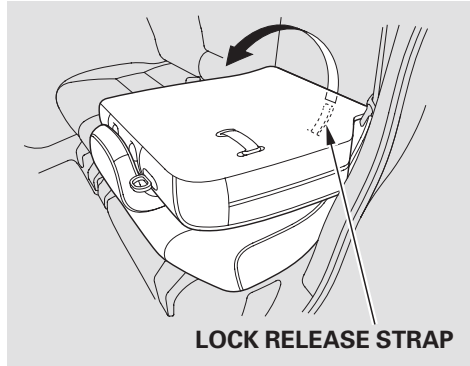
Remove any items from the seat before you fold up the seat cushion.

To fold the rear seat forward:

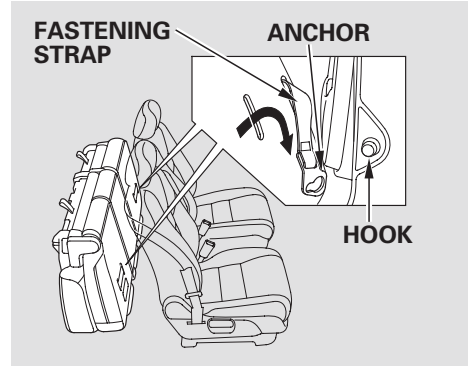
1. Pull up the bar under the seat cushion and slide the rear seat backward. The rear seat will not fold forward unless it is not as far back as it will go.
2. Follow steps 1 through 4 on page 195 for folding down the seat-back.

Lower the centre seat-back before folding the right side seat forward.

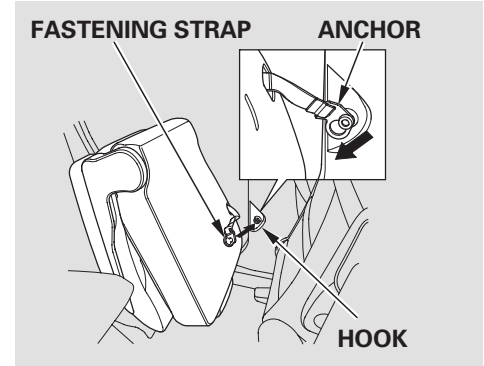
*CONTINUED*



3. Unlock the seat from the floor by pulling the lock release strap under the seat cushion's back edge, then lift the rear of the seat. You cannot fold up the rear seat if it is not latched securely in the rearmost position.



4. Pull out the fastening strap from the slit on the seat-back. Then attach the anchor on the fastening strap to the hook on the centre pillar.



5. Pull down on the anchor to engage the upper part of the anchor securely on the hook, and make sure the seat is secure.

Reverse this procedure to return the seat to the upright position. Make sure the seat is securely latched before driving. When you are not using the fastening strap, store the strap into the slit on the seat-back.

**⚠ WARNING**

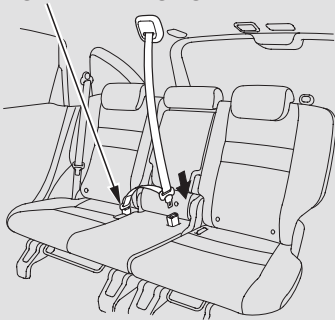
**Make sure the seat-backs are latched securely before driving.**

Make sure both outer seat belts are positioned in side of the rear seat-backs.

In the centre seating position of the rear seat, be sure the detachable anchor is latched securely before using the seat belt (see page 200 ).

Make sure all items in the luggage area are secured. Loose items can fly forward and cause injury if you have to brake hard (See **Carrying Luggage** on page 343 ).

Do not use the dual deck luggage shelf (if equipped) when the seats are folded down or forward.

**Detachable Anchor****DETACHABLE ANCHOR**

The seat belt in the rear centre seat is equipped with a detachable anchor.

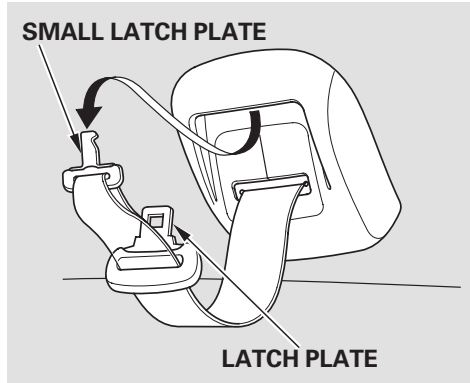
This allows the centre seat belt to be unlatched when the rear centre seat back is folded down or the right side rear seat is folded forward.

**⚠ WARNING**

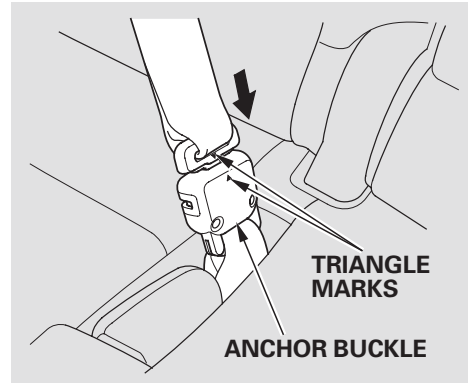
**Using a seat belt with the detachable anchor unlatched increases the chance of serious injury or death in a crash.**

**Before using the seat belt, make sure the detachable anchor is correctly latched.**

*CONTINUED*

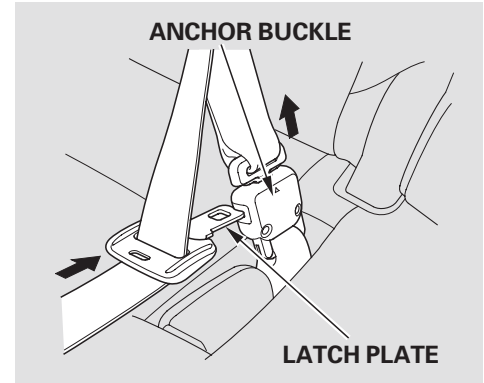


Pull out the small latch plate and the latch plate from each holding slot in the ceiling, and pull out the seat belt to extend it.

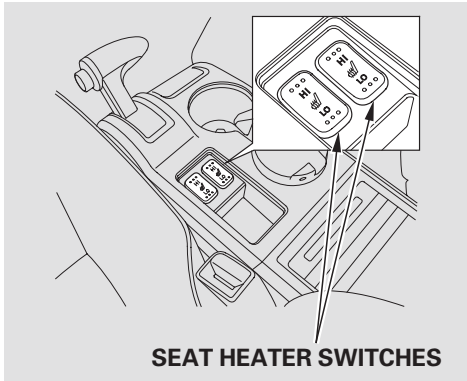


Line up the triangle marks on the small latch plate and anchor buckle when reattaching the belt and buckle.

Tug on the seat belt to verify that the detachable anchor is securely latched. Make sure the seat belt is not twisted.



To unlatch the detachable anchor, insert the latch plate into the slot on the side of the anchor buckle. Store the detachable anchor and seat belt latch plates in the retractor housing.



**SEAT HEATER SWITCHES**

Both front seats are equipped with seat heaters. The ignition switch must be in the ON (II) position to use the heaters.

Push the front of the switch, HI, to rapidly heat up the seat. After the seat reaches a comfortable temperature, select LO by pushing the back of the switch. This will keep the seat warm.

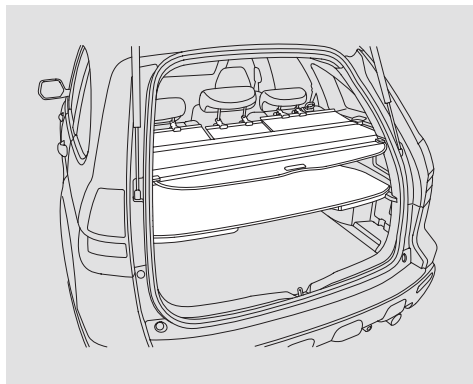
In the HI setting, the heater turns off when the seat gets warm, and turns back on after the seat's temperature drops.

In the LO setting, the heater runs continuously. It does not cycle with temperature changes.

Follow these precautions whenever you use the seat heaters:

- Use the HI setting only to heat the seats quickly, because it draws large amounts of current from the battery.
- If the engine is left idling for an extended period, do not use the seat heaters, even on the LO setting. It can weaken the battery, causing hard starting.

# Tonneau Cover (For some types)



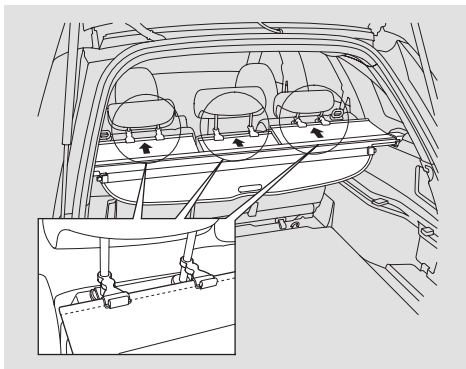
You can use the tonneau cover to conceal your parcels and protect them from direct sunlight.

The tonneau cover can be extended forward and rearward separately.

The left, centre and right part of the front cover can be used separately.

Do not store parcels on the tonneau cover. The tonneau cover may break if weight is placed on it.

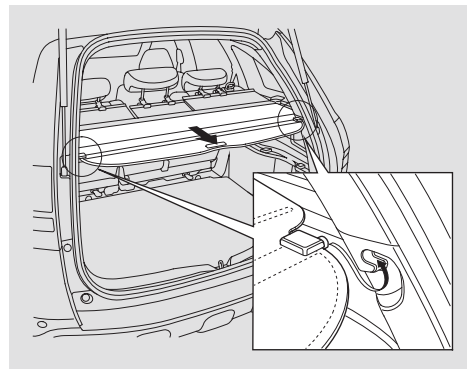
## *Using Each Front Cover*



To extend each front cover, pull the clips of the cover, and attach them to the legs of each rear head restraint.

To retract each front cover, detach the clips and guide the cover, so it rolls back fully into its housing.

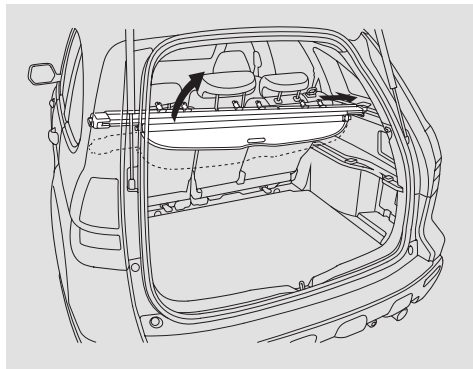
## *Using Rear Cover*



To extend the rear cover, pull the cover's leading edge, then clip the mounting rods in the hooks at both sides of the tailgate opening.

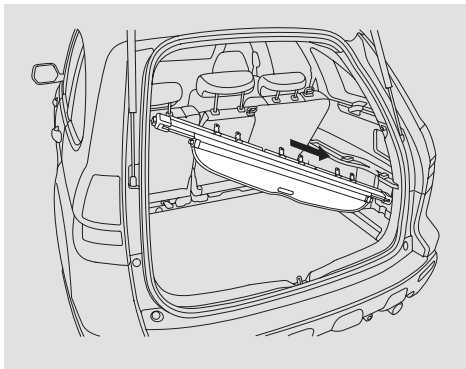
To retract the rear cover, slip the rods out of the hooks and guide the cover so it rolls back fully into its housing.

## ***Storing the Tonneau Cover Housing Unit***

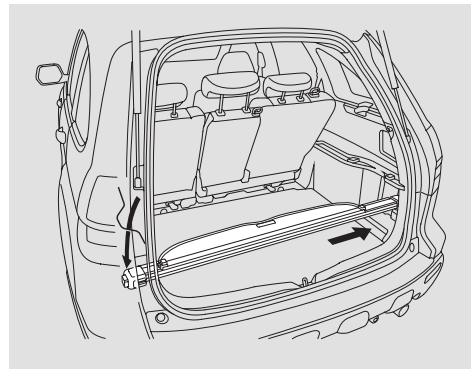


You can store the tonneau cover housing on the luggage area floor to make a large room.

1. Retract all covers fully into the tonneau cover housing.
2. Release each side of the tonneau cover housing unit by pushing the left end of the unit toward the right end and lifting it upward.



3. Lower the right end of the unit, and insert it into the holder on the right side panel.

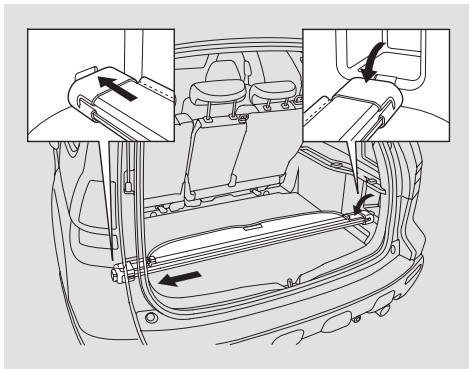


4. While pushing the right end of the housing unit to the right holder, lower the left end through the opening on the left side panel.

*CONTINUED*



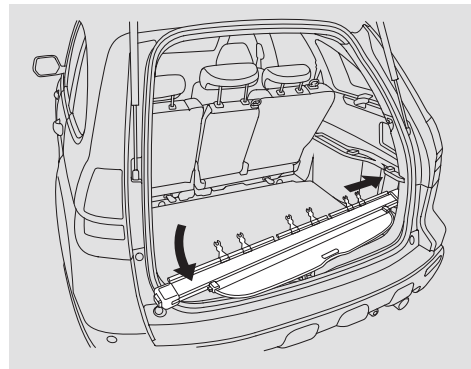
# Tonneau Cover (For some types)



5. While pushing the left end, install the right side of the housing unit in the holder on the lower right side panel.

Make sure the housing unit is securely placed so it will not come loose while you are driving.

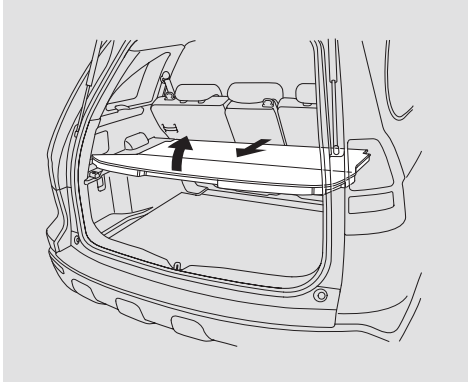
Reverse this procedure to install the tonneau cover housing unit in place.



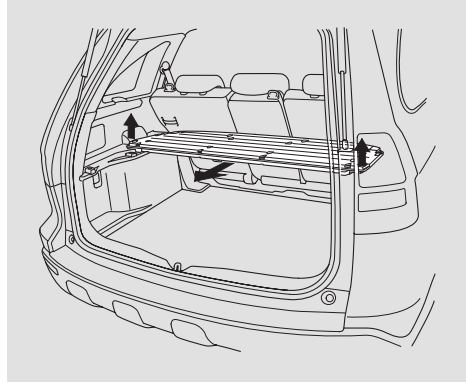
To remove the tonneau cover housing unit from the vehicle, follow the step 3, then take it out while pushing the right end of the housing. Do not pull it out forcibly.

Do not put heavy weight on the tonneau cover housing unit. This may damage it.

## Dual Deck Luggage Shelf (For some types)

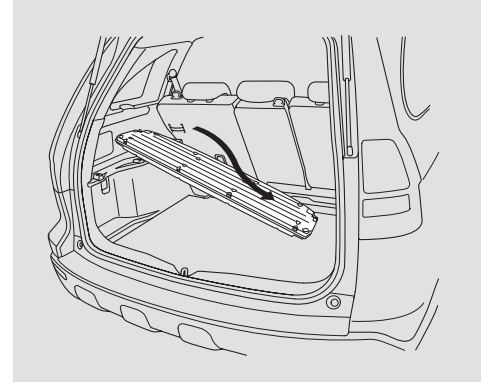


The dual deck luggage shelf will separate the storage area into two storage areas. On the upper area, you can store small and light items. You should place heavy items in the lower storage area. You can remove the dual deck luggage shelf and store it on the luggage floor to make a larger luggage area.



Make sure to use the dual deck luggage shelf fully opened and securely latched.

To remove the dual deck luggage shelf, fold up the rear half of the shelf forward onto the front half, push up on both sides, then pull it toward you.

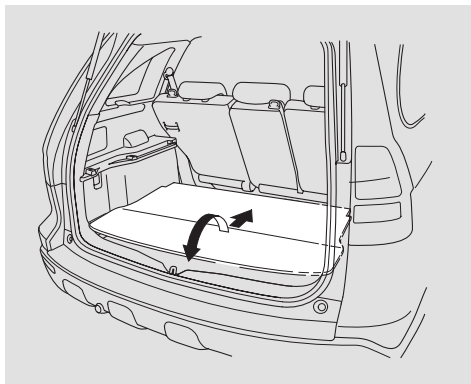


To store the dual deck luggage shelf, lift up either side of it, then move it as shown above.

Place the dual deck luggage shelf on the far side of the luggage floor, then slide it forward while folding out the upper half of the shelf.

*CONTINUED*

## Dual Deck Luggage Shelf (For some types)



The dual deck luggage shelf can be placed on the floor as shown above.

Reverse this procedure to return the dual deck luggage shelf to the upper position. Make sure the dual deck luggage shelf is latched securely.

### **⚠ WARNING**

**Do not use this shelf if the second row seats are folded down.**

**Objects placed on the shelf could be thrown forward during a crash or sudden stop and hurt someone.**

When any of the rear seats are folded down or forward, do not place any objects on the dual deck luggage shelf. Make sure to store the shelf on the luggage area floor. It could be unlatched during a crash.

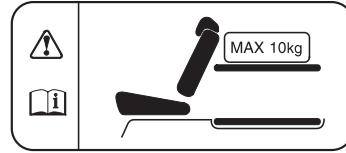
The maximum load on the dual deck luggage shelf is 10kg. This is shown on a label on the left side of the dual deck luggage shelf (see next page). To prevent damage to the dual deck luggage shelf, do not exceed the maximum load.

Make sure all items in the luggage area are secured. Loose items can fly forward and cause injury if you have to brake hard (See **Carrying Luggage** on page 343).

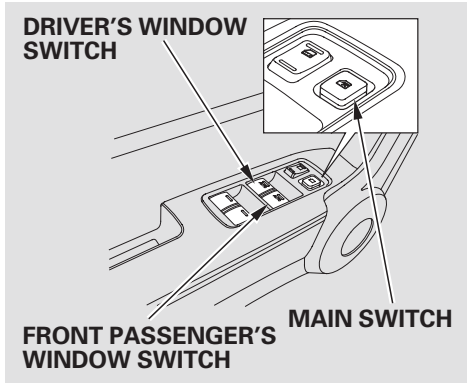
### NOTICE

To prevent damage, do not place more than 10 kg on this shelf.

To remind you of how to use the dual deck luggage shelf properly, a label shown below is attached to the shelf.



# Power Windows



Turn the ignition switch to the ON (II) position to raise or lower any window. To open a window, push the switch down lightly and hold it. Release the switch when you want the window to stop. Pull back on the switch and hold it to close the window.

The windows will operate for up to 10 minutes after you turn off the ignition switch. Opening either front door cancels this function.

## **⚠ WARNING**

**Closing a power window on someone's hands or fingers can cause serious injury.**

**Make sure your passengers are away from the windows before closing them.**

**WARNING:** *Always take the ignition key with you whenever you leave the vehicle alone (with other occupants).*

The driver's door armrest has a master power window control panel. To open any of the passengers' windows, push down lightly on the appropriate switch, and hold it until the window reaches the desired position. To close the window, pull back lightly on the window switch. Release the switch when the window gets to the position you want.

**AUTO** – To open the driver's or the front passenger's window fully, push the window switch firmly down, then release it. The window automatically goes down all the way. To stop the window from going all the way down, pull back on the window switch briefly.

To close the driver's or the front passenger's window fully, pull back the window switch firmly, then release it. The window automatically goes all the way up. To stop the window from going all the way up, push down on the window switch briefly.

To open or close the driver's or the front passenger's window partially, push down or pull back on the window switch lightly and hold it. The window will stop when you release the switch.

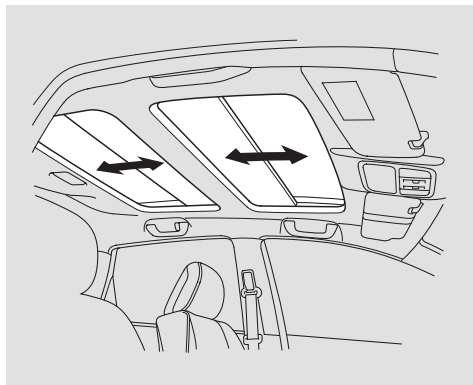
When you push the MAIN switch in, the switch is off, and the passengers' windows cannot be raised or lowered. To cancel this feature, push on the switch again to get it to pop out. Keep the MAIN switch pushed in when you have children in the vehicle so they do not injure themselves by operating the windows unintentionally.

The indicators inside the switches come on when you turn the ignition switch to the ON (II) position.

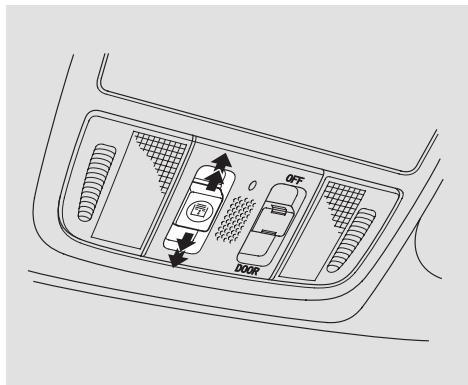
**AUTO REVERSE** — If either of the front windows runs into any obstacle while it is closing automatically, it will stop, and then reverse direction. To close the window, remove the obstacle, then use the window switch again.

Auto reverse stops sensing when the window is almost closed. You should always check that all passengers and objects are away from the window before closing it.

## Sunshades (For some types)



Both of the front and rear sunshades can be opened. The front sunshade is rolled up in the centre holder from front to rear, and the rear sunshade from rear to front at the same time. Use the switch on the front ceiling to operate the sunshades. You must turn the ignition switch to the ON (II) position to operate the sunshades.



To open the sunshades, push the switch backward and hold it. To close them, push the switch forward and hold it. Release the switch when the sunshades reach the desired position, or to stop the operation.

The front and rear sunshades can only be opened or closed together

### **WARNING**

Opening or closing the sunshade on someone's hands or fingers may cause injury.

**Make sure all hands and fingers are clear of the sunshade before opening or closing it.**

**WARNING:** *Always take the ignition key with you whenever you leave the vehicle alone (with other occupants).*

**AUTO** — To open the sunshades fully, push the switch backward firmly, then release it. The sunshades automatically open all the way. To stop the sunshades from opening, push the switch briefly.

To close the sunshade fully, push the switch forward firmly, then release it. The sunshades automatically close all the way. To stop the sunshades from closing, push the switch briefly.

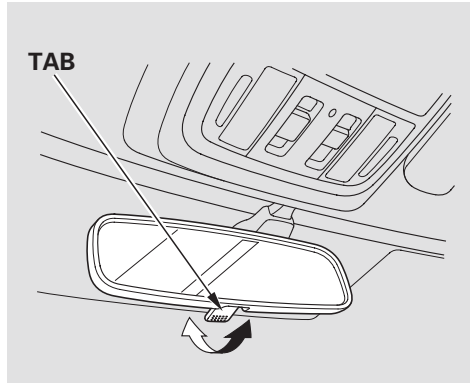
To open or close the sunshades partially, push the sunshade switch backward or forward lightly and hold it. The sunshade will stop when you release the switch.

**AUTO REVERSE** — If either of the front and rear sunshades runs into any obstacle while they are closing automatically, each sunshade will reverse direction and then stop. To close the sunshades, remove the obstacle, then use the sunshade switch again.

Auto reverse stops sensing when each sunshade is almost closed. You should always check that all passengers and objects are away from the sunshades before closing them.

The sunshades have a key-off delay. You can still open and close the sunshades for up to 10 minutes after you turn off the ignition switch. The key-off delay cancels as soon as you open either front door.

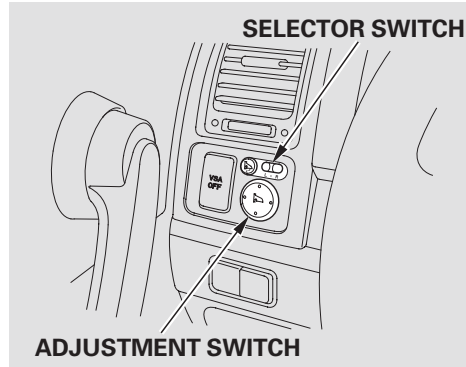




Keep the inside and outside mirrors clean and adjusted for best visibility. Be sure to adjust the mirrors before you start driving.

The inside mirror has day and night positions. The night position reduces glare from headlights behind you. Flip the tab on the bottom edge of the mirror to select the day or night position.

## Adjusting the Power Mirrors

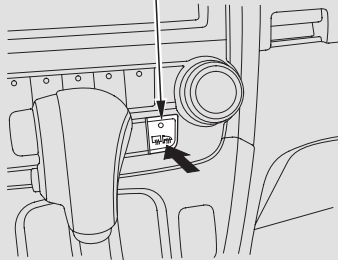


1. Turn the ignition switch to the ON (II) position.
2. Move the selector switch to L (left side) or R (right side).

3. Push the appropriate edge of the adjustment switch to move the mirror right, left, up, or down.
4. When you finish, move the selector switch to the centre (off) position. This turns off the adjustment switch to keep your settings.

## Power Mirror Heaters

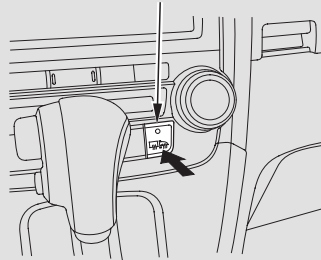
### REAR WINDOW DEMISTER/ HEATED MIRRORS BUTTON



Manual air conditioning type

The outside mirrors are heated to remove fog and frost. With the ignition switch in the ON (II) position, turn on the heaters by pressing the rear window demister button. The indicator in the button comes on as a reminder. Press the button again to turn the heaters and the demister off.

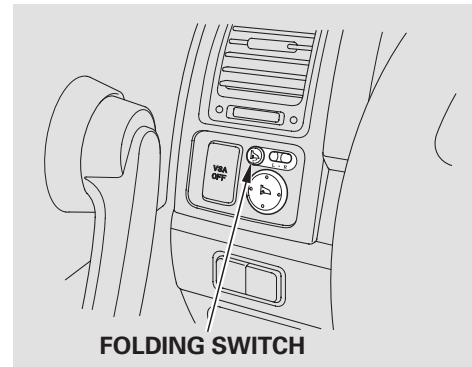
### REAR WINDOW DEMISTER/ HEATED MIRRORS BUTTON



Automatic air conditioning type

On some types, this heated mirror function has a timer (see page 172 ).

## Folding Door Mirrors (For some types)

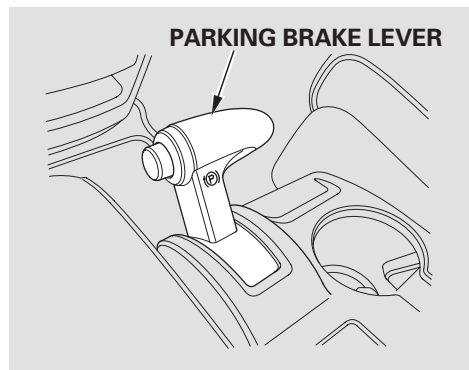


Door mirrors can be folded by the folding switch next to the main switch, which enables you to park your vehicle in a limited parking space easily. Make sure you fold out the mirrors before you start driving. With the ignition switch in the ON (II) position, press the folding switch to fold up both outside mirrors simultaneously. To fold out, press the switch again. *CONTINUED*

# Mirrors, Parking Brake

Never drive your vehicle with the outside mirrors folded.

## Parking Brake




To apply the parking brake, pull the lever up fully. To release it, pull up slightly, push the button, and lower the lever. The parking brake indicator on the instrument panel should go out when the parking brake is fully released (see page 86).

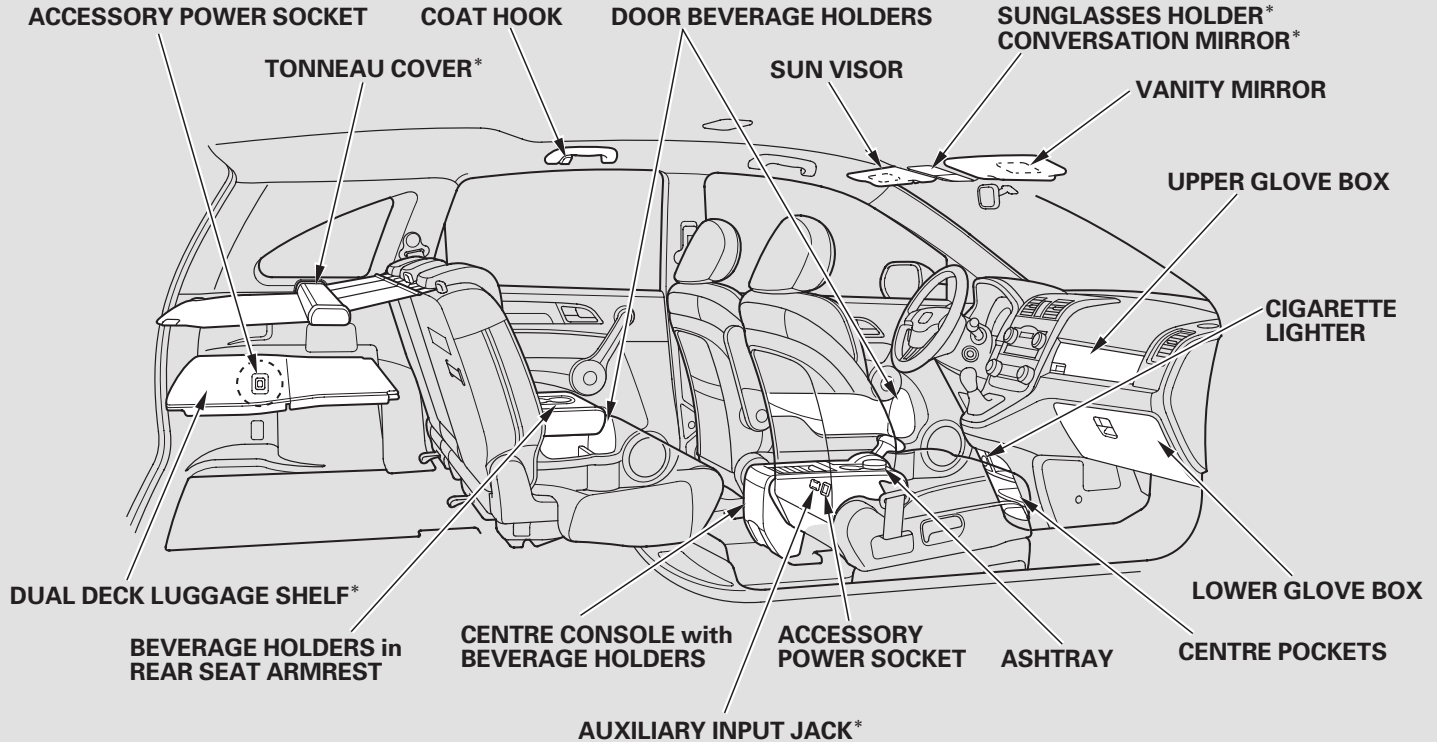
## NOTICE

Driving the vehicle with the parking brake applied can damage the rear brakes and axles. A beeper will sound if the vehicle is driven with the parking brake on.

*On vehicles with multi-information display*

You will also see the symbol “,” or this symbol with a “RELEASE PARKING BRAKE” message on the multi-information display.

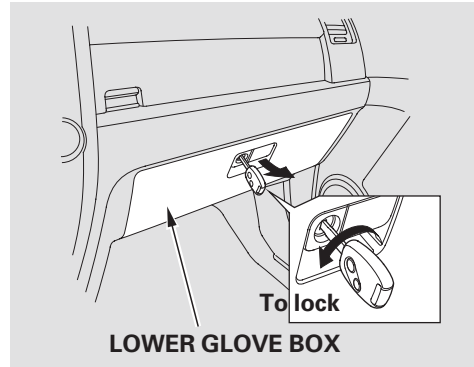
# Interior Convenience Items



\* : If equipped

# Interior Convenience Items

## Lower Glove Box



Open the lower glove box by pulling the bottom of the handle. Close it with a firm push.

You can lock or unlock the glove box with the ignition key.

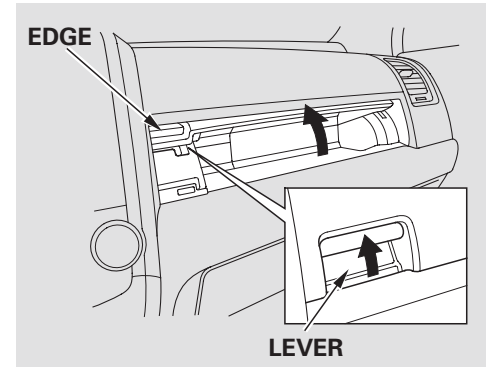
On some types, the glove box light comes on only when the position lights are on.

## **⚠ WARNING**

**An open glove box can cause serious injury to your passenger in a crash, even if the passenger is wearing the seat belt.**

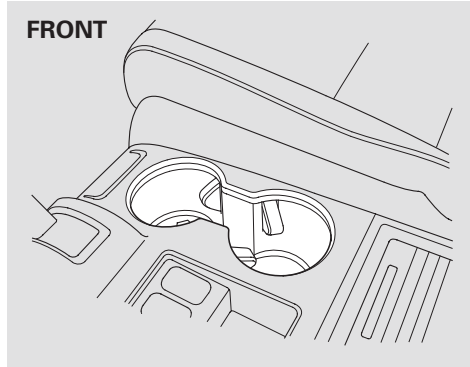
**Always keep the glove box closed while driving.**

## Upper Glove Box



Open the upper glove box by pushing up the lever. Close it by pulling down on the edge under the lever.

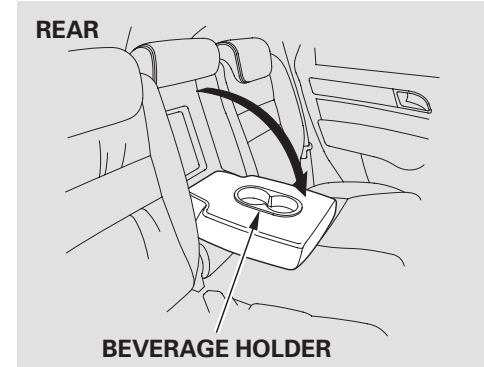
## Beverage Holders



The front beverage holder is in the centre console compartment.

Be careful when you are using the beverage holders. A spilled liquid that is very hot can scald you or your passengers. Liquid can also spill from the door pocket beverage holders when you open or close the doors. Use only resealable containers in the door pockets.

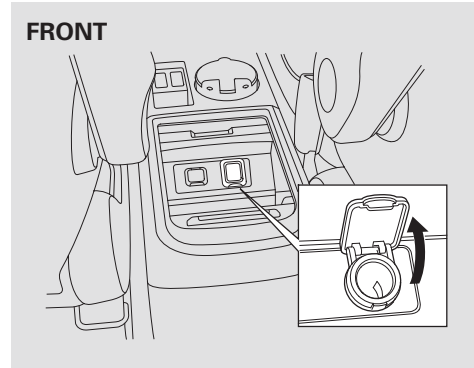
Spilled liquids can damage the upholstery, carpeting, and electrical components in the interior.



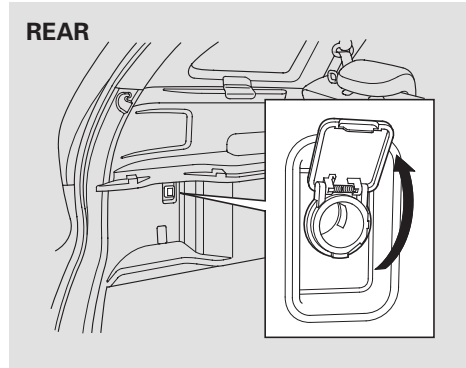
*On vehicles with rear seat armrest*  
The rear seat also has a beverage holder in the centre armrest. To use it, pivot the armrest down.

# Interior Convenience Items

## Accessory Power Sockets



Your vehicle has two accessory power sockets. Each socket is intended to supply power for 12 volt DC accessories that are rated 120 watts or less (10 amps).

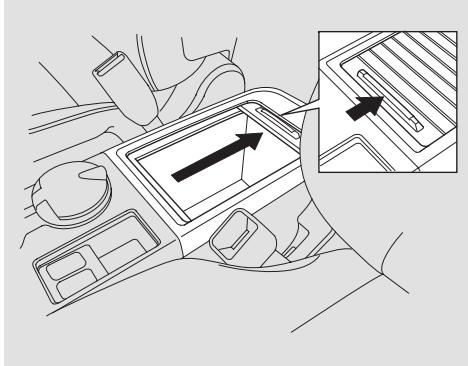


To use an accessory power socket, the ignition switch must be in the ACCESSORY (I) or ON (II) position. They will not power an automotive type cigarette lighter element.

It is recommended that these accessory sockets are used for genuine Honda accessories.

Make sure to put the socket cover back in place to prevent any small foreign objects getting into the socket.

## Console Compartment

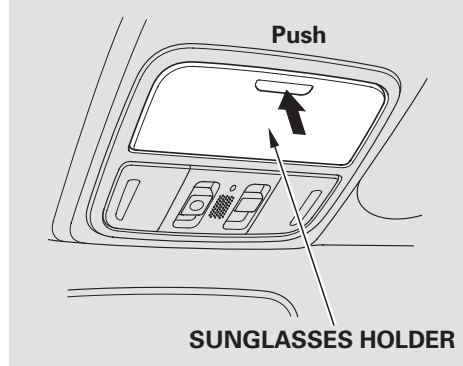


To open or close the console compartment, slide the lid rearward or forward.

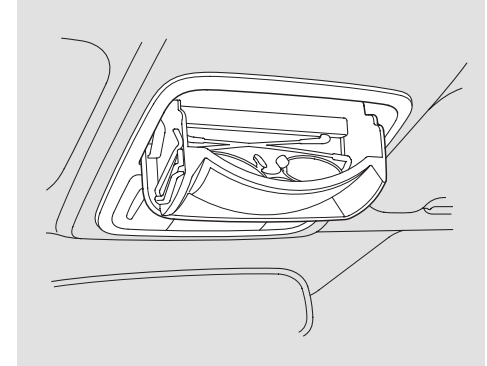
### *On some types*

There is a sunglasses holder in the console compartment. Slide it forward or rearward to access the lower part of the compartment.

## Sunglasses Holder



To open the sunglasses holder, push on the raised detent. It will unlatch and swing down. To close it, push it until it latches. Make sure the holder is closed while you are driving.



Some larger styles of sunglasses may not fit in the holder.

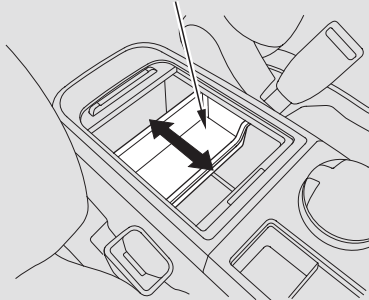
You may also store small items in this holder. Make sure they are small enough to let the holder close and latch, and that they are not heavy enough to cause the holder to pop open while driving.

*CONTINUED*



# Interior Convenience Items

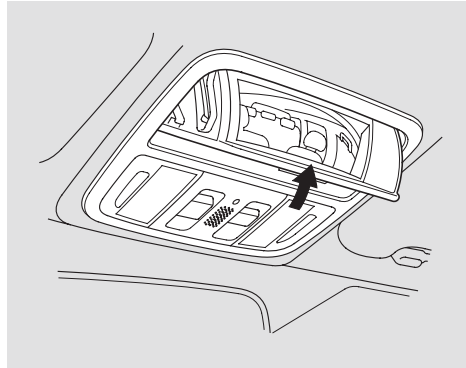
## SUNGLASSES HOLDER



*On some types*

The sunglasses holder is located in the centre console compartment.

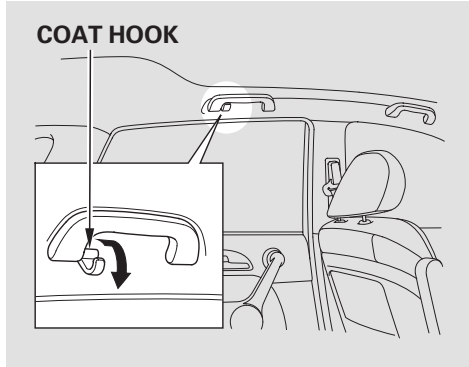
## Conversation Mirror (For some types)



The sunglasses holder uses a convex mirror for its bottom panel. You can see all the vehicle passengers in this mirror. To use the mirror, open the sunglasses holder fully, push it to the first detent, and release it.

To switch back to the sunglasses holder, close the conversation mirror and then open the sunglasses holder.

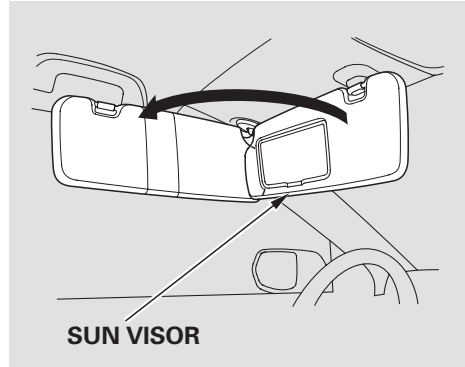
## Coat Hook



To use a coat hook, slide it out slightly, then pull it down.

Make sure the coat hook is pulled up when you are not using it. This hook is not designed for large or heavy items.

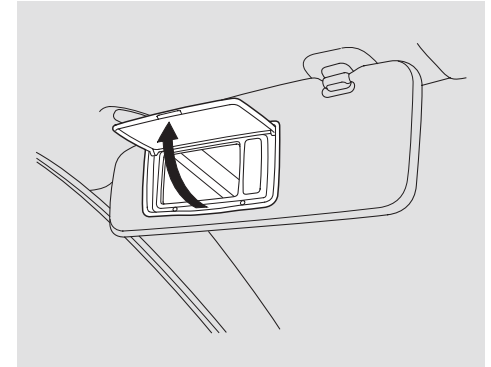
## Sun Visor



To use the sun visor, pull it down. You can also use the sun visor at the side window. Remove the support rod from the clip and swing the sun visor toward the side window.

Make sure you put the sun visor back in place when you are getting into or out of the vehicle.

## Vanity Mirror



Pull up the vanity mirror cover to use it.

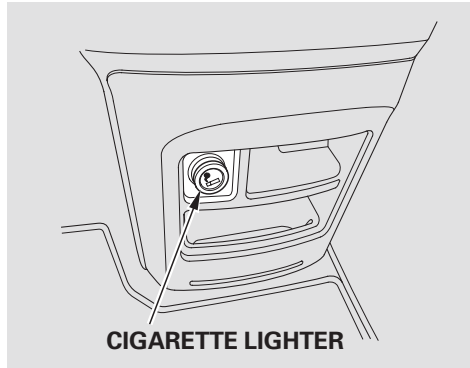
*On some types*

The light comes on when you pull up the cover.

Make sure you close the cover when you are not using the vanity mirror. The vanity mirror light will not come on if the sun visor is moved to the side window.

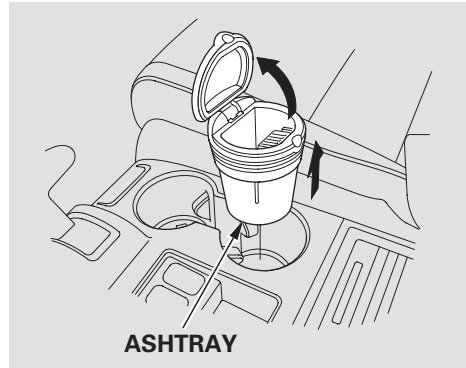
# Interior Convenience Items

## Cigarette Lighter



The ignition switch must be in the ACCESSORY (I) or the ON (II) position for the cigarette lighter to work. To heat up the lighter, push it in. It will pop out when it is ready for use. Do not hold the lighter in while it is heating up, you could cause it to overheat.

## Ashtray (For some types)

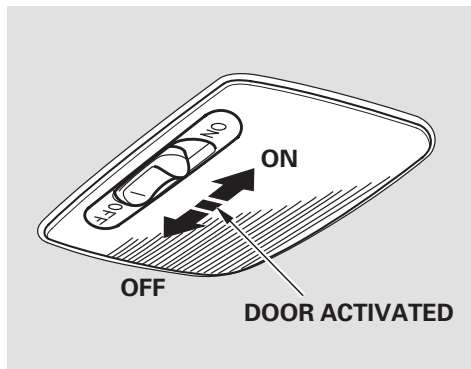


A removable ashtray is equipped with your vehicle. The ashtray fits in the beverage holders. To open it, pull up on the lid.

## NOTICE

Use the ashtray only for cigarettes, cigars, and other smoking materials. To prevent a possible fire and damage to your vehicle, don't put paper or other things that can burn in the ashtray.

## Ceiling Light



The ceiling light has a three-position switch; ON, Door Activated, and OFF. In the Door Activated (centre) position, the light comes on when you:

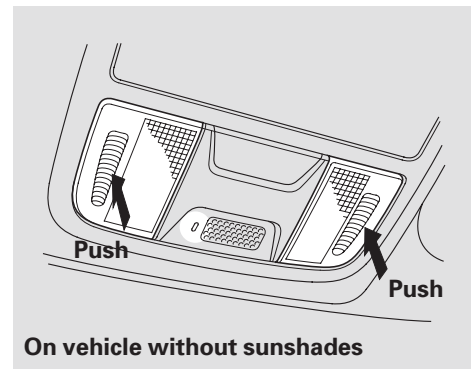
- Open any door.
- Remove the key from the ignition switch. If you do not open a door, the light fades out in about 30 seconds.

- Unlock the doors and the tailgate with the key or remote transmitter.

After all doors are closed tightly, the light dims slightly, then fades out in about 30 seconds. The light turns off before 30 seconds have elapsed if you insert the key to the ignition switch.

If you leave any door open without the key in the ignition switch, the ceiling light will go off after 3 minutes.

## Spotlights

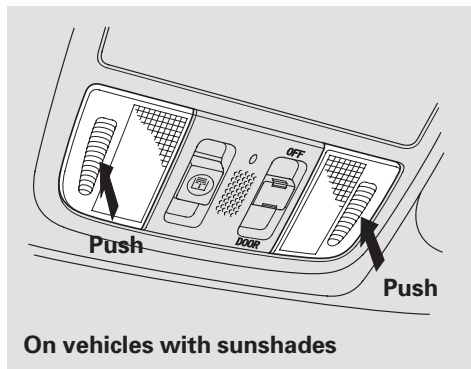


**On vehicle without sunshades**

Turn on a spotlight by pushing the lens. Push the lens again to turn it off. You can use the spotlights at all times.

*CONTINUED*

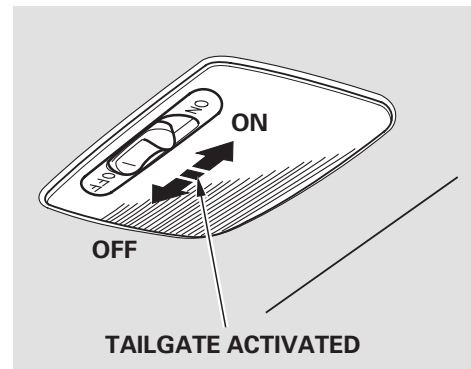
# Interior Lights



*On vehicles with sunshades*  
The spotlights have a two-position switch. In the DOOR position, the lights come on when you open any door. In the OFF position, the lights do not come on.

The spotlights (with the switch in the DOOR position) also come on when you unlock the door with the key or the remote transmitter, and when you remove the key from the ignition switch.

## Luggage Area Light

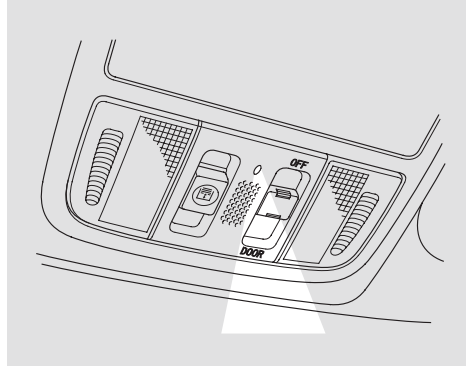


The luggage area light has a three-position switch. In the OFF position, the light does not come on. In the centre position, it comes on when you open the tailgate. In the ON position, it stays on continuously.

## Ignition Switch Light

The ignition switch light comes on when you open the driver's door, and fades out in about 30 seconds after you close the door.

## Courtesy Light



The courtesy light between the spotlights comes on when you turn the position lights on. To adjust its brightness, turn the instrument panel brightness control knob on the dashboard, with the ignition switch in the ON (II) position (see page 170).



The heating and air conditioning system in your vehicle provides a comfortable driving environment in all weather conditions.

The standard audio system on some models has many features. This section describes those features and how to use them.

*On some types*

Your vehicle has an anti-theft audio system that requires a code number to enable it.

*On some types*

The security system helps to discourage vandalism and theft of your vehicle.

Vents, Heating, and A/C .....	228
Using the A/C.....	233
Climate Control System.....	235
Sunlight and Temperature Sensors.....	243
Audio System .....	245
Playing the Radio.....	246
Playing a Disc.....	258
Protecting Your Discs.....	268
Disc Player/Changer Error Messages.....	269
Optional Disc Changer Error Messages.....	270
Playing a Tape.....	271
Remote Audio Controls.....	274
Auxiliary Input Jack.....	275
Radio Theft Protection.....	276
Setting the Clock .....	277
Security System .....	279
Cruise Control.....	282
Adaptive Cruise Control .....	285
Parking Sensor System.....	303
Rearview Camera and Monitor....	308
Hands-Free Telephone System....	309



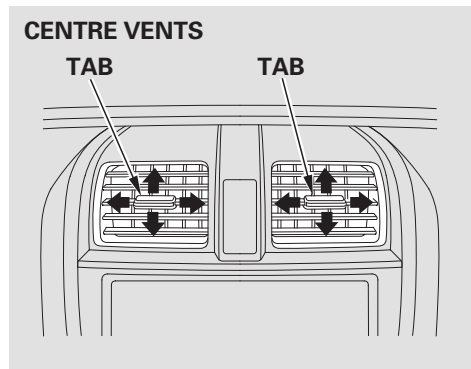
# Vents, Heating, and A/C

*On vehicles with manual air conditioning system*

Proper use of the heating and cooling system can make the interior dry and comfortable, and keep the windows clear for the best visibility.

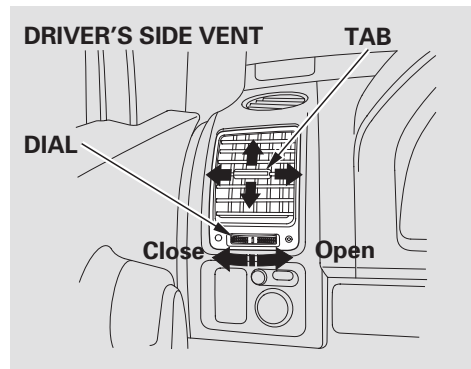
The engine must be running for the heater and air conditioning to generate hot and cold air.

## Vent Controls



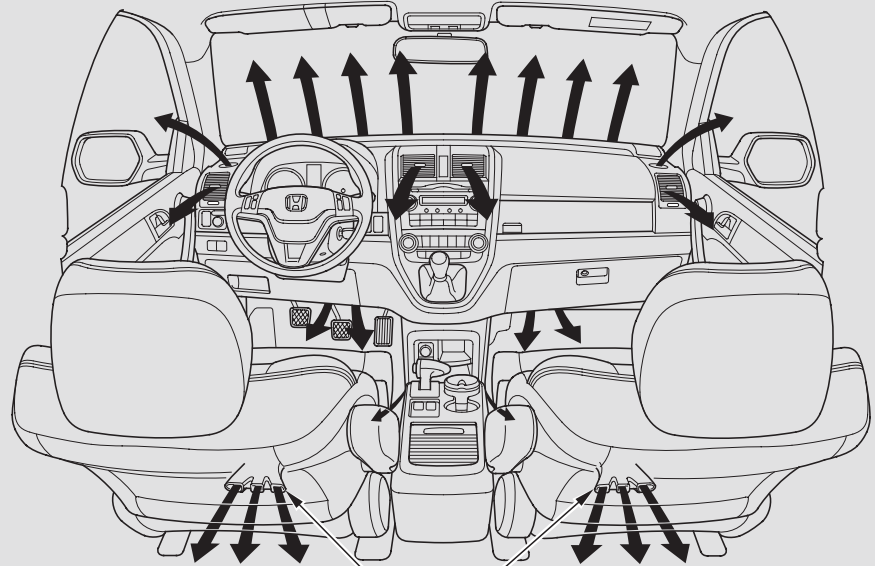
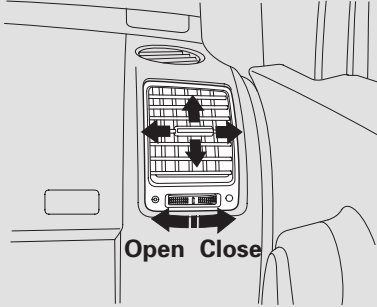
The direction of airflow from the vents in the centre and each corner of the dashboard is adjustable.

To adjust the airflow from each vent, move the tab up-and-down and side-to-side.



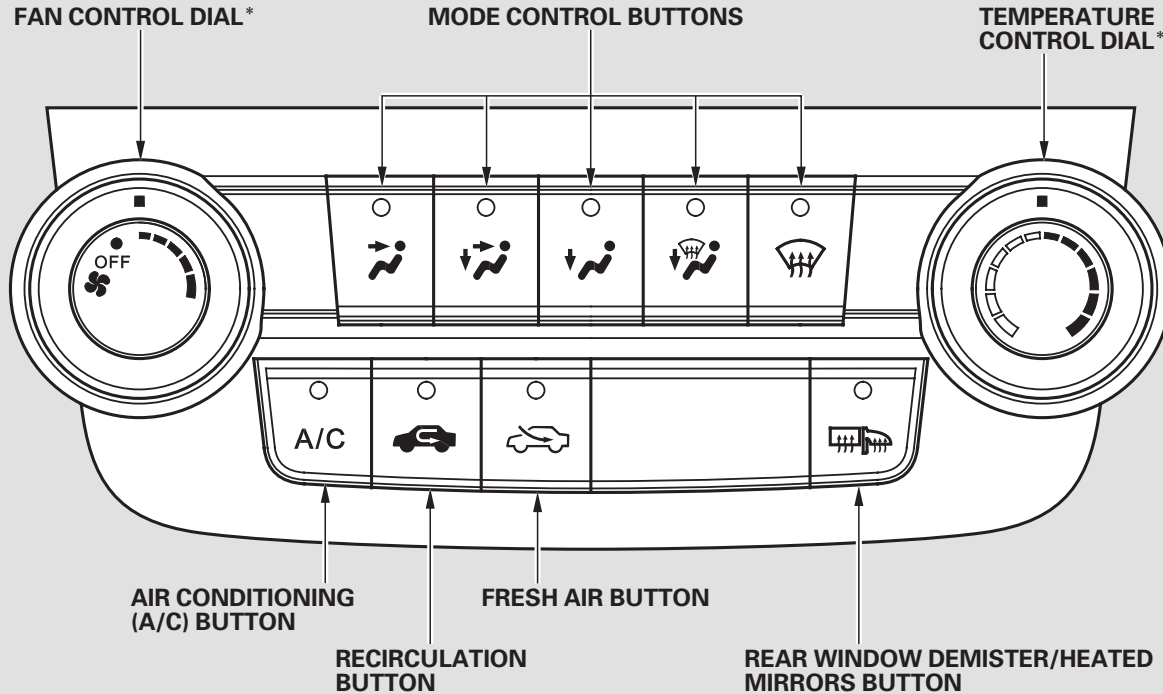
The vents in the corners of the dashboard can be opened and closed with the dials underneath them.

**PASSENGER'S SIDE VENT**



**REAR HEATER DUCTS**

# Vents, Heating, and A/C



\* : On the right-hand drive type, these controls are in opposite location.

## Fan Control Dial

Turn the dial clockwise to increase the fan speed and airflow. Turn the dial anticlockwise to decrease it.

## Temperature Control Dial

Turning this dial clockwise increases the temperature of the airflow.

## Air Conditioning (A/C) Button



This button turns the air conditioning on and off. The indicator in the button is on when the A/C is on.

## Rear Window Demister Button

This button turns the rear window demister off and on (see page 171).

This button also operates the heated outside mirrors (see page 213).

## Fresh Air and Recirculation Buttons

These two buttons control the source of air going into the system. In fresh air mode , air comes from outside the vehicle. In recirculation mode , the interior air recycles through the system.

The outside air intakes for the heating and cooling system are at the base of the windscreen. Keep this area clear of leaves and other debris.

The system should be left in fresh air mode under almost all conditions. Keeping the system in recirculation mode, particularly with the A/C off, can cause the windows to fog up.


Switch to recirculation mode when driving through dusty or smoky conditions, then return to fresh air mode.

# Vents, Heating, and A/C


## Mode Control


Use the mode control buttons to select the vents air flows from. Some air will flow from the dashboard corner vents in all modes.


 Air flows from the centre and corner vents in the dashboard.

 Airflow is divided between the vents in the dashboard and the floor vents.

 Air flows from the floor vents.

*On some types*  
When you select  , the system automatically switches to fresh air mode.


 Airflow is divided between the floor vents and demister vents at the base of the windscreen.

 Air flows from the defroster vents at the base of the windscreen.

*On some types*  
When you select  or  , the system automatically switches to fresh air mode and turns on the A/C.



## Ventilation

The flow-through ventilation system draws in outside air, circulates it through the interior, then discharges it through vents near the tailgate.

1. Set the temperature to the lower limit.
2. Make sure the A/C is off.
3. Select  and fresh air mode.
4. Set the fan to the desired speed.

## Using the Heater

The heater uses engine coolant to warm the air. If the engine is cold, it will be several minutes before you feel warm air coming from the system.


1. Select  and fresh air mode. On some types, when you select , the system automatically switches to fresh air mode.
2. Set the fan to the desired speed.
3. Adjust the warmth of the air with the temperature control dial.

### *On Diesel models only*

Your vehicle has the hot gas heater system. It assists the heater to warm the air (see page 244 ).

## Using the A/C

Air conditioning places an extra load on the engine. Watch the engine coolant temperature gauge (see page 99). If it moves near the red zone, turn off the A/C until the gauge reading returns to normal.

1. Turn on the A/C by pressing the button. The indicator in the button comes on when a fan speed is selected.
2. Make sure the temperature is set to maximum cool.
3. Select .
4. If the outside air is humid, select recirculation mode. If the outside air is dry, select fresh air mode.
5. Set the fan to the desired speed.

*If the interior is very warm, you can cool it down more rapidly by partially opening the windows, turning on the A/C, and setting the fan to maximum speed in fresh air mode.*

## Dehumidify the Interior




Air conditioning, as it cools, removes moisture from the air. When used in combination with the heater, it makes the interior warm and dry and can prevent the windows from fogging up.

1. Turn the fan on.
2. Turn on the air conditioning.
3. Select  and fresh air mode.
4. Adjust the temperature to your preference.

This setting is suitable for all driving conditions whenever the outside temperature is above 0°C.

## To Defog and Defrost



To remove fog from the inside of the windows:

1. Set the fan to the desired speed or high for faster defrosting.
2. Turn on the air conditioning.
3. Select  and fresh air mode. On some types, when you select , the system automatically switches to fresh air mode and turns on the A/C.
4. Adjust the temperature so the airflow feels warm.
5. Select  to help clear the rear window.
6. To increase airflow to the windscreen, close the side vents.

*On some types*

When you switch to another mode from , the A/C stays on. Press the A/C button to turn it off.

## To Remove Exterior Frost or Ice From the Windows

1. Select  and fresh air mode. On some types, the system automatically switches to fresh air mode and turns on the A/C.
2. Select .
3. Set the fan and temperature controls to maximum level.

To clear the windows faster, you can close the dashboard corner vents by rotating the wheel next to each vent. This sends more warm air to the windscreen defroster vents. Once the windscreen is clear, select the fresh air mode to avoid fogging the windows.

For your safety, make sure you have a clear view through all the windows before driving.

## To Turn Everything Off

Turning the fan speed control dial all the way to the left shuts the system off.

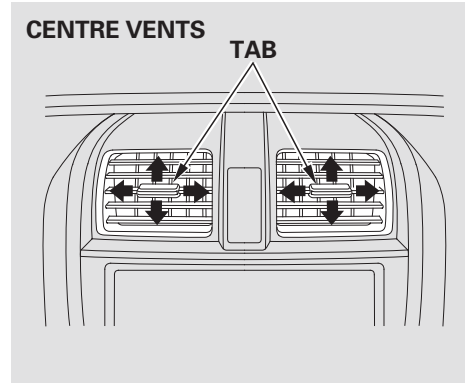
- Keep the system off for short periods only.
- To keep stale air and mustiness from collecting, you should have the fan running at all times.

## *On vehicles with air conditioning system*

The automatic climate control system in your vehicle picks the proper combination of air conditioning, heating, and ventilation to maintain the interior temperature you select. The system also adjusts the fan speed and airflow levels.

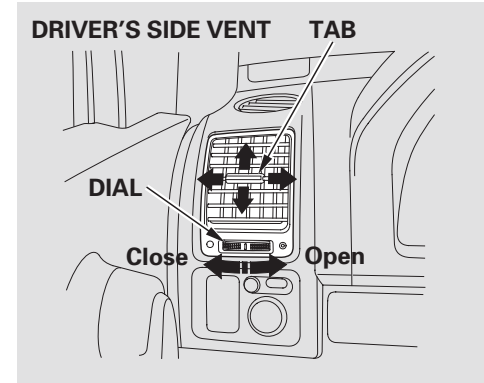
You can adjust the temperatures of the driver's side and the passenger's side independently (see page 242 ).

In the AUTO mode, the vehicle's interior temperature is independently regulated for the driver and passenger.



To activate the climate control system, the engine must be running.

The direction of airflow from the vents in the centre and each corner of the dashboard is adjustable.



To adjust the airflow from each vent, move the tab in the centre of each vent up-and-down and side-to-side.

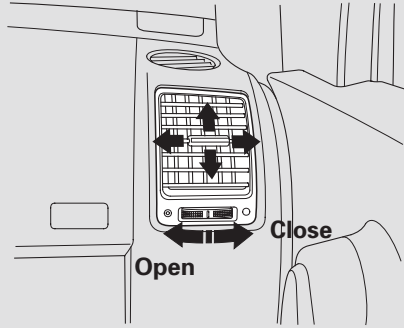
The vents in the corners of the dashboard can be opened and closed with the dials underneath them.

*CONTINUED*



# Climate Control System

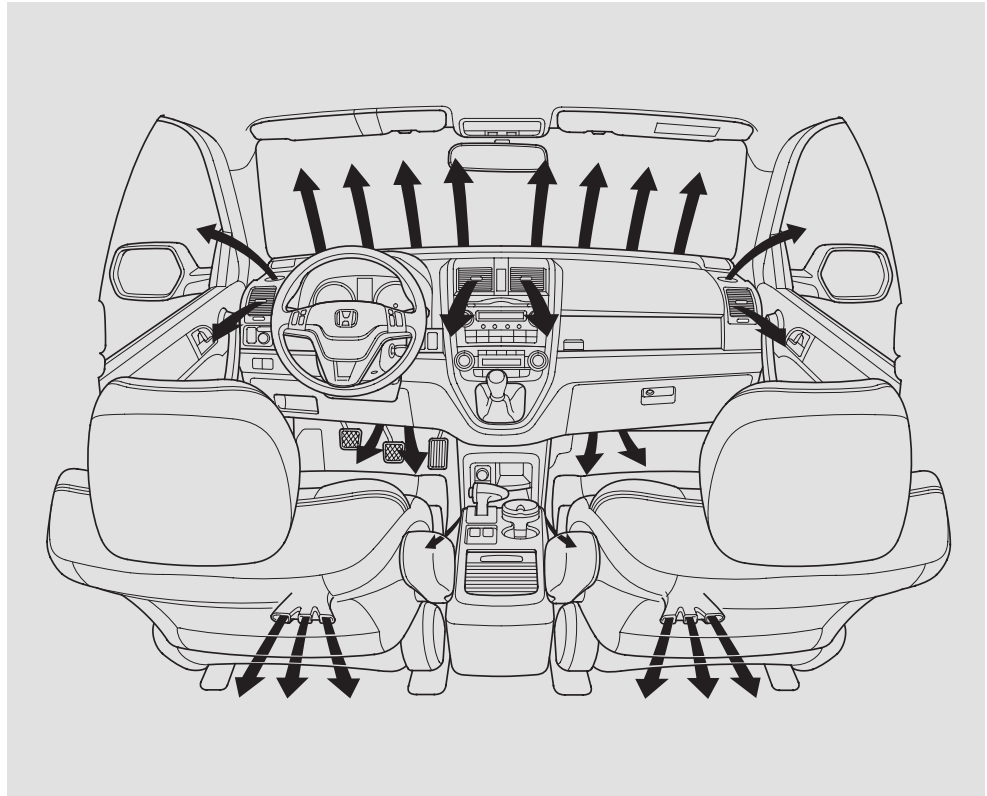
## PASSENGER'S SIDE VENT

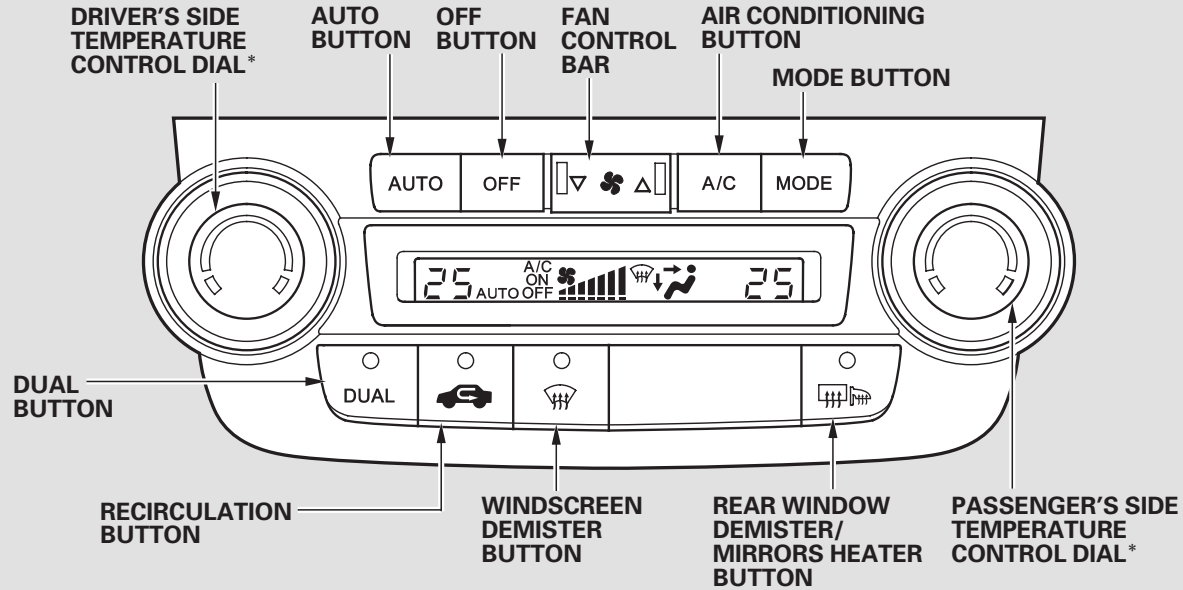


## Voice Control System

*On vehicles with navigation system*

In addition to the standard air conditioning controls, the climate control system in your vehicle can be operated using the voice control system. See the navigation system manual for complete details.





\* : On the right-hand drive type, these controls are in opposite location.

# Climate Control System

---

## Automatic Climate Control

To put the automatic climate control in fully-automatic mode:

1. Press the AUTO button.
2. Set the desired temperature by turning the driver's side temperature control dial. You will see AUTO and the selected temperature in the display. You can also set the passenger's side temperature by turning the passenger's side dial.

The system automatically selects the proper mix of conditioned and/or heated air that will, as quickly as possible, raise or lower the interior temperature to your preference.

When you set the temperature to its lower limit ( **L** ) or its upper limit ( **H** ), the system runs at full cooling or heating only. It does not regulate the interior temperature.

In cold weather, the fan will not come on automatically until the heater starts to develop warm air.

When the indicator in the dual button is on, the driver's side and passenger's side temperature can be controlled independently (see page 242 ).

### *On Diesel models only*

Your vehicle has the hot gas heater system. It assists the heater to warm the air (see page 244 ).

## *To Turn Everything Off*

If you press the OFF button, the climate control system shuts off completely.

- Keep the system completely off for short periods only.
- To keep stale air and mustiness from collecting, you should have the fan running at all times.

## **Semi-automatic Operation**

You can manually select various functions of the climate control system when it is in fully automatic mode. All other features remain automatically controlled. Making any manual selection causes the word AUTO in the display to go out.

## ***Air Conditioning (A/C) Button***

Press the A/C button to turn the air conditioning on and off. You will see A/C ON or A/C OFF in the display.

When you turn the A/C off, the system cannot regulate the inside temperature if you set the temperature control dial below the outside temperature.

## ***Temperature Control***

Turning the temperature control dial clockwise increases the temperature of the airflow.

The driver and passenger can select independent temperature settings. Press the DUAL button. When the indicator in the button is lit, turn the appropriate dial to adjust the temperature on the driver's or passenger's side. When the indicator is off, both sides adjust to the same temperature.

## ***Recirculation Button***

When the recirculation indicator is on, air from the vehicle's interior is sent throughout the system again. When the indicator is off, air is brought in from the outside of the vehicle (fresh air mode).

The outside air intakes for the climate control system are at the base of the windshield. Keep this area clear of leaves and other debris.

The system should be left in fresh air mode under almost all conditions. Keeping the system in recirculation mode, particularly with the A/C off, can cause the windows to fog up.

Switch to recirculation mode when driving through dusty or smoky conditions, then return to fresh air mode.

*CONTINUED*

# Climate Control System

---

## ***Fan Control***

Select the fan speed by pressing either side of the fan speed control bar (▲ or ▼). The fan speed is shown in vertical bars on the display.

## ***Dual Button***

Press the DUAL button to select dual temperature control mode (see page 242).

You can set the temperatures for the driver's side and the passenger's side separately when this button is pressed (indicator is on). When the indicator in the DUAL button is off, you can adjust both sides to the same temperature with the driver's side temperature control dial.

## ***Mode Button***

Use the MODE button to select the vents the air flows from. Some air will flow from the dashboard corner vents in all modes.

Each time you press the MODE button, the display shows the mode selected.



Airflow is divided between the floor and corner vents, and the demister vents at the base of the windscreen.



Air flows from the floor and corner vents.




Airflow is divided between the vents in the dashboard and the floor vents.




Air flows from the centre and corner vents in the dashboard.

## **Windscreen Demister Button**

This button directs the main airflow to the windscreen for faster defrosting. It also overrides any mode selection you may have made.

When you select , the system automatically switches to fresh air mode and turns on the A/C. For faster defrosting, manually set the fan speed to high. You can also increase airflow to the windscreen by closing the corner vents on the dashboard.

When you turn off  by pressing the button again, the system returns to its former settings.

For your safety, make sure you have a clear view through all the windows before driving.

## **Rear Window Demister Button**

This button turns the rear window demister off and on (see page 171).


When you turn on the rear window demister, the heated door mirror is also turned on automatically.

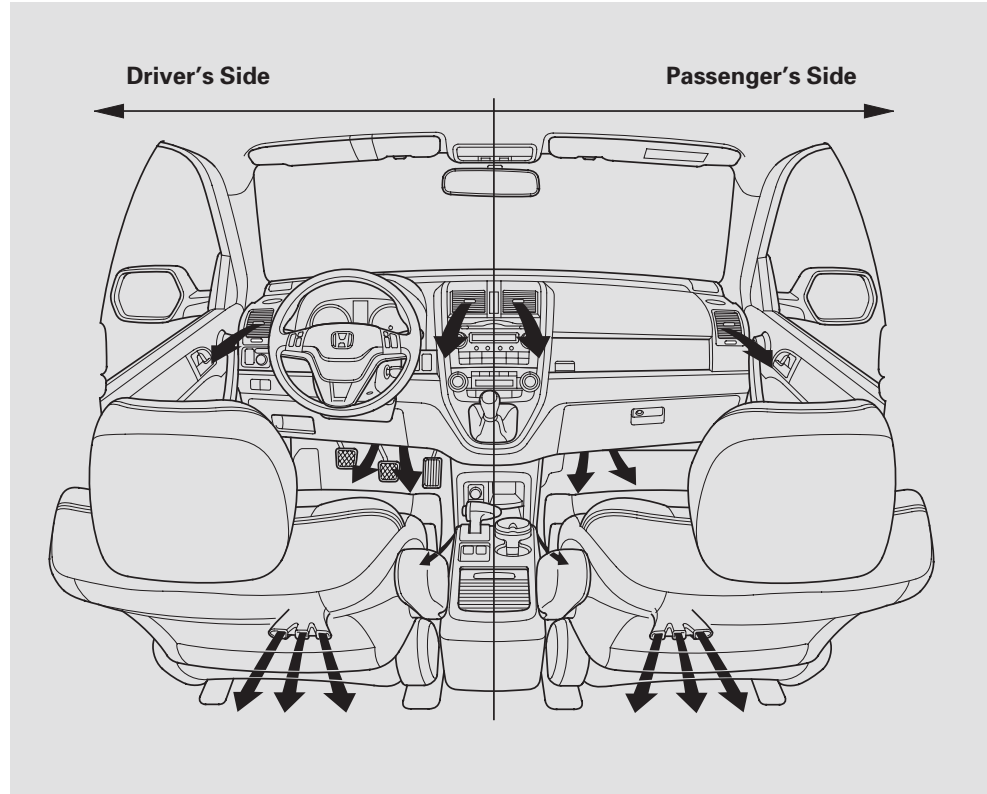
# Climate Control System

## Dual Temperature Control

The temperatures of the driver's side and the passenger's side can be controlled independently when the indicator in the DUAL button is on.

To adjust the driver's side, turn the driver's side temperature control dial on the climate control panel. To adjust the passenger's side, turn the passenger's side temperature control dial.

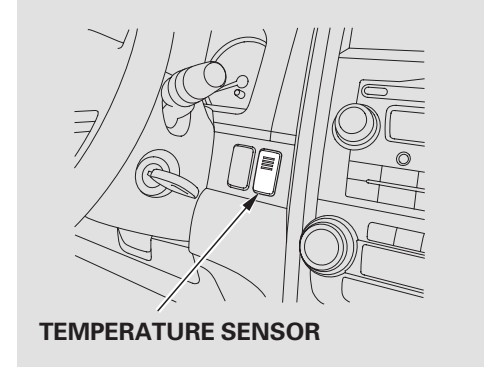
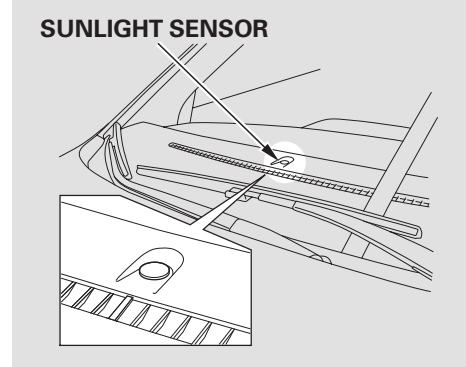
Push AUTO or . The selected temperatures appear in the display. When the indicator in the DUAL button is off, you can adjust both sides to the same temperature by adjusting the driver's temperature control dial.



To set the driver's side temperature to a different value than the passenger's side, press the DUAL button, then turn the temperature control dial on the control panel. To set the passenger's side to a different value than the driver's side, turn the passenger's side temperature control dial. You can adjust the passenger's side without pressing the DUAL button first.

When you set the temperature to its lower limit or its upper limit, it will be displayed as "Hi," or "Lo".

## Sunlight and Temperature Sensors



The climate control system has two sensors. A sunlight sensor is in the top of the dashboard, and a temperature sensor is next to the steering column. Do not cover the sensors or spill any liquid on them.



# Climate Control System

---

## Hot Gas Heater System

*On Diesel models only*

Your vehicle has the hot gas heater system. It assists the heater until the engine warms up after you start the engine. This system uses your vehicle's air conditioning system to warm the air. Under the following conditions, the hot gas heater system operates automatically.

- The engine coolant is cold (about under 75°C).
- The outside temperature is low (about under 5°C).
- The driver's side temperature control dial is set to any position except for the maximum cool.
- The fan is set to the desired speed.

After the engine warms up or the outside temperature is high, the hot gas heater system will stop automatically.

You may hear some noise from the engine compartment. This is normal; it is the hot gas heater activation.

The hot gas heater system will not activate if the outside temperature is too cold (under -30°C).

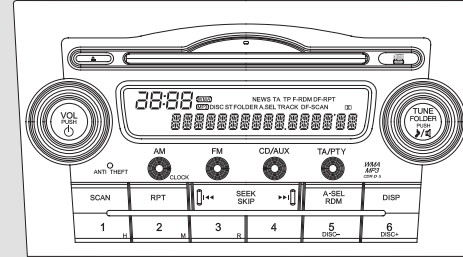
The audio system is standard equipment on some models. This section explains how to operate the standard audio system installed on the vehicle without navigation system. Refer to the navigation system owner's manual for information of how to operate the audio system on the vehicle with navigation system.

The anti-theft feature may disable the system if it is disconnected from the vehicle's battery. To get the system working again, you must enter a code number (see page 276).

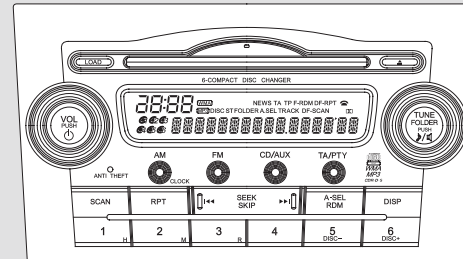
## Voice Control System

*On vehicles with navigation system*  
In addition to the standard audio controls, the audio system in your vehicle can be operated using the voice control system. See the navigation system manual for complete details.

### Audio System with In-dash Disc Player

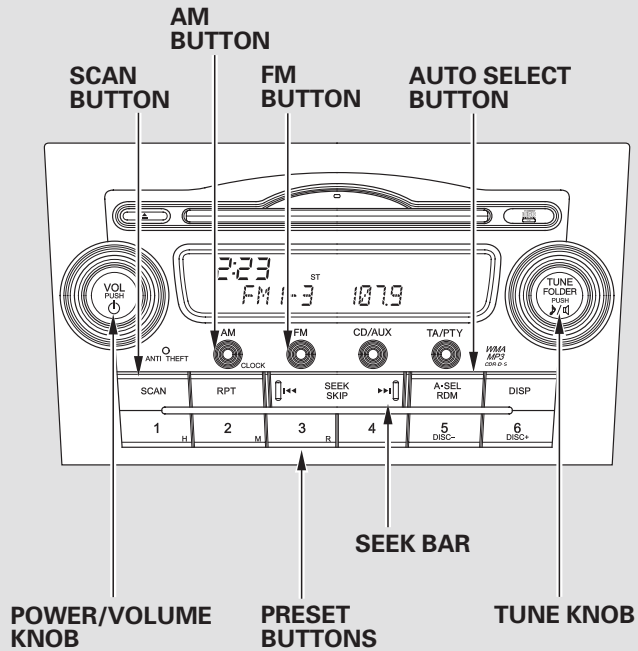


### Audio System with In-dash Disc Changer

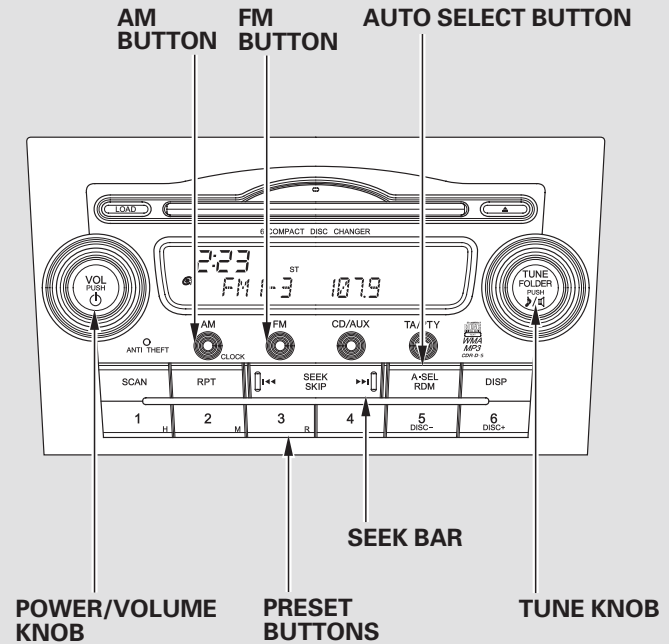


# Playing the Radio

## Audio System with In-dash Disc Player



## Audio System with In-dash Disc Changer



## To Play the Radio

The ignition switch must be in the ACCESSORY (I) or ON (II) position. Turn the system on by pushing the power/volume knob or the AM or FM button. Adjust the volume by turning the power/volume knob.

The band and frequency that the radio was last tuned to are displayed. To change bands, press the AM or FM button. On the FM band, ST will be displayed if the station is broadcasting in stereo. Stereo reproduction on AM is not available.

On the AM band, AM noise reduction turns on automatically.

## To Select a Station

You can use any of five methods to find radio stations on the selected band: tune, seek, scan, the preset buttons, and auto select.

**TUNE** — Use the TUNE knob to tune the radio to a desired frequency. Turn the knob right to tune to a higher frequency, or left to tune to a lower frequency.

**SEEK** — The seek function searches up and down from the current frequency to find a station with a strong signal. To activate it, press the ◀◀ or ▶▶ side of the SEEK bar, then release it.

**SCAN** — The scan function samples all stations with strong signals on the selected band. To activate it, press the SCAN button, then release it. You will see SCAN in the display. The system will scan for a station with a strong signal. When it finds one, it will stop and play that station for about 10 seconds.

If you do nothing, the system will then scan for the next strong station and play it for 10 seconds. When it plays a station you want to listen to, press the SCAN button again.

*CONTINUED*

# Playing the Radio

---

**Preset** — Each preset button can store one frequency on AM or LW, and two frequencies on FM.

1. Select the desired band, AM, LW or FM. FM1 and FM2 let you store two frequencies with each preset button.
2. Use the tune, seek, or scan function to tune the radio to a desired station.
3. Pick a preset button (1–6), and hold it until you hear a beep.
4. Repeat steps 1 through 3 to store a total of 6 stations on each AM and LW, and 12 stations on FM.

**AUTO SELECT** — If you are travelling far from home and can no longer receive your preset stations, you can use the auto select feature to find stations in the local area.

Press the A. SEL button. You will see A. SEL flashing in the display, and the system goes into scan mode for several seconds. The system stores the frequencies of 6 FM stations in the preset buttons.

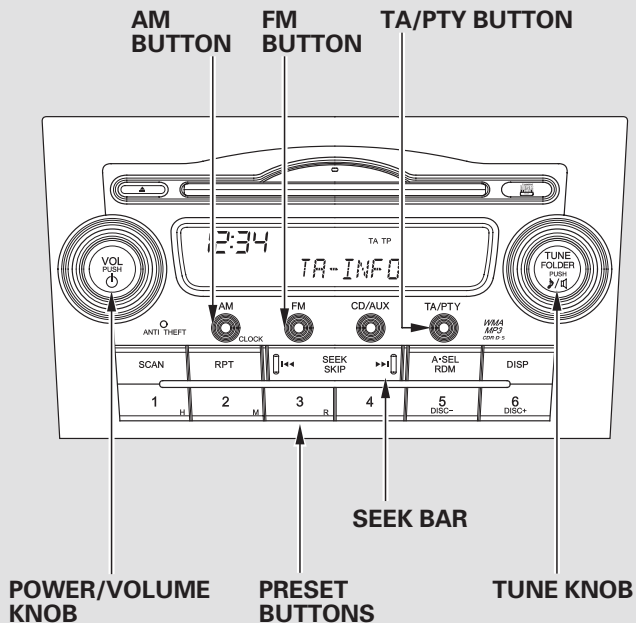
You will see a “0” displayed after pressing a preset button if auto select cannot find a strong station for that preset button.

If you do not like the stations auto select has stored, you can store other frequencies on the preset buttons as previously described.

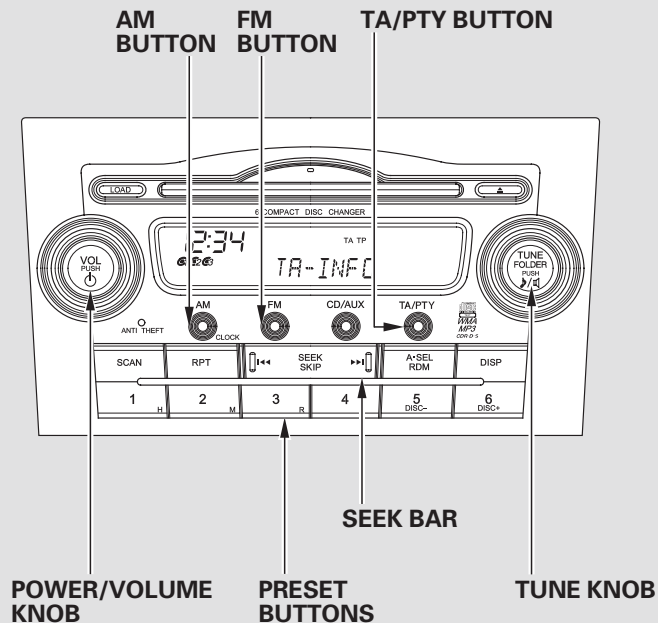
*To turn off auto select*, press the A. SEL (auto select) button. This restores the presets you originally set.

## With Radio Data System (RDS)

### Audio System with In-dash Disc Player



### Audio System with In-dash Disc Changer



# Playing the Radio

---

## Radio Data System (RDS)

With your audio system, you can utilize many convenient features provided by the radio data system (RDS).

With the FM band selected, you can keep listening to the same station even if its frequency changes as you enter different regions while you are travelling.

The RDS function turns on automatically when you turn the system on. If the station you are listening to is an RDS station, the frequency display will change to the station name. Then, the system will automatically keep selecting the frequency with the strongest signal from the frequencies that carry the same programs. This can save you the trouble of retuning to obtain the same station as long as you are in the same RDS network area.

You can turn on or off the RDS function and select the RDS programs. To switch the function and select the program, press the power/volume knob for more than 2 seconds with the audio system on. You will hear a beep. Press any of the preset buttons (1 through 6) to select the function. Each preset button has the following function. Pressing the preset button switches the function between on and off (24 H and 12H on the clock mode).

**Preset 1: AF ON/OFF** – Alternative frequency function on or off

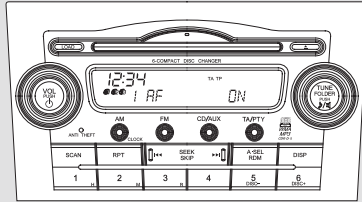
**Preset 2: REG ON/OFF** – Regional program on or off

**Preset 3: PS DISP ON/OFF** – Program service function on or off

**Preset 4: AUTO TP ON/OFF** – Automatic traffic program on or off

**Preset 5: NEWS ON/OFF** – News program on or off

**Preset 6: CLOCK 24H/12H**



To turn on the RDS, select 1 AF ON by pressing the preset 1. To turn off the RDS, select 1 AF OFF. Press the power/volume knob again to store the setting.

**AF (Alternative Frequency)** – This function automatically selects a frequency with the same program in the RDS network area.

**REG (Regional Program)** – This function keeps the regional program and does not change the frequency even if the signal becomes too weak.

**PS DISP (Program Service Display)** – This function shows the radio station name which you are listening to.

**AUTO TP (Automatic Traffic Information Program)** – This function automatically tunes to the radio station which is broadcasting the traffic information.

**NEWS (News Program)** – This function automatically tunes to the radio station which is broadcasting the newscast.

**CLOCK** – With this function, you can switch the clock display between 24-hours and 12-hours.

When the signals of the RDS station become so weak that the system can no longer follow the station, the system will hold the last tuned frequency and the display will change from the station name to the frequency.

In some countries, you cannot utilize features provided by RDS as the RDS function is not provided for all stations.

*CONTINUED*



# Playing the Radio

---

## *Program Service Name Display*

If the station you are listening to is an RDS station, the frequency display will disappear and the station name or PTY information will be displayed. Press the TA/PTY button for more than 2 seconds to switch the display between the name of network/station and the PTY information. For more information on the PTY, see page 253 .

## *TA (Traffic Announcement) Standby Function*

When you press and release the TA/PTY button, TA comes on in the display and the system stands by for traffic announcements.

When the automatic traffic information program (AUTO TP ON) is selected, TP will come on in the display. This indicates that the traffic reports can be received from the traffic information broadcasting station.

AUTO TP cross-references other program services that broadcast traffic information, and the traffic reports can be received through another program service in the RDS network area.

You can receive traffic information while you are listening to a disc or tape (if equipped). If the system is tuned to a TP station before playing a disc or tape, the system will stand by for traffic announcements with the TA/PTY button pressed (TA indicator is on) and the system will switch from disc or tape to the traffic announcement when it begins. You will see TA-INFO in the display. The system will return to the disc or tape mode when the traffic information is finished.

You can also switch to the normal audio mode while you are listening to the traffic information by pressing the TA/PTY button. It does not cancel the TA standby function.

To adjust the volume of the traffic announcement, turn the power/volume knob while the announcement is broadcasting. The adjusted volume level will be stored, then that level will be used on the next time traffic announcement. If you adjust the volume below the minimum level, the default level (level 9) will be used on the next time. The volume of the PTY NEWS or the PTY ALARM function can also be adjusted (see page 255).

If your vehicle's battery goes dead, or is disconnected, the traffic announcement volume level will be reset to the default setting (level 9).

To turn off the TA function, press the TA/PTY button again. TA will go out from the display.

Pressing the TA/PTY button will not turn off the TA function while you are listening to the traffic information. It will just switch to the selected audio playing mode.

If you use seek or auto select with the TA function on, the system searches only TP stations.

### ***PTY (Program Type) Display Function***

When the TA/PTY button is pressed for more than 2 seconds until you hear a beep, the PTY display function comes on. This function shows you the program type of the selected RDS station. For example, if the station is broadcasting drama, DRAMA is shown in the display. If it is a station of scientific programs, SCIENCE is shown. The principal PTYs are shown as follows.

NEWS: Short accounts of facts, events, publicly expressed views, reportage, etc.

CURRENT AFFAIRS: Topical programs expanding upon the news.

*CONTINUED*

# Playing the Radio

---

**INFORMATION:** General information and advice.

**SPORT:** Programs concerned with any aspect of sports.

**EDUCATION:** Educational programs.

**DRAMA:** All radio plays and serials.

**CULTURE:** Programs concerned with any aspect of national or regional culture.

**SCIENCE:** Programs about nature, science, and technology.

**VARIED SPEECH:** Light entertainment programs.

**POP MUSIC:** Commercial music of popular appeal.

**ROCK MUSIC:** Contemporary modern music.

**EASY LISTENING:** Light music.

**LIGHT CLASSICS M:** Light classics; classical music for non-specialist appreciation.

**SERIOUS CLASSICS:** Traditional classics.

**OTHER MUSIC:** Other types of music, such as R & B, Reggae.

**WEATHER/METR:** Weather information.

**FINANCE:** Programs concerned with economy.

**CHILDREN'S PROGS:** Programs for children.

**RELIGION:** Programs concerned with religion.

**SOCIAL AFFAIRS:** Social affairs programs.

**PHONE IN:** Programs consisting of listener's message

**TRAVEL/TOURING:** Programs concerned with travel.

**LEISURE/HOBBY:** Programs about hobbies and recreational activities.

**JAZZ MUSIC:** Jazz music.

**COUNTRY MUSIC:** Country music.

**NATION MUSIC:** National music.

**OLDIES M:** Oldies music, "Golden age" based programs.

**FOLK MUSIC:** Folk music.

**DOCUMENTARY:** Documentary programs.

When you turn the TUNE knob, the display will show different PTYs (see the PTYs list on the previous page).

After you select the desired program type, the system will search for a station with the same PTY code as the selected program type. When you use this function for the first time, NEWS will appear as it was preset at the factory.

After your desired PTY is displayed, press either side of the SEEK/SKIP bar within 5 seconds. The system will go into the PTY search mode and search for a station of the selected PTY. If there is no station available in the selected PTY, NO PTY is displayed for about 5 seconds and the PTY search mode is cancelled.

If the selected RDS station does not transmit PTY data, NO PTY is displayed. When the selected station is not an RDS station, NO RDS is displayed for about 5 seconds.

The PTY setting mode is cancelled if no further steps are taken within 5 seconds after selecting the desired PTY with the TUNE knob.

Some stations may broadcast the programs with different contents from their PTY code.

In the PTY search mode, the tuning step is set to 50 kHz while searching on the FM band. This step changes to 100 kHz when the AF or TA function is activated.

### ***PTY/News Interrupt Function***

To activate this function, press the TA/PTY button for more than 2 seconds and select NEWS. The system will hold the last tuned FM station/network PTY while you are listening to the disc. With this function on, playing disc is interrupted and the system switches from disc mode to the FM newscast when the newscast is broadcasting from the FM station.

You can change the volume level of the interrupted newscast. Refer to page 253 for how to adjust the volume level.

When the program is changed to another program or the frequency cannot be received for 10 seconds due to a weak signal, the system will return to the disc mode automatically.

*CONTINUED*

# Playing the Radio


---

Your audio system has another interrupt function (including TA function). The first activated interrupt function has priority over the others and the indication of the other interrupt function goes out. To activate the other interrupt function, turn off the current interrupt function.

## ***PTY Alarm***

PTY code “ALARM” is used for emergency announcements, such as natural disasters. When this code is received, “ALARM” comes on the display and the volume is changed. When the alarm is cancelled, the system will return to the normal operation mode.

## Adjusting the Sound

Press the TUNE (  ) knob repeatedly to display the BASS, TREBLE, FADER, BALANCE, SUBWOOFER (if equipped) and SVC (speed-sensitive volume compensation) settings.

**BASS** — Adjusts the bass.

**TREBLE** — Adjusts the treble.


**FADER** — Adjusts the front-to-back strength of the sound.

**BALANCE** — Adjusts the balance, or side-to-side strength of the sound.

*If equipped*

**SUBWOOFER** — Adjusts the strength of sound from the subwoofer speaker.


**SVC** — Adjusts the volume level according to the vehicle speed.

Each mode is shown in the display as it changes. Turn the TUNE (  ) knob to adjust the setting to your liking. When the level reaches centre, you will see a “C” in the display.

The system will return to the audio display about 5 seconds after you stop adjusting a mode.

### *Speed-sensitive Volume Compensation (SVC)*

The SVC mode controls the volume based on vehicle speed. The faster you go, the louder the audio volume becomes. As you slow down, the audio volume decreases.

The SVC has four modes; SVC OFF, SVC LOW, SVC MID, and SVC HIGH. Turn the TUNE (  ) knob to adjust the setting to your liking. If you feel the sound is too loud, choose low. If you feel the sound is too quiet, choose high.

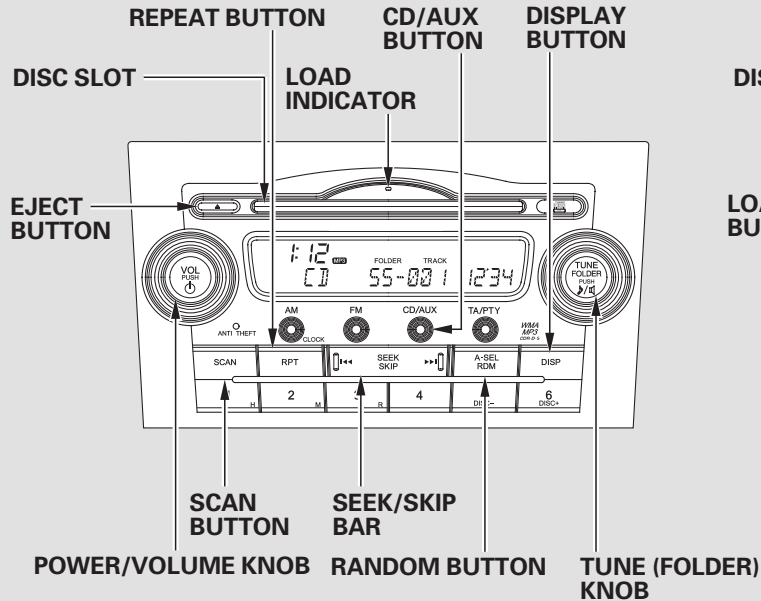
This function is set to MID as the default setting when the vehicle leaves the factory.

## Audio System Lighting

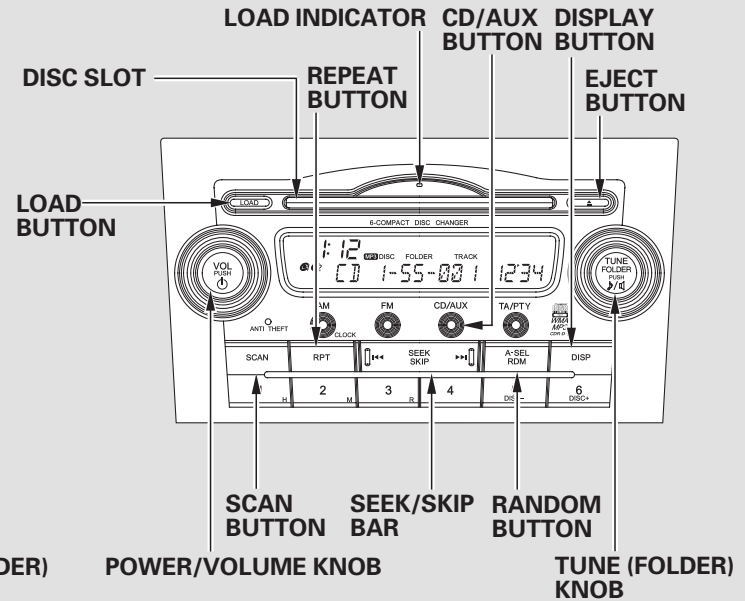
You can use the instrument panel brightness control knob to adjust the illumination of the audio system (see page 170 ). The audio system illuminates when the position lights are on, even if the radio is off.

# Playing a Disc

## Audio System with In-dash Disc Player



## Audio System with In-dash Disc Changer



## To Play a Disc

To load or play discs, the ignition switch must be in the ACCESSORY (I) or ON (II) position.

You operate the disc player/changer with the same controls used for the radio. To select the disc player/changer, press the CD/AUX button. You will see “CD” in the display. The number of the track playing and the elapsed time are shown in the display. On the in-dash disc changer, the disc number is also displayed. You can also select the displayed information with the DISP button (see page 261). The system will continuously play a disc until you change modes.

### NOTICE

Do not use discs with adhesive labels. The label can curl up and cause the disc to jam in the unit.

This audio system can also play CD-Rs and CD-RWs compressed in MP3 or WMA standard. When playing a disc in MP3, you will see “MP3” in the display. In WMA format, “WMA” will appear in the display. You can select up to 99 folders, or up to 255 tracks/files.

Video CDs and DVD discs do not work in this unit.

The specifications of the compatible MP3 file are:

- Sampling frequency:  
32/44.1/48 kHz (MPEG1)  
24/22.05/16 kHz (MPEG2)
- Bit rate:  
32/40/48/56/64/80/96/112/128/  
160/192/224/256/320 kbps  
(MPEG1)  
8/16/24/32/40/48/56/64/80/96/  
112/128/144/160 kbps (MPEG2)
- Compatible with variable bit rate  
and multi-session

- Maximum layers  
(including ROOT): 8 layers

The specifications of the compatible WMA file are:

- Sampling frequency:  
32/44.1/48 kHz
- Bit rate: 32/40/48/64/80/96/128/  
160/192 kbps
- Compatible with variable bit rate  
and multi-session
- Maximum layers  
(including ROOT): 8 layers

### NOTE:

If a file on an MP3 or WMA disc is protected by digital rights management (DRM), the audio unit displays FORMAT, and then skips to the next file.

*CONTINUED*



# Playing a Disc

---

## *To Load a Disc in the In-dash Disc Player*

Insert a disc about halfway into the disc slot. The drive will pull the disc in the rest of the way and begin to play it. The number of the track playing is shown in the display. The system will continuously play a disc until you change modes.

You cannot load and play 8-cm (3-inch) discs in this unit.

## *Loading Discs in the In-dash Disc Changer*

Your vehicle's in-dash disc changer holds up to six discs.

1. Press the LOAD button until you hear a beep and see "LOAD" in the display. To load only one disc, press and release the LOAD button.
2. The disc number for an empty position is highlighted and the red disc load indicator starts blinking.
3. Insert the disc into the disc slot when the green disc load indicator comes on. Insert it only about halfway; the drive will pull it in the rest of the way. You will see "BUSY" in the display while the disc load indicator turns red and blinks as the disc is loaded.

You cannot load and play 8-cm (3-inch) discs in this unit.

4. When the disc load indicator turns green and "LOAD" appears in the display again, insert the next disc in the slot. Do not try to insert a disc until "LOAD" appears. You could damage the audio unit.
5. Repeat this until all six positions are loaded. If you are not loading all six positions, the system begins playing the last disc loaded.

You can also load a disc into an empty position while a disc is playing by pressing the appropriate preset button. The system stops playing the current disc and starts the loading sequence. It then plays the disc just loaded.

## ***Text Data Display Function***

Each time you press the DISP button, the display shows you the text data on a disc, if the disc was recorded with text data.

You can see the album, artist, and track name in the display. If a disc is recorded in MP3 or WMA, you can see the folder and file name, and the artist, album, and track tag.

With the folder name, you will see the FOLDER indicator in the display. The TRACK indicator is shown with the file or track name.

The display shows up to about 16 characters of selected text data (the folder name, file name, etc.). If the text data has more than 16 characters, you will see the first 15 characters and the > indicator in the display. Press and hold the DISP button until the next 16 characters are shown.

You will also see some text data under these conditions:

- When a new folder, file, or track is selected.
- When you change the audio mode to play a disc with text data or in MP3 or WMA.
- When you insert a disc, and the system begins to play.

When playing a CD-DA with text data, the album and track name are shown in the display. With a disc in MP3 or WMA, the display shows the folder and file name.

*CONTINUED*

# Playing a Disc

---

## *To Change or Select Tracks/Files*

You can use the SEEK/SKIP bar while a disc is playing to select passages and change tracks (files in MP3/WMA mode).

In MP3 or WMA mode, use the TUNE knob to select folders in the disc and use the SEEK/SKIP bar to change files.

## *In-dash Disc Changer*

To select a different disc, use the appropriate preset buttons (1 through 6). If you select an empty position, the system will go into the loading sequence (see page 260).

**SEEK/SKIP** — Each time you press and release the ►►| side of the SEEK/SKIP bar, the player skips forward to the beginning of the next track (file in MP3 or WMA mode). Press and release the |◄◄ side to skip backward to the beginning of the current track. Press it again to skip to the beginning of the previous track.

To move rapidly within a track or file, press and hold the ►►| or |◄◄ side of the SEEK/SKIP bar.

## *In MP3 or WMA mode*

**FOLDER SELECTION** — To select a different folder, turn the TUNE knob to move to the beginning of the next folder. Turn the knob to the right until it clicks once to skip to the next folder, and to the left to move to the beginning of the previous folder. Turning the TUNE knob more than two clicks skips several folders.

## **REPEAT (TRACK/FILE**

**REPEAT)** — To continuously replay a track (files in MP3 or WMA mode), press and release the RPT button. You will see RPT in the display. Press and hold the RPT button for 2 seconds to turn it off.

*In MP3 or WMA mode*

**FOLDER-REPEAT** — This feature, when activated, replays all files on the selected folder in the order they are compressed. To activate folder repeat, press and release the RPT button repeatedly until you see F-RPT in the display. The system continuously replays the current folder. Press and hold the RPT button for 2 seconds to turn it off. Selecting a different folder with the TUNE knob also turns off the repeat feature.

## *In-dash Disc Player*

Each time you press and release the RPT button, the mode changes from file repeat to folder repeat, then to normal playing.

## *In-dash Disc Changer*

**DISC-REPEAT** — To continuously replay the current disc, press and release the RPT button repeatedly until you see D-RPT in the display. Press and hold the RPT button for 2 seconds again to turn it off.

Each time you press and release the RPT button, the mode changes from file repeat to folder repeat, to disc repeat then to normal playing.

## **RANDOM (Random within a disc)**

— This feature plays the tracks within a disc (the files within a disc in MP3 or WMA mode) in random order. To activate random play, press and release the RDM button. In MP3 or WMA mode, press the RDM button repeatedly to select RDM (within a disc random play). You will see RDM in the display. Press the RDM button for 2 seconds to return to normal play.

*CONTINUED*

# Playing a Disc

---

*In MP3 or WMA mode*

**FOLDER-RANDOM** — This feature, when activated, plays all files on the selected folder in random order. To activate folder random, press and release the RDM button. You will see F-RDM in the display. The system will then select and play files randomly. This continues until you deactivate folder random by pressing and holding the RDM button for 2 seconds, or by selecting a different folder with the TUNE knob.

Each time you press and release the RDM button, the mode changes from folder random play to random play (within a disc random play), then to normal playing.

**SCAN (TRACK/FILE SCAN)** —

The scan function samples all tracks (files in MP3 or WMA) on the disc in the order they are recorded on the disc. To activate scan, press the SCAN button. In MP3 or WMA mode, press the SCAN button repeatedly to select SCAN. You will see SCAN in the display. You will get a 10 second sampling of each track/file on the disc. Press and hold the SCAN button for about 2 seconds to get out of scan mode and play the last track/file sampled.

Pressing either side of the SEEK/SKIP bar also turns off the scan feature.

*In MP3 or WMA mode*

**F-SCAN (FOLDER SCAN)** — This feature, when activated, samples the first file of each folder on the disc. To activate folder scan, press the SCAN button twice. You will see F-SCAN in the display.

The system plays the first file in the first folder for about 10 seconds. If you do nothing, the system will then play the first files in the remaining folders for 10 seconds each. After playing the first file of the last folder, the system plays normally.

Pressing either side of the SEEK/SKIP bar, or selecting a different folder with the TUNE knob also turns off the scan feature.

*In-dash Disc Player*

Each time you press and release the SCAN button, the mode changes from file scan to folder scan, then to normal playing.

## *In-dash Disc Changer*

**DISC-SCAN** — This function samples each first track of all the discs in the in-dash disc changer in the order they are stored. To activate disc scan, press the SCAN button repeatedly until you will see D-SCAN in the display. The system will then play the first track/file of the first disc for approximately 10 seconds. After playing the first track/file of the last disc, the system plays normally.

Each time you press and release the SCAN button, the mode changes from scan to folder scan, disc scan then to normal playing.

## **To Stop Playing a Disc**

Press the eject button ( ▲ ) to remove the disc. If you eject the disc, but do not remove it from the slot, the system will automatically reload the disc after 10 seconds and put it in pause mode. To begin playing, press the CD/AUX button.

You can also eject the disc when the ignition switch is off.

To play the radio when a disc is playing, press the AM or FM button. Press the CD/AUX button again to switch back to the disc player or disc changer.

To play the tape when a disc is playing, insert a tape in the player (optional). If a tape is in the player, press the CD/AUX button. Press the CD/AUX button again to switch back to the disc player.

If you turn the system off while a disc is playing, either with the power/volume knob or by turning off the ignition switch, the disc will stay in the drive. When you turn the system back on, the disc will begin playing where it left off.

# Playing a Disc

---

## Removing Discs from the In-dash Disc Changer

To remove the disc currently in play, press the eject ( ▲ ) button. When a disc is removed from a slot, the system automatically begins the load sequence so you can load another disc in that position. If you do not remove the disc from the changer within 10 seconds, the system returns to the previous mode (AM or FM). The disc will reload into the system and will remain there in a pause mode.

To remove a different disc from the changer, first select it with the appropriate preset button. When that disc begins playing, press the eject button. Continue pressing the eject button to remove all the discs from the changer.

You can also eject discs when the ignition switch is off. The disc that was last selected is ejected first.

## Operating the Optional Disc Changer

An optional six disc changer is available for your vehicle. This disc changer uses the same controls used for the in-dash disc player/changer or the radio.

Load the desired discs in the magazine, and load the magazine in the changer according to the instructions that came with the unit.

To select the disc changer, press the CD/AUX button. The disc and track numbers will be displayed. To select a different disc, use the preset 5 (DISC -) button or the preset 6 (DISC +) button. To select the previous disc, press the preset 5 (DISC -), or the preset 6 (DISC +) to select the next disc in sequence.

If you select an empty slot in the magazine, the changer will search for the next available disc to load and play.

## **Operating the Optional MD Player/Changer (For some types)**

An MD player or changer is available for your vehicle as optional equipment. This MD player/changer uses the same controls used for the in-dash disc player/changer or the radio. Follow the instructions that came with the unit.



# Protecting Your Discs

---

## General Information

- When using CD-R or CD-RW discs, use only high quality discs labelled for audio use.
- When recording a CD-R or CD-RW, the recording must be closed for it to be used by the system.
- Play only standard round discs. Odd-shaped discs may jam in the drive or cause other problems.
- Handle your discs properly to prevent damage and skipping.

### NOTICE

Do not use discs with adhesive labels. The label can curl up and cause the disc to jam in the unit.

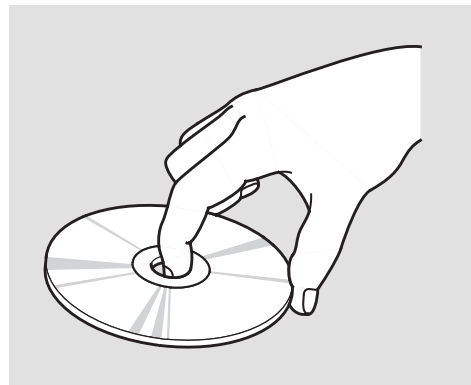
## Protecting Discs

When a disc is not being played, store it in its case to protect it from dust and other contamination. To prevent warpage, keep discs out of direct sunlight and extreme heat.

To clean a disc, use a clean soft cloth. Wipe across the disc from the centre to the outside edge.

A new disc may be rough on the inner and outer edges. The small plastic pieces causing this roughness can flake off and fall on the recording surface of the disc, causing skipping or other problems. Remove these pieces by rubbing the inner and outer edges with the side of a pencil or pen.

Never try to insert foreign objects in the disc player.



Handle a disc by its edges; never touch either surface. Do not place stabilizer rings or labels on the disc. These, along with contamination from fingerprints, liquids, and felt-tip pens, can cause the disc to not play properly, or possibly jam in the drive.

If you see an error message in the display while playing a disc, find the cause in the chart to the right. If you cannot clear the error message, take your vehicle to your dealer.

The chart on the right explains the error messages you may see in the display while playing a disc.

If you see an error message in the display while playing a disc, press the eject button. After ejecting the disc, check it for damage or deformation. If there is no damage, insert the disc again.

The audio system will try to play the disc. If there is still a problem, the error message will reappear. Press the eject button, and pull out the disc. Insert a different disc. If the new disc plays, there is a problem with the first disc. If the error message cycle repeats and you cannot clear it, take your vehicle to a dealer.

Error Message	Cause	Solution
UNSUPPORTED FORMAT	Track/File format not supported	Current track will be skipped. The next supported track or file plays automatically.
BAD DISC – PLEASE CHECK OWNERS MANUAL PUSH EJECT	Mechanical Error	Press the eject button and pull out the disc(s). Check the disc for serious damage, signs of deformation, excessive scratches, and/or dirt. Insert the disc again. If the code does not disappear, or the disc(s) cannot be removed, consult your dealer. Do not try to force the disc out of the player.
BAD DISC – PLEASE CHECK OWNERS MANUAL	Servo Error	

The ejected disc will not be reloaded automatically.

## Optional Disc Changer Error Messages

---

The chart on the right explains the error messages you may see in the display while playing a disc.

If you see an error message in the display while playing a disc, press the eject button. After ejecting the disc, check it for damage or deformation. If there is no damage, insert the disc again.

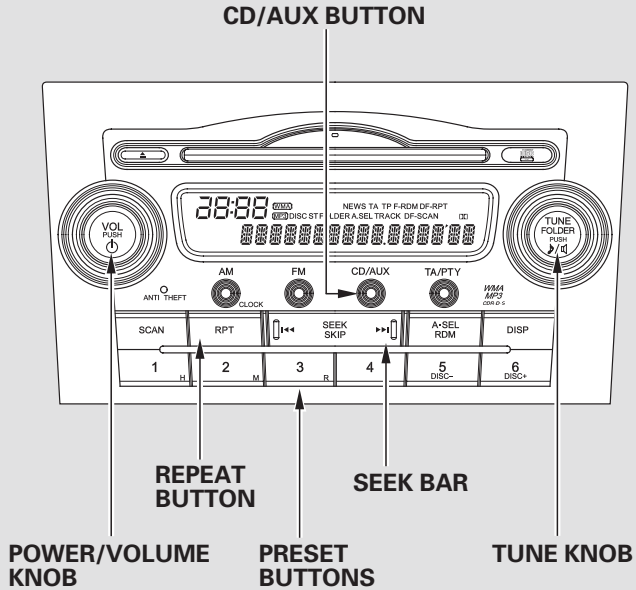
If there is still a problem, the error message will appear again. Press the eject button, and pull out the disc.

Insert a different disc. If the new disc plays, there is a problem with the first disc. If the error message cycle repeats and you cannot clear it, take your vehicle to a dealer.

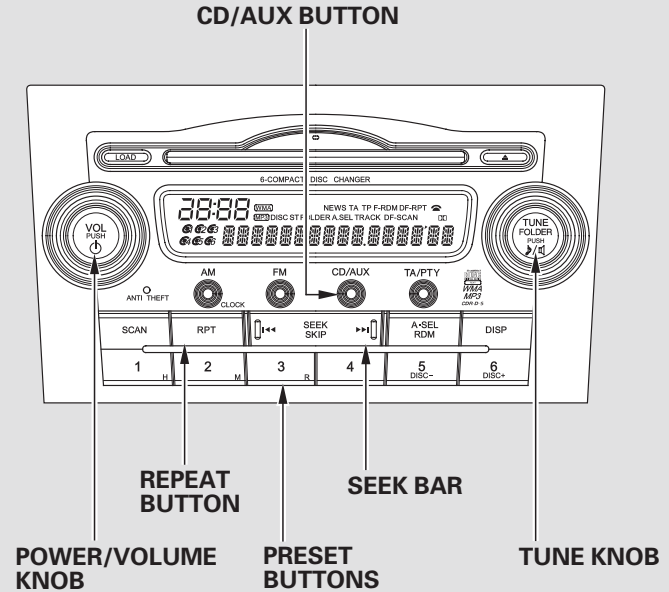
Error Message	Cause	Solution
DISC ERROR	FOCUS error	Press the magazine eject button and pull it out. If the message does not disappear or the magazine cannot be pulled out, see your dealer.
MECH ERROR	Mechanical error	Press the magazine eject button and pull it out. Check for an error message, and insert the magazine again. If the message does not disappear or the magazine cannot be pulled out, see your dealer.

# Playing a Tape (Optional for some types)

## Audio System with In-dash Disc Player



## Audio System with In-dash Disc Changer



# Playing a Tape (Optional for some types)

---

## To Play a Tape (Optional for some types)

The ignition switch must be in the ACCESSORY (I) or ON (II) position. Make sure the open side of the tape is facing right, then insert the tape most of the way into the slot. The system will pull the tape in the rest of the way, and begin to play it.

The tape direction indicator comes on to show you which side of the tape is playing. The  $\triangle$  indicates the side you inserted upward is now playing. If you want to play the other side, press the preset 2 button. When the player reaches the end of the tape, it will automatically reverse direction and play the other side.

Dolby\* noise reduction turns on when you insert a tape. The  $\square\square$  indicator will come on in the display. If the tape was not recorded in Dolby, turn it off by pressing the preset 4 button. Dolby remains off until you press the preset 4 button again.

\* Dolby noise reduction is manufactured under license from Dolby Laboratories Licensing Corporation. "DOLBY" and the double-D symbol  $\square\square$  are trademarks of Dolby Laboratories Licensing Corporation.

## To Stop Playing a Tape

To remove the tape, press the eject button on the tape player. If you want to turn the player off, press the power/volume knob or turn off the ignition switch. The tape will remain in the drive. When you turn the system back on, the tape player will be in pause mode. Press the preset 2 button to resume play.

To switch to the radio or disc player while a tape is playing, press the AM, FM or CD/AUX button. To change back to the tape player, press the CD/AUX button.

You can remove the tape with the ignition switch in any position, even if the audio system is off.

## Tape Search Functions

**FF/REW** — To rewind the tape, push the preset 1 button. You will see REW in the display. To fast forward the tape, push the preset 3 button. You will see FF displayed. Press the preset 1, 2, or 3 button to take the system out of rewind or fast forward.

**SKIP** — Press the ◀◀ side of the SEEK/SKIP bar to find the beginning of the current song or passage. Press the ▶▶ side to find the beginning of the next song or passage. When the system reaches the beginning of a song or passage, it begins to play it.

**REPEAT** — Press the RPT button to continuously play a song or passage. You will see RPT displayed. The track will repeat until you press the RPT button again.

**NOTE:** The skip and repeat functions use silent periods on the tape to find the end of a song or passage. These features may not work if there is almost no gap between selections, a high noise level, or a silent period in the middle of a selection.

### Caring for the Tape Player

The tape player picks up dirt and oxides from the tape. This contamination builds up over time and causes the sound quality to degrade. To prevent this, you should clean the player after every 30 hours of use.

If you do not clean the tape player regularly, it may eventually become impossible to remove the contamination with a normal cleaning kit.

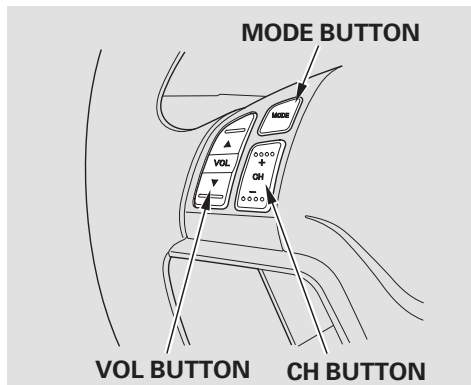
Use 100-minute or shorter tapes. Tapes longer than that may break or jam in the drive.

If the tape is loose, tighten it by turning the hub with a pencil or your finger. If the label is peeling off, remove it or it could cause the tape to jam in the player. Never try to insert a warped or damaged tape in the player.

Store tapes in their cases to protect them from dust and moisture. Never place tapes where they will be exposed to direct sunlight, high heat, or high humidity. If a tape is exposed to extreme heat or cold, let it reach a moderate temperature before inserting it into the player.

Never try to insert a foreign object into the tape player.

## Remote Audio Controls (For some types)



Three controls for the audio system are mounted in the steering wheel hub. These let you control basic functions without removing your hand from the wheel.

The VOL button adjusts the volume up (▲) or down (▼). Press the top or bottom of the button, hold it until the desired volume is reached, then release it.

The MODE button changes the mode. Pressing the button repeatedly selects FM, AM (MW), LW, disc (if a disc is loaded), or a tape (if equipped). You can select FM1 and FM2 when the auto select feature is not used.

If you are listening to the radio, use the CH button to change stations. Each time you press and release the top (+) of the button, the system goes to the next preset station on the band you are listening to. Press and release the bottom (–) to go back to the previous station.

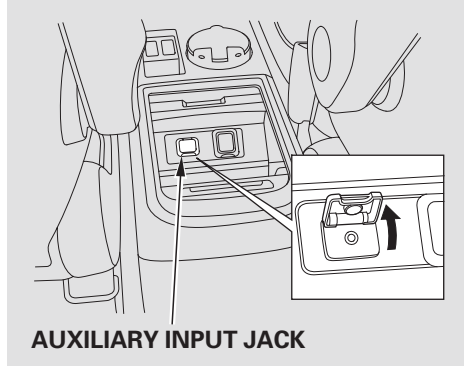
To activate the seek function, press and hold the top (+) or bottom (–) of the CH button until you hear a beep. The system searches up or down from the current frequency to find a station with a strong signal.

If you are playing a disc, the system skips to the beginning of the next track (file in MP3 or WMA format) each time you press the top (+) of the CH button. Press the bottom (–) to return to the beginning of the current track or file. Press it twice to return to the previous track or file. You will see the track/file number and the elapsed time. If the disc has text data or is compressed in MP3 or WMA, you can also see any other information (track title, file name, folder name, etc.).

In MP3 or WMA mode, you can use the seek function to select folders. Press and hold the top (+) of the CH button until you hear a beep, to skip forward to the first file of the next folder. Press the bottom (–) to skip backward to the previous folder.

If you are playing a tape in the optional tape player, press the top (+) of the CH button to advance to the next selection. Press the bottom (-) to go back to the previous selection. The system senses a silent period, then resumes playing.

### Auxiliary Input Jack (For some types)



The auxiliary input jack is in the console compartment. The system will accept auxiliary input from standard audio accessories.

When a compatible audio unit is connected to the jack, press the CD/AUX button to select it.



# Radio Theft Protection

---

## *On vehicles with standard audio system*

Your vehicle's audio system will disable itself if it is disconnected from electrical power for any reason. To make it work again, you must enter a specific digit code using the preset buttons (icon on vehicle with navigation system). Because there are hundreds of number combinations possible from specific digits, making the system work without knowing the exact code is nearly impossible.

You should have received a card that lists your audio system's code and serial numbers. It is best to store this card in a safe place at home. In addition, you should write the audio system's serial number in this owner's manual.

If you lose the card, you must obtain the code number from a dealer. To do this, you will need the system's serial number.

If your vehicle's battery is disconnected or goes dead, or the radio fuse is removed, the audio system will disable itself. If this happens, you will see "ENTER CODE" in the frequency display the next time you turn on the system. Use the preset buttons to enter the code. On vehicles with navigation system, touch the icon to enter the code number, then touch the Done icon to set the code. The code is on the radio code card included in your owner's manual kit. When it is entered correctly, the radio will start playing.

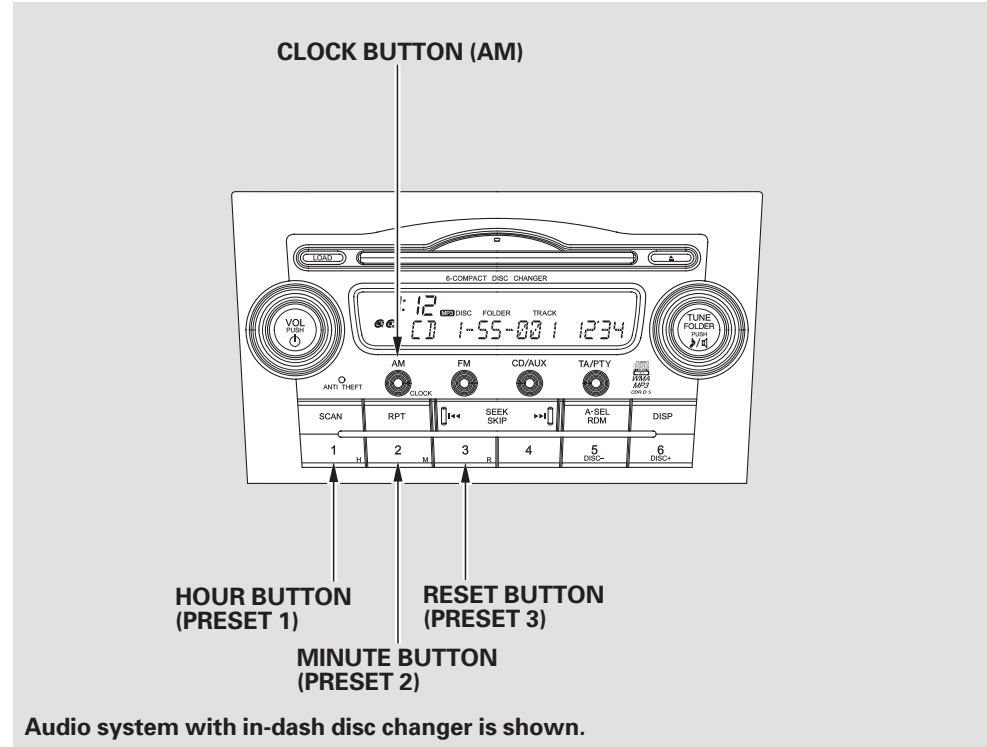
If you make a mistake entering the code, do not start over; complete the sequence, then enter the correct code. You have ten tries to enter the correct code. If you are unsuccessful in ten attempts, you must then leave the system on for 1 hour before trying again.

*On vehicles with audio system  
(without navigation system)*

To set the time, press the **CLOCK (AM)** button until you hear a beep. The displayed time begins to blink.

Change the hour by pressing the **H** (preset 1) button until the numbers advance to the desired time. Change the minute by pressing the **M** (preset 2) button until the numbers advance to the desired time.

Press the **CLOCK** button again to enter the set time.



*CONTINUED*

# Setting the Clock

---

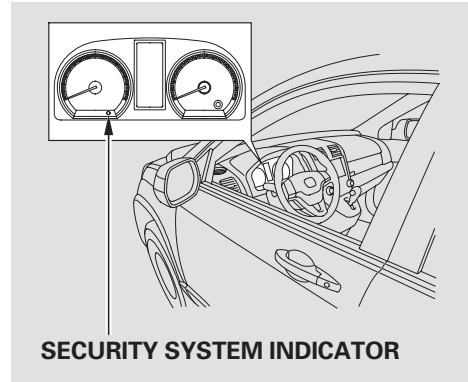
You can quickly set the time to the nearest hour. If the displayed time is before the half hour, pressing the CLOCK button until you hear a beep, then pressing the R (preset 3) button sets the clock back to the previous hour. If the displayed time is after the half hour, the clock sets forward to the beginning of the next hour.

For example: 1:06 will reset to 1:00  
1:53 will reset to 2:00

*On vehicles with navigation system*  
The navigation system receives signals from the global positioning system (GPS), and the displayed time is updated automatically by the GPS. Refer to the navigation system manual for how to adjust the time.

The security system helps to protect your vehicle and valuables from theft. The horn sounds (the beeping alarm on vehicles with ultrasonic sensor) and the turn signal lights flash if someone attempts to break into your vehicle or remove the audio unit. This alarm continues for 30 seconds, then the system resets.

To turn off an alarming system before 30 seconds have elapsed, unlock the driver's door with the ignition key or the remote transmitter.



On vehicles with the ultrasonic sensor, only the remote transmitter can turn off the security system. Unlocking the driver's door with the key cannot turn off the security system and activates the alarm.

The security system sets automatically 15 seconds (25 seconds on vehicles equipped with the ultrasonic sensor activated) after you lock the doors, bonnet, and tailgate. For the system to activate, you must lock the doors and the tailgate from the outside with the key or remote transmitter. The security system indicator on the instrument panel starts blinking immediately to show you the system is setting itself.

To set the ultrasonic sensor along with the security system, you should lock the doors and the tailgate with the key or the remote transmitter.

*CONTINUED*

## Security System (For some types)

---

When you lock the doors and the tailgate with the key or the remote transmitter, all outside turn signals and both indicators in the instrument panel flash three times to verify the doors and the tailgate are locked and the security system has set. When you unlock them, these lights flash once.

The security system also sets after you lock the doors and the tailgate with the lock tab or master door lock switch on the driver's door while pulling the outside door handle.

Once the security system is set, opening any door or tailgate (without using the key or the remote transmitter), or the bonnet, will cause it to alarm. It also alarms if the audio unit is removed from the dashboard or the wiring is cut.

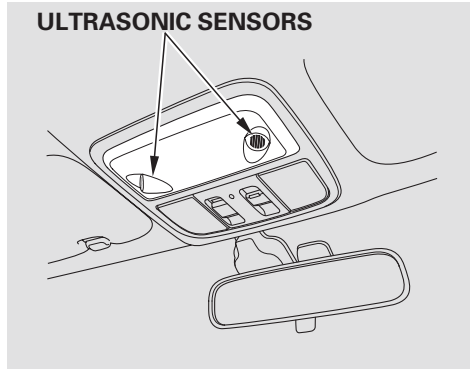
The alarm will also be activated if the passenger inside the locked vehicle turns the ignition switch on.

*On vehicles with super locking system*  
When you set the super locking along with the security system, the alarm is not activated if someone tries to open a door with the lock tabs or the master door lock switch.

The security system will not set if the bonnet, tailgate, or any door is not fully closed. If the system will not set, check the door and tailgate open monitor on the multi-information display (see page 116 ), to see if the doors and tailgate are fully closed. On vehicles with information display, the door and tailgate open monitor is in the information display (see page 95 ). Since it is not part of the monitor display, manually check the bonnet.

Do not attempt to alter this system or add other devices to it.

### Ultrasonic Sensor (For some types)



The ultrasonic sensor is only activated when the security system is set by the key or the remote transmitter. It monitors the interior of the vehicle and activates the alarm if someone intrudes into the passenger compartment through a window, or moves in the compartment. With the security system set, only the ultrasonic sensor may activate.

### NOTICE

If you set the security system with the windows open, the ultrasonic sensor may activate the alarm unexpectedly when the system senses strong vibrations on the vehicle or loud sound.

You can set the security system without activating the ultrasonic sensor. Pull the driver's outside door handle and pull the lock tab rearward. Release the handle, then close the door. The security system indicator on the instrument panel comes on for 3 seconds, then starts blinking.

Whether the ultrasonic sensor is activated or not, the security system can only be turned off by the remote transmitter, not the key.

## Cruise Control (For some types)

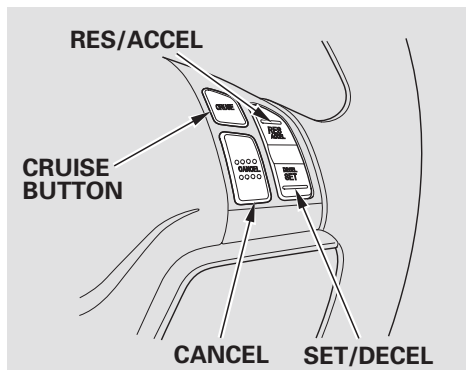
Cruise control allows you to maintain a set speed above 40 km/h (25 mph) without keeping your foot on the accelerator pedal. It should be used for cruising on straight, open motorways. It is not recommended for city driving, winding roads, slippery roads, heavy rain, or bad weather.

### **⚠ WARNING**

**Improper use of the cruise control can lead to a crash.**

**Use the cruise control only when travelling on open motorways in good weather.**

### Using Cruise Control



1. Push in the CRUISE button on the steering wheel. The CRUISE MAIN indicator on the instrument panel comes on.
2. Accelerate to the desired cruising speed above 40 km/h (25 mph).

3. Press and release the SET/DECEL button on the steering wheel. The CRUISE CONTROL indicator on the instrument panel comes on to show the system is now activated.

Cruise control may not hold the set speed when you are going up and down hills. If your vehicle speed increases going down a hill, use the brakes to slow down. This will cancel the cruise control. To resume the set speed, press the RES/ACCEL button. The CRUISE CONTROL indicator on the instrument panel will come back on.

When climbing a steep hill, the automatic transmission may downshift to hold the set speed.

### Changing the Set Speed

You can increase the set cruising speed in any of these ways:

- Press and hold the RES/ACCEL button. When you reach the desired cruising speed, release the button.
- Push on the accelerator pedal. Accelerate to the desired cruising speed, then press the SET/DECEL button.
- To increase the speed in very small amounts, tap the RES/ACCEL button. Each time you do this, your vehicle will speed up about 1.6 km/h (1 mph).

You can decrease the set cruising speed in any of these ways:

**NOTE:** If you need to decrease your speed quickly, use the brakes as you normally would.

- Press and hold the SET/DECEL button. Release the button when you reach the desired speed.
- To slow down in very small amounts, tap the SET/DECEL button. Each time you do this, your vehicle will slow down about 1.6 km/h (1 mph).
- Tap the brake or clutch pedal lightly with your foot. The CRUISE CONTROL indicator on the instrument panel will go out. When the vehicle slows to the desired speed, press the SET/DECEL button.

Even with cruise control turned on, you can still use the accelerator pedal to speed up for passing. After completing the pass, take your foot off the accelerator pedal. The vehicle will return to the set cruising speed.

Resting your foot on the brake or clutch pedal causes cruise control to cancel.



# Cruise Control (For some types)

---

## **Cancelling Cruise Control**

You can cancel cruise control in any of these ways:

- Tap the brake or clutch pedal.
- Push the CANCEL button on the steering wheel.
- Push the CRUISE button on the steering wheel.

## **Resuming the Set Speed**

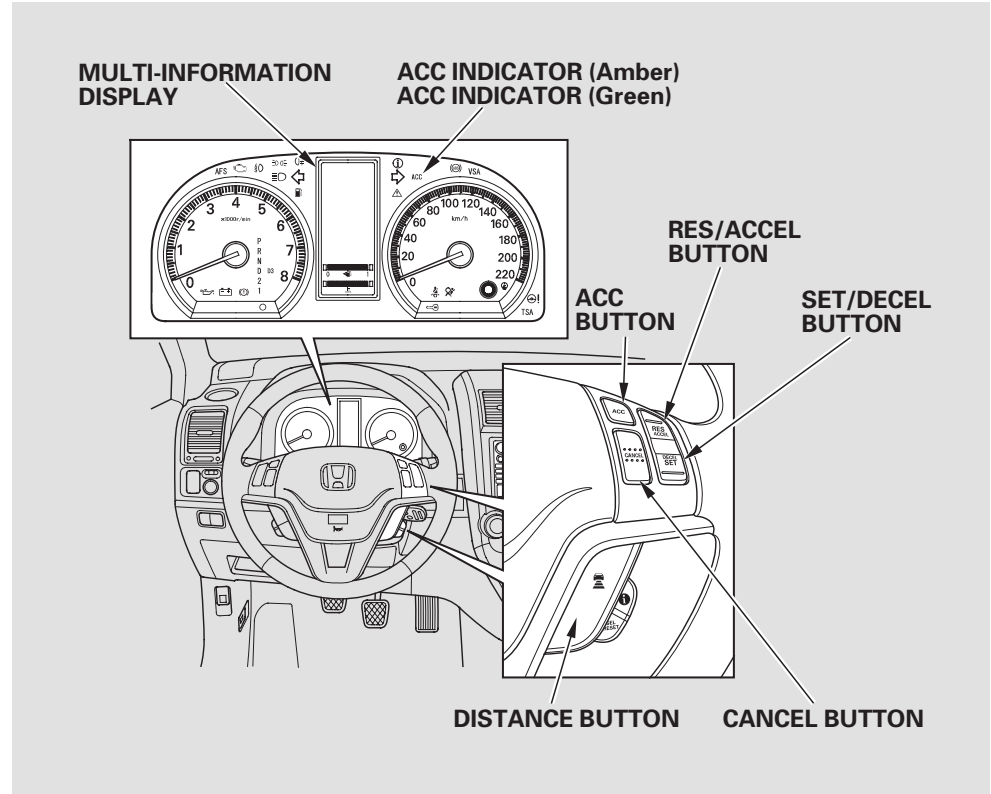
When you push the CANCEL button, or tap the brake or clutch pedal, the system will remember the previously-set cruising speed. To return to that speed, accelerate to above 40 km/h (25 mph), then press and release the RES/ACCEL button. The CRUISE CONTROL indicator comes on, and the vehicle will accelerate to the same cruising speed as before.

Pressing the CRUISE button turns the system off and erases the previous cruising speed.

## ACC Components

Adaptive cruise control (ACC) consists of a radar sensor in the front grille, the ACC buttons on the steering wheel, and the ACC functions of the multi-information display.

The radar sensor for ACC is shared with the collision mitigation brake system (CMBS). For more information on the radar sensor, see page 369 . For more information on CMBS, see page 368 .




# Adaptive Cruise Control (For some types)

---

## Overview

Adaptive cruise control (ACC) allows you to maintain a set speed and keep the vehicle ahead of you and your vehicle at a safe distance without having to use the accelerator pedal or the brake pedal.

When the vehicle ahead of you slows down or speeds up, ACC senses the change in distance and compensates by accelerating or braking your vehicle to reach the cruising speed you previously set. The distance between vehicles is based on your speed: the faster you go, the longer the distance will be; the slower you go, the shorter it will be.

If the vehicle ahead of you slows down suddenly or another vehicle cuts in front of your vehicle, ACC alerts you by sounding a beeper and displaying a symbol “” (a “BRAKE” message depending on the customize setting) on the multi-information display.

The ACC radar sensor in the front grille can detect and monitor the distance of a vehicle up to 100 meters (328 feet) ahead of your vehicle.

## Important Safety Precautions

As with any system, there are limits to ACC. Inappropriate use of ACC can result in a serious accident. Use the brake pedal whenever necessary, and always keep a safe distance between your vehicle and other vehicles.

Do not use ACC under these conditions:

- In poor visibility.
- In heavy traffic.
- When you must slow down and speed up repeatedly.
- On winding roads.
- On steep downhill.
- When you enter a toll gate, interchange, service area, parking area, etc. In these areas, there is no vehicle ahead of you, but ACC would still try to accelerate to your set speed.

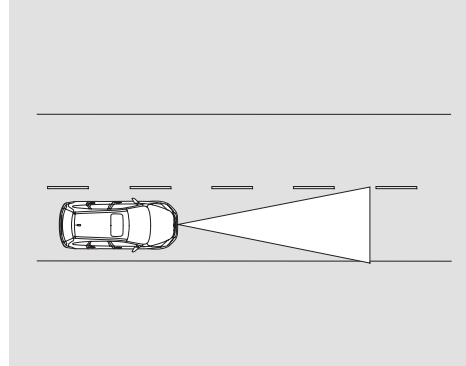
- In bad weather (rain, fog, snow, etc.)
- On slippery roads (for example, roads covered with ice or snow).

## ⚠ WARNING

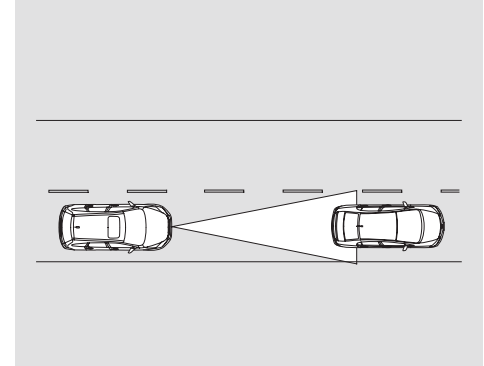
**Improper use of ACC can lead to a crash.**

**Use ACC only when travelling on open motorways in good weather.**

## Operating Characteristics




*When there is no vehicle ahead within ACC range  
Your vehicle will maintain a set cruising speed.*



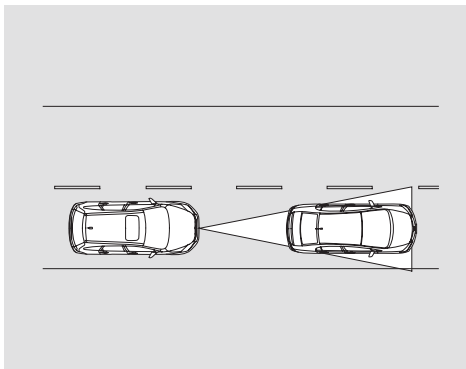
*When a vehicle ahead is within ACC range and going slower than your set speed  
If the vehicle ahead of you is going slower than your set speed, your vehicle will slow down to the speed of that vehicle. Your vehicle will then follow at a constant distance until the vehicle ahead changes speed again.*

*CONTINUED*

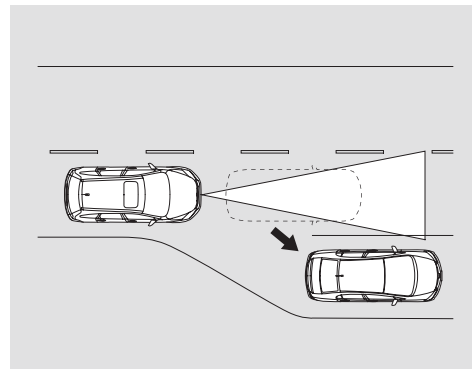
## Adaptive Cruise Control (For some types)

If the vehicle ahead of you slows down abruptly, or if another vehicle cuts in front of you, a beeper sounds and a symbol “” or a “BRAKE” message appears on the multi-information display to warn you.

In the case, decelerate your vehicle by pressing the brake pedal, and keep an appropriate distance from the vehicle ahead.



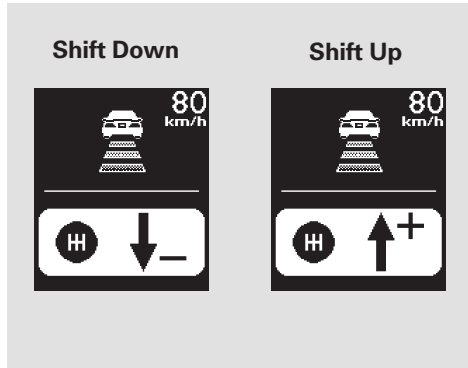
*When a vehicle ahead is within ACC range and going at a steady speed*  
Your vehicle follows the vehicle ahead of it, keeping a constant distance. ACC will not keep your vehicle at a constant distance if the vehicle ahead of you goes out of range of your set speed: above 180 km/h (112 mph) or below 30 km/h (20 mph).



If the vehicle ahead of you changes lanes, ACC no longer tracks it. Your vehicle will then return to your set speed.

When the brakes are automatically applied, the system may make some noise. However, it is not a malfunction.

## Shift Up/Shift Down Indications



*On vehicles with manual transmission*  
With the adaptive cruise control system on, either shift up or shift down indication comes on to show you the appropriate time to shift to a higher or lower gear.

This indicates that the shifting point of the engine performance limit corresponding to the gear which you select. Shifting up or down when prompted by the shift up or down indication allows the engine to run and accelerate smoothly. This helps to keep the ACC operation.

The shift up indication will be displayed when the engine speed reaches about 5,500 rpm on petrol models, and about 4,200 rpm on diesel models. At 6,000 rpm on petrol models, and 4,500 rpm on diesel models, the ACC will be deactivated. The ACC will be cancelled when the engine speed goes into the tachometer's red zone. The shift down indication will be displayed appropriately according to the deceleration. If the engine speed goes to below 1,000 rpm, the ACC will also be cancelled.

To protect the engine from damage, never drive with the tachometer reading in the red zone.

If you ignore either shift up or shift down indication, the ACC will be cancelled after about 10 seconds. For the information of the automatic ACC cancellation and resuming the ACC, see page 298 .

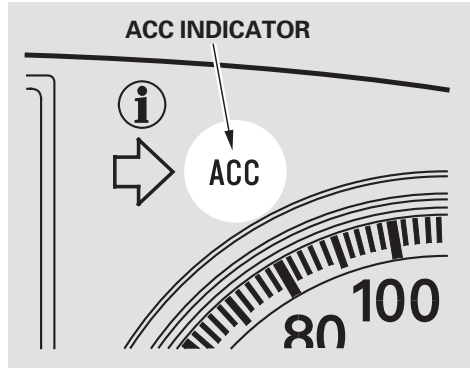
# Adaptive Cruise Control (For some types)

---

## Limitations


- ACC does not work below 25 km/h (17 mph). It cannot bring your vehicle to a complete stop.
  - ACC will not sound a beeper or display a symbol or a message on the multi-information display to warn you of vehicles going slower than 20 km/h (13 mph) or vehicles that are parked. In these cases, it is up to you to maintain a safe distance by using the brake pedal.
  - ACC may not recognize motorcycles or other small vehicles ahead of your vehicle.
- ACC may react to vehicles beside you or even buildings beside you by momentarily applying the brakes or sounding a beeper under some conditions like the sudden curve, the narrow lane, the abrupt operation of the steering wheel, or the position of your vehicle in the lane.

## Adaptive Cruise Control (ACC) Indicator (Amber)



When you turn the ignition switch to the ON (II) position, the ACC indicator comes on amber for several seconds.

This indicator comes on when there is a problem with the ACC system. You will also see the symbol “**ACC**” or the symbol with a “CHECK SYSTEM” message on the multi-information display. If this happens, take the vehicle to your dealer to have it checked. The ACC system cannot be used while this indicator is on.

If the emblem is covered with mud, dirt, wet snow, etc., or if a sticker is on the emblem, the radar sensor of the ACC will be deactivated and the ACC will not work. In this case, the ACC indicator will come on amber and you will also see the symbol “” and “**ACC**,” or the symbol with a “CHECK SYSTEM” message on the multi-information display. If this happens, the CMBS indicator will also come on, and the CMBS system warning symbol/message will be displayed on the multi-information display.

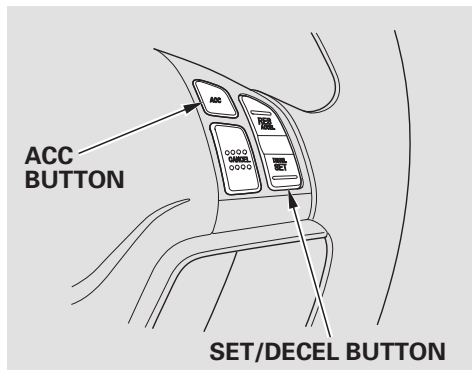
Always keep the emblem clean. If it gets dirty, clean it with water or a mild detergent. Never use chemical solvents or polishing powder.

Do not allow anything to impact the radar sensor or the emblem. If the front grille ever needs to be repaired, consult a dealer first.



# Adaptive Cruise Control (For some types)

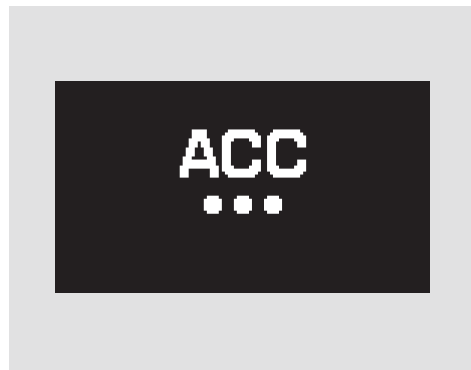
## Using the ACC



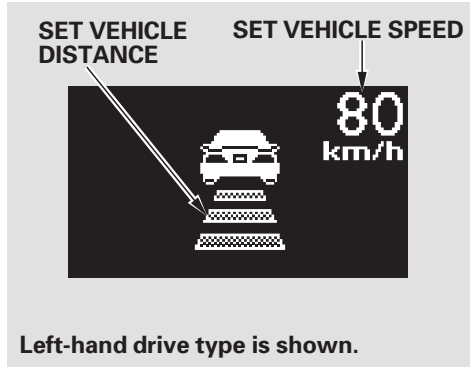
1. Push the ACC button on the steering wheel. The ACC indicator on the instrument panel comes on green, and you will see the symbol “**ACC**” or the symbol with an “ACC” message on the multi-information display.
2. Accelerate to the desired speed above 30 km/h (20 mph).

3. Press and release the SET/DECEL button on the steering wheel.

If you press the SET/DECEL button when the vehicle speed is below approximately 30 km/h (20 mph), you will hear three beeps. This means ACC is not activated, and you cannot set your speed.



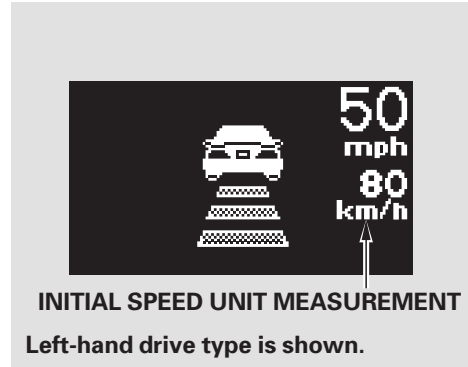
When your speed reaches 30 km/h (20 mph), ACC goes into wait mode, and you will see a symbol as shown above or “ACC STANDBY” message on the multi-information display.



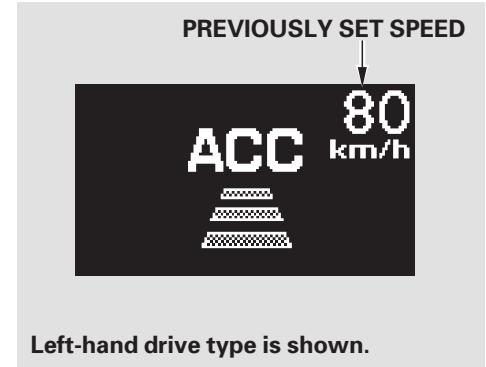
When the speed is set, it is shown along with a vehicle icon and distance bars on the multi-information display.

Refer to page 296 for how to set and change the set distance between your vehicle and the vehicle ahead of you.

To change the speed unit measurement, see page 142 .



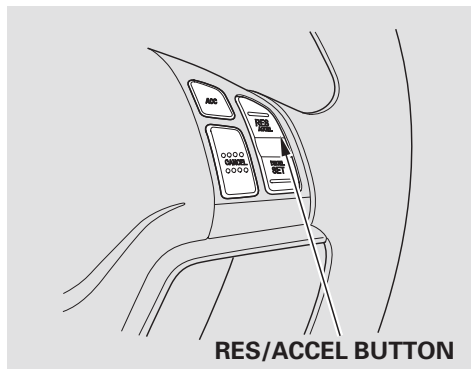
If you change the speed unit measurement from the factory default setting, the initial speed unit measurement is shown under the current unit.



If you cancel ACC by pressing the CANCEL button or by tapping the brake pedal, the previously set cruising speed is shown on the multi-information display. To store this speed as your new cruising speed, press and release the RES/ACCEL button.

# Adaptive Cruise Control (For some types)

## Increasing the Set Speed



The set speed can be increased using the RES/ACCEL button or the accelerator pedal.

To increase the set speed with the RES/ACCEL button, do this:

Press and hold the RES/ACCEL button. The vehicle will accelerate. When you reach the speed you want, release the button.

To increase your speed in small amounts, tap the RES/ACCEL button repeatedly. Each time you do this, the setting speed increases by 5 km/h (2 mph).

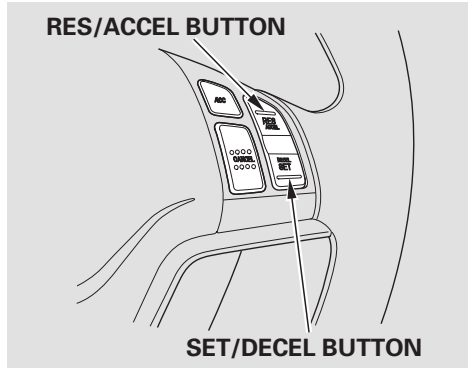
While the vehicle accelerates to the set speed, the set speed on the multi-information display will flash.

If a vehicle ahead of you is driving at a slower speed than the speed you want to set, your vehicle will not accelerate; it will keep some distance between your vehicles.

To increase the set speed with the accelerator pedal, press the accelerator pedal to increase to the speed you want, then press the SET/DECEL button. The set speed will be shown on the multi-information display.

If you do not press the SET/DECEL button, your vehicle will return to the previously set speed. The ACC beeper will not sound while you press the accelerator pedal, no matter how close you get to the vehicle ahead of you.

## Decreasing the Set Speed



The set speed can be decreased using the SET/DECEL button or the brake pedal.

To decrease the set speed with the SET/DECEL button, do this:

Press and hold the SET/DECEL button. Release the button when you reach the speed you want.

To slow down in small amounts, tap the SET/DECEL button repeatedly. Each time you do this, the setting speed decreases by 5 km/h (2 mph).

The set cruising speed will be shown on the multi-information display.

On a steep downhill, the vehicle speed may exceed the set cruising speed.

To decrease the set speed with the brake pedal, do this:

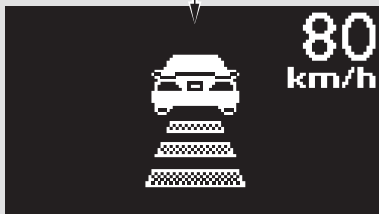
Tap the brake pedal. When the vehicle slows down to the speed you want, press the SET/DECEL button. The set speed will be shown on the multi-information display. If you use the brake pedal to decrease speed, and then press the RES/ACCEL button, your vehicle will return to the previously set speed.

*On vehicles with manual transmission*  
When the ACC is activated, shifting to a lower gear does not slow down the vehicle speed. To slow down, always press the brake pedal.

# Adaptive Cruise Control (For some types)

## Detecting a Vehicle Ahead of You

SOLID-LINE VEHICLE ICON

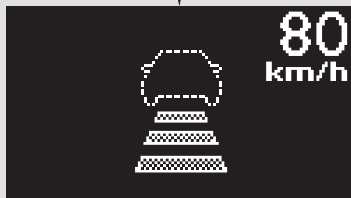


Left-hand drive type is shown.

When the system detects a vehicle ahead of you, a solid-line vehicle icon appears.

To set the pre-running detect beeper on when the system detects a vehicle, see page 141. On the default setting, the pre-running detect beeper is set to off.

DOTTED-LINE VEHICLE ICON



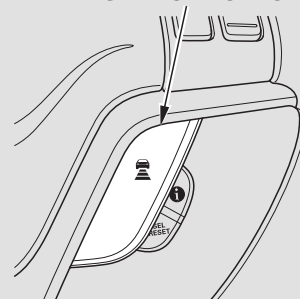
Left-hand drive type is shown.

If there is no vehicle ahead of you within ACC range, a dotted-line vehicle icon will be on the multi-information display.

You can customize the “Pre-Running Car Detect Beep” setting (see pages 140 and 141).

## Changing Vehicle Distance

DISTANCE BUTTON



With ACC on, the distance between your vehicle and the vehicle ahead of you is controlled and maintained. You can change this distance to one of three ranges: long, middle, or short.

To change the range, press the **DISTANCE** button. Each time you press the button, the range changes from Long, to Middle, and then to Short.

The higher your vehicle speed is, the longer the distance between the vehicle in front will be set as shown below.

	80 km/h (50 mph)	104 km/h (65 mph)
Long	47 metres (154 feet) (2.1 sec)	61 metres (200 feet) (2.1 sec)
Middle	34 metres (111 feet) (1.5 sec)	42 metres (138 feet) (1.5 sec)
Short	26 metres (85 feet) (1.2 sec)	31 metres (101 feet) (1.1 sec)

## NOTICE

The driver must in all circumstances preserve a sufficient braking distance from the vehicle which precedes it and be aware that minimum distances or times of spacing can be provided by the provisions of the Motorway Code locally applicable and that it is the driver's responsibility to respect those laws.

The distance you select is also shown on the multi-information display.

### LONG RANGE



Three horizontal bars

### MIDDLE RANGE



Two horizontal bars

### SHORT RANGE

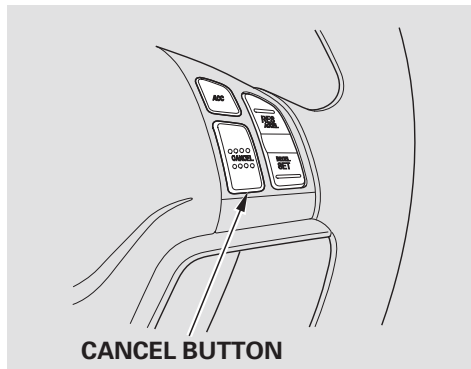


One horizontal bar

Left-hand drive type is shown.

# Adaptive Cruise Control (For some types)

## Cancelling the ACC



ACC is cancelled whenever you do any of these actions:

- Push the CANCEL button on the steering wheel.
- Tap the brake pedal.
- Press the ACC button. The ACC indicator (green) on the instrument panel goes off.

When you push the CANCEL button or tap the brake pedal to cancel ACC, the set cruising speed stays in memory. When you turn on ACC again, the speed is shown on the multi-information display. To return to that speed, accelerate to over 30 km/h (20 mph), then press the RES/ACCEL button.

If you cancel ACC by pressing the ACC button, the previously set cruising speed is erased from memory.

## Automatic ACC Cancellation

When ACC is automatically cancelled, the beeper sounds three times, and an ACC OFF message appears on the multi-information display for 3 seconds.

Any of these conditions may cause ACC to cancel:

- The vehicle speed decreases to below approximately 25 km/h (17 mph).
- Poor weather (rain, fog, snow, etc.)
- When the radar sensor in the front grille gets dirty.
- The vehicle ahead of you cannot be detected.
- An abnormal tyre condition is detected or the tyres are skidding.
- Driving on a mountainous road, or driving off road for extended periods.
- Abrupt steering wheel movement.
- When the ABS or VSA is activated.

- When the trailer stability assist function is activated.
- When the ABS or VSA indicator comes on.

*On vehicles with manual transmission*

- Ignoring either shift up or down indication on the multi-information display will cancel the ACC after about 10 seconds.
- The engine speed goes into the tachometer's red zone.
- The engine speed goes to below 1000 rpm.
- Press and hold the clutch pedal for a while at shifting.
- Shift into a higher or lower gear through shifting into neutral position temporarily.

If ACC is cancelled by any of these conditions, wait until the condition improves, then press the RES/ACCEL button to restore ACC. When you do this, the vehicle will resume its set cruising speed.




If you turn the ignition switch to the ACCESSORY (I) or LOCK (0) position after ACC was automatically cancelled, the set speed is erased, and you must enter it again (see page 292).






# Adaptive Cruise Control (For some types)

## Symbols on the Multi-information Display

The multi-information display shows various symbols related to ACC. For a description of each ACC symbol you may see, refer to the charts as follows.

Symbol/Message	Description
 The symbol consists of the letters "ACC" in white on a black rectangular background.	ACC is on.
 The symbol consists of the letters "ACC" in white on a black rectangular background, with three white dots centered below the letters.	ACC is suspended.  A cruising speed can be set by pressing the SET/DECEL button.
 The symbol consists of the letters "ACC" in white on a black rectangular background, with three white dots centered below the letters. To the right of the letters, the number "80" is displayed above "km/h". <b>Left-hand drive type shown</b>	ACC is standby, and the previously set cruising speed is in memory. The previously set speed can be resumed by pressing the RES/ACCEL button.


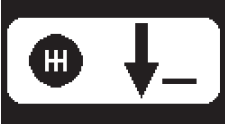
# Adaptive Cruise Control (For some types)

Symbol/Message	Description
 <p><b>Left-hand drive type shown</b></p>	ACC detects a vehicle ahead of you.
 <p><b>Left-hand drive type shown</b></p>	ACC does not detect a vehicle ahead of you.
	ACC has been automatically cancelled because its radar sensor in the front grille is dirty.

Symbol/Message	Description
	ACC has been automatically cancelled because of poor weather or other conditions (see page 299 ).  You will hear three beeps.
	Apply the brakes immediately. Your vehicle is too close to the vehicle ahead of it.  You will hear a continuous beep.
	ACC needs to be checked.  Have your vehicle checked by a dealer.

*CONTINUED*

# Adaptive Cruise Control (For some types)

Symbol/Message	Description
<p><b>On vehicle with manual transmission</b></p> 	Shift up.
<p><b>On vehicle with manual transmission</b></p> 	Shift down.

(EU models)

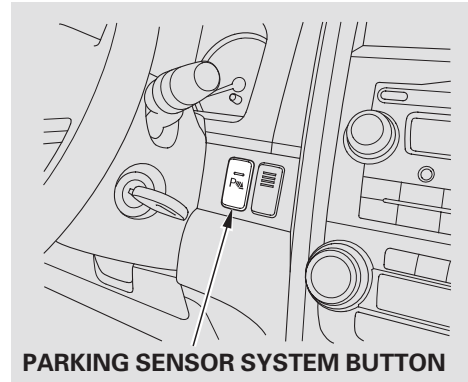
EC Directives

This radar sensor system complies with the R & TTE (Radio equipment and Telecommunications Terminal Equipment and the mutual recognition of their conformity) Directives.



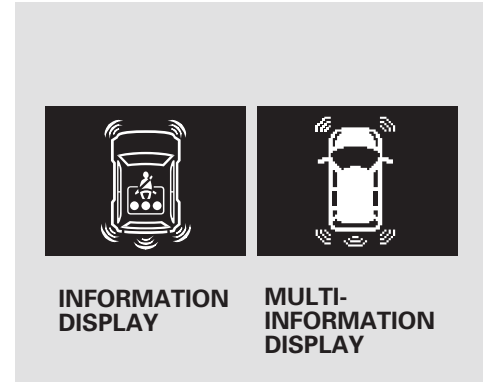
## Parking Sensor System (For some types)

Your vehicle has a parking sensor system. The system lets you know the approximate distance between your vehicle and most obstacles while you are parking. When the system is on and your vehicle is nearing an obstacle, you will hear a beeping and see parking sensor indicators on the multi-information display or the information display, depending on models.



To activate the system, push the button on the dashboard with the ignition switch in the ON (II) position. The indicator in the button comes on when the system is on. You will hear a beep. To turn the system off, push the button again.

All obstacles may not always be sensed. Even when the system is on, you should look for obstacles near your vehicle to make sure it is safe to park.



The system has two front corner sensors, two rear corner sensors, and a rear centre sensor. The rear centre sensors work when the shift lever is in reverse (R), and the vehicle speed is less than 8 km/h (5 mph).

*CONTINUED*

# Parking Sensor System (For some types)

The corner sensors work only when the shift lever is in any position (except for Park on vehicles with automatic transmission) and the vehicle speed is less than 8 km/h (5 mph).






## Indicators and Beeper Operation on the Multi-information Display/Information Display

When you turn the system on, a beeper sounds once.

When the system senses an obstacle, the appropriate indicator comes on, and a beeper sounds as shown in the following tables.

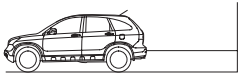




### Corner Sensor Operation

Example shown: Obstacle is at the left front of the vehicle

Distance	About 40-50 cm (16-20 in) 	About 30-40 cm (12-16 in) 	About 30 cm (12 in) or less 
Indicator	Upper left indicator stays on   <b>INFORMATION DISPLAY    MULTI-INFORMATION DISPLAY</b>		
Beeper	Short beeps	Very short beeps	Continuous beep

# Parking Sensor System (For some types)

## Rear Centre Sensor Operation

Distance	<p>About 1-1.8 m (40-70 in)</p> 	<p>About 0.6-1 m (24-40 in)</p> 	<p>About 0.6 m (24 in) or less</p> 
Indicator	<p style="text-align: center;">Bottom indicator stays on</p> <div style="display: flex; justify-content: space-around; align-items: center;">   </div> <p style="text-align: center;"><b>INFORMATION DISPLAY    MULTI-INFORMATION DISPLAY</b></p>		
Beeper	Short beeps	Very short beeps	Continuous beeps

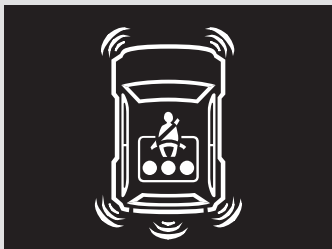


*On vehicles with multi-information display*  
 If the system develops a problem, you will see all indicators or the indicators with a “CHECK SYSTEM” message on the multi-information display, and a beeper sounds continuously.

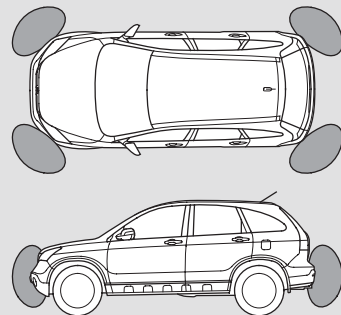
*CONTINUED*

## Parking Sensor System (For some types)

Very often, a sensor covered with mud, ice, snow, etc. is the cause of this display. Check the sensors first. If the indicators stay on or the beeper does not stop, have the system checked by your dealer.



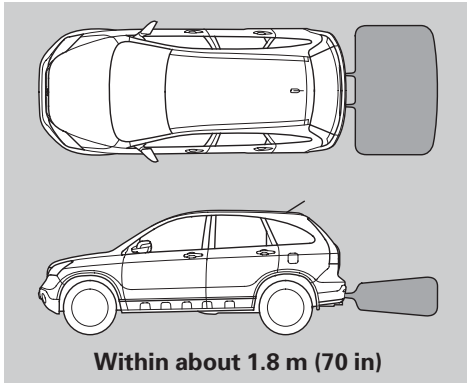
*On vehicles with information display*  
If the system develops a problem, you will see all parking sensor indicators in the information display, and a beeper sounds continuously. Very often, a sensor covered with mud, ice, snow, etc. is the cause of this indication. Check the sensors first. If the indicators stays on or the beeper does not stop, have the system checked by your dealer.



**Within about 50 cm (20 in)**

The range of the corner sensors and the rear centre sensor are limited. Each corner sensor is capable of sensing an obstacle only when your vehicle is 50 cm (20 in) or closer.

## Parking Sensor System (For some types)



The rear centre sensor senses an obstacle that is behind your vehicle 1.8 m (70 in) or closer.

Do not put any accessories on or around the sensors.

The system may not function properly under these conditions:

- The sensors are covered with snow, ice, mud, etc.
- When the vehicle is on a rough road, on grass, or on a hill.
- After the vehicle has been sitting out in hot or cold weather.
- When the system is affected by some electrical equipment or devices generating an ultrasonic wave.
- When operating the vehicle in bad weather.

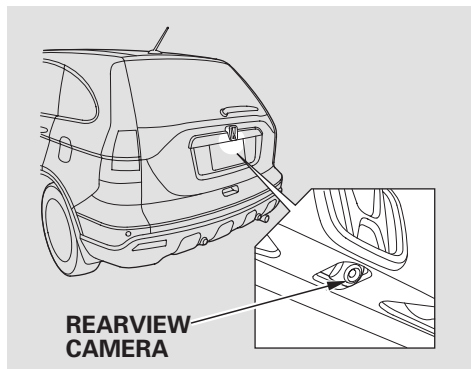
The system may not sense thin or low objects, or sonic-absorptive materials such as snow, cotton, or sponge.

The system cannot sense objects directly under the bumper.



## Rearview Camera and Monitor (For some types)

*On vehicles with navigation system*



Whenever you shift to reverse (R) with the ignition switch in the ON (II) position, the rear view is shown on the navigation system screen.

For the best picture, always keep the rearview camera clean, and do not cover the camera lens. To avoid scratching the lens when you clean it, use a moist, soft cloth.

When in reverse, the touch screen and navigation system “hard” buttons are locked out, except the “ZOOM” button. Touching the “▼” or “▲” button allows you to adjust the brightness of the rearview camera image.

### **NOTICE**

The camera brightness cannot be adjusted by voice control.

Since the rearview camera display area is limited, you should always back up slowly and carefully, and look behind you for obstacles.

## *Optional on vehicles with navigation system*

Your vehicle is equipped with the Hands-Free Telephone (HFT) system. HFT system uses Bluetooth technology as a wireless link between it and your Bluetooth compatible mobile phone. When you are in your vehicle and your phone is linked to the HFT system, you'll enjoy hands-free phone use. The HFT system is available in any of the five languages; English, French, Italian, German, and Spanish. To change the language, see page 326 .

The available language is set to English as the default setting when your vehicle leaves the factory. The voice of the HFT system is set to female.

Here are the main features of the HFT system. Instructions for using the HFT system begin on page 312 .

## **Voice Control**

HFT system recognizes simple voice commands, such as phone numbers and names. It uses these commands to automatically dial, receive, and store numbers. For more information on voice control, see Using Voice Control on page 312 .

## **Bluetooth® Wireless Technology**

Bluetooth® is a registered trademark of Bluetooth SIG, Inc.

Bluetooth is the wireless technology that links your phone to the HFT system. The HFT system uses a Class 2 Bluetooth, which means the maximum range between your phone and vehicle is 10 meters (30 feet).

To use the HFT system, your phone must have approved Bluetooth capability along with the Hands Free Profile. This type of phone is available through many phone makers and network operators.

## **Incoming/Outgoing Calls**

With a linked phone, the HFT system allows you to send and receive calls in your vehicle without holding the phone.

# Hands-Free Telephone (HFT) System (For some types)

## Phonebook

The HFT system can store up to 50 names and phone numbers in its phonebook. With a linked phone, you can then automatically dial any name or number in the phonebook.

Here are the main components of the HFT system:

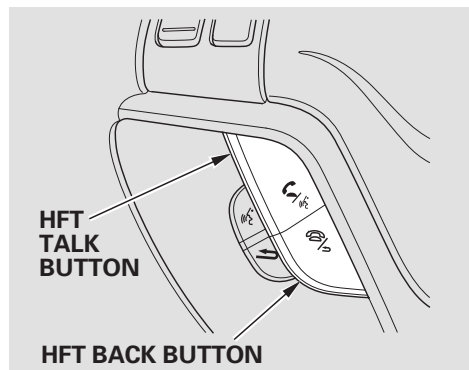
## Microphone

The HFT system microphone is on the ceiling console. The microphone is shared with the navigation system.

## Audio System

When the HFT system is in use, the sound comes through the vehicle's front audio system speakers. If the audio system is in use while operating either of HFT buttons or making a call, the HFT system overrides the audio system. To change the volume level, use the audio system volume knob.

## HFT Buttons



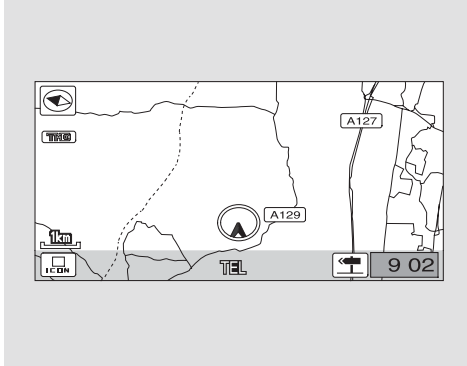
To operate the HFT, use the HFT Talk and Back buttons on the left side of the steering wheel. Below the HFT buttons is another set of voice control buttons for the navigation, climate control, and audio systems.

Here is the function of each HFT button:

**HFT Talk:** This button is used before you give a command, to answer incoming calls, and to confirm system information.

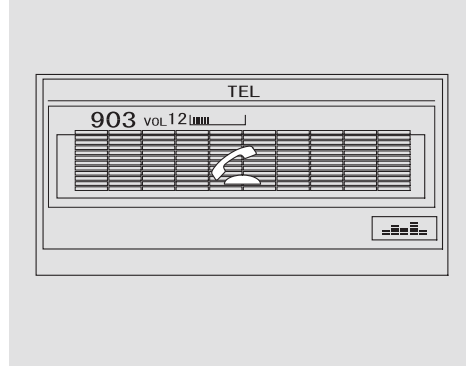
**HFT Back:** This button is used to end a call, go back to the previous voice control command, and to cancel an operation.

## Information Display



When you are operating the HFT you are dialing and receiving calls, you will see “TEL” on the navigation display.

“” indicator will be displayed if your phone is linked to the Bluetooth compatible cell phone.



When you are operating the HFT, dialing or receiving calls with the audio system in use, you will see the symbol and “TEL” on the navigation display.

# Hands-Free Telephone (HFT) System (For some types)

---

## How to Use the HFT System

The HFT system is operated by the HFT Talk and Back buttons on the left side of the steering wheel. The next few pages provide instructions for all basic features of the HFT system.

**NOTE:** All phones may not operate identically, and some may cause inconsistent operation of the HFT system.

## Using Voice Control

Here are some guidelines for using voice control:

- To enter a command, press the Talk button. Then, after the beep, say your command in a clear, natural tone.
- For best system operation, set the climate control fan speed to low, and direct the centre vents away from the microphone in the ceiling.
- If the HFT system does not recognize a command, its response is, "Pardon." If it doesn't recognize the command a second time, its response is, "Please repeat." If it doesn't recognize the command a third time, it plays the Help prompt.

- To hear a list of available options at any time, press the Talk button, wait for the beep, and say, "Hands free link help."
- Many commands can be spoken together. For example, you can say, "Dial 123-456-7891."
- To enter a string of numbers in a Call or Dial command, you can say them all at once, or you can separate them in blocks of 3, 4, 7, 10, or 11.
- To skip a voice prompt, press the Talk button while the HFT system is speaking. The HFT system will then begin listening for your next command.

- To go back one step in a command process, say, “Go back,” or press the Back button.  
If nothing is said while the HFT system is listening for a command, the HFT system will time out and stop its voice recognition. The next time you press the Talk button, the HFT system begins listening from the point at which it timed out.
- To end a command sequence at any time, press and hold the Back button, or press the Talk button, wait for the beep, and say, “Cancel.” The next time you press the Talk button, the HFT system begins from its main menu.

- When you finish a command sequence, the HFT system goes back to its main menu. For example, when you store the name, “Eric,” the HFT system response is, “Eric has been stored.” The next time you press the Talk button, you will be at the main menu.

## **Setting Up the System**

The incoming notification of the HFT system can be set to a ring tone, a prompt, or no notification.

*To set up the system, do this:*

1. Press and release the Talk button.  
After the beep, say “System.” The HFT system response is, “System options are setup and clear.”
2. Press and release the Talk button.  
After the beep, say “Setup.” The HFT system response is “Would you like an audible notification of an incoming call?”

*CONTINUED*

## Hands-Free Telephone (HFT) System (For some types)

---

3. Press and release the Talk button. If you say “Yes” after the beep, the HFT system response is, “Would you like the notification to be a ring tone or a prompt?” If you say “No” after the beep, the HFT system returns to its main menu. Saying “No” will result in no ring tone or prompt playback during an incoming call. The audio system will be mute, and a message will be displayed.

4. Press and release the Talk button. After the beep, say “Ring tone” or “Prompt.” The HFT system response is “A ring tone will be used.” or “An incoming call prompt will be used.”

If you choose “Ring tone,” you will hear a ring tone through the audio speakers to announce an incoming call. If you choose “Prompt,” you will hear this message to announce an incoming call: “You have an incoming call.”

5. The HFT system response continues “A security option is available to lock the hands free system. Each time the vehicle is turned on, a password would be required to use this system. Would you like this security option turned on?”

6. Press and release the Talk button. If you say “No” after the beep, the HFT system response is, “Security will not be used. The system setup is complete.”

If you say “Yes,” you can set your password. Refer to the setting procedure in the next column.

## Setting Your Password

The HFT system will accept a numeric, four-digit password that you can use for security purposes.

*To set your password, do this:*

1. Follow the system setup procedure from the step 1 through the step 5 as described previously.
2. Press and release the Talk button. After the beep, say “Yes.”
3. The HFT system response is “What is the four digit number you would like to set as your password?”
4. Press and release the Talk button. After the beep, say the four-digit password you want to use. For example, say “1, 2, 3, 4.” The HFT system response is “1, 2, 3, 4. Is this correct?”

5. Press and release the Talk button. After the beep, say “Yes.” The HFT system response is “The system is now locked. Each time the vehicle is turned on, the password will be required to use the system. The system setup is complete. Returning to the main menu.”

*To enter your password, do this:*

Once a password is set, you can lock the HFT system so it only operates after the password is entered.

1. The HFT system will prompt you for your password each time the ignition switch is turned to the ON (II) position and you press the Talk button. You will only be asked for the password once per ignition cycle. If the password is set, its response is “The system is locked. What is the four-digit password?”

2. Press and release the Talk button. After the beep, say your four-digit password. For example, say “1, 2, 3, 4.”
3. If the password is correct, the HFT system response is “Main menu.”

If the password is not correct, the HFT system response is “1, 2, 3, 4 is incorrect. Please try again.” Go back to the step 2.

If you forget your password and you cannot activate the HFT system, consult your dealer to cancel the password.



# Hands-Free Telephone (HFT) System (For some types)

---

## Pairing Your Phone

Your Bluetooth compatible phone with HandsFree Profile must be paired to the HFT system before you can make and receive hands-free calls.

### NOTE:

- HFT system does not allow you to pair your phone if the vehicle is moving.
- For pairing, your phone must be in its Discovery mode.
- Up to six phones can be paired to the HFT system.
- The following procedure works for most phones. If you cannot pair your phone to the HFT system with this procedure, refer to your phone's operating manual, or talk to your phone retailer.
- During the pairing process, turn off any previously paired phones before pairing a new phone.

1. With your phone on and the ignition switch in the ACCESSORY (I) or ON (II) position, press and release the Talk button. After the beep, say "Phone set up." The HFT system response is "Phone set up options are status, pair, edit, delete, and list."
2. Press and release the Talk button. After the beep, say "Pair." The HFT system response is "The pairing process requires operation of your mobile phone. For safety, only perform this function while the vehicle is stopped. State a four-digit code for pairing. Note this code. It will be requested by the phone."

## Hands-Free Telephone (HFT) System (For some types)

---

3. Press and release the Talk button. After the beep, say the four-digit code you want to use. For example, say “1, 2, 3, 4.” The HFT system response is, “1, 2, 3, 4. Is this correct?”
4. Press and release the Talk button. After the beep, say “Yes.” The HFT system response is “Searching for a Bluetooth phone. Make sure the phone you are trying to pair is in discovery mode.”
5. Follow the prompts on your phone to get it into its Search mode. The phone will search for the HFT system. When it comes up, select Hands-Free Telephone System from the list of options displayed on your phone.
6. When asked by the phone, enter the four-digit code from step 3 into your phone. The HFT system response is “A new phone has been found. What would you like to name this phone?”
7. Press and release the Talk button. After the beep, say the name you want to use. For example, say “Eric’s phone.” The HFT system response is “Eric’s phone has been successfully paired. Returning to the main menu.”
8. If you want to pair another phone, repeat steps 1 through 7.

**NOTE:** Steps 5 and 6 show a common way to get your phone into its Discovery mode. If these steps do not work on your phone, refer to the phone’s operating manual.

*CONTINUED*

## Hands-Free Telephone (HFT) System (For some types)

---

*To rename a paired phone, do this:*

1. Press and release the Talk button.  
After the beep, say “Phone setup.”  
The HFT system response is “Phone setup options are status, pair, edit, delete, and list.”
2. Press and release the Talk button.  
After the beep, say “Edit.” The HFT system response is “Which phone would you like to edit?”
3. Press and release the Talk button.  
After the beep, say the name of the phone you want to rename.  
For example, say “Eric’s phone.”  
The HFT system response is “What is the new name for Eric’s phone?”

4. Press and release the Talk button.  
After the beep, say the new name of the phone. For example, say “Lisa’s phone.” The HFT system response is, “The name has been changed. Returning to the main menu.”

*To delete a paired phone, do this:*

1. Press and release the Talk button.  
After the beep, say “Phone setup.”  
The HFT system response is, “Phone setup options are status, pair, edit, delete, and list.”
2. Press and release the Talk button.  
After the beep, say “Delete.” The HFT system response is, “Which phone would you like to delete?”

3. Press and release the Talk button.  
After the beep, say the name of the phone you want to delete. For example say “Eric’s phone.” The HFT system response is “Would you like to delete Eric’s phone?”
4. Press and release the Talk button.  
After the beep, say “Yes.” The HFT system response is “Preparing to delete Eric’s phone.”  
Say “OK” to continue. Otherwise, say “Go back,” or “Cancel.”
5. Press and release the Talk button.  
If you say “OK” after the beep, the HFT system response is “The phone has been deleted. Returning to the main menu.” If you say “Go back,” or “Cancel,” the phone will not be deleted.

## Hands-Free Telephone (HFT) System (For some types)

---

*To list all paired phones, do this:*

1. Press and release the Talk button.  
After the beep, say "Phone setup."  
The HFT system response is "Phone setup options are status, pair, edit, delete, and list."
2. Press and release the Talk button.  
After the beep, say "List." The HFT system responds by listing the name of each paired phone. When all phones paired to the system have been read, the HFT system response is "The entire list has been read. Returning to the main menu."

*To find out the status of the phone being used, do this:*

1. Press and release the Talk button.  
After the beep, say "Phone setup."  
The HFT system response is "Phone setup options are status, pair, edit, delete, and list."
2. Press and release the Talk button.  
After the beep, say "Status." An example of the HFT system response is, "Eric's phone is linked. Battery strength is three bars. Signal strength is five bars, and the phone is roaming. Returning to the main menu."

Some phones do not send the status information to the HFT system.

*To change from the currently linked phone to another paired phone, do this:*

1. Press and release the Talk button.  
After the beep, say "Next phone."  
The HFT system response is "Searching for the next phone."  
The HFT system then disconnects the linked phone and searches for another paired phone. If no other phones are found, the first phone remains linked.

# Hands-Free Telephone (HFT) System (For some types)

---

## Making a Call

You can make calls using any phone number, or by using a name in the HFT system phonebook. You can also redial the last number called. During a call, the HFT system allows you to talk up to 30 minutes after you remove the key from the ignition switch.

*To make a call using a phone number, do this:*

1. With your phone on and the ignition switch in the ACCESSORY (I) or ON (II) position, press and release the Talk button. After the beep, say “Call” or “Dial.” The HFT system response is, “What name or number would you like to call/dial?”

2. Press and release the Talk button. After the beep, say the number you want to call. For example, say “123 456 7891.” The HFT system response is “123 456 7891. Say call, dial, or continue to add numbers.”
3. Press and release the Talk button. After the beep, say “Call” or “Dial.” The HFT system response is “Calling” or “Dialing.” Once connected, you will hear the person you called through the audio speakers. To change the volume, use the audio system volume knob.
4. To end the call, press the Back button.

*To make a call using a name in the HFT system phonebook, do this:*

1. With your phone on and the ignition switch in the ACCESSORY (I) or ON (II) position, press and release the Talk button. After the beep, say “Call” or “Dial.” The HFT system response is, “What name or number would you like to call/dial?”
2. Press and release the Talk button. After the beep, say the name you want to call. For example, say “Eric.” The HFT system response is “Would you like to call Eric?”
3. Press and release the Talk button. After the beep, say “Yes.” The HFT system response is “Calling” or “Dialing.” Once connected, you will hear the person you called through the audio speakers. To change the volume, use the audio system volume knob.

4. To end the call, press the Back button.

To redial the last number called by the phone, press and release the Talk button. After the beep, say “Redial.” The HFT system response is, “Redialing.” Once connected, you will hear the person you called through the audio speakers. To change the volume, use the audio system volume knob.

## **Sending Numbers or Names During a Call**

The HFT system allow you to send numbers or names during a call. This is useful when you call a menu-driven phone system. You can also program account numbers into the HFT system phonebook for easy retrieval during menu-driven calls.

*To send a number during a call, do this:*

1. Press and release the Talk button. After the beep, say “Send.” The HFT system response is, “What name or number would you like to send?”
2. Press and release the Talk button. After the beep, say the number you want to send. For example, say “1, 2, 3.” The HFT system response is “1, 2, 3. Say send, or continue to add numbers.”

3. Press and release the Talk button. After the beep, say “Send.” The dial tones will be sent, and the call will continue.

*To send a name during a call, do this:*

1. Press and release the Talk button. After the beep, say “Send.” The HFT system response is, “What name or number would you like to send?”
2. Press and release the Talk button. After the beep, say the name you want to send. For example, say “Account number.” The HFT system response is “Would you like to send account number?”
3. Press and release the Talk button. After the beep, say “Send.” The dial tones will be sent, and the call will continue.

# Hands-Free Telephone (HFT) System (For some types)

---

## Receiving a Call

If you receive a call when you are not on the phone, the HFT system interrupts the audio system (if it is on), and plays the incoming call notification, if activated. To answer the call, press the Talk button and begin speaking. If you don't want to answer the call, press the Back button.

If your phone has Call Waiting, and you receive a call when you are on the phone, press and release the Talk button to answer it. When you do this, the original call is placed on hold. To return to the original call, press the Talk button again. If you don't want to answer the new call, disregard it, and continue with your original call. If you want to hang up the original call and answer the new call, press the Back button.

## Transferring a Call

During a call, you can transfer it from the HFT system to your phone, or from your phone to the HFT system.

*To transfer a call from the HFT system to your phone, do this:*

1. Press and release the Talk button.  
After the beep, say "Transfer."  
The audio switches from the HFT system to the phone.

*To transfer a call from your phone to the HFT system, do this:*

2. Press and release the Talk button.  
After the beep, say "Transfer."  
The audio switches from your phone to the HFT system.

## Muting a Call

During a call, you can mute or unmute your voice to the person you are talking to.

*To mute your voice, do this:*

1. Press and release the Talk button. After the beep, say "Mute." The HFT system response is, "Mute is active."

*To unmute your voice, do this:*

2. Press and release the Talk button. After the beep, say "Mute." The HFT system response is, "Mute is cancelled."

## Setting up the Phonebook

The HFT system phonebook can store up to 50 names with their associated numbers. These can be any types of numbers. For example, you can store a phone number and use it to make a call, or you can store a name tag and use it to call.

*To add a name, do this:*

1. Press and release the Talk button. After the beep, say "Phonebook." The HFT system response is "Phonebook options are store, edit, delete, and list."
2. Press and release the Talk button. After the beep, say "Store." The HFT system response is, "What name would you like to store?"
3. Press and release the Talk button. After the beep, say the name you would like to store. For example, say "Eric". The HFT system response is "What is the number for Eric?"
4. Press and release the Talk button. After the beep, say the number. For example, say "123 456 7891." The HFT system response is "123 456 7891."

*CONTINUED*



## Hands-Free Telephone (HFT) System (For some types)

---

5. Press and release the Talk button. After the beep, say “Enter.” The HFT system response is “Eric has been stored. Returning to the main menu.”

*To edit the number of a name, do this:*

1. Press and release the Talk button. After the beep, say “Phonebook.” The HFT system response is “Phonebook options are store, edit, delete, and list.”
2. Press and release the Talk button. After the beep, say “Edit.” The HFT system response is, “What name would you like to edit?”
3. Press and release the Talk button. After the beep, say the name you would like to edit. For example, say “Eric.” The HFT system response is “What is the new number for Eric?”

4. Press and release the Talk button. After the beep, say the new number for Eric. For example, say “987 654 3219.” The HFT system response is, “987 654 3219.”

5. Press and release the Talk button. After the beep, say “Enter.” The HFT system response is “The number has been changed. Returning to the main menu.”

*To delete a name, do this:*

1. Press and release the Talk button. After the beep, say “Phonebook.” The HFT system response is, “Phonebook options are store, edit, delete, and list.”
2. Press and release the Talk button. After the beep, say “Delete.” The HFT system response is, “What name would you like to delete?”

3. Press and release the Talk button. After the beep, say the name you would like to delete. For example, say “Eric.” The HFT system response is “Would you like to delete Eric?”

4. Press and release the Talk button. After the beep, say “Yes.” The HFT system response is, “The name has been deleted. Returning to the main menu.”

*To list all names in the phonebook, do this:*

1. Press and release the Talk button. After the beep, say “Phonebook.” The HFT system response is, “The Phonebook options are store, edit, delete, and list.”

2. Press and release the Talk button. After the beep, say "List." The HFT system responds by listing the names in the phonebook. When the end of the list is reached, the HFT system response is, "The entire list has been read. Returning to the main menu."

*To call a name from the phonebook list, do this:*

1. Press and release the Talk button. After the beep, say "Phonebook." The HFT system response is "Phonebook options are store, edit, delete, and list."
2. Press and release the Talk button. After the beep, say "List." The HFT system responds by listing the names in the phonebook. When it says the name you want to call, for example, Eric, press the Talk button, and then say "Call." The HFT system response is, "Would you like to call Eric?"
3. Press and release the Talk button. After the beep, say "Yes." The HFT system response is "Calling." Once connected, you will hear the person you called through the audio speakers. To change the volume, use the audio system volume knob.

## **Clearing the System**

This operation clears the HFT system of your password, your paired phones, and all names in the HFT system phonebook. Clearing is recommended before you sell your vehicle.

*To clear the system, do this:*

1. Press and release the Talk button. After the beep, say "System." The HFT system response is, "System options are setup and clear."
2. Press and release the Talk button. After the beep, say "Clear." The HFT system response is, "This process will clear all paired phones, clear all entries in the phonebook, and clear the password and restore the defaults in the system setup. Is this what you would like to do?"

*CONTINUED*

## Hands-Free Telephone (HFT) System (For some types)

---

3. Press and release the Talk button. After the beep, say “Yes.” The HFT system response is “Preparing to clear all paired phones, all phonebook entries, and the password, and restore the defaults in the system setup. This may take up to 2 minutes to complete.” Say “OK” to proceed, otherwise say “Go back” or “Cancel.”
4. If you said “OK,” after a short period of time, the HFT system response is, “System has been cleared. Returning to the main menu.”

### Changing Language

*To select any of the five languages; English, French, Italian, German, and Spanish, do this:*

For example, change from English to French.

1. Press and release the Talk button. After the beep, say “Change language.” The HFT system response is English, French, Italian, German, or Spanish ?
2. Press and release the Talk button. After the beep, say “French.” The HFT system response in the new selecting language is “You have selected French. Name tags that were stored while in another language will not be accessible in French mode. Would you like to continue ? ”, then the system repeats the response in the currently selected language.

3. Press and release the Talk button. After the beep, say “Yes” in the selected language (in French in this example). If there are no paired phones without French name tags, the HFT system response in the selected language is “The language has been changed,” then “Returning to the main menu.” After this response, the system recognizes your commands in the selected language only.

If there are paired phones without French name tags, the HFT system response in the selected language is “For the system to identify phones that were paired while in another language, the phone names need to be re-recorded.”

**NOTE:** If there are paired phones without French name tags, the following prompts will continue.

## Hands-Free Telephone (HFT) System (For some types)

4. The HFT system response in the selected language is, for example, “What is the French name for <Paul’s phone>?” Press and release the Talk button. After the beep, say “Paul’s phone” in the selected language. The HFT system response is, “What is the French name for <Pat’s phone>?” Press and release the Talk button. Say “Pat’s phone.” After all paired phones missing a French name tag are re-recorded, the HFT system will prompt in the selected language, “Returning to the main menu.”

*To change from French to English, do this:*

1. Press and release the Talk button. After the beep, say “Change language” in the currently selected language. The HFT system response in the currently selected language is, “English, French, German, Italian, or Spanish ? ”
2. Press and release the Talk button. After the beep, say “English” in the currently selected language. The HFT system response in the new selecting language is, “You have selected English. Name tags that were stored while in French mode will not be accessible in English mode. Would you like to continue ? ”, then the system repeats the response in the currently selected language.

3. Press and release the Talk button. After the beep, say “Yes” in the selected language. If there are no paired phones without English name tags, the HFT system response is “The language has been changed. Returning to the main menu.” in the selected language.

If there are paired phones without English name tags, the HFT system response is “The language has been changed. For the system to identify phones that were paired while in another language, the phone names need to be re-recorded.”

**NOTE:** If there are paired phones without English name tags, the following prompts will continue.

*CONTINUED*

## Hands-Free Telephone (HFT) System (For some types)

---

4. The HFT system says, for example, “What is the English name for <Paul’s phone>?” Press and release the Talk button. After the beep, say “Paul’s phone” in the selected language. The HFT system response is “What is the English name for <Pat’s phone>?” Press and release the Talk button. After the beep, say “Pat’s phone.” After all paired phones missing an English name tag are re-recorded, the HFT system will say “Returning to the main menu.”

### ***Quick Language Selection***

*To select a language quickly, do the following.*

For example, change from English to French.

1. Press and release the Talk button. After the beep, say “French” in the selecting language. In this case, say in French.
2. The HFT system response in the new selecting language is “You have selected French. Name tags that were stored while in another language will not be accessible in French mode. Would you like to continue ? ” The system also repeats the response in the currently selected language.
3. If you want to continue, follow steps 3 and 4 in page 326 .

## **HFT System Limitations**

When using voice control, the HFT system call is placed on hold, or the HFT system stops its voice recognition. The HFT system call will continue when voice control command is ended. To operate the HFT system again, press the Talk button. Then after the beep, say the appropriate command.

In addition, you cannot use the HFT system while receiving a PTY alarm.

*For information of DoC (Declaration of Conformance)*

### *EU models*

Hereby, *Johnson Controls Automotive*, declares that this *Hands-Free Telephone System* is in compliance with the essential requirements and other relevant provisions of Directive 1999/5/EC.

[www.jciblueconnect.com/faq/EU\\_DoC.pdf](http://www.jciblueconnect.com/faq/EU_DoC.pdf)

### *Except EU models*

For additional conformance information: [www.jciblueconnect.com/faq](http://www.jciblueconnect.com/faq)



Before you begin driving your vehicle, you should know what fuel to use and how to check the levels of important fluids. You also need to know how to properly store luggage or packages. The information in this section will help you. If you plan to add any accessories to your vehicle, please read the information in this section first.

Break-in Period .....	332
Fuel Recommendation .....	332
Petrol models .....	332
Diesel models.....	332
Service Station Procedures .....	333
Refueling.....	333
Opening and Closing the Bonnet .....	335
Oil Check .....	336
Engine Coolant Check .....	338
Fuel Cutoff System.....	339
Fuel Economy .....	340
Accessories and Modifications ....	341
Carrying Luggage.....	343



# Break-in Period, Fuel Recommendation

---

## **Break-in Period**

Help assure your vehicle's future reliability and performance by paying extra attention to how you drive during the first 1,000 km (625 miles). During this period:

- Avoid full-throttle starts and rapid acceleration.
- Avoid hard braking for the first 300 km (200 miles).
- Do not change the oil until the scheduled maintenance time.
- Do not tow a trailer.

You should also follow these recommendations with an overhauled or exchanged engine, or when the brakes are replaced.

## **Fuel Recommendation**

### ***Petrol models***

Your vehicle is designed to operate on Premium/Super unleaded petrol with a Research Octane Number (RON) of 95 or higher.

Petrol of the recommended Research Octane Number (RON) may not be available in some areas. In this case, petrol of a lower octane may be used temporarily if it does not cause engine "knocking." This will result in decreased engine performance.

Using petrol containing lead will damage your vehicle's emissions controls and engine. This contributes to air pollution.

### ***Diesel models***

Your vehicle is designed to use only Diesel Fuel (also known as Automotive gas oil and Derv).

Your vehicle is not designed to use RME (Rapeseed Methyl Ester). For more information, ask your dealer.

The quality of diesel fuel (Derv) can vary in different countries, and only clean and good quality fuel should be used.

You need to use the proper fuel for EN590 and also vary the fuel depending on the season. Select the proper fuel according to the regional or climate condition. Use of inadequate fuel may reduce engine power. In this case, on vehicles with information display, the PGM-FI indicator may come on. On vehicles with multi-information display, the symbol “PGM-FI” may appear on the display.

For proper fuel selection, “DIESEL” is marked on the fuel fill cap.

## NOTICE

Serious damage may occur if petrol is used in diesel engines.

## Refueling



1. Park with the left side closest to the service station pump.
2. Open the fuel fill door by pulling on the handle located under the lower corner of the dashboard.

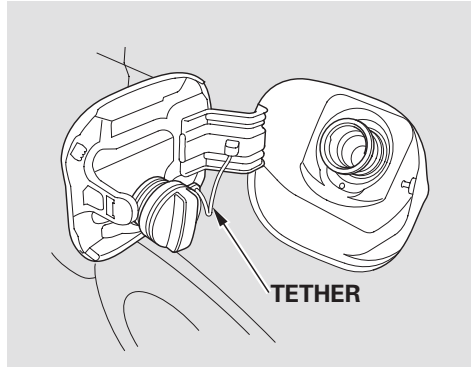
## ⚠ WARNING

**Fuel is highly flammable and explosive. You can be burned or seriously injured when handling fuel.**

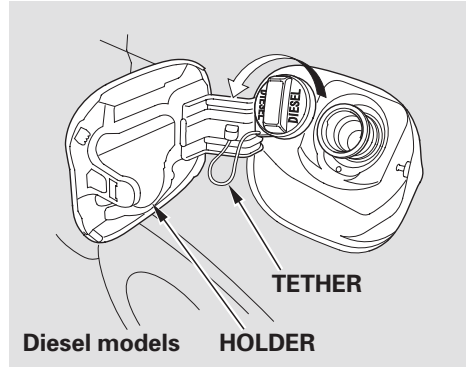
- Stop the engine, and keep heat, sparks, and flame away.
- Handle fuel only outdoors.
- Wipe up spills immediately.

*CONTINUED*

# Service Station Procedures



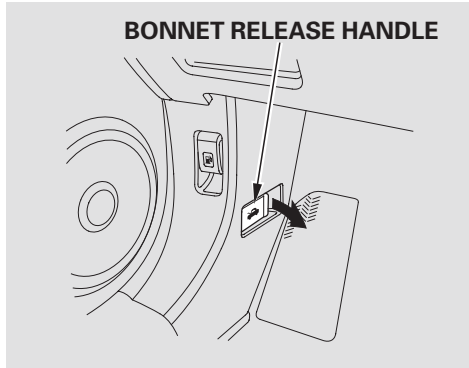
3. Remove the fuel fill cap slowly. You may hear a hissing sound as pressure inside the tank escapes.



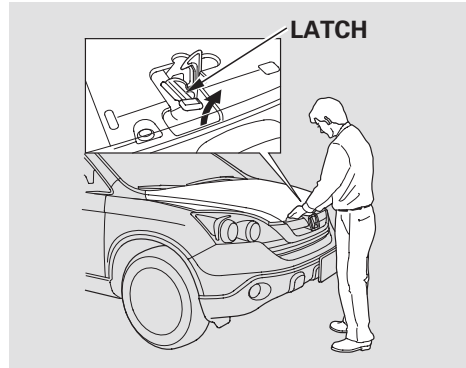
Place the fuel fill cap in the holder on the fuel fill door. To prevent the fuel fill cap from becoming lost, it is attached to the fuel filler with a tether.

4. Stop filling the tank after the fuel nozzle automatically clicks off. Do not try to “top off” the tank. Leave some room for the fuel to expand with temperature changes.
5. Screw the fuel fill cap back on until it clicks at least once.
6. Push the fuel fill door closed until it latches.

## Opening and Closing the Bonnet

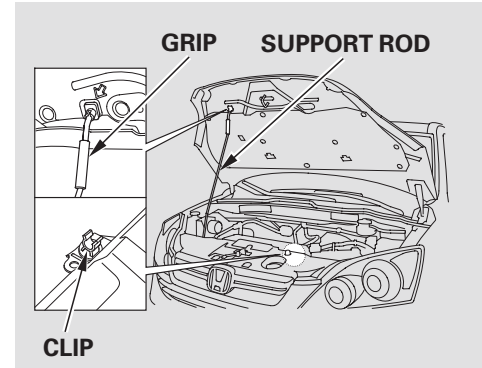


1. Park the vehicle, and set the parking brake. Pull the bonnet release handle under the lower corner of the dashboard. The bonnet will pop up slightly.



2. Put your fingers between the front edge of the bonnet and the front grille. The bonnet latch handle is above the "H" logo. Push this handle up to release the bonnet. Lift the bonnet.

If the bonnet latch handle moves stiffly, or if you can open the bonnet without lifting the handle, the mechanism should be cleaned and lubricated.



3. Holding the grip, pull the support rod out of its clip. Insert the end into the designated hole pointed by an arrow in the bonnet.

*CONTINUED*

# Service Station Procedures

To close the bonnet, lift it up slightly to remove the support rod from the hole. Put the support rod back into its holding clip. Lower the bonnet to about 30 cm (a foot) above the fender, then let it drop. Make sure it is securely latched.

## NOTICE

### *On Diesel models*

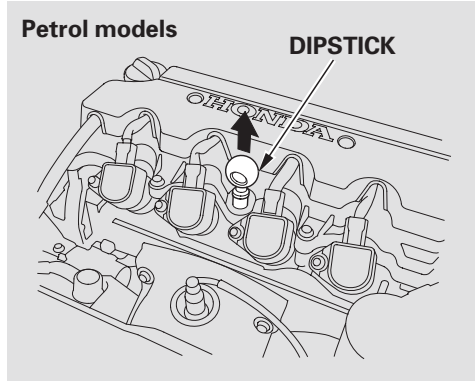
Do not press the engine cover forcibly. This may damage the engine cover and component parts.

## Oil Check

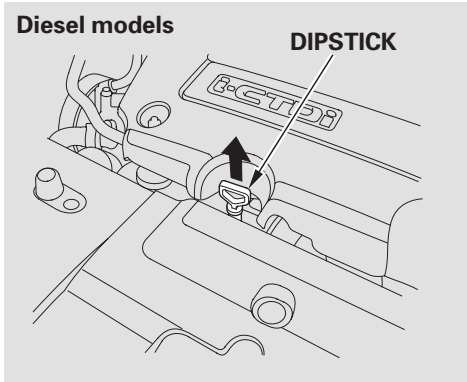
All engines consume oil as part of their normal operation, therefore, the engine oil level must be checked regularly, for example when refuelling. Always check the oil before a long journey.

The amount of oil consumed depends on how the vehicle is driven and the climatic and road conditions encountered. The rate of oil consumption can be up to 1 litre per 1,000 km/625 miles. Consumption is likely to be higher when the engine is new.

Make sure the engine is warmed up and the vehicle is parked on level ground. Turn off the engine and wait approximately 3 minutes before checking the oil level.

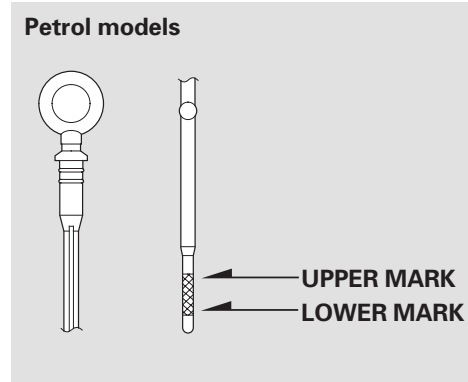


1. Remove the dipstick (orange handle).

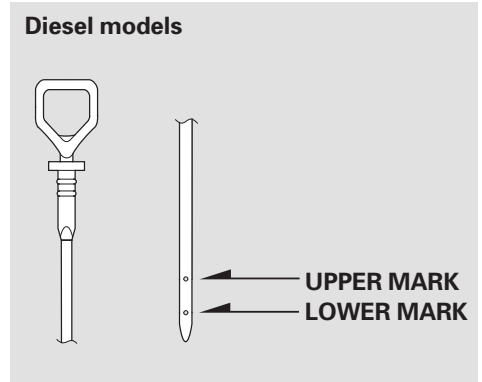


Remove the dipstick carefully, so you do not spill the oil. Spilled oil could damage components in the engine compartment.

2. Wipe off the dipstick with a clean cloth or paper towel.
3. Insert it all the way back in its tube.

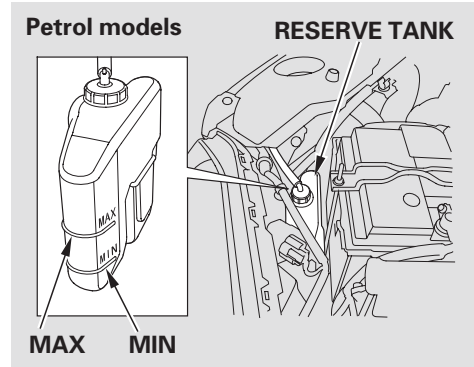


4. Remove the dipstick again, and check the level. It should be between the upper and lower marks.



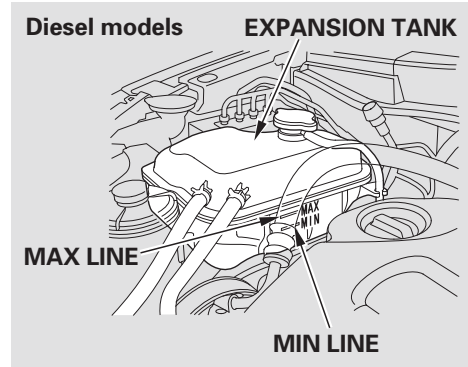
If it is near or below the lower mark, see **Adding Engine Oil** on page 410 on petrol models, 412 on diesel models.

## Engine Coolant Check



### *On petrol models*

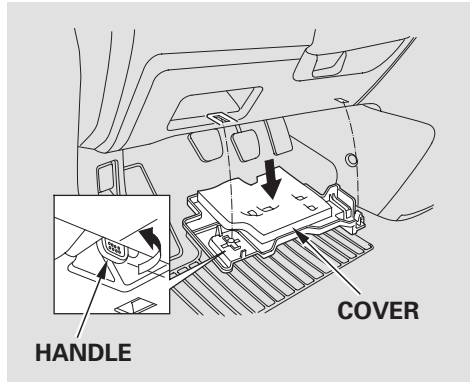
Look at the coolant level in the radiator reserve tank. Make sure it is between the MAX and MIN lines. If it is below the MIN line, see **Adding Engine Coolant** on page 414 for information on adding the proper coolant.



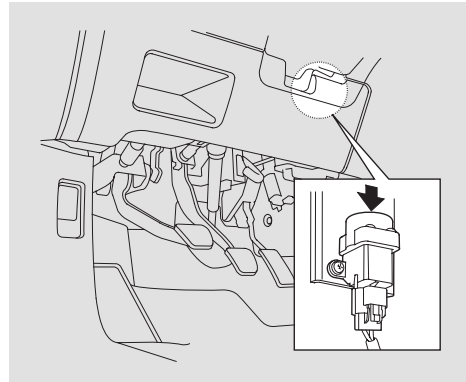
### *On Diesel models*

The coolant level in the expansion tank should be checked only when the engine and the cooling system are cold. Make sure it is between the MAX and MIN lines. If it is below the MIN line, see **Adding Engine Coolant** on page 416 .

Refer to **Owner's Maintenance Checks** on page 400 for information about checking other items on your vehicle.



The fuel cutoff switch is behind the instrument panel. To access the switch, turn the handle anticlockwise on the lower instrument panel, then remove the cover while releasing the tab. Extend your arm to the back of the instrument panel from the underside.



In a collision or sudden impact, this switch automatically cuts off the fuel supply to the engine.

After the switch has activated, it must be reset by pressing the button before the engine can be restarted.

## **⚠ WARNING**

**Leaking fuel can ignite or explode, causing you to be seriously or fatally injured.**

**Always check for fuel leaks before resetting the switch.**



# Fuel Economy

---

## Improving Fuel Economy

- Always maintain your vehicle according to the maintenance schedule. See **Owner's Maintenance Checks** (see page 400 ).

*For example*, an underinflated tyre causes more “rolling resistance,” which uses more fuel.

The build-up of snow or mud on your vehicle's underside adds weight and rolling resistance. Frequent cleaning helps your fuel mileage and reduces the chance of corrosion.

- Drive moderately. Rapid acceleration, abrupt cornering, and hard braking use more fuel.
- Always drive in the highest gear possible.
- Try to maintain a constant speed. Every time you slow down and speed up, your vehicle uses extra fuel. Use the cruise control (on some types) when appropriate.
- Combine several short trips into one.
- The air conditioning puts an extra load on the engine which makes it use more fuel. Use the fresh-air ventilation when possible.

Modifying your vehicle, or installing some non-Honda accessories, can make it unsafe. Before you make any modifications or add any accessories, be sure to read the following information.

## Accessories

Your dealer has genuine Honda accessories that allow you to personalize your vehicle. These accessories have been designed and approved for your vehicle.

Although non-Honda accessories may fit on your vehicle, they may not meet factory specifications, and could adversely affect your vehicle's handling and stability.

## WARNING

**Improper accessories or modifications can affect your vehicle's handling, stability, and performance, and cause a crash in which you can be hurt or killed.**

**Follow all instructions in this owner's manual regarding accessories and modifications.**

When properly installed, cellular phones, alarms, two-way radios, and low-powered audio systems should not interfere with your vehicle's computer controlled systems, such as your airbags and anti-lock brakes.

Before installing any accessory:

- Make sure the accessory does not obscure any lights, or interfere with proper vehicle operation or performance.
- Be sure electronic accessories do not overload electrical circuits (see page 513) or interfere with proper operation of your vehicle.
- Before installing any electronic accessory, have the installer contact your dealer for assistance. If possible, have your dealer inspect the final installation.
- Do not install accessories on the side pillars or across the rear windows as these may interfere with proper operation of the side curtain airbags.

## Modifying Your Vehicle

Removing parts from your vehicle, or replacing components with non-Honda components could seriously affect your vehicle's handling, stability, and reliability.

Some examples are:

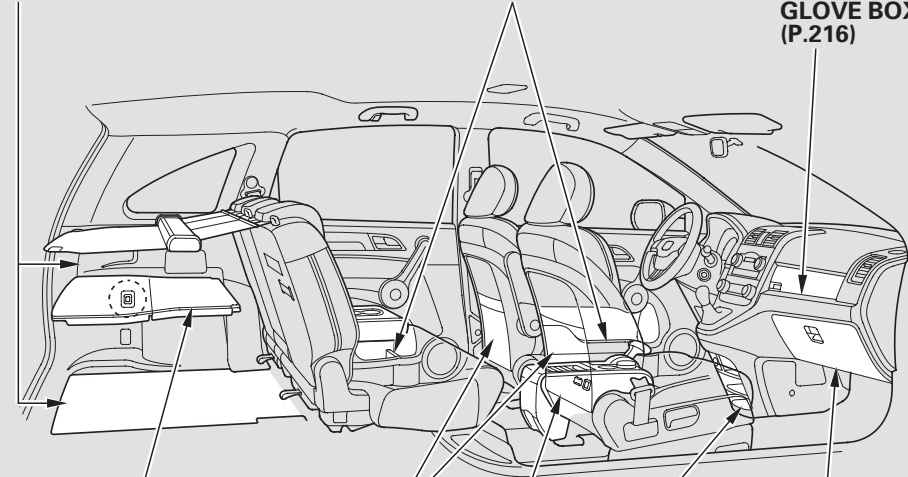
- Lowering your vehicle with a non-Honda suspension kit that significantly reduces ground clearance can allow the undercarriage to hit speed bumps or other raised objects, which could cause the airbags to deploy.
- Raising your vehicle with an aftermarket suspension kit can affect the handling and stability.
- Non-Honda wheels, because they are a universal design, can cause excessive stress on suspension components.

- Larger or smaller wheels and tyres can interfere with the operation of your vehicle's anti-lock brakes and other systems.
- Modifying your steering wheel or any other part of your vehicle's safety features can make the systems ineffective.

**LUGGAGE AREA**

**DOOR POCKETS**

**UPPER  
GLOVE BOX  
(P.216)**



**DUAL DECK LUGGAGE  
SHELF\* (P.205)**

**SEAT-BACK  
POCKETS**

**CENTRE POCKETS**

**LOWER  
GLOVE BOX  
(P.216)**

**CONSOLE COMPARTMENT  
(P.219)**

**\* : If equipped**

Your vehicle has several convenient storage areas:

- Upper glove box
- Lower glove box
- Door and seat-back pockets
- Luggage area, including the rear seats when folded up or down.
- Console compartment
- Centre pockets
- Upper and lower luggage areas with the dual deck luggage shelf (if equipped)
- Roof-rack (if installed)

However, carrying too much luggage, or improperly storing it, can affect your vehicle's handling, stability, stopping distance, and tyres, and make it unsafe. Before carrying any type of luggage, be sure to read the following pages.

# Carrying Luggage

---

## Load Limits

When you load luggage, the total weight of the vehicle, all passengers, luggage and towbar must not exceed the maximum permissible weight. The load for the front and rear axles also must not exceed the maximum permissible axle weight. Refer to page 527 for the maximum permissible weight and maximum permissible axle weight.

## **WARNING**

**Overloading or improper loading can affect handling and stability and cause a crash in which you can be hurt or killed.**

**Follow all load limits and other loading guidelines in this manual.**

## Carrying Items in the Passenger Compartment

- Store or secure all items that could be thrown around and hurt someone during a crash.
- Be sure items placed on the floor behind the front seats cannot roll under the seats and interfere with the driver's ability to operate the pedals, and proper operation of the seats. Do not stack items higher than the back of the front seats.
- Keep the lower glove box closed while driving. If it is open, a passenger could injure their knees during a crash or sudden stop.

- If you fold the rear seats up or down, tie down items that could be thrown about the vehicle during a crash or sudden stop. Also, keep all luggage below the bottom of the windows. If it is higher, it could interfere with the proper operation of the side curtain airbags.

Try to secure the items with rope or cord so they will not shift while you are driving. Do not stack items higher than the back of the front seats.

Refer to page 195 for folding rear seats.

*If equipped*

Do not use the dual deck luggage shelf with any rear seat folded up or down.

## Carrying Luggage in the Luggage Area or on a Roof Rack

- Distribute luggage evenly on the floor of the luggage area, placing the heaviest items on the bottom and as far forward as possible. Try to secure the items with rope or cord so they will not shift while you are driving.
- Do not place items on the tonneau cover (if equipped), or stack objects higher than the top of the back seat. They could block your view and be thrown about the vehicle during a crash or sudden stop.
- If you carry large items that prevent you from closing the tailgate, exhaust gas can enter the passenger area. To avoid the possibility of **carbon monoxide poisoning**, follow the instructions on page 72 .

- If you can carry any items on a roof rack, be sure the total weight of the rack and the items does not exceed the maximum allowable weight. Please contact your dealer for further information.

If you use an accessory roof rack, the roof rack weight limit may be lower. Refer to the information that came with your roof rack.

Concerning means of lashing and retaining devices offered on the accessory market, please contact your dealer.

# Carrying Luggage

## Carrying Luggage on the Dual Deck Luggage Shelf



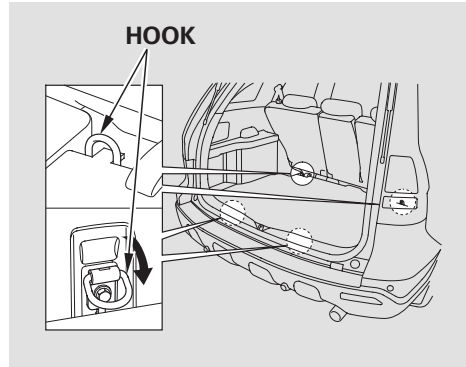
*On vehicles with dual deck luggage shelf*

Do not put any items on the dual deck luggage shelf that could block your view or be thrown around the vehicle during a crash.

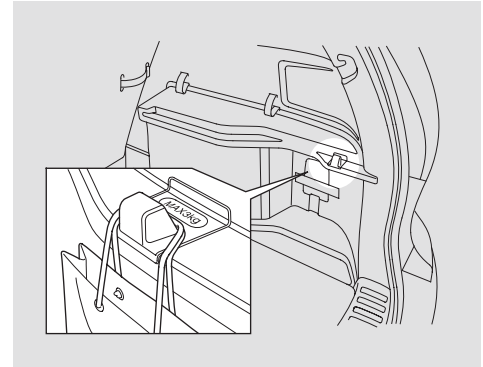
Do not use the dual deck luggage shelf if the rear seats are folded down.

Do not exceed the dual deck luggage shelf load limit of 10 kg.

## Luggage Hooks



To secure luggage, use the four floor hooks in the luggage area. Make sure all stored items are secured before driving.



*On some types*  
Your vehicle also has luggage hooks on side panel in the luggage area. They are designed to hold light items. Heavy objects may damage the hook. Make sure any items put on each hook weigh less than 3 kg (6.5 lbs).

## **Optional Separation Net**

The separation net can be used to hold back soft, lightweight items stored in the luggage area. Heavy items should be properly secured on the floor of the luggage area. The net may not prevent heavy items from being thrown forward in a crash or a sudden stop.





This section gives you tips on starting the engine under various conditions, and how to operate the automatic and manual transmissions. It also includes important information on parking your vehicle, the braking system, the vehicle stability assist (VSA) system, the collision mitigation brake system (CMBS), and facts you need if you are planning to tow a trailer.

Driving Guidelines.....	350
Preparing to Drive .....	351
Starting the Engine (Petrol models) .....	352
Starting the Engine (Diesel models).....	353
Manual Transmission.....	354
Automatic Transmission.....	358
Parking.....	364
Braking System.....	365
Anti-lock Brakes (ABS) .....	366
Collision Mitigation Brake System (CMBS).....	368
Vehicle Stability Assist (VSA) System.....	378
Driving in Bad Weather .....	380
Towing a Trailer .....	382
Trailer Stability Assist.....	390
Off-Road Guidelines .....	393

# Driving Guidelines

---

Your vehicle has higher ground clearance that allows you to travel over bumps, obstacles, and rough terrain. It also provides good visibility so you can anticipate problems earlier.

Because your vehicle rides higher off the ground, it has a high centre of gravity that can cause it to roll over if you make abrupt turns. Utility vehicles have a significantly higher roll over rate than other types of vehicles.

To prevent rollovers or loss of control:

- Take corners at slower speeds than you would with a passenger vehicle.
- Avoid sharp turns and abrupt manoeuvres whenever possible.

- Do not modify your vehicle in any way that would raise the centre of gravity.
- Do not carry heavy luggage on the roof.

Your vehicle is equipped with a four-wheel drive (4WD) system. When the system senses a loss of front-wheel traction, it automatically transfers some power to the rear wheels. This gives you better traction and mobility.

You still need to exercise the same care when accelerating, steering, and braking that you would in a two-wheel drive vehicle.

*See page 393 for off-road driving guidelines.*

You should do the following checks and adjustments before you drive your vehicle.

1. Make sure all windows, mirrors, and outside lights are clean and unobstructed. Remove frost, snow, or ice.
2. Check that the bonnet is fully closed.
3. Check that the tailgate is fully closed.
4. Visually check the tyres. If a tyre looks low, use a gauge to check its pressure.
5. Check that any items you may be carrying are stored properly or fastened down securely.
6. Check the seat adjustment (see pages 188 and 189 ).
7. Check the adjustment of the inside and outside mirrors (see page 212 ).
8. Check the steering wheel adjustment (see page 174 ).
9. Make sure the doors are securely closed.
10. Fasten your seat belt. Check that your passengers have fastened their seat belts (see page 19 ).
11. When you start the engine, check the gauges and indicators in the instrument panel (see page 78 ).

*On vehicles with multi-information display*

Check the symbol(s) on the multi-information display.

# Starting the Engine (Petrol models)

---

1. Apply the parking brake.
2. In cold weather, turn off all electrical accessories to reduce the drain on the battery.
3. *Manual transmission:*  
Push the clutch pedal down all the way and shift the transmission to neutral.  
  
*Automatic transmission:*  
Make sure the shift lever is in Park. Press on the brake pedal.
4. Without touching the accelerator pedal, turn the ignition key to the START (III) position. Do not hold the key in the START (III) position for more than 15 seconds at a time. If the engine does not start right away, pause for at least 10 seconds before trying again.

## NOTICE

The immobilizer system protects your vehicle from theft. If an improperly-coded key (or other device) is used, the engine's fuel system is disabled. See **Immobilizer System** on page 176 .

5. If the engine does not start within 15 seconds, or starts but stalls right away, repeat step 5 with the accelerator pedal pressed halfway down. If the engine starts, release pressure on the accelerator pedal so the engine does not race.
6. If the engine fails to start, press the accelerator pedal all the way down, and hold it there while starting to clear flooding. If the engine still does not start, return to step 5.

## NOTICE

The engine is harder to start in cold weather. Also, the thinner air found at altitudes above 2,400 meters (8,000 feet) adds to this problem.

If the outside temperature is below freezing, or if your vehicle has not been driven for several days, warm up the engine for a few minutes before driving (prohibited in Germany! § 30 StVO).

1. Apply the parking brake.
2. Turn off all electrical accessories to reduce the drain on the battery.
3. Push the clutch pedal down all the way and shift the transmission to neutral.
4. Turn the ignition key to the ON (II) position. Wait until the glow plugs indicator turns off.
5. Without touching the accelerator pedal, turn the ignition key to the START (III) position, and release the key as soon as the engine is running. If the engine does not start right away, do not hold the key in START (III) for more than 15 seconds at a time (20 seconds in cold weather). Pause for at least 20 seconds before trying again.

## NOTICE

The immobilizer system protects your vehicle from theft. If an improperly-coded key (or other device) is used, the engine's fuel system is disabled. See **Immobilizer System** on page 176 .

## Cold Climates

In very cold climates the battery charging and oil pressure indicators may take several seconds to go off. Similarly, engine cranking times will also increase.

## Warming Up

In the interests of fuel economy, it is advisable to start driving straight away, remembering that harsh acceleration or labouring the engine before the normal operating temperature has been reached can damage the engine.

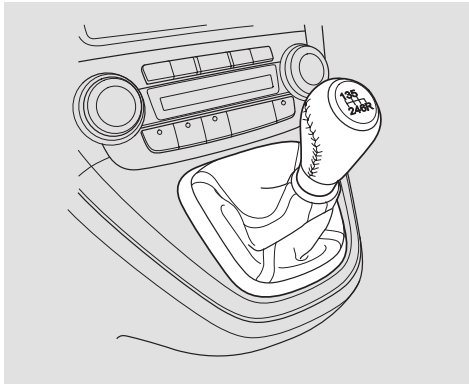
## NOTICE

The engine must not be run above fast idle speed until the oil pressure warning indicator goes off. This will ensure that the engine and turbocharger bearings are properly lubricated before being run at normal driving speeds.

## Ignition Switching Off

To avoid the possibility of damaging the turbocharger bearings through inadequate lubrication, ALWAYS allow the engine to idle for 10 seconds before turning off the engine.

# Manual Transmission



The manual transmission is synchronized in all forward gears for smooth operation. It has a lockout so you cannot accidentally shift from any forward gear to reverse while the vehicle is moving at a certain speed (see page 357).

When shifting up or down, make sure you push the clutch pedal down all the way, shift to the next gear, and let the pedal up gradually. When you are not shifting, do not rest your

foot on the clutch pedal. This can cause excessive clutch wear.

Come to a full stop before you shift into reverse. You can damage the transmission by trying to shift into reverse with the vehicle moving. Push down the clutch pedal, and pause for a few seconds before shifting into reverse, or shift into one of the forward gears for a moment. This stops the gears so they won't "grind."

When slowing down, you can get extra braking from the engine by shifting to a lower gear. This extra braking can help you maintain a safe speed and prevent your brakes from overheating while going down a steep hill. Before downshifting, make sure the engine speed will not go into the tachometer's red zone in the lower gear. Refer to the maximum allowable speeds charts.

## WARNING

**Rapid slowing or speeding-up can cause loss of control on slippery surfaces. If you crash, you can be injured.**

**Use extra care when driving on slippery surfaces.**

## NOTICE

Do not rest your hand on the shift lever while driving; Pressure transmitted from your hand may cause premature wear to gear selector mechanism.

### Recommended Shift Points

Drive in the highest gear that lets the engine run and accelerate smoothly. This will give you good fuel economy and effective emissions control. The following shift points are recommended:

#### *2.0 l engine model*

Shift up	Normal acceleration
1st to 2nd	15 km/h (9 mph)
2nd to 3rd	35 km/h (22 mph)
3rd to 4th	50 km/h (31 mph)
4th to 5th	75 km/h (47 mph)
5th to 6th	100 km/h (62 mph)

#### *2.2 l engine model (diesel)*

Shift up	Normal acceleration
1st to 2nd	15 km/h (9 mph)
2nd to 3rd	35 km/h (22 mph)
3rd to 4th	55 km/h (34 mph)
4th to 5th	70 km/h (43 mph)
5th to 6th	85 km/h (53 mph)



# Manual Transmission

## Maximum Allowable Speeds

The speeds in this table are the maximum allowable speeds in each gear. If you exceed these speeds, the engine speed will enter into the tachometer's red zone. If this occurs, you may feel the engine cut in and out. This is caused by a limiter in the engine's computer controls. The engine will run normally when you reduce the rpm below the red zone.

Before downshifting, make sure the vehicle will not exceed the maximum allowable speed specified by the chart for the lower gear to avoid engine damage.

### *2.0 l engine model*

Gear	Maximum allowable speeds
1st	45 km/h (28 mph)
2nd	88 km/h (55 mph)
3rd	136 km/h (85 mph)
4th	170 km/h (106 mph)
5th	190 km/h (118 mph)

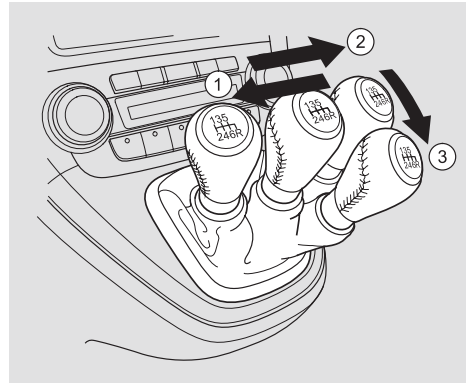
### *2.2 l engine model (diesel)*

Gear	Maximum allowable speeds* <sup>4</sup>
1st	40 km/h (24 mph)
2nd	77 km/h (48 mph)
3rd	119 km/h (74 mph)
4th	161 km/h (100 mph)
5th	202 km/h (125 mph)

\* 4 : The values shown are the speeds when the engine is at 4,500 rpm.

## Reverse Lockout

The manual transmission has lockout so you cannot accidentally shift from any forward gear to reverse while the vehicle is moving at a certain speed. If you cannot shift to reverse when the vehicle is stopped, do the following.



1. With the clutch pedal pressed, move the shift lever to the first/second gear side of the neutral gate, then shift to reverse.

2. If you are still unable to shift to reverse, apply the parking brake, and turn the ignition switch to the ACCESSORY (I) or the LOCK (0) position.

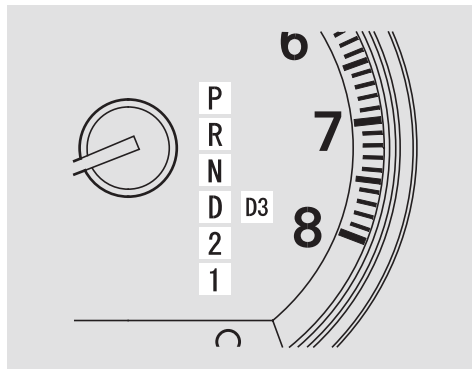
3. Press the clutch pedal, and shift to reverse.

4. With the clutch pedal still pressed, start the engine.

If you need to use this procedure to shift to reverse, your vehicle may be developing a problem. Have it checked by your dealer.

# Automatic Transmission

## Shift Lever Position Indicators




These indicators on the instrument panel show which position the shift lever is in.

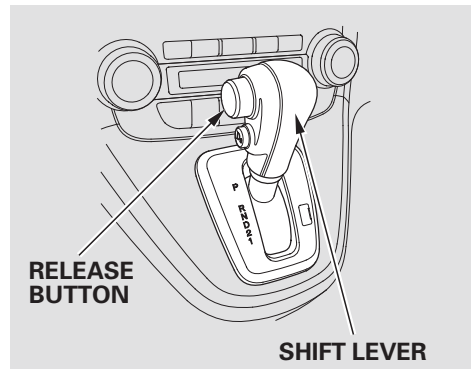
The “D” indicator comes on for a few seconds when you turn the ignition switch to the ON (II) position. If it flashes while driving (in any shift position), it indicates a possible problem in the transmission.

If the malfunction indicator lamp comes on along with the “D” indicator, there is a problem with the automatic transmission control system. Avoid rapid acceleration, and have the transmission checked by your dealer as soon as possible.

*On vehicles with multi-information display*

When the “D” indicator warns of a possible problem with the transmission, you will see the symbol “,” or, the symbol with a “CHECK SYSTEM” message.

## Shifting



To shift from any position, press firmly on the brake pedal and press the release button on the side of the shift lever. You cannot shift out of Park when the ignition switch is in the LOCK (0) or ACCESSORY (I) position.

To shift from:	Do this:
P to R	Press the brake pedal and press the shift lever release button.
R to P N to R D to 2 2 to 1	Press the shift lever release button.
1 to 2 2 to D D to N N to D R to N	Move the shift lever.
D <sub>3</sub> to D D to D <sub>3</sub>	Press the D <sub>3</sub> button.

**Park (P)** – This position mechanically locks the transmission. Use Park whenever you are turning off or starting the engine. To shift out of Park, you must press on the brake pedal and have your foot off the accelerator pedal. Press the release button on the side of the shift lever to move it.

If you have done all of the above and still cannot move the lever out of Park, see **Shift Lock Release** on page 363 .

To avoid transmission damage, come to a complete stop before shifting into Park. You must also press the release button to shift into Park. The shift lever must be in Park before you can remove the key from the ignition switch.

**Reverse (R)** – Press the brake pedal and press the release button on the side of the shift lever to shift from Park to reverse. To shift from reverse to neutral, come to a complete stop and then shift. Press the release button before shifting into reverse from neutral.

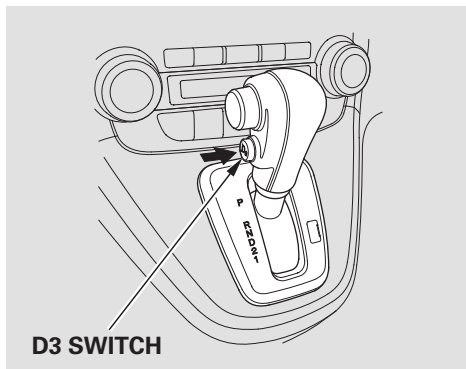
*CONTINUED*

# Automatic Transmission

**Neutral (N)** — Use neutral if you need to restart a stalled engine, or if it is necessary to stop briefly with the engine idling. Shift to the Park position if you need to leave your vehicle for any reason. Press on the brake pedal when you are moving the shift lever from neutral to another gear.

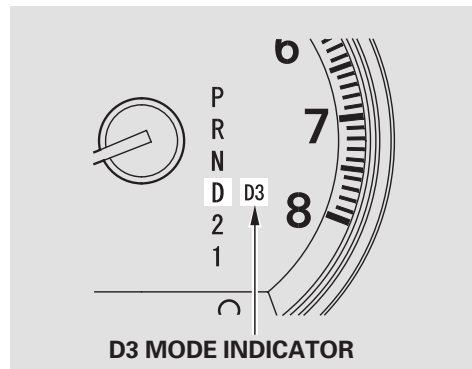
**Drive (D)** — Use this position for your normal driving. The transmission automatically selects a suitable gear (1 through 5) for your speed and acceleration. You may notice the transmission shifting up at higher engine speeds when the engine is cold. This helps the engine warm up faster.

## *D3 Mode*



Press the D3 switch on the side of the shift lever to turn this mode on or off; the D3 mode indicator comes on whenever the D3 mode is selected.

D3 mode can be turned on or off only when the ignition switch is in the ON (II) position and the shift lever is in the D position.



When the D3 mode is on, the transmission selects only the first three gears. Use D3 mode when towing a trailer, or to provide engine braking when going down a steep hill. D3 mode can also keep the transmission from cycling between third and fourth gears in stop-and-go driving.

Shifting out from the D position will cancel the D3 mode, and the D3 indicator will go out. Selecting the D position again will resume the D3 mode and the indicator comes on.

Turning the ignition switch to the LOCK (0) position turns this mode off. When you restart the engine, select the D position and press the D3 mode switch again to use this mode.

The D3 mode indicator also comes on for a few seconds when you turn the ignition switch to the ON (II) position.

**Second (2)** – To shift to second, press the release button on the side of the shift lever. This position locks the transmission in second gear. It does not downshift to first gear when you come to a stop.

Use second gear:

- For more power when climbing.
- To increase engine braking when going down steep hills.
- For starting out on a slippery surface or in deep snow.
- To help reduce wheel spin.
- When driving downhill with a trailer.

**First (1)** – To shift from second to first, press the release button on the side of the shift lever. This position locks the transmission in first gear. By upshifting and downshifting through 1, 2, D3, and D, you can operate the transmission much like a manual transmission without a clutch pedal.

If you shift into first position when the vehicle speed is above 50 km/h (31 mph), the transmission shifts into second gear first to avoid sudden engine braking.

# Automatic Transmission

---

## Maximum Allowable Speeds

The speeds in this table are the maximum allowable speeds in each position. If you exceed these speeds, the engine speed will enter into the tachometer's red zone. If this occurs, you will feel the engine cut in and out. This is caused by a limiter in the engine's computer controls. The engine will run normally when you reduce the rpm below the red zone.

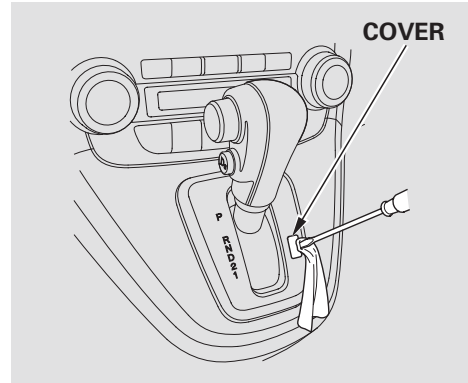
Before downshifting, make sure the vehicle will not exceed the maximum allowable speed specified by the chart for the lower gear to avoid engine damage.

Position	Maximum allowable speeds
1	63 km/h (39 mph)
2	109 km/h (68 mph)
D3	167 km/h (104 mph)

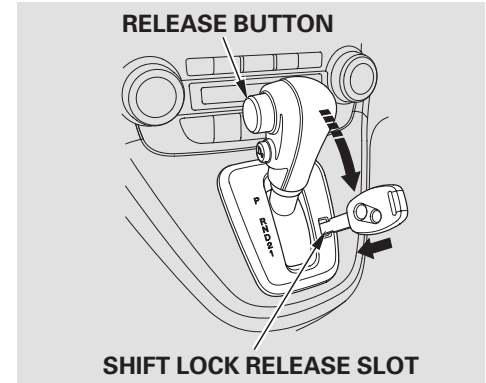
## Shift Lock Release

This allows you to move the shift lever out of Park if the normal method of pushing on the brake pedal and pressing the release button does not work.

1. Set the parking brake.
2. Remove the key from the ignition switch.
3. Put a cloth on the edge of the shift lock release slot cover. Using a small flat-tipped screwdriver or metal fingernail file, carefully pry on the edge of the cover to remove it.



4. Insert the key in the shift lock release slot.
5. Push down on the key while you press the release button on the shift lever and move the shift lever out of Park to neutral.



6. Remove the key from the shift lock release slot, then reinstall the cover. Make sure the notch on the cover is on the passenger's side. Press the brake pedal, and restart the engine.

If you need to use the shift lock release, it means your vehicle is developing a problem. Have the vehicle checked by your dealer.



# Parking

---

Always use the parking brake when you park your vehicle. Make sure the parking brake is set firmly, or your vehicle may roll if it is parked on an incline.

If your vehicle has an automatic transmission, set the parking brake before you put the transmission in Park. This keeps the vehicle from moving and putting pressure on the parking mechanism in the transmission.

## Parking Tips

- Make sure the windows are closed.
- Turn off the lights.
- Place any packages, valuables, etc., in the boot or take them with you.
- Lock the doors.

### *On vehicles with security system*

Check the indicator on the instrument panel to verify that the security system is set.

- Never park over dry leaves, tall grass, or other flammable materials. The hot three way catalytic converter could cause these materials to catch on fire.

- If the vehicle is facing uphill, turn the front wheels away from the curb. If you have a manual transmission, put it in first gear.
- If the vehicle is facing downhill, turn the front wheels toward the curb. If you have a manual transmission, put it in reverse gear.
- Make sure the parking brake is fully released before driving away. Driving with the parking brake partially set can overheat or damage the rear brakes.

Your vehicle is equipped with disc brakes at all four wheels. A power assist helps reduce the effort needed on the brake pedal. The anti-lock brake system (ABS) helps you retain steering control when braking very hard.

The brake pedal assist function increases the force you apply to the brake pedal during an emergency stop.

### *On vehicles with collision mitigation brake system*

When the brake pedal assist is activated, the e-pretensioners tighten the front seat belts (see page 28).

Resting your foot on the pedal keeps the brakes applied lightly, builds up heat, increases wear, and reduces their effectiveness. It also keeps your brake lights on all the time, confusing drivers behind you.

Constant application of the brakes when going down a long hill builds up heat and reduces their effectiveness. Use the engine to assist the brakes by taking your foot off the accelerator and downshifting to a lower gear.

Check the brakes after driving through deep water. Apply the brakes moderately to see if they feel normal. If not, apply them gently and frequently until they do. Be extra cautious in your driving.

### **Braking System Design**

The hydraulic system that operates the brakes has two separate circuits. Each circuit works diagonally across the vehicle (the left-front brake is connected with the right-rear brake, etc.). If one circuit should develop a problem, you will still have braking at two wheels.

### **Brake Wear Indicators**

All four brakes have audible brake wear indicators.

If the brake pads need replacing, you will hear a distinctive, metallic screeching sound when you apply the brake pedal. If you do not have the brake pads replaced, they will screech all the time. It is normal for the brakes to occasionally squeal or squeak when you apply them.

# Anti-lock Brakes (ABS)

---

The anti-lock brake system (ABS) helps prevent the wheels from locking up, and helps you retain steering control by pumping the brakes rapidly, much faster than a person can do it.

The electronic brake distribution (EBD) system, which is part of the ABS, also balances the front-to-rear braking distribution according to vehicle loading.

*You should never pump the brake pedal.* Let the ABS work for you by always keeping firm, steady pressure on the brake pedal. This is sometimes referred to as “stomp and steer.”

You will feel a pulsation in the brake pedal when the ABS activates, and you may hear some noise. This is normal: it is the ABS rapidly pumping the brakes. On dry road, you will need to press on the brake pedal very hard before the ABS activates. However, you may feel the ABS activate immediately if you are trying to stop on snow or ice.




## ABS Indicator

If the ABS indicator comes on, the anti-lock function of the braking system has shut down. The brakes still work like a conventional system, but without anti-lock. You should have your dealer inspect your vehicle as soon as possible.

If the ABS indicator comes on while driving, test the brakes as instructed on page 512 .

*On vehicles with multi-information display*

You will also see the symbol “  ” or this symbol with a “CHECK SYSTEM” message on the multi-information display.

If the ABS indicator and the brake system indicator come on together, and the parking brake is fully released, the EBD system may also be shut down.

Test your brakes as instructed on page 512 . If the brakes feel normal, drive slowly and have your vehicle repaired by your dealer as soon as possible. Avoid sudden hard braking which could cause the rear wheels to lock up and possibly lead to a loss of control.

The VSA indicator will come on along with the ABS indicator.

**Important Safety Reminders**  
**ABS does not reduce the time or distance it takes to stop the vehicle.** It only helps with steering control during braking.

**ABS will not prevent a skid that results from changing direction abruptly,** such as trying to take a corner too fast or making a sudden lane change. Always drive at a safe speed for the road and weather conditions.

**ABS cannot prevent the loss of stability.** Always steer moderately when you are braking hard. Severe or sharp steering wheel movement can still cause your vehicle to veer into oncoming traffic or off the road.

**A vehicle with ABS may require a longer distance to stop** on loose or uneven surfaces, such as gravel or snow, than a vehicle without anti-lock.

# Collision Mitigation Brake System (CMBS)

*On vehicle with the Adaptive Cruise Control System*

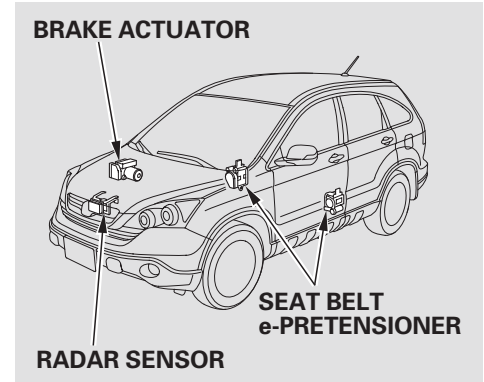
## Overview

The collision mitigation brake system (CMBS) can assist you when there is a possibility of your vehicle hitting the vehicle in front of you. It is designed to reduce the speed of your vehicle before an unavoidable collision occurs and, if possible, to alert you to a potential collision while there is time to prevent it. Here is a brief description of what the CMBS can do:

- When your speed is above 15 km/h (10 mph), the CMBS radar sensor in the front grille can sense a vehicle ahead of you. When your vehicle gets too close to the vehicle ahead of you, the system may activate a warning beep, causing automatic application of the brakes, and causing the e-pretensioners to tighten the front seat belts (see page 28).

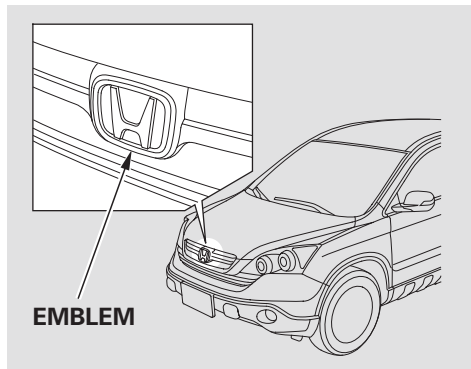
- The CMBS does not activate if the speed difference between your vehicle and the vehicle ahead of you is less than 15 km/h (10 mph). CMBS may also not activate if you turn the steering wheel to avoid the collision.

When the CMBS activates, the brake lights also come on.



The CMBS consists of a radar sensor in the front grille, a brake actuator in the engine compartment, an indicator on the instrument panel, seat belt e-pretensioners on the front seats, and an on/off switch on the dashboard.

## Radar Sensor



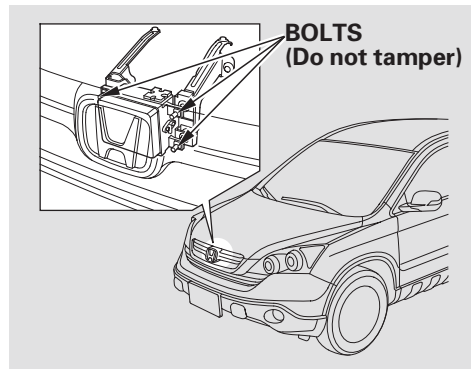
The radar sensor is located behind the emblem in the front grille. If the emblem is covered with mud, dirt, dead leaves, wet snow, etc., or if you put a sticker on it, the CMBS will automatically shut off, and the CMBS indicator on the instrument panel will come on (see page 93 ).

## CHECK CMBS RADAR SENSOR SYMBOL



You will also see the symbol above and the symbol “**CMBS**,” or this symbol with a “CHECK SYSTEM” message on the multi-information display.

Always keep the emblem clean. If it gets dirty, clean it with water or a mild detergent. Never use chemical solvents or polishing powder.



There are three bolts on the sides of the radar sensor. Do not tamper with these bolts, or you may cause the system to malfunction.

*CONTINUED*


# Collision Mitigation Brake System (CMBS)

---

Do not allow anything to impact the radar sensor or the emblem. If either of these parts receives a strong impact, turn off the system by pressing the CMBS off switch, and have your vehicle checked by a dealer. If the front grille ever needs to be repaired, consult a dealer first.

If the front emblem or the radar sensor ever needs to be removed, take your vehicle to a dealer.

## NOTICE

When the CMBS is on, the radar sensor constantly scans for vehicles ahead of you. This means that driving on a road with a few or no vehicles could cause the symbol “” to appear on the multi-information display. This is normal and not a cause for concern.

The radar sensor may not always scan as intended. Here are two examples:

- Your vehicle is tilted because of a heavy load in the rear or from modifications to the suspension. Do not overload your vehicle (see Carrying Luggage on page 343 ), and do not make any modifications to the suspension (see Accessories and Modifications on page 341 ).
- The tyres are not correctly maintained. Always make sure the tyre pressures are correct (see page 450 ), and that the tyres are the correct size and in good condition (see Tyres on page 450 ).

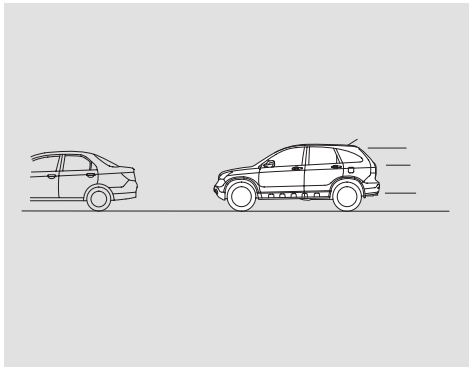
(EU models)

EC Directives

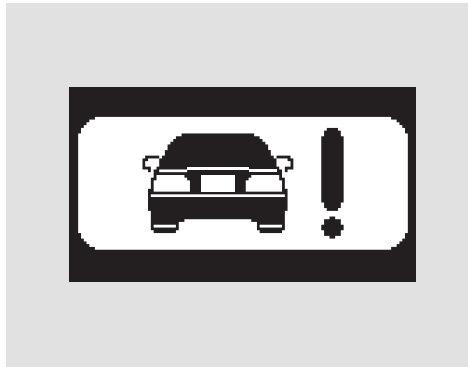
This radar sensor system complies with the R & TTE (Radio equipment and Telecommunications Terminal Equipment and the mutual recognition of their conformity) Directives.



## Collision Alarm

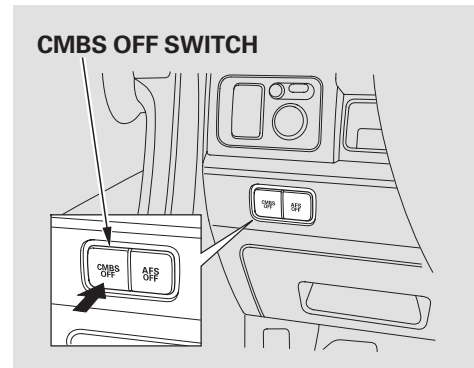


If the system senses a likely collision with a vehicle or object ahead of you, it alerts you with an audible and a visual alarm.



The audible alarm is a constant beeping sound; the visual alert is an amber coloured symbol as shown above or a “BRAKE” message that flashes on the multi-information display. If either of the alarms comes on, take the appropriate action to prevent a collision (apply the brakes, change lanes, etc.).

## CMBS OFF Switch



To turn the CMBS off, press and hold the CMBS off switch under the driver's side vent until you hear a beep. The CMBS indicator on the instrument panel comes on to remind you, and a CMBS OFF message appears on the multi-information display. To turn the system back on, press and hold the switch again until you hear a beep.

*CONTINUED*




# Collision Mitigation Brake System (CMBS)

---

When you turn the ignition switch to the ON (II) position, the CMBS is turned on if it was on previously.

If you turn it off, by pressing the CMBS off switch, the CMBS indicator comes on and stays on to remind you that the CMBS is deactivated.

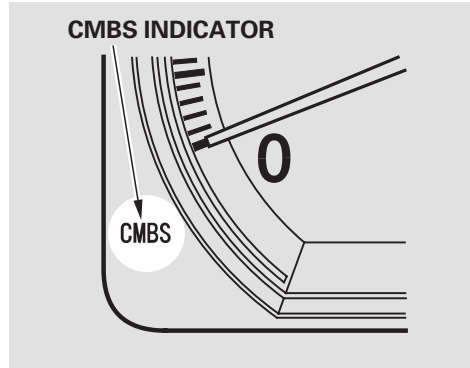
## Automatic Shut Off

Any of the conditions below can cause the CMBS to shut off. When the system shuts off, the CMBS indicator in the instrument panel comes on, and the symbol “” or this symbol with a “CHECK SYSTEM” message appears on the multi-information display for about 5 seconds.

- An abnormal tyre condition is detected (wrong tyre size, flat tyre, etc.).
- Extended off-road or mountainous driving.
- Driving your vehicle with the parking brake applied.
- Driving your vehicle in bad weather (rain, fog, snow, etc.).
- A dirty emblem on the front grille.

The CMBS will automatically reset when these conditions are improved.

## CMBS Indicator



This indicator comes on for several seconds when you turn the ignition switch to the ON (II) position. It also comes on and stays on when you turn the CMBS off by pressing the CMBS OFF switch.

To turn the CMBS back on, make sure the vehicle is stopped and the ignition switch is in the ON (II) position, then press the CMBS OFF switch until you hear a beep.

The CMBS indicator normally comes on under these conditions:

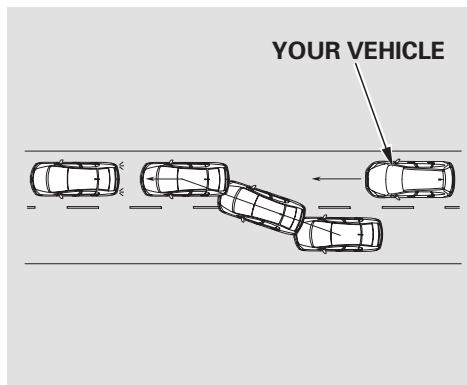
- When you manually turn off the system. This condition will be kept until you turn on the CMBS by pressing the switch.
  - When the system shuts off automatically.
  - When you drive in bad weather (rain, snow, fog, etc.).
  - If anything covers the front grille (dirt, mud, dry leaves, wet snow, etc.).
- When the VSA system indicator comes on (see page 378 ).
  - When you turn the ignition switch to the ON (II) position, the CMBS indicator should come on for a few seconds, then go off. If the indicator comes on at any other time and the symbol “**CMBS**” or this symbol with a “CHECK SYSTEM” message appears on the multi-information display, there is a problem with the CMBS. You can still drive your vehicle, but CMBS will not be operating. Have your vehicle checked by a dealer.

# Collision Mitigation Brake System (CMBS)

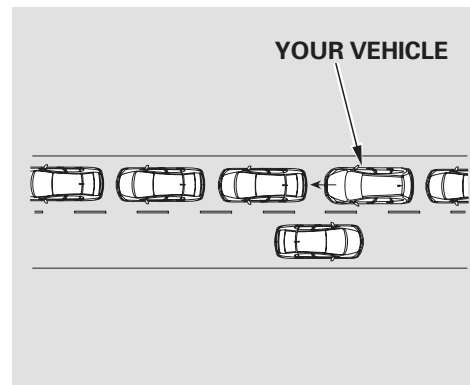
## Limitations

The CMBS may not activate under some conditions. Here are a few examples:

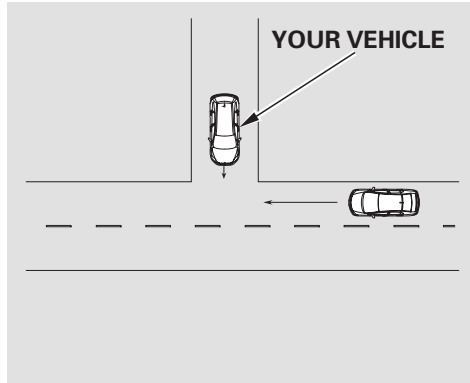
- The distance between your vehicle and the vehicle ahead of you is too short.
- A vehicle cuts in front of you at a slow speed.



- A vehicle cuts in front of you and brakes suddenly.
- When you accelerate rapidly and approach the vehicle ahead of you at high speed.
- Immediately after you drive off.



- Driving in heavy, stop-and-go traffic.
- The vehicle ahead of you is a motorcycle or other small vehicle.



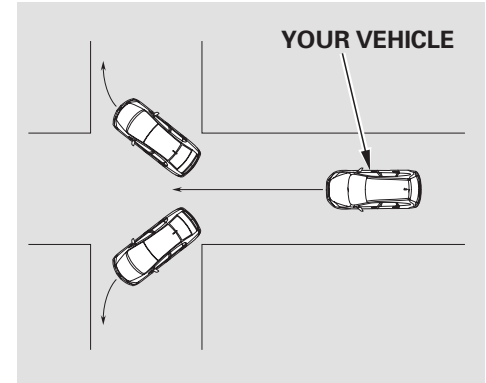
- A vehicle suddenly crosses in front of you.

## NOTICE

The CMBS is not designed to detect pedestrians.

Even with little or no chance of a collision, the CMBS may activate under these conditions:

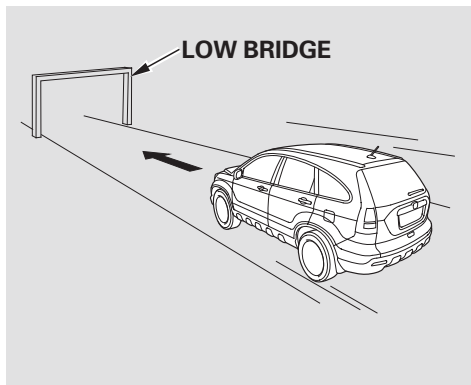
- When you change lanes quickly, then overtake the vehicle ahead of you.



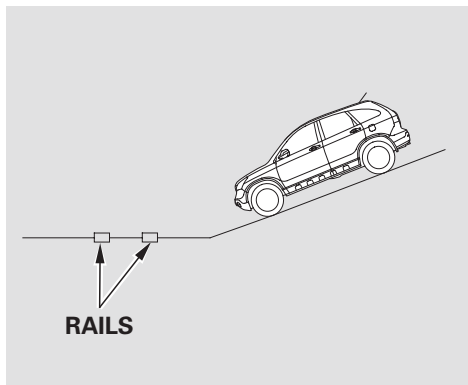
- When you approach or pass a vehicle ahead of you that is turning left or right in an intersection.

*CONTINUED*

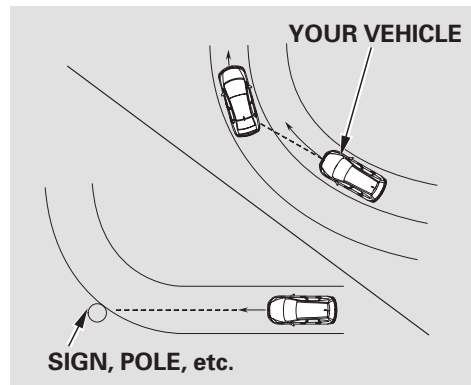
# Collision Mitigation Brake System (CMBS)



- When you pass a low bridge at high speed.
- When you go over a sharp-edged speed bump at high speed.
- When you go over areas of construction on the road surface.



- When you approach train tracks at the bottom of a hill and you do not apply the brakes.



Because of the road condition (curved, winding, etc.) or the state of your vehicle (turning angle, lane position, etc.), CMBS can sometimes mistake a stationary object (light pole, traffic sign, etc.) as a vehicle ahead of you and temporarily operate. This is normal.

## **Important Safety Reminders**

The main purpose of the CMBS is to reduce the severity of injuries caused by an unavoidable collision. While the CMBS may help to alert you and minimize the severity of a collision, it may not activate in every dangerous situation.

Even with the CMBS, it is still your responsibility to operate the brake pedal, the clutch pedal and steering wheel appropriately, according to the driving conditions.

# Vehicle Stability Assist (VSA) System

---

The vehicle stability assist (VSA) system helps to stabilize the vehicle during cornering if the vehicle turns more or less than desired. It also assists you in maintaining traction while accelerating on loose or slippery road surfaces. It does this by regulating the engine's output and by selectively applying the brakes.

When VSA activates, you may notice that the engine does not respond to the accelerator in the same way it does at other times. There may also be some unusual noise from the modulator. You will also see the VSA activation indicator blink.

The VSA system cannot enhance the vehicle's driving stability in all situations and does not control your vehicle's entire braking system. It is still your responsibility to drive and corner at reasonable speeds and to leave a sufficient margin of safety.



## VSA Activation Indicator

When VSA activates, you will see the VSA Activation indicator blink.



## VSA System Indicator

The VSA system indicator (see page 81) comes on and stays on when there is a problem with the VSA system. The VSA activation indicator will also come on.

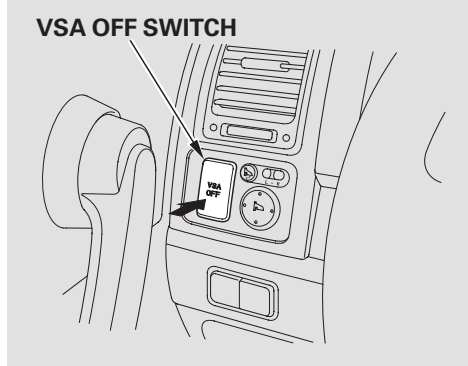
If the VSA system indicator comes on while driving, pull to the side of the road when it is safe, and turn off the engine. Reset the system by restarting the engine. If the VSA system indicator stays, or comes back on while driving, have the VSA system inspected by your dealer.

If the indicator does not come on when the ignition switch is turned to the ON (II) position, there may be a problem with the VSA system. Have your dealer inspect your vehicle as soon as possible.

When the VSA system indicator comes on, you will also see the symbol “**VSA**” or this symbol with a “CHECK SYSTEM” message on the multi-information display.

Without VSA, your vehicle will have normal braking and cornering ability, but it will not have VSA traction and stability enhancement.

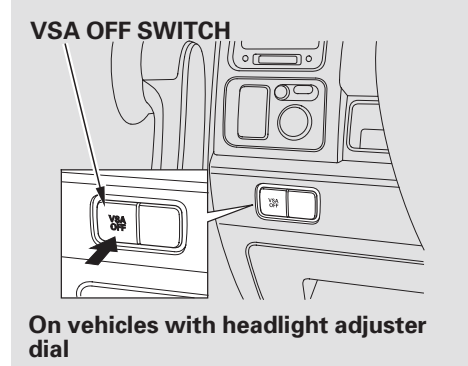
## VSA Off Switch



This switch is under the driver's side vent. To turn the VSA system on and off, press and hold it until you hear a beep.

When VSA is off, the VSA activation indicator comes on as a reminder. Press and hold the switch again turns the system back on.

VSA is turned on every time you start the engine, even if you



**On vehicles with headlight adjuster dial**

turned it off the last time you drove the vehicle.

In certain unusual conditions when your vehicle gets stuck in shallow mud or fresh snow, it may be easier to free it with the VSA temporarily switched off. When the VSA system is off, the traction control system is also off. You should only attempt to free your vehicle with the VSA off if you are not able to free it when the

VSA is on.

Immediately after freeing your vehicle, be sure to switch the VSA on again. We do not recommend driving your vehicle with the VSA and traction control systems switched off.

## VSA and Tyre Sizes

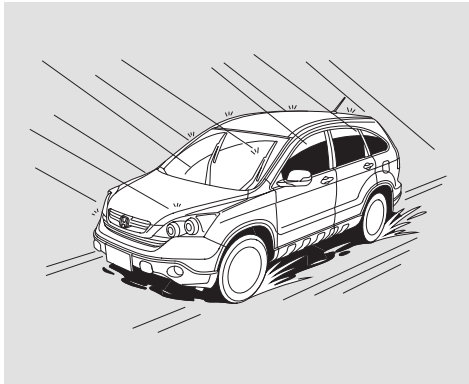
Driving with varying tyre or wheel sizes may cause the VSA to malfunction. When replacing tyres, make sure they are of the same size and type as your original tyres (see page 454 ).

If you install winter tyres, make sure they are the same size as those that were originally supplied with your vehicle. Exercise the same caution during winter driving as you would if your vehicle was not equipped with VSA.



# Driving in Bad Weather

---



Rain, fog, and snow conditions require a different driving technique because of reduced traction and visibility. Keep your vehicle well-maintained and exercise greater caution when you need to drive in bad weather. The cruise control (on some types) should not be used in these conditions.

**Driving Technique** — Always drive slower than you would in dry weather. It takes your vehicle longer to react, even in conditions that may seem just barely damp. Apply smooth, even pressure to all the controls. Abrupt steering wheel movements or sudden, hard application of the brakes can cause loss of control in wet weather. Be extra cautious for the first few kilometers (miles) of driving while you adjust to the change in driving conditions. This is especially true in snow. A person can forget some snow-driving techniques during the summer months. Practice is needed to relearn those skills.

Exercise extra caution when driving in rain after a long dry spell. After months of dry weather, the first rains bring oil to the surface of the roadway, making it slippery.

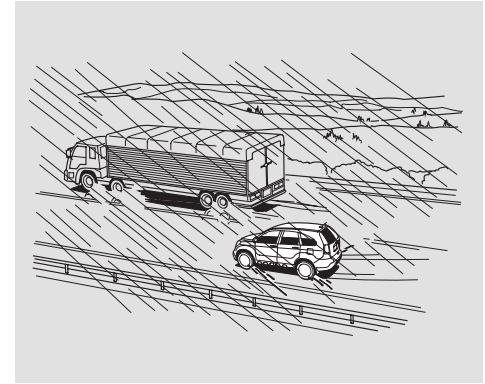
**Visibility** — Being able to see clearly in all directions and being visible to other drivers are important in all weather conditions. This is more difficult in bad weather. To be seen more clearly during daylight hours, turn on your headlights.

Inspect your windscreen wipers and washers frequently. Keep the windscreen washer reservoir full of the proper fluid. Have the windscreen wiper blades replaced if they start to streak the windscreen or leave parts unwiped. Use the demister and air conditioning to keep the windows from fogging up on the inside (see pages 234 and 241 ).

**Traction** — Check your tyres frequently for wear and proper pressure. Both are important in preventing “aquaplaning” (loss of traction on a wet surface). In the winter, mount snow tyres on all four wheels for the best handling.

Watch road conditions carefully, they can change from moment to moment. Wet leaves can be as slippery as ice. “Clear” roads can have patches of ice. Driving conditions can be very hazardous when the outside temperature is near freezing. The road surface can become covered with areas of water puddles mixed with areas of ice, so your traction can change without warning.

Be careful when downshifting. If traction is low, you can lock up the drive wheels for a moment and cause a skid.



Be very cautious when passing, or being passed by other vehicles. The spray from large vehicles reduces your visibility, and the wind buffeting can cause you to lose control.

**CAUTION:** *Do not drive on the road where water is deep. Driving through deep water will cause damage to the engine and electrical equipment and the vehicle will break down.*

# Towing a Trailer

Your vehicle has been designed primarily to carry passengers and their luggage. You can also use it to tow a trailer if you carefully observe the load limits, use the proper equipment, and follow the guidelines in this section.

Your vehicle is equipped with a trailer stability assist to help stabilize the vehicle/trailer combination by reducing the vehicle speed. For more information, see page 390 .

## ***Break-In Period***

Avoid towing a trailer during your vehicle's first 1,000 km (625 miles) (see page 332 ).

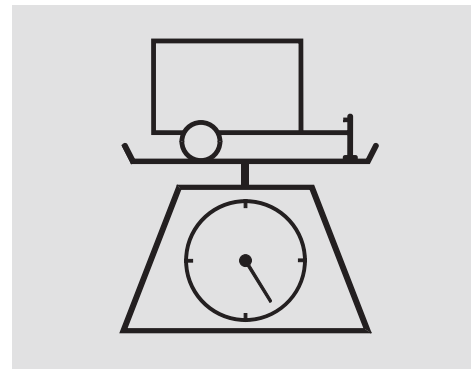
Be sure to read the *Off-Road Guidelines* section on page 393 if you plan to tow off paved surfaces.

## **⚠ WARNING**

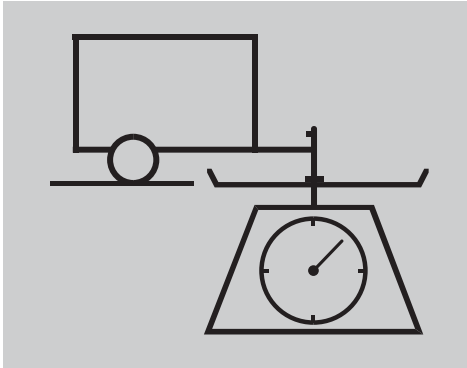
**Exceeding any load limit or improperly loading your vehicle and trailer can cause a crash in which you can be seriously hurt or killed.**

**Check the loading of your vehicle and trailer carefully before starting to drive.**

## **Load Limits**



- The total weight of the trailer and towbar (with/without brakes) plus its luggage must not exceed the maximum towing weight. See page 527 .



- The trailer nose load should never exceed 100 kg (220 lbs). This is the amount of weight the trailer puts on the towbar when it is fully-loaded. As a rule of thumb for trailer weights of less than 1,000 kg (2,200 lbs), the trailer nose load should be 10 percent of the total trailer package.
  - For example, if the trailer and its load weigh 225 kg (500 lbs), the trailer nose load should be 22.5 kg (50 lbs). Adjust trailer's luggage to change the trailer nose load. Start by putting approximately 60 percent of the luggage toward the front and 40 percent toward the rear. With a trailer package of more than 1,000 kg (2,200 lbs), you may need to adjust the luggage weight toward the rear. Never load the trailer so the back is heavier than the front. This takes weight off your vehicle's rear axle and reduces traction.
  - The maximum permissible weight must not exceed the specified limit as shown on page 526.
  - The maximum permissible weight is total weight of the vehicle, driver, passengers, luggage and towbar.
  - The maximum towing weight must not exceed the specified limit as shown on page 527.
- This weight will be estimated on normal driving below 1,000 meters elevation.
- If you tow a trailer in mountainous conditions, remember to reduce 10 % of the combined vehicle and trailer weights from the maximum towing weight for every 1,000 meters of elevation.
- The combined vehicle and trailer weights are the maximum permissible weight and trailer weight with everything in and on the trailer.

*CONTINUED*

# Towing a Trailer

---

- Please consider that the installation of optionals (and trailer nose load when towing a trailer) will reduce the loading capacity.

Towing a load that is too heavy can seriously affect your vehicle's handling and performance. It can also damage the engine and drivetrain.

## Checking Loads

The best way to confirm that vehicle and trailer weights are within limits is to have them checked at a public scale.

Using a suitable scale or a special trailer nose load gauge, check the total weight, the weight at each axle and the trailer nose load the first time you set up a towing combination (a fully-loaded vehicle and trailer), then recheck the loads whenever the conditions change.

## Towing Equipment and Accessories

Towing can require a variety of equipment, depending on the size of your trailer, how it will be used, how much load you are towing, and where you tow.

Discuss your needs with your trailer sales or rental agency, and follow the guidelines in this section. Also make sure that all equipment is properly installed and maintained, and that it meets the country's regulations where you are driving.

## *Towbars*

Any towbar used on your vehicle must be properly bolted to the underbody.

Refer to page 526 for the towbar mounting points.

## *Safety Chains*

Always use safety chains when you tow a trailer. Make sure the chains are secured to the trailer and towbar, and that they cross under the trailer nose and can catch the trailer if it becomes unhitched. Leave enough slack to allow the trailer to turn corners easily, but do not let the chains drag on the ground.

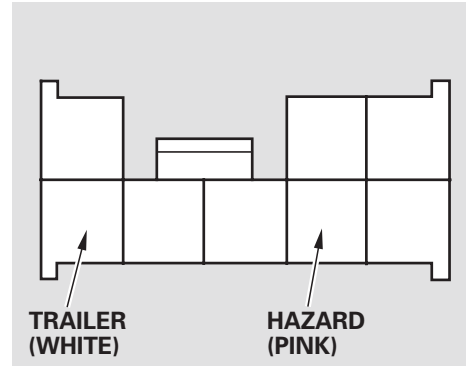
## **Trailer Brakes**

If you are thinking of getting a trailer that has brakes, be sure they are electronically actuated. Do not attempt to tap into your vehicle's hydraulic system. No matter how successful it may seem, any attempt to attach trailer brakes to your vehicle's hydraulic system will lower braking effectiveness and create a potential hazard.

See your trailer dealer or rental agency for more information on installing electric brakes.

## **Trailer Lights**

Trailer lights and equipment must comply with the country's regulations where you are driving. Check the requirements for the areas where you plan to tow, and use only equipment designed for your vehicle.



Your vehicle has a trailer lighting connector located behind the left side panel in the luggage area. Refer to the drawing above for the wiring colour code and purpose of each pin.

If you use a non-Honda trailer lighting harness and converter, you can get the connector and pins that mate with the connector in your vehicle from your dealer.

You can get an optional trailer lighting connector for your vehicle from your dealer.

Since lighting and wiring vary by trailer type and brand, you should have a qualified technician install a suitable connector between the vehicle and the trailer. Improper equipment or installation can cause damage to your vehicle's electrical system.

Always consult your dealer before connecting the trailer lights to your vehicle's lighting system.

*CONTINUED*

# Towing a Trailer

---

## *Additional Trailer Equipment*

There may be laws requiring special outside mirrors when towing a trailer. Check the local laws in the country.

Even if there are no legal requirements, you should install special mirrors if you cannot clearly see behind you, or if the trailer creates a blind spot.

Ask your trailer sales or rental agency if any other items are recommended or required for your towing situation.

## **Pre-Tow Checklist**

When preparing to tow, and before driving away, be sure to check the following:

- The vehicle has been properly serviced, and suspension and cooling system are in good operating condition.
- The trailer has been properly serviced and is in good condition.
- All weights and loads are within limits.
- The towbar, safety chains, and any other attachments are secure.
- All items in or on the trailer are properly secured and cannot shift while you drive.

- The lights and brakes on your vehicle and the trailer are working properly.
- Your vehicle tyres and spare (if equipped) are properly inflated, and the trailer tyres and spare are inflated as recommended by the trailer maker.
- Be sure to check regulations concerning the maximum speed or driving restrictions for vehicles towing trailers. If you are driving across several countries, check each country's requirements before leaving home, because regulations may vary.

Operating speed when towing a trailer is restricted to 100 km/h (62 mph).

## **Driving Safely With a Trailer**

The added weight, length, and height of a trailer will affect your vehicle's handling and performance, so driving with a trailer requires some special driving skills and techniques.

For your safety and the safety of others, take time to practice driving manoeuvres before heading for the open road, and follow the guidelines in this section.

## ***Towing Speeds and Gears***

Drive slower than normal in all driving situations, and obey posted speed limits for vehicles with trailers.

If your vehicle has an automatic transmission, use the D position when towing a trailer on level roads. D3 is the proper shift lever position to use when towing a trailer in hilly terrain.

Do not exceed the limited speed when towing a trailer. At higher speeds, the trailer may sway or affect vehicle handling (see “***Driving on Hills***” in the next page for additional gear information).

## ***Making Turns and Braking***

Make turns more slowly and wider than normal. The trailer tracks a smaller arc than your vehicle, and it can hit or run over something the vehicle misses. Allow more time and distance for braking. Do not brake or turn suddenly as this could cause the trailer to jackknife or turn over.

*CONTINUED*



# Towing a Trailer

---

## ***Driving on Hills***

When climbing hills, closely watch your temperature gauge. If it nears the red (Hot) mark, turn the air conditioning off, reduce speed and, if necessary, pull to the side of the road to let the engine cool.

When driving down hills, reduce your speed and always apply engine braking by shifting down. If your vehicle has a manual transmission, when going down a steep hill, use the 3rd gear to provide greater engine braking.

If your vehicle has an automatic transmission, when driving down hills, reduce your speed and use the D3 position. When going down a steep hill, use the 2nd position to provide greater engine braking.

Do not “ride” the brakes, and remember, it will take longer to slow down and stop when towing a trailer.

Driving on an uphill road of more than 12% slope is not recommended for your vehicle.

We recommend that you tow a trailer on the roads recommended by the trailer association.

If you must stop when facing uphill, use the foot brake or parking brake. Do not try to hold the vehicle in place by pressing on the accelerator, as this can cause the automatic transmission to overheat.

Make sure to set the parking brake when starting off on an incline.

## ***Handling Crosswinds and Buffeting***

Crosswinds and air turbulence caused by passing trucks can disrupt your steering and cause the trailer to sway. When being passed by a large vehicle, keep a constant speed, and steer straight ahead. Do not try to make quick steering or braking corrections.

## ***Backing Up***

Always drive slowly and have someone guide you when backing up. Grip the *bottom* of the steering wheel; then turn the wheel to the left to get the trailer to move to the left, and turn the wheel right to move the trailer to the right.

## ***Parking***

Follow all normal precautions when parking, including firmly setting the parking brake and putting the transmission in Park (automatic) or in first or reverse (manual). Also, place wheel chocks at each of the trailer's tyres.

## ***On Diesel models only***

You should keep the engine idling for about 2 minutes before turning off the ignition switch. (Idling the engine is prohibited in some countries. Always follow the legal requirements of the countries in which you will drive.)

# Trailer Stability Assist

---

Your vehicle is equipped with trailer stability assist function. This function works on the same sensors as the vehicle stability assist (VSA) system. This function helps to stabilize the vehicle/trailer combination when the trailer severely sways or oscillates. For more information of the VSA system, see page 378 .

If the function detects the vehicle/trailer instability, it checks if the swaying is caused by the trailer, and if the trailer swaying or oscillation is increasing.

The vehicle/trailer combination is more affected by crosswinds, buffeting, and improper tongue load. These conditions can make the trailer unstable, and cause it to sway.

Under these conditions, trailer stability assist begins to stabilize the vehicle/trailer combination by reducing the vehicle speed. The control unit sends signals to selectively apply the brakes and regulate the engine output. The brake lights of your vehicle will be turned on automatically by the system even if you do not keep the pressure on the brake pedal.

When the brakes are applied, the trailer's brake lights come on along with the vehicle brake lights.

When the trailer stability assist activates, you will see the VSA activation indicator blink. There may also be some noise from the VSA hydraulic system.

Trailer stability assist cannot prevent a loss of control. Always reduce the vehicle speed and steer firmly. Do not brake suddenly or make quick steering motion. It could cause the trailer to jackknife or turn over and the system becomes ineffective.

Trailer stability assist cannot prevent swaying that can occur in crosswinds and in normal and emergency driving manoeuvres. It helps only to stabilize the vehicle/trailer combination in these conditions, after the oscillation becomes severe.

Trailer stability assist will also be ineffective while driving at high speed or towing a trailer with a high centre of gravity.

Always obey the speed limits for towing a trailer, see page 386 .

## Trailer Stability Assist Failure

TSA

### *Trailer Stability Assist Function Indicator*

*On vehicles with information display*  
The control unit monitors the VSA circuitry and the braking system. If there is a problem with the brake lighting system, the trailer stability assist function shuts down and the trailer stability assist (TSA™) function indicator comes on and stays on in the instrument panel.

If you see this indicator, have your vehicle checked at your dealer as soon as possible.

In this case, your vehicle still has the VSA traction and stability enhancement, but it will not have the trailer stability assist function.

If there is a problem with the VSA system, the VSA system and trailer stability assist function shut off. The VSA system and VSA activation indicators also come on (see page 378).



*On vehicles with multi-information display*

The control unit monitors the VSA circuitry and the braking system. If there is a problem with the brake lighting system, the trailer stability assist function shuts down, and the symbol "TSA™" or this symbol with a "CHECK SYSTEM" message appears on the multi-information display.

*CONTINUED*

# Trailer Stability Assist

---

If you see this message, have your vehicle checked at your dealer as soon as possible.

In this case, your vehicle still has the VSA traction and stability enhancement, but it will not have the trailer stability assist function.

If there is a problem with the VSA system, the VSA system and trailer stability assist function shut off, and a symbol “VSA” or this symbol with a “CHECK SYSTEM” message and then a symbol “TSA™” or this symbol with a “CHECK SYSTEM” message appear on the multi-information display. The VSA system and VSA activation indicators also come on (see page 378).

## *On all models*

The ABS indicator and the brake system indicator may also come on along with the VSA system indicator.

If you see these warning indicators, have your vehicle checked at your dealer as soon as possible.

If you turn off the VSA, the trailer stability assist function also shuts off. Press and hold the VSA off switch until you hear a beep (see page 379 ). The VSA activation indicator comes on as a reminder. Press and hold the switch again to turn the system on.

The function turns on every time you start the engine along with the VSA, even if you turned it off the last time you drove the vehicle.

## General Information

Your vehicle has been designed primarily for use on paved roads. But its higher ground clearance allows you to occasionally travel on unpaved roads, such as campgrounds, picnic sites, and similar locations. It is not designed for trail-blazing, mountain climbing, or other challenging off-road activities.

If you decide to drive on unpaved roads, you will find that it requires somewhat different driving skills. Your vehicle will also handle somewhat differently than it does on paved roads. So be sure to read this owner's manual, pay special attention to the precautions and tips in this section, and get acquainted with your vehicle before you leave the paved roads.

In many countries, the law prohibits off-road driving, e.g. driving in forests, trailblazing, etc. Please check your local laws and regulations before commencing any off-road driving activity.

## WARNING

**Improperly operating this vehicle on or off pavement can cause an accident or rollover in which you and your passengers could be seriously injured or killed.**

- **Follow all instructions and guidelines in this owner's manual.**
- **Keep your speed low, and don't drive faster than conditions permit.**

## Important Safety Precautions

To avoid loss of control or rollover, be sure to follow all precautions and recommendations.

- Be sure to store luggage properly, and do not exceed your vehicle luggage load limits (see pages 344 and 527).
- Whenever you drive, make sure you and your passengers always wear seat belts.
- Keep your speed low, and never go faster than the conditions allow.
- It's up to you to continually assess the situation and drive within the limits.

## Check Out Your Vehicle

Before you leave the paved road, be sure to do all scheduled maintenance and service, and inspect your vehicle for any problems. Pay special attention to the condition of the tyres, and check the tyre pressures.

After you return to the paved road, carefully inspect your vehicle to make sure there is no damage that could make driving it unsafe. Recheck the condition of the tyres and the tyre pressures.

## Remember

The route presents limits (too steep or bumpy roads). You have limits (driving skill and comfort). And your vehicle has limits (traction, stability, and power).

Driving off-road can be hazardous if you fail to recognize limits and take the proper precautions.

## Accelerating and Braking

For better traction on all surfaces, accelerate slowly and gradually build up speed. If you try to start too fast on wet soil, mud, snow, or ice, you might not have enough traction to get underway, and you may dig yourself a hole. Starting with the shift lever in second (2) gear will help you have a smoother start on snow or ice.

Keep in mind that you will usually need more time and distance to brake to a stop on unpaved surfaces. Avoid hard braking. Do not “pump” the brakes; let the anti-lock braking system pump them for you.

## Avoiding Obstacles

Debris in the road can damage your suspension or other components. Because your vehicle has a high centre of gravity, driving over a large obstacle, or allowing a wheel to drop into a deep hole can cause your vehicle to tip or roll over.

## Driving on Slopes

If you can't clearly see all conditions or obstacles on a slope, walk the slope before you drive on it. If you have any doubt whether or not you can safely drive on the slope, don't do it. Find another route.

If you are driving up a hill and find that you cannot continue, *do not try to turn around*. Your vehicle could roll over. Slowly back down the hill, following the same route you took up the hill.

## Crossing a Stream

Avoid driving through deep water. If you encounter water in your route (a small stream or large puddle, for example), evaluate it carefully before going ahead. Make sure it is shallow, flowing slowly, and has firm ground underneath. If you are not sure of the depth or the ground, turn around and find another route.

Driving through deep water can also damage your vehicle. The water can get into the transmission and differential, diluting the lubricant and causing an eventual failure. It can also wash the grease out of the wheel bearings.

## If You Get Stuck

Avoid driving on soft sand, deep mud, or other surfaces where you could get stuck. If you do happen to get stuck because of inclement weather or other conditions, choose a safe and appropriate course of action.

You should never use a jack to try getting unstuck. A jack only works on firm, level ground. Also, your vehicle could easily slip off the jack and hurt you or someone else.

*CONTINUED*



## Off-Road Guidelines

---

If you spin the wheels excessively trying to get unstuck, you may overheat the components of the 4-wheel drive system. If this happens, the 4-wheel drive system shuts off and only the front wheels receive power. If this happens, stop and allow everything to cool down. The 4-wheel drive system will work again after its temperature drops.

If you slip the clutch for a long time while trying to get unstuck, you may overheat and damage it.

Regularly maintaining your vehicle is the best way to protect your investment. You will be rewarded with safer, more economical, trouble-free driving. This section lists items that need to be checked regularly and explains how to check them. It also details some simple maintenance tasks you can do yourself. The maintenance schedules show you when these things need to be done.

Maintenance Safety.....	398	Wiper Blades.....	446
Maintenance Schedule.....	399	Tyres .....	450
Maintenance Record .....	407	Checking the Battery .....	457
Fluid Locations.....	408	Vehicle Storage.....	459
Adding Engine Oil			
(Petrol models) .....	410		
Adding Engine Oil			
(Diesel models).....	412		
Engine Coolant			
(Petrol models) .....	414		
Engine Coolant			
(Diesel models).....	416		
Windscreen Washers .....	418		
Automatic Transmission Fluid....	419		
Manual Transmission Fluid .....	420		
Rear Differential Fluid .....	421		
Brake and Clutch Fluid.....	421		
Power Steering Fluid.....	423		
Air Cleaner Element			
(Petrol models) .....	424		
Air Cleaner Element			
(Diesel models).....	425		
Fuel Filter .....	426		
Lights .....	427		
Air Conditioning System.....	443		
Dust and Pollen Filter .....	444		

# Maintenance Safety

All service items not detailed in this section should be performed by a certified technician or other qualified technician.

## Important Safety Precautions

To eliminate potential hazards, read the instructions before you begin, and make sure you have the tools and skills required.

- Make sure your vehicle is parked on level ground, the parking brake is set, and the engine is off.
- To clean parts, use a commercially available degreaser or parts cleaner, not fuel.
- To reduce the possibility of fire or explosion, keep cigarettes, sparks, and flames away from the battery and all fuel-related parts.
- Wear eye protection and protective clothing when working with the battery or compressed air.

## WARNING

**Improperly maintaining this vehicle or failing to correct a problem before driving can cause a crash in which you can be seriously hurt or killed.**

**Always follow the inspection and maintenance recommendations and schedules in this owner's manual/Service Book.**

## Potential Vehicle Hazards

- **Carbon Monoxide poison from engine exhaust.** Be sure there is adequate ventilation whenever you operate the engine.
- **Burns from hot parts.** Let the engine and exhaust system cool down before touching any parts.

- **Injury from moving parts.** Do not run the engine unless instructed to do so.

## WARNING

**Failure to properly follow maintenance instructions and precautions can cause you to be seriously hurt or killed.**

**Always follow the procedures and precautions in this owner's manual.**

Some of the most important safety precautions are given here. However, we cannot warn you of every conceivable hazard that can arise in performing maintenance. Only you can decide whether or not you should perform a given task.

The required maintenance schedule specifies all maintenance required to keep your vehicle in peak operating condition. Maintenance work should be performed in accordance with the standards and specifications of Honda by properly trained and equipped technicians. Your authorized dealer meets all of these requirements.

There are two types of maintenance schedule in this owner's manual. One is for petrol models (see pages 401 to 403 ), and the other is for diesel models (see pages 404 – 406 ).

In EU countries, follow the maintenance schedule in the Service Book that came with your vehicle.

The maintenance schedule assumes you will use your vehicle as normal transportation for passengers and their possessions. You should also follow these recommendations:

- Avoid exceeding your vehicle's load limit. This puts excess stress on the engine, brakes, and many other vehicle parts.
- Operate your vehicle on reasonable roads within the legal speed limit.
- Drive your vehicle regularly over a distance of several kilometres (miles).

#### *On Petrol models*

- Always use the recommended petrol only (see page 332 ).

#### *On Diesel models*

- Always use the recommended diesel fuel only (see page 332 ).

We recommend the use of genuine Honda parts and fluids or their equivalent whenever you have maintenance done. These are the same high-quality items that went into your vehicle when it was new, so you can be sure they fit and perform flawlessly.

### **NOTICE**

#### *On Diesel models*

Do not press the engine cover forcibly. This may damage the engine cover and component parts.

# Maintenance Schedule

---

## Owner's Maintenance Checks

You should check the following items at the use or specified intervals.

- Engine oil level — Check every time you fill the fuel tank. See page 336 .
- Engine coolant level —  
*On Petrol models*  
Check the radiator reserve tank every time you fill the fuel tank. See page 338 .  
*On Diesel models*  
Check the expansion tank every time you fill the fuel tank. See page 338 .
- Windscreen washer fluid — Check the level in the reservoir monthly. If weather conditions cause you to use the washers frequently, check the reservoir each time you stop for fuel. See page 418 .

- Windscreen wipers — Check the wiper condition monthly. If the wipers do not wipe the windscreen securely, check them for wear, cracks, and other damage.
- Automatic transmission — Check the fluid level monthly. See page 419 .
- Brakes and clutch — Check the fluid level monthly. See page 421 .
- Brake pedal — Check the brake pedal for smooth operation.
- Parking brake — Check the parking brake lever for smooth operation.
- Tyres — Check the tyre pressure monthly. Examine the tread for wear and foreign objects. See page 450 .

- Battery — Check its condition and the terminals for corrosion monthly. See page 457 .
- Air conditioning system — Check its operation weekly. See page 443 .
- Windscreen demister — Operate the heater and air conditioning and check the demister vents monthly.
- Lights — Check the operation of the headlights, position lights, tail-lights, high-mount brake light, and licence plate lights monthly. See page 427 .
- Doors — Check the tailgate and all doors including the rear doors for smooth opening/closing and secure locking.
- Horn — Check the horn operation.

# Maintenance Schedule for Petrol Models (Except EU)

Service at the indicated distance or time — whichever comes first.	km x 1,000	20	40	60	80	100	120	140	160	180	200
	miles x 1,000	12.5	25.0	37.5	50.0	62.5	75.0	87.5	100.0	112.5	125.0
	months	12	24	36	48	60	72	84	96	108	120
Replace engine oil* <sup>1</sup>	Normal	Every 10,000 km (6,250 miles) or 1 year									
	Severe* <sup>2</sup>	Every 5,000 km (3,125 miles) or 6 months									
Replace engine oil filter* <sup>1</sup>	Normal	●	●	●	●	●	●	●	●	●	●
	Severe* <sup>2</sup>	Every 10,000 km (6,250 miles) or 6 months									
Clean air cleaner element (Dry type only)	Every 10,000 km (6,250 miles)										
Replace air cleaner element (Wet and dry types)	Every 20,000 km (12,500 miles)										
Inspect valve clearance	Every 40,000 km (25,000 miles)										
Replace fuel filter* <sup>3</sup>				●					●		
Replace spark plugs Iridium type	Every 100,000 km (62,500 miles)										
Inspect drive belt		●		●		●		●		●	
Inspect idle speed						●					
Replace engine coolant	At 200,000 km (125,000 miles) or 10 years, then every 100,000 km (62,500 miles) or 5 years										

This maintenance schedule outlines the minimum required maintenance that you should perform to ensure the trouble-free operation of your vehicle. Due to regional and climatic differences, some additional servicing may be required. Please consult your warranty booklet for a more detailed description.

\* 1 : Only severe schedule is required in some countries: refer to the local warranty booklet that came with your vehicle.

\* 2 : Refer to page 403 for replacement information under severe conditions.

\* 3 : Refer to page 426 for replacement information under severe driving conditions.

CONTINUED

# Maintenance Schedule for Petrol Models (Except EU)

Service at the indicated distance or time — whichever comes first.	km x 1,000		20	40	60	80	100	120	140	160	180	200
	miles x 1,000		12.5	25.0	37.5	50.0	62.5	75.0	87.5	100.0	112.5	125.0
	months		12	24	36	48	60	72	84	96	108	120
Replace transmission fluid**	M/T	Normal						●				
		Severe			●			●			●	
	A/T	Normal						●				●
		Severe			●		●		●		●	
Replace rear differential fluid		●				●				●		
Inspect front and rear brakes	Every 10,000 km (6,250 miles) or 6 months											
Replace brake fluid	Every 3 years (independent of distance)											
Check parking brake adjustment		●	●		●		●		●			●
Replace dust and pollen filter		●	●	●	●	●	●	●	●	●	●	●
Check expiry date for TRK bottle (if equipped)		●	●	●	●	●	●	●	●	●	●	●
Rotate tyres (Check tyre inflation and condition at least once per month)	Rotate tyres every 10,000 km (6,250 miles)											
<b>Visually inspect the following items:</b>												
Tie rod ends, steering gear box and boots Suspension components Driveshaft boots	Every 10,000 km (6,250 miles) or 6 months											
Brake hoses and lines (including ABS) All fluid levels and condition of fluids Exhaust system Fuel lines and connections		●	●	●	●	●	●	●	●	●	●	●

\* 1: Refer to page 403 for replacement information under severe conditions.

**NOTE:**

If you drive your vehicle under one or more of the following severe conditions, the following items must be serviced according to the maintenance schedule indicated as Severe.

**Severe driving conditions:**

A: Driving less than 8 km (5 miles) per trip, or in freezing temperatures, driving less than 16 km (10 miles) per trip.

B: Driving in extremely hot [over 35°C (95°F)] conditions.

C: Extensive idling or long periods of stop-and-go driving.

D: Trailer towing, driving with a loaded roof rack, or driving in mountainous conditions.

E: Driving on muddy, dusty, or de-iced roads.

Items	Condition
Engine oil and oil filter	A, B, C, D, E
Transmission fluid (M/T, A/T)	B, D



# Maintenance Schedule for Diesel Models (Except EU)

Service at the indicated distance or time — whichever comes first.	km x 1,000		20	40	60	80	100	120	140	160	180	200
	miles x 1,000		12.5	25.0	37.5	50.0	62.5	75.0	87.5	100.0	112.5	125.0
	months		12	24	36	48	60	72	84	96	108	120
Replace engine oil and oil filter* <sup>1</sup>	Normal	Every 10,000 km (6,250 miles) or 1 year										
	Severe	Every 5,000 km (3,125 miles) or 6 months										
Replace air cleaner element* <sup>1</sup> (Wet type)	Normal	Every 20,000 km (12,500 miles)										
	Severe	Every 10,000 km (6,250 miles)										
Replace fuel filter		●	●	●	●	●	●	●	●	●	●	●
Inspect drive belt			●			●		●		●		●
Replace engine coolant							●			●		
Replace transmission fluid* <sup>1</sup>	M/T Normal							●				
	Severe				●			●			●	
Replace rear differential fluid		●					●				●	
Inspect front and rear brakes		Every 10,000 km (6,250 miles) or 6 months										

This maintenance schedule outlines the minimum required maintenance that you should perform to ensure the trouble-free operation of your vehicle. Due to regional and climatic differences, some additional servicing may be required. Please consult your warranty booklet for a more detailed description.

\* 1: Refer to page 406 for replacement information under severe conditions.

# Maintenance Schedule for Diesel Models (Except EU)

Service at the indicated distance or time — whichever comes first.	km x 1,000	20	40	60	80	100	120	140	160	180	200
	miles x 1,000	12.5	25.0	37.5	50.0	62.5	75.0	87.5	100.0	112.5	125.0
	months	12	24	36	48	60	72	84	96	108	120
Replace brake fluid	Every 3 years (independent of distance)										
Check parking brake adjustment	●	●		●		●		●		●	●
Replace dust and pollen filter	●	●	●	●	●	●	●	●	●	●	●
Check expiry date for TRK bottle (if equipped)	●	●	●	●	●	●	●	●	●	●	●
Rotate tyres (Check tyre inflation and condition at least once per month)	Rotate tyres every 10,000 km (6,250 miles)										
<b>Visually inspect the following items:</b>											
Tie rod ends, steering gear box and boots	Every 10,000 km (6,250 miles) or 6 months										
Suspension components	Every 10,000 km (6,250 miles) or 6 months										
Driveshaft boots	Every 10,000 km (6,250 miles) or 6 months										
Brake hoses and lines (including ABS)	●	●	●	●	●	●	●	●	●	●	●
All fluid levels and condition of fluids	●	●	●	●	●	●	●	●	●	●	●
Exhaust system	●	●	●	●	●	●	●	●	●	●	●
Fuel lines and connections	●	●	●	●	●	●	●	●	●	●	●

\* 1 : Refer to page 406 for replacement information under severe conditions.

CONTINUED

# Maintenance Schedule for Diesel Models (Except EU)

---

## NOTE:

If you drive your vehicle under one or more of the following severe conditions, the following items must be serviced according to the maintenance schedule indicated as Severe.

### Severe driving conditions:

A: Driving less than 8 km (5 miles) per trip, or in freezing temperatures, driving less than 16 km (10 miles) per trip.

B: Driving in extremely hot (over 35°C) conditions.

C: Extensive idling or long periods of stop-and-go driving.

D: Trailer towing, driving with a loaded roof rack, or driving in mountainous conditions.

E: Driving on muddy, dusty, or de-iced roads.

Items	Condition
Engine oil and oil filter	A, B, C, D, E
Air cleaner element	D, E
Manual transmission fluid	B, D

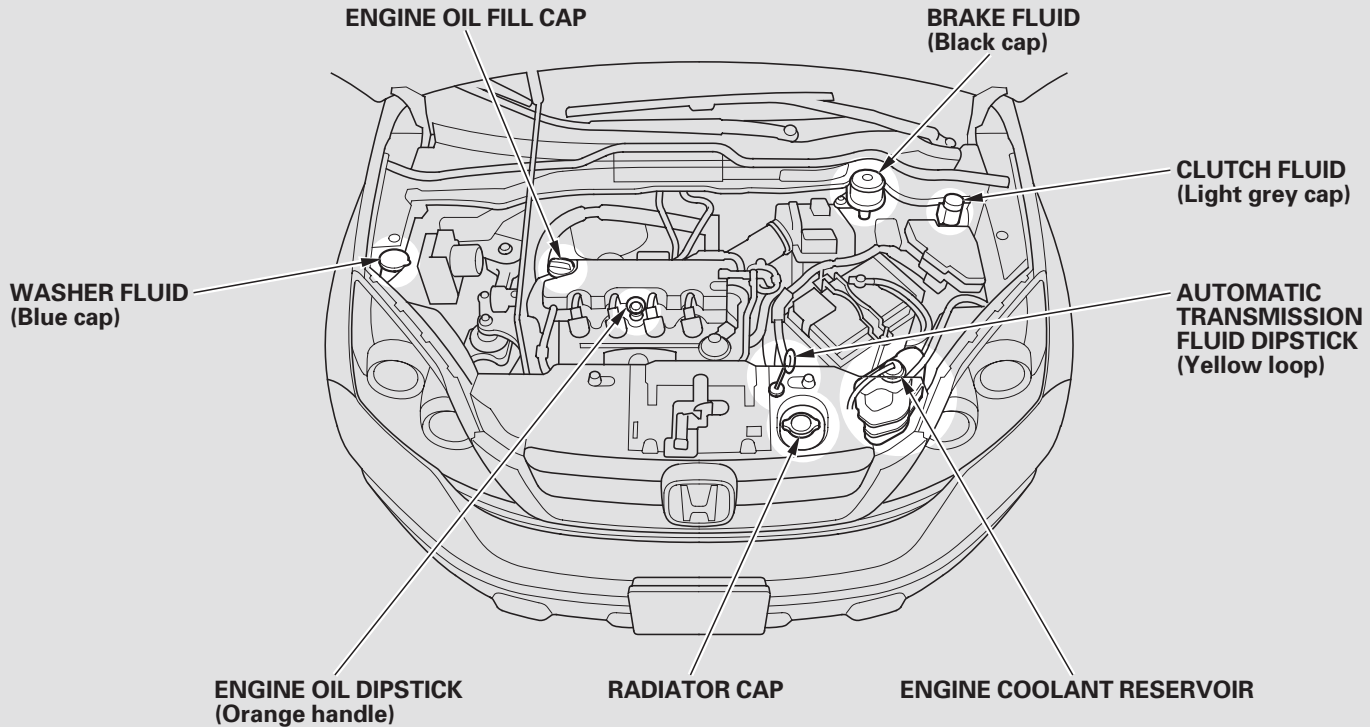
# Maintenance Record (Except EU)

Have your servicing dealer record all required maintenance below. Keep receipts for all work done on your vehicle.

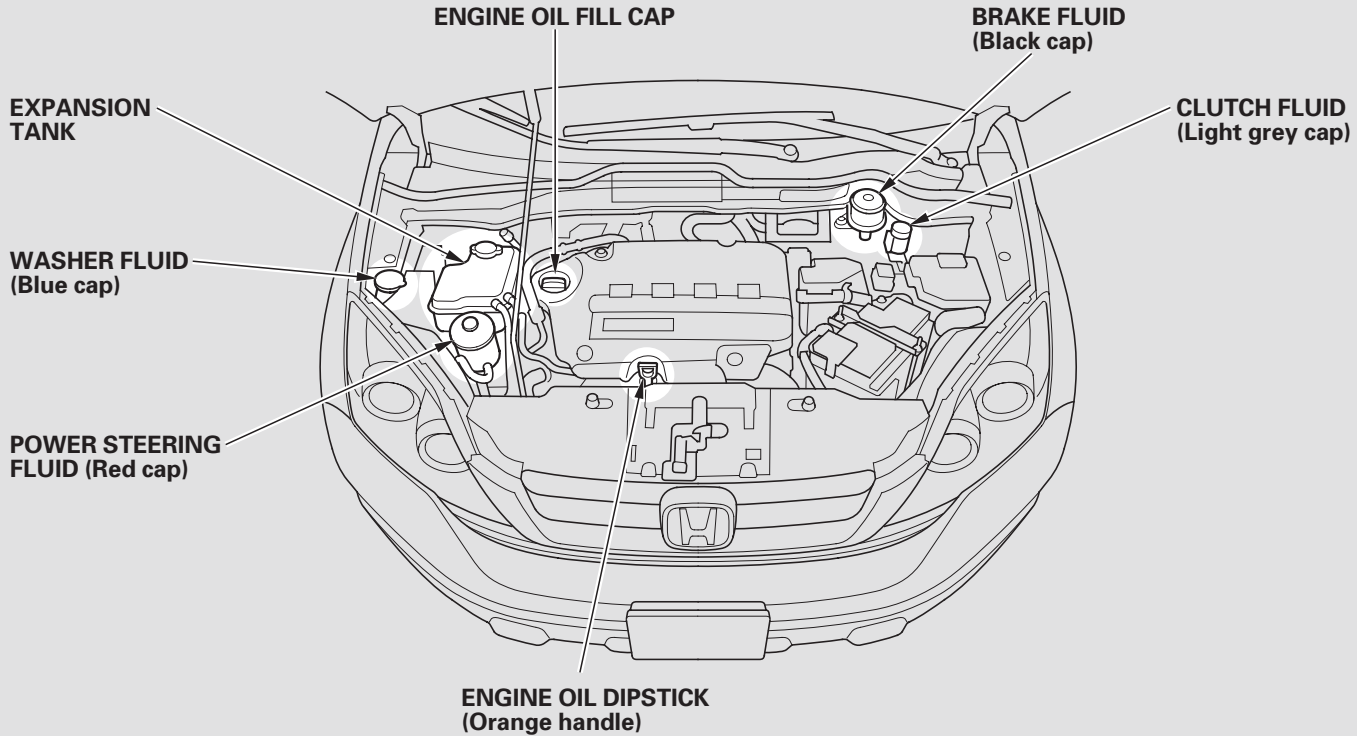
<b>20,000 km</b> 12,500 Mi. (or 12 Mo.)	(Sign or Stamp)	Km (Mi.) or Month
		----- Date
<b>40,000 km</b> 25,000 Mi. (or 24 Mo.)	(Sign or Stamp)	Km (Mi.) or Month
		----- Date
<b>60,000 km</b> 37,500 Mi. (or 36 Mo.)	(Sign or Stamp)	Km (Mi.) or Month
		----- Date
<b>80,000 km</b> 50,000 Mi. (or 48 Mo.)	(Sign or Stamp)	Km (Mi.) or Month
		----- Date
<b>100,000 km</b> 62,500 Mi. (or 60 Mo.)	(Sign or Stamp)	Km (Mi.) or Month
		----- Date

<b>120,000 km</b> 75,000 Mi. (or 72 Mo.)	(Sign or Stamp)	Km (Mi.) or Month
		----- Date
<b>140,000 km</b> 87,500 Mi. (or 84 Mo.)	(Sign or Stamp)	Km (Mi.) or Month
		----- Date
<b>160,000 km</b> 100,000 Mi. (or 96 Mo.)	(Sign or Stamp)	Km (Mi.) or Month
		----- Date
<b>180,000 km</b> 112,500 Mi. (or 108 Mo.)	(Sign or Stamp)	Km (Mi.) or Month
		----- Date
<b>200,000 km</b> 125,000 Mi. (or 120 Mo.)	(Sign or Stamp)	Km (Mi.) or Month
		----- Date

# Fluid Locations (Petrol models)

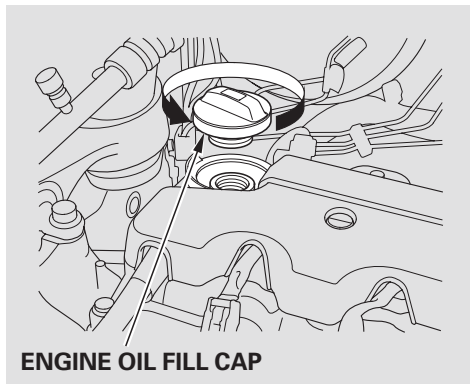


# Fluid Locations (Diesel models)



## Adding Engine Oil (Petrol models)

---



Unscrew and remove the engine oil fill cap on the valve cover. Pour in the oil slowly and carefully so you do not spill any. Clean up any spills immediately. Spilled oil could damage components in the engine compartment.

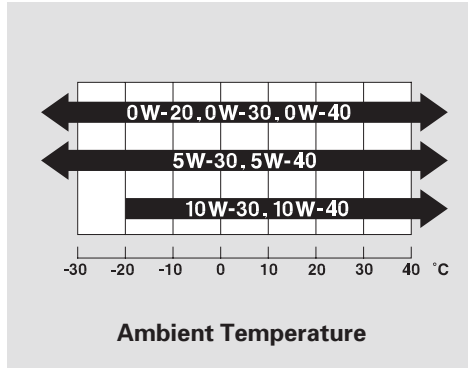
Reinstall the engine oil fill cap, and tighten it securely. Let the engine warm up and turn off the engine, let it sit for approximately 3 minutes, then check the oil level on the engine oil dipstick. Do not fill above the upper mark; you could damage the engine.

### **Recommended Engine Oil** *European models*

Oil is a major contributor to your engine's performance and longevity. Always use a premium-grade detergent oil. It is highly recommended that you use genuine Honda Motor Oil, "ACEA A1/B1," "ACEA A3/B3," or "ACEA A5/B5" in your vehicle for as long as you own it.

This oil is formulated to help your engine use less fuel.

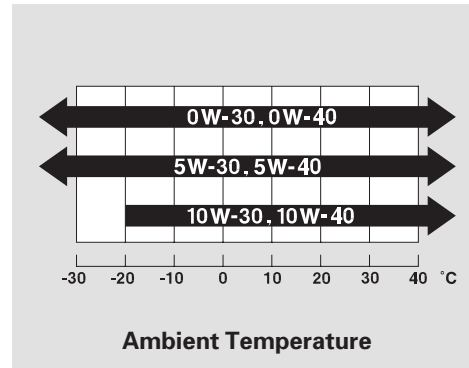
You can select the proper SAE/ACEA viscosity oil for your vehicle according to this chart:



### *Except for European models*

Oil is a major contributor to your engine's performance and longevity. Always use a premium-grade detergent oil. It is highly recommended that you use genuine Honda Motor Oil in your vehicle for as long as you own it.

You can select the proper SAE viscosity oil for your vehicle according to this chart:



Always use an API service SL or higher grade fuel-efficient oil. This oil is formulated to help your engine use less fuel.

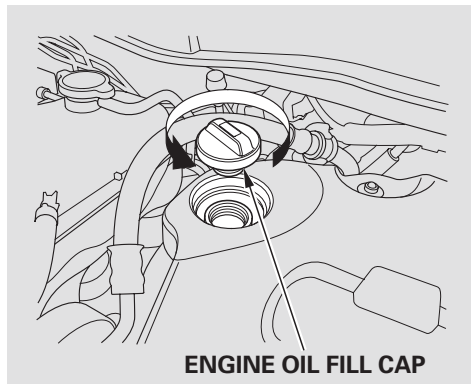
### **Engine Oil Additives**

Your vehicle does not require any oil additives. Additives may adversely affect your engine's or transmission's performance and durability.

*CONTINUED*



## Adding Engine Oil (Diesel models)



Unscrew and remove the engine oil fill cap on the valve cover. Pour in the oil slowly and carefully so you do not spill any. Clean up any spills immediately. Spilled oil could damage components in the engine compartment.

Reinstall the engine oil fill cap, and tighten it securely. Let the engine warm up and turn off the engine, let it sit for approximately 3 minutes, then check the oil level on the engine oil dipstick. Do not fill above the upper mark; you could damage the engine.

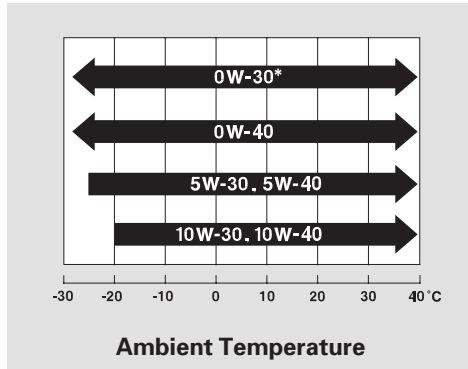
### **Recommended Engine Oil**

Always use a synthetic motor oil that meets the ACEA specifications, and is the proper weight as shown in the following chart. When using synthetic oil, you must follow the oil and filter change intervals given in the maintenance schedule.

### ***On Vehicles without DPF***

It is highly recommended that you use genuine Honda Motor Oil or 0W-30 synthetic motor oil meeting the minimum specification: “ACEA A1/B1,” “ACEA A3/B3,” or “ACEA A5/B5.”

You can select the proper SAE/ACEA viscosity oil for your vehicle according to this chart:

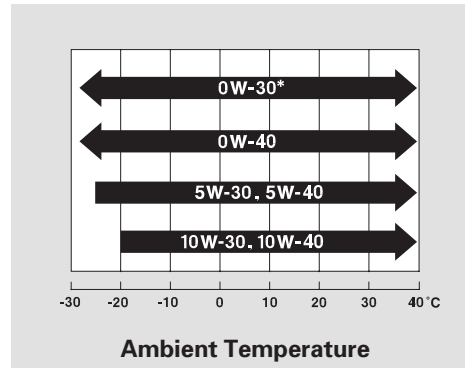


\* NOTE: 0W-30 oil is formulated to improve fuel economy.

## *On Vehicles with DPF*

It is highly recommended that you use genuine Honda Motor Oil or 0W-30 synthetic motor oil meeting the minimum specification: “ACEA C2” or “ACEA C3.”

You can select the proper SAE/ACEA viscosity oil for your vehicle according to this chart:



\* NOTE: 0W-30 is formulated to improve fuel economy.

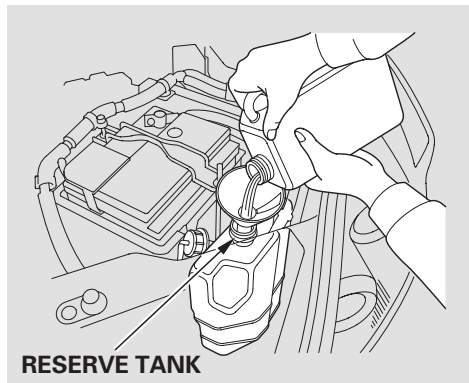
## **Engine Oil Additives**

Your vehicle does not require any oil additives. Additives may adversely affect the engine or transmission performance and durability.

# Engine Coolant (Petrol models)

## Adding Engine Coolant

If the coolant level in the reserve tank is at or below the MIN line, add coolant to bring it up to the MAX line. Inspect the cooling system for leaks.



Always use genuine Honda All Season Antifreeze/Coolant Type 2. This coolant is pre-mixed with 50 percent antifreeze and 50 percent water. Never add straight antifreeze or plain water.

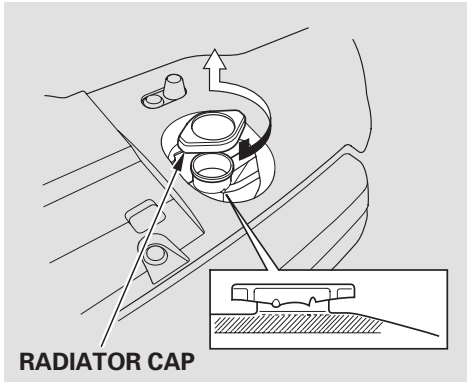
The cooling system contains many aluminium components that can corrode if an improper antifreeze is used. Some antifreeze, even though labelled as safe for aluminium parts, may not provide adequate protection.

If the reserve tank is completely empty, you should also check the coolant level in the radiator.

## **⚠ WARNING**

**Removing the radiator cap while the engine is hot can cause the coolant to spray out, seriously scalding you.**

**Always let the engine and radiator cool down before removing the radiator cap.**

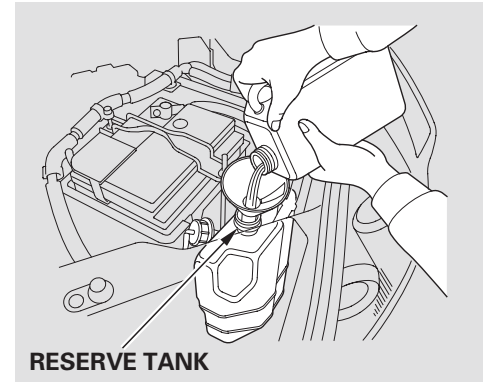


1. Make sure the engine and radiator are cool.
2. Relieve any pressure in the cooling system by turning the radiator cap anticlockwise, without pressing down.
3. Remove the radiator cap by pushing down and turning anticlockwise.

4. The coolant level should be up to the base of the filler neck. Add coolant if it is low.

Pour the coolant slowly and carefully so you do not spill any. Clean up any spills immediately; it could damage components in the engine compartment.

5. Put the radiator cap back on, and tighten it fully.

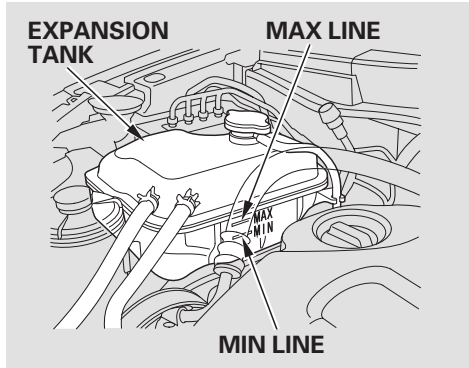


6. Pour coolant into the reserve tank. Fill it to halfway between the MAX and MIN marks. Put the cap back on the reserve tank.

Do not add any rust inhibitors or other additives to your vehicle's cooling system. They may not be compatible with the coolant or engine components.

# Engine Coolant (Diesel models)

## Adding Engine Coolant



If the coolant level in the expansion tank is at or below the MIN line, add coolant to bring it up to the MAX line. Inspect the cooling system for leaks.

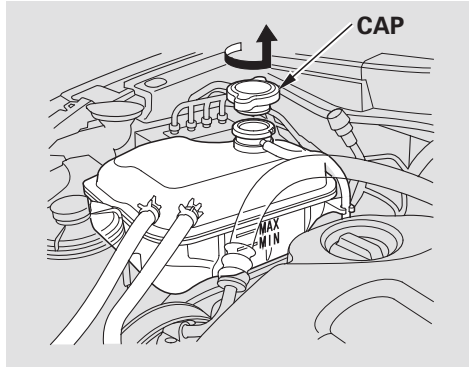
Always use genuine Honda All Season Antifreeze/Coolant Type 2. This coolant is pre-mixed with 50 percent antifreeze and 50 percent water. Never add straight antifreeze or plain water.

The cooling system contains many aluminium components that can corrode if an improper antifreeze is used. Some antifreeze, even though labelled as safe for aluminium parts, may not provide adequate protection.

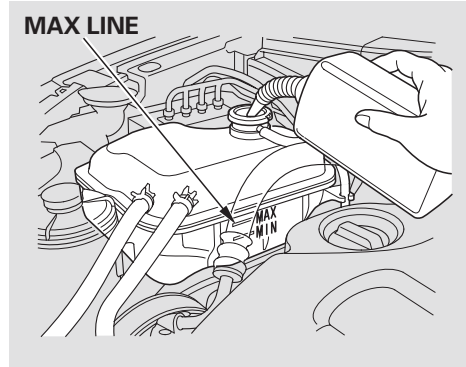
### WARNING

**Removing the expansion tank cap while the engine is hot can cause the coolant to spray out, seriously scalding you.**

**Always let the engine and radiator cool down before removing the expansion tank cap.**



1. Make sure the engine and radiator are cool.
2. Loosen the expansion tank cap by turning it 1/8 turn anticlockwise. This will relieve any remaining pressure in the cooling system.
3. Remove the expansion tank cap by pushing down and turning anticlockwise.



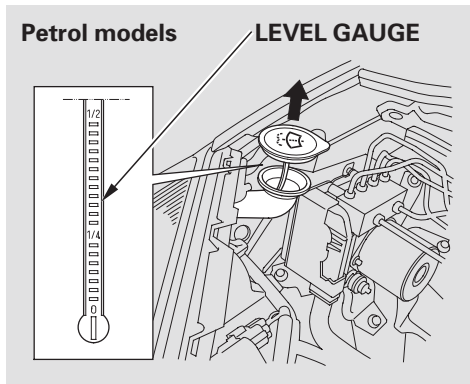
4. The coolant level should be up to the MAX line. Add coolant if it is low.

Pour the coolant slowly and carefully so you do not spill any. Clean up any spills immediately; it could damage components in the engine compartment.

5. Put the expansion tank cap back on, and tighten it fully.

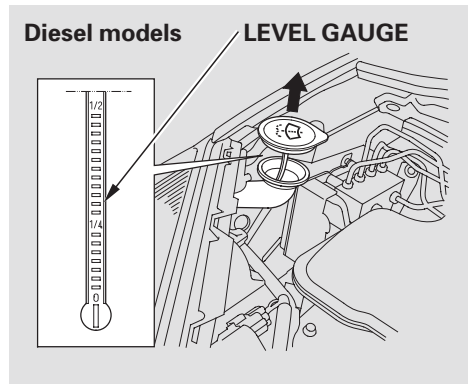
Do not add any rust inhibitors or other additives to your vehicle's cooling system. They may not be compatible with the coolant or engine components.

# Windscreen Washers



Check the fluid level in the windscreen washer reservoir at least monthly during normal use.

Check the fluid level by removing the cap and looking at the level gauge.

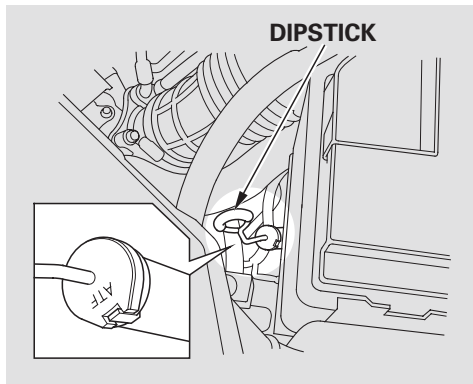


Fill the reservoir with a good-quality windscreen washer fluid. This increases the cleaning capability and prevents freezing in cold weather.

When you refill the reservoir, clean the edges of the windscreen wiper blades with windscreen washer fluid on a clean cloth. This will help to condition them.

## NOTICE

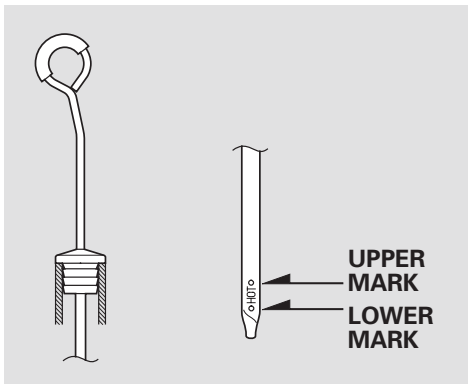
Do not use engine antifreeze or a vinegar/water solution in the windscreen washer reservoir. Antifreeze can damage your vehicle's paint, while a vinegar/water solution can damage the windscreen washer pump. Use only commercially-available windscreen washer fluid.



**DIPSTICK**

Check the fluid level with the engine at normal operating temperature.

1. Park the vehicle on level ground. Start the engine and let it run until the radiator fan comes on, then shut off the engine. For accurate results, wait about 60 seconds before going to step 2, but don't wait longer than 90 seconds.



2. Remove the dipstick (yellow loop) from the transmission, and wipe it with a clean cloth.
3. Insert the dipstick all the way back into the transmission securely as shown in the illustration.

4. Remove the dipstick and check the fluid level. It should be between the upper and lower marks.
5. If the level is below the lower mark, add fluid into the dipstick hole to bring it to the level between the upper and lower marks.

Pour the fluid slowly and carefully so you do not spill any. Clean up any spills immediately; it could damage components in the engine compartment.

*CONTINUED*



# Automatic Transmission Fluid, Manual Transmission Fluid

---

Always use genuine Honda ATF-Z1 (Automatic Transmission Fluid). If it is not available, you may use a DEXRON® III automatic transmission fluid as a temporary replacement. However, continued use can affect the shift quality. Have the transmission flushed and refilled with genuine Honda ATF-Z1 by your dealer as soon as it is convenient.

6. Insert the dipstick all the way back into the transmission securely as shown in the illustration.

Make sure the rubber cap on the dipstick fits in the dipstick guide and that you push the dipstick in all the way.

If you are not sure how to add fluid, contact your dealer.

## **Manual Transmission Fluid**

The transmission should be drained and refilled with new fluid according to the time and distance recommendations in the maintenance schedule.

Always use genuine Honda Manual Transmission Fluid (MTF). If it is not available, you may use an API service SJ or higher grade motor oil with a viscosity of SAE 10W-30 or 10W-40 as a temporary replacement. However, motor oil does not contain the proper additives, and continued use can cause stiffer shifting. Replace as soon as it is convenient.

## Rear Differential Fluid

The rear differential should be drained and refilled with new fluid according to the recommendation of the maintenance schedule. Have your dealer replace the rear differential fluid.


Use genuine Honda Dual Pump Fluid only. Do not use automatic transmission fluid (ATF).

## Brake and Clutch Fluid

Check the fluid level in the reservoirs monthly.

- Brake fluid reservoir (all models)
- Clutch fluid reservoir (manual transmission only)

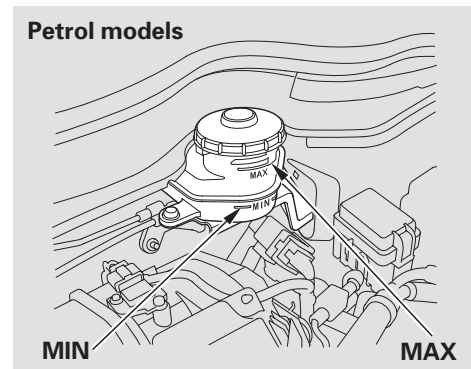
*On vehicles with multi-information display*

You will also see the symbol “,” or this symbol with a “BRAKE FLUID LOW” message on the multi-information display when the brake fluid level is low.

Replace the brake fluid according to the recommendation in the maintenance schedule.

Always use genuine Honda Brake Fluid or an equivalent from a sealed container that is marked DOT3 or DOT4 only. Brake fluid marked DOT5 is not compatible with your vehicle’s braking system.

## Brake System

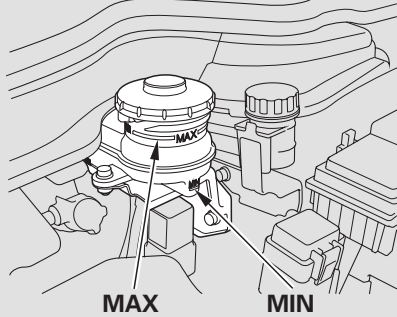


The fluid level should be between the MIN and MAX marks on the side of the reservoir. If the level is at or below the MIN mark, your brake system needs attention. Have the brake system inspected for leaks or worn brake pads.

*CONTINUED*

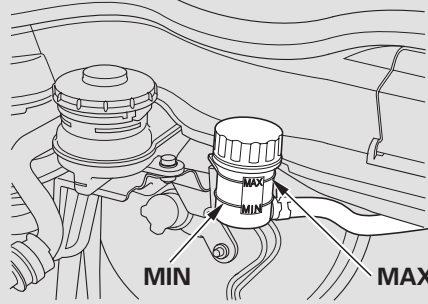
# Brake and Clutch Fluid

Diesel models

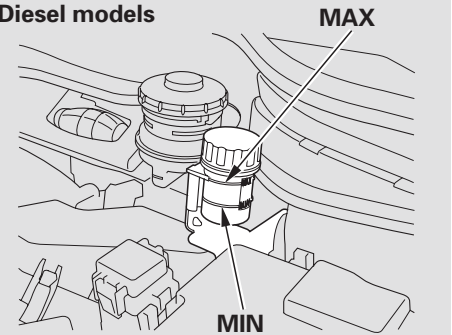


## Clutch System

Petrol models



Diesel models



The fluid level should be between the MIN and MAX marks on the side of the reservoir. If it is not, add brake fluid to bring it up to that level. Use the same fluid specified for the brake system.

A low fluid level can indicate a leak in the clutch system. Have this system inspected as soon as possible.

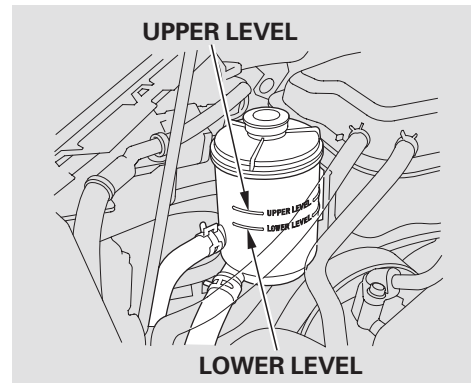
## *Diesel models only*

You should check the fluid level in the power steering reservoir at least once a year. Check the level on the side of the reservoir when the engine is cold. The fluid should be between the UPPER LEVEL and LOWER LEVEL. If not, add power steering fluid to the UPPER LEVEL mark.

Pour the fluid slowly and carefully so you do not spill any. Clean up any spills immediately; it could damage components in the engine compartment.

### **NOTICE**

Using automatic transmission fluid or another brand of power steering fluid will damage the system. Use only genuine Honda Power Steering Fluid (V, II or S).



A low power steering fluid level can indicate a leak in the system. Check the fluid level frequently, and have the system inspected as soon as possible.

### **NOTICE**

Turning the steering wheel to full left or right lock and holding it there can damage the power steering pump.

# Air Cleaner Element (Petrol models)

The air cleaner element should be replaced according to the time and distance recommendations in the maintenance schedule.

## Cleaning

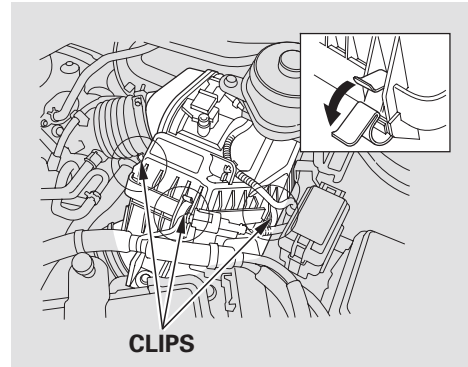
*On vehicles with dry type air cleaner element*

The air cleaner element should also be cleaned according to the maintenance schedule.

Clean the air cleaner element by blowing compressed air through it in the opposite direction to normal air flow. If you do not have access to compressed air (such as a service station), ask your dealer to do this service.

Follow the replacement procedure for removal and reinstallation.

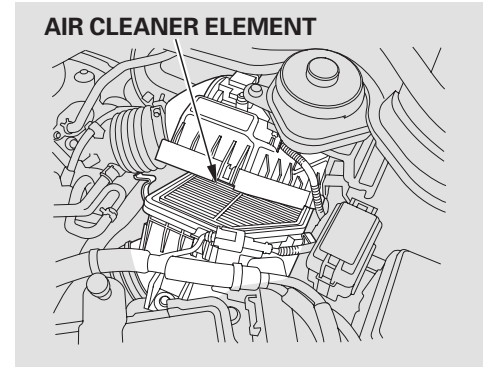
## Replacement



The air cleaner element is inside the air cleaner housing in the engine compartment.

To replace it:

1. Unsnap the three hold-down clips and remove the air cleaner housing cover.
2. Remove the old air cleaner element.

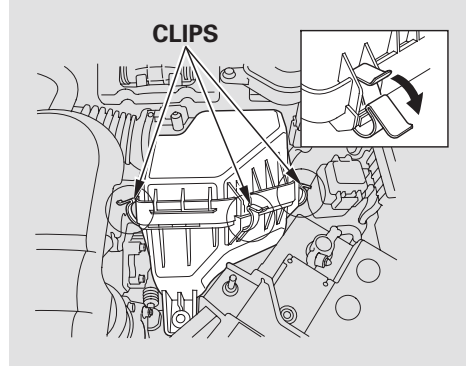


3. Carefully clean the inside of the air cleaner housing with a damp rag.
4. Place the new air cleaner element in the air cleaner housing.
5. Reinstall the air cleaner housing cover, and snap the three hold-down clips back into place.

The air cleaner element should be replaced according to the time and distance recommendations in the maintenance schedule.

Follow the replacement procedure for removal and reinstallation.

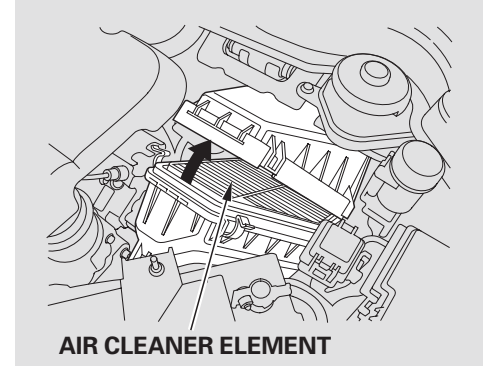
## Replacement



The air cleaner element is inside the air cleaner housing in the engine compartment.

To replace it:

1. Unsnap the three holding-clips and pull up the front of the air cleaner housing cover.
2. Remove the old air cleaner element.



3. Carefully clean the inside of the air cleaner housing with a damp rag.
4. Place the new air cleaner element in the air cleaner housing.
5. Reinstall the air cleaner housing cover, and snap the three holding-clips securely.

# Fuel Filter

---

The fuel filter should be replaced according to the time and distance recommendations in the maintenance schedule.


## *On petrol models*

It is recommended to replace the fuel filter every 40,000 km (25,000 miles), or 2 years (except EU), if the fuel you are using is suspected to be contaminated. In a high dust environment, the filter may become clogged sooner.

## *On all models*

Have a qualified technician change the fuel filter. Since the fuel system is under pressure, fuel can spray out and create a hazard if all fuel line connections are not handled correctly.

## **Draining Water (Diesel models only)**

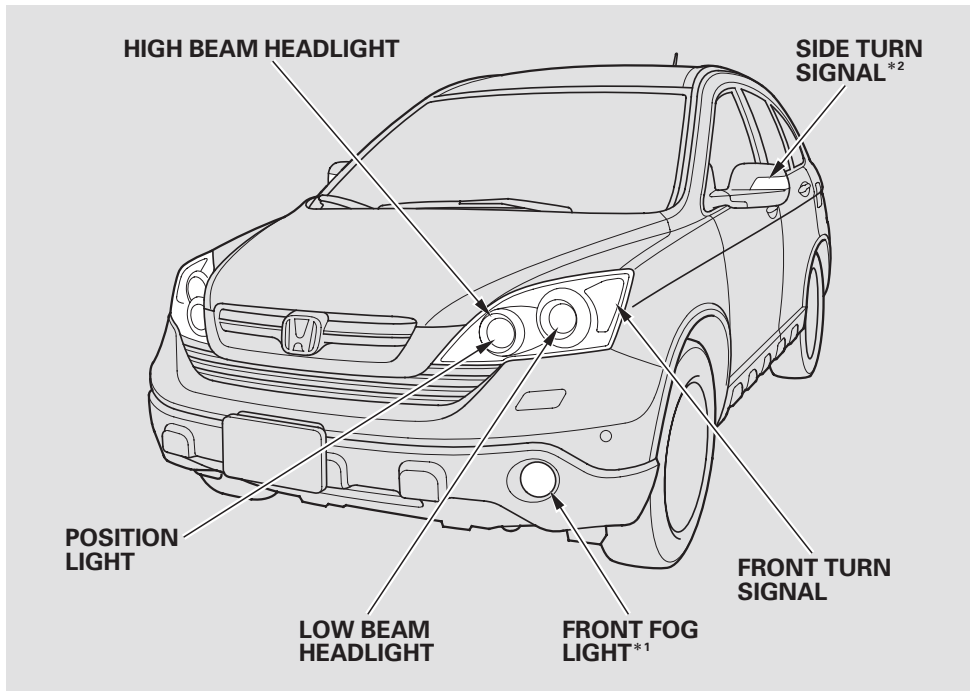
You will see the symbol “,” or the symbol with a “WATER IN FUEL FILTER” message on the multi-information display when water stays in the fuel system. Contact your dealer as soon as possible (see page 127).

## *On vehicles with information display*

The water in diesel filter indicator will come on to indicate that draining water is required (see page 85).

After the vehicle has been stored for an extended period, the engine may not start. If water stays in the fuel system, you will see the symbol on the multi-information display or the water in diesel filter indicator on the information display when you turn the ignition switch to the ON (II) position. This may also be caused by air in the fuel system. In this case, follow the procedure for **Priming the Fuel System** (see page 461).

Check the operation of your vehicle's exterior lights at least once a month. A burned out bulb can make the condition of your vehicle unsafe reducing your vehicle's visibility and the ability to signal your intentions to other drivers.



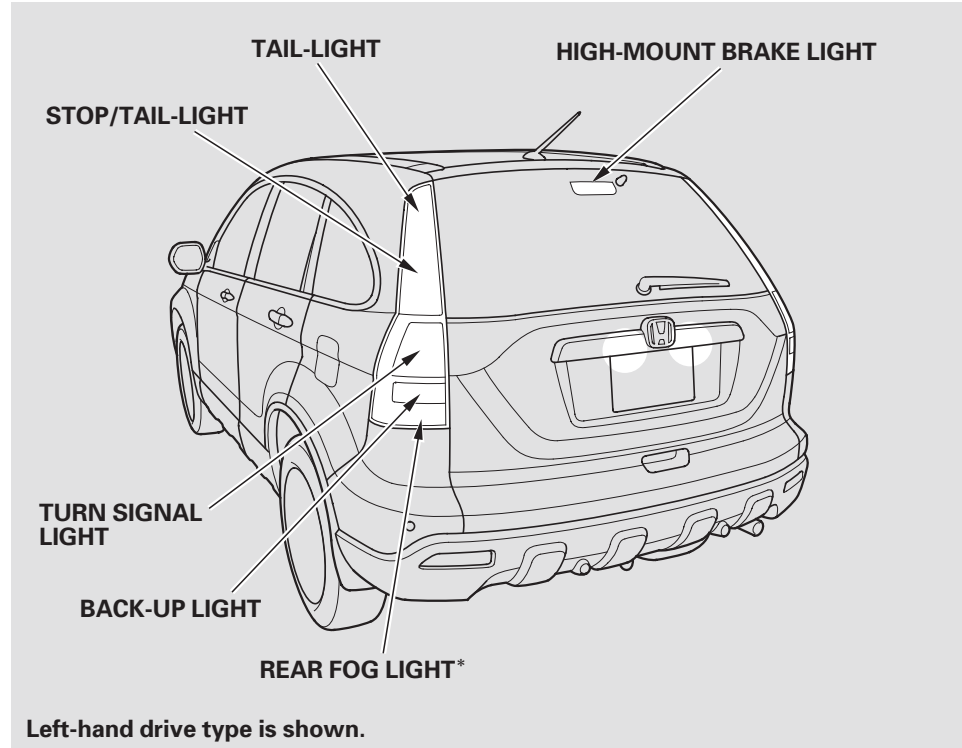
\*1 : If equipped

\*2 : Bulb replacement should be done by your dealer.

*CONTINUED*



# Lights



\*: Rear fog light is installed on the driver's side only.

Check the following:

- Headlights (low and high beam)
- Position lights
- Tail-lights
- Brake lights
- Turn signals
- Side turn signals
- Back-up lights
- Hazard light function
- Licence plate lights
- High-mount brake light
- Front fog lights (for some models)
- Rear fog light

If you find any bulbs are burned out, replace them as soon as possible. Refer to the chart on page 531 to determine what type of replacement bulb is needed.

## Headlight Aiming

The headlights were properly aimed when your vehicle was new. If you regularly carry heavy items in the luggage area or pull a trailer, readjustment may be required. Adjustments should be done by your dealer or other qualified technician.

The vertical angle of the headlights can be adjusted. For more information, see page 173 .

*On vehicles with high voltage discharge type low beam headlights*

Your vehicle is equipped with an automatic headlight adjusting system that adjusts the vertical angle of the headlights (low beam) automatically. Refer to page 173 for more information.

## Headlights with High Voltage Discharge Tubes (For some types)

The low beam headlight bulbs are a type of high voltage discharge tube. High voltage can remain in the circuit even with the light switch off and the key removed. Because of this, you should not attempt to examine or change a low beam headlight bulb yourself. If a low beam headlight bulb fails, take the vehicle to your dealer to have it replaced.

## Replacing a Headlight Bulb

Your vehicle has halogen headlight bulbs. When replacing a bulb, handle it by its base, and protect the glass from contact with your skin or hard objects. If you touch the glass, clean it with denatured alcohol and a clean cloth.

### NOTICE

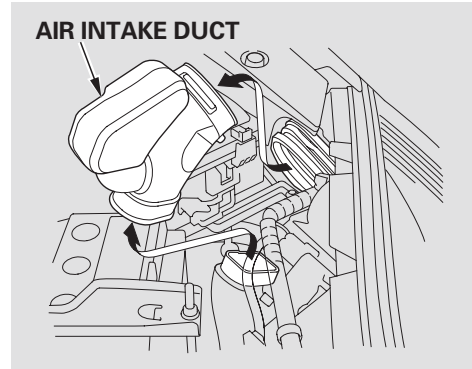
Halogen headlight bulbs get very hot when lit. Oil, perspiration, or a scratch on the glass can cause the bulb to overheat and shatter.

CONTINUED

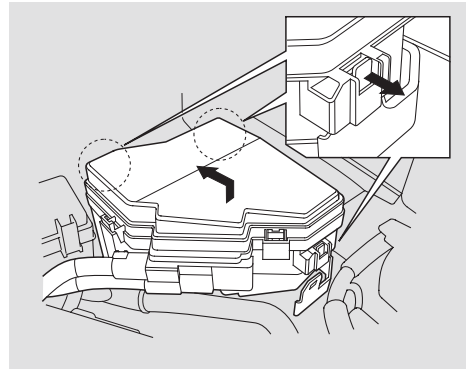
# Lights

## Low Beam Headlights

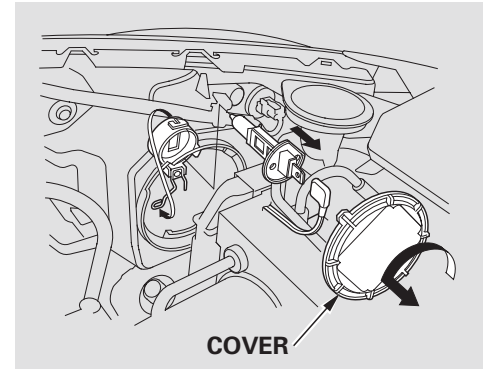
1. Open the bonnet.



*On diesel engine model*  
To change a bulb on the left side, remove the upper part of the air intake duct.



*On Petrol engine model*  
To change a bulb on the left side, remove the fuse box from its stay by pulling it out.

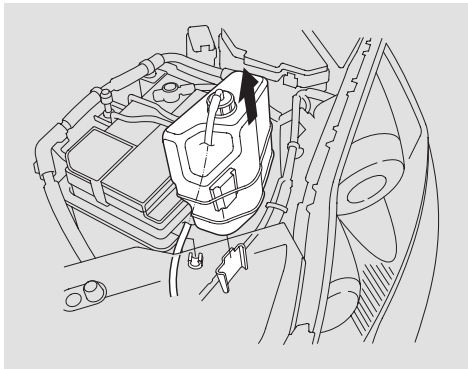


2. Remove the cover on the back of the headlight assembly by turning it anticlockwise.
3. Remove the electrical connector from the bulb by pulling the connector straight back.
4. Unclip the end of the hold-down wire from its slot. Pivot it out of the way, and remove the bulb.

5. Insert the new bulb into the hole, making sure the tabs are in their slots. Pivot the hold-down wire back in place, and clip the end into the slot.
6. Push the electrical connector onto the new bulb. Make sure it is connected securely.
7. Reinstall the cover over the back of the headlight assembly and turn it clockwise to lock it in place.
8. Turn on the headlights to test the new bulb.
9. *On the left side of diesel engine model*  
Reinstall the air intake duct securely.  
  
*On the left side of petrol engine model*  
Reinstall the fuse box in place securely.

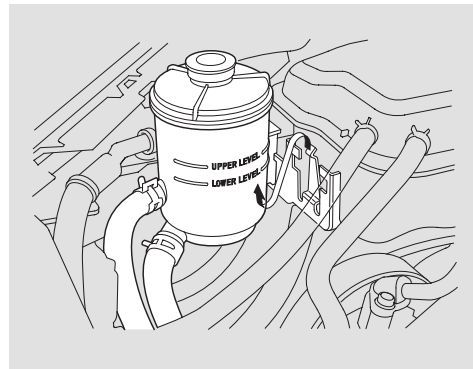
## ***High Beam Headlights***

1. Open the bonnet.



### *On petrol engine model*

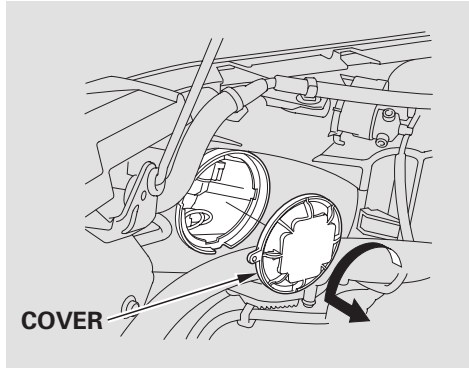
To change a bulb on the left side, remove the engine coolant reserve tank by pulling it out of its holder.



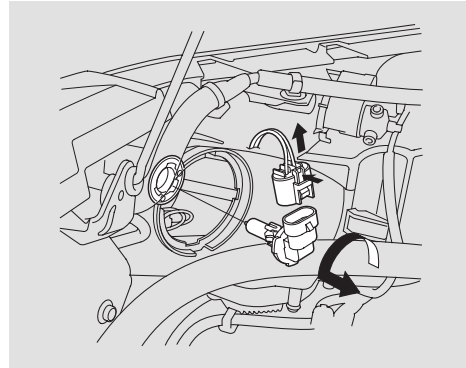
### *On diesel engine model*

To change a bulb on the right side, remove the power steering fluid tank from the stay.

*CONTINUED*



2. Remove the cover on the back of the headlight assembly by turning it anticlockwise.



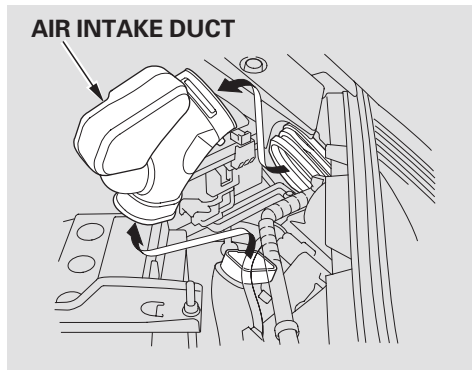
3. Remove the electrical connector from the bulb by pushing on the tab to unlock it, then slide the connector off the bulb.
4. Remove the bulb by turning it approximately one-quarter turn anticlockwise.

5. Install the new bulb, and turn it one-quarter turn clockwise to lock it in place.
6. Push the electrical connector back onto the bulb. Make sure it is on all the way.
7. Reinstall the cover over the back of the headlight assembly and turn it clockwise to lock in place.
8. Turn on the headlights to test the new bulb.

9. *On the left side of petrol engine model*  
Reinstall the coolant reserve tank.

*On the right side of diesel engine model*  
Reinstall the power steering reservoir tank.

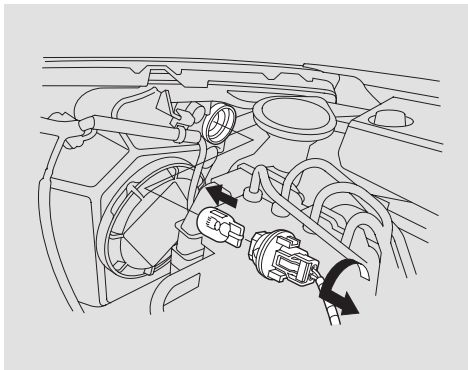
## Replacing a Front Turn Signal Light Bulb



1. Open the bonnet.

*On diesel engine model*

To change a bulb on the left side, remove the upper part of the air intake duct.



2. Remove the socket from the headlight assembly by turning it one-quarter turn anticlockwise.
3. Pull the bulb straight out of its socket. Push the new bulb straight into the socket until it bottoms.

4. Insert the socket back into the headlight assembly. Turn it clockwise to lock it in place.
5. Turn on the lights to make sure the new bulb is working.
6. *On the left side of diesel engine model*  
Reinstall the air intake duct securely.

## Replacing a Front Position Light Bulb

A front position light bulb is located underneath the high beam headlight bulb under the cover.

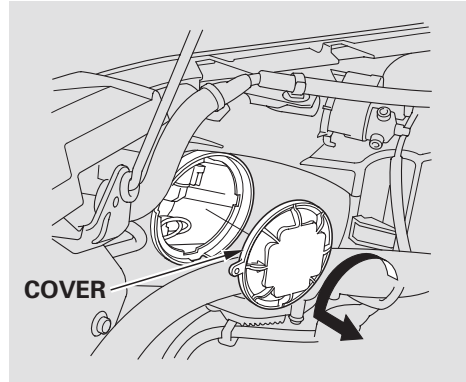
1. Open the bonnet.

*On petrol engine model*

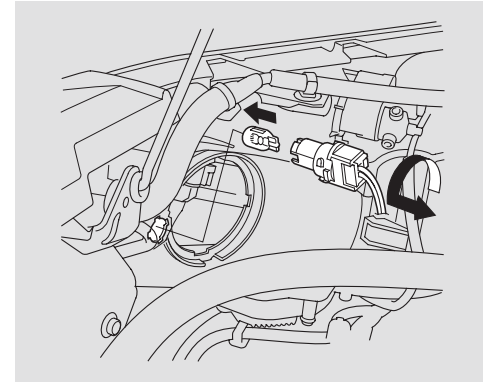
To remove a bulb on the left side, remove the engine coolant reserve tank (see page 431).

*On diesel engine model*

To change a bulb on the right side, remove the power steering fluid tank (see page 431).



2. Remove the cover on the back of the headlight assembly by turning it anticlockwise.

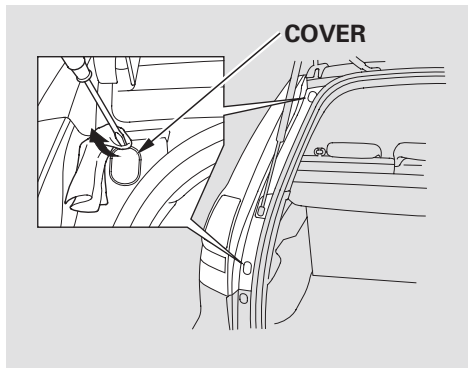


3. Remove the socket from the headlight assembly by turning it one-quarter turn anticlockwise.
4. Pull the bulb straight out of its socket. Push the new bulb straight into the socket until it bottoms.

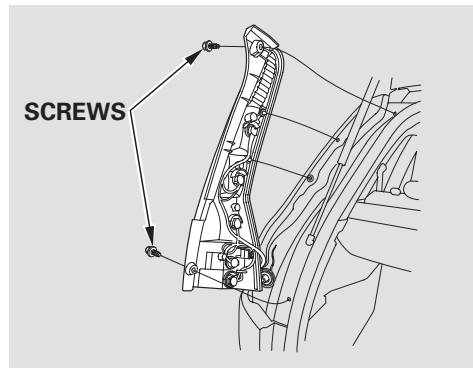
5. Insert the new bulb into the headlight assembly. Make sure it is on all the way.
6. Reinstall the cover over the back of the headlight assembly and turn it clockwise to lock in place.
7. Turn on the lights to make sure the new bulb is working.
8. *On the left side of petrol engine model*  
Reinstall the coolant reserve tank.

*On the right side of diesel engine model*  
Reinstall the power steering reservoir tank.

## Replacing Rear Bulbs



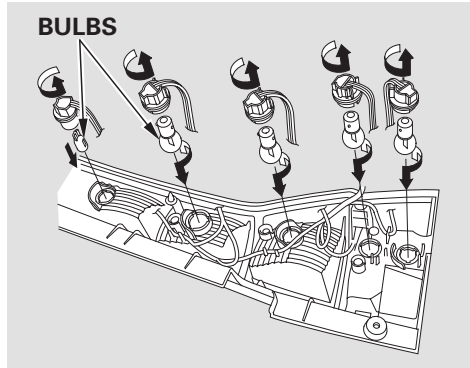
1. Open the tailgate. Place a cloth on the edge of the cover. Remove the covers by carefully prying on the edge with a small flat-tip screwdriver.



2. Use a Phillips-head screwdriver to remove the tail-light assembly mounting screw under each cover.
3. Pull the tail-light assembly out of the rear pillar.

CONTINUED





4. Determine which of the four bulbs is burned out: stop/tail-light, back-up light, turn signal, tail-light, or rear fog light (on the driver's side only).

5. Remove the socket for that bulb by turning it one-quarter turn anticlockwise.

6. *Except for tail-light bulb*  
Remove the bulb from the socket by pushing it in and turning the bulb anticlockwise until it unlocks.

#### *Tail-light bulb*

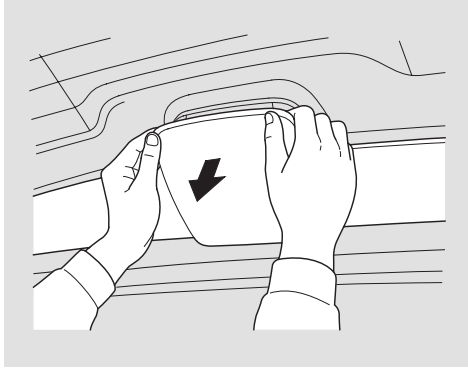
Pull the bulb straight out of its socket. Push the new bulb straight into the socket until it bottoms.

7. Reinstall the socket into the light assembly by turning it clockwise until it locks.

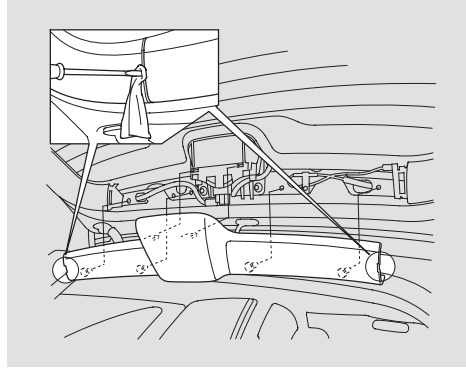
8. Turn on the lights to make sure the new bulb is working.

9. Align the clips on the tail-light assembly with the holes in the body, then push the tail-light assembly into place. Tighten the two mounting screws securely and reinstall the covers.

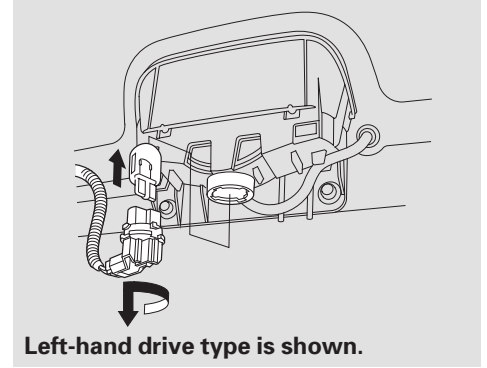
## Replacing a High-mount Brake Light Bulb



1. Open the tailgate.  
Unlatch the top of the cover by pulling back on it with hands.



2. Place a cloth on the side edge of the cover. Remove the cover by carefully prying on the edge with a small flat-tip screwdriver and pulling the cover off.



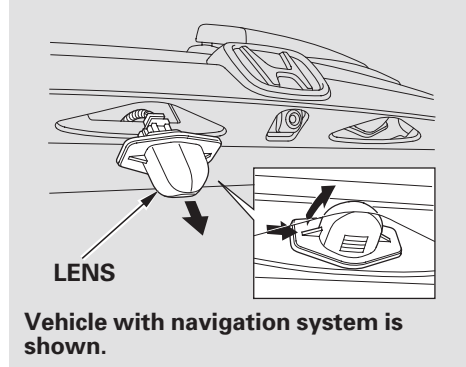
Left-hand drive type is shown.

3. Remove the socket from the light assembly by turning it one-quarter turn anticlockwise.

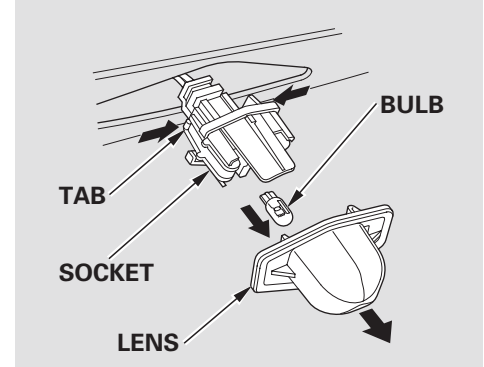
*CONTINUED*

4. Pull the bulb straight out of its socket. Push the new bulb straight into the socket until it bottoms.
5. Press the brake pedal to make sure the new bulb is working.
6. Put the socket back into the light assembly, and turn it clockwise to lock it in place.
7. Put the cover back on the light assembly. Push it in until it locks in place.

## Replacing a Rear Licence Plate Light Bulb



1. Open the tailgate. Remove the licence light assembly by pushing the left edge of the lens toward the right and pulling the assembly out.



2. Remove the lens by pushing the tabs.
3. Pull the bulb straight out of its socket. Push the new bulb in until it bottoms in the socket.

4. Turn on the position lights and check that the new bulb is working.
5. Put the lens back on the socket until it locks.
6. Slide the right side of the light assembly into the hole. Push on the left side to latch the assembly into place.

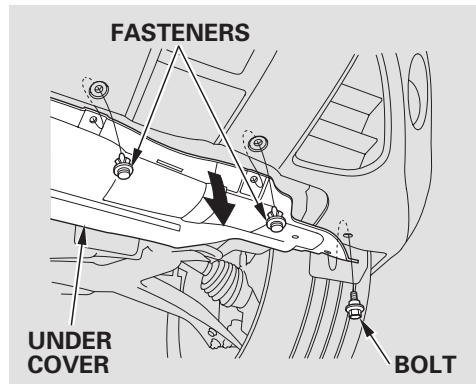
## Replacing a Front Fog Light Bulb (For some types)

Your vehicle uses halogen light bulbs. When replacing a bulb, handle it by its plastic case, and protect the glass from contact with your skin or hard objects. If you touch the glass, clean it with denatured alcohol and a clean cloth.

### NOTICE

Halogen light bulbs get very hot when lit. Oil, perspiration, or a scratch on the glass can cause the bulb to overheat and shatter.

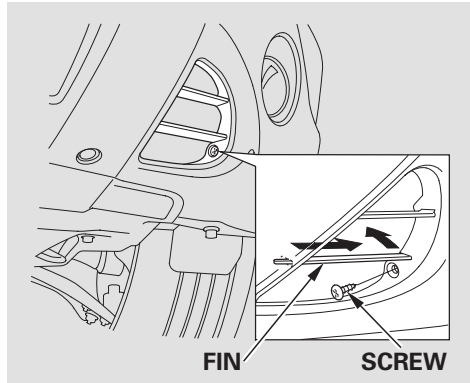
The front fog lights were properly aimed when your vehicle was new. If you regularly carry heavy items in the luggage area, readjustment may be required. Adjustment should be done by your dealer or other qualified technician.



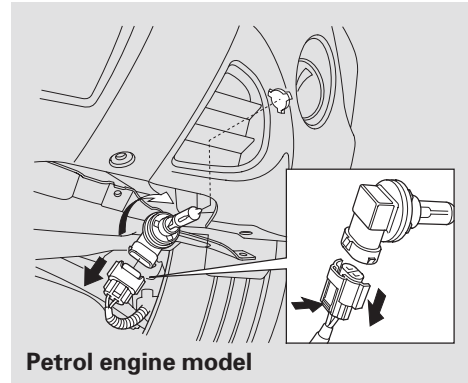
1. *On petrol engine model*  
Remove the mounting bolt with a wrench and remove the two fasteners with a flat-tip screwdriver.

Pull down the under cover from the bumper carefully.

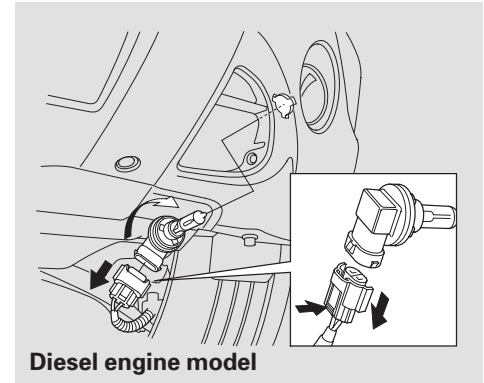
CONTINUED



*On diesel engine model*  
Remove the screw with a Phillips-head screwdriver, then remove the lower fin carefully from the air duct cover by pushing the fin outward.



2. Remove the electrical connector from the bulb by squeezing the connector to unlock the tab, then slide the connector off the bulb.



3. Remove the bulb by turning it approximately one-quarter turn anticlockwise.

4. Insert the new bulb into the hole and turn it one-quarter turn clockwise to lock it in place.
5. Push the electrical connector back onto the bulb. Make sure it is on all the way.
6. Turn on the front fog lights to test the new bulb.
7. *On petrol engine model*  
Reinstall the under cover and put the two fasteners back in place, then tighten the mounting bolt securely.

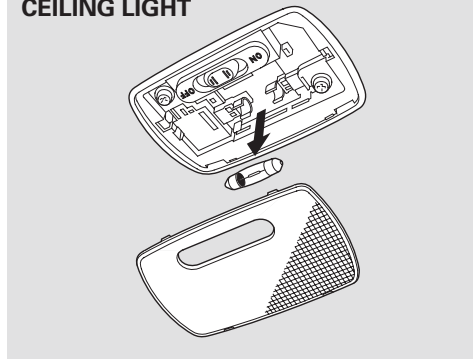
*On diesel engine model*

Reinstall the fin and tighten the screw securely.

## Replacing Bulbs in the Interior Lights

The ceiling light, spotlights, luggage area light, and vanity mirror lights come apart the same way, but they do not use the same type of bulbs.

### CEILING LIGHT

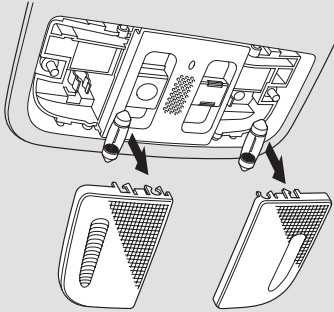


1. Remove the light assembly by carefully prying on the edge of the lens in the middle with a fingernail file or a small flat-tip screwdriver.

CONTINUED

# Lights

## SPOTLIGHTS

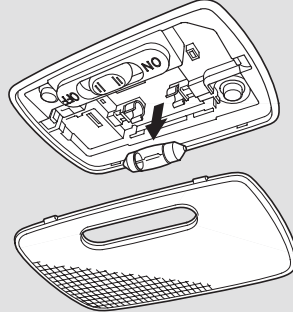


Ceiling light:  
Pry on the front edge of the lens  
near both sides.

Luggage area light:  
Pry on the side edge of the lens in  
the middle.

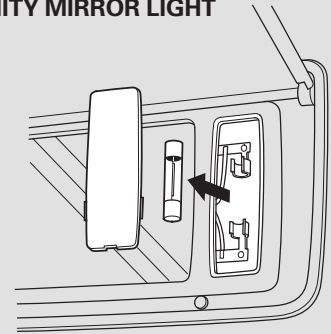
Spotlights:  
Pry on the inner edge of both  
spotlights.

## LUGGAGE AREA LIGHT



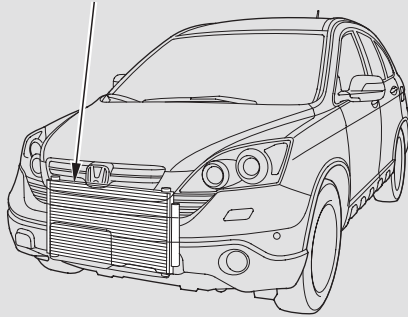
Vanity mirror light:  
Pry on the bottom edge of the lens.

## VANITY MIRROR LIGHT



2. Remove the bulb by pulling it straight out of its holder.
3. Push the new bulb into the holder.  
Snap the lens back in place.

## AIR CONDITIONING CONDENSER



Your vehicle's air conditioning is a sealed system. Any major maintenance, such as recharging, should be done by a qualified technician. You can do a couple of things to make sure the air conditioning works efficiently.

Periodically check the engine's radiator and air conditioning condenser for leaves, insects, and dirt stuck to the front surface. These block the air flow and reduce cooling efficiency. Use a light spray from a hose or a soft brush to remove them.

### NOTICE

The condenser and radiator fins bend easily. Only use a low-pressure spray or soft-bristle brush to clean them.

Run the air conditioning at least once a week during the cold weather months. Run it for at least 10 minutes while you are driving at a steady speed with the engine at normal operating temperature. This circulates the lubricating oil contained in the refrigerant.

If the air conditioning does not get as cold as before, have your dealer check the system. Recharge the system with Refrigerant HFC-134a (R-134a).

### NOTICE

Whenever you have the air conditioning system serviced, make sure the service facility uses a refrigerant recycling system. This system captures the refrigerant for reuse. Releasing refrigerant into the atmosphere can damage the environment.



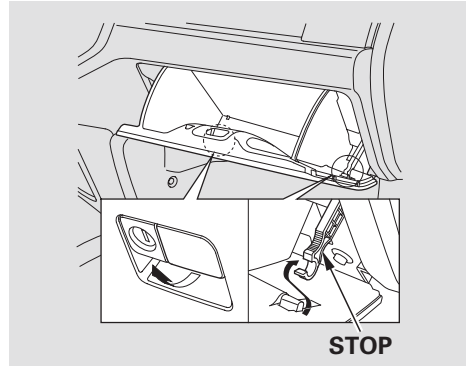
# Dust and Pollen Filter

This filter removes the dust and pollen that is brought in from the outside through the heating and cooling system/climate control system.

This filter should be replaced during scheduled maintenance. On EU models, refer to the maintenance schedule in the Service Book that came with your vehicle. On other models, see the maintenance schedules in this owner's manual.

The dust and pollen filter should be replaced at short intervals if you drive primarily in urban areas that have high concentrations of soot in the air from industry and diesel-powered vehicles. Replace it more often if airflow from the heating and cooling system/climate control system becomes less than usual.

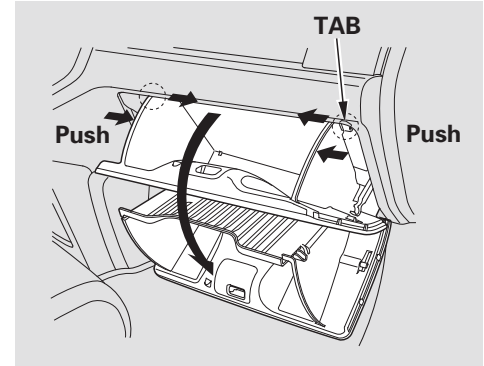
## Replacement



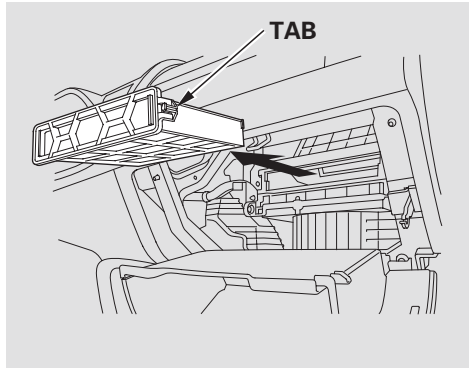
The dust and pollen filter is located behind the glove box.

To replace it:

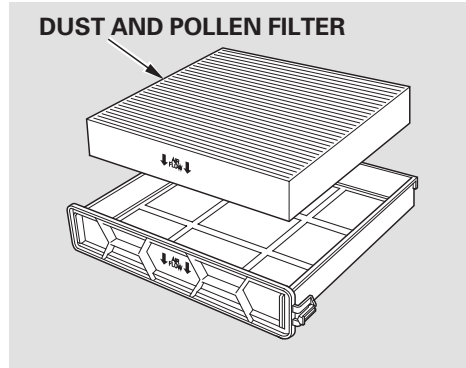
1. To access the filter, open the front passenger's door.
2. Open the glove box.
3. Push the stop on the passenger's side of the glove box to detach it from the glove box.



4. Disengage the two tabs by pushing on each side panel.
5. Pivot the glove box out of the way.



6. Remove the dust and pollen filter case by pushing in on the lock tabs, then pulling the case toward you.



7. Remove the filter from the case.
8. Install the new filter in the case. Make sure the arrows of the “AIR FLOW” marks on the filter point to the airflow direction (downward).

9. Install the case. Make sure both tabs “click” into place.
10. Pivot the glove box up into position. Install the tabs back in place.

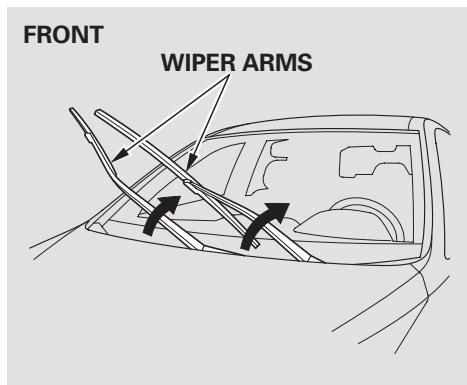
*On some models*  
Install the glove box stop.

11. Close the glove box.

If you are not sure how to replace the dust and pollen filter, have it replaced by your dealer.

# Wiper Blades

Check the condition of the wiper blades at least every six months. Replace them if you find signs of cracking in the rubber, areas that are getting hard, or if they leave streaks and unwiped areas when used.

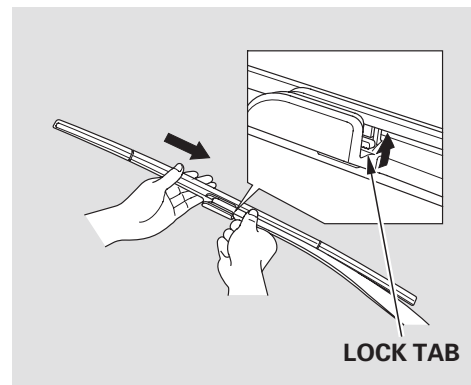


To replace a front wiper blade:

1. Raise each wiper arm off the windscreen, lifting the driver's side first, then the passenger's side.

## NOTICE

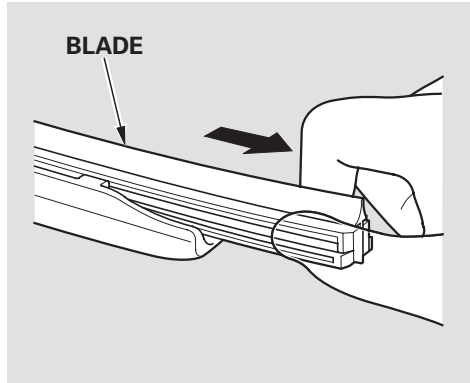
Do not open the bonnet when the wiper arms are raised, or you will damage the bonnet and the wiper arms.



2. Disconnect the blade assembly from the wiper arm:

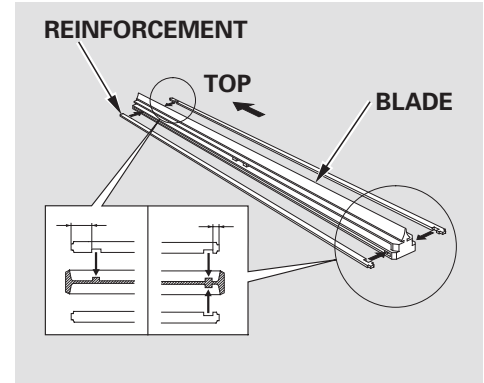
- Press and hold the lock tab.
- Slide the blade assembly toward the lock tab until it releases from the wiper arm.

When replacing a wiper blade, make sure not to drop the wiper blade or wiper arm down on the windscreen.



3. Remove the blade from its holder by grasping the tabbed end of the blade. Pull firmly until the tabs come out of the holder.

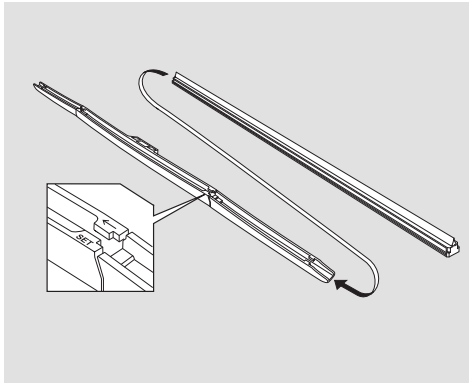
4. Examine the new wiper blades. If they have no plastic or metal reinforcement along the back edge, remove the metal reinforcement strips from the old wiper blade, and install them in the slots along the edge of the new blade.



Make sure the three rubber tabs inside the blade fit to each notch of the reinforcement, as shown.

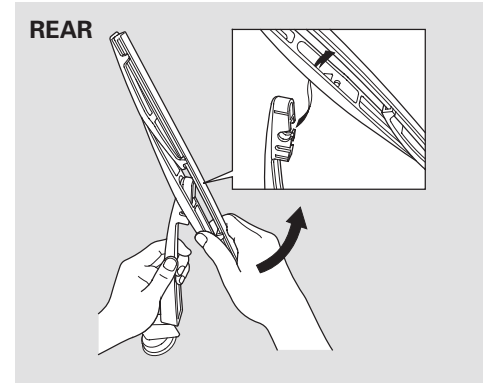
*CONTINUED*

# Wiper Blades



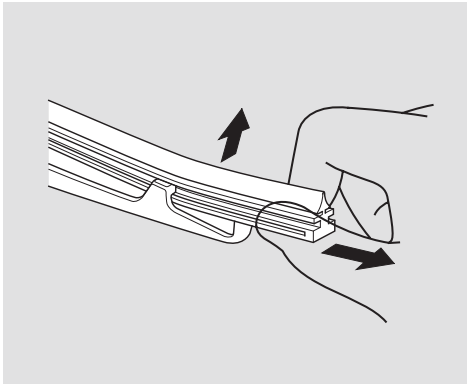
5. Place the top of the wiper blade on the end of the blade assembly, and slide the blade onto the assembly in the direction pointed to by the arrow. Make sure the blade is completely installed.

6. Slide the wiper blade assembly onto the wiper arm. Make sure it locks in place.
7. Lower the wiper arm down against the windscreen. Lower the passenger's side first, then the driver's side.



To replace a rear wiper blade:

1. Raise the wiper arm off the rear window.
2. Disconnect the blade assembly from the wiper arm by pivoting the blade assembly upward.



3. Pull one end of the blade out from the holder.  
Slide the blade out of the holder.
4. Examine the new wiper blades. If they have no plastic or metal reinforcement along the back edge, remove the metal reinforcement strips from the old wiper blade, and install them in the slots along the edge of the new blade.

5. Slide the new blade into the holder. Make sure it is engaged in the slot along its full length. Insert both ends of the blade into the holder. Make sure they are secure.
6. Install the wiper blade assembly onto the wiper arm. Make sure it locks in place.
7. Lower the wiper arm against the windscreen.

To safely operate your vehicle, your tyres must be the proper type and size, in good condition with adequate tread, and correctly inflated.

The following pages give more detailed information on how to take care of your tyres and what to do when they need to be replaced.

## WARNING

**Using tyres that are excessively worn or improperly inflated can cause a crash in which you can be seriously hurt or killed.**

**Follow all instructions in this owner's manual regarding tyre inflation and maintenance.**

## **Inflation Guidelines**

Keeping the tyres properly inflated provides the best combination of handling, tread life, and riding comfort.

- Underinflated tyres wear unevenly, adversely affect handling and fuel economy, and are more likely to fail from being overheated.
- Overinflated tyres can make your vehicle ride more harshly, are more prone to damage from road hazards, and wear unevenly.

We recommend that you visually check your tyres every day. If you think a tyre might be low, check it immediately with a tyre gauge.

Use a gauge to measure the air pressure in each tyre at least once a month. Even tyres that are in good condition may lose 10 to 20 kPa (0.1 to 0.2 kgf/cm<sup>2</sup>, 1 to 2 psi) per month.

Remember to check the spare tyre at the same time.

Check the air pressure when the tyres are cold. This means the vehicle has been parked for at least three hours, or driven less than 1.6 km (1 mile). Add or release air, if needed, to match the recommended cold tyre pressures on a label on the driver's doorjamb.

If you check air pressures when the tyres are hot [driven for several kilometres (miles)], you will see readings 30 to 40 kPa (0.3 to 0.4 kgf/cm<sup>2</sup>, 4 to 6 psi) higher than the cold readings. This is normal. Do not let air out to match the recommended cold air pressure. The tyre will be underinflated.

You should get your own tyre pressure gauge and use it whenever you check your tyre pressures. This will make it easier for you to tell if a pressure loss is due to a tyre problem and not due to a variation between gauges.

While tubeless tyres have some ability to self-seal if they are punctured, you should look closely for punctures if a tyre starts losing pressure.

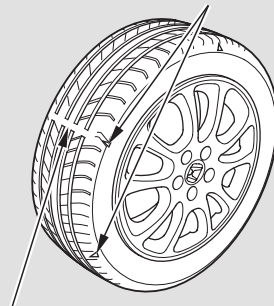
For convenience, the recommended cold air pressures and tyre sizes are on a label on the driver's doorjamb.

## Tyre Inspection

Every time you check inflation, you should also examine the tyres for damage, foreign objects, and wear. You should look for:

- Bumps or bulges in the tread or side of the tyre. Replace the tyre if you find either of these conditions.
- Cuts, splits, or cracks in the side of the tyre. Replace the tyre if you can see fabric or cord.
- Excessive tread wear.

### INDICATOR LOCATION MARKS



### TREAD WEAR INDICATORS

Your tyres have wear indicators molded into the tread. When the tread wears down, you will see a band 12.7 mm (1/2 inch) wide across the tread. This shows there is less than 1.6 mm (1/16 inch) of tread left on the tyre.

A tyre this worn gives very little traction on wet roads. You should replace the tyre if you can see three or more tread wear indicators.



# Tyres

## Tyre Maintenance

In addition to proper inflation, correct wheel alignment helps to decrease tyre wear. If you find a tyre is worn unevenly, have your dealer check the wheel alignment.

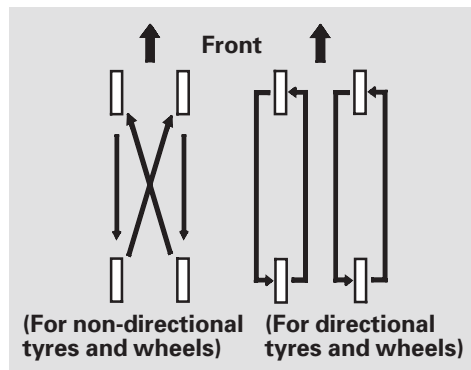
Have your dealer check the tyres if you feel a consistent vibration while driving. A tyre should always be rebalanced if it is removed from the wheel. When you have new tyres installed, make sure they are balanced. This increases riding comfort and tyre life. For best results, have the installer perform a dynamic balance.

### NOTICE

*For vehicles equipped with aluminium wheels:*

Improper wheel weights can damage your vehicle's aluminium wheels. Use only genuine Honda wheel weights for balancing.

## Tyre Rotation



To help increase tyre life and distribute wear more evenly, rotate the tyres every 10,000 km (6,250 miles). Move the tyres to the positions shown in the chart each time they are rotated. The above illustration shows how the tyres should be rotated on the vehicles equipped with a compact spare tyre.

If you purchase directional tyres, rotate only front-to-back. When the tyres are rotated, make sure the air pressures are checked.

### Replacing Tyres and Wheels

Replace your tyres with radial tyres of the same size, load range, speed rating, and maximum cold tyre pressure rating (as shown on the tyre's sidewall).

Mixing radial and bias-ply tyres on your vehicle can reduce braking ability, traction, and steering accuracy. Using tyres of a different size or construction can cause the ABS and vehicle stability assist system (VSA) to work inconsistently.

The ABS works by comparing the speed of the wheels. When replacing tyres, use the same size originally supplied with the vehicle. Tyre size and construction can affect wheel speed and may cause the system to work.

It is best to replace all four tyres at the same time. If that is not possible or necessary, replace the two front tyres or two rear tyres as a pair. Replacing just one tyre can seriously affect your vehicle's handling.

If you ever replace a wheel, make sure that the wheel's specifications match those of the original wheels. Consult your dealer before replacing tyres.

Replacement wheels are available at your dealer.

### WARNING

**Installing improper tyres on your vehicle can affect handling and stability. This can cause a crash in which you can be seriously hurt or killed.**

**Always use the size and type of tyres recommended in the tyre information label on your vehicle.**

# Tyres

---

## Wheels and Tyres

Wheels:

17 x 6 1/2J

18 x 7J

Tyres:

225/65R17 102T

225/60R18 100H

The sizes of wheels and tyres installed on your vehicle vary depending on models.

See the tyre information label on the driver's doorjamb or ask your dealer for information on the proper size of the tyres on your vehicle.

## Winter Tyres

Because of the limited winter qualification of summer tyres for winter use we recommend the use of winter tyres (M+S tyres) on snowy and icy roads. If M+S tyres are installed, all four wheels should be equipped to insure safe driving. Use only tyres of the same brand with the same profile. Pay attention to the tyre size, load capacity and speed class when buying.

Install the winter tyres according to the remarks in the registration paper. According to the EEC Directive for tyres, when winter tyres are used, it is necessary to affix a sticker with the allowable max. speed of the winter tyres clearly in the field of view of the driver, if the designed max. speed of vehicle is higher than the allowed max. speed of winter tyre. A sticker is obtainable from your tyre dealer. If any questions arise, please discuss these with one of our dealers.

## **Tyre Chains**

Use snow chains only in an emergency or when they are legally required for driving through a certain area. Install the snow chains on the front wheels. Use greater caution when driving with snow chains on snow or ice. They may have less-predictable handling than good winter tyres without chains. Some snow chains may damage the vehicle's tyres, wheels, suspension and body. Choose only fine limbed chains which guarantee enough free space between the tyre and the other vehicle parts in the wheelhouse. Pay attention to the sectional assembly view and other directions from the chain manufacturer. Consult your dealer before purchasing any type of chains for your vehicle.

When you have installed tyre chains, drive at less than 30 km/h (19 mph) on roads covered with snow or ice. To minimize tyre and chain wear, avoid driving on cleared roads with chains installed.

# Tyres

---

## For EU models

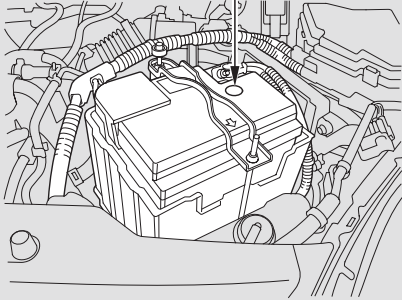
Use only the specified chains or their equivalents for your tyres as listed.

Original Tyre Size * <sup>1</sup>	Chain Type
225/65R17	RUD DISK 4715454 or equivalents
225/60R18	Not Available

\* 1: Original tyre is mentioned on the tyre information label on the driver's doorjamb.

\* 2: On 225/60R18 tyres, you cannot install any type of tyre chains. If you have to use tyre chains, replace the original tyres with the optional 225/65R17 tyre.

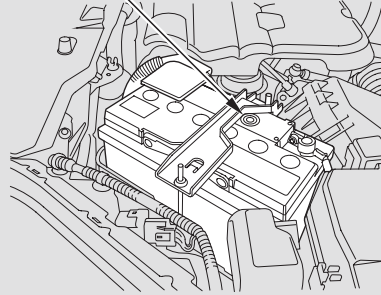
## TEST INDICATOR WINDOW



2.0 L engine model

Check the condition of the battery monthly by looking at the test indicator window. The label on the battery explains the test indicator's colours.

## TEST INDICATOR WINDOW



2.2 L engine model (diesel)

Check the terminals for corrosion (a white or yellowish powder). To remove it, cover the terminals with a solution of baking soda and water. It will bubble up and turn brown. When this stops, wash it off with plain water. Dry off the battery with a cloth or paper towel. Coat the terminals with grease to help prevent future corrosion.

If additional battery maintenance is needed, see your dealer or a qualified technician.

If you need to connect the battery to a charger, disconnect both cables to prevent damaging your vehicle's electrical system. Always disconnect the negative (–) cable first, and reconnect it last.

*CONTINUED*

## **⚠ WARNING**

**The battery gives off explosive hydrogen gas during normal operation. A spark or open flame can cause the battery to explode with enough force to kill or seriously hurt you.**

**Keep all sparks, open flames, and smoking materials away from the battery.**

**Wear protective clothing and a face shield, or have a skilled technician do the battery maintenance.**

## **⚠ WARNING**

**The battery contains sulfuric acid (electrolyte) which is highly corrosive and poisonous.**

**Getting electrolyte in your eyes or on your skin can cause serious burns. Wear protective clothing and eye protection when working on or near the battery.**

**Swallowing electrolyte can cause fatal poisoning if immediate action is not taken.**

**KEEP OUT OF THE REACH OF CHILDREN**

## **Emergency Procedures**

**Eyes** — Flush with water from a cup or other container for at least 15 minutes. (Water under pressure can damage the eye.) Call a physician immediately.

**Skin** — Remove contaminated clothing. Flush the skin with large quantities of water. Call a physician immediately.

**Swallowing** — Drink water or milk. Call a physician immediately.

If your vehicle's battery is disconnected or goes dead, the audio system may disable itself. The next time you turn on the radio you will see "ENTER CODE" in the frequency display. Use the preset buttons to enter the code (see page 276).

## Vehicle Storage

If you need to park your vehicle for an extended period (more than 1 month), there are several things you should do to prepare it for storage. Proper preparation helps prevent deterioration and makes it easier to get your vehicle back on the road. If possible, store your vehicle indoors.

- Fill the fuel tank.
- Change the engine oil and filter.
- Wash and dry the exterior completely.
- Clean the interior. Make sure the carpeting, floor mats, etc., are completely dry.
- Leave the parking brake off. Put the transmission in reverse (manual) or Park (automatic).

- Block the rear wheels.
- If the vehicle is to be stored for a longer period, it should be supported on jackstands so the tyres are off the ground.
- Leave one window open slightly (if the vehicle is being stored indoors).
- Disconnect the battery.
- Support the front and rear wiper blade arms with a folded towel or rag so they do not touch the windscreen.
- To minimize sticking, apply a silicone spray lubricant to all door and tailgate seals. Also, apply a vehicle body wax to the painted surfaces that mate with the door and tailgate seals.

*CONTINUED*



# Vehicle Storage

---

- Cover the vehicle with a “breathable” cover, one made from a porous material such as cotton. Non-porous materials, such as plastic sheeting, trap moisture, which can damage the paint.
- If possible, periodically run the engine until it reaches full operating temperature (the cooling fans cycle on and off twice). Preferably, do this once a month.


## *On Diesel models only*

- After you parked the vehicle for an extended period, water stays in the fuel system and the engine will not start. In this case, the fuel filter may be needed to drain off water (see **Draining Water** on page 426 ).

If you store your vehicle for 1 year or longer, have your dealer perform the maintenance inspections called for in the 2 years/40,000 km (25,000 miles) maintenance schedule\* as soon as you take it out of storage (see page 399 ). The replacements called for in the maintenance schedule are not needed unless the vehicle has actually reached that time or distance.

\*: For EU countries, see the Service Book.

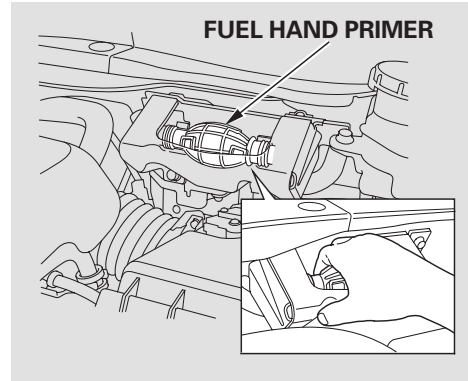
## Priming the Fuel System (Diesel models only)

If your vehicle runs out of fuel, the malfunction indicator lamp will come on, or the symbol “  ” will appear on the multi-information display, and the engine will not restart after refueling the fuel tank with the appropriate fuel (see pages 332 and 333 ).

On vehicles with information display, the PGM-FI indicator will come on.

In this case, air may have entered the fuel system. The system requires priming to start the engine. Prime the fuel system as follows:

1. Refuel the fuel tank (minimum 5 litre).
2. Open the bonnet.



3. Squeeze the fuel hand primer until you feel a strong resistance.

### NOTICE

Do not press the engine cover forcibly. This may damage the engine cover and component parts.

*CONTINUED*

# Vehicle Storage

---

4. Start the engine (see page 353 ). If the engine does not start right away, do not hold the ignition switch for more than 10 seconds at a time. This will damage the fuel pump and the engine starter.
5. If the engine fails to start, return to step 3.
6. After the engine restarts, press the accelerator pedal slightly and hold it at approximately 1,500 rpm for about 30 seconds. This will complete the air bleeding in the fuel system.

7. The engine runs normally, but the malfunction indicator lamp or the PGM-FI warning remains on.

To turn off the indicator, restart and turn off the engine at least three times at intervals of approximately 30 seconds.

If this procedure is performed during normal driving, the malfunction indicator lamp will be turned off. On vehicles with multi-information, the PGM-FI warning will also go out. On vehicles with information display, the PGM-FI indicator will also go out.

If you are not sure how to bleed the air, contact your dealer.

If the engine fails to restart after priming the fuel system, there is a problem in the fuel system. You should have the vehicle inspected by your dealer.

Regular cleaning and polishing of your vehicle helps to keep it “new” looking. This section gives you information on how to clean your vehicle and preserve its appearance: the paint, brightwork, wheels and interior. Also included are several things you can do to help prevent corrosion.

Exterior Care.....	464
Washing .....	464
Waxing .....	465
Aluminium Wheels .....	465
Audio Antenna .....	466
Paint Touch-up.....	466
Interior Care.....	467
Carpeting .....	467
Floor Mats .....	467
Fabric .....	468
Vinyl .....	468
Leather.....	468
Windows .....	468
Seat Belts.....	469
Air Fresheners.....	469
Corrosion Protection.....	470

# Exterior Care

---

## Washing

Frequent washing helps preserve your vehicle's beauty. Dirt and grit can scratch the paint, while tree sap and bird droppings can permanently ruin the finish.

Wash your vehicle in a shady area, not in direct sunlight. If the vehicle is parked in the sun, move it into the shade and let the exterior cool down before you start.

Only use the solvents and cleaners recommended in this owner's manual.

### NOTICE

Chemical solvents and strong cleaners can damage the paint, metal, and plastic on your vehicle.

- Rinse the vehicle thoroughly with cool water to remove loose dirt.
- Fill a bucket with cool water. Mix in a product made especially for car washing.
- Wash the vehicle using water and detergent solution and a soft-bristle brush, sponge, or soft cloth. Start at the top and work your way down. Rinse frequently.
- Check the body for road tar, tree sap, etc. Remove these stains with tar remover or turpentine. Rinse it off immediately so it does not harm the finish. Remember to re-wax these areas, even if the rest of the vehicle does not need waxing.
- When you have washed and rinsed the whole exterior, dry it with a chamois or soft towel. Letting it air-dry will cause dulling and water spots.

As you dry the vehicle, inspect it for chips and scratches that could allow corrosion to start. Repair them with touch-up paint (see page 466 ).

## Waxing

Always wash and dry the whole vehicle before waxing it. You should wax your vehicle, including the metal trim, whenever water sits on the surface in large patches. It should form into beads or droplets after waxing.

You should use a quality liquid or paste wax. Apply it according to the instructions on the container. In general, there are two types of products:

**Waxes** — A wax coats the finish and protects it from damage by exposure to sunlight, air pollution, etc. You should use a wax on your vehicle when it is new.

**Polishes** — Polishes and cleaner/waxes can restore the shine to paint that has oxidized and lost some of its shine. They normally contain mild abrasives and solvents that remove the top layer of the finish. You should use a polish on your vehicle if the finish does not have its original shine after using a wax.

Cleaning tar, insects, etc. with removers also takes off the wax. Remember to re-wax those areas, even if the rest of the vehicle does not need waxing.

## Aluminium Wheels (For some types)

Clean your vehicle's aluminium alloy wheels as you do the rest of the exterior. Wash them with the same solution, and rinse them thoroughly.

The wheels have a protective clearcoat that keeps the aluminium from corroding and tarnishing. Using harsh chemicals, including some commercial wheel cleaners or stiff brushes, can damage this clear-coat. Only use a mild detergent and soft brush or sponge to clean the wheels.

## Audio Antenna

### NOTICE

Your vehicle is equipped with an antenna at the rear of the roof. Before using a “drive-through” car wash, remove the antenna by unscrewing it by hand. This prevents the antenna from being damaged by the car wash brushes.

## Paint Touch-up

Your dealer has touch-up paint to match your vehicle’s colour. The colour code is printed on a plate on the front doorjamb on the left side. Take this code to your dealer so you are sure to get the correct colour.

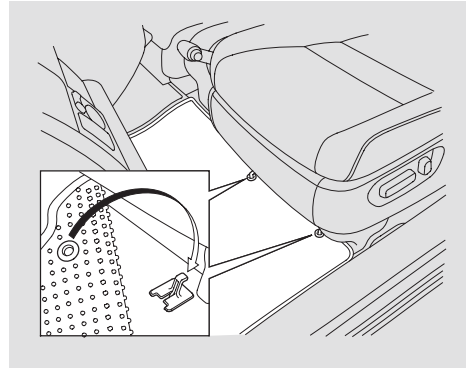
Inspect your vehicle frequently for chips or scratches in the paint. Repair them right away to prevent corrosion of the metal underneath. Use the touch-up paint only on small chips and scratches. More extensive paint damage should be repaired by a professional.

## **Carpeting**

Vacuum the carpeting frequently to remove dirt. Ground-in dirt will make the carpet wear out faster.

Periodically shampoo the carpet to keep it looking new. Use one of the foam-type carpet cleaners on the market. Follow the instructions that come with the cleaner, applying it with a sponge or soft brush. Keep the carpeting as dry as possible by not adding water to the foam.

## **Floor Mats (Optional)**



The driver's floor mat that came with your vehicle hooks over the floor mat anchors. This keeps the floor mat from sliding forward and possibly interfering with the pedals.

If you remove the driver's floor mat, make sure to re-anchor it when you put it back in your vehicle.

If you use non-Honda floor mats, make sure they fit properly and that they can be used with the floor mat anchors. Do not put additional floor mats on top of an anchored mat.



## Fabric

Vacuum dirt and dust out of the material frequently. For general cleaning, use a solution of mild soap and lukewarm water, letting it air dry. To clean off stubborn spots, use a commercially-available fabric cleaner. Test it on a hidden area of the fabric first, to make sure it does not bleach or stain the fabric. Follow the instructions that come with the cleaner.

## Vinyl

Remove dirt and dust with a vacuum cleaner. Wipe the vinyl with a soft cloth dampened in a solution of mild soap and water. Use the same solution with a soft-bristle brush on more difficult spots. You can also use commercially-available spray or foam-type vinyl cleaners.

## Leather (For some types)

Vacuum dirt and dust from the leather frequently. Pay particular attention to the pleats and seams. Clean the leather with a soft cloth dampened with clear water, then buff it with a clean, dry cloth. If further cleaning is needed, use a soap specifically for leather, such as saddle soap. Apply this soap with a damp, soft cloth. Wipe down and buff as described above.

If you use a leather cleaner, wipe it off quickly with a soft and dry cloth. Never leave a cloth soaked with leather cleaner on any part of the interior. If left for a long time, some leather cleaners may cause discolouration or cracking of interior trim or fabric.

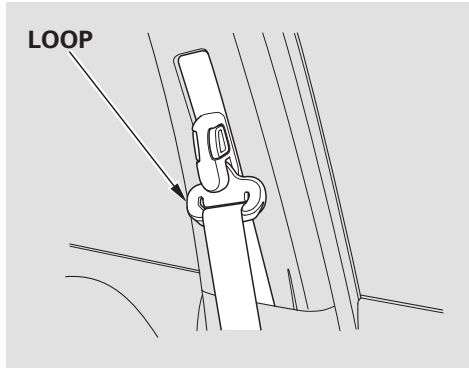
## Windows

Clean the windows, inside and out, with a commercially-available glass cleaner. You can also use a mixture of one part white vinegar to ten parts water. This will remove the haze that builds up on the inside of the windows. Use a soft cloth or paper towels to clean all glass and clear plastic surfaces.

### NOTICE

The rear window demister wires are bonded to the inside of the glass. Wiping vigorously up-and-down can dislodge and break the demister wires. When cleaning the rear window, use gentle pressure and wipe side-to-side.

## Seat Belts



If your seat belts get dirty, use a soft brush with a mixture of mild soap and warm water to clean them. Do not use bleach, dye, or cleaning solvents. Let the belts air dry before you use the vehicle.

Dirt build-up in the loops of the seat belt anchors can cause the belts to retract slowly. Wipe the insides of the loops with a clean cloth dampened in mild soap and warm water or isopropyl alcohol.

## Air Fresheners

If you want to use an air freshener/deodorizer in the interior of your vehicle, it is best to use a solid type. Some liquid air fresheners contain chemicals that may cause parts of the interior trim and fabric to crack or discolour.

If you use a liquid air freshener, make sure you fasten it securely so it does not spill as you drive.

# Corrosion Protection

---

Two factors normally contribute to causing corrosion in your vehicle:

1. Moisture trapped in body cavities. Dirt and road salt that collects in hollows on the underside of the car stays damp, promoting corrosion in that area.
2. Removal of paint and protective coatings from the exterior and underside of the vehicle.

Many corrosion-preventive measures are built into your vehicle. You can help keep your vehicle from corroding by performing some simple periodic maintenance:

- Repair chips and scratches in the paint as soon as you discover them.
- Inspect and clean out the drain holes in the bottom of the doors and body.
- Check the floor coverings for dampness. Carpeting and floor mats may remain damp for a long time, especially in winter. This dampness can eventually cause the floor panels to corrode.

- Use a high-pressure spray to clean the underside of your vehicle. This is especially important in areas that use road salt in winter. It is also a good idea in humid climates and areas subject to salty air. Be careful of the ABS wheel sensors and wiring at each wheel.
- Have the corrosion-preventive coatings on the underside of your vehicle inspected and repaired periodically.

This section covers the more common problems that motorists experience with their vehicles. It gives you information about how to safely evaluate the problem and what to do to correct it. If the problem has stranded you on the side of the road, you may be able to get going again. If not, you will also find instructions on getting your vehicle towed.

Compact Spare Tyre.....	472	Fuses Locations	
Changing a Flat Tyre .....	473	(Petrol models) .....	517
Honda TRK .....	479	Fuses Locations	
If the Engine Won't Start.....	494	(Diesel models).....	519
Jump Starting .....	496	Emergency Towing .....	521
If the Engine Overheats			
(Petrol models) .....	499		
If the Engine Overheats			
(Diesel models).....	501		
Low Oil Pressure Indicator			
(Red) .....	503		
Oil Level Indicator (Amber).....	504		
Oil Level Indicator (On the			
multi-information display) .....	505		
Charging System Indicator.....	507		
Malfunction Indicator Lamp			
(Petrol models) .....	508		
Malfunction Indicator Lamp			
(Diesel models).....	509		
PGM-FI Indicator			
(Diesel models).....	510		
PGM-FI Warning			
(Diesel models).....	511		
Brake System Indicator .....	512		
Fuses .....	513		

## Compact Spare Tyre (For some types)

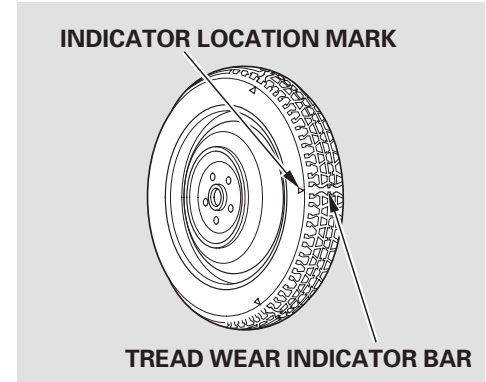
Use the compact spare tyre as a temporary replacement only. Get your regular tyre repaired or replaced, and put it back on your vehicle as soon as you can.

Check the inflation pressure of the compact spare tyre every time you check the other tyres. It should be inflated to:

420 kPa (4.2 kgf/cm<sup>2</sup> , 60 psi)

Follow these precautions:

- Never exceed 80 km/h (50 mph).
- This tyre gives a harsher ride and less traction on some road surfaces. Use greater caution while driving.
- Do not mount snow chains on the compact spare tyre.
- Do not use your compact spare tyre on another vehicle unless it is the same make and model.
- Do not use more than one compact spare tyre at the same time.
- Do not use the compact spare tyre if you are towing a trailer.



Replace the tyre when you can see the tread wear indicator bars. The replacement should be the same size and design tyre, mounted on the same wheel. The spare tyre is not designed to be mounted on a regular wheel, and the spare wheel is not designed for mounting a regular tyre.

## *On vehicles with spare tyre*

If you have a flat tyre while driving, stop in a safe place to change it. Drive slowly along the shoulder until you get to an exit or an area that is far away from the traffic lanes.

## NOTICE

Use the jack that came with your vehicle. If you try to raise another vehicle with this jack or use another jack to raise your vehicle, the vehicle or jack can be damaged.

## *On vehicles with Honda TRK*

Your vehicle is equipped with the tyre sealant kit instead of the spare tyre. This kit is available for easy repair of a flat tyre (see page 479 ).

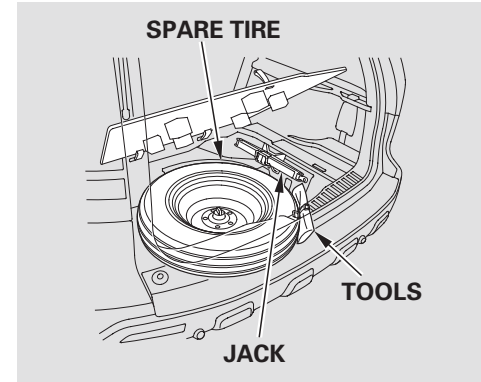
## **⚠ WARNING**

**The vehicle can easily roll off the jack, seriously injuring anyone underneath.**

**Follow the directions for changing a tyre exactly, and never get under the vehicle when it is supported only by the jack.**

1. Park the vehicle on firm, level, and non-slippery ground. Put the transmission in reverse. Apply the parking brake.

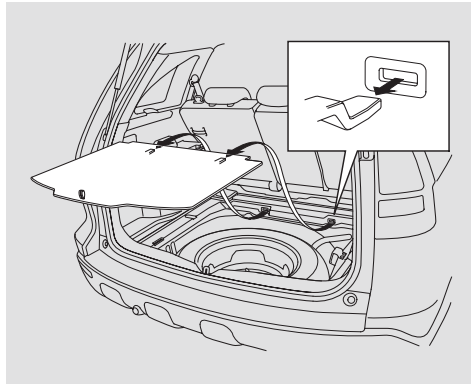
If you are towing a trailer, unhitch the trailer.



2. Turn on the hazard warning indicators, and turn the ignition switch to the LOCK (0) position. Have all the passengers get out of the vehicle while you change the tyre.

CONTINUED

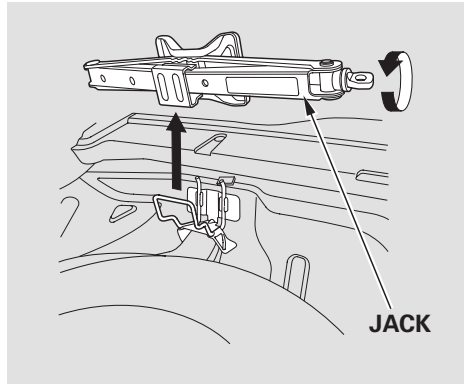
# Changing a Flat Tyre



3. Open the tailgate. Raise the luggage area floor lid by lifting it up with the strap, then remove the lid.

When you store the flat tyre in the spare tyre well, do not reinstall the luggage area floor lid forcibly. This will damage the tabs on the lid.

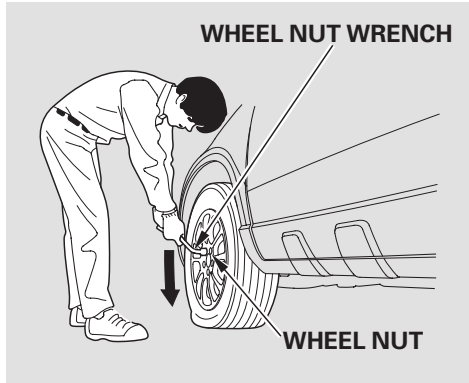
4. Take the tool kit out of the spare tyre well.



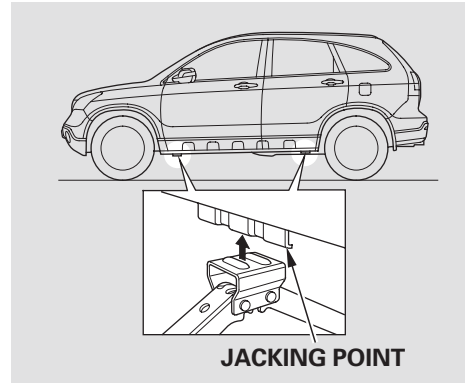
5. Take the jack out of the spare tyre area.

Turn the jack's end bracket anticlockwise to loosen it, then remove the jack by lifting it straight up.

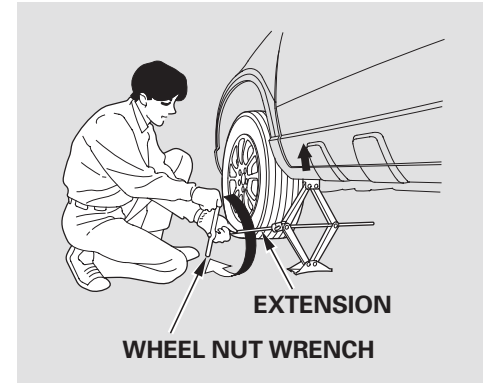
6. Unscrew the wing bolt and take the spare tyre out of its well.
7. Place blocks in front and back of the wheel diagonally opposite the tyre you are changing.



8. Loosen each wheel nut 1/2 turn with the wheel nut wrench.



9. Place the jack under the jacking point nearest the tyre you need to change. Turn the end bracket clockwise until the top of the jack contacts the jacking point. Make sure the jacking point tab is resting in the jack notch.



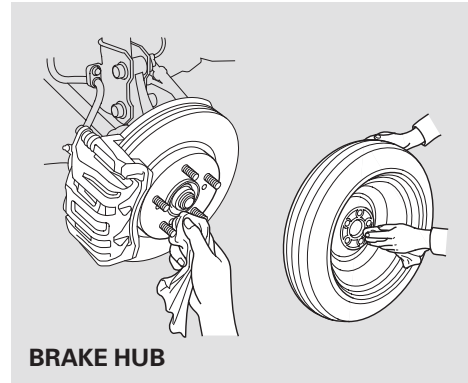
10. Use the extension and the wheel nut wrench as shown to raise the vehicle until the flat tyre is off the ground.

*CONTINUED*



# Changing a Flat Tyre

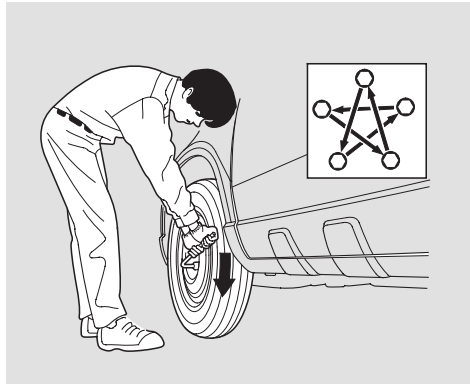
11. Remove the wheel nuts, then remove the flat tyre. Handle the wheel nuts carefully; they may be hot from driving. Place the flat tyre on the ground with the outside surface facing up.



12. Before mounting the spare tyre, wipe any dirt off the mounting surface of the wheel and hub with a clean cloth. Wipe the hub carefully; it may be hot from driving.

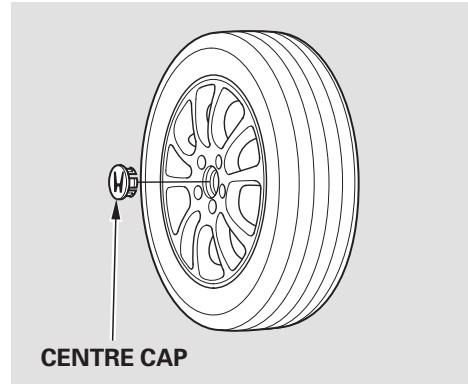
13. Put on the spare tyre. Put the wheel nuts back on finger-tight, then tighten them in a crisscross pattern with the wheel nut wrench until the wheel is firmly against the hub. Do not try to tighten the wheel nuts fully.

14. Lower the vehicle to the ground, and remove the jack.



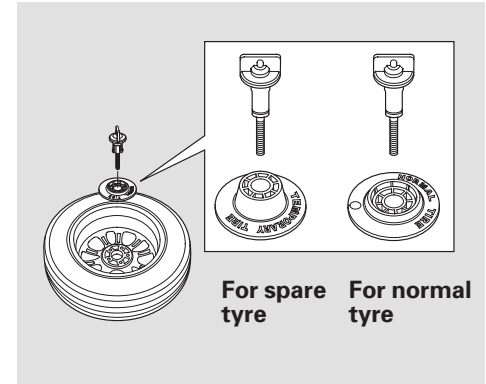
15. Tighten the wheel nuts securely in the same crisscross pattern. Have the wheel nut torque checked at the nearest automotive service facility.

Tighten the wheel nuts to:  
108 N·m (11 kgf·m , 80 lbf·ft)



16. Remove the centre cap before storing the flat tyre in the spare tyre well.

Store the centre cap in the spare tyre well. Make sure it does not get scratched or damaged.



17. Place the flat tyre face down in the spare tyre well.

18. Remove the spacer cone from the wing bolt, turn it over, and put it back on the bolt.

19. Secure the flat tyre by screwing the wing bolt back into its hole.

# Changing a Flat Tyre

---

20. Store the jack in its holder. Turn the jack's end bracket to lock it in place. Store the tools, and place the cover on the flat tyre of the luggage area.

## WARNING

**Loose items can fly around the interior in a crash and could seriously injure the occupants.**

**Store the wheel, jack, and tools securely before driving.**

21. Close the tailgate.



### *On vehicles with Honda TRK*

Your vehicle is not equipped with a spare tyre. Instead, your vehicle has the tyre sealant kit (Honda TRK: temporary repair kit of TERRA-S®). This kit is available only for easy repair of a flat tyre.

When using the tyre sealant kit, always follow the instructions and the procedure in this owner's manual.

You should check the usable period of the tyre sealant according to the time and distance recommendations in the maintenance schedule\*.

\*: On EU models, refer to the Service Book that came with your vehicle.

To remind you of the instructions for using the tyre sealant kit, the handling manual is included in the kit. Symbols   on the handling manual are to remind you to read this owner's manual for using the tyre sealant kit.

Read the handling manual well and use it correctly.

Small punctures in the tyre tread, caused by a nail or a screw, can be sealed with the temporary repair kit.

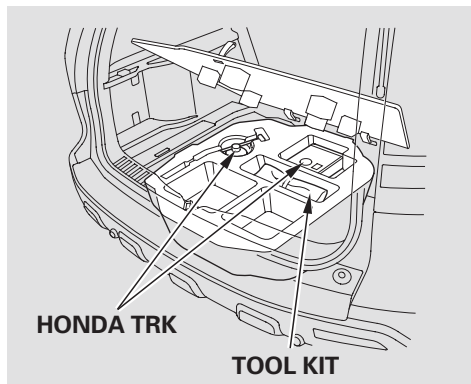
### **NOTICE**

The temporary repair kit cannot be used in the following cases. Inform your dealer or a Roadside Assistance Service.

1. Expired best before date of the tyre sealant.
2. Cuts or piercing in the tyre tread larger than approximately 4 mm.
3. Cuts in the tyre side wall.
4. Tyre damage caused by driving with considerably reduced tyre pressure or even with deflated tyres.
5. A tyre bead completely unseated outside or inside of rim.
6. A rim damaged.
7. 2 or more tyres punctured.

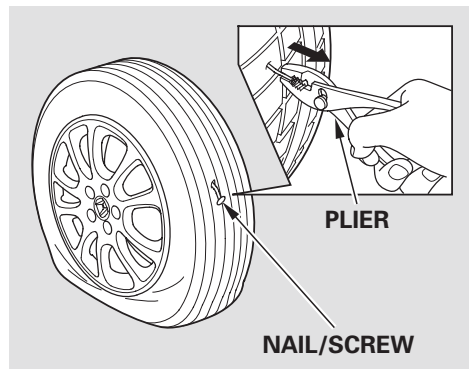
*CONTINUED*

## Honda TRK (For some types)



Open the tailgate. Take the Honda TRK out of the luggage area.

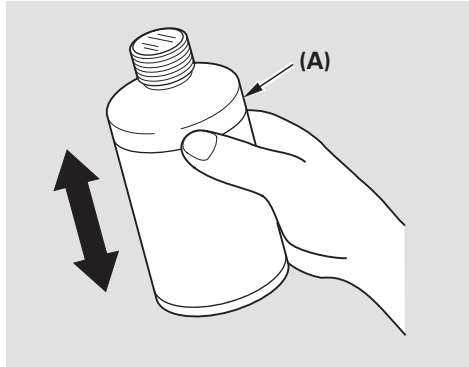
### Instructions for Use



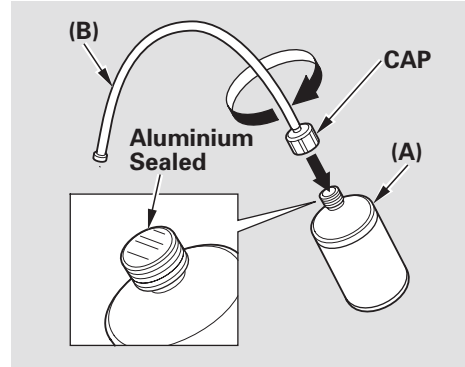
1. Pull out a nail or a screw in the tyre tread with the pliers supplied in the tool kit. When you can't pull it out or you can't find it, we recommend you to inform your dealer or Roadside Assistance Service. The kit can also be used to repair the tyre without removing the nail or screw but only in unavoidable cases.

### **⚠ CAUTION**

If you drive a vehicle after repair without extracting a nail or a screw, it may cause air leakage again or damage the inside and burst a tyre. If you have to drive, drive carefully, especially around corners.



2. Take out the temporary repair kit and shake the bottle (A). Screw the filler hose (B) onto the bottle (A), thereby piercing the seal of aluminium.



## **⚠ CAUTION**

**Contains ethylene glycol.**

- **Harmful if swallowed. Swallow plenty of water and seek medical advice immediately.**
- **Irritating to eyes. Rinse immediately with plenty of water and seek medical advice.**
- **Keep locked up and out of the reach of children.**
- **If you shake the bottle after connecting the hose with the bottle, it may spill sealant. Shake bottle well before connecting hose.**



*CONTINUED*

# Honda TRK (For some types)

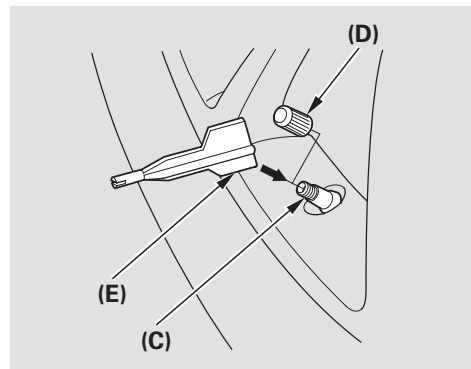
## NOTICE

If sealant adheres to clothes, it may not be possible to remove. Be careful not to spill any.

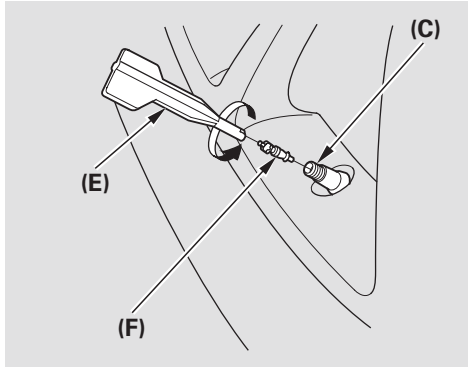
### *Safety Label on the Sealant Bottle*

To remind you of the information for repairing a flat tyre with this sealant kit, the labels are attached on the sealant bottle. Read the instructions carefully. Symbols   on the label are to remind you to read the Honda TRK section for using the tyre sealant kit.

If you have any questions about the tyre sealant kit, please contact your dealer.



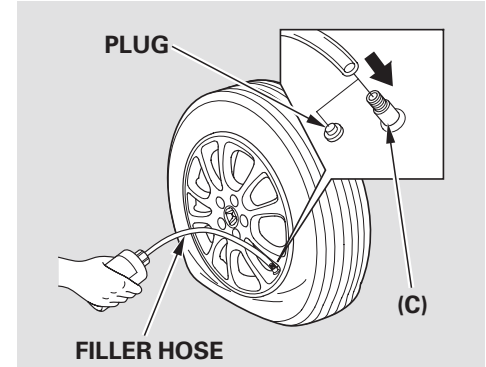
3. Unscrew the valve cap (D) from the tyre valve (C). Deflate the tyre completely pushing the valve insert using the back of the valve remover (E).



Unscrew the valve insert (F) using the valve remover (E). Do not place the valve insert (F) in the sand or dirt.

## ⚠ CAUTION

A valve insert can jump out, if air remains in tyre. Be careful in removing valve insert.

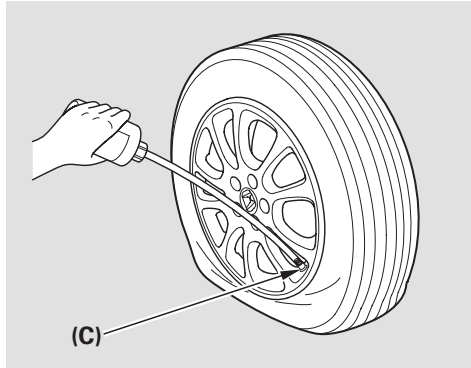


4. Pull the plug from the filler hose and slide the filler hose onto the tyre valve (C).

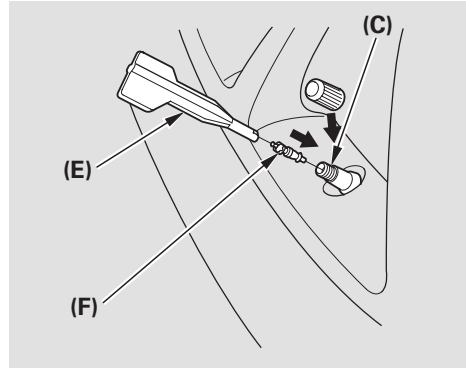
*CONTINUED*



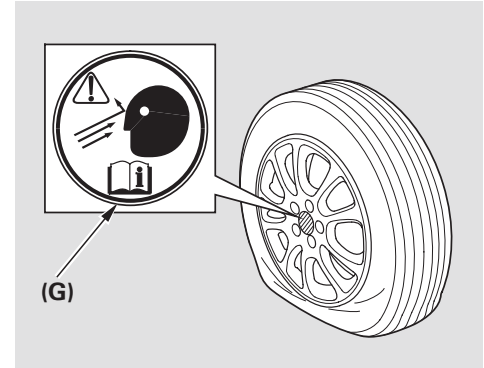
## Honda TRK (For some types)



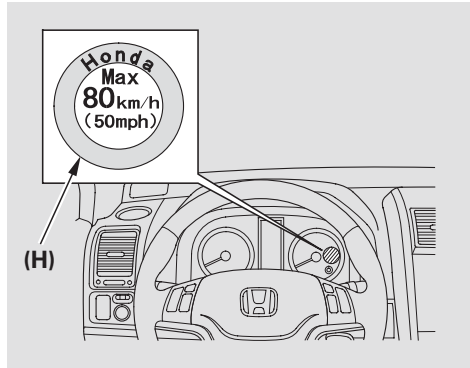
Hold the filling bottle with the filler hose downwards and compress. Squeeze the complete content into the tyre.



5. Pull off the filler hose and firmly screw the valve insert (F) into the tyre valve (C) using valve remover (E).



Affix a sticker of “Tyre Sealant in the tyre” (G) on the wheel.



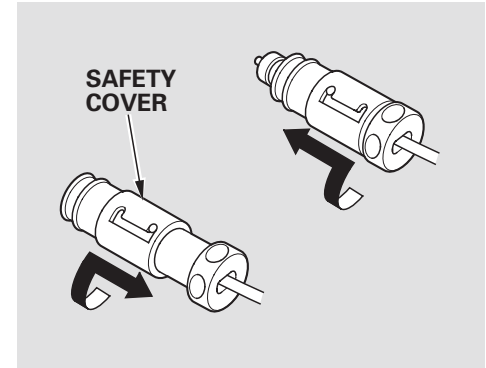
Affix a sticker of “Maximum Speed” (H) within the driver’s range of vision on the display.

## ⚠ CAUTION

**Do not affix a sticker on the steering wheel. The SRS air bag may not function.**

**Do not affix it in the position where it prevents the driver from seeing the warning indicators or speedometer.**

6. Screw the inflation hose (J) to the tyre valve (C). Fit the plug to the socket (K) of the accessory power socket in the luggage area.

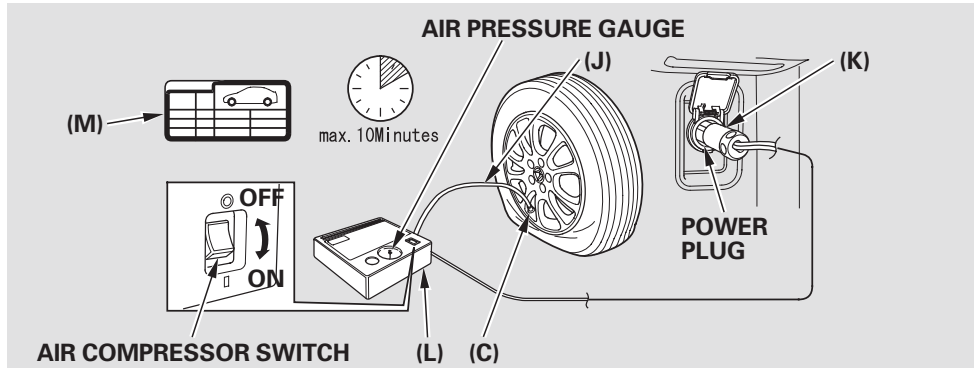


To use the power plug, disengage the safety cover by turning it clockwise. Slide it down then turn the cover clockwise again to lock it in position.

When the power plug is not in use, reverse this procedure to put the cover back in place. This helps to protect the plug end.

*CONTINUED*

# Honda TRK (For some types)



## NOTICE

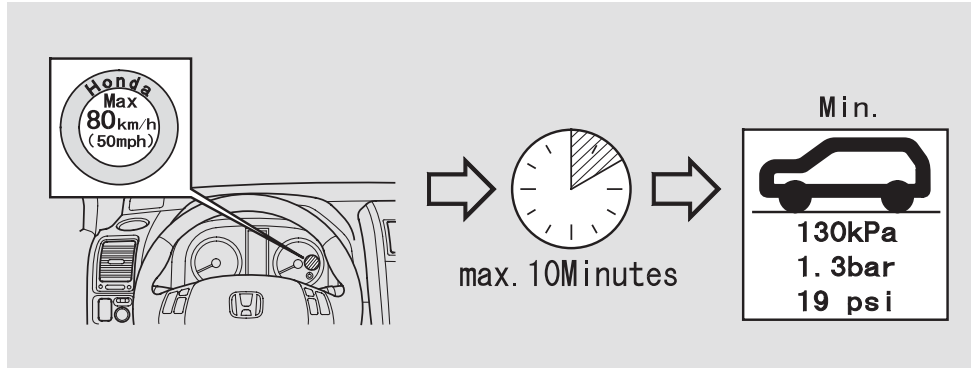
Operate electric inflation pump for not longer than 15 minutes. It can cause overheating.

Turn the ignition switch to the ACCESSORY (I) position. Turn on the air compressor (L). Inflate the tyre to the required air pressure (M). Do not inflate the tyre for more than 10 minutes. If overinflated, deflate air by loosening the screw of the hose.

## ⚠ CAUTION

**If the required air pressure is not reached within 10 minutes, the tyre may be severely damaged.**

**The Tyre Sealant Kit cannot provide the necessary seal. Inform a Honda Dealer or Roadside Assistant Service.**



7. Continue the journey immediately. Drive carefully within the speed of 80 km/h (50 mph).

### NOTICE

If you drive a vehicle at the speed of more than 80 km/h (50 mph), your vehicle may vibrate and will not drive safely.

8. After 10 minutes or 5 km (3 miles) running, check the tyre pressure with the air compressor pressure gauge. Note that the air pressure must be checked with the air compressor turned off. If the tyre pressure is kept, the tyre puncture is sealed. Continue to drive carefully to the nearest Honda dealer or a Roadside Assistance Service.
9. If the required air pressure dropped, inflate the tyre to the required air pressure and repeat from step 6.

*CONTINUED*

## **⚠ WARNING**

**In the following cases, do not drive on.**

**Inform a Honda dealer or a Roadside Assistance Service.**

- **The tyre pressure has dropped below 130 kPa (1.3 bar, 19 psi).**
- **The tyre pressure has still dropped after steps 6 and 7.**

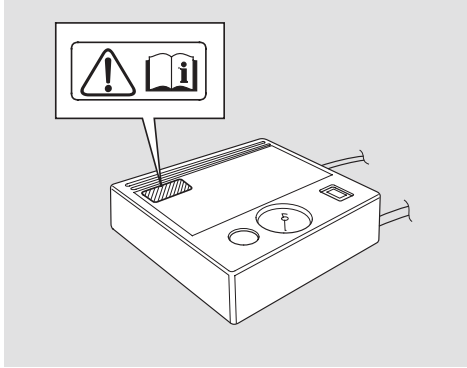
## **NOTICE**

- Have the tyre replaced at the nearest Honda dealer. To repair the sealed tyre, consult your dealer.
- A wheel can be reused after wiping sealant with cloth, but the valve must be replaced.
- Dispose of the used bottle at a Honda dealer.



## **NOTICE**

If the puncture hole cannot be detected, the tyre repair shop cannot repair the sealed tyre. When you continue running, check tyre pressure often and if tyre pressure decreases, repair the sealed tyre at a Honda dealer.

## ***Instructions for Labels on the Air Compressor***



To remind you of the information for repairing a flat tyre with this sealant kit, the labels are attached on the air compressor. The following shows you the instructions for these labels.

Symbols   on the label are to remind you to read the section of Honda TRK for using the tyre sealant kit.

### **CAUTION**

**Do not run the engine in enclosed areas, or when the vehicle is supported by the jack.**

### **CAUTION**

**Do not touch the air compressor with hands without protective clothing. Because it may be extremely hot while operating.**

**Never use the air compressor for 15 minutes or longer. When reusing, make sure the compressor is cool to the touch.**

**Do not use the air compressor for any other purpose than inflating your tyres.**

*CONTINUED*

# Honda TRK (For some types)

---

## NOTE:

The power supply of the air compressor is limited to the 12 volt DC accessories of the vehicle.

## *Directions*

Before using the air compressor, drive your vehicle to the road shoulder and stop in a safe place that is far away from the traffic lanes.

### Step 1.

Remove the valve cap from a flat tyre and securely connect the air compressor hose to the valve.

### Step 2.

Connect the power plug of the air compressor to the socket of the accessory power socket.

### Step 3.

Turn the ignition switch to the ACCESSORY (I) position. Turn on the air compressor switch and inflate the tyre to the specified air pressure. Check the tyre pressure by using the air pressure gauge on the compressor.

## **NOTICE**

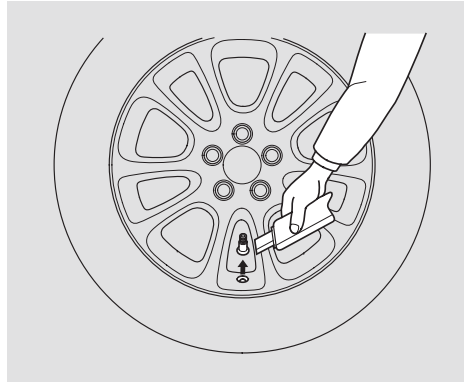
Turn off the switch on the air compressor before checking the air pressure.

### Step 4.

When the tyre is inflated to specified air pressure, disconnect the power plug from the accessory power socket. Make sure not to leak the air from the tyre. Then install and tighten the valve cap securely.

## Sealant Extraction (For a Honda dealer)

Be careful not to spill sealant from a tyre.



1. Remove a tyre and a wheel from the vehicle.  
Deflate tyre pressure.
2. Cut the valve off with a knife.

### **⚠ CAUTION**

**Be careful not to cut a hand or a finger.**

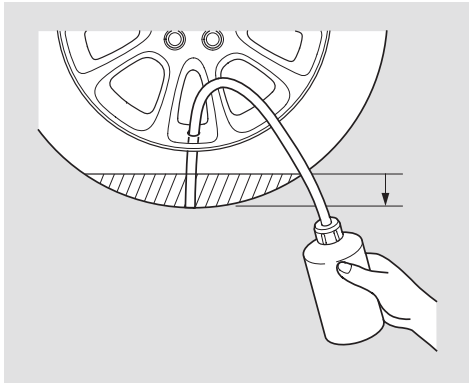
### **NOTICE**

Be careful not to damage the tyre or the wheel.

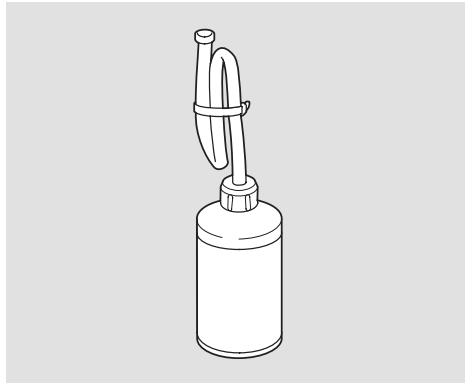
*CONTINUED*



## Honda TRK (For some types)



3. Insert the hose through the valve hole into the tyre.  
The hose should enter the sealant as deeply as possible.
4. Squeeze the bottle and draw out the sealant.  
(It is better to stand a tyre on a table.)
5. Repeat step 4 until the sealant cannot be drawn out.





6. Bend the hose and tie it with the strap or tape so that sealant does not leak. Dispose of the bottle at your dealer when you replace it with a new bottle.

### NOTICE

Recycling sealant is important for protecting environmental resources. Please cooperate in collecting used sealant.

*Sealant Label*

To remind you of the information for extracting the used sealant, this seal is attached on the wheel. It also shows you the tyre has been repaired by the tyre sealant kit. The following shows you the instructions on this seal.

Symbols   on the seal are to remind you to read this owner's manual for extracting the used sealant.

**⚠ CAUTION**

**The sealant contains ethylene glycol.**

**Swallowing the sealant can cause fatal poisoning. Drink with large quantities of water. Call a physician immediately.**

**Getting the sealant in your eyes or on your skin can cause serious injury. Flush with large quantities of water thoroughly. Call a physician immediately.**

**Keep out of the reach of children.**

**Make sure to keep the sealant enclosed in the bottle.**

# If the Engine Won't Start

---

Diagnosing why the engine won't start falls into two areas, depending on what you hear when you turn the ignition switch to the START (III) position:

- You hear nothing, or almost nothing. The engine's starter motor does not operate at all, or operates very slowly.
- You can hear the starter motor operating normally, or the starter motor sounds like it is spinning faster than normal, but the engine does not start up and run.

## **Nothing Happens or the Starter Motor Operates Very Slowly**

When you turn the ignition switch to the START (III) position, you do not hear the normal noise of the engine trying to start. You may hear a clicking sound, a series of clicks, or nothing at all.

Check these things:

- Check the transmission interlock. With an automatic transmission, it must be in Park or neutral or the starter will not operate.
- Turn the ignition switch to the ON (II) position. Turn on the headlights, and check their brightness. If the headlights are very dim or do not come on at all, the battery is discharged. See **Jump Starting** on page 496 .

- Turn the ignition switch to the START (III) position. If the headlights do not dim, check the condition of the fuses. If the fuses are OK, there is probably something wrong with the electrical circuit for the ignition switch or starter motor. You will need a qualified technician to determine the problem. See **Emergency Towing** on page 521 .

If the headlights dim noticeably or go out when you try to start the engine, either the battery is discharged or the connections are corroded. Check the condition of the battery and terminal connections (see page 457 ). You can then try jump starting the vehicle from a booster battery (see page 496 ).

## The Starter Operates Normally

In this case, the starter motor's speed sounds normal, or even faster than normal, when you turn the ignition switch to the START (III) position, but the engine does not run.

- Are you using the proper starting procedure? Refer to **Starting the Engine** on page 352 on petrol models and page 353 on diesel models.
- Are you using a properly coded key? An improperly coded key will cause the immobilizer system indicator in the instrument panel to blink rapidly (see page 145 ).

- Do you have fuel? Check the fuel gauge; the low fuel indicator may not be working.
- There may be an electrical problem, such as no power to the fuel pump. Check all the fuses (see page 513 ).
- The fuel cutoff switch may be activated. If the switch is activated, it must be reset before starting the engine (see page 339 ).

### *On diesel models only*

- If your vehicle runs out of fuel, priming the fuel system is required to restart the engine (see page 461).
- After you have stored your vehicle for an extended period, air may have entered the fuel system (see **Priming the Fuel System** on page 461).

- After you parked the vehicle for an extended period or when the outside temperature becomes very high, water stays in the fuel system and the engine will not start. In this case, you should drain the water from the fuel filter (see page 426 ).

### *On all models*

If you find nothing wrong, you will need a qualified technician to find the problem. See **Emergency Towing** on page 521 .

# Jump Starting

Although this seems like a simple procedure, you should take several precautions.

## **⚠ WARNING**

**A battery can explode if you do not follow the correct procedure, seriously injuring anyone nearby.**

**Keep all sparks, open flames, and smoking materials away from the battery.**

You cannot start your vehicle with an automatic transmission by pushing or pulling it.

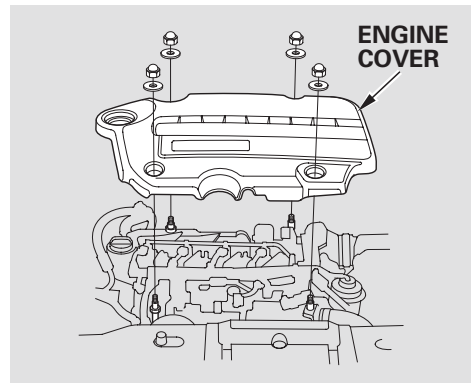
To jump start your vehicle:

1. Open the bonnet, and check the physical condition of the battery. In very cold weather, check the condition of the electrolyte. If it seems slushy or frozen, do not try jump starting until it thaws.

## **NOTICE**

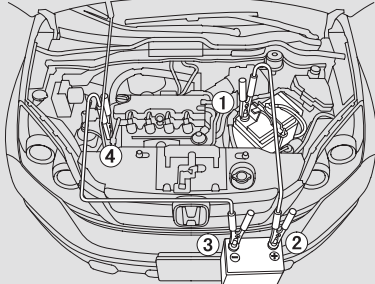
If a battery sits in extreme cold, the electrolyte inside can freeze. Attempting to jump start with a frozen battery can cause it to rupture.

2. Turn off all the electrical accessories: heater, A/C, climate control, audio system, lights, etc. Put the transmission in neutral (M/T) or Park (A/T), and set the parking brake.



3. *On diesel models*  
Remove the four bolts, then remove the engine cover.

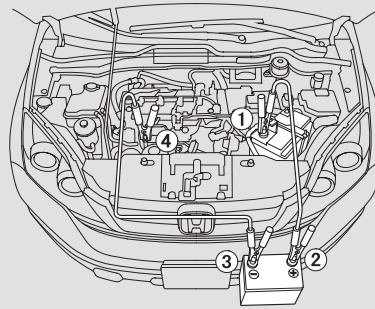
2.0 l engine model



**BOOSTER BATTERY** →

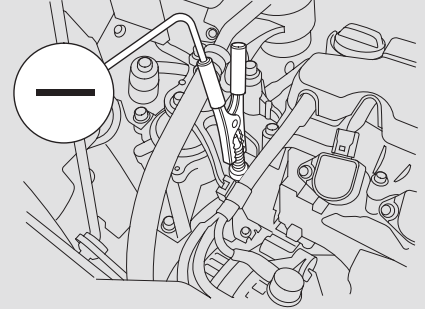
The numbers in the illustrations show you the order to connect the jumper cables.

2.2 l engine model (Diesel)



4. Connect one jumper cable to the positive (+) terminal on your battery. Connect the other end to the positive (+) terminal on the booster battery.

2.0 l engine model

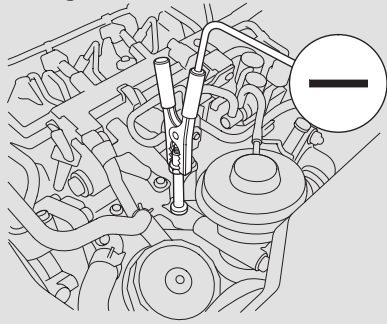


5. Connect the second jumper cable to the negative (-) terminal on the booster battery. Connect the other end to the stud bolt on the engine side as shown. Do not connect this jumper cable to any other part of the engine.

*CONTINUED*

# Jump Starting

2.2 l engine model



## *On diesel models*

Connect the second jumper cable to the negative (-) terminal on the booster battery. Connect the other end to the engine cover mounting stay as shown. Do not connect this jumper cable to any other part of the engine.

6. If the booster battery is in another vehicle, have an assistant start that vehicle and run it at a fast idle.
7. Start the vehicle. If the starter motor still operates slowly, check that the jumper cables have good metal-to-metal contact.
8. Once the vehicle is running, disconnect the negative cable from your vehicle, then from the booster battery. Disconnect the positive cable from your vehicle, and then from the booster battery.
9. *On diesel models*  
Reinstall the engine cover and tighten the bolts securely.

Keep the ends of the jumper cables away from each other and any metal on the vehicle until everything is disconnected. Otherwise, you may cause an electrical short.

The reading of the vehicle's temperature gauge should stay in the midrange. If it climbs to the red mark, you should determine the reason (hot day, driving up a steep hill, etc.).

If your vehicle overheats, you should take immediate action. The only indication may be the temperature gauge climbing to or above the red mark. Or you may see steam or spray coming from under the bonnet.

### NOTICE

Driving with the temperature gauge reading at the red mark can cause serious damage to your engine.

### WARNING

**Steam and spray from an overheated engine can seriously scald you.**

**Do not open the bonnet if steam is coming out.**

1. Safely pull to the side of the road. Put the transmission in neutral (M/T) or Park (A/T), and set the parking brake. Turn off all accessories, and turn on the hazard warning indicators.
2. If you see steam and/or spray coming from under the bonnet, turn off the engine. Wait until you see no more signs of steam or spray, then open the bonnet.

3. If you do not see steam or spray, leave the engine running, and watch the temperature gauge. If the high heat is due to overloading, the engine should start to cool down almost immediately. If it does, wait until the temperature gauge reading comes down to the midpoint, then continue driving.
4. If the temperature gauge reading stays at the red mark, turn off the engine.
5. Look for any obvious coolant leaks, such as a split radiator hose. Everything is still extremely hot, so use caution. If you find a leak, it must be repaired before you continue driving (see **Emergency Towing** on page 521).

*CONTINUED*



## If the Engine Overheats (Petrol models)

---

6. If you don't find an obvious leak, check the coolant level in the radiator reserve tank. Add coolant if the level is below the MIN mark.
7. If there was no coolant in the reserve tank, you may need to add coolant to the radiator. Let the engine cool down until the reading reaches the middle of the temperature gauge, or lower, before checking the radiator.

### **WARNING**

**Removing the radiator cap while the engine is hot can cause the coolant to spray out, seriously scalding you.**

**Always let the engine and radiator cool down before removing the radiator cap.**

8. Using gloves or a large heavy cloth, turn the radiator cap anticlockwise, without pushing down, to the first stop. After the pressure releases, push down on the cap, and turn it until it comes off.

9. Start the engine, and set the temperature control dial to maximum heat (climate control to AUTO at “**H**”). Add coolant to the radiator up to the base of the filler neck. If you do not have the proper coolant mixture available, you can add plain water. Remember to have the cooling system drained and refilled with the proper mixture as soon as you can.
10. Put the radiator cap back on tightly. Run the engine, and check the temperature gauge. If it goes back to the red mark, the engine needs repair (see **Emergency Towing** on page 521).
11. If the temperature stays normal, check the coolant level in the radiator reserve tank. If it has gone down, add coolant to the MAX mark. Put the cap back on tightly.

The reading of your vehicle's temperature gauge should stay in the midrange under most conditions. It may go higher if you are driving up a long steep hill on a very hot day. If it reaches to the red mark, you should determine the reason.

### NOTICE

Driving with the temperature gauge reading at the red mark can cause serious damage to your engine.

Your vehicle can overheat for several reasons, such as lack of coolant or a mechanical problem. The only indication may be the temperature gauge climbing to or above the red mark. Or you may see steam or spray coming from under the bonnet. In either case, you should take immediate action.

### **WARNING**

**Steam and spray from an overheated engine can seriously scald you.**

**Do not open the bonnet if steam is coming out.**

1. Safely pull to the side of the road. Put the transmission in neutral and set the parking brake. Turn off the air conditioning system/ climate control system and all other accessories. Turn on the hazard warning indicators.
2. If you see steam and/or spray coming from under the bonnet, turn off the engine.

3. If you do not see steam or spray, leave the engine running and watch the temperature gauge. If the high heat is due to overloading (climbing a long, steep hill on a hot day with the A/C running, for example), the engine should start to cool down almost immediately. If it does, wait until the temperature gauge reading comes down to the midpoint, then continue driving.
4. If the temperature gauge reading stays at the red mark, turn off the engine.
5. Wait until you see no more signs of steam or spray, then open the bonnet.

*CONTINUED*

## If the Engine Overheats (Diesel models)

---

6. Look for any obvious coolant leaks, such as a split radiator hose. Everything is still extremely hot, so use caution. If you find a leak, it must be repaired before you continue driving (see **Emergency Towing** on page 521 ).
7. If you don't find an obvious leak, check the coolant level in the expansion tank. Add coolant if the level is below the MIN mark.
8. If the expansion tank needs coolant, you will have to remove the cap. Before doing that, turn the ignition switch to the ON (II) position and check the temperature gauge. Remove the expansion tank cap only if the temperature gauge reading has come down to normal or below the red mark and you do not hear any bubbling or gurgling noises coming from the cooling system.

### **WARNING**

**Removing the expansion tank cap while the engine is hot can cause the coolant to spray out, seriously scalding you.**

**Always let the engine and radiator cool down before removing the expansion tank cap.**

9. Use a cloth or glove to protect your hand while removing the expansion tank cap. Loosen the cap by turning it 1/8 turn anticlockwise. Stop and wait for any pressure in the expansion tank to escape. Then remove the cap by turning it anticlockwise.


10. Start the engine and set the temperature control dial to maximum heat (climate control to AUTO at “ **H** ”). Add coolant up to the MAX line on the expansion tank. If you do not have the proper coolant mixture available, you can add plain water. Remember to have the cooling system drained and refilled with the proper mixture as soon as you can.
11. Put the expansion tank cap back on tightly. Run the engine, and check the temperature gauge. If it goes back to the red mark, the engine needs repair (see **Emergency Towing** on page 521 ).
12. If the temperature stays normal, check the coolant level in the expansion tank. If it has gone down, add coolant to the MAX mark. Put the expansion tank cap back on tightly.



## Low Oil Pressure Indicator

This indicator should come on when the ignition switch is in the ON (II) position, and go out after the engine starts. It should never come on red when the engine is running. If it turns on red and starts flashing or stays on, the oil pressure has dropped very low or lost pressure. Serious engine damage is possible and you should take immediate action.

*On vehicles with multi-information display*

You will also see the symbol “,” or this symbol with an “OIL PRESSURE LOW” message on the multi-information display (see page 122).

## NOTICE

Running the engine with low oil pressure can cause serious mechanical damage almost immediately. Turn off the engine as soon as you can safely get the vehicle stopped.

1. Safely pull off the road, and shut off the engine. Turn on the hazard warning indicators.
2. Let the vehicle sit for a minute. Open the bonnet, and check the oil level (see page 336). An engine very low on oil can lose pressure during cornering and other driving manoeuvres.
3. If necessary, add oil to bring the level back to the full mark on the dipstick (see page 410 on petrol models, and page 412 on diesel models).

4. Start the engine, and watch the oil pressure indicator. If it does not go out within 10 seconds, turn off the engine. There is a mechanical problem that needs to be repaired before you can continue driving (see **Emergency Towing** on page 521).

*On vehicles with information display*

The same design indicator may come on amber while you are driving. This indicates that the engine oil level becomes low and reminds you to check the engine oil level (see page 336). If it blinks in amber while you are driving, there is a system problem in the engine oil level sensor.

# Oil Level Indicator (Amber)

---

## *On vehicles with information display*



Your vehicle has an oil level indicator on the instrument panel. If this indicator comes on amber when the engine is running, the engine oil level is low. Safely pull off the road, park the vehicle on level ground, turn off the engine and let the vehicle sit for approximately 3 minutes.

Check the oil level (see page 336 ). If the engine oil level is near or below the lower mark on the dipstick, you should add the engine oil (see page 410 on petrol models, and page 412 on diesel models).

Do not fill above the upper mark on the dipstick and do not spill the engine oil in the engine compartment. This could damage the engine and other components.

If you do not carry spare engine oil in your vehicle, drive moderately to the nearest service area and add engine oil. Avoid full-throttle acceleration and driving at high speed.

The oil level indicator can be reset each time you turn off the engine. When you start your trip again, the system begins to monitor the engine oil level. It may take a while until the system senses the engine oil level is low and the indicator comes on amber. You should check the engine oil level and add engine oil before driving again if the oil level indicator comes on.

## **NOTICE**

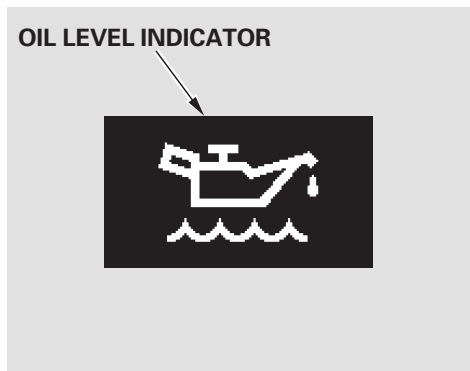
If you ignore the oil level indicator and keep driving with this indicator on, you can seriously damage the engine.


If the amber indicator blinks while driving, there is a system problem in the engine oil level sensor. Have your dealer inspect your vehicle as soon as possible.

This system activates after the engine warms up. If the outside temperature is extremely low, you may have to drive for a long time until the system senses the engine oil level.

# Oil Level Indicator (On the Multi-information Display)

*On vehicles with multi-information Display*



Your vehicle has an engine oil level sensor to check the oil level. If the symbol “” for the oil level indicator comes on on the multi-information display when the engine is running, the engine oil level is low. You will also hear a beep when this symbol comes on. If you select the warning symbol with the message(s) in the customizing settings, you will see this symbol with a “CHECK

ENGINE OIL LEVEL” message on the multi-information display (see page 121 ).

If this symbol comes on, safely pull off the road, park the vehicle on level ground, turn off the engine and let the vehicle sit for approximately 3 minutes.

Check the oil level. If the engine oil level is near or below the lower mark on the dipstick, you should add the engine oil (see page 410 on petrol models, and page 412 on diesel models).

Do not fill above the upper mark on the dipstick and do not spill the engine oil in the engine compartment. This could damage the engine and other components.

If you do not carry spare engine oil in your vehicle, drive moderately to the nearest service area and add engine

oil. Avoid full-throttle acceleration and driving at high speed.

The oil level symbol/message display can be reset each time you turn off the engine. When you start your trip again, the system begins to monitor the engine oil level. It may take a while until the system senses the engine oil level is low and the symbol, or the symbol with a message appear on the multi-information display. You should check the engine oil level and add engine oil before driving again if the oil level symbol, or the symbol with a “CHECK ENGINE OIL LEVEL” message comes on.

*CONTINUED*

# Oil Level Indicator

---


## NOTICE

If you ignore the oil level indicator and keep driving with this indicator on, you can seriously damage the engine.

This system activates after the engine warms up. If the outside temperature is extremely low, you may have to drive for a long time until the system senses the engine oil level.

## Oil Level Sensor Failure



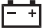
If the symbol “,” or this symbol with a “CHECK SYSTEM” message appears on the multi-information display when the engine is running, there is a system problem in the engine oil level sensor. You will also hear a beep. Have your dealer inspect your vehicle as soon as possible.



## Charging System Indicator

This indicator should come on when the ignition switch is in the ON (II) position, and go out after the engine starts. If the charging system indicator comes on brightly when the engine is running, the battery is not being charged.

*On vehicles with multi-information display*

You will also see the symbol “,” or this symbol with a “CHECK SYSTEM” message on the multi-information display (see page 125).

Immediately turn off all electrical accessories. Try not to use other electrically operated controls such as the power windows. Keep the engine running; starting the engine will discharge the battery rapidly.

Go to a dealer or a service station where you can get technical assistance.




## Malfunction Indicator Lamp (Petrol models)

---



This indicator comes on, then goes out when you turn the ignition switch to the ON (II) position. If the indicator comes on while driving, it means one of the engine's emissions control systems may have a problem. Even though you may feel no difference in your vehicle's performance, it can reduce your fuel economy and cause increased emissions. Continued operation may cause serious damage.

You will also see the symbol “,” or this symbol with a “CHECK SYSTEM” message on the multi-information display (see page 122).

If this indicator comes on, safely pull off the road and turn off the engine. Restart the engine and watch the indicator. If it stays on, have your vehicle checked by the dealer as soon as possible. Drive moderately until the dealer has inspected the problem. Avoid full-throttle

acceleration and driving at high speed.

You should also have the dealer inspect your vehicle if the indicator comes on frequently, even though it goes off when you follow the above procedure.


### NOTICE

If you keep driving with the malfunction indicator lamp on, you can damage your vehicle's emissions controls and engine. Those repairs may not be covered by your vehicle's warranties.

If you turn the ignition switch to the ON (II) position, without starting the engine, the malfunction indicator lamp will come on for about 20 seconds. It then goes off or blinks 5 times under various conditions. This is normal: it shows the self-testing condition of the diagnostics for the emissions control systems.



This indicator comes on, then goes out when you turn the ignition switch to the ON (II) position. If it comes on at any other time, it indicates one of the emissions control systems may have a problem. Even though you may feel no difference in your vehicle's performance, it can reduce your fuel economy and cause your vehicle to put out excessive emissions. Continued operation may cause serious damage.

You will also see the symbol “,” or this symbol with a “CHECK SYSTEM” message on the multi-information display (see page 122 ).

If this indicator comes on, safely pull off the road and turn off the engine. Restart and turn off the engine at least three times at intervals of approximately 30 seconds, then watch the indicator. If it stays on, have your vehicle checked by your

dealer as soon as possible. Drive moderately until the dealer has inspected the problem. Avoid full-throttle acceleration and driving at high speed.

You should also have the dealer inspect your vehicle if the indicator comes on frequently, even though it goes off when you follow the above procedure.

### NOTICE

If you keep driving with the malfunction indicator lamp on, you can damage your vehicle's emissions controls and engine. Those repairs may not be covered by your vehicle's warranties.

This indicator will also come on and you cannot restart the engine after your vehicle has run out of fuel. If this occurs, refuel the fuel tank, then follow the procedure for **Priming the Fuel System** on page 461 before attempting to restart the engine.

If you turn the ignition switch to the ON (II) position, without starting the engine, the malfunction indicator lamp will come on for about 20 seconds. It then goes off or blinks 5 times under various conditions. This is normal: it shows the self-testing condition of the diagnostics for the emissions control systems.

# PGM-FI Indicator (Diesel models)

---

*On vehicles with information display*

PGM-FI

This indicator comes on for a few seconds when you turn the ignition switch to the ON (II) position. If it comes on while the engine is running, there is a problem in the engine control system. Continued operation may cause serious damage.

If this indicator remains on, safely pull off the road and turn off the engine. Restart and turn off the engine at least three times at intervals of approximately 30 seconds, then watch the indicator. If it comes on and stays on again, have your vehicle checked by your dealer as soon as possible. Drive moderately until the dealer has inspected the problem. Avoid full-throttle acceleration and driving at high speed.

You should also have the dealer inspect your vehicle if the indicator comes on frequently, even though it goes off when you follow the above procedure.

## NOTICE

If you keep driving with the PGM-FI indicator on, you can damage your vehicle's emissions controls and engine. Those repairs may not be covered by your vehicle's warranties.

This indicator will also come on and you cannot restart the engine after your vehicle has run out of fuel. If this occurs, refuel the fuel tank, then follow the procedure for **Priming the Fuel System** on page 461 before attempting to restart the engine.

This indicator may also come on if you do not use the proper fuel for the climate or regional condition. This may cause the engine power to reduce (see page 332 ).

The image shows a black rectangular background with a white rounded rectangle in the center. Inside the white rectangle, the text "PGM-FI" is written in a bold, black, sans-serif font.

*On vehicles with multi-information display*

If you see this symbol or this symbol with a “CHECK SYSTEM” message on the multi-information display while the engine running, there is a problem with the engine control system. Continued operation may cause serious damage.

If this symbol or the symbol with a message is displayed, safely pull off the road and turn off the engine. Restart and turn off the engine at least three times at intervals of approximately 30 seconds, then watch the multi-information display. If it appears again, have your vehicle checked by your dealer as soon as possible. Drive moderately until the dealer has inspected the problem. Avoid full-throttle acceleration and driving at high speed.

You should also have the dealer inspect your vehicle if this symbol “PGM-FI” appears on the multi-information display frequently, even though it goes off when you follow the above procedure.

### NOTICE

If you keep driving with the symbol “PGM-FI” on, you can damage your vehicle’s emissions controls and engine. Those repairs may not be covered by your vehicle’s warranties.

This symbol or the symbol with a message will also appear on the multi-information display and you cannot restart the engine after your vehicle has run out of fuel. If this occurs, refuel the fuel tank, then follow the procedure for **Priming the Fuel System** on page 461 before attempting to restart the engine.

This symbol or the symbol with a message may also appear if you do not use the proper fuel for the climate or regional condition. This may cause the engine power to reduce (see page 332 ).

# Brake System Indicator

---



The brake system indicator normally comes on when you turn the ignition switch to the ON (II) position, and as a reminder to check the parking brake. It will stay on if you do not fully release the parking brake.


If the brake system indicator comes on while driving, the brake fluid level is probably low. Press lightly on the brake pedal to see if it feels normal. If it does, check the brake fluid level the next time you stop at a service station (see page 421).

If the fluid level is low, take your vehicle to a dealer, and have the brake system inspected for leaks or worn brake pads.

You will also see the symbol “,” or this symbol with a “BRAKE FLUID LOW” message on the multi-information display.

However, if the brake pedal does not feel normal, you should take immediate action. A problem in one part of the system’s dual circuit design will still give you braking at two wheels. You will feel the brake pedal go down much farther before the vehicle begins to slow down, and you will have to press harder on the pedal.

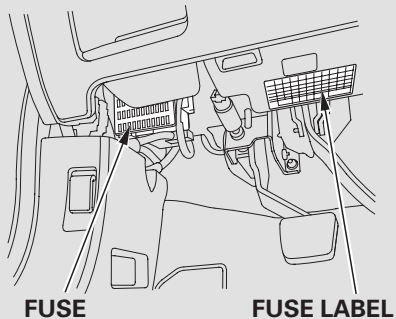
Slow down by shifting to a lower gear, and pull to the side of the road when it is safe. Because of the long distance needed to stop, it is hazardous to drive the vehicle. You should have it towed and repaired as soon as possible (see **Emergency Towing** on page 521).

You will also see the symbol “,” or this symbol with a “CHECK SYSTEM” message on the multi-information display if there is a problem with the brake system or the front-to-rear braking distribution system.

If you must drive the vehicle a short distance in this condition, drive slowly and carefully.

If the ABS indicator comes on with the brake system indicator, have your vehicle inspected by your dealer immediately.

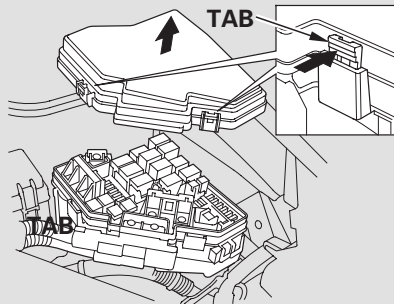
## INTERIOR



The vehicle's fuses are located in two or three fuse boxes.

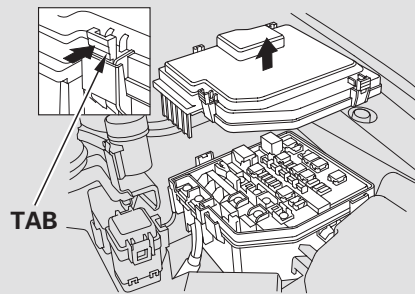
The interior fuse box is located under the dashboard on the driver's side. The fuse label is attached under the steering column.

## Petrol models UNDER-BONNET PRIMARY FUSE BOX

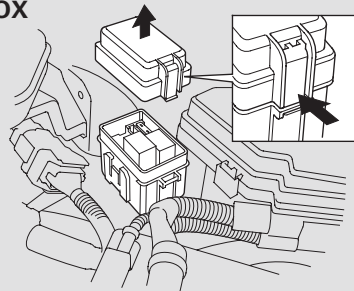


The under-bonnet fuse box is located in the back of the engine compartment on the left side. To open it, push the tabs as shown.

## Diesel models UNDER-BONNET FUSE BOX



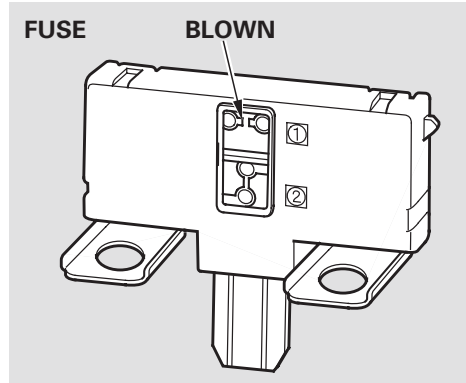
## Petrol models UNDER-BONNET SECONDARY FUSE BOX



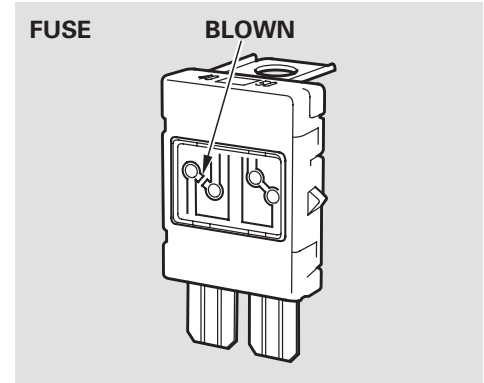
# Fuses

## Checking and Replacing Fuses

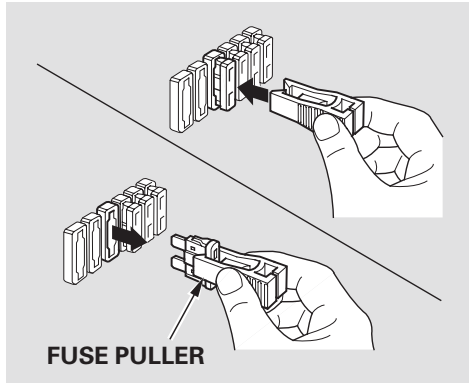
If something electrical in your vehicle stops working, the first thing you should check for is a blown fuse. Determine from the chart on pages 517 and 518 on petrol models, and pages 519 and 520 on diesel models, or the diagram on the fuse box lid, which fuse or fuses control that device. Check those fuses first, but check all the fuses before deciding that a blown fuse is the cause. Replace any blown fuses, and check if the device works.



1. Turn the ignition switch to the LOCK (0) position. Make sure the headlights and all other accessories are off.
2. On the under-bonnet fuse box, remove the cover from the fuse box.

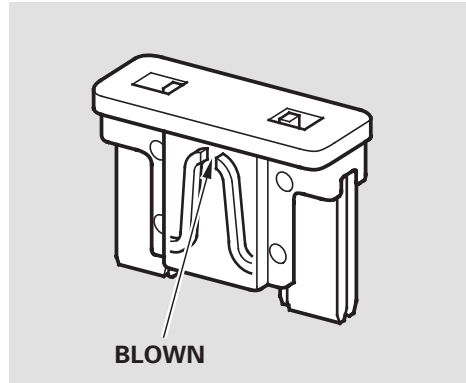


3. Check each of the large fuses in the under-bonnet fuse box by looking through the side window at the wire inside. Remove the screws with a Phillips-head screwdriver.



4. Check the smaller fuses in the under-bonnet fuse box and all the fuses in the interior fuse box by pulling out each one with the fuse puller provided in the under-bonnet fuse box.

On petrol models, the fuse puller is on the back of the primary under-bonnet fuse box cover.



5. Look for a burned wire inside the fuse. If it is burned out, replace it with one of the spare fuses of the same rating or lower.

If you cannot drive the vehicle without fixing the problem, and you do not have a spare fuse, take a fuse of the same rating or a lower rating from one of the other circuits. Make sure you can do without that circuit temporarily (such as the cigarette lighter or radio).

If you replace the blown fuse with a spare fuse that has a lower rating, it might blow out again. This does not indicate anything wrong. Replace the fuse with one of the correct rating as soon as you can.

*CONTINUED*

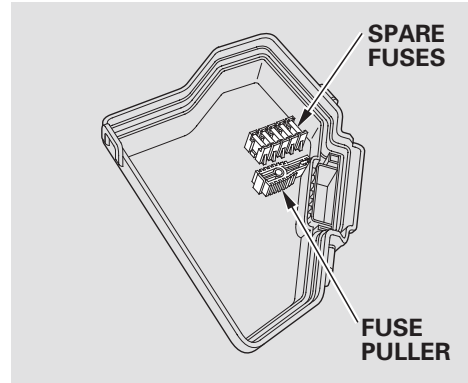


# Fuses

## NOTICE

Replacing a fuse with one that has a higher rating greatly increases the chances of damaging the electrical system. If you do not have a replacement fuse with the proper rating for the circuit, install one with a lower rating.

6. If the replacement fuse of the same rating blows in a short time, there is probably a serious electrical problem with your vehicle. Leave the blown fuse in that circuit, and have your vehicle checked by a qualified technician.

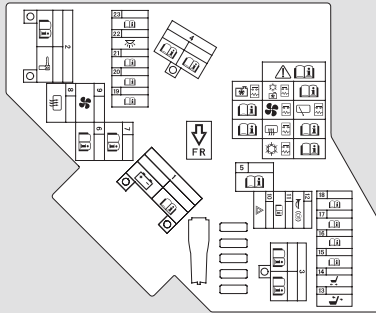


*On petrol models*  
Your vehicle has spare fuses on the back of the under-bonnet fuse box cover.

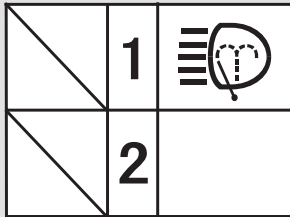
If the radio fuse is removed, the audio system may disable itself. The next time you turn on the radio you may see “ENTER CODE” in the frequency display. Use the preset buttons to enter the digit code (see page 276 ).  
On vehicles with a navigation system, touch the appropriate icon to enter the code number.

When the audio system is disabled, the clock setting in the audio system will be cancelled. You will need to reset the clock according to the instructions in the audio system section in this owner’s manual.

## PRIMARY UNDER-BONNET FUSE BOX



## SECONDARY UNDER-BONNET FUSE BOX



The fuses contained in the under-bonnet fuse box vary slightly depending on models. The locations of fuses are shown with symbols on the fuse label. Refer to the table below for the fuses on your vehicle.

### Primary

No.	Circuits Protected
1	Main Fuse Battery
	—
2	Option Main
	Ignition Switch Main
3	VSA Motor/ABS Motor
	VSA F/S/ABS F/S
4	Headlight Main
	Power Window Main
5	EPT-R*
6	Sub Fan Motor
7	Main Fan Motor
8	Rear Demister
9	Blower
10	Hazard
11	LAF

No.	Circuits Protected
12	Stop, Horn
13	Driver's Power Seat Reclining*
14	Driver's Power Seat Sliding*
15	IGPS OIL LEVEL
16	EPT-L*
17	High Power Sound*
18	IG Coil
19	FI Main
20	MG Clutch
21	DBW
22	Interior Light
23	Back Up

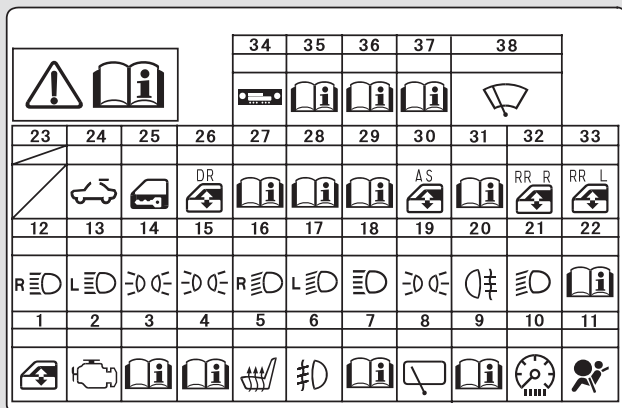
\* : For some types

### Secondary

No.	Circuits Protected
1	Headlight Washer*
2	Not Used

# Fuse Locations (Petrol models)

## INTERIOR FUSE BOX



The fuses contained in the interior fuse box vary slightly depending on models. The locations of fuses are shown with symbols on the fuse label. Refer to the table below for the fuses on your vehicle.

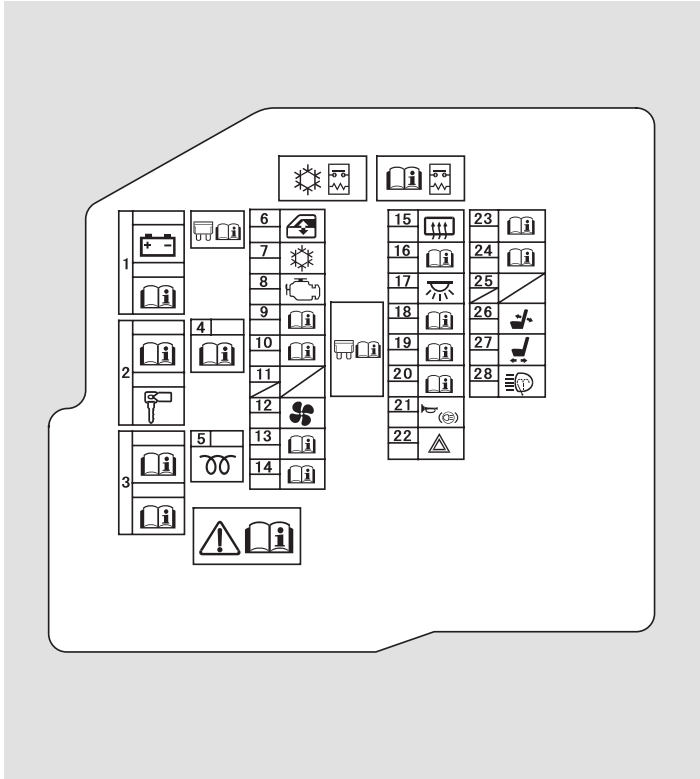
No.	Circuits Protected
1	Power Window
2	Fuel Pump
3	IG1 ACG
4	ABS/VSA Unit
5	Heated Seats*
6	Front Fog Lights*
7	Daytime Running Lights*
8	Rear Wiper
9	ODS (Occupant Detection System)
10	Meter
11	SRS
12	Right Headlight High Beam
13	Left Headlight High Beam
14	Small Lights (Interior)
15	Small Lights (Exterior)
16	Right Headlight Low Beam
17	Left Headlight Low Beam
18	Headlight High Beam Main
19	Small Lights Main
20	Rear Fog Light

No.	Circuits Protected
21	Headlight Low Beam Main
22	ACC*/EPT*/Trailer Stability Assist/AFS*
23	Not Used
24	Sunshades*
25	Door Lock
26	Driver's Power Window
27	HAC Option
28	Rear Accessory Socket
29	Accessory
30	Front Passenger's Power Window
31	Headlight Washer*
32	Rear Right Power Window
33	Rear Left Power Window
34	Accessory, Radio
35	ACC Key Lock
36	IG2 HAC
37	Daytime Light*
38	Front Wiper

\* : For some types

# Fuse Locations (Diesel models)

## UNDER-BONNET FUSE BOX



The fuses contained in the under-bonnet fuse box vary slightly depending on models. The locations of fuses are shown with symbols on the fuse label. Refer to the table below for the fuses on your vehicle.

No.	Circuits Protected
1	Main Fuse Battery
	ABS Motor
2	Headlight Main
	Ignition Switch Main
3	Right Side e-pretensioner*
	Left Side e-pretensioner*
4	Option Main
5	Glow
6	Power Window Main
7	MG Clutch
8	IGP2
9	ISV
10	IGP2
11	Not Used
12	Blower
13	ABS F/S
14	High Power Sound*
15	Rear Demister

No.	Circuits Protected
16	Back Up
17	Interior Light
18	Fuel Heater
19	Main Fan Motor
20	Fuel Heater
21	Stop, Horn
22	Hazard
23	Sub Fan Motor
24	IGP
25	Not Used
26	Driver's Power Seat Reclining
27	Driver's Power Seat Sliding
28	Headlight Washer*

\* : For some types

# Fuse Locations (Diesel models)

## INTERIOR FUSE BOX

				34	35	36	37	38		
23	24	25	26	27	28	29	30	31	32	33
			DR 				AS 		RR R 	RR L 
12	13	14	15	16	17	18	19	20	21	22
1	2	3	4	5	6	7	8	9	10	11

The fuses contained in the interior fuse box vary slightly depending on models. The locations of fuses are shown with symbols on the fuse label. Refer to the table below for the fuses on your vehicle.

No.	Circuits Protected
1	Power Window
2	Fuel Pump
3	IG1 ACG
4	ABS/VSA Unit
5	Heated Seats*
6	Front Fog Lights*
7	Daytime Running Lights*
8	Rear Wiper
9	ODS (Occupant Detection System)
10	Meter
11	SRS
12	Right Headlight High Beam
13	Left Headlight High Beam
14	Small Lights (Interior)
15	Small Lights (Exterior)
16	Right Headlight Low Beam
17	Left Headlight Low Beam
18	Headlight High Beam Main
19	Small Lights Main
20	Rear Fog Light

No.	Circuits Protected
21	Headlight Low Beam Main
22	ACC*/EPT*/Trailer Stability Assist/AFS*
23	Not Used
24	Sunshades*
25	Door Lock
26	Driver's Power Window
27	HAC Option
28	Rear Accessory Socket
29	Accessory
30	Front Passenger's Power Window
31	Headlight Washer*
32	Rear Right Power Window
33	Rear Left Power Window
34	Accessory, Radio
35	ACC Key Lock
36	IG2 HAC
37	Daytime Light*
38	Front Wiper

\* : For some types

If your vehicle needs to be towed, call a professional towing service or organization. Never tow your vehicle with just a rope or chain. It is very dangerous.

**The only way you can safely tow your vehicle is with flat-bed equipment.** The operator will load your vehicle on the back of a truck. Any other method of towing will damage the drive system. When you contact the towing agency, inform them a flat-bed is required.

## NOTICE

Towing with only two tyres on the ground will damage parts of the 4WD system. It should be transported on a flat-bed truck or trailer.



The diagrams in this section give you the dimensions and capacities of your vehicle, and the locations of the identification numbers.

Identification Numbers.....	524
Specifications .....	526
Catalytic Converter (Petrol models) .....	532
Catalytic Converter (Diesel models) .....	533
Diesel Particulate Filter (DPF) System.....	534



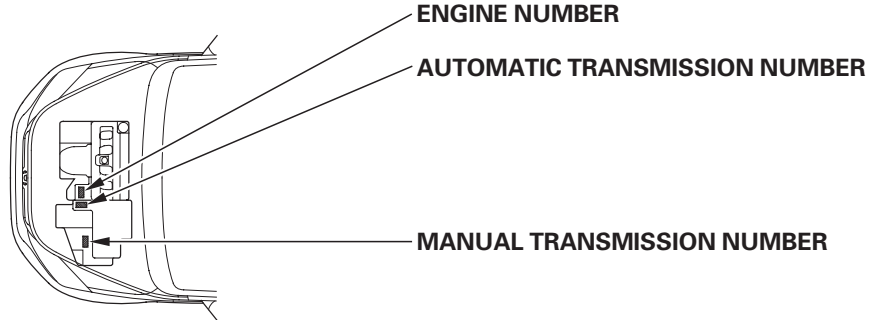
# Identification Numbers

Your vehicle has several identifying numbers in various places.

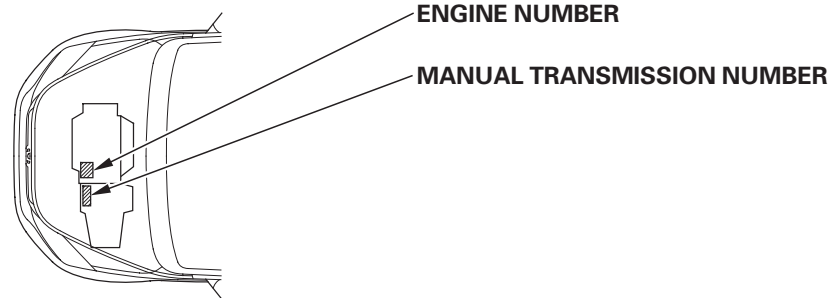
1. The chassis number is stamped on the fire wall.
2. The engine number is stamped into the engine block.
3. The transmission number is on a label on top of the transmission.

Do not mistake the transmission number for the engine number.

## 2.0 l engine model (Petrol)



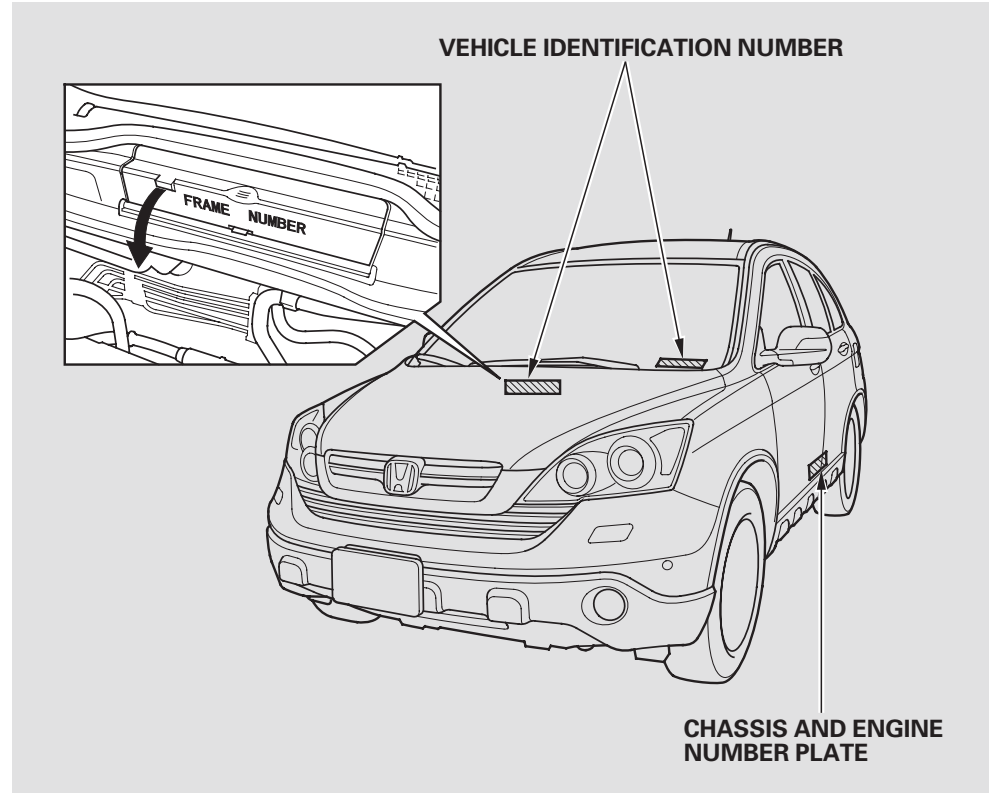
## 2.2 l engine model (Diesel)



The vehicle identification number (VIN)/chassis number is moulded on the fire wall in the engine compartment. To access this number, pull down the lid on the back of the engine compartment. Make sure to reinstall the lid before closing the bonnet.

The chassis and engine numbers also appear on the plate attached to the front doorjamb on the left side.

The Vehicle Identification Number (VIN)/chassis number also appears on a plate fastened to the top of the dashboard.



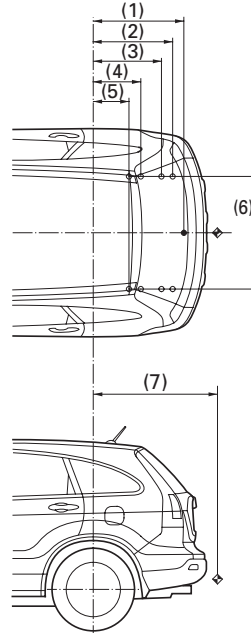
# Specifications

## Dimensions

Length		4,525 mm (178.1 in)
Width		1,820 mm (71.7 in)
Height		1,675 mm (65.9 in)
		1,805 mm (71.1 in)*
Wheelbase		2,630 mm (103.5 in)
Track	Front	1,570 mm (61.8 in)
	Rear	1,575 mm (62.0 in)

\* : With roof antenna

## The mounting point/rear overhang of coupling device



No.	Dimensions
(1)	792 mm (31.2 in)
(2)	693 mm (27.3 in)
(3)	593 mm (23.3 in)
(4)	410 mm (16.1 in)
(5)	307 mm (12.1 in)
(6)	995 mm (39.2 in)
(7)	1,080 mm (42.5 in)

### NOTE:

- 1. ○ marks show towbar fixing points.
- 2. ◆ mark shows towbar coupling point.

## Weights

Curb weight	2.0 l engine	
	M/T	1,498 – 1,613 kg (3,302 – 3,556 lbs)
	A/T	1,533 – 1,648 kg (3,380 – 3,633 lbs)
	Diesel engine	1,617 – 1,729 kg (3,565 – 3,812 lbs)
Max. permissible weight* <sup>1</sup>		2,080 kg (4,586 lbs)
	2.0 l engine	2,050 kg (4,519 lbs)* <sup>4</sup>
	Diesel engine	2,160 kg (4,762 lbs)
Max. permissible axle weight (Front)* <sup>1</sup>		1,050 kg (2,315 lbs)
	2.0 l engine	1,020 kg (2,249 lbs)* <sup>4</sup>
	Diesel engine	1,140 kg (2,513 lbs)
Max. permissible axle weight (Rear)* <sup>1</sup>		
	2.0 l engine	1,040 kg (2,293 lbs)
	Diesel engine	1,040 kg (2,293 lbs)

\* 1 : See the plate attached to the driver's doorjamb or ask dealer for information.

\* 2 : Diesel models

Max. towing weight (EU)* <sup>3,5</sup>	Trailer with brakes	1,500 kg (3,307 lbs) 1,600 kg (3,527 lbs)* <sup>4</sup> 2,000 kg (4,409 lbs)* <sup>2</sup>
	Trailer without brakes	600 kg (1,323 lbs)
	The maximum permissible vertical load on the coupling device (EU)	100 kg (220 lbs)

\* 3 : The following is for Germany only.

The maximum trailer weight is valid for 12 % slope. For an increasing of the trailer weight you have to look in your vehicle paper or ask your next dealer.

\* 4 : 2.0 l engine model with manual transmission

\* 5 : The maximum towing weight should be reduced if you tow a trailer over 1,000 meters of elevation. For more information, see page 383.

# Specifications

---

## Engine (Petrol models)

Type	Water cooled 4-stroke SOHC VTEC in line, 4-cylinder gasoline engine
Bore x Stroke	81 x 96.9 mm (3.19 x 3.81 in)
Displacement	1,997 cm <sup>3</sup> (122 cu-in)
Compression ratio	10.5 : 1
Spark plugs	IZFR6K11S SKJ20DR-M11S

## Engine (Diesel models)

Type	Water cooled 4-stroke DOHC intercooler turbo diesel engine
Bore x Stroke	85 x 97.1 mm (3.35 x 3.82 in)
Displacement	2,204 cm <sup>3</sup> (134 cu-in)
Compression ratio	16.7 : 1

## Capacities

Fuel tank	Approx. 58 ℓ (15.3 US gal , 12.8 Imp gal)
Engine coolant	6.1 ℓ (1.61 US gal , 1.34 Imp gal)
Change*1, *3	6.2 ℓ (1.64 US gal , 1.36 Imp gal) *5 7.1 ℓ (1.88 US gal , 1.56 Imp gal) *2
Total	7.4 ℓ (1.96 US gal , 1.63 Imp gal) 7.5 ℓ (1.98 US gal , 1.65 Imp gal) *5 8.3 ℓ (2.19 US gal , 1.83 Imp gal) *2
Engine oil	Change*4
Including filter	3.7 ℓ (3.9 US qt , 3.3 Imp qt) *6 5.9 ℓ (6.2 US qt , 5.2 Imp qt) *2
Without filter	3.5 ℓ (3.7 US qt , 3.1 Imp qt) *6 5.5 ℓ (5.8 US qt , 4.8 Imp qt) *2
Total	4.5 ℓ (4.8 US qt , 4.0 Imp qt) *6 6.8 ℓ (7.2 US qt , 6.0 Imp qt) *2

## Capacities

Manual transmission fluid	2.2 ℓ (2.3 US qt , 1.9 Imp qt)*5
Change	2.5 ℓ (2.6 US qt , 2.2 Imp qt)*2
Total	2.5 ℓ (2.6 US qt , 2.2 Imp qt)*5 3.1 ℓ (3.3 US qt , 2.7 Imp qt)*2
Automatic transmission fluid	
Change	2.5 ℓ (2.6 US qt , 2.2 Imp qt)
Total	7.2 ℓ (7.6 US qt , 6.3 Imp qt)
Rear differential fluid	
Change	1.2 ℓ (1.3 US qt , 1.1 Imp qt)
Total	1.4 ℓ (1.5 US qt , 1.2 Imp qt)
Windscreen washer reservoir	2.5 ℓ (2.6 US qt , 2.2 Imp qt)*7 4.5 ℓ (4.8 US qt , 4.0 Imp qt)*8

\* 1 : Including the coolant in the reserve tank and that remaining in the engine.

Reserve tank capacity:

2.0 ℓ engine model: 0.6 ℓ (0.16 US gal , 0.13 Imp gal)

\* 2 : Diesel models

\* 3 : Including the coolant in the expansion tank and that remaining in the engine. Expansion tank capacity:

0.6 ℓ (0.16 US gal , 0.13 Imp gal)

\* 4 : Excluding the oil remaining in the engine

\* 5 : 2.0 ℓ engine model with manual transmission

\* 6 : 2.0 ℓ engine model

\* 7 : Without headlight washer

\* 8 : With headlight washer

# Specifications

---

## Tyres

Size/Pressure	See tyre information label on driver's doorjamb or ask dealer for information.
---------------	--

## Alignment

Toe-in	Front	0.0 mm (0.00 in)
	Rear	in 2.0 mm (0.08 in)
Camber	Front	0°
	Rear	- 1°
Caster	Front	3°02'

## Suspension

Type	Front	Strut
	Rear	Double wishbone

## Steering

Type	Petrol models	Rack and pinion, with electrical power assistance
	Diesel models	Rack and pinion, with hydraulic power assistance

## Clutch

Type	Dry, single plate, diaphragm spring
------	-------------------------------------

## Brake

Type	Power assisted
Front	Ventilated disc
Rear	Solid disc
Parking	Mechanical

## Battery

Capacity	12 V – 45 AH/20 HR *2
	12 V – 74 AH/20 HR *1

\* 1 : Diesel models

\* 2 : Petrol model

## Fuses (Petrol models)

Interior	See page 518 or the fuse label attached to the lower dashboard.
Under-bonnet (Primary and secondary)	See page 517 or the fuse box cover.

## Fuses (Diesel models)

Interior	See page 520 or the fuse label attached to the lower dashboard.
Under-bonnet	See page 519 or the fuse box cover.

## Lights

Headlights	High beam	12 V – 60 W (HB3)
	Low beam	12 V – 55 W (H1) 12 V – 35 W (D2S) *1
Front turn signal lights		12 V – 21 W (AMBER)
Front position lights		12 V – 5 W
Side turn signal lights		See note below.
Rear turn signal lights		12 V – 21 W
Stop/taillights		12 V – 21/5 W
Back-up lights		12 V – 21 W
Tail-lights		12 V – 5 W
Rear fog light		12 V – 21 W
Front fog lights *2		12 V – 55 W (H11)
Licence plate lights		12 V – 5 W
High-mount brake light		12 V – 21 W
Ceiling light		12 V – 8 W
Spotlights		12 V – 8 W
Glove box light		12 V – 2 W
Vanity mirror lights		12 V – 2 W
Luggage area light		12 V – 8 W

\* 1 : On vehicles with high voltage discharge type low beam headlights, replacement of a low beam headlight bulb should be performed by your dealer.

\* 2 : For some types

## NOTE:

Replacement of the side turn signal light in the outside mirrors should be done by your dealer.



## Catalytic Converters (Petrol models)

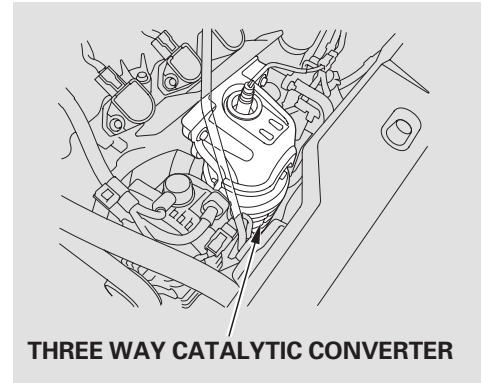
---

The three way catalytic converter contains precious metals that serve as catalysts, promoting chemical reactions to convert the exhaust gasses without affecting the metals. The catalytic converter is referred to as a three-way catalyst, since it acts on HC, CO, and NO<sub>x</sub>. A replacement unit must be an original Honda part or its equivalent.

The three way catalytic converter must operate at a high temperature for the chemical reactions to take place. It can set on fire any combustible materials that come near it. Park your vehicle away from high grass, dry leaves, or other flammables.

A defective three way catalytic converter contributes to air pollution, and can impair your engine's performance. Follow these guidelines to protect your vehicle's three way catalytic converter.

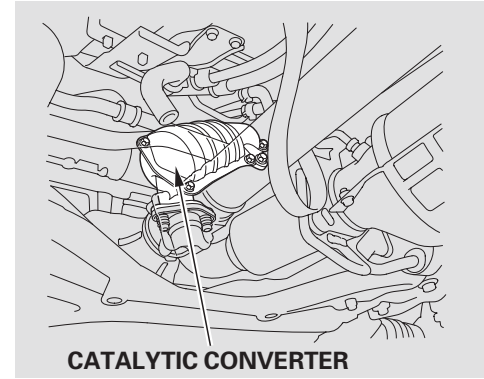
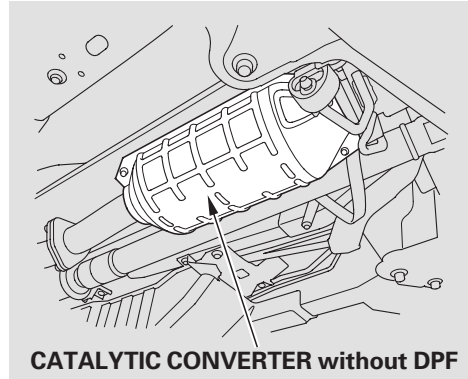
- Always use unleaded petrol. Even a small amount of leaded petrol can contaminate the catalyst metals, making the three way catalytic converter ineffective.



**THREE WAY CATALYTIC CONVERTER**

- Keep the engine well maintained.
- Have your vehicle diagnosed and repaired if it is misfiring, backfiring, stalling, or otherwise not running properly.

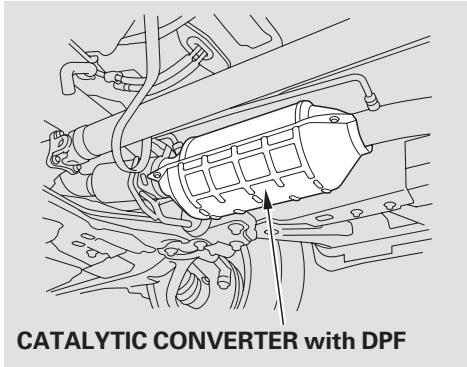
The catalytic converter contains precious metals that serve as catalysts, promoting chemical reactions to convert the exhaust gasses without affecting the metals. The catalytic converter is equipped with your vehicle to reduce HC, CO, NOx and PM. A replacement unit must be an original Honda part or its equivalent.



- Always use only diesel fuel recommended in this owner's manual (see page 295).

# Catalytic Converters (Diesel models)

## Diesel Particulate Filter (DPF) System (For some types)



Your vehicle is equipped with the diesel particulate filter (DPF) system to remove the particulate matter (PM) from the exhaust gas in normal high speed driving. The DPF is installed in the catalytic converter.

The PM will be burnt out and removed from the DPF at a periodically high temperature of the catalytic converter in normal high speed driving. While the PM is burnt, you may notice some changes on the instrument panel and the exhaust gas. The average fuel consumption on the multi-information display or the information display, depending on models, will be increased temporarily and some exhausted smoke from your vehicle may be visible.

The DPF system requires no regular maintenance. If you drive for long periods at slow speeds, particulate matter (PM) will be accumulated and the regeneration of DPF will be required. The condition of the accumulated PM will vary with the type of diesel fuel. Always use the recommended diesel fuel in this owner's manual (see page 332).



## *Diesel Particulate Filter (DPF) Indicator*

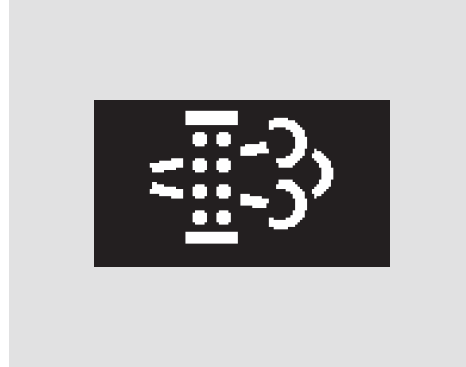
***On vehicles with information display***  
If this indicator blinks while the engine is running, the diesel particulate filter (DPF) should be regenerated to remove the accumulated particulate matter (PM).

To regenerate the DPF, when traffic allows, maintain a vehicle speed of at least 60 km/h (37 mph) and continue to drive until the indicator goes out (it may take up to about 10 minutes). This will increase the exhaust temperature and help to burn and remove the PM from the DPF.

If you ignore the indicator blinking, it stops blinking, then stays on. If this happens, take your vehicle to a Honda dealer as soon as possible to have the DPF system checked. If you ignore this indicator and continue driving, the DPF and your vehicle's emission control systems will be seriously damaged.

The catalytic converter with the DPF system must operate at a high temperature for the chemical reactions to take place. It can set on fire any combustible materials that come near it. Park your vehicle away from high grass, dry leaves, or other flammables.

### ***DPF (Regeneration Required)***



#### ***On vehicles with multi-information display***

If you see this symbol or this symbol with a “DPF REGENERATION REQUIRED” message on the multi-information display while the engine is running, it means the diesel particulate filter (DPF) should be regenerated to remove the accumulated particulate matter (PM).

To regenerate the DPF, when traffic allows, maintain a vehicle speed of at least 60 km/h (37 mph) and continue to drive until the symbol/message goes out (it may take up to about 10 minutes, depending on driving conditions). This will increase the exhaust temperature and help to burn and remove the PM from the DPF.

If you ignore this symbol/message and continue driving, the system warning switches to the symbol/message of DPF (check system). If this happens, take your vehicle to a Honda dealer as soon as possible to have the DPF system checked.

# Catalytic Converters (Diesel models)

---

## *DPF (Check System)*



### *On vehicles with multi-information display*

If you see this symbol or this symbol with a “CHECK SYSTEM” message on the multi-information display while the engine is running, it means the diesel particulate filter (DPF) is clogged with accumulated particulate matter (PM) and it should be checked, then repaired or replaced. Take your vehicle to a Honda dealer as soon as possible.

If you ignore this symbol/message and continue driving, the DPF and your vehicle’s emission control systems will be seriously damaged.

The catalytic converter and DPF system must operate at a high temperature for the chemical reactions to take place. It can set on fire any combustible materials that come near it. Park your vehicle away from high grass, dry leaves, or other flammables.

## A

Accessories and Modifications ....	341
ACCESSORY (Ignition Key Position) .....	177
Accessory Power Sockets.....	218
Adaptive Cruise Control (ACC)...	285
Indicator.....	91
Adaptive Front Lighting System (AFS).....	168
Indicator.....	92
Off Switch.....	169
Adding Engine Coolant.....	414, 416
Additives, Engine Oil .....	411, 413
Airbag (SRS) .....	14, 31
Air Bleeding.....	461
Air Cleaner Element.....	424, 425
Air Conditioning System.....	228, 235
Maintenance.....	443
Usage .....	233, 238
Air Outlets(Vents) .....	228, 235
Air Pressure, Tyres .....	450
Aluminium Wheels, Cleaning .....	465
Antifreeze .....	414, 416
Anti-lock Brakes (ABS) Indicator.....	86, 366

Operation.....	366
Anti-theft Steering Column Lock.....	177
Appearance Care .....	463
Ashtray.....	222
Audio System .....	245
Automatic Intermittent Wipers....	161
Automatic Lighting Feature Operation .....	165
System Warning .....	94, 127
Automatic Seat Belt Tensioners ....	27
Automatic Transmission.....	358
Capacity, Fluid .....	529
Checking Fluid Level .....	420
D3 Mode.....	360
Shifting.....	359
Position Indicators.....	358
Shift Lock Release.....	363
Auxiliary Input Jack.....	275

## B

Battery Charging System Indicator.....	84, 507
Jump Starting .....	496

Maintenance.....	457
Specifications .....	531
Before Driving .....	331
Belts, Seat .....	12, 24
Beverage Holders.....	217
Bonnet, Opening the .....	335
Booster Seats .....	68
Brakes Anti-lock System (ABS) .....	366
Break-in, New Linings .....	332
Bulb Replacement .....	435
Fluid .....	421
Parking.....	214
System Indicator.....	86, 512
Wear Indicators .....	365
Braking System.....	365
Break-in, New Vehicle .....	332
Brightness Control, Instruments .....	170
Brights, Headlights .....	164

CONTINUED

# Index

Bulb Replacement	
Back-up Lights .....	435
Brake Lights .....	435
Front Fog Lights .....	439
Front Position Lights .....	434
Headlights .....	429
High-mount Brake Light .....	437
Interior Lights .....	441
Licence Plate Lights .....	438
Rear Fog Light .....	435
Rear Lights .....	435
Specifications .....	531
Turn Signal Lights .....	433
Bulbs, Halogen .....	429, 439

## C

Capacities Chart .....	529
Carbon Monoxide Hazard .....	72
Carrying Luggage .....	343
Cassette Player	
Care .....	273
Operation .....	271
Catalytic Converter .....	532, 533
CAUTION, Explanation of .....	ii
CD Care .....	268

CD Changer .....	258
CD Changer Error	
Messages .....	269
CD Player .....	258
CD Player Error Messages .....	269
Ceiling Light .....	223
Chains, Tyres .....	455
Changing a Flat Tyre .....	473
Changing Oil	
When to .....	399
Charging System Indicator ....	84, 507
Chassis Number .....	524, 525
Checklist, Before Driving .....	350
Child Restraint Systems .....	49
Lower Anchorages .....	54
Tether Anchor Points .....	64
Child Restraint Systems for EU ....	52
Child Safety .....	39
Booster Seats .....	68
Child Restraint Systems .....	49
Important Safety	
Reminders .....	39, 44
Infants .....	46
Larger Children .....	67
Lower Anchorages .....	54
Risks with Airbags .....	40, 43

Small Children .....	48
Tethers .....	64
Where Should a Child Sit? .....	40
Childproof Door Locks .....	181
Cigarette Lighter .....	222
Cleaner Element, Air .....	424, 425
Cleaning	
Aluminium Wheels .....	465
Exterior .....	464
Interior .....	467
Seat Belts .....	469
Vinyl .....	468
Windows .....	468
Climate Control System .....	235
Clock .....	277
Clutch Fluid .....	421, 422
Coat Hook .....	221
Cold Weather, Starting in ....	352, 353
Collision Mitigation Brake	
System (CMBS) .....	368
Indicator .....	93
Off Switch .....	371
Radar .....	369
Symbol .....	128
Compact Spare Tyre .....	472
Console Compartment .....	219

Controls, Instruments and.....	75
Conversation Mirror .....	220
Coolant	
Adding.....	414, 416
Checking.....	338
Proper Solution .....	414, 416
Temperature Gauge .....	99
Corrosion Protection .....	470
Courtesy Light .....	225
Cruise Control Indicator .....	91
Cruise Control Operation .....	282
Cup Holders.....	217
Customized Settings.....	129

## D

DANGER, Explanation of .....	ii
Dashboard .....	2, 76
Daytime Running Lights.....	165
Dead Battery .....	496
Default Settings .....	129, 155
Defrosting the Windows.....	234,241
Demister, Rear Window .....	171
Detachable Anchor.....	199
Diesel Fuel.....	332

Diesel Particulate Filter(DPF) .....	534
Indicator.....	88
Symbol .....	124
Dimensions.....	526
Dimming the Headlights .....	164
Dipstick	
Automatic Transmission.....	419
Engine Oil.....	336
Directional Signals.....	164
Disc Brake Wear Indicators.....	365
Disc Player.....	258
Doors	
Locking and Unlocking.....	178
Power Door Locks.....	178
Downshifting	
Automatic Transmission.....	359
Manual Transmission .....	354
Driver and Passenger Safety.....	9
Driving .....	349
Economy .....	340
In Bad Weather.....	380
Off-Road Guidelines.....	393
Dual Button .....	240
Dual Deck Luggage Shelf .....	205
Dust and Pollen Filter .....	444
D3 Mode.....	360

## E

Economy, Fuel .....	340
Electric Power Steering (EPS)	
Indicator.....	89
Symbol .....	126
Emergencies.....	471
Battery, Jump Starting .....	496
Brake System Indicator .....	512
Changing a Flat Tyre .....	473
Charging System Indicator .....	507
Checking the Fuses.....	513
Hazard Warning Flashers .....	171
Honda TRK .....	479
Jump Starting .....	496
Low Oil Pressure Indicator .....	503
Malfunction Indicator	
Lamp .....	508, 509
Oil Level Indicator.....	504, 505
Overheated Engine .....	499, 501
PGM-FI Indicator.....	510
PGM-FI Warning .....	511
Towing .....	521
Tyre Sealant Kit.....	479

CONTINUED



Emergency Brake.....	214
Emergency Flashers .....	171
Emergency Towing .....	521
Engine	
Coolant Temperature Gauge .....	99
If It Won't Start .....	494
Malfunction Indicator	
Lamp .....	82, 508, 509
Oil Level Indicator	
(Amber) .....	84, 504
Oil Level Indicator	
(Multi-information) .....	121, 505
Oil Pressure Indicator.....	84, 503
Oil, What Kind to Use.....	410, 412
Overheating.....	499, 501
Specifications .....	528
Starting (Diesel models).....	353
Starting (Petrol models) .....	352
Engine Coolant .....	338, 414, 416
Engine Number .....	524, 525
e-Pretensioners .....	28
Exhaust Fumes .....	72
Expansion Tank .....	338, 416
Exterior, Cleaning the.....	464

## F

Fabric, Cleaning.....	468
Fan, Interior .....	231, 240
Features .....	227
Filling the Fuel Tank.....	333
Filters	
Air Cleaner .....	424, 425
Dust and Pollen.....	444
Fuel.....	426
Flashers, Hazard Warning.....	171
Flat Tyre, Changing a .....	473
Floor Mats .....	467
Fluids	
Automatic Transmission.....	419
Brake.....	421
Clutch.....	422
Manual Transmission .....	420
Power Steering.....	423
Rear Differential.....	421
Windscreen Washers.....	418
Folding Door Mirrors.....	213
Folding Rear Seat Down .....	195
Folding Rear Seat Forward .....	197
Four-way Flashers .....	171
Front Airbags .....	14, 32

Front Fog Lights.....	167
Front Seat .....	188
Adjusting.....	188, 189
Airbags.....	14, 31
Heaters.....	201
Fuel.....	332
Cutoff System .....	339
Diesel .....	332
Fill Door and Cap.....	333
Filter .....	426
Gauge .....	99
Low Fuel Indicator .....	96
Octane Requirement .....	332
Tank, Refueling .....	333
Fuses, Checking the.....	513

## G

Gauges	
Engine Coolant Temperature .....	99
Fuel.....	99
Speedometer .....	99
Tachometer .....	99
Gearshift Lever Positions	
Automatic Transmission.....	359
Manual Transmission .....	355

Glass Cleaning .....	468
Glove Box .....	216
Glow Plugs Indicator .....	85

## H

Halogen Headlight Bulbs.....	429
Hands-Free Telephone (HFT) System.....	309
Hazard Warning Flashers.....	171
Headlights	
Adjuster .....	173
Aiming.....	429
Daytime Running Lights .....	165
High Beam Indicator.....	94
Low Beams, Turning on .....	164
Reminder Beeper.....	164
Replacing Halogen Bulbs .....	429
Turning on.....	164
Washer.....	161
Head Restraints .....	192
Heated Mirrors .....	213
Heater, Seat.....	201
Heating and Cooling System.....	228

High Altitude, Starting at .....	352, 353
High-Low Beam Switch .....	164
High-mount Brake Light.....	437
Honda TRK .....	479
Horn .....	3, 4, 158
Hot Gas Heater .....	244
Hydraulic Clutch.....	422

## I

Identification Number, Vehicle .....	524, 525
Ignition	
Keys.....	175
Switch.....	177
Immobilizer System.....	176
Important Safety Precautions .....	10
Indicators/Symbols.....	82, 111
ABS (Anti-lock Brake) .....	86, 125
ACC .....	91, 128
AFS.....	92, 127
Brake (Parking and Brake System).....	86, 122, 512
Charging System .....	84, 125, 507
CMBS.....	93, 128
Cruise Control.....	91

EPS.....	89, 126
Glow Plugs.....	85
High Beam.....	94
Key (Immobilizer System) .....	88
Light Control.....	94
Low Fuel.....	96
Low Oil Pressure .....	84, 503
Malfunction Indicator Lamp .....	82, 508, 509
Oil Level (Amber) .....	84, 504
Oil Level (Symbol) .....	121, 505
PGM-FI .....	85, 123
Seat Belt.....	82, 114
SRS .....	87, 125
System Message.....	87
Trailer Stability Assist.....	92, 123
Turn Signal and Hazard Warning .....	93
VSA.....	90, 126, 378
VSA Activation.....	90, 378
Water in Fuel Filter .....	85
Indicators, Instrument Panel....	78, 82
Infant Restraint .....	46

CONTINUED

# Index

---

Infant Seats.....	46
Lower Anchorages .....	54
Tether Anchor Points .....	64
Inflation, Proper Tyre .....	450
Inside Mirror .....	212
Inspection, Tyre .....	451
Instrument Panel .....	78-81
Instrument Panel Brightness .....	170
Interior Cleaning.....	467
Interior Lights .....	223
Introduction.....	i

## J

Jacking up the Vehicle .....	475
Jack, Tyre .....	474
Jump Starting .....	496

## K

Keys.....	175
-----------	-----

## L

Lane Change, Signaling .....	164
Language Selection .....	154

Lap/Shoulder Belts .....	19, 25
Lights	
Bulb Replacement .....	427
Indicator.....	78, 82
Position .....	164
Turn Signal.....	164
Load Limits.....	344
LOCK (Ignition Key Position) .....	177
Lockable Retractor .....	59
Locks	
Anti-theft Steering Column .....	177
Fuel Fill Door .....	333
Glove Box .....	216
Power Door .....	178
Tailgate .....	186
Low Coolant Level.....	338
Low Fuel Indicator .....	96
Low Oil Pressure Indicator ....	84, 503
Lower Anchorages .....	54
Lower Gear, Downshifting to a....	354
Lubricant Specifications	
Chart .....	529
Luggage Area Light .....	224
Luggage Hooks.....	346
Luggage, How to Carry.....	344
Luggage Shelf .....	205

Luggage, Storing .....	343
------------------------	-----

## M

Maintenance.....	397
Owner's Maintenance	
Checks .....	400
Record.....	407
Safety.....	398
Schedule .....	399
Malfunction Indicator	
Lamp .....	82, 508, 509
Manual Transmission.....	354
Manual Transmission Fluid .....	420
Maximum Allowable Shift	
Speeds.....	356, 362
Maximum Permissible Weight ....	527
Meters, Gauges.....	78, 97
Mirrors, Adjusting.....	212
Modifying Your Vehicle.....	342
MP3 .....	259
Multi-Information Display .....	104

## N

Neutral (N) Position.....	360
---------------------------	-----

New Vehicle Break-in .....	332
Normal Shift Speeds.....	355
NOTICE, Explanation of.....	i
Numbers, Identification.....	524, 525

## O

Octane Requirement, Petrol.....	332
Odometer.....	100, 108
Odometer, Trip .....	100, 108
Off-Road Guidelines .....	393
Oil Change, When to .....	399
Checking Engine .....	336
Level Indicator .....	504, 505
Pressure Indicator .....	84, 503
Selecting Proper Viscosity Chart .....	411, 413
Oil Level Indicator (Amber)...	84, 504
Oil Level Indicator (Multi-information) .....	121, 505
ON (Ignition Key Position) .....	177
One-push Turn Signal .....	164
Outside Mirrors .....	212

Outside Temperature Indicator.....	102, 109
Overheating, Engine .....	499, 501
Owner's Maintenance Checks ....	400

## P

Paint Touch-up.....	466
Panel Brightness Control .....	170
Parking.....	364
Parking Brake .....	214
Parking Brake and Brake System Indicator.....	86, 512
Parking Over Things That Burn.....	364
Parking Sensor System.....	303
Indicators.....	95, 128
Park (P) Position .....	359
Petrol.....	332
Filling the Fuel Tank.....	333
Filter.....	426
Fuel Economy .....	340
Gauge .....	99
Low Fuel Indicator .....	96
Octane Requirement.....	332
Refueling.....	333

PGM-FI Indicator.....	85, 510
PGM-FI Warning.....	123, 511
Polishing and Waxing .....	465
Pollen Filter .....	444
Position Lights .....	164
Power Door Locks.....	178
Power Seat Adjustments.....	188
Power Windows .....	208
Pregnancy, Using Seat Belts .....	22
Primary Display Selection .....	148
Priming the Fuel System .....	461
Proper Seat Belt Usage.....	19
Protecting Adults and Teens.....	16
Additional Safety Precautions....	22
Advice for Pregnant Women.....	22
Protecting Children .....	39
Protecting Infants.....	46
Protecting Larger Children.....	67
Protecting Small Children .....	48
Using Child Restraint Systems with Tethers.....	64
Using Lower Anchorages.....	54

CONTINUED

## R

Radiator Overheating.....	499, 501
Radio/Disc Sound System.....	245
RDS.....	249
Rear Differential Fluid.....	421
Rear Fog Light.....	166, 167
Rear Lights, Bulb Replacement.....	435
Rear Seat Armrest.....	191
Rear Seat, Folding.....	195, 197
Rear View Mirror.....	212
Rear View Camera.....	308
Rear Window Demister.....	171
Rear Wiper.....	163
Reclining the Seat Backs.....	188, 189
Recommended Shift Speeds.....	355
Reminder Indicators.....	82
Remote Audio Controls.....	274
Remote Transmitter.....	182
Replacement Information Air Cleaner Element.....	424, 425
Dust and Pollen Filter.....	444
Fuel Filter.....	426
Fuses.....	513
Light Bulbs.....	427

Schedule.....	399
Spark Plugs.....	528
Tyres.....	530
Wiper Blades.....	446
Replacing Seat Belts After a Crash.....	29
Reserve Tank, Engine Coolant.....	338, 414
Restraint, Child.....	39
Reverse Lockout.....	357
Reverse (R) Position.....	359
Roof Rack.....	345
Rotation, Tyre.....	452

## S

Safety Belts.....	12, 24
Safety Features.....	11
Airbags.....	14
Seat Belts.....	12
Safety Labels, Location of.....	73
Safety Messages.....	ii
Seat Belts.....	12, 24
Additional Information.....	24
Automatic Seat Belt Tensioners.....	27

Cleaning.....	469
Detachable Anchor.....	199
e-Pretensioners.....	28
Lap/Shoulder Belt.....	19, 25
Maintenance.....	29
Reminder Indicator and Beeper.....	24, 82
System Components.....	24
Use During Pregnancy.....	22
Seat Heaters.....	201
Seats, Adjusting the.....	188, 189
Driver's Power Seat.....	188
Security System.....	279
Service Intervals.....	399
Service Station Procedures.....	333
Setting the Clock.....	277
Side Airbags.....	14, 34
How Your Side Airbags Work....	34
Risks to Children.....	43
Side Curtain Airbags.....	14, 34
Signaling Turns.....	164
Snow Tyres.....	454
Solvent-type Cleaners.....	464
Sound System.....	245



# Index

Transmission	
Fluid Selection.....	420
Identification Number.....	524
Shifting the Automatic.....	359
Shifting the Manual.....	354
Treadwear .....	451
Trip Computer .....	105
Trip Meter .....	100, 108
Turn Signals .....	164
Tyre Chains .....	455
Tyre, How to Change a Flat .....	473
Tyres .....	450
Air Pressure .....	450
Chains .....	455
Checking Wear .....	451
Compact Spare .....	472
Inflation.....	451
Inspection .....	451
Maintenance.....	452
Replacing .....	453
Rotating.....	452
Snow .....	454
Specifications .....	454, 530
TRK (Temporary Repair Kit) ..	479

## U

Ultrasonic Sensor .....	281
Underside, Cleaning.....	470
Unexpected, Taking Care of the .....	471
Upholstery Cleaning.....	467

## V

Vanity Mirror .....	221
Vehicle Capacity Load .....	344
Vehicle Dimensions.....	526
Vehicle Identification Number.....	524, 525
Vehicle Stability Assist (VSA) System.....	378
Vehicle Storage .....	459
Ventilation .....	232, 235
VIN .....	524, 525
Vinyl Cleaning.....	468
Viscosity, Oil .....	411, 413

## W

WARNING, Explanation of .....	ii
-------------------------------	----

Warning Labels, Location of .....	73
Washer, Windscreen Checking the Fluid Level .....	418
Operation.....	160
Washing .....	464
Water Draining .....	426
Indicator.....	85, 127
Waxing and Polishing .....	465
Wheels Adjusting the Steering .....	174
Alignment and Balance.....	452
Cleaning Aluminium Alloys.....	465
Compact Spare .....	472
Nut Wrench.....	475
Windows Auto Reverse.....	209
Cleaning .....	468
Operating the Power .....	208
Rear, Demister.....	171
Windscreen Automatic Intermittent Wipers.....	161
Cleaning .....	160, 468
Washers.....	160

Winter Tyres .....	454
Wiper Blades	
Changing.....	446
Operation .....	160
WMA .....	259
Worn Tyres .....	451
Wrecker, Emergency Towing.....	521