
This owner's manual should be considered a permanent part of the vehicle and should remain with the vehicle when it is sold.

This owner's manual covers all versions. Therefore, you may find descriptions of equipment and features that are not on your particular vehicle.

The information and specifications included in this publication were in effect at the time of approval for printing. Honda Motor Co., Ltd. reserves the right, however, to discontinue or change specifications or design at any time without notice and without incurring any obligation whatsoever.

Although this manual is applicable to both right-hand and left-hand drive models, the illustrations contained in this manual mainly refer to the left-hand drive models.

The illustrations of vehicles with diesel engine are noted by Diesel model, and these illustrations mainly refer to the right-hand drive models.

Congratulations! Your selection was a wise investment. It will give you years of driving pleasure.

One of the best ways to enhance the enjoyment of your new vehicle is to read this manual. In it, you will learn how to operate its driving controls and convenience items. Afterwards, keep this owner's manual in your vehicle so you can refer to it at any time.

Several other booklets explain the warranties that protect your new vehicle. Read the Service Book/warranty booklet thoroughly so you understand the coverages and are aware of your rights and responsibilities.

Maintaining your vehicle according to the schedules given in this manual or the separate service information booklet helps to keep your driving trouble-free while it preserves your investment. When your vehicle needs maintenance, keep in mind that your dealer's staff is specially trained in servicing the many systems unique to your vehicle. Your dealer is dedicated to your satisfaction and will be pleased to answer any questions and concerns.

Best wishes and happy motoring.

Symbols   on labels attached to your vehicle are to remind you to read this owner's manual for proper and safe operation of your vehicle.

As you read this manual, you will find information that is preceded by a **NOTICE** symbol. This information is intended to help you avoid damage to your vehicle, other property, or the environment.

(On German type)

1. Mounting the front licence plate:
Mount the front licence plate to the provided holder taking care that the upper edge of the licence plate does not project above the upper surface of the bumper.
2. Mounting the rear licence plate:
Mount the rear licence plate to the back of the vehicle so that its lower edge is flush with the lower end of the surface provided for mounting.


A Few Words About Safety

Your safety, and the safety of others, is very important. And operating this vehicle safely is an important responsibility.

To help you make informed decisions about safety, we have provided operating procedures and other information on labels and in this manual. This information alerts you to potential hazards that could hurt you or others.

Of course, it is not practical or possible to warn you about all the hazards associated with operating or maintaining your vehicle. You must use your own good judgement.

You will find this important safety information in a variety of forms, including:

- **Safety Labels** — on the vehicle.
- **Safety Messages** — preceded by a safety alert symbol  and one of three signal words: **DANGER**, **WARNING**, or **CAUTION**. These signal words mean:

 **DANGER**

You WILL be KILLED or SERIOUSLY HURT if you don't follow instructions.

 **WARNING**

You CAN be KILLED or SERIOUSLY HURT if you don't follow instructions.

 **CAUTION**

You CAN be HURT if you don't follow instructions.

- **Safety Headings** — such as Important Safety Reminders or Important Safety Precautions.
- **Safety Section** — such as Driver and Passenger Safety.
- **Instructions** — how to use this vehicle correctly and safely.

This entire book is filled with important safety information — please read it carefully.

Turn to the beginning of each section for a complete list of subjects.

Your Vehicle at a Glance..... 2

Driver and Passenger Safety..... 7

Important information about the proper use and care of your vehicle's seat belts, an overview of the supplemental restraint system, and valuable information on how to protect children with child restraints.

Instruments and Controls 69

Explains the purpose of each instrument panel indicator, message and symbol on the multi-information display and gauge, and how to use the controls on the dashboard and steering column.

Features..... 187

How to operate the heating and ventilation system/climate control system, the audio system, and other convenience features.

Before Driving 297

What fuel to use, how to break-in your new vehicle, and how to load luggage and other cargo.

Driving..... 315

The proper way to start the engine, shift the transmission, and park; plus what you need to know if you're planning to tow a trailer.

Maintenance 353

The maintenance schedule shows you when you need to take your vehicle to the dealer. There is also a list of things to check and instructions on how to check them.

Appearance Care 423

Tips on cleaning and protecting your vehicle.

Taking Care of the Unexpected 431

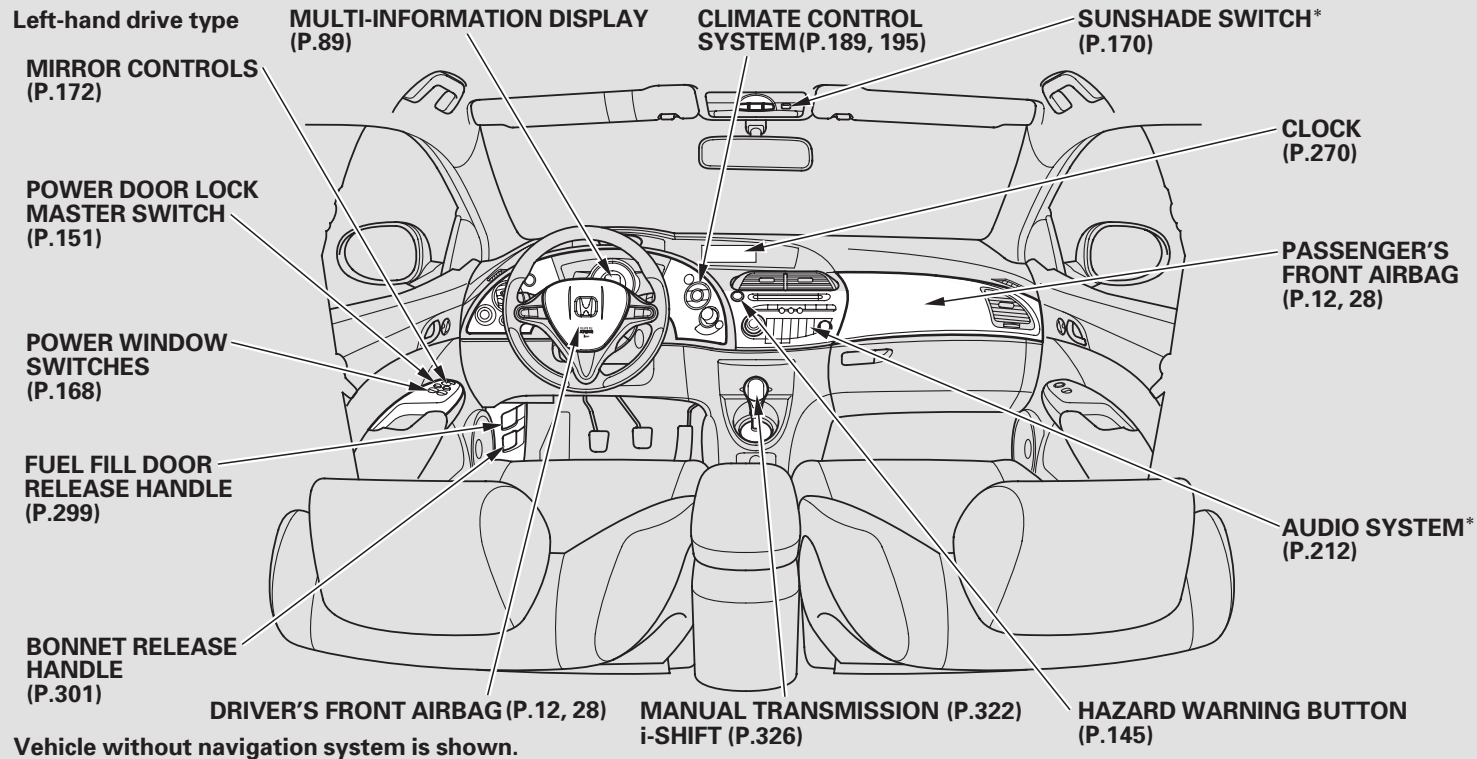
This section covers several problems motorists sometimes experience, and details how to handle them.

Technical Information..... 483

ID numbers, dimensions, capacities, and technical information.

Index 497

Your Vehicle at a Glance



*: If equipped

Left-hand drive type

HEADLIGHTS/TURN SIGNALS/
REAR FOG LIGHTS/
FRONT FOG LIGHTS*⁴
(P.140, 142, 143)

ENGINE START BUTTON
(P.318, 319, 320)

HEADLIGHT ADJUSTER (P.146)

HANDS-FREE
TELEPHONE
SYSTEM
BUTTONS*³
(P.280)

VOICE CONTROL
BUTTONS*²

VSA OFF SWITCH
(P.342)

INSTRUMENT PANEL
BRIGHTNESS
(P.144)

WINDSCREEN WIPERS/
WASHERS (P.137)

REAR WINDOW DEMISTER/
HEATED MIRROR
(P.145, 173)

HAZARD WARNING
BUTTON
(P.145)

CRUISE CONTROL
BUTTONS*⁴
(P.276)

CIGARETTE LIGHTER
(P.182)

HORN*¹

MULTI-INFORMATION
BUTTONS
(P.90)

REMOTE AUDIO
CONTROLS*⁴
(P.269)

STEERING WHEEL
ADJUSTMENT
(P.147)

Vehicle without navigation system is shown.

* 1 : To use the horn, press the centre pad of the steering wheel.

* 2 : Only on vehicles equipped with navigation system. Refer to the navigation system manual.

* 3 : Optional on vehicles with navigation system

* 4 : If equipped

Your Vehicle at a Glance

Right-hand drive type

CLIMATE CONTROL SYSTEM (P.189, 195)

SUNSHADE SWITCH* (P.170)

MULTI-INFORMATION DISPLAY (P.89)

MIRROR CONTROLS (P.172)

PASSENGER'S FRONT AIRBAG (P.12, 28)

POWER DOOR LOCK MASTER SWITCH (P.151)

CLOCK (P.270)

AUDIO SYSTEM* (P.212)

POWER WINDOW SWITCHES (P.168)

HAZARD WARNING BUTTON (P.145)

FUEL FILL DOOR RELEASE HANDLE (P.299)

MANUAL TRANSMISSION (P.322)
i-SHIFT (P.326)

DRIVER'S FRONT AIRBAG (P.12, 28)

BONNET RELEASE HANDLE (P.301)

Vehicle without navigation system is shown.

*: If equipped

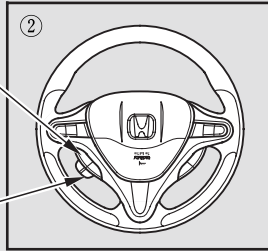
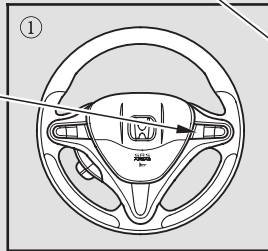
Right-hand drive type

HAZARD WARNING BUTTON
(P.145)

**MULTI-
INFORMATION
BUTTONS**
(P.90)

**HANDS-FREE
TELEPHONE
SYSTEM
BUTTONS*3**
(P.280)

**VOICE CONTROL
BUTTONS*2**



- ① Without cruise control
- ② With navigation system

**REAR WINDOW DEMISTER/
HEATED MIRROR**
(P.145, 173)

**HEADLIGHTS/TURN SIGNALS/
REAR FOG LIGHTS/
FRONT FOG LIGHTS*4**
(P.140, 142, 143)

**mph to km/h
CHANGE BUTTON**
(P.85)

VSA OFF SWITCH
(P.342)

**WINDSCREEN
WIPERS/WASHERS**
(P.317)

**ENGINE START
BUTTON**
(P.318, 319, 320)

**HEADLIGHT
ADJUSTER**
(P.146)

**CRUISE CONTROL
BUTTONS*4**
(P.276)

**MULTI-
INFORMATION
BUTTONS** (P.90)

HORN*1

**CIGARETTE
LIGHTER** (P.182)

**STEERING WHEEL
ADJUSTMENT** (P.147)

**INSTRUMENT PANEL
BRIGHTNESS** (P.144)

**REMOTE AUDIO
CONTROLS*4** (P.269)

Vehicle without navigation system is shown.

- * 1 : To use the horn, press the centre pad of the steering wheel.
- * 2 : Only on vehicles equipped with navigation system. Refer to the navigation system manual.
- * 3 : Optional on vehicles with navigation system
- * 4 : If equipped

This section gives you important information about how to protect yourself and your passengers. It shows you how to use seat belts. It explains how your airbags work. And it tells you how to properly restrain infants and children in your vehicle.

Important Safety Precautions	8
Your Vehicle's Safety Features.....	9
Seat Belts	10
Airbags.....	12
Protecting Adults and Teens.....	14
1. Close the Doors	14
2. Adjust the Front Seats	15
3. Adjust the Seat-Backs	16
4. Adjust the Head Restraints	16
5. Fasten and Position the Seat Belts	17
6. Maintain a Proper Sitting Position	19
Advice for Pregnant Women.....	20
Additional Safety Precautions....	20
Additional Information About Your Seat Belts.....	22

Seat Belt System Components... 22	22
Lap/Shoulder Belt	23
Automatic Seat Belt Tensioners.....	24
Seat Belt Maintenance	25
Additional Information About Your Airbags	27
Airbag System Components.....	27
How Your Front Airbags Work.....	28
How Your Side Airbags Work... 29	29
How Your Side Curtain Airbags Work.....	30
How the SRS Indicator Works... 30	30
Airbag Service	32
Additional Safety Precautions....	32
Protecting Children – General Guidelines.....	34
All Children Must Be Restrained	34
All Children Should Sit in a Back Seat	35
The Passenger's Front Airbag Poses Serious Risks.....	35
The Side Airbag Poses Serious Risks.....	38

If You Must Drive with Several Children	39
If a Child Requires Close Attention	39
Additional Safety Precautions....	39
Protecting Infants and Small Children	41
Protecting Infants.....	41
Protecting Small Children	43
Selecting a Child Restraint System.....	44
Installing a Child Restraint System.....	46
Child Restraint System for EU Countries	47
With the Lower Anchorages	49
With a Lap/Shoulder Belt	52
With a Tether.....	58
Protecting Larger Children	60
Checking Seat Belt Fit	61
Using a Booster Seat.....	61
When Can a Larger Child Sit in Front.....	63
Additional Safety Precautions....	64
Carbon Monoxide Hazard	65
Safety Labels	66

Important Safety Precautions

You'll find many safety recommendations throughout this section, and throughout this manual. The recommendations on this page are the ones we consider to be the most important.

Always Wear Your Seat Belt

A seat belt is your best protection in all types of collisions. Airbags are designed to supplement seat belts, not replace them. So even though your vehicle is equipped with airbags, make sure you and your passengers always wear your seat belts, and wear them properly (see page 17).

Restrain All Children

Children age 12 and under should ride properly restrained in a back seat, not the front seat. Infants and small children should be restrained in a child restraint system. Larger children should use a booster seat and a lap/shoulder belt until they can use the belt properly without a

booster seat (see pages 34 – 64).

Be Aware of Airbag Hazards

While airbags can save lives, they can cause serious or fatal injuries to occupants who sit too close to them, or are not properly restrained. Infants, young children, and short adults are at the greatest risk. Be sure to follow all instructions and warnings in this manual.

Don't Drink and Drive

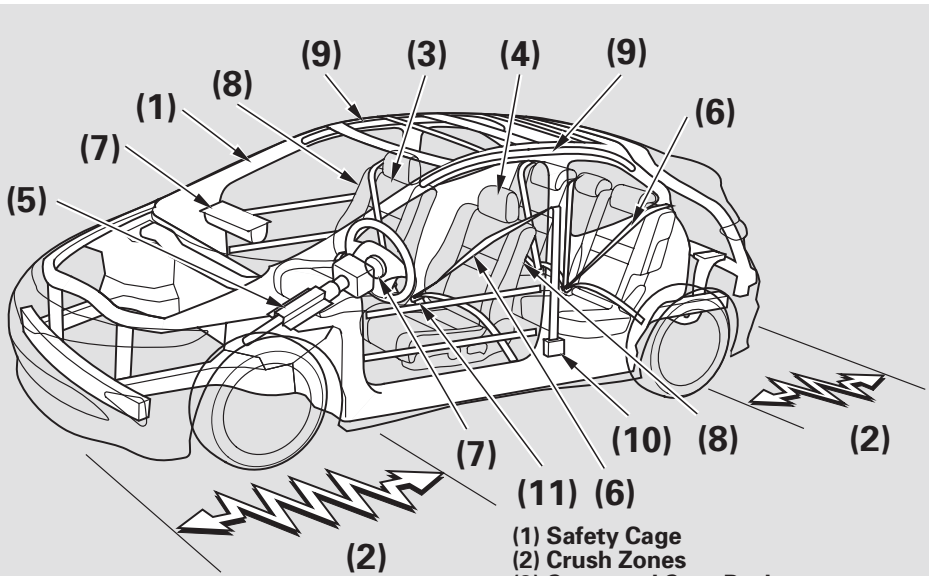
Alcohol and driving don't mix. Even one drink can reduce your ability to respond to changing conditions, and your reaction time gets worse with every additional drink. So don't drink and drive, and don't let your friends drink and drive, either.

Control Your Speed

Excessive speed is a major factor in crash injuries and deaths. Generally, the higher the speed, the greater the risk, but serious injuries can also occur at lower speeds. Never drive faster than is safe for current conditions, regardless of the maximum speed posted.

Keep Your Vehicle in Safe Condition

Having a tyre blowout or a mechanical failure can be extremely hazardous. To reduce the possibility of such problems, check your tyre pressures and condition frequently, and perform all regularly scheduled maintenance (see page 355 , and for EU countries, Australia, and New Zealand, see the separate service information booklet that came with your vehicle).



*: On some models

- (1) Safety Cage
- (2) Crush Zones
- (3) Seats and Seat-Backs
- (4) Head Restraints
- (5) Collapsible Steering Column
- (6) Seat Belts
- (7) Front Airbags
- (8) Side Airbags
- (9) Side Curtain Airbags*
- (10) Front Seat Belt Tensioners
- (11) Front Seat Belt Buckle Tensioners

Your vehicle is equipped with many features that work together to protect you and your passengers during a crash.

Some features do not require any action on your part. These include a strong steel framework that forms a safety cage around the passenger compartment, front and rear crush zones, a collapsible steering column, and tensioners that tighten the front seat belts in a crash.

However, you and your passengers can't take full advantage of these features unless you remain sitting in a proper position and ***always wear your seat belts.*** In fact, some safety features can contribute to injuries if they are not used properly.

The following pages explain how you can take an active role in protecting yourself and your passengers.

Your Vehicle's Safety Features

Seat Belts

Your vehicle is equipped with seat belts in all seating positions.

Your seat belt system also includes an indicator on the instrument panel to remind you and your passengers to fasten your seat belts.

Why Wear Seat Belts

Seat belts are the single most effective safety device for adults and larger children. (Infants and smaller children must be properly restrained in child restraint systems.)

Not wearing a seat belt properly increases the chance of serious injury or death in a crash, even though your vehicle has airbags.

In most European Countries there is a law covering the use of seat belts. Please take time to familiarize yourself with the legal requirements of the countries in which you will drive.

WARNING

Not wearing a seat belt properly increases the chance of serious injury or death in a crash, even though your vehicle has airbags.

Be sure you and your passengers always wear seat belts and wear them properly.

When properly worn, seat belts:

- Keep you connected to the vehicle so you can take advantage of the vehicle's built-in safety features.
- Help protect you in almost every type of crash, including frontal, side, and rear impacts and rollovers.
- Help keep you from being thrown against the inside of the vehicle and against other occupants.
- Keep you from being thrown out of the vehicle.
- Help keep you in a good position should the airbags ever deploy. A good position reduces the risk of injury from an inflating airbag and allows you to get the best advantage from the airbag.

Of course, seat belts cannot completely protect you in every crash. But in most cases, seat belts can reduce your risk of serious injury.

What You Should Do:

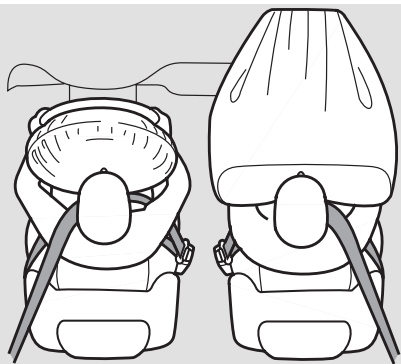
Always wear your seat belt, and make sure you wear it properly.

WARNING:

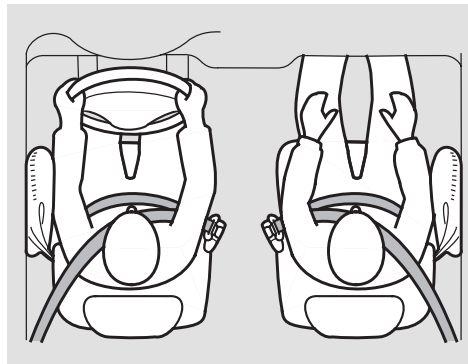
- *Seat belts are designed to bear upon the bony structure of the body, and should be worn low across the front of the pelvis or the pelvis, chest and shoulders, as applicable; wearing the lap section of the belt across the abdominal area must be avoided.*
- *Seat belts should be adjusted as firmly as possible, consistent with comfort, to provide the protection for which they have been designed. A slack belt will greatly reduce the protection afforded to the wearer.*
- *Belts should not be worn with straps twisted.*
- *Each belt assembly must only be used by one occupant; it is dangerous to put a belt around a child being carried on the occupant's lap.*

Your Vehicle's Safety Features

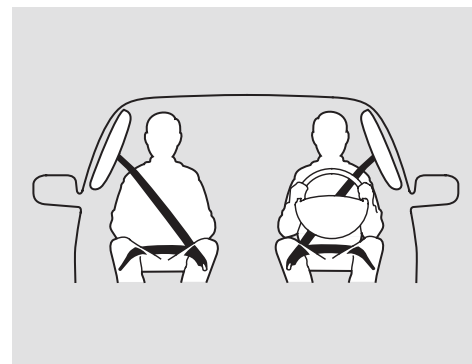
Airbags



Your vehicle has a supplemental restraint system (SRS) with front airbags to help protect the heads and chests of the driver and a front seat passenger during a moderate to severe frontal collision (see page 28 for more information on how your front airbags work).



Your vehicle also has side airbags to help protect the upper torso of the driver or a front seat passenger during a moderate to severe side impact (see page 29 for more information on how your side airbags work).



Only on models equipped with side curtain airbags
In addition, your vehicle has side curtain airbags to help protect the heads of the driver, front passenger, and passengers in the outer rear seating positions during a moderate to severe side impact (see page 30 for more information on how your side curtain airbags work).

The most important things you need to know about your airbags are:

- ***Airbags do not replace seat belts.*** They are designed to supplement the seat belts.
- ***Airbags offer no protection in rear impacts, or minor frontal or side collisions.***
- ***Airbags can pose serious hazards.*** To do their job, airbags must inflate with tremendous force. So while airbags help save lives, they can cause minor injuries or more serious or even fatal injuries if occupants are not properly restrained or sitting properly.

What you should do: Always wear your seat belt properly, and sit upright and as far back from the steering wheel as possible while allowing full control of the vehicle. A front passenger should move their seat as far back from the dashboard as possible.

The rest of this section gives more detailed information about how you can maximize your safety.

Remember, however, that no safety system can prevent all injuries or deaths that can occur in a severe crash, even when seat belts are properly worn and the airbags deploy.

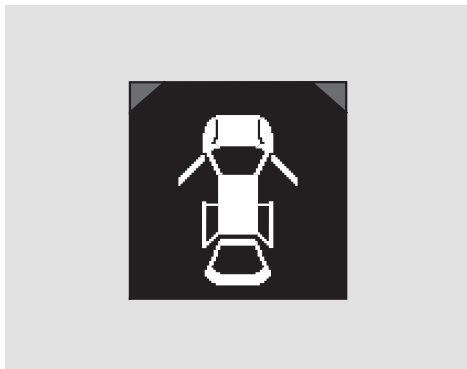
Introduction

The following pages provide instructions on how to properly protect the driver, adult passengers, and teenage children who are large enough and mature enough to drive or ride in the front.

See pages 34 – 40 for important guidelines on how to properly protect infants, small children, and larger children who ride in your vehicle.

1. Close the Doors

After everyone has entered the vehicle, be sure the doors and the tailgate are closed.

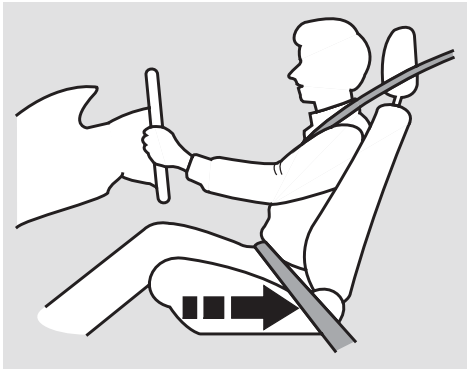


Your vehicle has a door and tailgate open monitor display on the multi-information display to indicate when a specific door or the tailgate is not tightly closed.

The above illustration shows that all doors and the tailgate are open.

See page 99 for how the monitor display works.

2. Adjust the Front Seats



Adjust the driver's seat as far to the rear as possible while allowing you to maintain full control of the vehicle. Have a front passenger adjust their seat as far to the rear as possible.

If you sit too close to the steering wheel or dashboard, you can be seriously injured by an inflating front airbag, or by striking the steering wheel or dashboard.

In addition to adjusting the seat, you can adjust the steering wheel up and down, and in and out (see page 147).

If you cannot get far enough away from the steering wheel and still reach the controls, we recommend that you investigate whether some type of adaptive equipment may help.

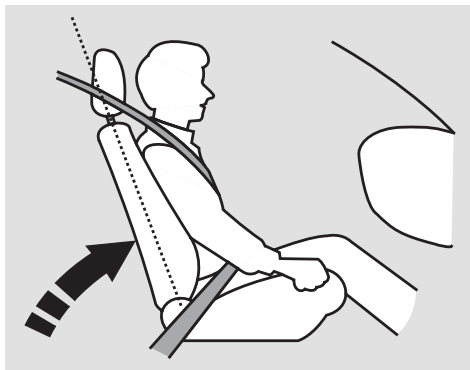
After you adjust a manual seat, rock it back and forth to make sure it is locked into position. See page 160 for how to adjust the front seats.

⚠ WARNING

Sitting too close to a front airbag can result in serious injury or death if the front airbags inflate.

Always sit as far back from the front airbags as possible.

3. Adjust the Seat-Backs



Adjust the driver's seat-back to a comfortable, upright position, leaving ample space between your chest and the airbag cover in the centre of the steering wheel.

Passengers with adjustable seat-backs should also adjust their seat-back to a comfortable, upright position.

⚠ WARNING

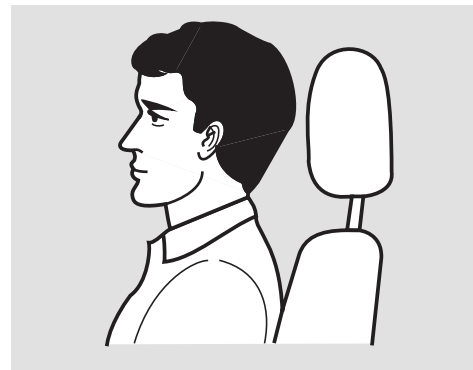
Reclining the seat-back too far can result in serious injury or death in a crash.

Adjust the seat-back to an upright position, and sit well back in the seat.

Reclining a seat-back so that the shoulder part of the belt no longer rests against the occupant's chest reduces the protective capability of the belt. It also increases the chance of sliding under the belt in a crash and being seriously injured. The farther a seat-back is reclined, the greater the risk of injury.

See page 160 for how to adjust the seat-backs.

4. Adjust the Head Restraints



Adjust the driver's head restraint so the back of your head rests against the centre of the restraint.

Have passengers with adjustable head restraints adjust their restraints properly as well. Taller persons should adjust their restraint as high as possible.

Except for Type-R model

When a passenger is seated in the rear centre seating position, make sure the centre head restraint is adjusted to its highest position.

⚠ WARNING

Improperly positioning head restraints reduces their effectiveness and you can be seriously injured in a crash.

Make sure head restraints are in place and positioned properly before driving.

Properly adjusted head restraints will help protect occupants from whiplash and other crash injuries.

See page 162 for how to adjust the head restraints.

5. Fasten and Position the Seat Belts

Insert the latch plate into the buckle, then tug on the belt to make sure the belt is securely latched. Check that the belt is not twisted, because a twisted belt can cause serious injuries in a crash.



Position the lap part of the belt as low as possible across your hips, then pull up on the shoulder part of the belt so the lap part fits snugly. This lets your strong pelvic bones take the force of a crash and reduces the chance of internal injuries.

CONTINUED

Protecting Adults and Teens

If necessary, pull up on the belt again to remove any slack, then check that the belt rests across the centre of your chest and over your shoulder.

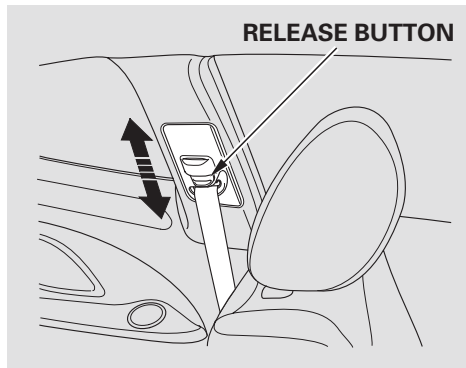
This spreads the forces of a crash over the strongest bones in your upper body.

⚠ WARNING

Improperly positioning the seat belts can cause serious injury or death in a crash.

Make sure all seat belts are properly positioned before driving.

If the seat belt touches or crosses your neck, or if it crosses your arm instead of your shoulder, you need to adjust the seat belt anchor height.



The front seats have adjustable seat belt anchors. To adjust the height of an anchor, press and hold the release button and slide the anchor up or down as needed (it has four positions).

Never place the shoulder portion of a lap/shoulder belt under your arm or behind your back. This could cause very serious injuries in a crash.

If a seat belt does not seem to work properly, it may not protect the occupant in a crash.

No one should sit in a seat with an inoperative seat belt. Using a seat belt that is not working properly can result in serious injury or death. Have your dealer check the belt as soon as possible.

See page 22 for additional information about your seat belts and how to take care of them.

6. Maintain a Proper Sitting Position

After all occupants have adjusted their seats and put on seat belts, it is very important that they continue to sit upright, well back in their seats, with their feet on the floor, until the vehicle is parked and the engine is off.

Sitting improperly can increase the chance of injury during a crash. For example, if an occupant slouches, lies down, turns sideways, sits forward, leans forward or sideways, or puts one or both feet up, the chance of injury during a crash is greatly increased.

In addition, an occupant who is out of position in the front seat can be seriously or fatally injured in a crash by striking interior parts of the vehicle or being struck by an inflating front airbag.

In a front passenger leans sideways and his head is in the deployment path of the side airbag, an inflating side airbag can strike the passenger with enough force to very seriously injure him.

WARNING

Sitting improperly or out of position can result in serious injury or death in a crash.

Always sit upright, well back in the seat, with your feet on the floor.

Protecting Adults and Teens

Advice for Pregnant Women



If you are pregnant, the best way to protect yourself and your unborn child when driving or riding in a vehicle is to always wear a seat belt, and keep the lap part of the belt as low as possible across the hips.

When driving, remember to sit upright and adjust the seat as far back as possible while allowing full control of the vehicle. When riding as a front passenger, adjust the seat as far back as possible.

This will reduce the risk of injuries to both you and your unborn child that can be caused by a crash or an inflating front airbag.

Each time you have a checkup, ask your doctor if it's okay for you to drive.

Additional Safety Precautions

- ***Never let passengers ride on top of a folded-down rear seat.*** If they do, they could be very seriously injured in a crash.
- ***Passengers should not stand up or change seats while the vehicle is moving.*** A passenger who is not wearing a seat belt during a crash or emergency stop can be thrown against the inside of the vehicle, against other occupants, or out of the vehicle.
- ***Two people should never use the same seat belt.*** If they do, they could be very seriously injured in a crash.

- ***Do not put any accessories on seat belts.*** Devices intended to improve occupant comfort or reposition the shoulder part of a seat belt can reduce the protective capability of the seat belt and increase the chance of serious injury in a crash.
- ***Do not place hard or sharp objects between yourself and a front airbag.*** Carrying hard or sharp objects on your lap, or driving with a pipe or other sharp object in your mouth, can result in injuries if your front airbag inflates.
- ***Keep your hands and arms away from the airbag covers.*** If your hands or arms are close to an airbag cover, they could be injured if the airbag inflates.
- ***Do not attach or place objects on the front airbag covers.*** Objects on the covers marked “SRS AIRBAG” could interfere with the proper operation of the airbags or be propelled inside the vehicle and hurt someone if the airbags inflate.
- ***Do not attach hard objects on or near a door.*** If a side airbag or a side curtain airbag inflates, a cup holder or other hard object attached on or near the door could be propelled inside the vehicle and hurt someone.
- ***On models with side curtain airbags, do not put a coat hanger or hard objects on a coat hook.*** This could result in injuries if your side curtain airbags inflates.

Additional Information About Your Seat Belts

Seat Belt System Components

Your seat belt system includes lap/shoulder belts in all seating positions. The front seat belts are also equipped with automatic seat belt tensioners.



The seat belt system includes an indicator on the instrument panel and a beeper to remind you and your passengers to fasten your seat belts.



This system monitors the seat belts in all seating positions.

If you turn the ignition switch to the ON (II) position before your seat belt is fastened, the beeper will sound and the indicator will flash. If your seat belt is not fastened before the beeper stops, the indicator will stop flashing but remain on.

If a front passenger does not fasten their seat belt, the indicator will come on about 6 seconds after the ignition switch is turned to the ON (II) position.

If either the driver or a front passenger does not fasten their seat belt while driving, the beeper will sound and the indicator will flash again at regular intervals.

When no one is sitting in the front passenger's seat, or a child or small adult is riding there, the indicator should not come on and the beeper should not sound.

You will also see a symbol “  ” (for a driver)/“  ” (for a front passenger), or a “FASTEN SEAT BELT” or “PASSENGER FASTEN SEAT BELT” message with a symbol on the multi-information display to remind you and your passengers to fasten your seat belts.

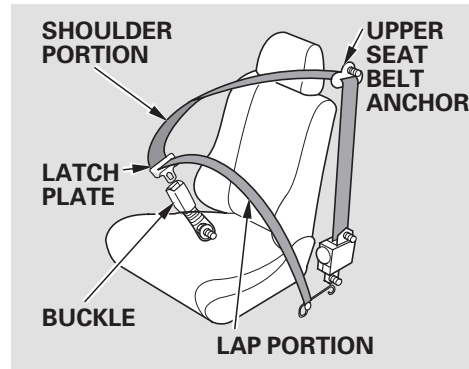
The seat belt system also monitors the seat belt use of all rear seating positions according to each seat belt buckle latch function. The multi-information display will show you the seat belt use on the rear seat (see page 98).

The front passenger's seat belt use monitoring system uses the occupant detection sensor in the front passenger's seat. The system may not work properly under these conditions:

- You place heavy items on the front passenger's seat.
- You place a cushion on the front passenger's seat.
- The front passenger is not sitting properly.

Have your vehicle checked by a dealer if the indicator comes on or the beeper sounds when there is no front passenger or there are no objects on the front seat.

Lap/Shoulder Belt



The lap and shoulder belt goes over your shoulder, across your chest, and across your hips.

To fasten the belt, insert the latch plate into the buckle, then tug on the belt to make sure the buckle is latched (see page 17 for how to properly position the belt).

To unlock the belt, press the red PRESS button on the buckle. Guide the belt across your body so that it retracts completely. After exiting the vehicle, be sure the belt is out of the way and will not get closed in the door.

All seat belts have an emergency locking retractor. In normal driving, the retractor lets you move freely in your seat while it keeps some tension on the belt. During a collision or sudden stop, the retractor automatically locks the belt to help restrain your body.

CONTINUED

Additional Information About Your Seat Belts

The seat belts in all rear seating positions have an additional lockable retractor that must be activated to secure a child restraint (see page 52).

If the shoulder part of the belt is pulled all the way out, the lockable retractor will activate. The belt will retract, but it will not allow the passenger to move freely.

To deactivate the lockable retractor, unlatch the buckle and let the seat belt fully retract. To refasten the seat belt, pull it out only as far as needed.

Automatic Seat Belt Tensioners



For added protection, the front seat belts are equipped with automatic seat belt tensioners. When activated, the tensioners immediately tighten the belts to help hold the driver and a front passenger in position.

The tensioners are designed to activate in any collision severe enough to cause the front airbags to deploy.

If a side or side curtain airbag deploys during a side impact, the tensioner on that side of the vehicle will also deploy.

When the tensioners are activated, the seat belts will remain tight until they are unbuckled.



The SRS indicator will come on if there is a problem with your automatic seat belt tensioners (see page 30).

Seat Belt Maintenance

For safety, you should check the condition of your seat belts regularly.

Pull each belt out fully, and look for frays, cuts, burns, and wear. Check that the latches work smoothly and the belts retract easily. If a belt does not retract easily, cleaning the belt may correct the problem (see page 429). Any belt that is not in good condition or working properly will not provide good protection and should be replaced as soon as possible.

WARNING: *No modifications or additions should be made by the user which will either prevent the seat belt adjusting devices from operating to remove slack, or prevent the seat belt assembly from being adjusted to remove slack.*

If a seat belt is worn during a crash, it must be replaced by the dealer. A belt that has been worn during a crash may not provide the same level of protection in a subsequent crash.

The dealer should also inspect the anchors for damage and replace them if needed. If the automatic seat belt tensioners activate during a crash, they must be replaced.

WARNING: *It is essential to replace the entire assembly after it has been worn in a severe impact even if damage to the assembly is not obvious.*

WARNING: *Care should be taken to avoid contamination of the webbing with polishes, oils and chemicals, and particularly battery acid. Cleaning may safely be carried out using mild soap and water. The belt should be replaced if webbing becomes frayed, contaminated or damaged.*

WARNING

Not checking or maintaining seat belts can result in serious injury or death if the seat belts do not work properly when needed.

Check your seat belts regularly and have any problem corrected as soon as possible.

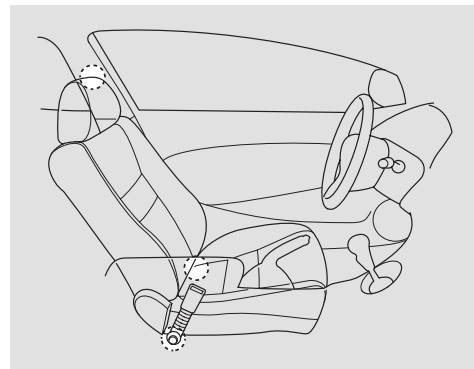
CONTINUED

Additional Information About Your Seat Belts

Anchorage Points

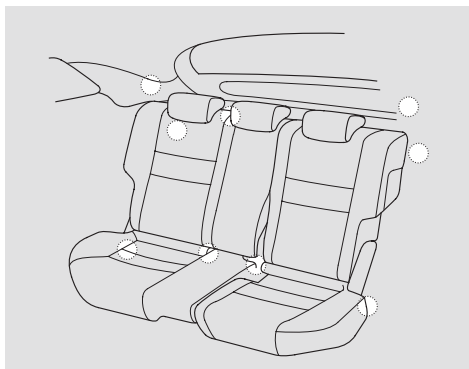
When replacing the seat belts, make certain to use the anchorage points shown in the illustrations.

(Front Seat)



(Rear Seat)

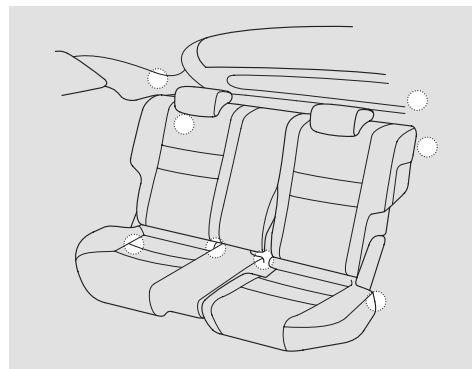
Except for Type-R model



The rear seat has three lap/shoulder belts.

(Rear Seat)

Type-R model



The rear seat has two lap/shoulder belts.

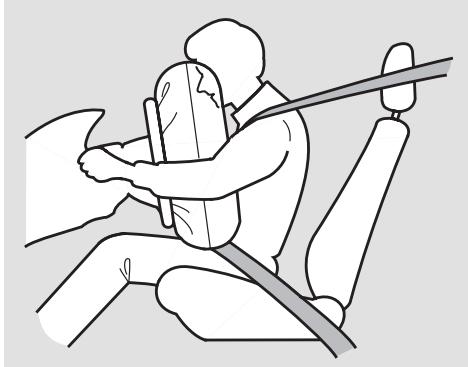
Airbag System Components

Your airbag system includes:

- Two SRS (supplemental restraint system) front airbags. The driver's airbag is stored in the centre of the steering wheel; the front passenger's airbag is stored in the dashboard. Both are marked "SRS AIRBAG" (see page 28).
- Two side airbags, one for the driver and one for a front passenger. The airbags are stored in the outer edges of the seat-backs. Both are marked "SIDE AIRBAG" (see page 29).
- On models equipped with two side curtain airbags, one for each side of the vehicle. The airbags are stored in the ceiling, above the side windows. The front and rear pillars on both sides are marked "SIDE CURTAIN AIRBAG" (see page 30).
- Automatic front seat belt tensioners (see page 24).
- Sensors that can detect a moderate to severe front impact or side impact.
- Sensors that can detect whether the driver's seat belt and a front passenger's seat belt is latched or unlatched (see page 22).
- A sophisticated electronic system that continually monitors and records information about the sensors, the control unit, the airbag activators, the seat belt tensioners, and driver and front passenger seat belt use when the ignition switch is in the ON (II) position.
- An indicator on the instrument panel that alerts you to a possible problem with your airbags, sensors, or seat belt tensioners (see page 30).
- Emergency backup power in case your vehicle's electrical system is disconnected in a crash.

Additional Information About Your Airbags

How Your Front Airbags Work



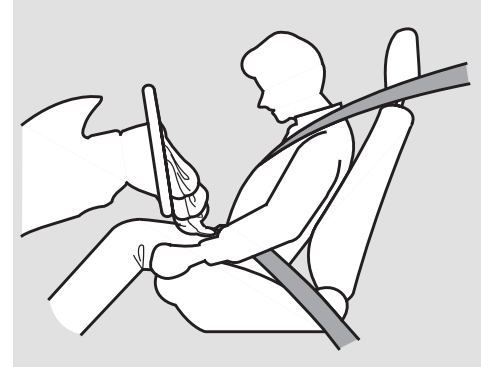
If you ever have a moderate to severe frontal collision, sensors will detect the vehicle's rapid deceleration.

If the rate of deceleration is high enough, the control unit will instantly inflate the driver's and front passengers' front airbags, and activate the automatic seat belt tensioners.

During a frontal crash, your seat belt restrains your lower body and torso, and the front airbag helps protect your head and chest.

Although both airbags normally inflate within a split second of each other, it is possible for only one airbag to deploy.

This can happen if the severity of a collision is at the margin, or threshold, that determines whether or not the airbags will deploy. In such cases, the seat belt will provide sufficient protection, and the supplemental protection offered by the airbag would be minimal.



After inflating, the front airbags immediately deflate, so they won't interfere with the driver's visibility, or the ability to steer or operate other controls.

The total time for inflation and deflation is one-tenth of a second, so fast that most occupants are not aware that the airbags deployed until they see them lying in their laps.

After a crash, you may see what looks like smoke. This is actually powder from the airbag's surface. Although the powder is not harmful, people with respiratory problems may experience some temporary discomfort. If this occurs, get out of the vehicle as soon as it is safe to do so.

How Your Side Airbags Work



If you ever have a moderate to severe side impact, sensors will detect rapid acceleration and signal the control unit to instantly inflate either the driver's or the passenger's side airbag and activate the seat belt tensioner on the affected side.

Only one airbag will deploy during a side impact. If the impact is on the passenger's side, the passenger's side airbag will deploy even if there is no passenger.

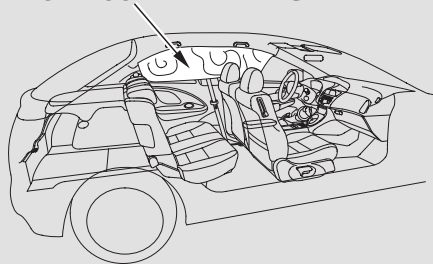
To get the best protection from the side airbags, front seat occupants should wear their seat belts and sit upright and well back in their seats.

If a front seat passenger leans sideways and his head is in the deployment path of the side airbag, he can be seriously injured by an inflating side airbag. An inflating side airbag can strike the child with enough force to kill or very seriously injure a child. For the information of the side airbags hazards, see pages 38 and 60 .

Additional Information About Your Airbags

How Your Side Curtain Airbags Work (On some models)

SIDE CURTAIN AIRBAG



In a moderate to severe side impact, sensors will detect rapid acceleration and signal the control unit to instantly inflate the side curtain airbag and activate the seat belt tensioner on the driver's or the passenger's side of the vehicle.

If the impact is on the passenger's side, the passenger's side curtain airbag will inflate even if there are no occupants on that side of the vehicle.

To get the best protection from the side curtain airbags, occupants should wear their seat belts and sit upright and well back in their seats.

How the SRS Indicator Works




The SRS indicator alerts you to a potential problem with your airbags, sensors, or seat belt tensioners.

When you turn the ignition switch to the ON (II) position, this indicator comes on briefly then goes off. This tells you the system is working properly.

If the indicator comes on at any other time, or does not come on at all, you should have the system checked by your dealer. For example:

- If the SRS indicator does not come on after you turn the ignition switch to the ON (II) position.
- If the indicator stays on after the engine starts.
- If the indicator comes on or flashes on and off while you drive.

You will also see the symbol “” or the symbol with a “CHECK SYSTEM” message on the multi-information display (see page 105).

If you see any of these indications, the airbags and seat belt tensioners may not work properly when you need them.

WARNING

Ignoring the SRS indicator can result in serious injury or death if the airbag systems or tensioners do not work properly.

Have your vehicle checked by a dealer as soon as possible if the SRS indicator alerts you to a possible problem.

Additional Information About Your Airbags

Airbag Service

Your airbag systems and automatic seat belt tensioners are virtually maintenance free, and there are no parts you can safely service.

However, you must have your vehicle serviced if:

- ***An airbag ever inflates.*** Any airbag that has deployed must be replaced along with the control unit and other related parts. If an airbag inflates, the seat belt tensioners must also be replaced.

Do not try to remove or replace any airbag by yourself. This must be done by an authorized dealer or a knowledgeable body shop.

- ***The SRS indicator alerts you to a problem.*** Take your vehicle to an authorized dealer as soon as possible. If you ignore this indication, your airbags may not operate properly.

Handling is allowed by trained personnel only. It is prohibited to remove the airbag unit/belt-tensioner from the vehicle. In case of malfunction, shutdown or after airbag inflation/belt-tensioner operation you have to ask a qualified shop for repair or removal.

Additional Safety Precautions

- ***Do not attempt to deactivate your airbags.*** Together, airbags and seat belts provide the best protection.
- ***Do not tamper with airbag and automatic seat belt tensioner components or wiring for any reason.*** Tampering could cause the airbags and automatic seat belt tensioners to deploy, possibly causing very serious injury.

- ***Do not expose the front seat-backs to liquid.*** If water or another liquid soaks into the seat-back, it can prevent the side airbag system from working properly.
- ***Do not cover or replace front seat-back covers without consulting your dealer.*** Improperly replacing or covering front seat-back covers can prevent your side airbags from inflating during a side impact.



Children depend on adults to protect them. However, despite their best intentions, many adults do not know how to *properly* protect child passengers.

If you have children, or ever need to drive with a child in your vehicle, be sure to read this section. It begins with important general guidelines, then presents special information for infants, small children, and larger children.

All Children Must Be Restrained
Each year, many children are injured or killed in vehicle crashes because they are either unrestrained or not properly restrained. In fact, vehicle accidents are the number one cause of the death of children ages 12 and under.

To reduce the number of child deaths and injuries, infants and children should be properly restrained when they ride in a vehicle.

Infants and small children must be restrained in an approved child restraint system that is properly secured to the vehicle (see pages 41 – 59).

⚠ WARNING

Children who are unrestrained or improperly restrained can be seriously injured or killed in a crash.

Any child too small for a seat belt should be properly restrained in an approved child restraint system. A larger child should be properly restrained with a seat belt and use a booster seat if necessary.

Larger children must be restrained with a lap/shoulder belt and ride on a booster seat until the seat belt fits them properly (see pages 60 – 64).

In most countries, child restraint systems must meet the specifications of the ECE 44 regulation.

In many countries, the law requires children younger than 12 years of age and less than 150 cm (60 in) in height to be secured in an officially approved and suitable child restraint system. In those countries, officially approved and suitable child restraint systems must therefore be used in order to transport a child on any passenger seat whatsoever. Please check your local legal requirements.

All Children Should Sit in a Back Seat

According to crash statistics, children of all ages and sizes are safer when they are restrained in a back seat. It is recommended that all children age 12 and under be properly restrained in a back seat.

Children who ride in back are less likely to be injured by striking interior vehicle parts during a collision or hard braking. Also, children cannot be injured by an inflating airbag when they ride in the back.

The Passenger's Front Airbag Poses Serious Risks

Front airbags have been designed to help protect adults in a moderate to severe frontal collision. To do this, the passenger's front airbag is quite large, and it can inflate with enough force to cause very serious injuries.

Infants

Never put a rearward facing child restraint system in the front seat of a vehicle equipped with a passenger's front airbag. If the airbag inflates, it can hit the back of the child restraint system with enough force to kill or very seriously injure an infant.

CONTINUED

As required by E.C.E Regulation No. 94;

⚠ WARNING



DO NOT place rear-facing child seat on this seat with airbag.

DEATH OR SERIOUS INJURY can occur.

If the passenger's front airbag inflates, it can hit the rearward facing child restraint system with great force. The rearward facing child restraint system can be dislodged or struck with enough force to cause very serious injury to the infant.

Small Children

Placing a front facing child restraint system in the front seat of a vehicle equipped with a passenger's front airbag can be hazardous. If the vehicle seat is too far forward, or the child's head is thrown forward during a collision, an inflating front airbag can strike the child with enough force to kill or very seriously injure a small child.

Larger Children

Children who have outgrown child restraint systems are also at risk of being injured or killed by an inflating passenger's front airbag. Whenever possible, larger children should sit in the back seat, in a booster seat if needed, and be properly restrained with a seat belt (see page 60 for important information about protecting larger children).

In all cases observe the legal requirements of the countries in which you will drive.

To remind you of the passenger's front airbag hazards, and that children must be properly restrained in a back seat, your vehicle has warning labels on the windscreen, on the front passenger's doorjamb and on the front visors. Please read and follow the instructions on these labels.

⚠ WARNING

Extreme Hazard!
DO NOT use a rearward facing child restraint on a seat protected by an airbag in front of it!

As required by E.C.E Regulation No. 94;

⚠ WARNING

DO NOT place rear-facing child seat on this seat with airbag.
DEATH OR SERIOUS INJURY can occur.

The Side Airbag Poses Serious Risks

Side airbags have been designed to help protect adults in a moderate to severe side impact.

If any part of a child's body is in the path of a deploying airbag, an inflating side airbag can strike the child with enough force to kill or very seriously injure a child.

To remind you of the side airbags hazards, and that children must be properly restrained in the back seat, your vehicle has the safety label on each front doorjamb.

WARNING



Leaning over the front door can result in serious injury or death if the side airbag inflates.

Always sit upright with their back against the seat-back.

If You Must Drive with Several Children

Your vehicle has a back seat where children can be properly restrained. If you ever have to carry a group of children, and a child must ride in front:

- Place the largest child in the front seat, provided the child is large enough to wear the lap/shoulder belt properly (see page 60).
- Move the vehicle seat as far to the rear as possible (see page 160).
- Have the child sit upright and well back in the seat (see page 19).
- Make sure the seat belt is properly positioned and secured (see page 17).

If a Child Requires Close Attention

Many parents say they prefer to put an infant or a small child in the front passenger seat so they can watch the child, or because the child requires attention.

Placing a child in the front seat exposes the child to hazards in a frontal collision or a side impact, and paying close attention to a child distracts the driver from the important tasks of driving, placing both of you at risk.

If a child requires close physical attention or frequent visual contact, we strongly recommend that another adult ride with the child in the back seat. The back seat is far safer for a child than the front.

Additional Safety Precautions

- ***Never hold an infant or child on your lap.*** If you are not wearing a seat belt in crash, you could be thrown forward and crush the child against the dashboard or a seat-back. If you are wearing a seat belt, the child can be torn from your arms and be seriously hurt or killed.
- ***Never put a seat belt over yourself and a child.*** During a crash, the belt could press deep into the child and cause serious or fatal injuries.
- ***Never let two children use the same seat belt.*** If they do, they could be very seriously injured in a crash.

CONTINUED

Protecting Children – General Guidelines

- **Make sure any unused seat belt that a child can reach is buckled, the lockable retractor is activated, and the belt is fully retracted and locked.** If a child wraps a loose seat belt around their neck, they can be seriously or fatally injured. (See pages 52 and 56 for how to activate and deactivate the lockable retractor.)
- **WARNING:** *Use the main power window switch to prevent children from opening the windows. Using this feature will prevent children from playing with the windows, which could expose them to hazards or distract the driver (see page 168).*

- **Do not leave children alone in a vehicle.** Leaving children without adult supervision is illegal in some countries, and can be very hazardous.

For example, infants and small children left in a vehicle on a hot day can die from heatstroke. A child left alone with the key in the ignition switch can accidentally set the vehicle in motion, possibly injuring themselves or others.

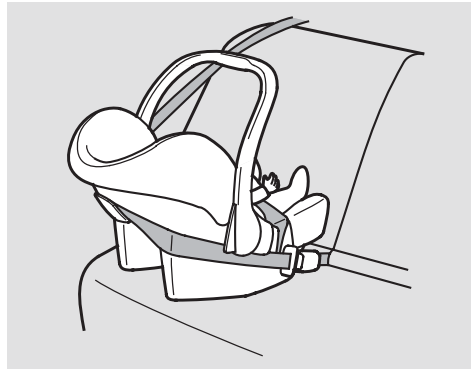
- **Lock both doors and the tailgate when your vehicle is not in use.** Children who play in vehicles can accidentally get trapped inside the vehicle. Teach your children not to play in or around vehicles.

- **Keep vehicle keys/remote transmitters out of the reach of children.** Even very young children learn how to unlock vehicle doors, turn on the ignition switch, and open the tailgate, which can lead to accidental injury or death.

- **WARNING:** *Always take the ignition key with you whenever you leave the vehicle alone (with other occupants).*

“Never let children kneel on seats or stand while the vehicle is in motion. The violent forces created during emergency braking will cause the children to be thrown forward. The children could be seriously injured or killed.”

Protecting Infants



Child Restraint System Type

An infant must be properly restrained in a rear-facing, reclining child restraint system until the child reaches the restraint system maker's weight or height limit for the restraint system, and the child is at least one year old.

Only a rearward facing child restraint system provides proper support for a baby's head, neck and back.

Two types of restraints may be used: a restraint system designed exclusively for infants, or a convertible restraint system used in the rearward facing, reclining mode.

For EU countries, refer to page 47 for the recommended child restraint system.

Do not put a rearward facing child restraint system in a forward-facing position. If placed facing forward, an infant could be very seriously injured during a frontal collision.

Rearward Facing Child Restraint System Placement

A rearward facing child restraint system can be placed in any seating position in the back seat, but not in the front. ***Never put a rearward facing child restraint system in the front seat.***

For EU countries, an approved rearward facing child restraint system should be placed in the back seat (see page 47).

If the passenger's front airbag inflates, it can hit the back of the restraint with enough force to kill or seriously injure an infant.

CONTINUED

Protecting Infants and Small Children

When properly installed, a rearward facing child restraint system may prevent the driver or a front passenger from moving their seat as far back as recommended, or from locking their seat-back in the desired position.

In either situation, we strongly recommend that you install the child restraint system directly behind the front passenger seat, move the seat as far forward as needed, and leave it unoccupied. Or you may wish to get a smaller rearward facing child restraint system.

⚠ WARNING

Placing a rearward facing child restraint system in the front seat can result in serious injury or death during a collision.

Always place a rearward facing child restraint system in the back seat, not the front.

As required by E.C.E Regulation No. 94;

⚠ WARNING



DO NOT place rear-facing child seat on this seat with airbag.

DEATH OR SERIOUS INJURY can occur.

If the passenger's front airbag inflates, it can hit the rearward facing child restraint system with great force. The rearward facing child restraint system can be dislodged or struck with enough force to cause very serious injury to the infant.

Protecting Small Children



Child Restraint System Type

A child who is at least one year old, and who fits within the child restraint system maker's weight and height limits, should be restrained in a front facing, upright child restraint system.

Of the different restraint systems available, we recommend those that have a five-point harness system as shown.

We also recommend that a small child uses the child restraint system as long as possible, until the child reaches the weight or height limit for the restraint system.

For EU countries, refer to page 47 for the recommended child restraint system.

Child Restraint System Placement

We strongly recommend placing a front facing child restraint system in a back seat, not the front.

Placing a front facing child restraint system in the front seat of a vehicle equipped with a passenger's airbag can be hazardous. If the vehicle seat is too far forward, or the child's head is thrown forward during a collision, an inflating airbag can strike the child with enough force to cause very serious or fatal injuries.

If it is necessary to put a front facing child restraint system in the front, move the vehicle seat as far to the rear as possible, and be sure the child restraint system is firmly secured to the vehicle and the child is properly strapped in the restraint system.

⚠ WARNING

Placing a front facing child restraint system in the front seat can result in serious injury or death if the front airbag inflates.

If you must place a front facing child restraint system in front, move the vehicle seat as far back as possible, and properly restrain the child.

CONTINUED

Selecting a Child Restraint System

When buying a child restraint system, you need to choose either a conventional child restraint system, or one designed for use with the lower anchorages and tethers.

Conventional child restraint systems must be secured to a vehicle with a seat belt, whereas lower anchorages system-compatible child restraint systems are secured by attaching the restraint to hardware built into the two outer seating positions in the back seat.

Since lower anchorages system-compatible child restraint systems are easier to install and reduce the possibility of improper installation, if your vehicle is equipped with the lower anchorages system, we recommend selecting this style.

We also recommend selecting a lower anchorages system-compatible child restraint system with a rigid, rather than a flexible, anchor (see page 49).

In EU countries, a child restraint system with a flexible anchor is not available.

In seating positions and vehicles not equipped with lower anchorages, a lower anchorages system-compatible child restraint system can be installed using a seat belt.

Whatever type of child restraint you choose, to provide proper protection, a child restraint system should meet three requirements:

1. The child restraint system should meet safety standards. In most countries, child restraint systems must meet the specifications of the ECE 44 regulation. Look for the approval mark on the system and the manufacturer's statement of compliance on the box.

The manufacturer of the vehicle does not assume any responsibility for damage which would be caused by a defect inherent in the recommended child restraint system.

2. The child restraint system should be of the proper type and size to fit the child.

Rearward facing for infants, front facing for small children.

Make sure the restraint system fits your child. Check the manufacturer's instructions and labels for height and weight limits.

3. The child restraint system should fit the vehicle seating position (or positions) where it will be used.

Before purchasing a conventional child restraint system, or using a previously purchased one, we recommend that you test the restraint system in the specific vehicle seating position or positions where the child restraint system will be used.

For EU countries, refer to page 47 for the recommended child restraint system.

Installing a Child Restraint System

After selecting a proper child restraint system and a good place to install the restraint system, there are three main steps in installing the restraint system:

1. Properly secure the child restraint system to the vehicle. All child restraint systems must be secured to the vehicle with the lap part of a lap/shoulder belt or with the lower anchorages system. A child whose restraint system is not properly secured to the vehicle can be endangered in a crash.

Except for European models
If you use a lap/shoulder belt without an additional lockable retractor, be sure you install a locking clip on the seat belt (see page 57).

2. Make sure the child restraint system is firmly secured. After installing a child restraint system, push and pull the restraint system forward and from side-to-side to verify that it is secure.

A child restraint system secured with a seat belt should be installed as firmly as possible. However, it does not need to be “rock solid.” Some side-to-side movement can be expected and should not reduce the child restraint system’s effectiveness.

If the child restraint system is not secure, try installing it in a different seating position, or use a different style of child restraint system that can be firmly secured.

For EU countries, refer to page 47 for the recommended child restraint system.

3. Secure the child in the child restraint system. Make sure the child is properly strapped in the child restraint system according to the child restraint system maker’s instructions. A child who is not properly secured in a child restraint system can be seriously injured in a crash.

The following pages provide the recommended child restraint systems for EU countries and guidelines on how to properly install a child restraint system. A front facing child restraint system is used in all examples, but the instructions are the same for a rearward facing child restraint system.

Child Restraint System for EU Countries

Various types of child restraint systems are available. Not all types are suitable for your vehicle. Please refer to the table below to select which category of child restraint system can be used on each seating position.

Mass Group	Seating Position		
	Front passenger	Rear passenger	
		Outboard	Centre* ²
group 0 Up to 10 kg	X	U	Honda BABY-SAFE
group 0+ Up to 13 kg	X	IL (Honda BABY-SAFE ISO FIX) or U	Honda BABY-SAFE
group I 9 kg to 18 kg	Honda LORD* ¹	IUF (Size class A, B1, B) or U	Honda LOAD
group II 15 kg to 25 kg	Honda KID* ¹	U	Honda KID
group III 22 kg to 36 kg	Honda KID* ¹	U	Honda KID

IL: Suitable for particular ISO FIX child restraint systems (CRS) given in this table.

IUF: Suitable for front facing ISO FIX child restraint systems of universal category approved for use in this mass group.

U: Suitable for “universal” category child restraints approved for use in this mass group.

X: Seat position not suitable for children in this mass group.

* 1: Move the front seat to its rearmost position.

* 2: Except for Type-R

A size class is specified for some child restraint systems. Make sure to check the size class as indicated on the manufacturer’s instructions, package, and labels of the child restraint.

The particular child restraints in the above table are Honda Genuine Parts. They are available from your dealer.

For a correct installation, please refer to the Child Restraint Instruction Manual.

CONTINUED

Installing a Child Restraint System

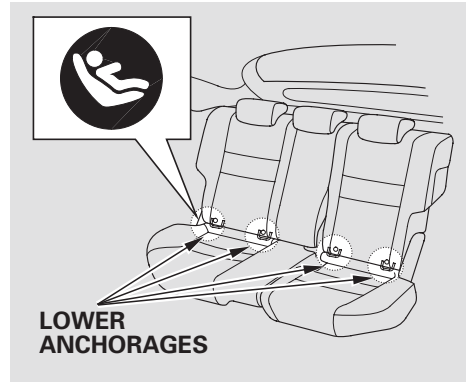
WARNING

The use of any child restraint system which is not suitable for your vehicles would not properly secure the infant or child who could therefore be killed or seriously injured.

Your vehicle is equipped with lower anchorages at the outer seating positions on the rear seat. These anchorages are only to be used with a child restraint system designed to be attached to the lower anchorages. Refer to page 49 for how to install a child restraint system to the lower anchorages.

Installing a Child Restraint System with the Lower Anchorages

Your vehicle is equipped with lower anchorages at the outer rear seats. These anchorages are located between the seat-back and seat bottom, and are to be used only with a child restraint system designed for use with the lower anchorages.



The location of each lower anchorage is indicated by a small button above the anchorage point.

For EU countries, refer to page 47 for the recommended child restraint system.

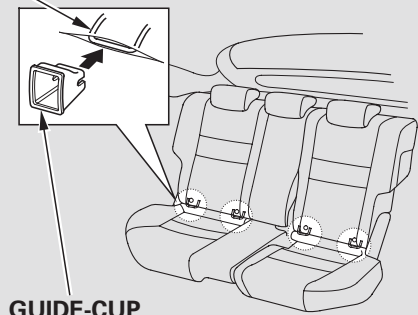
To install a child restraint system designed to be attached to the lower anchorages:

1. Move the seat belt buckle or tongue away from the lower anchorages.
2. Make sure there are no objects near the anchorages that could prevent a secure connection between the child restraint system and the anchorages.

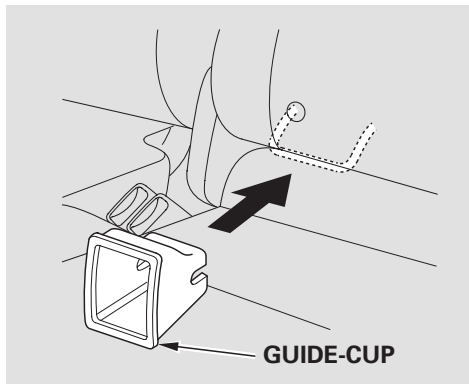
CONTINUED

Installing a Child Restraint System

LOWER ANCHORAGE



GUIDE-CUP



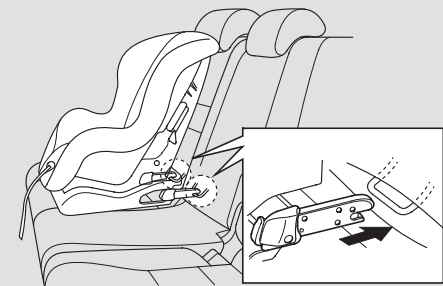
GUIDE-CUP

3. *On some child restraint systems*
You may use optional guide-cups that came with your child restraint system to install it to the lower anchorages without damaging the seat surface.

Attach the guide-cups to the lower anchorages as shown in the illustration.

When using the guide-cups, always follow the child restraint system manufacturer's instructions.

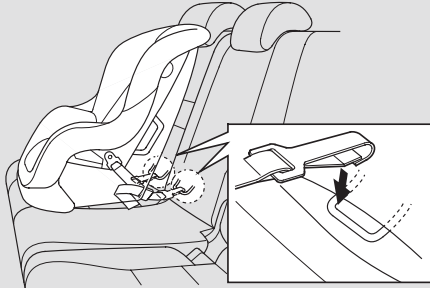
Rigid type



4. Place the child restraint system on the vehicle seat, then attach the child restraint system to the lower anchorages according to the child restraint system maker's instructions.

Some child restraint systems designed for use with lower anchorages have a rigid-type connector as shown above.

Flexible type

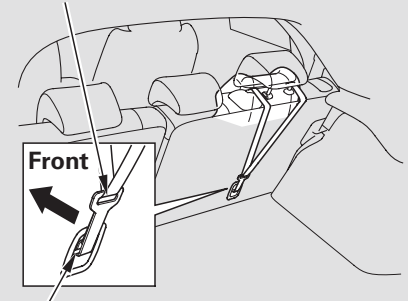


Other child restraints have a flexible-type connector as shown above.

5. Whatever type you have, follow the child restraint system maker's instructions for adjusting or tightening the fit.

Flexible type child restraint system is available in some countries. In EU countries, this type is not available.

ATTACHING CLIP



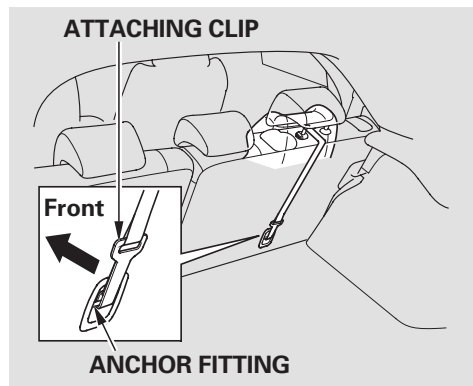
ANCHOR FITTING

6. Attach the attaching clip to the anchor fitting as shown in the illustration. Make sure the strap is not twisted, then tighten the strap according to the child restraint system maker's instructions.

The above illustration shows how the attaching clip should be routed in EU countries.

CONTINUED

Installing a Child Restraint System



7. Push and pull the child restraint system forward and from side-to-side to verify that it is secure.

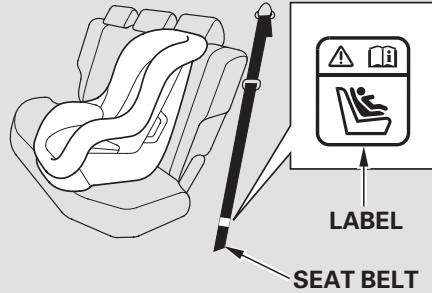
The design and suitability of the child restraint systems must be carefully checked with the child restraint system manufacturer concerned and the seller of those systems. If you are not sure, consult your dealer before purchasing this type of child restraint system.

Lift the head restraint (see page 162), then route the tether strap through the legs of the head restraint and over the seat-back, making sure the strap is not twisted.

Attach the attaching clip to the anchor fitting, then tighten the strap as instructed by the child restraint system maker.

Installing a Child Restraint System with a Lap/Shoulder Belt

When not using the lower anchorages system, all child restraint systems must be secured to the vehicle with the lap part of a lap/shoulder belt.



In addition, the lap/shoulder belts in the back seating positions have a lockable retractor that must be activated to secure a child restraint system.

The seat belt with a lockable retractor has a label as shown in the illustration above.

To properly route a lap/shoulder belt through a child restraint system, follow the restraint system maker's instructions.

For EU countries, refer to page 47 for installing a child restraint system.

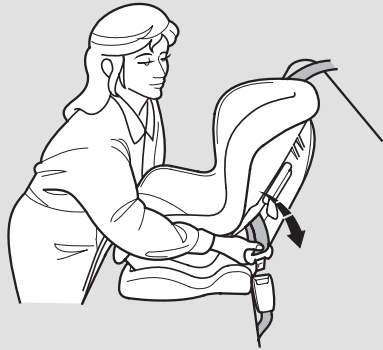
The procedures in the following pages are described based on a front facing child restraint system available in EU countries.

1. Place the child restraint system in the desired back seating position. Make sure the child restraint is positioned well back in the seat-back.

If you place the child restraint system in either rear outer seating position and use the tether strap for additional security, make sure to push down the head restraint to the lowest position and attach the attaching clip to the anchor fitting before securing the child restraint system with the lap/shoulder belt.

CONTINUED

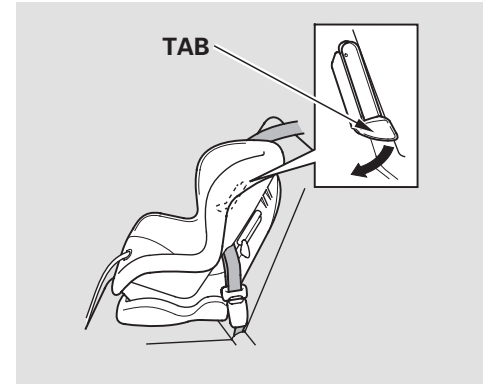
Installing a Child Restraint System



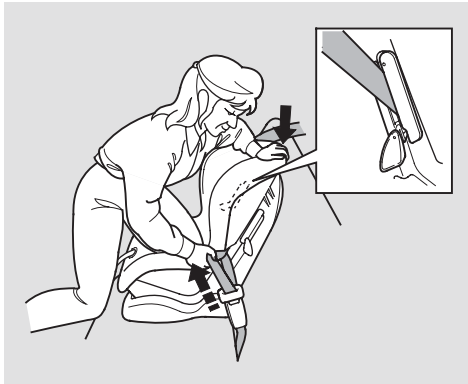
2. Route the belt through the restraint according to the restraint system maker's instructions, then insert the latch plate into the buckle.



3. To activate the lockable retractor, slowly pull the shoulder part of the belt all the way out until it stops.

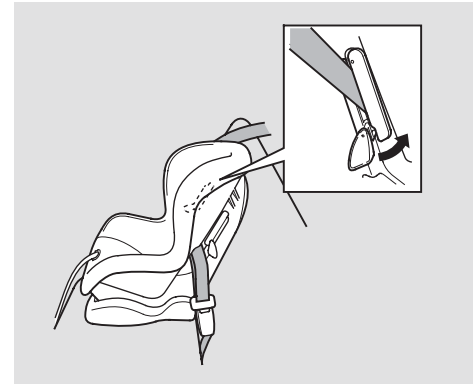


4. Push down the tab. Route the shoulder part of the belt into the slit at the side of the restraint, then let the belt feed back into the retractor.
5. After the belt has retracted, tug on it. If the belt is locked, you will not be able to pull it out. If you can pull the belt out, it is not locked, and you will need to repeat these steps.



To remove slack, it may help to put weight on the child restraint system, or push on the back of the restraint system while pulling up on the belt.

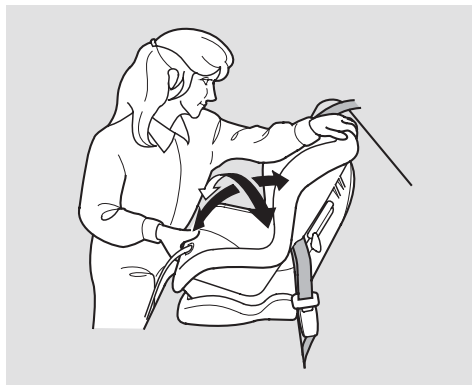
6. After confirming that the belt is locked, grab the shoulder part of the belt near the buckle, and pull up to remove any slack from the lap part of the belt. Remember, if the lap part of the belt is not tight, the child restraint system will not be secure.



7. Secure the belt in the slit by pushing up the tab. Make sure the belt is not twisted and it is positioned properly in the slit.

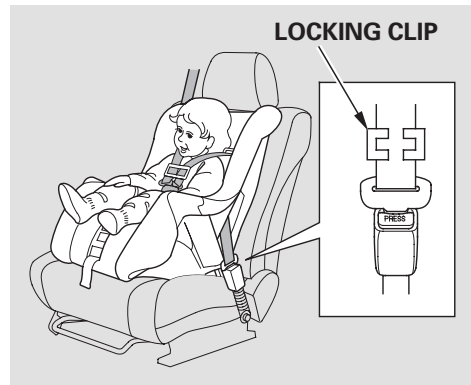
CONTINUED

Installing a Child Restraint System



8. Push and pull the child restraint system forward and from side-to-side to verify that it is secure enough to stay upright during normal driving manoeuvres. If the child restraint system is not secure, unlatch the belt, allow it to retract fully, then repeat these steps.

To deactivate the lockable retractor and remove a child restraint system, unlatch the buckle, unrout the seat belt, and let the belt fully retract.



Except for European models

On vehicles without lockable retractor fitted to the seat where the child is positioned

When you secure a child restraint system with a lap/shoulder belt, be sure you install a locking clip on the seat belt.

Using a Seat Belt Locking Clip Except for European models

On vehicles without lockable retractors fitted to the seat where the child is positioned

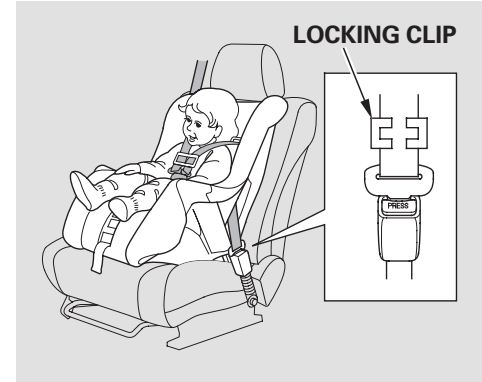
Always use a seat belt locking clip when you secure a child restraint system to your vehicle with a lap/shoulder belt. This helps prevent the restraint system from shifting position or overturning.

A locking clip is usually included with the child restraint system. If you need a clip, contact the seat's manufacturer or a store that sells child restraints.

If it is necessary to put a front facing child restraint system in the front, move the vehicle seat as far to the rear as possible, be sure the child restraint system is firmly secured to the vehicle, and the child is properly strapped in the restraint system (see page 43).

To install a locking clip, do the following:

1. Place the child restraint in the seat with a lap/shoulder belt. Route the lap/shoulder belt through the restraint according to the seat manufacturer's instructions.
2. Insert the latch plate into the buckle. Pull on the shoulder part of the belt to make sure there is no slack in the lap portion.
3. Tightly grasp the belt near the latch plate. Pinch both parts of the belt together so they won't slip through the latch plate. Unbuckle the seat belt.

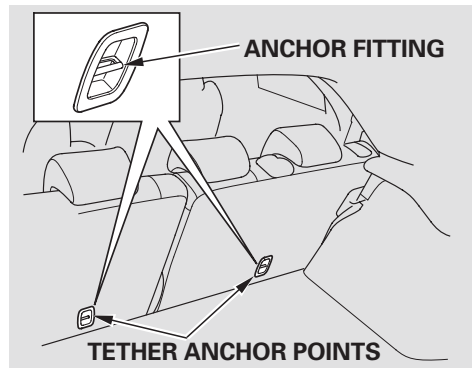


4. Install the locking clip as shown. Position the clip as close as possible to the latch plate.
5. Insert the latch plate into the buckle. Push and pull on the child restraint system to verify that it is held firmly in place. If it is not, repeat these steps until the restraint is secure.

Installing a Child Restraint System

Installing a Child Restraint System with a Tether

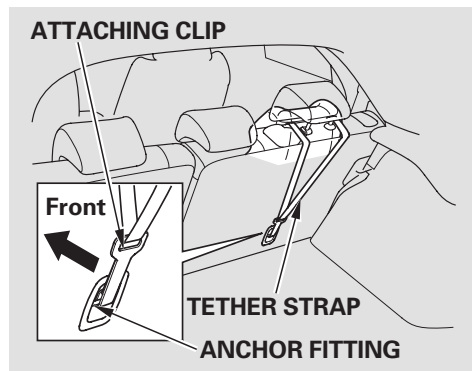
Children riding in vehicles should be restrained to minimize the risk of injury in the event of an accident.



A child restraint system with a tether can be installed in the two outer positions in the back seat, using one of the anchor points shown in the illustration.

Since a tether can provide additional security to the lap/shoulder belt installation, we recommend using a tether whenever one is required or available. (The owners may check with the child restraint system maker to determine whether a tether is available for a particular child restraint system.)

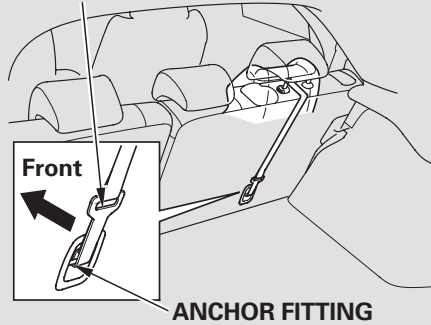
Using an Anchor Fitting



1. After properly securing the child restraint system (see page 49 or 52), route the tether strap over the seat-back and on both sides of the head restraint as shown.

The above illustration shows how the tether strap should be routed in EU countries.

ATTACHING CLIP



On some models

Lift the head restraint, then route the tether strap over the seat-back and through the head restraint legs.

2. Lift the cover, then attach the attaching clip to the anchor fitting, making sure the strap is not twisted.
3. Tighten the tether strap according to the child restraint system maker's instructions.

To attach the tether to the child restraint system, follow the child restraint system maker's instructions.

When the child restraint system is used, follow the instructions that came with the child restraint system.

WARNING: *Child restraint anchorages are designed to withstand only those loads imposed by correctly fitted child restraints. Under no circumstances are they to be used for adult seat belts, harnesses or for attaching other items or equipment to the vehicle.*

Protecting Larger Children

When a child reaches the recommended weight or height limit for a front facing child restraint system, the child should sit in a back seat on a booster seat and wear a lap/shoulder belt.

The following pages give instructions on how to check proper seat belt fit, what kind of booster seat to use if one is needed, and important precautions for a child who must sit in front.

WARNING

Allowing a child age 12 or under to sit in front can result in injury or death if the passenger's front airbag inflates.

If a child must ride in front, move the vehicle seat as far back as possible, use a booster seat if needed, have the child sit up properly and wear the seat belt properly.

WARNING

Leaning over the front door can result in serious injury or death if the side airbag inflates.

Always sit upright with their back against the seat-back.

Checking Seat Belt Fit



To determine if a lap/shoulder belt properly fits a child, have the child put on the seat belt, then ask yourself:

1. Does the child sit all the way back against the seat?
2. Do the child's knees bend comfortably over the edge of the seat?

3. Does the shoulder belt cross between the child's neck and arm?
4. Is the lap part of the belt as low as possible, touching the child's thighs?
5. Will the child be able to stay seated like this for the whole trip?

If you answer yes to all these questions, the child is ready to wear the lap/shoulder belt correctly. If you answer no to any question, the child needs to ride on a booster seat.

Using a Booster Seat



A child who has outgrown a front facing child restraint system should ride in a back seat and use a booster seat until the lap/shoulder belt fits them properly without the booster.

CONTINUED

Protecting Larger Children

Booster seats can be high-back or low-back. Whichever style you select, make sure the booster seat meets approved safety standards (see page 44) and that you follow the booster seat maker's instructions.

If a child who uses a booster seat must ride in front, move the vehicle seat as far back as possible and be sure the child is wearing the seat belt properly.

A child may continue using a booster seat until the tops of their ears are even with the top of the vehicle's or booster's seat-back. A child of this height should be tall enough to use the lap/shoulder belt without a booster seat.

For EU countries, refer to page 47 for the booster seat placement.



A back-rest may be available for a specific booster seat. Install the back-rest to the booster seat and adjust it to the vehicle seat according to the booster seat maker's instructions. Make sure the seat belt is properly routed through the guide at the shoulder of the back-rest and the belt does not touch and cross the child's neck (see page 17).

When Can a Larger Child Sit in Front

It is recommended that all children age 12 and under be properly restrained in the back seat.

The back seat is the safest place for a child of any age or size.

If the passenger's front airbag inflates in a moderate to severe frontal collision, the airbag can cause serious injuries to a child who is unrestrained, improperly restrained, sitting too close to the airbag, or out of position.

If your vehicle is equipped with the side airbag, it also poses risks. If any part of a larger child's body is in the path of a deploying side airbag, the child could receive possibly serious injuries.

Of course, children vary widely. And while age may be one indicator of when a child can safely ride in front, there are other important factors you should consider.

Physical Size

Physically, a child must be large enough for the lap/shoulder belt to properly fit (see pages 17 and 60). If the seat belt does not fit properly, with or without the child sitting on a booster seat, the child should not sit in front.

Maturity

To safely ride in front, a child must be able to follow the rules, including sitting properly, and wearing the seat belt properly throughout a ride.

If you decide that a child can safely ride up front, be sure to:

- Carefully read the owner's manual, and make sure you understand all seat belt instructions and all safety information.
- Move the vehicle seat to the rear-most position.
- Have the child sit up straight, back against the seat, and feet on or near the floor.
- Check that the child's seat belt is properly and securely positioned.
- Remind the child not to lean toward the door.
- Supervise the child. Even mature children sometimes need to be reminded to fasten the seat belts or sit properly.

Protecting Larger Children

Additional Safety Precautions

- ***Do not let a child wear a seat belt across the neck.*** This could result in serious neck injuries during a crash.
- ***Do not let a child put the shoulder part of a seat belt behind the back or under the arm.*** This could cause very serious injuries during a crash. It also increases the chance that the child will slide under the belt in a crash and be injured.
- ***Two children should never use the same seat belt.*** If they do, they could be very seriously injured in a crash.
- ***Do not put any accessories on a seat belt.*** Devices intended to improve a child's comfort or reposition the shoulder part of a seat belt can make the belt less effective and increase the chance of serious injury in a crash.

Your vehicle's exhaust contains carbon monoxide gas. Carbon monoxide should not enter the vehicle in normal driving if you maintain your vehicle properly and follow the information on this page.

Have the exhaust system inspected for leaks whenever:

- The vehicle is raised for an oil change.
- You notice a change in the sound of the exhaust.
- The vehicle was in an accident that may have damaged the underside.

WARNING


Carbon monoxide gas is toxic. Breathing it can cause unconsciousness and even kill you.

Avoid any enclosed areas or activities that expose you to carbon monoxide.

High levels of carbon monoxide can collect rapidly in enclosed areas, such as a garage. Do not run the engine with the garage door closed. Even with the door open, run the engine only long enough to move the vehicle out of the garage.

With the tailgate open, airflow can pull exhaust gas into your vehicle's interior and create a hazardous condition. If you must drive with the tailgate open, open all the windows, and set the heating and ventilation system/climate control system as shown below.

If you must sit in your parked vehicle with the engine running, even in an unconfined area, adjust the heating and ventilation system/climate control system as follows:

1. Select the fresh air mode.
2. Select the  mode.
3. Set the fan speed to high.
4. Set the temperature control to a comfortable setting.

Safety Labels

These labels are in the locations shown. They warn you of potential hazards that could cause serious injury. Read these labels carefully.

If a label comes off or becomes hard to read, contact your dealer for a replacement.

The label shown below is attached to the back of the bonnet.



• SRS Airbag



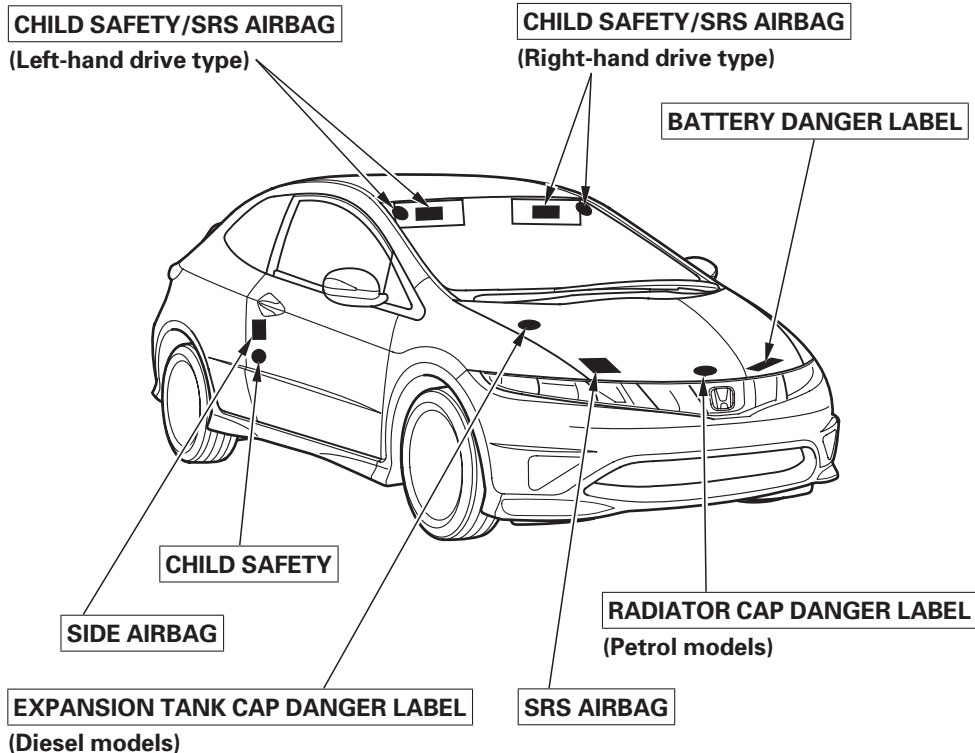
• SRS Airbag



• Safety alert symbol



• Follow service manual instructions carefully



The label shown below is attached to each doorjamb.



- Side Airbag





- Safety alert symbol



- Follow owner's manual instructions carefully

On Diesel models

Symbols   on top of the engine under the engine cover are to remind you to follow the service manual instructions. When replacing the injectors, your authorized dealer should perform this work. Contact your dealer.

This section gives information about the controls and displays that contribute to the daily operation of your vehicle. All the essential controls are within easy reach.

Control Locations	70
Instrument Panel	72
Instrument Panel Indicators.....	76
Gauges	84
mph to km/h Change Button....	85
Speedometer	86

Tachometer	86
Temperature Gauge	86
Fuel Gauge	86
REV Indicator	87
ECO Indicator	87
i-VTEC Indicator	88
Multi-information Display.....	89
Controls Near the Steering	
Wheel	135
Windscreen Wipers and Washers.....	137
Turn Signal and Headlights.....	140
Front and Rear Fog Lights	142
Instrument Panel Brightness.....	144
Hazard Warning Button.....	145
Rear Window Demister	145
Headlight Adjuster	146
Steering Wheel Adjustments	147
Keys and Locks.....	148
Immobilizer System.....	149
Ignition Switch	149
Door Locks	151
Power Door Locks.....	151
Super Locking	153
Remote Transmitter	154
Tailgate	158

Seats	160
Front Seat Adjustments	160
Driver's Seat Height Adjustment	162
Head Restraints	162
Armrests	163
Folding the Rear Seats.....	164
Seat Heaters	166
Luggage Area Cover	167
Power Windows	168
Sunshades.....	170
Mirrors.....	172
Parking Brake	174
Interior Convenience Items.....	175
Glove Box	176
Centre Console	177
Beverage Holders.....	178
Accessory Power Socket	179
Coat Hook.....	179
Sun Visor	180
Vanity Mirror	180
Under-floor Storage Area	180
Centre Pocket	182
Cigarette Lighter	182
Ashtray.....	183
Interior Lights	183

Control Locations

Left-hand drive type

MULTI-INFORMATION
DISPLAY (P.89)

MIRROR CONTROLS
(P.172)

POWER DOOR LOCK
MASTER SWITCH
(P.151)

POWER WINDOW
SWITCHES
(P.168)

FUEL FILL DOOR
RELEASE HANDLE
(P.299)

BONNET RELEASE
HANDLE (P.301)

CLIMATE CONTROL
SYSTEM (P.189, 195)

SUNSHADE SWITCH*
(P.170)

CLOCK
(P.270)

AUDIO SYSTEM*
(P.212)

PASSENGER'S
FRONT AIRBAG
(P.12, 28)

HAZARD WARNING
BUTTON
(P.145)

DRIVER'S FRONT
AIRBAG (P.12, 28)

MANUAL TRANSMISSION (P.322)
i-SHIFT (P.326)

Vehicle without navigation system is shown.

*: If equipped

Right-hand drive type

CLOCK
(P.270)

CLIMATE CONTROL
SYSTEM (P.189, 195)

SUNSHADE
SWITCH*
(P.170)

MULTI-INFORMATION
DISPLAY (P.89)

DRIVER'S FRONT
AIRBAG
(P.12, 28)

HAZARD WARNING
BUTTON
(P.145)

MIRROR CONTROLS
(P.172)

PASSENGER'S FRONT
AIRBAG
(P.12, 28)

POWER DOOR LOCK
MASTER SWITCH
(P.151)

AUDIO SYSTEM*
(P.212)

POWER WINDOW
SWITCHES
(P.168)

MANUAL TRANSMISSION (P.322)
i-SHIFT (P.326)

FUEL FILL DOOR
RELEASE HANDLE
(P.299)

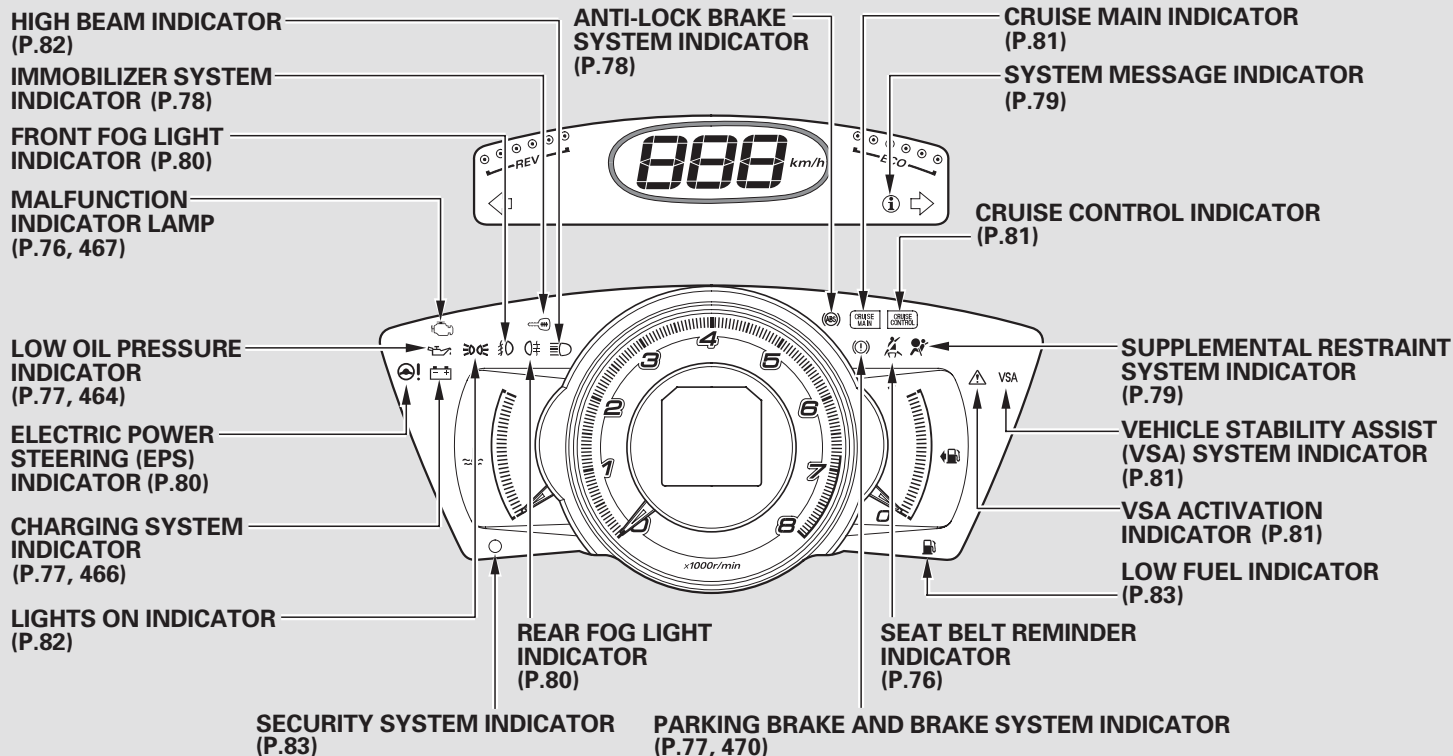
BONNET RELEASE HANDLE
(P.301)

Vehicle without navigation system is shown.

*: If equipped

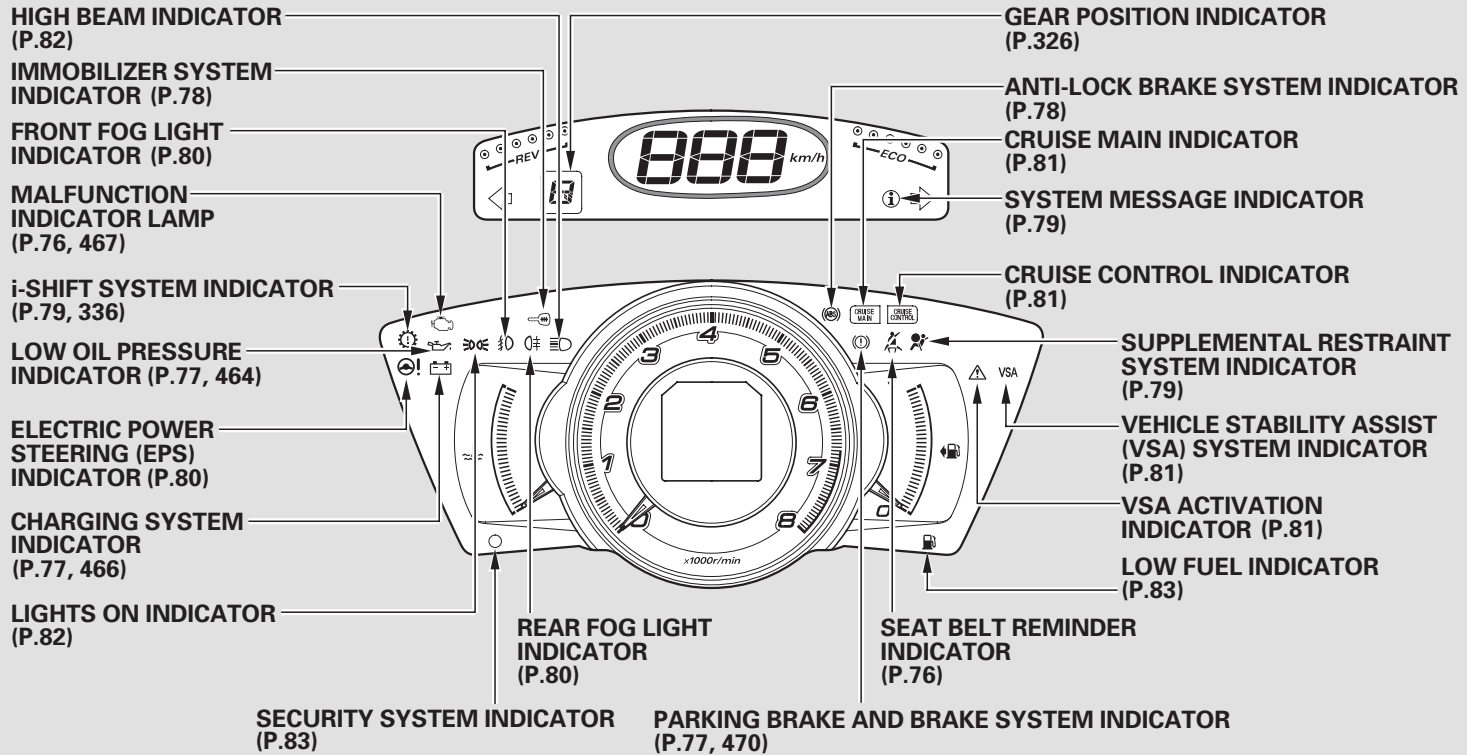
Instrument Panel (Petrol models)

With manual transmission



Since the indicators vary between models, some indicators are not on your vehicle.

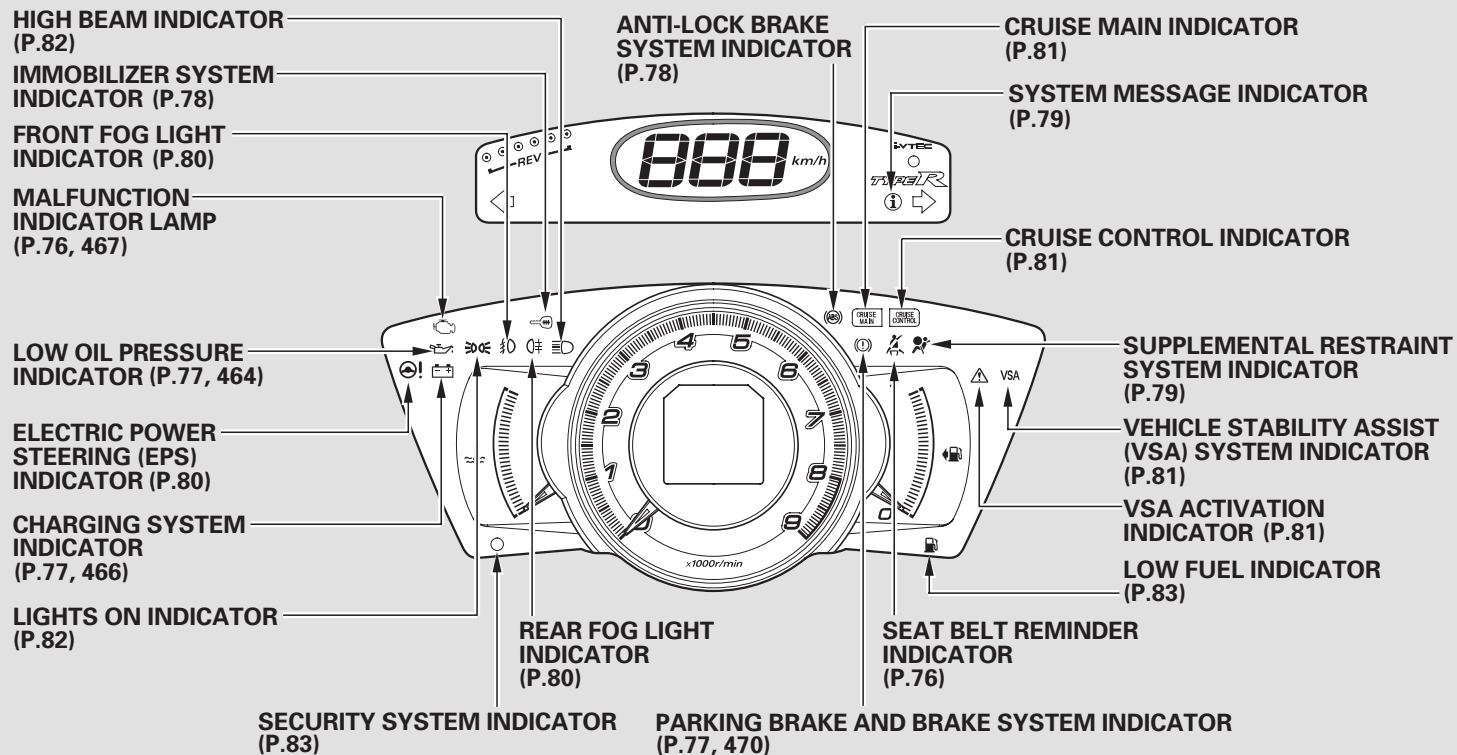
With *i-SHIFT*



Since the indicators vary between models, some indicators are not on your vehicle.

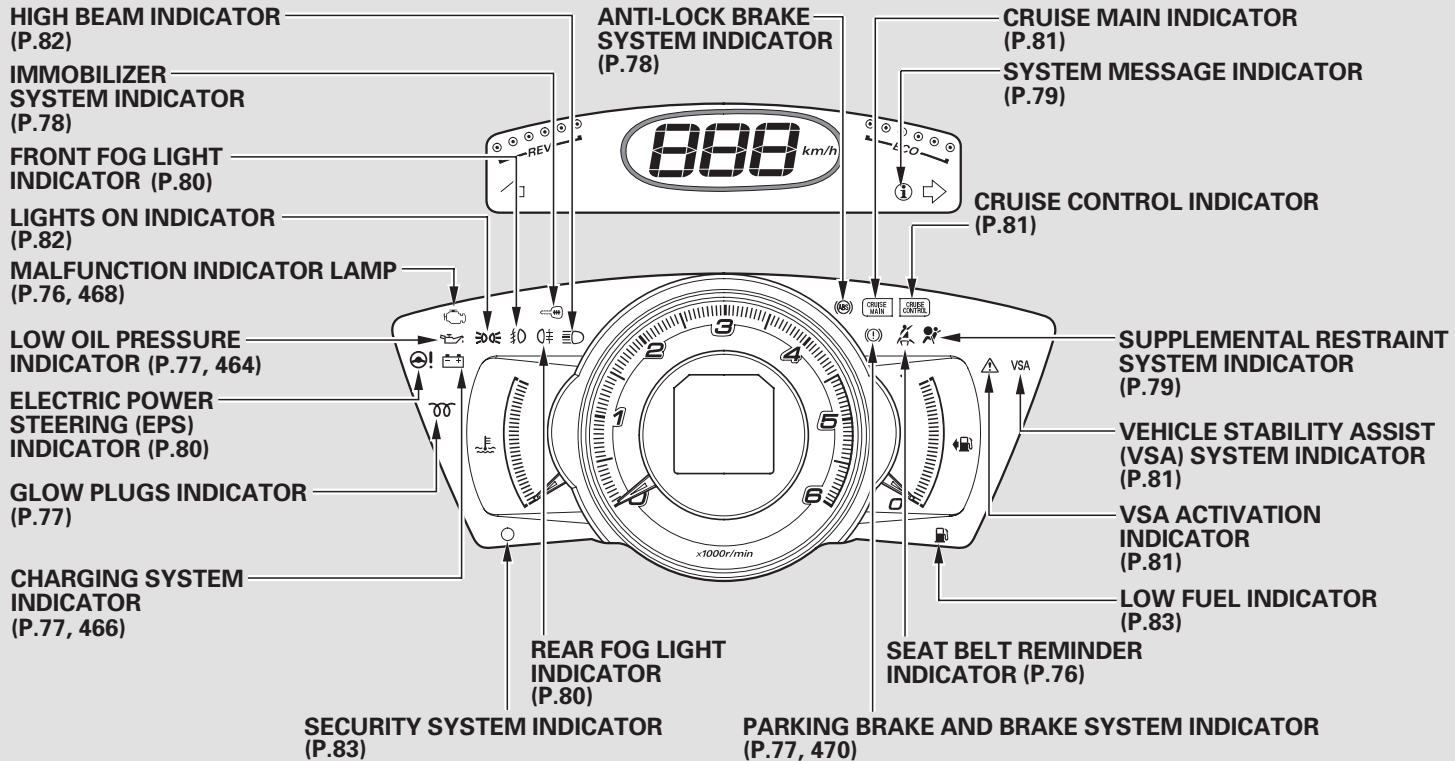
Instrument Panel (Petrol models)

Type-R



Since the indicators vary between models, some indicators are not on your vehicle.

Instrument Panel (Diesel models)



Since the indicators vary between models, some indicators are not on your vehicle.


Instrument Panel Indicators

The instrument panel has many indicators to give you important information about your vehicle.



Malfunction Indicator Lamp

See page 467 on petrol models and page 468 on diesel models.

You will also see the symbol “,” or this symbol with a “CHECK SYSTEM” message on the multi-information display (see page 104).

On Diesel models only

This indicator will also come on when you restart the engine after your vehicle has run out of fuel (see page 421).





Seat Belt Reminder Indicator

This indicator comes on when you turn the ignition switch to the ON (II) position. It reminds you and your passengers to fasten your seat belts. A beeper also sounds if you have not fastened your seat belt.

If you turn the ignition switch to the ON (II) position before fastening your seat belt, the beeper sounds and the indicator flashes. If you do not fasten your seat belt before the beeper stops, the indicator stops flashing but remains on.

If a front passenger does not fasten their seat belt, the indicator will come on about 6 seconds after the ignition switch is turned to the ON (II) position.

If either the driver or a front passenger does not fasten their seat belt while driving, the beeper will sound and the indicator will flash again at regular intervals. For more information, see page 22 .


You will also see the symbol “” (for a driver)/“₂” (for a front passenger), or this symbol with a “FASTEN YOUR SEAT BELT” or “FASTEN YOUR PASSENGER’S SEAT BELT” message on the multi-information display to remind you and your passengers to fasten your seat belts.

The seat belt system also monitors the seat belt use of all rear seating positions according to each seat belt buckle latch function. The multi-information display will show you the seat belt use on the rear seat (see page 98).



Low Oil Pressure Indicator


The engine can be severely damaged if this indicator flashes or stays on when the engine is running. For more information, see page 464 .

You will also see the symbol “” or this symbol with an “OIL PRESSURE LOW” message on the multi-information display (see page 104).



Charging System Indicator

If this indicator comes on when the engine is running, the battery is not being charged. For more information, see page 466 .

You will also see the symbol “,” or this symbol with a “CHECK SYSTEM” message on the multi-information display (see page 105).



Glow Plugs Indicator (Diesel models only)

This indicator comes on for a few seconds (several seconds in cold weather or at high altitudes) when you turn the ignition switch to the ON (II) position. When the engine is cold, wait for the indicator to go off before starting the engine.

If you experience any of the following symptoms, there may be a problem with the water temperature sensor of the fuel system. Have your vehicle inspected by your dealer.


- This indicator goes out faster than normal when the outside temperature is very low.
- It is hard to start the engine.



Parking Brake and Brake System Indicator


This indicator has two functions:

1. It comes on when you turn the ignition switch to the ON (II) position. It is a reminder to check the parking brake. A beeper sounds if you drive with the parking brake not fully released. Driving with the parking brake not fully released can damage the brakes and tyres.

You will also see the symbol “,” or this symbol with a “RELEASE PARKING BRAKE” message on the multi-information display (see page 100).

CONTINUED


2. If it remains lit after you fully release the parking brake while the engine is running, or if it comes on while driving, there could be a problem with the brake system. For more information, see page 470 .

You will also see the symbol “,” or this symbol with a “CHECK SYSTEM” message on the multi-information display (see page 104).



Anti-lock Brake System (ABS) Indicator

This indicator normally comes on for a few seconds when you turn the ignition switch to the ON (II) position. If it comes on at any other time, there is a problem with the ABS. If this happens, have your vehicle checked at a dealer. With this indicator on, your vehicle still has normal braking ability but no anti-lock function. For more information, see page 339 .

You will also see the symbol “,” or this symbol with a “CHECK SYSTEM” message on the multi-information display (see page 105).



Immobilizer System Indicator


This indicator comes on briefly when you turn the ignition switch to the ON (II) position. It will go off if you have inserted a properly-coded ignition key. If it is not a properly-coded key, the indicator will blink and the engine’s fuel system will be disabled (see page 149).



i-SHIFT (Automated Manual Transmission) System Indicator

Only on vehicles with i-SHIFT

This indicator normally comes on for a few seconds when you turn the ignition switch to the ON (II) position. If it comes on at any other time, or if it does not come on when you turn the ignition switch to the ON (II) position, there is a problem with the i-SHIFT control system. Avoid rapid acceleration, frequently shifting, and driving at high speed, and have the vehicle checked by your dealer as soon as possible.

When this indicator comes on, you will hear a beep as a reminder. You will also see the symbol “,” or this symbol with a “CHECK SYSTEM” message on the multi-information display (see page 106).

This indicator also comes on while driving if the clutch system is overheating. It will go off when the clutch system temperature comes down. If this indicator goes off while driving to your dealer, you can continue driving normally. For more information of the i-SHIFT, see page 326.



System Message Indicator


This indicator comes on when there is a system message in the multi-information display. Press the INFO button on the steering wheel to see the message (see page 90).

Most of the time, this indicator comes on along with other indicators in the instrument panel such as the seat belt reminder indicator, SRS indicator, VSA system indicator, etc.




Supplemental Restraint System Indicator

This indicator comes on briefly when you turn the ignition switch to the ON (II) position. If it comes on at any other time, it indicates a potential problem with your front airbags. This indicator will also alert you to a potential problem with your side airbags, side curtain airbags, or automatic seat belt tensioners. For more information, see page 30.

You will also see the symbol “,” or this symbol with a “CHECK SYSTEM” message on the multi-information display.



Electric Power Steering (EPS) Indicator

This indicator normally comes on when you turn the ignition switch to the ON (II) position and goes off after the engine starts. If it comes on at any other time, there is a problem in the electric power steering system. You will also see the symbol “,” or this symbol with a “CHECK SYSTEM” message on the multi-information display (see page 106).

If this happens, stop the vehicle in a safe place and turn off the engine. Reset the system by restarting the engine. The indicator will stay on, but should go off after driving a short distance. If it does not go off, or comes back on again while driving, take the vehicle to your dealer to have it checked. With the indicator on, the EPS may be turned off, making the vehicle harder to steer.

If you turn the steering wheel to the full left or right position repeatedly while stopping or driving at very low speed, you may feel slightly harder steering to avoid the damage from overheating of the steering gear box.



Rear Fog Light Indicator

This indicator comes on when you turn on the rear fog light. See page 142 for information on operating the rear fog light.



Front Fog Light Indicator

(For some types)

This indicator comes on when you turn on the front fog lights. See page 143 for information on operating the front fog lights.



Cruise Main Indicator

If equipped

This indicator comes on when you turn on the cruise control system by pressing the CRUISE button (see page 276).



Cruise Control Indicator

If equipped


This indicator comes on when you set the cruise control. See page 276 for information on operating the cruise control.



Vehicle Stability Assist (VSA) System Indicator

This indicator normally comes on for a few seconds when you turn the ignition switch to the ON (II) position.

If it comes on and stays on at any other time or it does not come on when you turn the ignition switch to the ON (II) position, there is a problem with the VSA system. Take your vehicle to a dealer to have it checked. Without VSA, your vehicle still has normal driving ability, but will not have VSA traction and stability enhancement.


You will also see the symbol “,” or this symbol with a “CHECK SYSTEM” message on the multi-information display (see page 107).

For more information, see page 341.



VSA Activation Indicator

This indicator has three functions:

1. It comes on as a reminder that you have turned off the vehicle stability assist (VSA) system.
2. It flashes when VSA is active (see page 341).
3. It comes on along with the VSA system indicator if there is a problem with the VSA system. You will also see the symbol “,” or this symbol with a “CHECK SYSTEM” message on the multi-information display (see page 107).

This indicator normally comes on for a few seconds when you turn the ignition switch to the ON (II) position. See page 341 for more information on the VSA system.



Turn Signal and Hazard Warning Indicators

The left or right turn signal indicator blinks when you signal a lane change or turn. If an indicator does not blink or blinks rapidly, it usually means one of the turn signal bulbs is burned out (see page 395). Replace the bulb as soon as possible, since other drivers cannot see that you are signalling.

When you press the hazard warning button, both turn signal indicators and all turn signals on the outside of the vehicle will flash.

Your vehicle has the one-push turn signal feature to signal a lane change easily (see page 140).

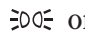



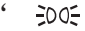
High Beam Indicator

This indicator comes on with the high beam headlights. For more information, see page 140.




Lights On Indicator

This indicator reminds you that the exterior lights are on. It comes on when the light switch is in either the  or  position. If you turn the ignition switch to the ACCESSORY (I) or the LOCK (0) position without turning off the light switch, this indicator will remain on. A reminder chime will also sound when you open the driver's door without the key in the ignition switch.

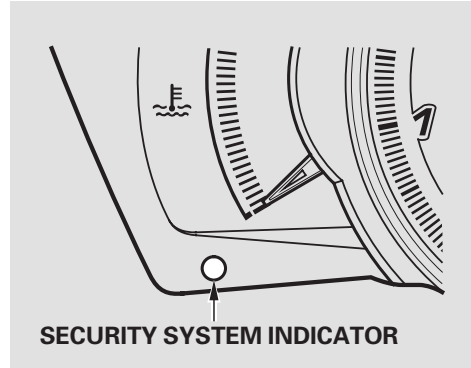
You will also see the symbol , or this symbol with a “HEADLIGHTS ON” message on the multi-information display (see page 101).

On vehicles with automatic lighting on feature

This indicator also comes on when the lights are turned on automatically with the light switch in the AUTO position.

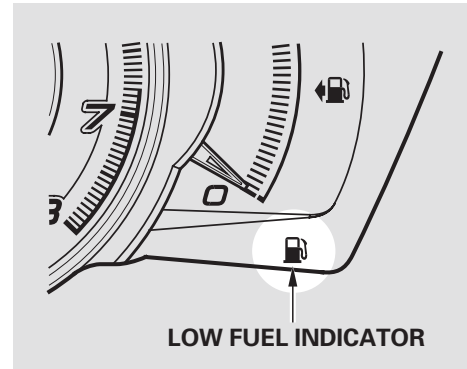
You will see the symbol “,” or this symbol with a “CHECK SYSTEM” message on the multi-information display if there is a problem with the automatic headlight control system.

Security System Indicator (For some types)




This indicator comes on when the security system is set. See page 273 for more information on the security system.

Low Fuel Indicator



This indicator is located in the fuel gauge. It comes on as a reminder that you must refuel soon.

You will also see the symbol “,” or this symbol with “FUEL LOW” (petrol models) or “DIESEL FUEL LOW” (diesel models) message on the multi-information display.

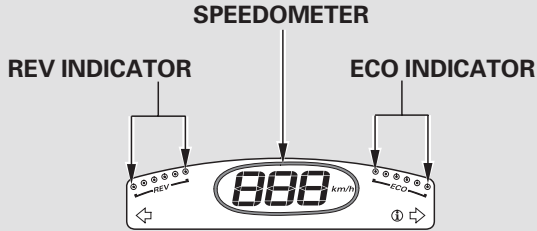
When the indicator comes on, there is about 7.5 l of fuel remaining in the tank before the needle reaches 0. There is a small reserve of fuel remaining in the tank when the needle reaches 0.

Type-R model

When the indicator comes on, there is about 8.1 l of fuel remaining in the tank before the needle reaches 0. There is a small reserve of fuel remaining in the tank when the needle reaches 0.

On diesel models

Refer to **Priming the Fuel System** on page 421 if your vehicle runs out of fuel.



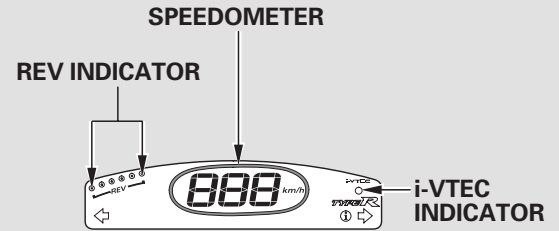
TEMPERATURE GAUGE

FUEL GAUGE

TACHOMETER

MULTI-INFORMATION DISPLAY

Petrol model with manual transmission is shown.



TEMPERATURE GAUGE

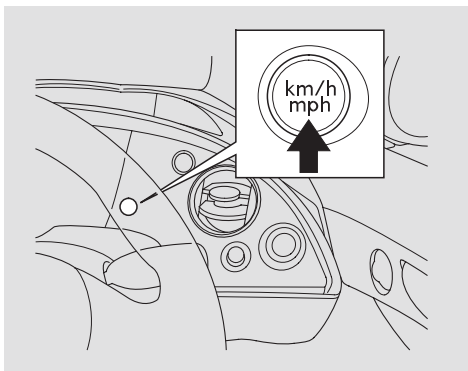
FUEL GAUGE

TACHOMETER

MULTI-INFORMATION DISPLAY

Type-R model

mph to km/h Change Button



On the right-hand drive models only
 Press and hold the mph to km/h change button until you hear a beep. The speedometer and the information on the multi-information display (trip meter, odometer, current fuel mileage, estimated distance, average speed, and average fuel economy readings) switch between kilometers per hour and miles per hour.



You will see the mph to km/h change indicator on the multi-information display. When you turn the ignition switch to the ON (II) position, what you last selected is displayed.

The mph is set as the default setting when the vehicle leaves the factory. Even if you change this setting to the km/h display, the system returns to the default setting if your vehicle's battery is disconnected or goes dead.

On some types

The km/h is set as the default setting when the vehicle leaves the factory. Even if you change this setting to the mph display, the system returns to the default setting if your vehicle's battery is disconnected or goes dead.

Speedometer

This shows your speed in kilometers per hour (km/h) or miles per hour (mph) depending on the type.

On the right-hand drive models, you can switch the display between km/h and mph.

You can set the vehicle speed alarm. For more information, see page 112 .

Tachometer

The tachometer shows the engine speed in revolutions per minute (rpm). To protect the engine from damage, never drive with the tachometer needle in the red zone.

Temperature Gauge

This shows the temperature of the engine's coolant. During normal operation, the pointer should rise to about the middle of the gauge. In severe driving conditions, such as very hot weather or a long period of uphill driving, the pointer may rise into the upper half of the gauge. If it reaches the red (hot) mark, pull in safely to the side of the road. Turn to page 460 on petrol models and page 462 on diesel models for instructions and precautions on checking the engine cooling system.

Fuel Gauge

This shows how much fuel you have. It may show slightly more or less than the actual amount. The needle returns to the bottom after you turn off the ignition.

NOTICE

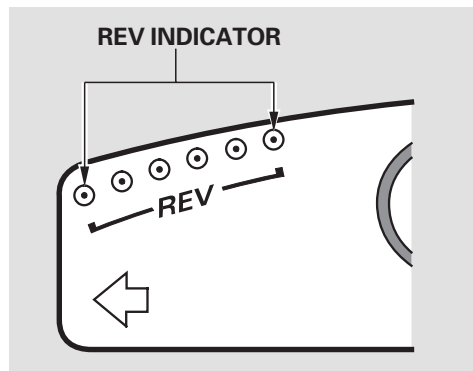
On petrol models only

Avoid driving with an extremely low fuel level. Running out of fuel could cause the engine to misfire, damaging the catalytic converter.

NOTICE

On diesel models only

The malfunction indicator lamp will come on or the glow plugs indicator will blink when you restart the engine after your vehicle has run out of fuel.

REV Indicator

This indicator shows you the tachometer reading approaching to the red zone while driving. When you see all six indicators come on, it indicates that the tachometer reading reaches the red zone.

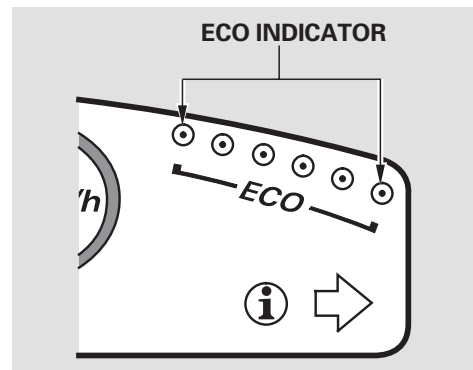
To protect engine damage, never drive with the tachometer reading in the red zone.

On vehicles with i-SHIFT

When you select the automatic driving mode, the REV indicator turns off. For more information, see page 326.

ECO Indicator

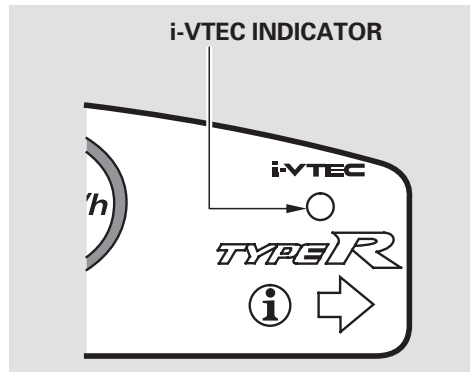
Except Type-R



This indicator shows the current fuel mileage and the fuel economy while driving. When you see all six indicators come on, it indicates that the engine is operating in its most economical range. No indicator comes on when your vehicle is using extra fuel.

i-VTEC Indicator

Type-R Model



While the vehicle is moving, the i-VTEC switches the low RPM cams to the high RPM cams and controls valve timing, valve lift, and so on by monitoring the engine load and rpm.

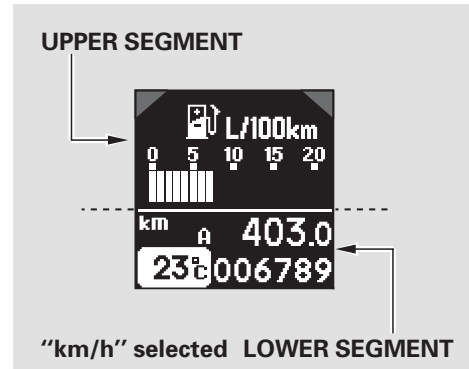
The i-VTEC indicator works as a reminder when the low RPM cams are changed to the high RPM cams. To activate this indicator to automatically turn on when the i-VTEC system switches to the high RPM cams, you need to customize the setting. The indicator's default setting is OFF. To customize the i-VTEC indicator, see page 129 .

The multi-information display in the tachometer on the instrument panel displays various information and symbols/messages when the ignition switch is in the ON (II) position. Some of the indicators/messages help you operate your vehicle more effectively. Others keep you aware of the vehicle's condition for continued trouble-free driving.

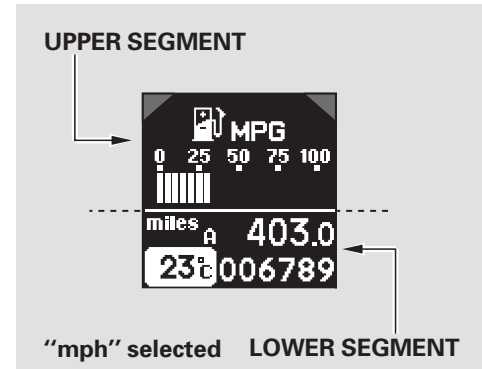
There are two types of symbols/messages: normal display symbols/messages and system warning symbols/messages.

You can select the displayed language and also customize some vehicle control settings to your liking with the multi-information display and the two buttons on the steering wheel (see page 90).

Normal Display Symbols/ Messages



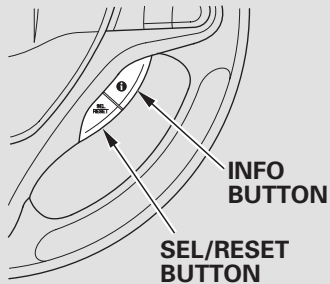
The multi-information display consists of an upper segment and a lower segment. Each segment can display two lines of messages.



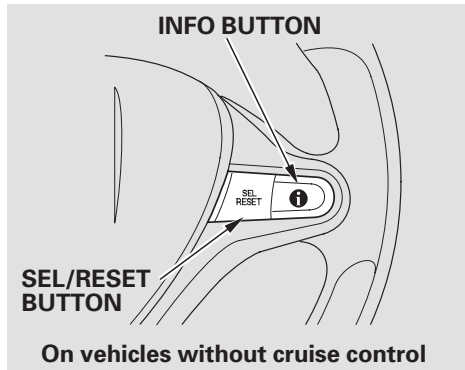
In normal display mode, the upper segment displays the trip computer, and the lower segment displays the odometer, trip meter, and outside temperature.

CONTINUED

Multi-Information Display



On vehicles with cruise control



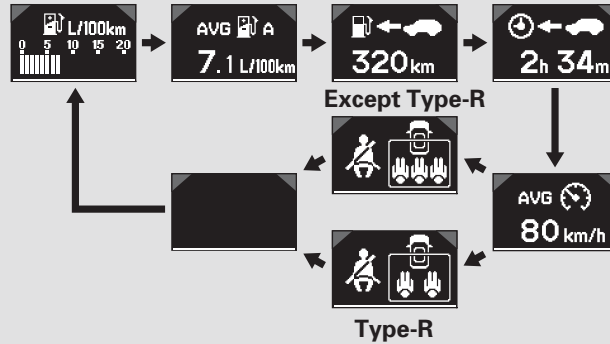
On vehicles without cruise control

In normal display mode, the upper display shows the current fuel mileage when you turn the ignition switch to the ON (II) position (see page 91). Each time you press the INFO button, the trip computer changes from the current fuel mileage to the estimated distance, to the elapsed time, to the average speed, to the average fuel mileage, to the rear seat belt use and then to no

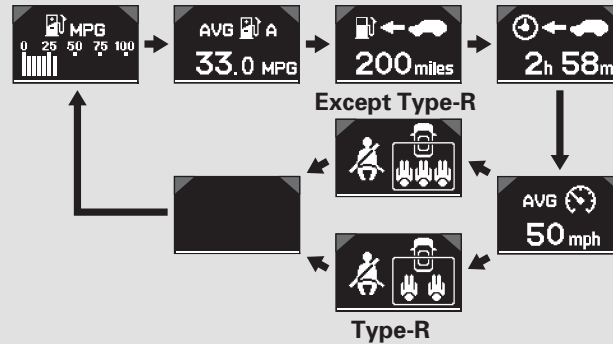
If there is any system warning, system warning symbol(s) will be shown on the multi-information display following the current fuel mileage display. The system warning symbol/message that has the highest priority will be displayed first when you turn the ignition switch to the ON (II) position.

display as shown on the next page.

Left-hand drive type



Right-hand drive type MPG is selected.



CONTINUED

Multi-Information Display


Indicators in the trip computer show:

 L/100km : Your vehicle's current fuel mileage in kilometers per hour and L/100 km.


 MPG : Your vehicle's current fuel mileage in miles per hour and mpg.


On diesel models with DPF


The display may show a current fuel mileage reading higher than in normal driving while the particulate matter (PM) is burnt and removed from the diesel particulate filter (DPF). For more information, see page 495.


 : The estimated distance you can travel on the fuel remaining in the tank.

This distance is estimated from the fuel economy you have achieved over the last few kilometers (miles), so it will vary with changes in speed, traffic condition, etc.

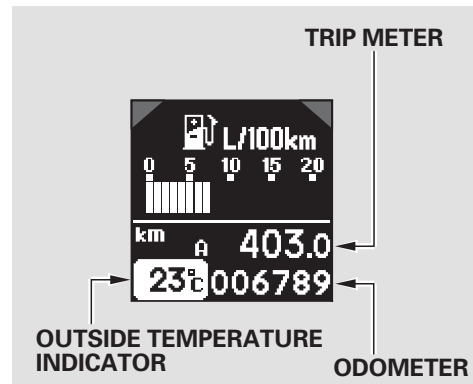
 : The time travelled since you last turned the ignition switch to the ON (II) position.

 : The average speed you are travelling is displayed in kilometers per hour (km/h) or miles per hour (mph) depending on the display mode you selected.

 : Your vehicle's average fuel mileage since you last reset the trip computer A.

 : Your vehicle's average fuel mileage since you last reset the trip computer B.

The average fuel mileage is updated once per 10 seconds. When you reset a trip meter, the average fuel mileage for that trip meter also resets. To reset the values in the trip computer, press and hold the SEL/RESET button until the number resets to "0.0."



The lower segment always shows the odometer, trip meter and the outside temperature in the normal display mode.

Odometer

The odometer shows the total number of kilometers or miles your vehicle has been driven.



Trip Meter

This meter shows the number of kilometers or miles driven since you last reset it.

There are two trip meters: trip A and trip B. To switch the display between them, press the SEL/RESET button repeatedly. When you turn the ignition switch to the ON (II) position, what you last selected is displayed.

Each trip meter works independently, so you can keep track of two different distances.

To reset a trip meter, display it, and then press and hold the SEL/RESET button until the number resets to "0.0."

"AVG  A" or "AVG  B" will be displayed when the average fuel mileage is selected in the upper segment, depending on which trip meter (trip A or trip B) is displayed in the lower segment.

Outside Temperature Indicator

This indicator displays the outside temperature in degrees Centigrade.

The temperature sensor is in the front bumper. Therefore, the temperature reading can be affected by heat reflection from the road surface, engine heat, and the exhaust from surrounding traffic. This can cause an incorrect temperature reading when your speed is under 30 km/h (19 mph).

The sensor delays the display update until it reaches the correct outside temperature. This may take several minutes.

If the outside temperature is incorrectly displayed, you can adjust it by up to $\pm 3^{\circ}\text{C}$ warmer or cooler (see page 120).

NOTE: The temperature must be stabilized before doing this procedure.

In certain weather conditions, temperature readings near freezing (0°C) could mean that ice is forming on the road surface. You will also see a caution symbol on the multi-information display (see page 102).

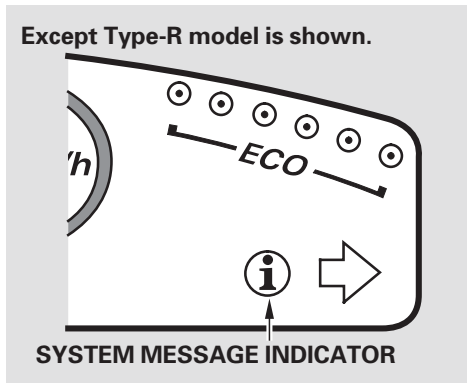
Multi-Information Display

System Warning Symbols

If there is a problem with your vehicle, for example, the engine oil level is low or a door is not fully closed, the multi-information display will show you the problem. It does this by interrupting the current display with one or more symbols/messages. Most of the symbols/messages are displayed for about 5 seconds, and then the current display returns. Some symbols/messages stay on until the problem is corrected.






When your vehicle is new, the multi-information display shows the system warning symbols without the message. This is the default setting when the vehicle leaves the factory. You can customize this setting to see the system warning symbols with messages (see page 118). Some symbols such as the low outside temperature, rear seat belt reminder indicator, etc., do not have a message.






In this section, the system symbol with message is used in almost all examples, but the symbol(s) are the same for the default setting.








These symbols/messages also trigger the appropriate indicator(s) on the instrument panel and cause the system message indicator to come on. The system message indicator does not go off until the problem(s) are corrected.

The following pages describe each system warning symbol/message that can be displayed. Here is a list of all messages:







	See pages 104, 467 and 468.
	See pages 104 and 464.
	See pages 104 and 470.
	See pages 103 and 465.
	See pages 107 and 466.






	See pages 80 and 106.
	See pages 105 and 466.
	See pages 107 and 469.
	See pages 30 and 105.
	See pages 105 and 339.




	See pages 77 and 100.
	See pages 100 and 378.
	See pages 106 and 336.
	See pages 107 and 341.
	See pages 22 and 97.

CONTINUED

Multi-Information Display


	See pages 22 and 97.
 	See pages 22 and 98.
	See page 99.
	See pages 101 and 140.
	See pages 100 and 150.

	See pages 109 and 384.
	See pages 108 and 495.
	See pages 108 and 496.
	See pages 93 and 102.
	See pages 109 and 141.

	See pages 102 and 112.
	See pages 102 and 112.
	<i>Petrol models</i> See pages 83 and 101.
	<i>Diesel models</i> See pages 83 and 101.


Fasten Seat Belt



In addition to the seat belt reminder indicator in the instrument panel, the current display is interrupted and the multi-information display shows this symbol “,” or this symbol with a “FASTEN SEAT BELT” message if you do not fasten your seat belt while driving. This symbol/message remains displayed if you ignore it and do not wear your seat belt while the vehicle is moving.

Fasten Passenger Seat Belt



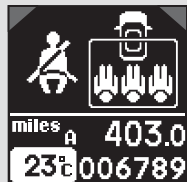
The multi-information display also interrupts the current display and shows this symbol “,” or this symbol with a “FASTEN PASSENGER SEAT BELT” message if a front seat passenger does not fasten their seat belt while driving. This symbol/message remains displayed if a passenger ignores it and does not wear the seat belt while the vehicle is moving.

For more information of the seat belt reminder indicator, see page 22 .

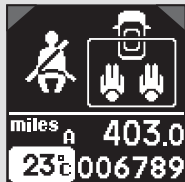
Multi-Information Display

Rear Seat Belt Use Monitor

Except Type-R



Type-R



When you turn the ignition switch to the ON (II) position, the upper segment of the multi-information display shows the rear seat belt use.

This monitor goes off after about 30 seconds. It will also go off when you change the display by pressing the system message button on the steering wheel.

Except Type-R



Seat belts in right and centre positions are used.


The seat belt system detects any seat belt use of all three or two (Type-R model) rear seat seating positions according to each seat belt buckle latch function. The system shows you how many rear seat belts are being used and reminds you and your passengers to fasten their seat belts. According to the rear seat belt use (1 through 3 or 1 through 2), you will see the indicator(s) highlighted on the right side of the upper

Type-R

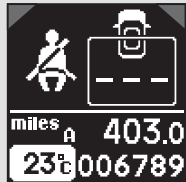


Seat belt in right positions is used.

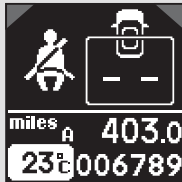
segment.

While driving, you can also confirm the rear seat belt use. Press and release the INFO button () repeatedly to change the display.

Except Type-R



Type-R



If the system cannot detect the seat belt use, you will see three or two (Type-R model) dashes. Turn the ignition switch to the LOCK (0) position to reset the system. If this happens, the SRS indicator also comes on. Have your vehicle checked by your dealer (see page 30).

Door and Tailgate Open



If the tailgate or either door(s) is not closed tightly, this monitor display indicates you which door or the tailgate is not closed tightly, and reminds you to close the tailgate or the door(s) before you start driving. This display continues until you close the door(s) and the tailgate.

Pressing the INFO button on the steering wheel momentarily changes the display, but it will come back after about 5 seconds.

Multi-Information Display

Release Parking Brake



If you start driving without releasing the parking brake, the current display is interrupted and the multi-information display shows this symbol, or this symbol with a “RELEASE PARKING BRAKE” message. This symbol/message continues, and a chime sounds, until you release the parking brake.

Ignition Key



If you leave the key in the ignition switch in the LOCK (0) or ACCESSORY (I) position and open the driver’s door, you will see this symbol, or this symbol with/a “IGNITION KEY” message on the display and hear a reminder beeper.

Brake Fluid Low



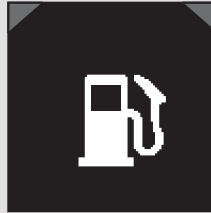
If the brake fluid level is at or below the MIN mark on the side of the brake fluid reservoir in the engine compartment, you will see this symbol, or this symbol with a “BRAKE FLUID LOW” message. If you see this message, have the brake system checked by your dealer (see page 378).

Fuel Low



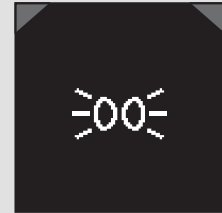
On petrol models
If the level of the fuel in the tank gets low, you will see this symbol, or this symbol with a “FUEL LOW” message on the display, and you must refuel soon. The low fuel indicator in the instrument panel will also come on (see page 83).

Diesel Fuel Low



On diesel models
If the level of the fuel in the tank gets low, you will see this symbol, or this symbol with a “DIESEL FUEL LOW” message on the display, and you must refuel soon. The low fuel indicator in the instrument panel will also come on (see page 83).

Headlights On



If you turn the ignition switch to the ACCESSORY (I) or LOCK (0) position without turning off the headlights or position lights, and open the driver's door, you will see this symbol, or this symbol with a “HEADLIGHTS ON” message on the display. The lights on indicator in the instrument panel also comes on and stays on.

Multi-Information Display

Speed Alarm



Alarm at vehicle speed 80 km/h is set.

If you set the speed alarm function in the custom settings, you will see this indicator and hear a beep when the vehicle speed reaches the set speed. You can set two different speeds for the alarm. For more information to set the speed alarm, see page 112 .

Low Outside Temperature



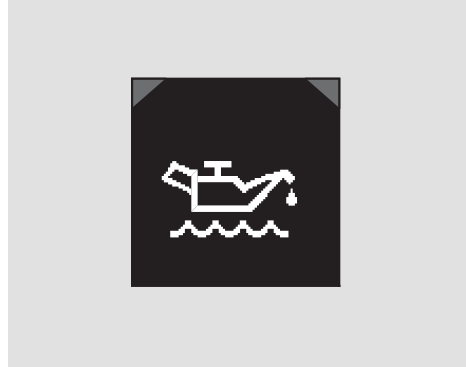
If the outside temperature is very low (near freezing) and there is a risk that the road surface is iced over, you will see this symbol on the multi-function display. For more information of the outside temperature indicator, see page 93 .

System Warnings

The following symbols/messages indicate various problems in your vehicle's systems.

You will also hear a beep when the symbol or the symbol with a message is displayed on the multi-information display at the first time.

Check Engine Oil Level



If this symbol or this symbol with a “CHECK ENGINE OIL LEVEL” message comes on on the multi-information display when the engine is running, the engine oil level is low. You will also hear a beep with this symbol/message on. You should check the oil level and add engine oil. For more information, see page 465 .

NOTICE

If you ignore the oil level symbol/message and keep driving with this symbol/message on, you can seriously damage the engine.

Multi-Information Display

Oil Pressure Low



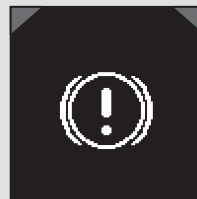
If the engine oil is very low or has lost pressure, you will see this symbol or this symbol with an “OIL PRESSURE LOW” message on the multi-information display. You will also see the low oil pressure indicator in the instrument panel flashing or staying on. If you see this symbol/message, you should take immediate action since serious engine damage is possible. Follow the procedure on page 464 .

Check System (Engine)



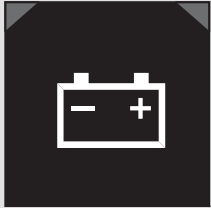
If you see this symbol or this symbol with a “CHECK SYSTEM” message on the multi-information display, it means one of the engine’s emissions systems may have a problem. Have your vehicle checked by a dealer (see page 467 on petrol models and page 468 on diesel models).

Check System (Brake)



If there is a problem with the brake system, you will see this symbol or this symbol with a “CHECK SYSTEM” message on the multi-information display. The parking brake and brake system indicator in the instrument panel will also come on. For more information, see page 470 .

Check System (Charging System)



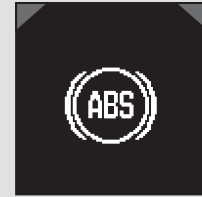
If you see this symbol or this symbol with a “CHECK SYSTEM” message on the multi-information display, it means the battery is not being charged. For more information, see page 466 .

Check System (Airbag System)



If there is a problem with your front airbags, side airbags, automatic seat belt tensioners, or side curtain airbags, you will see this symbol or this symbol with a “CHECK SYSTEM” message on the multi-information display. Take your vehicle to a dealer as soon as possible (see page 30).

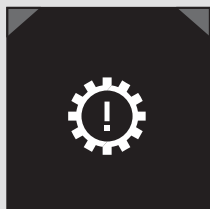
Check System (ABS System)



If there is a problem with the anti-lock brake system (ABS), you will see this symbol or this symbol with a “CHECK SYSTEM” message on the multi-information display. Have your vehicle checked by a dealer (see page 78).

Multi-Information Display

Check System (i-SHIFT)



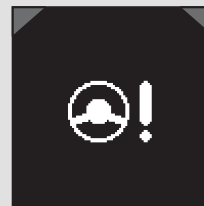
On vehicles with i-SHIFT (automated manual transmission)

If there is a problem with the i-SHIFT system, you will see this symbol or this symbol with a “CHECK SYSTEM” message on the multi-information display. The i-SHIFT system indicator on the instrument panel will also come on and you will hear a beep. If you see this symbol/message, avoid rapid acceleration, frequently shifting, and

driving at high speed, and have the vehicle checked by your dealer as soon as possible. For more information, see page 336 .

This symbol/message and the i-SHIFT system indicator also come on while driving if the clutch system is overheating. They will go off when the clutch system temperature comes down. If they go off while driving to your dealer, you can continue driving normally.

Check System (EPS)



If there is a problem with the electric power steering (EPS) system, you will see this symbol or this symbol with a “CHECK SYSTEM” on the multi-information display. The EPS system indicator in the instrument panel will also come on. If you see this symbol/message, have the EPS system checked by your dealer. For more information, see page 80 .

Check System (VSA)



If there is a problem with the vehicle stability assist (VSA) system, you will see this symbol or this symbol with a “CHECK SYSTEM” message on the multi-information display. The VSA system and VSA activation indicators in the instrument panel will also come on. If you see this symbol/message, have the VSA system checked by your dealer. For more information, see page 341 .

Check System (Engine Oil Level Sensor)



If there is a problem with the engine oil level sensor system, you will see this symbol or this symbol with a “CHECK SYSTEM” message on the multi-information display. If you ignore this symbol/message and continue driving, the system will be seriously damaged. For more information, see page 466 .

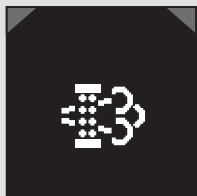
Check System (PGM-FI)



If there is a problem with the engine control system, you will see this symbol or this symbol with a “CHECK SYSTEM” message on the multi-information display. If you ignore this symbol/message and continue driving, the engine control system will be seriously damaged. For more information, see page 469 .

Multi-Information Display

DPF (Regeneration Required)



Diesel models with DPF (Diesel Particulate Filter)

If you see this symbol or this symbol with a “DPF REGENERATION REQUIRED” message on the multi-information display while the engine is running, it means the diesel particulate filter (DPF) should be regenerated to remove the accumulated particulate matter (PM). For more information on the DPF system, see page 495 .

DPF (Check System)



Diesel models with DPF (Diesel Particulate Filter)

If you see this symbol or this symbol with a “CHECK SYSTEM” message on the multi-information display while the engine is running, it means the diesel particulate filter (DPF) is clogged with accumulated particulate matter (PM) and it should be checked, then repaired or replace. Take your vehicle to a Honda dealer as soon as possible.

If you ignore this symbol/message and continue driving, the DPF and your vehicle’s emission control systems will be seriously damaged. For more information on the DPF system, see page 496 .

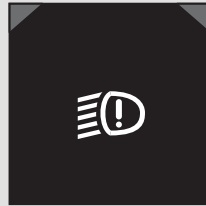
Water In Fuel Filter



Diesel models only

If this symbol or this symbol with a “WATER IN FUEL FILTER” shows on the multi-information display, water stays in the fuel system which may cause damage to the fuel injection system. Contact your dealer as soon as possible and have the fuel filter checked to drain off water.

Check System (Automatic Headlights On)



On vehicles with automatic lighting feature

If you see this symbol or this symbol with a “CHECK SYSTEM” message on the multi-information display, it means there is a problem with the automatic headlights on control system. If you see this symbol/message, have the vehicle checked by your dealer as soon as possible.

Multi-Information Display

Customized Settings

You can customize some of the vehicle control settings to suit your needs. The table shows the settings you can customize.

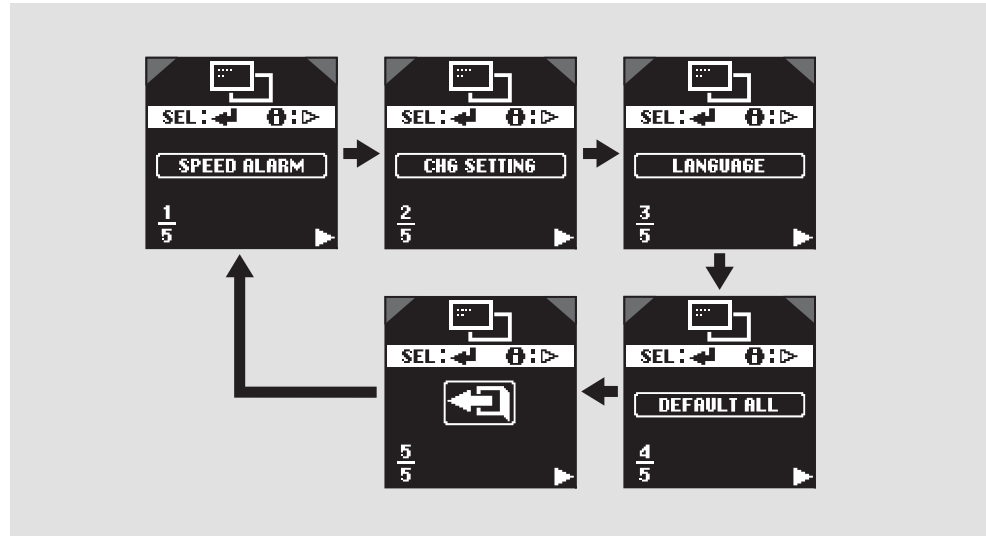
Group Setup	Menu Item	Description	Setting Option	Page
SPEED ALARM (P.111)	SPEED ALARM 1 (ON/OFF, Setting)	Sets the speed alarm on and changes the alarm speed setting.	ON/OFF* ³ over 5 km/h (mph) with 5 km/h (mph) steps	112
	SPEED ALARM 2 (ON/OFF, Setting)			
	SPEED ALARM 1* ¹ (ON/OFF)	Sets the speed alarm on.	ON/OFF* ³	115
	SPEED ALARM 2* ¹ (ON/OFF)			
CHG SETTING (P.117)	WARNING MESSAGE	Switches warning message to be displayed or not.	ON/OFF* ³	118
	ADJUST OUTSIDE TEMP. DISPLAY	Changes the outside temperature reading above or below its current reading.	up to $\pm 3^{\circ}\text{C}$ 0°C * ³	120
	TRIP A RESET WITH REFUEL	Causes trip meter A and the average fuel economy to reset when you refuel.	ON/OFF* ³	121
	ELAPSED TIME RESET	Resets the elapsed time of your current trip.	IGN OFF* ³ , TRIP A, TRIP B	123
	DISPLAY UNIT* ²	Changes the measurement standard in the trip computer.	AUTO* ³ , KM, MILES	124
	REV. INDICATOR	Switches indicator to be displayed or not.	ON* ³ /OFF	126
	ECO. INDICATOR	Switches indicator to be displayed or not.	ON* ³ /OFF	127
i-VTEC. INDICATOR* ⁴	Switches indicator to be displayed or not.	ON/OFF* ³	129	
LANGUAGE (P.111)		Changes the language used in the display.	ENGLISH* ³ , ITALIAN, SPANISH, GERMAN, FRENCH, PORTUGUESE	130
DEFAULT ALL (P.111)		Resets all customized settings to the factory default.	CANCEL* ³ OK	132

*1: Setting is available while driving *2: Only on the right-hand drive type *3: Factory default setting *4: Type-R

110 Instruments and Controls

To enter the customizing mode, the vehicle must be stopped with the ignition switch in the ON (II) position and the parking brake is set. (Exceptionally, this condition is not applied on some speed alarm settings.) Press and hold the INFO button on the steering wheel for about 3 seconds while the multi-information display is in its normal display. Here are the settings you can customize.

- **SPEED ALARM:** To set the speed alarm (see page 112).
- **CHG SETTING:** To change vehicle control settings (see page 117).
- **LANGUAGE:** To select language (see page 130).
- **DEFAULT ALL:** To return to the default settings (see page 132).



Each time you press the INFO button, the display switches from “SPEED ALARM”, “CHG SETTING”, “LANGUAGE”, “DEFAULT ALL”, “EXIT”, and then back to “SPEED ALARM” as shown above.


CONTINUED

Multi-Information Display

If you set the alarm to the specified vehicle speed while driving, select “SPEED ALARM,” and refer to page 115 . Exceptionally, you can also select the specified speed alarm while driving.

If you want to change any vehicle control settings, select “CHG SETTING,” and follow the instructions on page 117 .

If you want the settings as they were when the vehicle left the factory, select “DEFAULT ALL,” as described on page 132 .

Use the INFO button () on the steering wheel to see and scroll through the settings, and the SEL/RESET button to enter your selections.

If you do not select any settings on the display after you press the INFO button and the setting menu is displayed, the customizing mode display will return to the normal display after about 10 seconds.

If you try to start driving while customizing the settings, you will see “MUST STOP AND PARK TO CHANGE SETTINGS” on the display and the customizing will be cancelled.

Customizing is also cancelled, if you turn the ignition switch out of the ON (II) position.

Speed Alarm

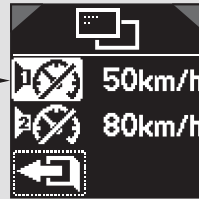
You can access different alarm functions when the vehicle is stopped or while driving. While driving, you can select either of the two speed alarm settings. When your vehicle is stopped, you can customize the setting speed to your preference.

To set the speed alarm while the vehicle is stopped:



Press and hold the INFO button to enter the customizing mode, then press and release the INFO button repeatedly to select “SPEED ALARM.” While the multi-information display is showing “SPEED ALARM,” press the SEL/RESET button. The display changes to the setting mode.


Speed setting 1 off is selected.



On the left-hand drive type, you can set the speed alarm in km/h. On the right-hand drive type, you can set the speed alarm in km/h or mph according to the selected speedometer display. The two speed selections and the on/off setting icons are displayed.

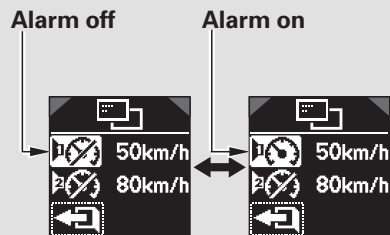
Speed setting 1: You can set the alarm on or off, and adjust the setting speeds above or below 50 km/h (30 mph).

Speed setting 2: You can set the alarm on or off, and adjust the setting speeds above or below 80 km/h (50 mph).

Each time you press and release the INFO button (), the selected icon is changed from set 1, to 50 km/h (30 mph), and to set 2, to 80 km/h (50 mph). Then press the INFO button again to exit.

CONTINUED

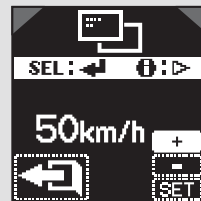
Multi-Information Display



Select either of the setting modes (1 or 2), then select on or off by pressing the SEL/RESET button repeatedly.



To adjust the setting speed, select either of the setting speeds, then press and hold the SEL/RESET button. The display changes to the speed setting screen.

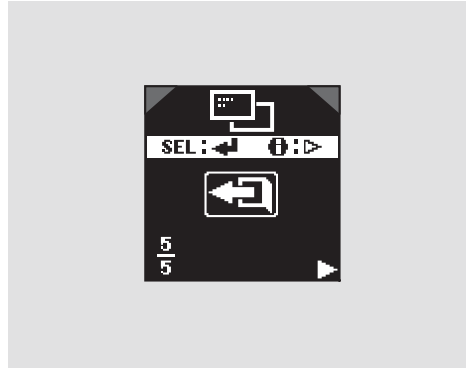


The displayed number is the current speed setting. Select either the + or - icon by pressing the INFO button repeatedly, then press the SEL/RESET button to change the setting value.

Each time you press the SEL/RESET button, the setting speed increases or decreases by 5 km/h (mph). You can set the speed values over 5 km/h (5 mph) with 5 km/h (mph) steps. Always follow the posted speed limit and never drive faster than is safe for the traffic conditions.

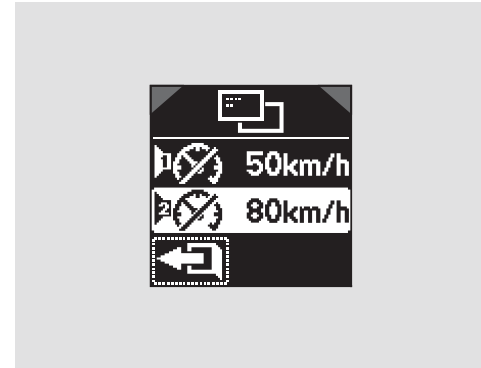
To enter your selection, select the SET icon by pressing the INFO button, then press and hold the SEL/RESET button.

After your selection, press and release the INFO button to move to the exit mode. Press the SEL/RESET button to enter your setting. If you press the INFO button, the display goes back to the setting mode. Repeat the setup.



To exit the customizing mode, select the exit mode shown above by pressing the INFO button repeatedly, then press the SEL/RESET button. The display goes back to the normal display.

To select the alarm speed while driving:

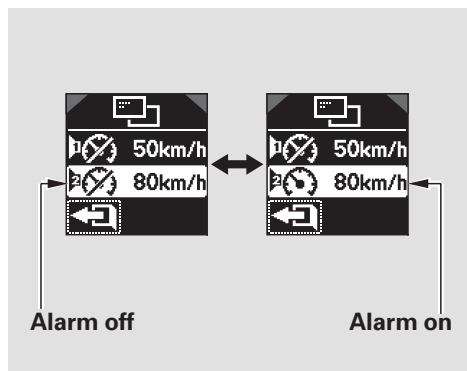


Press the INFO button for about 1 second to switch the display. You will see the speed alarm settings on the multi-information display.

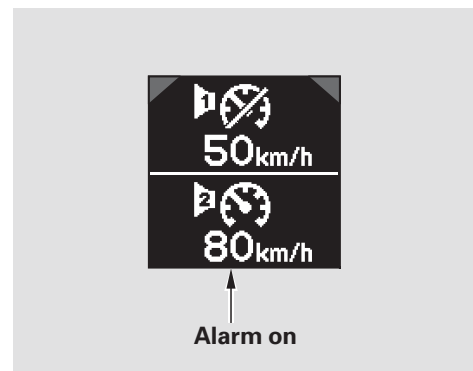
CONTINUED

Multi-Information Display

According to the selected display, you can select the alarm speed between the two setting speeds: 50 km/h and 80 km/h in km/h mode, or 30 mph and 50 mph in mph mode. Each time you press and release the INFO button, the selected icon is changed between the setting speeds and the exit icon.



Select the desired setting speed, then press the SEL/RESET button. Each time you press the SEL/RESET button, the selected speed icon switches between on and off. After your selection, press and release the INFO button to move to the exit mode. Press the SEL/RESET button to enter your setting. If you press the INFO button, the display goes back to the setting mode. Repeat the setup.



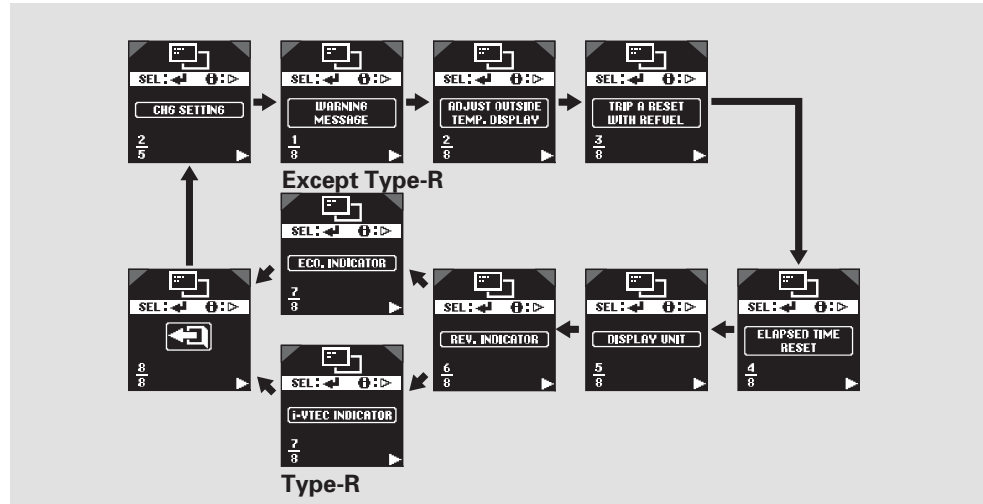
After pressing the SEL/RESET button, the display shows your setting for a few seconds, then goes back to the normal display.

If you do not press any button, the display returns to the normal display after about 10 seconds.

Change Setting

You can customize some of the vehicle control settings to suit your needs. The following items are the settings you can customize.

- **WARNING MESSAGE:** The warning message is displayed with the symbol or not (see page 118).
- **ADJUST OUTSIDE TEMP. DISPLAY:** The outside temperature indicator value is adjustable up to + or - 3°C (see page 120).
- **TRIP A RESET WITH REFUEL:** Average fuel mileage for trip meter A can be reset after refueling (see page 121).
- **ELAPSED TIME RESET:** The elapsed time can be reset when you turn the ignition switch to the OFF (0) position or when you reset the trip meter A or B (see page 123).



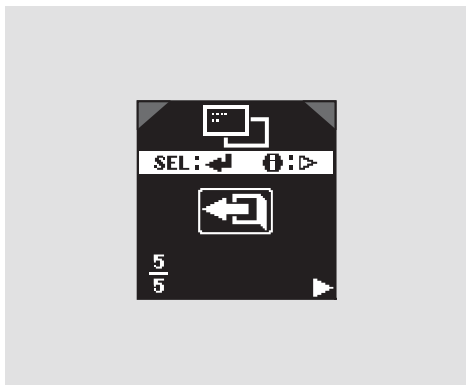
- **DISPLAY UNIT:** Measurements in the trip computer can be selected; auto, km or miles (see page 124). This function is available on the right-hand drive type only.
- **REV. INDICATOR:** Rev indicator can be turned on or off (see page 126).
- **ECO. INDICATOR:** ECO indicator can be turned on or off (see page 127).
- **i-VTEC. INDICATOR:** i-VTEC indicator can be turned on or off (see page 129).

CONTINUED

Multi-Information Display

Press and hold the INFO button to enter the customizing mode, then press and release the INFO button repeatedly to select “CHG SETTING.” While the multi-information display is showing “CHG SETTING,” press the SEL/RESET button. The display changes to the setting mode.

Press and release the INFO button repeatedly until you see the setup you want to customize, and press the SEL/RESET button to enter your selection. Each time you press the INFO button, the display changes as shown. To customize each setting, follow the procedures described on the following pages.



To exit the customizing mode after your selection, select the exit mode shown above by pressing the INFO button repeatedly, then press the SEL/RESET button. The display will return to the normal display.

Warning Message



You can see message(s) with the system warning symbol on the multi-information display. While the multi-information display is showing “WARNING MESSAGE,” press the SEL/RESET button. The display changes to the setting display.




You can select “ON” or “OFF”. Each time you press the INFO button, the selected mode switches between on and off. Enter your selection by pressing the SEL/RESET button.



When your selection is successfully completed, the display shows “SETUP ON” for a few seconds, then goes back to the “CHG SETTING” display. Press the SEL/RESET button, then press the INFO button repeatedly to select another customizing mode. If you fail to enter your selection, you will see “INCOMPLETE” on the display for a few seconds. The display returns to the setting mode.



Repeat the setup.

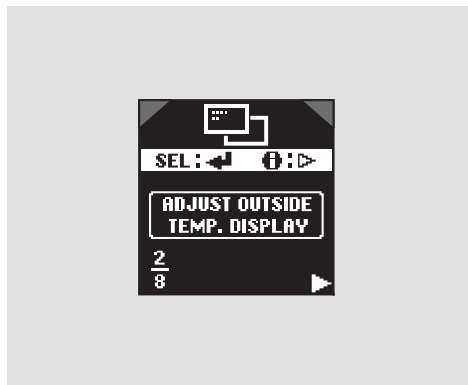
To exit the customizing mode, select the exit mode by pressing the INFO button repeatedly, then press the SEL/RESET button (see page 118). The display goes back to the “WARNING MESSAGE” display. To return to the normal display, select the  display, then press the SEL/RESET button.

CONTINUED

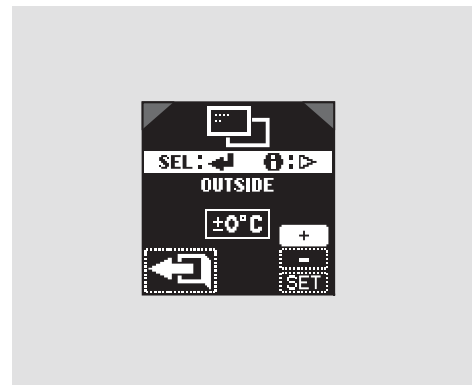
Multi-Information Display

Outside Temperature Display Adjustment

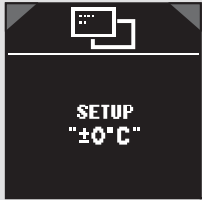
If you find that the temperature reading is always a few degrees below or above the actual temperature, adjust it as described on the following columns.



While the multi-information display is showing “ADJUST OUTSIDE TEMP. DISPLAY,” press the SEL/RESET button. The display changes to the setting display.



The highlighted number is the current adjustment above or below the outside temperature. Select either + or – icon by pressing the INFO button repeatedly then press the SEL/RESET button to change the setting value. You can select the value between 0, +1, +2, +3, and 0, –1, –2, –3. To enter your selection, select the SET icon by pressing the INFO button, then press the SEL/RESET button.



When your selection is successfully completed, the display shows "SETUP ± °C" for a few seconds, then goes back to the "CHG SETTING" display. Press the SEL/RESET button, then press the INFO button repeatedly to select another customizing mode.

If you fail to enter your selection, you will see "INCOMPLETE" on the display for a few seconds. The display returns to the setting mode. Repeat the setup.

To exit the customizing mode, select the exit mode by pressing the INFO button repeatedly, then press the SEL/RESET button. The display goes back to the normal display.

Trip A Reset With Refuel



To cause the trip meter A and the average fuel mileage for trip A to reset every time you refuel your vehicle, adjust it as described as follows.

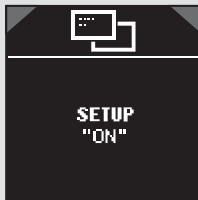
While the multi-information display is showing "TRIP A RESET WITH REFUEL," press the SEL/RESET button. The display changes to the setting display.

CONTINUED

Multi-Information Display



You can select “ON” or “OFF”. Each time you press the INFO button, the selected mode switches between on and off. Enter your selection by pressing the SEL/RESET button.

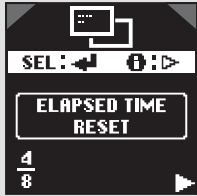


When your selection is successfully completed, the display shows “SETUP ON” for a few seconds, then goes back to the “CHG SETTING” display. Press the SEL/RESET button, then press the INFO button repeatedly to select another customizing mode.

If you fail to enter your selection, you will see “INCOMPLETE” on the display for a few seconds. The display returns to the setting mode. Repeat the setup.

To exit the customizing mode, select the exit mode by pressing the INFO button repeatedly, then press the SEL/RESET button. The display will return to the normal display.

Elapsed Time Reset



To cause the elapsed time to reset every time you turn the ignition switch to the LOCK (0) position or reset the trip meter A or B, adjust it as described as follows.

While the multi-information display is showing “ELAPSED TIME RESET,” press the SEL/RESET button. The display changes to the setting display.



You can select “IGN OFF,” “TRIP A,” or “TRIP B”. Each time you press the INFO button, the selected mode switches between them. Enter your selection by pressing the SEL/RESET button.

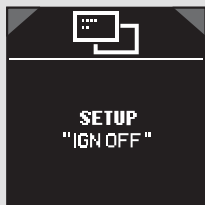
IGN OFF: The elapsed time is reset when you turn the ignition switch to the LOCK (0) position.

TRIP A: The elapsed time is reset when you reset the trip meter A.

TRIP B: The elapsed time is reset when you reset the trip meter B.

CONTINUED

Multi-Information Display



IGN OFF is selected.

When your selection is successfully completed, the display shows the appropriate setting; “SETTING IGN OFF,” “SETUP TRIP A,” or “SETUP TRIP B” for a few seconds, then goes back to the “CHG SETTING” display. Press the SEL/RESET button, then press the INFO button repeatedly to select another customizing mode.

If you fail to enter your selection, you will see “INCOMPLETE” on the display for a few seconds. The display returns to the setting mode. Repeat the setup.

To exit the customizing mode, select the exit mode by pressing the INFO button repeatedly, then press the SEL/RESET button. The display goes back to the normal display.

Display Unit



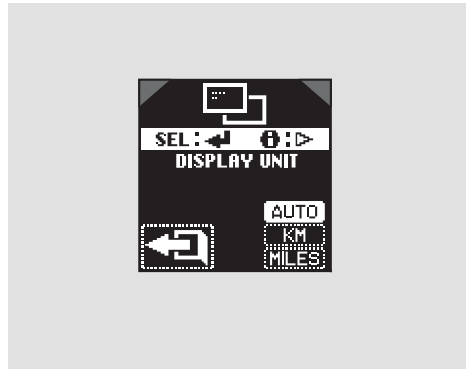
On the right-hand drive type only
You can select the measurement standard in the trip computer as described as follows. There are three selectable modes; AUTO, KM and MILES.

AUTO: The displayed measurements of the trip computer on the multi-information display correspond with the speedometer display setting. The display switches between “km” and “miles.”

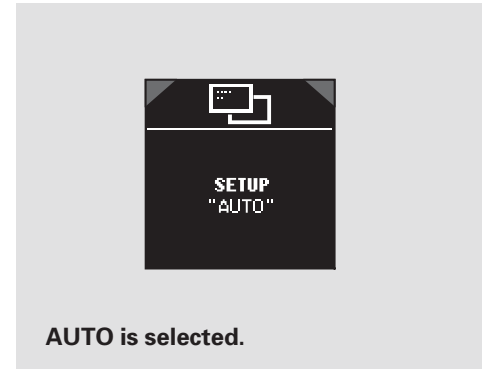
KM: The displayed measurements of the trip computer on the multi-information display do not correspond to the speedometer display switching. Always display with “km.”

MILES: The displayed measurements of the trip computer on the multi-information display do not correspond to the speedometer display switching. Always display with “miles.”

While the multi-information display is showing “DISPLAY UNIT,” press the SEL/RESET button. The display changes to the setting display.



You can select “AUTO,” “KM,” or “MILES”. Each time you press the INFO button, the selected mode switches between them. Enter your selection by pressing the SEL/RESET button.



AUTO is selected.

When your selection is successfully completed, the display shows the appropriate setting; “SETUP AUTO,” “SETUP KM,” or “SETUP MILES” for a few seconds, then goes back to the “CHG SETTING” display. Press the SEL/RESET button, then press the INFO button repeatedly to select another customizing mode.

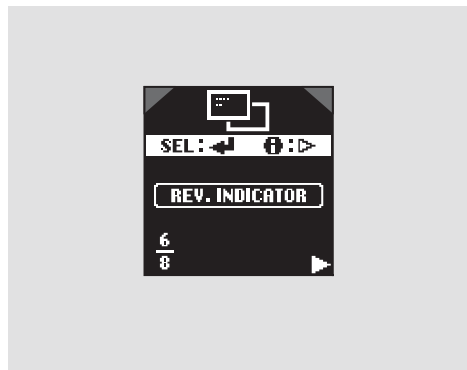
CONTINUED

Multi-Information Display

If you fail to enter your selection, you will see “INCOMPLETE” on the display for a few seconds. The display returns to the setting mode. Repeat the setup.

To exit the customizing mode, select the exit mode by pressing the INFO button repeatedly, then press the SEL/RESET button. The display goes back to the normal display.

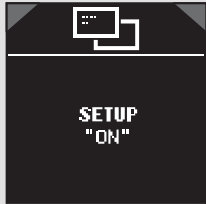
REV Indicator



You can select the REV indicator in the instrument panel. While the multi-information display is showing “REV. INDICATOR,” press the SEL/RESET button. The display changes to the setting display.



You can select “ON” or “OFF”. Each time you press the INFO button, the selected mode switches between on and off. Enter your selection by pressing the SEL/RESET button.



ON is selected.

When your selection is successfully completed, the display shows “SETUP ON” or “SETUP OFF” for a few seconds, then goes back to the “CHG SETTING” display. Press the SEL/RESET button, then press the INFO button repeatedly to select another customizing mode.

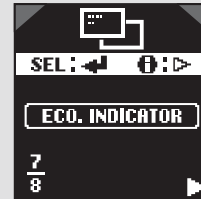
If you fail to enter your selection, you will see “INCOMPLETE” on the display for a few seconds. The display returns to the setting mode. Repeat the setup.

To exit the customizing mode, select the exit mode by pressing the INFO button repeatedly, then press the SEL/RESET button. The display goes back to the normal display.

On vehicles with i-SHIFT

In the automatic driving mode, the REV indicator goes out even if the setting is on.

ECO Indicator Except Type-R



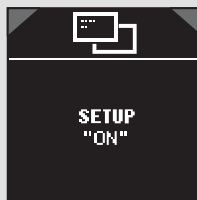
You can display the ECO indicator in the instrument panel. While the multi-information display is showing “ECO. INDICATOR,” press the SEL/RESET button. The display changes to the setting display.

CONTINUED

Multi-Information Display



You can select “ON” or “OFF”. Each time you press the INFO button, the selected mode switches between on and off. Enter your selection by pressing the SEL/RESET button.



ON is selected.

When your selection is successfully completed, the display shows “SETUP ON” or “SETUP OFF” for a few seconds, then goes back to the “CHG SETTING” display. Press the SEL/RESET button, then press the INFO button repeatedly to select another customizing mode.

If you fail to enter your selection, you will see “INCOMPLETE” on the display for a few seconds. The display returns to the setting mode. Repeat the setup.

To exit the customizing mode, select the exit mode by pressing the INFO button repeatedly, then press the SEL/RESET button. The display goes back to the normal display.

i-VTEC Indicator *Type-R model only*



You can display the i-VTEC indicator in the instrument panel. While the multi-information display is showing “i-VTEC INDICATOR,” press the SEL/RESET button. The display changes to the setting display.



You can select “ON” or “OFF”. Each time you press the INFO button, the selected mode switches between on and off. Enter your selection by pressing the SEL/RESET button.



ON is selected.

When your selection is successfully completed, the display shows “SETUP ON” or “SETUP OFF” for a few seconds, then goes back to the “CHG SETTING” display. Press the SEL/RESET button, then press the INFO button repeatedly to select another customizing mode.

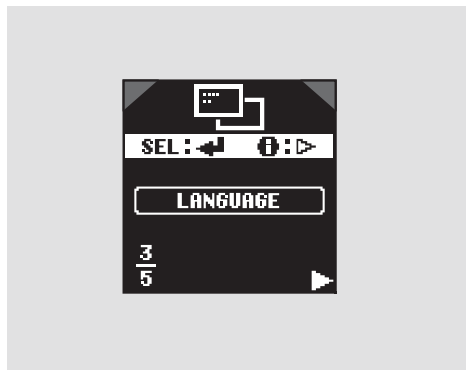
CONTINUED

Multi-Information Display

If you fail to enter your selection, you will see “INCOMPLETE” on the display for a few seconds. The display returns to the setting mode. Repeat the setup.

To exit the customizing mode, select the exit mode by pressing the INFO button repeatedly, then press the SEL/RESET button. The display goes back to the normal display.

Selecting Language



Press and hold the INFO button to enter the customizing mode, then press and release the INFO button to select “LANGUAGE.” While the multi-information display is showing “LANGUAGE,” press the SEL/RESET button. The display changes to the setting display.

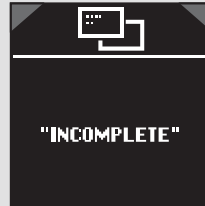


You can select any of the following languages: English, French, German, Spanish, Italian, Portuguese. Press and release the INFO button to select the language, then press the SEL/RESET button to enter the selection.

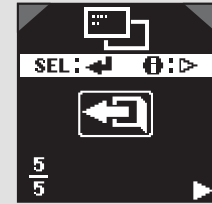


ENGLISH is selected.

When the language selection is successfully completed, the display changes to the screen shown above for a few seconds, then goes back to the "LANGUAGE" display. Press the INFO button repeatedly to select another customizing mode.



If you fail to set the language setting, you will see "INCOMPLETE" on the display for a few seconds. The display returns to the setting mode. Repeat the setup.



To exit the customizing mode, select the exit mode shown above by pressing the INFO button repeatedly, then press the SEL/RESET button. The display goes back to the normal display.

CONTINUED

Multi-Information Display

Default Settings



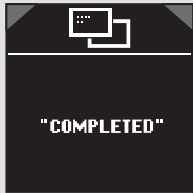
If you want to set the customizable vehicle control settings to the default setting, press the INFO button on the steering wheel repeatedly until “DEFAULT ALL” is displayed, then press the SEL/RESET button.



The display shows the selectable items. If you want to cancel “DEFAULT ALL,” select “CANCEL” by pressing the INFO button, then press and hold the SEL/RESET button for about 3 seconds to set. The display goes back to the normal display.



To set the default settings, select “OK” by pressing the INFO button, then press and hold the SEL/RESET button for about 3 seconds to set.



After the DEFAULT ALL operation is completed, you will see the above display for a few seconds, then the display switches to the language setting mode.



If the DEFAULT ALL operation is not successful, you will see the above display for a few seconds, then the display goes back to the setting display.

Multi-Information Display

The following are the default values for each customizable setting.

- The speed alarm function is off.
- The warning message function is off. Only the symbols are displayed on the multi-information display.
- Outside temperature display adjustment value is 0°C.

- Average fuel mileage for trip meter A is not reset on refueling.
- The elapsed time is reset with the ignition switch in the LOCK (0) position.
- Measurements in the trip computer correspond with the measurements selected with the mph to km/h change button (km/h or mph).

- Rev indicator is on.

On vehicles with i-SHIFT

In the automatic driving mode, the REV indicator goes out.

- ECO indicator is on.
- i-VTEC indicator is off.
- Displayed language is English.
- Default setting is selected.

Controls Near the Steering Wheel

Left-hand drive type

HEADLIGHTS/TURN SIGNALS/
REAR FOG LIGHT/
FRONT FOG LIGHTS*²
(P.140, 142, 143)

ENGINE START BUTTON
(P.318, 319, 320)

HEADLIGHT ADJUSTER
(P.146)

HANDS-FREE
TELEPHONE
SYSTEM
BUTTONS*²
(P.280)

VOICE CONTROL
BUTTONS*²

VSA OFF SWITCH
(P.342)

INSTRUMENT PANEL
BRIGHTNESS (P.144)

WINDSCREEN WIPERS/
WASHERS (P.137)

REAR WINDOW DEMISTER/
HEATED MIRROR
(P.145, 173)

HAZARD WARNING
BUTTON
(P.145)

CRUISE CONTROL
BUTTONS*²
(P.276)

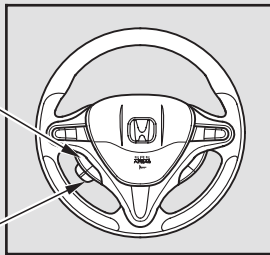
CIGARETTE LIGHTER
(P.182)

HORN*¹

MULTI-INFORMATION
BUTTONS
(P.90)

REMOTE AUDIO
CONTROLS*²
(P.269)

STEERING WHEEL
ADJUSTMENT
(P.147)



* 1 : To use the horn, press the centre pad of the steering wheel.

* 2 : If equipped

CONTINUED

Controls Near the Steering Wheel

Right-hand drive type

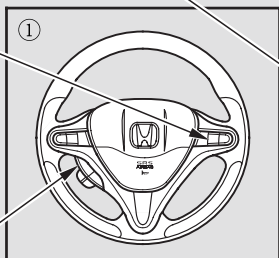
HAZARD WARNING BUTTON
(P.145)

REAR WINDOW DEMISTER/
HEATED MIRROR
(P.145, 173)

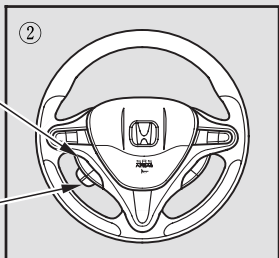
HEADLIGHTS/TURN SIGNALS/
REAR FOG LIGHT/
FRONT FOG LIGHTS *2
(P.140, 142, 143)

mph to km/h
CHANGE BUTTON
(P.85)

MULTI-INFORMATION
BUTTONS
(P.90)



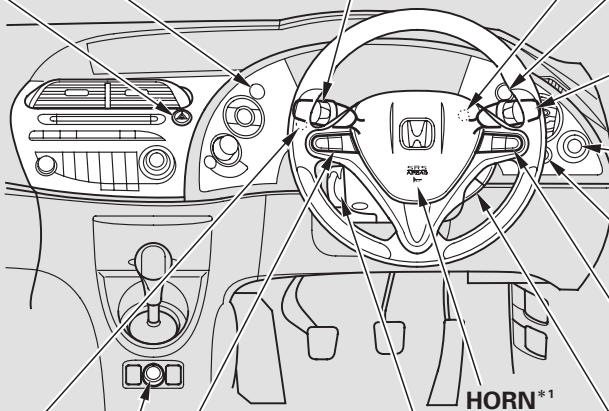
HANDS-FREE
TELEPHONE
SYSTEM
BUTTONS *2
(P.280)



VOICE CONTROL
BUTTONS *2

- ① Without cruise control
- ② With navigation system

INSTRUMENT PANEL
BRIGHTNESS
(P.144)



REMOTE AUDIO
CONTROLS *2
(P.269)

CIGARETTE LIGHTER (P.182)

STEERING WHEEL
ADJUSTMENT
(P.147)

HORN *1

VSA OFF SWITCH
(P.342)

WINDSCREEN
WIPERS/WASHERS
(P.137)

ENGINE START
BUTTON
(P.318, 319, 320)

HEADLIGHT
ADJUSTER
(P.146)

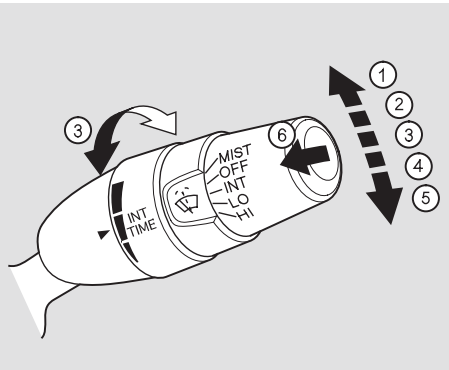
CRUISE CONTROL
BUTTONS *2
(P.276)

MULTI-INFORMATION
BUTTONS
(P.90)

* 1 : To use the horn, press the centre pad of the steering wheel.

* 2 : If equipped

Windscreen Wipers



1. MIST
2. OFF
3. INT – Intermittent (AUTO*)
4. LO – Low speed
5. HI – High speed
6. Windscreen washers

* : On vehicles with automatic intermittent wipers, see page 138.

Push the lever up or down to select a position.

MIST – The wipers run at high speed until you release the lever.

OFF – The wipers are not activated.

INT – The length of the wiper interval is varied automatically according to vehicle's speed.

Vary the delay by turning the INT TIME ring.

If you turn it to the shortest delay, the wipers will change to low speed operation when the vehicle speed exceeds 20 km/h (12 mph).

While the vehicle is stopped and in gear, the wipers sweep the windscreen whenever you remove your foot from the brake pedal.

LO – The wipers run at low speed.

HI – The wipers run at high speed.

Windscreen Washers – Pull the wiper control lever toward you, and hold it. The washers spray until you release the lever. The wipers run at low speed, then complete one more sweep after you release the lever.

Headlight Washer (For some types)

When you pull back on the wiper control lever with the headlight switch ON, the headlight washers and windscreen washers work at the same time.

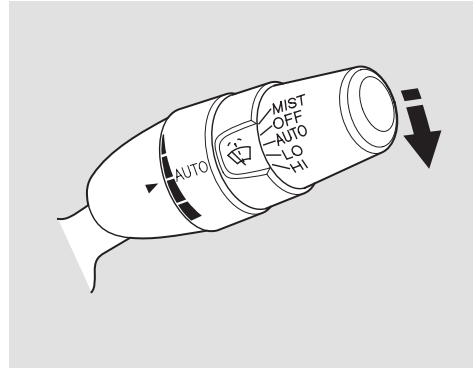
The headlight washers use the same fluid reservoir as the windscreen washers.

CONTINUED

Windscreen Wipers and Washers

Automatic Intermittent Wipers

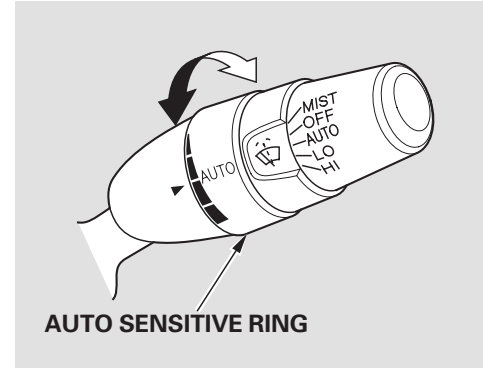
On some models



The automatic intermittent wiper system senses rainfall and automatically turns on the windscreen wipers. To enable sensing, push the lever down to select AUTO.

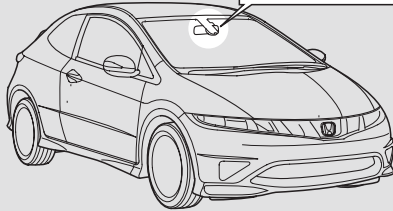
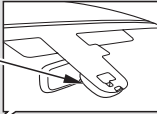
When the system senses rainfall, it turns on the windscreen wipers and varies their speed (intermittent, low speed, or high speed) depending on how hard it is raining. This function is available when the vehicle speed exceeds 10 km/h (6 mph).

When the wiper lever is in the “LO” (low speed) or “HI” (high speed) position, the windscreen wipers run at that speed. Automatic sensing is disabled.



You can adjust the sensitivity of the system by turning the AUTO sensitive ring on the wiper lever.

RAINFALL SENSOR

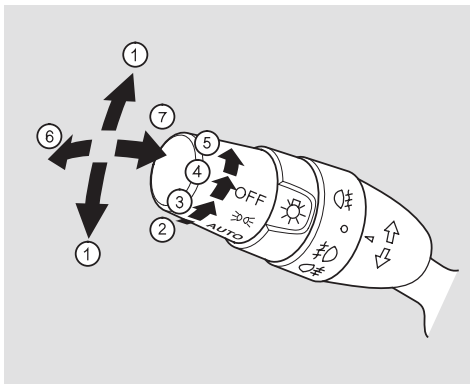


NOTICE

Do not position the wiper lever in AUTO when driving through a car wash. Turn off this system when not in use.

The rainfall sensor is located in the windscreen near the rearview mirror. If the sensor is covered with mud, oil, dust, etc., the wipers may not operate properly or may operate unexpectedly.

Turn Signals and Headlights



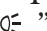
1. Turn signal
2. Off
3. Position and indicator lights
4. AUTO (on some models)
5. Headlights on
6. High beams
7. Flash high beams

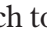
Turn Signal — Push down or up on the lever to signal a turn. To signal a lane change, push lightly on the lever in the proper direction and hold it. The lever will return to centre when you release it or complete a turn.


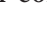
One-push Turn Signal


To signal a lane change easily, push the turn signal lever in the proper direction lightly and release it. The left or right turn signal indicator on the instrument panel and the appropriate outside turn signals will blink three times.

If you hold the turn signal lever, the turn signal continues to blink and will stop when you release it.

Headlights On — Turning the switch to the “” position turns on the position lights, tail-lights, instrument panel lights, and rear licence plate lights.

Turning the switch to the “” position turns on the headlights. If you leave the lights on with the key removed from the ignition switch, you will hear a reminder chime when you open the driver’s door.

When the light switch is in the “” or the “” position, the lights on indicator comes on as a reminder.

You will also see the symbol “,” or this symbol with a “HEADLIGHTS ON” message on the multi-information display.

High Beams — Push the lever forward until you hear a click to turn on the high beams. The blue high beam indicator will come on (see page 82). Pull the lever back to return to the low beams.

To flash the high beams, pull the lever back lightly, then release it. The high beams will stay on as long as you hold the lever back.


Daytime Running Lights (For some types)

The daytime running lights come on automatically when you turn the ignition switch to the ON (II) position. They go out automatically when the light switch is ON.

On some models


AUTO — The automatic lighting feature turns on the headlights, all other exterior lights, and the instrument panel lights when it senses low ambient light.

To turn on the automatic lighting, turn the light switch to AUTO at any time. The lights will come on automatically when the outside light level becomes low (at dusk, for example). The lights on indicator comes on as a reminder. The lights and indicator turn off automatically when the system senses high ambient light.

The lights turn off automatically when you turn the ignition switch to the LOCK (0) position. To turn them on again, either turn the ignition switch to the ON (II) position, or turn the light switch to  position.

Even with the automatic lighting feature turned on, we recommend that you turn on the lights manually when driving at night or in a dense fog, or when you enter dark areas such as long tunnels or parking facilities.

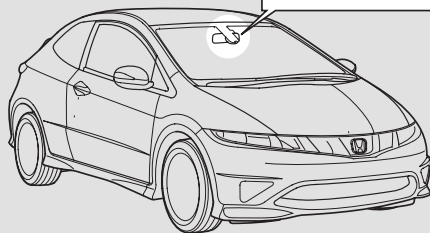
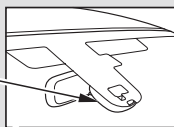
Do not leave the light switch in AUTO if you will not be driving the vehicle for an extended period (a week or more). You should also turn off the lights if you plan to leave the engine idling or the engine off for a long time.

If there is a problem with the control system, you will see the symbol “,” or the symbol with a “CHECK SYSTEM” message on the multi-information display. Have the vehicle checked by your dealer as soon as possible.

CONTINUED

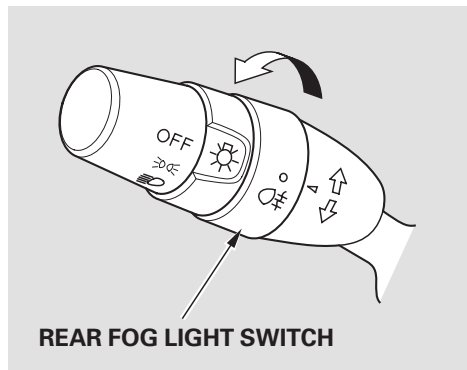
Headlights, Front and Rear Fog Lights


LIGHTING SENSOR




The automatic lighting feature is controlled by a sensor located on the windscreen near the rearview mirror. Do not cover this sensor or spill liquids on it.

Rear Fog Light (For some types)



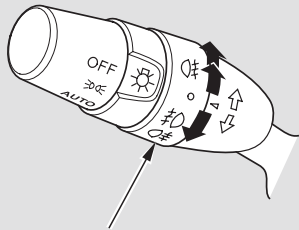
The rear fog light switch is located next to the light control switch. You can use the rear fog light when the headlights are on (the light control switch is in the  position).

To operate the rear fog light, turn the switch up from the off (•) position. The  indicator in the instrument panel comes on to indicate that the rear fog light is on.

You can turn off the rear fog light with the headlights on by turning the switch up again.

The rear fog light will go off when you turn the headlights off. To turn the rear fog light on again, you have to turn the rear fog light switch again with the headlights on.

Front and Rear Fog Lights (For some types)



FRONT AND REAR FOG LIGHT SWITCH

The fog light switch is located next to the light control switch. You can control the front fog lights with this switch when the light control switch is in the ☰D or ☱D position.

You can also use the rear fog light when the light control switch is in the ☱D position or the front fog lights are turned on.

To turn on the rear fog light only, turn the switch down from the off (\bullet) position. The ☱ indicator in the instrument panel comes on to indicate that the rear fog light is on.

You can turn off the rear fog light with the headlights on by turning the switch down again.

To operate the front fog lights, turn the switch up from the off (\bullet) position to the ☱D position. The ☱D indicator comes on as a reminder. To turn the rear fog light on with the front fog lights, turn the switch one position up from the ☱D position.

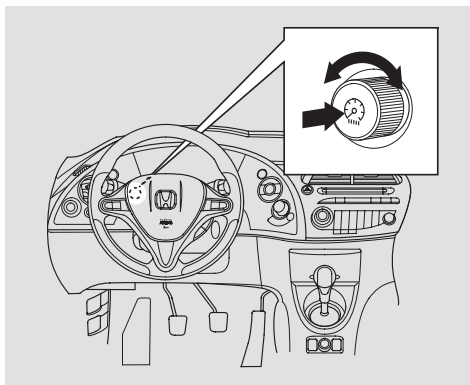
You can turn off the rear fog light with the front fog lights on by turning the switch up again.

The front and rear fog lights will go off when you turn the light control switch off. With only the rear fog light on, it will go off when you turn the headlights off.

When you turn the light control switch on again, the front fog lights will also turn on. To turn the fog lights completely off, turn the fog light switch down to the off (\bullet) position.

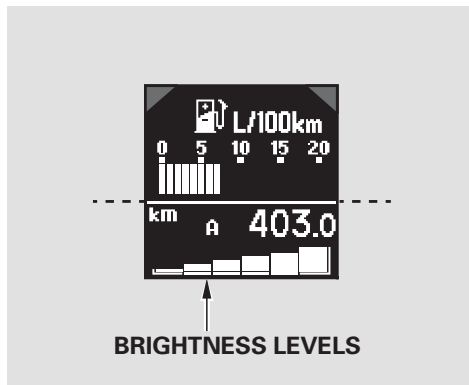
To turn the rear fog light on again, you have to turn the fog light switch again with the headlights on (☱D position) or the front fog lights on.

Instrument Panel Brightness



The knob on the instrument panel adjusts the brightness of the instrument panel. Push on the knob to pop it out, then turn it to adjust the brightness.

Push the knob back in to prevent your setting from accidentally changing.



The brightness can be shown within the six brightness levels on the multi-information display. When you turn the knob, the lower segment of the display changes to vertical bars that show you the current level. You will hear a tone when you reach the maximum or minimum brightness. The brightness level goes out about 5 seconds after you stop adjusting.

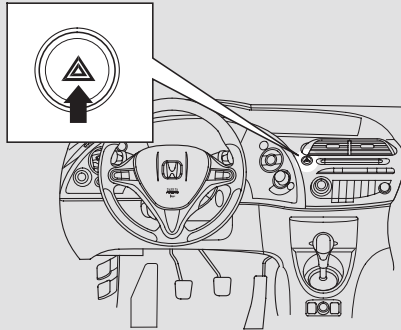
To reduce glare at night, the instrument panel illumination dims when you turn the light switch to the ∞ or D position.

You can adjust the brightness to the desired level with the headlight switch off, and also with the headlight switch on. Both settings will remain at those levels until you change them.

Each display (upper and lower) will illuminate with reduced brightness when you unlock and open the driver's door, then go to normal brightness when you turn the ignition switch to the ON (II) position.

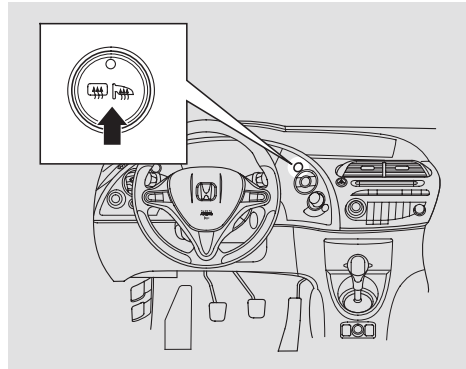
If you insert the key but do not turn the ignition switch to the ON (II) position, the illumination turns off after about 10 seconds.

Hazard Warning Button



Push the red button to turn on the hazard warning lights (four-way flashers). This causes all outside turn signals and both turn indicators in the instrument panel to flash. Use these lights to give a warning to other road users that your vehicle is causing a hazard.

Rear Window Demister



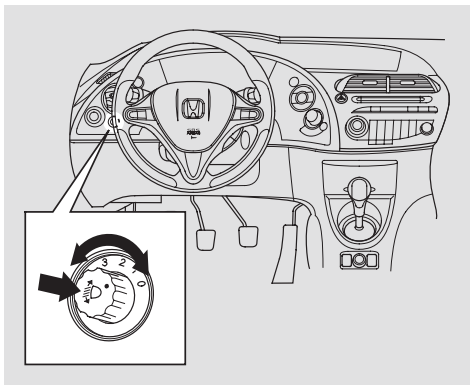
The rear window demister will clear fog, frost, and thin ice from the window. Turn the ignition switch to the ON (II) position. Push the demister button to turn it on and off. The indicator in the button comes on to show the demister is on. It also shuts off when you turn off the ignition switch. You have to turn the demister on again when you restart the vehicle.

Make sure the rear window is clear and you have good visibility before starting to drive.

The demister and antenna wires on the inside of the rear window can be accidentally damaged. When cleaning the glass, always wipe side-to-side.

Pushing the demister also turns the mirror heaters on and off. For more information, see page 173 .

Headlight Adjuster



The vertical angle of the headlights (low beam) can be adjusted according to the number of persons and the loading weight in the luggage area.

Push the knob to pop it out, then turn the knob to select an appropriate angle of the headlights. After adjusting, push the knob back in to prevent your setting from accidentally changing.

- 0: A driver or a driver and passenger in the front seat.
- 1: Five or four (Type-R model) persons in the front and rear seats.
- 2: Five or four (Type-R model) persons in the front and rear seats and luggage in the luggage area, within the limits of maximum permissible axle weight and maximum permissible vehicle weight.
- 3: A driver and luggage in the luggage area, within the limits of maximum permissible axle weight and maximum permissible vehicle weight.

(For some types)

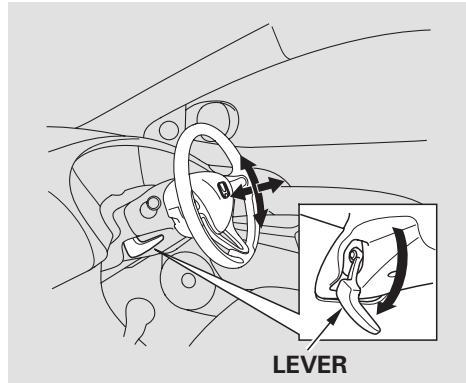
On vehicles with headlights bulbs of high voltage discharge tube
Your vehicle is equipped with an automatic headlight adjusting system that senses changes in the vehicle posture due to riding and loading conditions of the passengers and their luggage and adjusts the vertical angle of the headlights (low beam) automatically.

Make any steering wheel adjustments before you start driving.

⚠ WARNING

Adjusting the steering wheel position while driving may cause you to lose control of the vehicle and be seriously injured in a crash.

Adjust the steering wheel only when the vehicle is stopped.



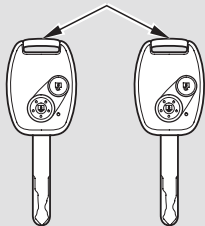
1. Push the lever under the steering column all the way down.
2. Move the steering wheel up or down, and in or out, so it points toward your chest, not toward your face. Make sure you can see the instrument panel gauges and indicators.

3. Push the lever up to lock the steering wheel in position.
4. Make sure you have securely locked the steering wheel in place by trying to move it up, down, in, and out.

KEY
NUMBER
TAG



IGNITION KEYS
WITH REMOTE
TRANSMITTER



You should have received a key number tag with your keys. You will need this key number if you ever have to get a lost key replaced. Use only Honda-approved key blanks.

Remote Transmitter

Your two ignition keys are also fitted with remote transmitters; see page 154 for an explanation of the operation.

These keys contain electronic circuits that are activated by the immobilizer system. They will not work to start the engine if the circuits are damaged.

- Protect the keys from direct sunlight, high temperature, and high humidity.
- Do not drop the keys or set heavy objects on them.
- Keep the keys away from liquids. If they get wet, dry them immediately with a soft cloth.

Two ignition keys come with your vehicle. You should keep one of them in a safe place, away from the vehicle, as a spare. They fit all the locks on your vehicle.

Immobilizer System

The immobilizer system protects your vehicle from theft. If an improperly-coded key (or other device) is used, the engine's fuel system is disabled.

When you turn the ignition switch to the ON (II) position, the immobilizer system indicator should come on briefly, then go off. If the indicator starts to blink, it means the system does not recognize the coding of the key. Turn the ignition switch to the LOCK (0) position, remove the key, reinsert it, and turn the ignition switch to the ON (II) position again.

The system may not recognize your key's coding if another immobilizer key or other metal object (i.e. key fob) is near the ignition switch when you insert the key.

If the system repeatedly does not recognize the coding of your key, contact your dealer.

Do not attempt to alter this system or add other devices to it. Electrical problems could result that may make your vehicle undrivable.

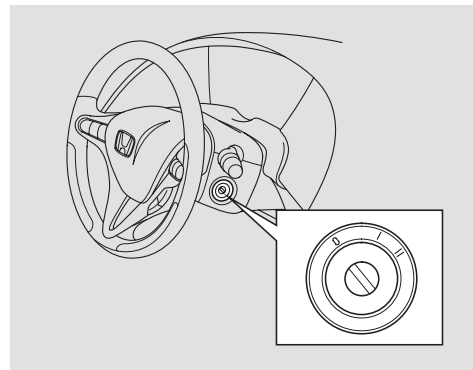
If you have lost your key and cannot start your engine, contact your dealer.

(EU models)
EC Directives

This immobilizer system complies with the R & TTE (Radio equipment and Telecommunications Terminal Equipment and the mutual recognition of their conformity) Directives.

C E 0523

Ignition Switch



The ignition switch has three positions: LOCK (0), ACCESSORY (I), and ON (II).

LOCK (0) – You can insert or remove the key only in this position. To turn the key, push it in slightly.

CONTINUED

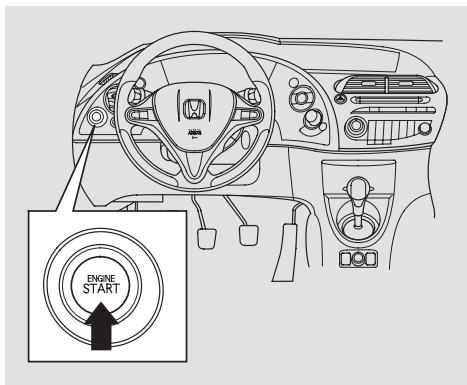
Ignition Switch

If the front wheels are turned, the anti-theft lock may make it difficult to turn the key. Firmly turn the steering wheel to the left or right as you turn the key.


ACCESSORY (I) — You can operate the audio system (on some types) and the cigarette lighter in this position.

ON (II) — This is the normal key position when driving. Several of the indicators on the instrument panel come on as a test when you turn the ignition switch from the ACCESSORY (I) to the ON (II) position.

On some types, the headlights come on automatically in this position.



The engine can be started with the key in this position by pressing the ENGINE START button (see page 318 on petrol models with manual transmission, page 319 on petrol models with i-SHIFT, and page 320 on diesel models).

You will hear a reminder beeper if you leave the key in the ignition switch in the LOCK (0) or the ACCESSORY (I) position and open the driver's door. You will also see the symbol “,” or the symbol with an “IGNITION KEY” message on the multi-information display. Remove the key to turn off the beeper and the warning symbol.

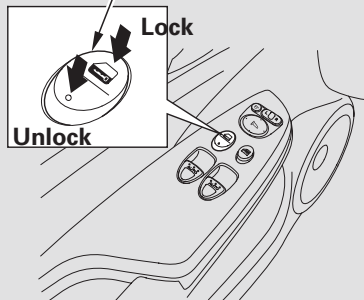
WARNING

Removing the key from the ignition switch while driving locks the steering. This can cause you to lose control of the vehicle.

Remove the key from the ignition switch only when parked.

Power Door Locks

MASTER DOOR LOCK SWITCH



To lock the doors and the tailgate, push the top of the master door lock switch on the driver's door, pull the lock tab rearward on the driver's door, or use the key on the outside lock on the driver's door.

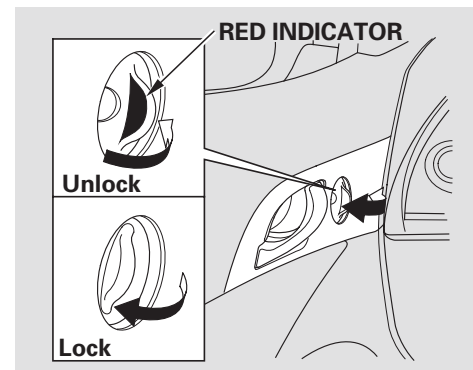
Pushing the bottom of the master door lock switch or pushing forward the lock tab on the driver's door will unlock both doors and the tailgate.

Both doors and the tailgate lock or unlock when you use the key to lock or unlock the driver's door.

On some types
Pushing the bottom of the master door lock switch will unlock all doors and the tailgate.

Only the driver's door unlocks when you use the driver's door lock tab.

To unlock the driver's door from the outside, turn the key and release it. If you turn it again, all doors and the tailgate unlock.



Each door has a lock tab next to the inner door handle. Pushing forward or rearward the lock tab on each passenger's door only locks and unlocks that door.

When the door is unlocked, you can see the red indicator on the lock tab next to the inner door handle.

CONTINUED

Door Locks

To lock the passenger's door when getting out of the vehicle, pull the lock tab rearward and close the door. To lock the driver's door, remove the key from the ignition switch, pull and hold the outside door handle, and pull the lock tab rearward or push the top of the master door lock switch, then close the door.

On vehicles with security system

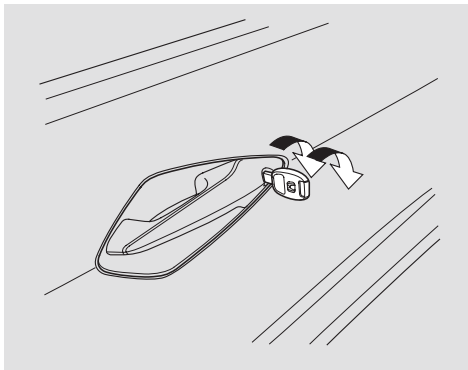
When you lock the doors and the tailgate with the key or the remote transmitter, all outside turn signals and both indicators in the instrument panel flash three times to verify the doors and the tailgate are locked and the security system has set (see page 273).

The security system activates after you lock the doors and the tailgate with the lock tab on the driver's door or the master door lock switch (see page 273).

Lockout Prevention

With the driver's door open and the key in the ignition, the master door lock switch is disabled. It is not disabled if the driver's door is closed. If you try to lock an open driver's door by pulling the lock tab rearward with the outside handle pulled, the tabs on all doors pop out.

Super Locking ***(For some types)***



The super locking helps to protect your vehicle and valuables from theft. To set the super locking, turn the key towards the front of the vehicle twice within 5 seconds.

The super locking will not set if either door or the tailgate is not fully closed. It will be set even if the bonnet, or either window is open.

With the super locking set, the master door lock switch on the driver's door and the lock tabs on both doors are disabled.

You can also set the super locking with the remote transmitter. To set it, push the LOCK button twice within 5 seconds (see page 155).

To cancel the super locking, unlock the driver's door with the key or the remote transmitter.

On vehicles with ultrasonic sensor
Only the remote transmitter can reset the security system. Unlocking the driver's door with the key activates the alarm.

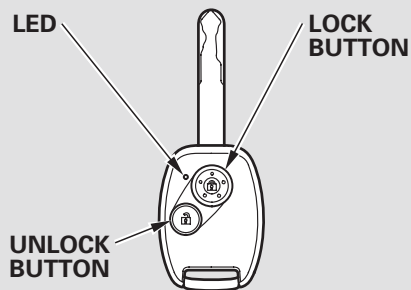
⚠ WARNING

If there are persons inside the vehicle with the super locking set, they cannot unlock the doors from the inside.

Make sure there is no person inside the vehicle before setting the super locking.

On vehicles with ultrasonic sensor
If you set the super locking with the windows open, the ultrasonic sensor may activate the alarm unexpectedly when the system senses strong vibrations on the vehicle or loud sound.

Remote Transmitter



LOCK — Press this button to lock both doors and the tailgate. When you push the LOCK button, all outside turn signals and both indicators in the instrument panel flash three times to verify the doors and the tailgate are locked and the security system (if equipped) has set. You cannot lock the doors and the tailgate if either door or the tailgate is not fully closed or the key is in the ignition switch.

UNLOCK — Press this button to unlock both doors and the tailgate. When you push the UNLOCK button, all outside turn signals, and both indicators in the instrument panel flash once.

On some types

Press this button once to unlock the driver's door. Push it twice to unlock the remaining doors and the tailgate.

The front ceiling light (if the light switch is in the Door position) and rear ceiling light (if the light switch is in the centre position) will come on when you press the UNLOCK button. If you do not open either door or the tailgate within 30 seconds, the lights fade out. If you relock the doors and tailgate with the remote transmitter before 30 seconds have elapsed, the lights will go off immediately.

If you do not open either door or the tailgate within 30 seconds, the doors and the tailgate automatically relock and the security system (if equipped) sets.

You cannot unlock the doors and the tailgate if the key is in the ignition switch.

Super Locking ***(For some types)***

You can set the super locking with the remote transmitter. To set the super locking, push the LOCK button twice within 5 seconds.

The super locking will not set if either door or the tailgate is not fully closed. It will be set even if the bonnet, or either window is open.

To cancel the super locking, push the UNLOCK button on the remote transmitter, or unlock the driver's door with the key.

See page 153 for information on the super locking.

⚠ WARNING

If there are persons inside the vehicle with the super locking set, they cannot unlock the doors from the inside.

Make sure there is no person inside the vehicle before setting the super locking.

Remote Transmitter Care

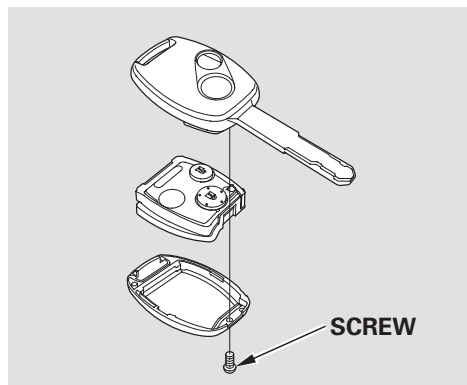
- Avoid dropping or throwing the transmitter.
- Protect the transmitter from extreme temperature.
- Do not immerse the transmitter in any liquid.
- If you lose a transmitter, the replacement needs to be reprogrammed by your dealer.

Remote Transmitter

Replacing the Transmitter Battery

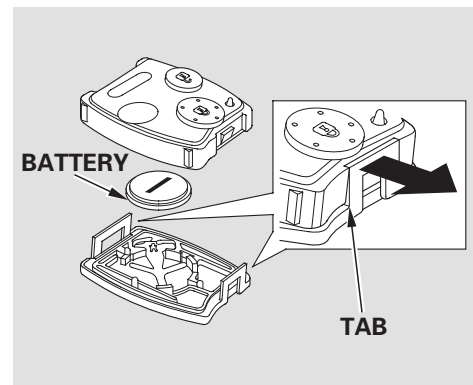
If it takes several pushes on the button to lock or unlock the doors and the tailgate, replace the battery as soon as possible.

Battery type: CR1616



To replace the battery:

1. Remove the screw at the base of the transmitter with a small Phillips-head screwdriver.
2. Separate the transmitter by prying its middle seam with your fingernail.



3. Inside the transmitter, separate the inner cover from the keypad by releasing the two tabs on the cover.

4. Remove the old battery from the back of the inner cover, and insert a new battery into the back of the cover with the + side facing down.
5. Install the parts in reverse order.

NOTICE

An improperly disposed of battery can hurt the environment.
Always confirm local regulations for battery disposal.

(EU models)

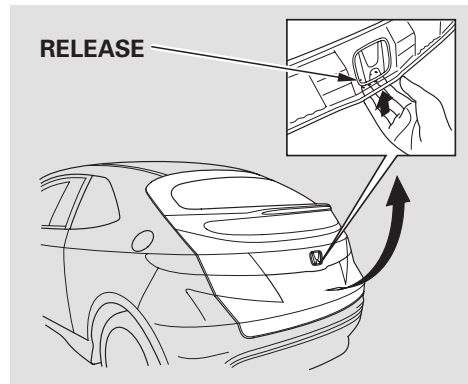
EC Directives

This keyless entry system complies with the R & TTE (Radio equipment and Telecommunications Terminal Equipment and the mutual recognition of their conformity) Directives.

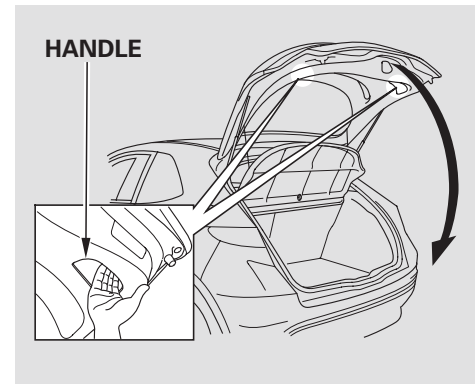
C **€** 0523

Tailgate

The tailgate will lock or unlock when you lock or unlock the driver's door with the key, the remote transmitter, the master door lock switch, or the lock tab on the driver's door.

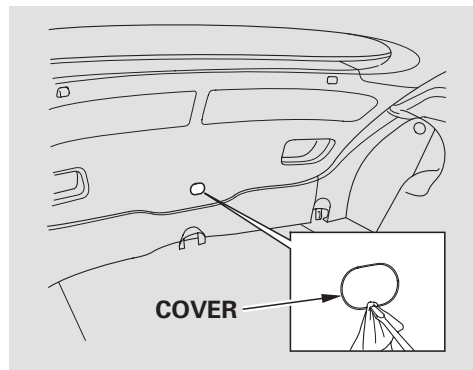


To open the tailgate, push the release, then lift up. To close the tailgate, use the inner handle to pull it down, then press down on the back edge.



Keep the tailgate closed at all times while driving to avoid damaging the tailgate and to prevent exhaust gas from getting into the interior. See **Carbon Monoxide Hazard** on page 65.

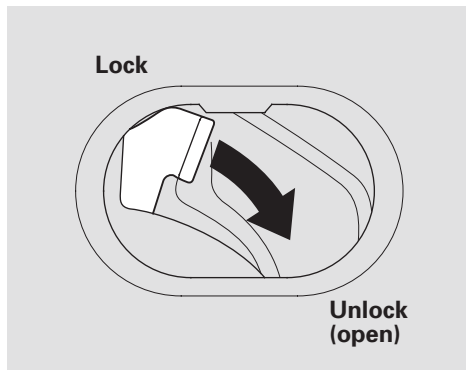
Opening the Tailgate Manually



If the power door lock system cannot unlock the tailgate, unlock it manually. In this case, you cannot open the tailgate with the release.

To open the tailgate, access the tailgate release lever from inside the vehicle.

Place a cloth on the edge of the cover, then use a small flat-tipped screwdriver to remove the cover on the back of the tailgate.



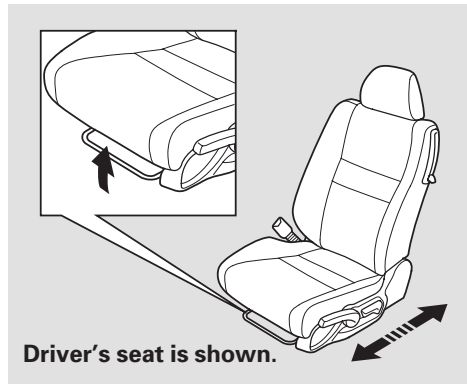
Push the release lever to the lower right as shown.

If you need to open the tailgate manually, it means there is a problem with the tailgate. Have the vehicle checked by your dealer.

Front Seat Adjustments

See pages 15 – 16 for important safety information and warnings about how to properly position the seats and seat-backs.

Make all seat adjustments before you start driving.



To adjust the seat forward or backward, pull up on the bar under the seat cushion's front edge. Move the seat to the desired position, and release the bar. Try to move the seat to make sure it is locked in position.



To change the seat-back angle, pull up on the lever on the outside of the seat cushion.

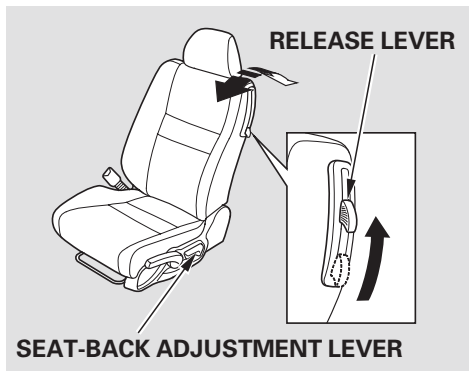
Once a seat is adjusted correctly, rock it back and forth to make sure it is locked in position.

Rear Seat Access

Driver's side



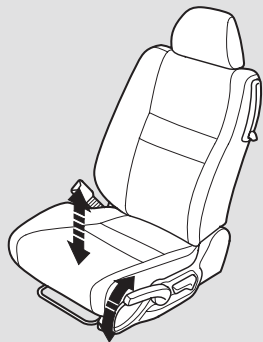
Passenger's side



To get into the back seat on the driver's side and passenger's side, pull the release lever up on the side of the seat-back or pull up on the seat-back adjustment lever. The seat-back will tilt and slide forward to allow easier entry to the back seat.

After a passenger gets into the back seat, push the seat-back to return the seat. You may need to re-adjust the seat-back angle and forward back position before sitting in the front seat. Make sure the seat is fully latched before sitting in it.

Driver's Seat Height Adjustment



The height of your driver's seat is adjustable. To raise the seat, repeatedly pull up the lever on the outside of the seat cushion. To lower the seat, push the lever down repeatedly.

Make sure to pull the lever upward or downward to its full range.

Make all seat adjustments before you start driving.

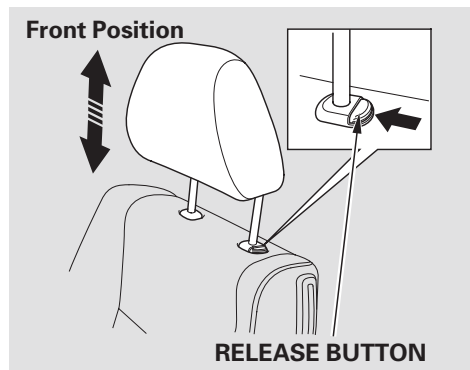
Head Restraints

See page 16 for important safety information and a warning about how to properly position the head restraints.

Your vehicle is equipped with head restraints in all seating positions to help protect you and your passengers from whiplash and other injuries.

They are most effective when you adjust them so the back of the occupant's head rests against the centre of the restraint.

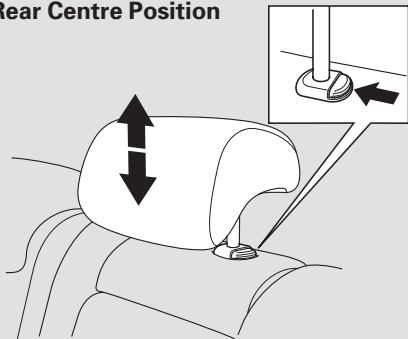
Except for Type-R model



The head restraints adjust for height. You need both hands to adjust the restraint. Do not attempt to adjust it while driving. To raise it, pull upward. To lower the restraint, push the release button sideways, and push the restraint down.

Except for Type-R model

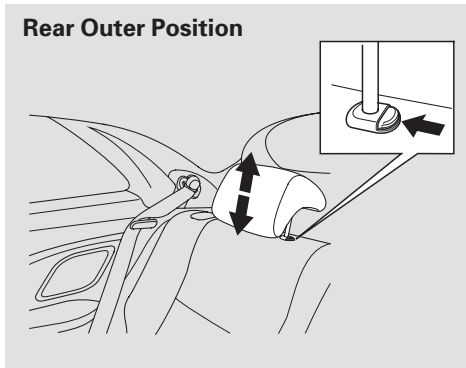
Rear Centre Position



When carrying a passenger in the rear centre seating position, make sure the rear centre head restraint is adjusted to its highest position.

On all models

Rear Outer Position

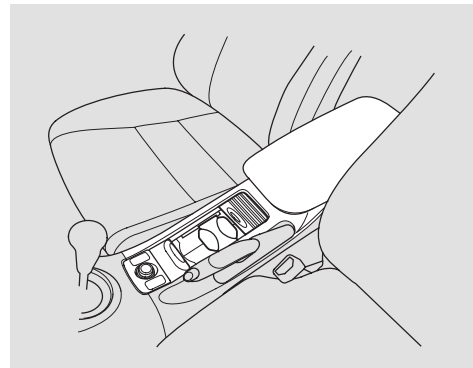


To remove a head restraint for folding down the rear seat, cleaning or repair, pull it up as far as it will go. Push the release button and pull the restraint out of the seat-back.

⚠ WARNING

Always replace the rear head restraints when the seat-backs are returned to upright position.

Armrest



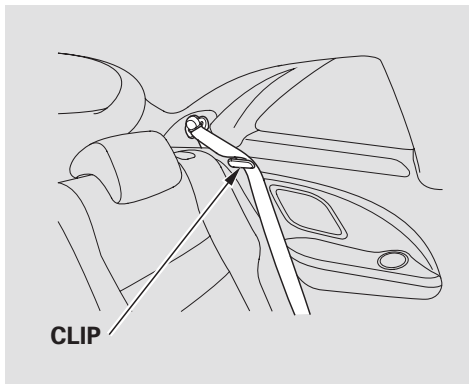
The lid of the console compartment can be used as an armrest.

Folding the Rear Seats

The left and right rear seat-backs can be folded down separately to make more luggage space.

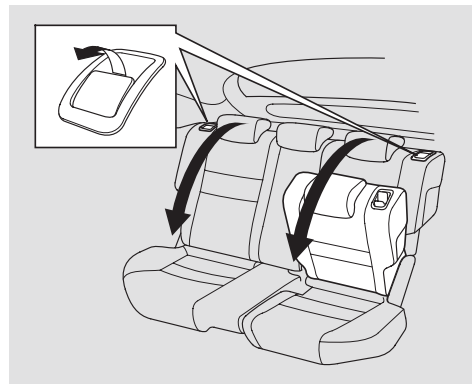
With only half the seat-back folded, you can carry only one passenger in the rear outer seating position. You cannot use the seat belt properly on the rear centre seating position (on some models) in this case.

Remove any items from the seat before you fold down the seat-back.



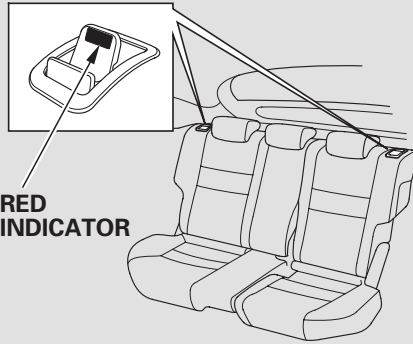
Make sure that there are no items on the passenger compartment floor before you fold down the seat-back.

1. Put the outer shoulder belt in the clip on each side.
2. Lower the head restraint to its lowest position.



3. Pull up on the release lever on the outside of the seat-back.
4. Fold the seat back forward.

Do not put any heavy items on the seat-back when it is folded down.



Reverse this procedure to return the seat-back to the upright position. Tug on the seat-back to make sure it is latched. If the seat-back is not latched fully, the seat belt will not work properly and you will see the red indicator behind the release lever as shown.

⚠ WARNING

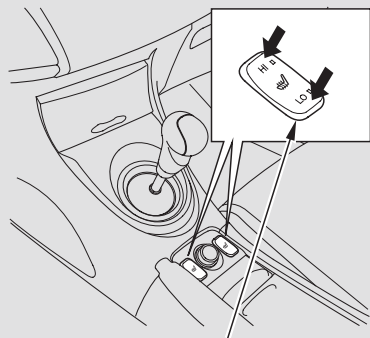
Always replace the rear head restraints when the seat-backs are returned to upright position.

⚠ WARNING

Make sure the seat-backs are latched securely before driving.

Make sure all items in the luggage area are secured. Loose items can fly forward and cause injury if you have to brake hard (See **Carrying Luggage** on page 310).

Seat Heaters (For some types)



SEAT HEATER SWITCHES

Both front seats are equipped with seat heaters. The ignition switch must be in the ON (II) position to use the heaters.

Push the front of the switch, HI, to rapidly heat up the seat. After the seat reaches a comfortable temperature, select LO by pushing the back of the switch. This will keep the seat warm.

In the HI setting, the heater turns off when the seat gets warm, and turns back on after the seat's temperature drops.

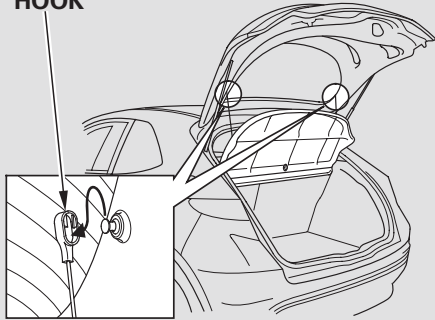
In the LO setting, the heater runs continuously. It does not cycle with temperature changes.

Follow these precautions whenever you use the seat heaters:

- Use the HI setting only to heat the seats quickly, because it draws large amounts of current from the battery.
- If the engine is left idling for an extended period, do not use the seat heaters, even on the LO setting. It can weaken the battery, causing hard starting.

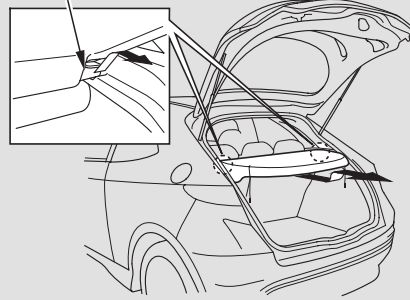
Luggage Area Cover (For some types)

HOOK



The luggage area cover can be removed to give you more luggage height.

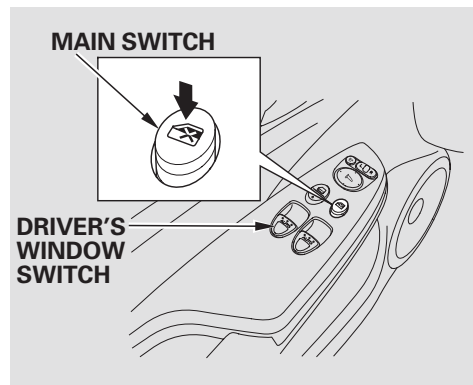
MOUNTING ROD



To remove the cover, take off the hooks from the tailgate, slide the cover towards the rear, then lift it straight up.

To install the cover, set the mounting rods to the recesses and slide the cover towards the front until it clips into place. Make sure it is securely latched so it will not come loose while you are driving.

Lower the tailgate and put the hooks back in place.



Turn the ignition switch to the ON (II) position to raise or lower either window. To open the window, push the switch down and hold it. Release the switch when you want the window to stop. Pull back on the switch and hold it to close the window.

⚠ WARNING

Closing a power window on someone's hands or fingers can cause serious injury.

Make sure your passengers are away from the windows before closing them.

WARNING: *Always take the ignition key with you whenever you leave the vehicle alone (with other occupants).*

The driver's door armrest has a master power window control panel. To open the front passenger's window, push down on the switch and hold it down until the window reaches the desired position. To close the window, pull back on the window switch. Release the switch when the window gets to the position you want.

AUTO — To open the driver's or the front passenger's window fully, push the window switch firmly down, then release it. The window automatically goes down all the way. To stop the window from going all the way down, pull back on the window switch briefly.

To close the driver's or the front passenger's window fully, pull back the window switch firmly, then release it. The window automatically goes all the way up. To stop the window from going all the way up, push down on the window switch briefly.

To open or close the driver's or the front passenger's window partially, push down or pull back on the window switch lightly and hold it. The window will stop when you release the switch.

The indicator in the AUTO switch comes on when you turn the ignition switch to the ON (II) position.

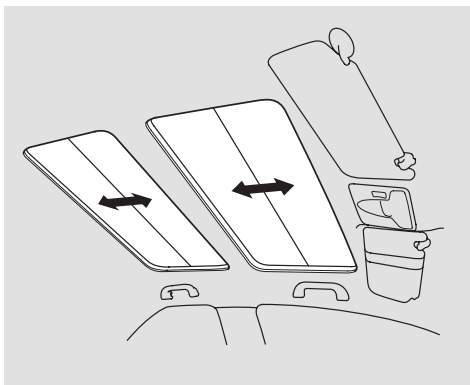
When you push the MAIN switch in, the switch is OFF, and the passenger's window cannot be raised or lowered. To cancel this feature, push on the switch again to get it to pop out. Keep the MAIN switch off when you have children in the vehicle so they do not injure themselves by operating the window unintentionally.

AUTO REVERSE — If either of the front windows runs into any obstacle while it is closing automatically, it will stop, and then reverse direction. To close the window, remove the obstacle, then use the window switch again.

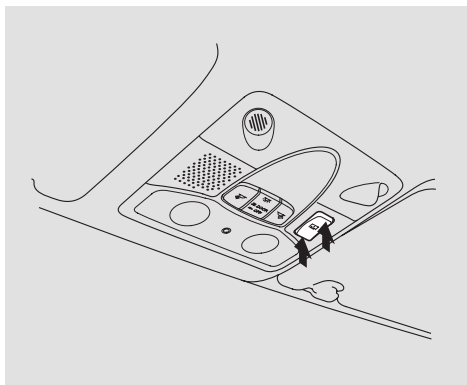
Auto reverse stops sensing when the window is almost closed. You should always check that all passengers and objects are away from the window before closing it.

The power windows have a key-off delay. You can still open and close the windows for up to 10 minutes or 45 seconds (on some types) after you turn off the ignition switch. The key-off delay cancels as soon as you open either front door. You must then turn the ignition switch to the ON (II) position for the power windows to operate.

Sunshades (For some types)



Both of the front and rear sunshades can be opened. The front sunshade is rolled up in the centre holder from front to rear, and the rear sunshade from rear to front at the same time. Use the switch on the front ceiling to operate the sunshades. You must turn the ignition switch to the ON (II) position to operate the sunshades.



To open the sunshades, push on the rear of the switch and hold it. Release the switch when the sunshades reach the desired position. Push on the front of the switch and hold it to close them. Release the switch to stop the operation.

⚠ WARNING

Opening or closing the sunshade on someone's hands or fingers may cause injury.

Make sure all hands and fingers are clear of the sunshade before opening or closing it.

WARNING: *Always take the ignition key with you whenever you leave the vehicle alone (with other occupants).*

AUTO — To open the sunshades fully, push on the rear of the switch firmly, then release it. The sunshades automatically open all the way. To stop the sunshades from opening, push on the switch briefly.

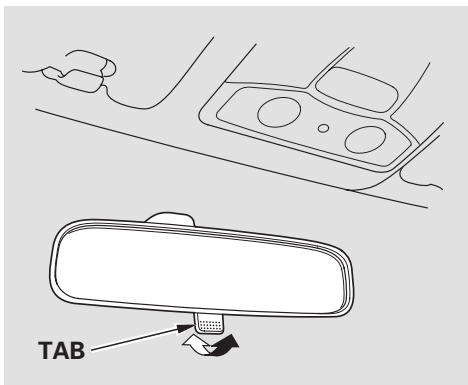
To close the sunshade fully, push on the front of the switch firmly, then release it. The sunshades automatically close all the way. To stop the sunshades from closing, push on the switch briefly.

To open or close the sunshades partially, push on the rear or front of the sunshade switch lightly and hold it. The sunshade will stop when you release the switch.

AUTO REVERSE — If either of the front and rear sunshades runs into any obstacle while they are closing automatically, each sunshade will reverse direction and then stop. To close the sunshades, remove the obstacle, then use the sunshade switch again.

Auto reverse stops sensing when each sunshade is almost closed. You should always check that all passengers and objects are away from the sunshades before closing them.

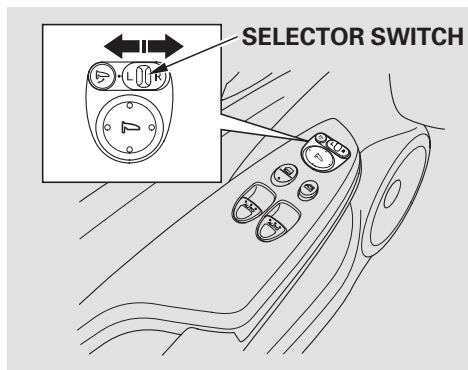
The sunshades have a key-off delay. You can still open and close the sunshades for up to 10 minutes after you turn off the ignition switch. The key-off delay cancels as soon as you open either front door.



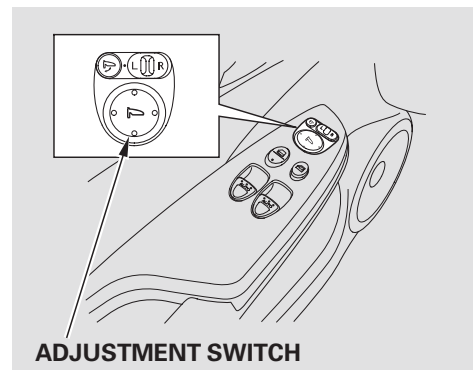
Keep the inside and outside mirrors clean and adjusted for best visibility. Be sure to adjust the mirrors before you start driving.

The inside mirror has day and night positions. The night position reduces glare from headlights behind you. Flip the tab on the bottom edge of the mirror to select the day or night position.

Adjusting the Power Mirrors

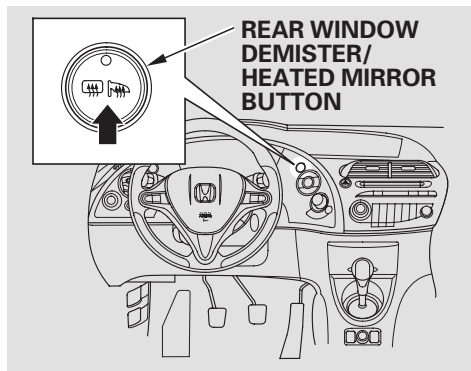


1. Turn the ignition switch to the ON (II) position.
2. Move the selector switch to L (left side) or R (right side).



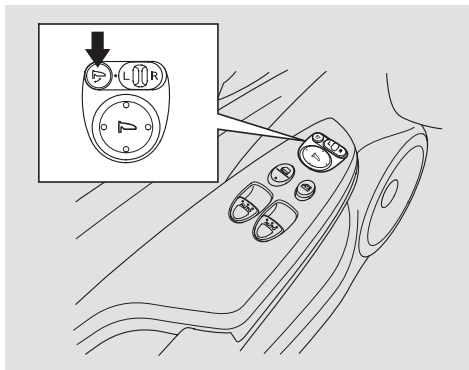
3. Push the appropriate edge of the adjustment switch to move the mirror right, left, up, or down.
4. When you finish, move the selector switch to the centre (off) position. This turns off the adjustment switch to keep your settings.

Power Mirror Heaters



The outside mirrors are heated to remove fog and frost. With the ignition switch in the ON (II) position, turn on the heaters by pressing the rear window demister button. The indicator in the button comes on as a reminder. Press the button again to turn the heaters and the demister off.

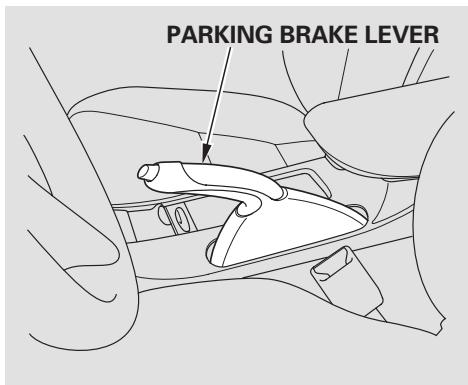
Folding Door Mirrors (On some models)



Door mirrors can be folded by the folding switch next to the main switch, which enables you to park your vehicle in a limited parking space easily. Make sure you fold out the mirrors before you start driving. With the ignition switch in the ON (II) position, press the folding switch to fold up both outside mirrors simultaneously. To fold out, press the switch again.


Never drive your vehicle with the outside mirrors folded.

Parking Brake

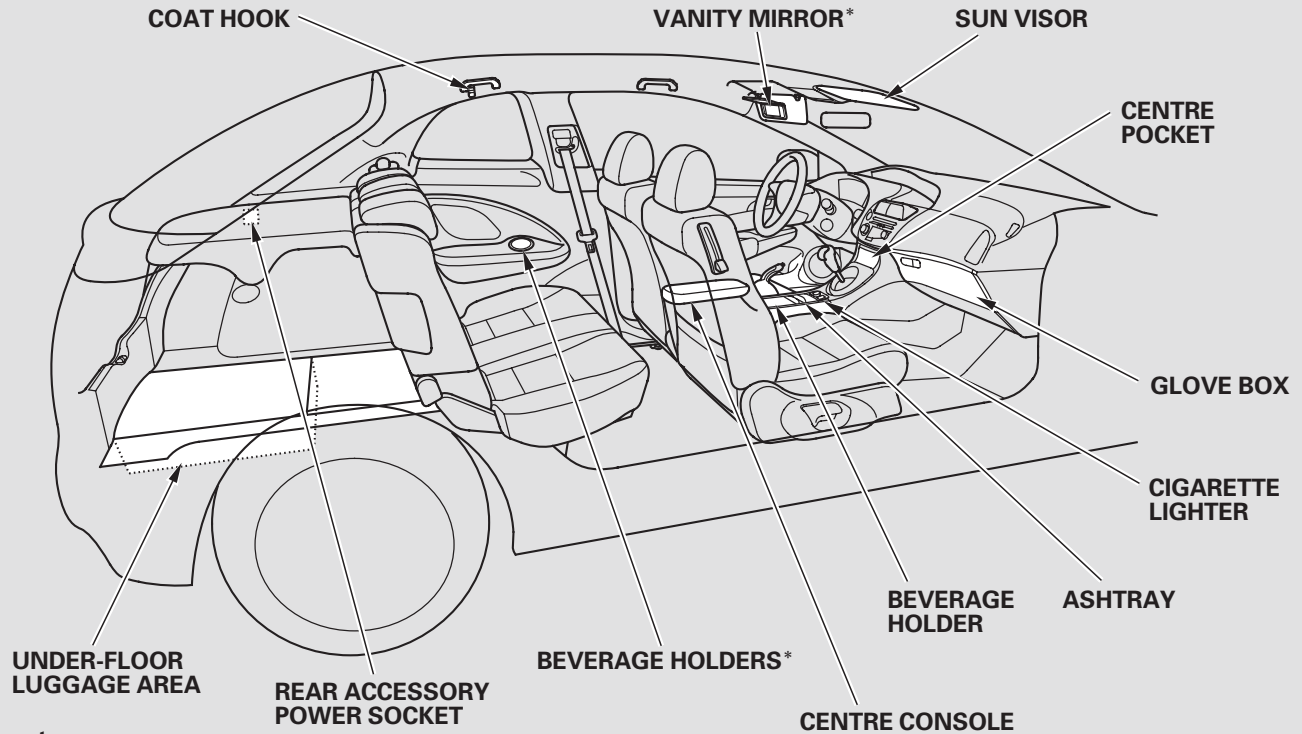


NOTICE

Driving the vehicle with the parking brake applied can damage the rear brakes and axles. A beeper will sound if the vehicle is driven with the parking brake on.

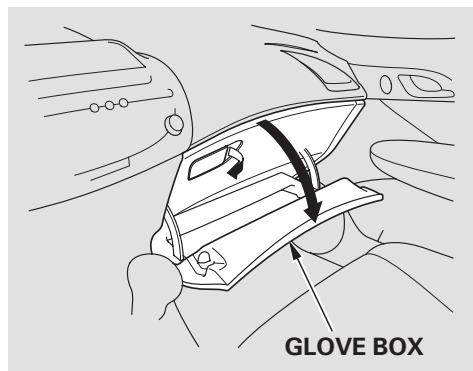
You will also see the symbol “,” or this symbol with a “RELEASE PARKING BRAKE” message on the multi-information display.

To apply the parking brake, pull the lever up fully. To release it, pull up slightly, push the button, and lower the lever. The parking brake indicator on the instrument panel should go out when the parking brake is fully released (see page 77).



* : For some types

Glove Box



Open the glove box by pulling the handle to the centre console side. Close it with a firm push.



The glove box light comes on only when the position lights are on.

⚠ WARNING

An open glove box can cause serious injury to your passenger in a crash, even if the passenger is wearing the seat belt.

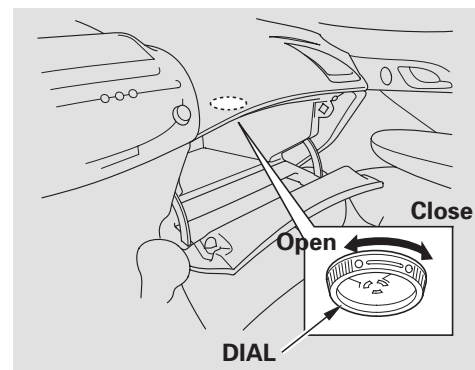
Always keep the glove box closed while driving.

Cool Box (On some models)

You can store beverage bottles and cans in the glove box, and keep them cool with the air conditioning system. To keep the inside of the glove box cool, open the glove box, then open the air vent on the upper side by turning the dial anticlockwise. Turn on the air conditioning (see pages 200 and 206), and set the mode control to “  ” or “  ” position.

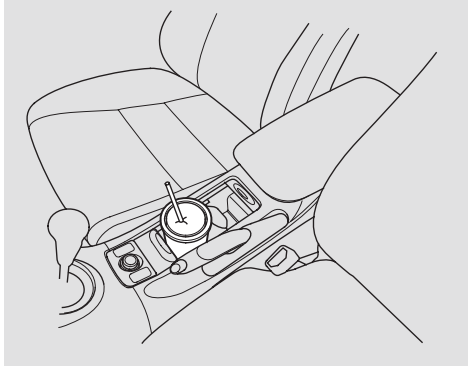
The cool air is diverted from the air

conditioning system into the glove box through the air vent.



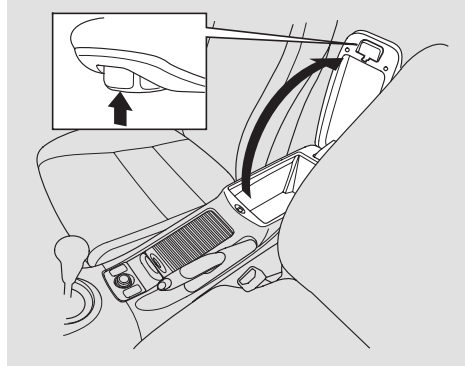
Use only resealable containers or keep unopened cans in the glove box. Spilled liquids can damage the upholstery and electrical components in the glove box and inside the dashboard. Make sure to close the air vent by turning the dial clockwise when it is not used. If you use the heating, the warmed air is diverted into the glove box with the air vent opened.

Centre Console



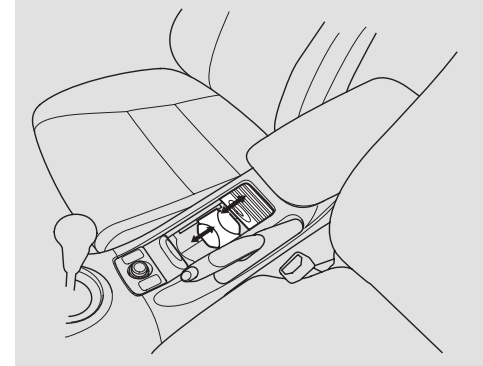
Your vehicle has a multi-function centre console. It includes beverage holders, storage compartments, an armrest, a cigarette lighter, a removable ashtray, and seat heaters (if equipped).

Console Compartments



The centre console main compartment is under the armrest. To use it, pull up on the lever and lift up the armrest.

The centre lower console compartment can be used for the beverage holders or as a storage space. To open the compartment, slide the lid backward.



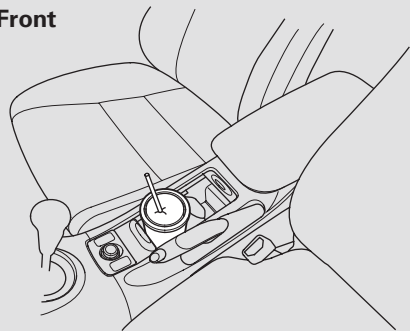
There is a partition in the compartment. Slide it backward to use the compartment as a storage space. You can also remove the ashtray by pulling it straight up to extend the compartment.

To close the compartment, slide the lid forward.

Interior Convenience Items

Beverage Holders

Front

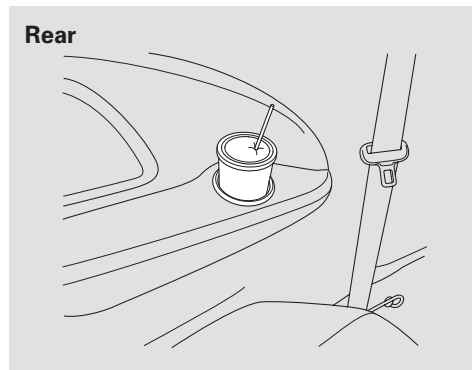


The front beverage holder is in the centre console compartment. To use the beverage holder, slide the lid backward, and move the partition forward until it stops.

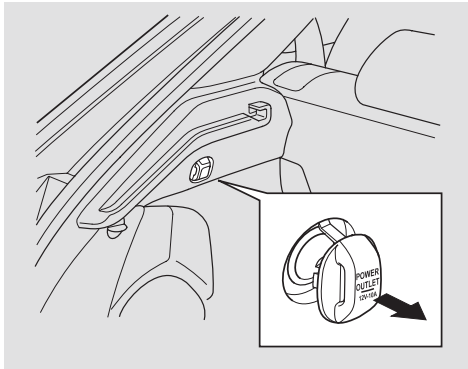
Be careful when you are using the beverage holders. A spilled liquid that is very hot can scald you or your passengers. Spilled liquids can damage the upholstery, carpeting, and electrical components in the interior.

If equipped

Rear



Accessory Power Socket



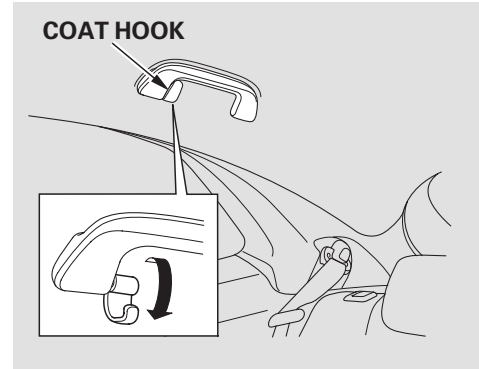
Your vehicle has an accessory power socket on the left side in the luggage area. This socket is intended to supply power for 12 volt DC accessories that are rated 120 watts or less (10 amps).

To use it, the ignition switch must be in the ACCESSORY (I) or the ON (II) position. It will not power an automotive type cigarette lighter element.

It is recommended that this accessory socket is used for genuine Honda accessories.

Make sure to put the socket cover back in place to prevent any small foreign objects getting into the socket.

Coat Hook

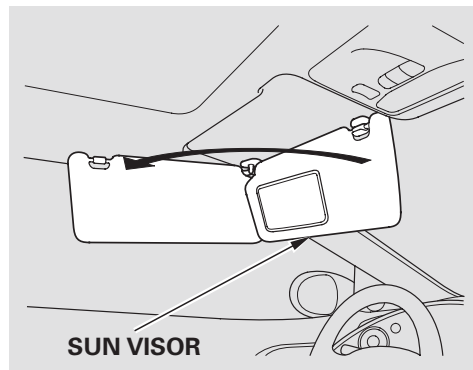


To use a coat hook, slide it out slightly, then pull it down.

Make sure the coat hook is pulled up when you are not using it. This hook is not designed for large or heavy items.

Interior Convenience Items

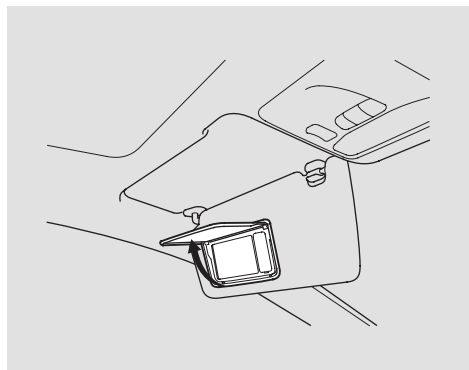
Sun Visor



To use the sun visor, pull it down. You can also use the sun visor at the side window. Remove the support rod from the clip and swing the sun visor toward the side window.

Make sure you put the sun visor back in place when you are getting into or out of the vehicle.

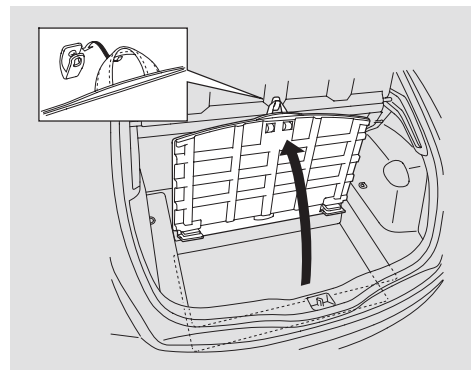
Vanity Mirror



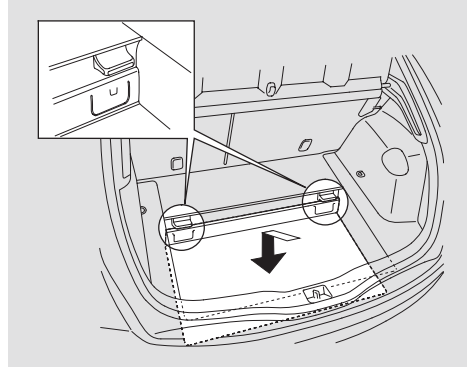
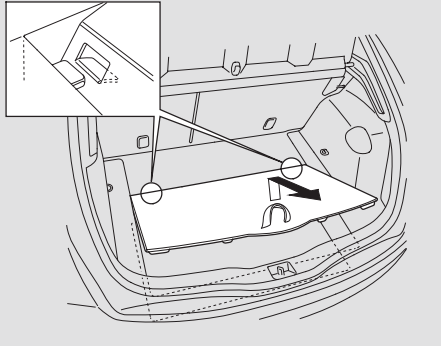
To use the vanity mirror on the back of the sun visor, pull up the cover.

On some models
The light beside the mirror comes on when you pull up the cover.

Under-floor Storage Area

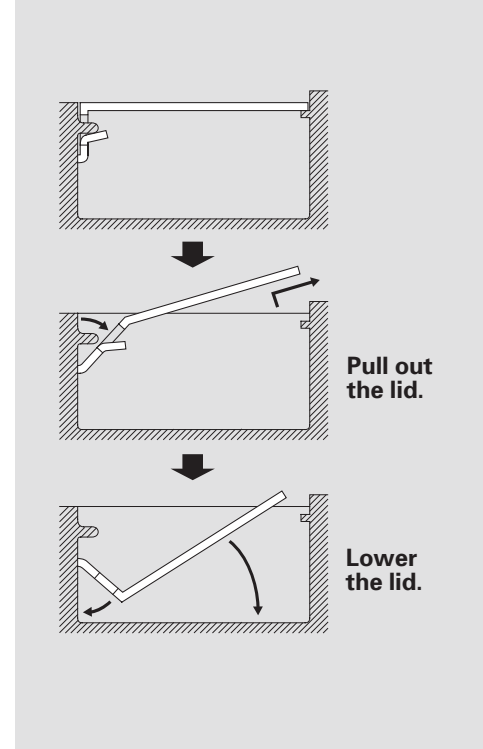


On vehicles without spare tyre
There is a storage area under the floor in the luggage area. To keep the lid open, hook the strap to the anchor on the back of the luggage area cover (if equipped).



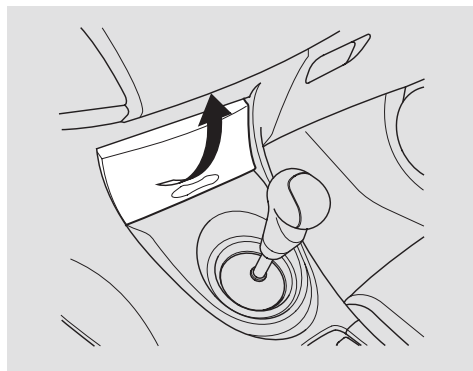
You can also lower this lid to the bottom of the storage area to extend the luggage space. Open the lid, pull it toward you fully to disengage the lid from the support rods, then lower the lid on the bottom of the storage area.

To lower the lid:



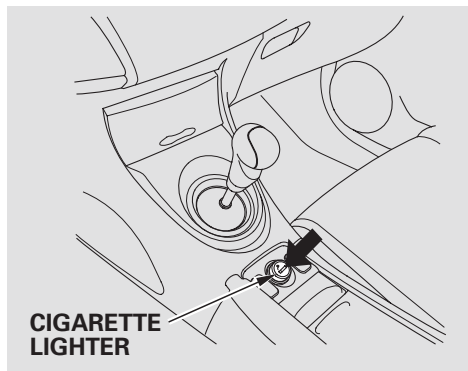
Interior Convenience Items

Centre Pocket



To open the centre pocket, pull up the lid.

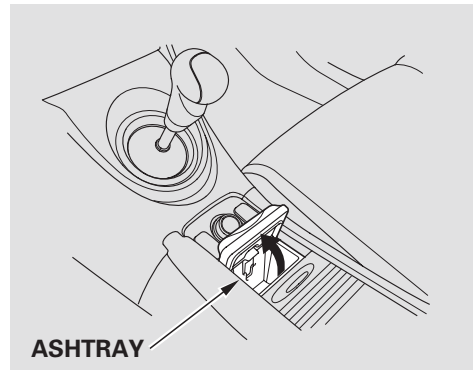
Cigarette Lighter



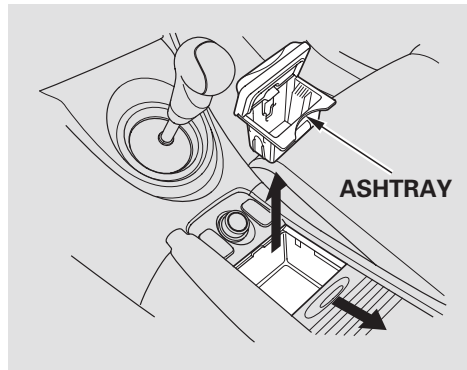
The ignition switch must be in the ACCESSORY (I) or the ON (II) position for the cigarette lighter to work. To heat up the lighter, push it in. It will pop out when it is ready for use. Do not hold the lighter in while it is heating up, you could cause it to overheat.

If you push in the cigarette lighter without the ignition switch in the ACCESSORY (I) or the ON (II) position, it will not pop out. To return the cigarette lighter in place, you must turn the ignition switch on. Do not try to pull it out forcibly.

Ashtray



Open the front ashtray by lifting the lid up. To remove the ashtray for emptying or making the compartment bigger, open the console compartment by sliding the lid backwards, then lift the ashtray straight up.

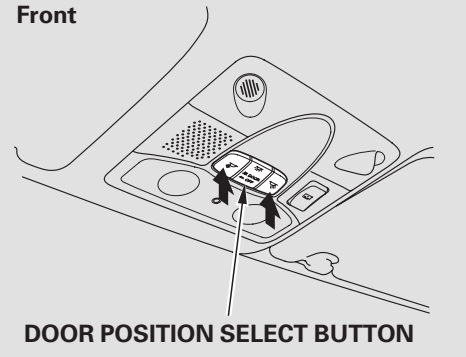


NOTICE

Use the ashtray only for cigarettes, cigars, and other smoking materials. To prevent a possible fire and damage to your vehicle, don't put paper or other things that can burn in the ashtray.

Ceiling Lights

Front

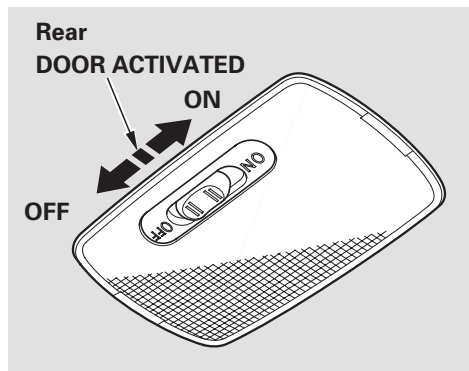


The front ceiling light has a two-position switch. In the DOOR position, the light comes on when you open either door. In the OFF position, the light does not come on. To select the door position, push the button to pop it out. The front ceiling light also contains two spotlights. Push the button next to the light to turn it on and off. You can use the spotlights at all times.

CONTINUED

Interior Lights

The front ceiling light (with the switch in the DOOR position) also comes on when you unlock the door with the key or the remote transmitter, and when you remove the key from the ignition switch.



The rear ceiling light has a three-position switch; ON, Door Activated, and OFF. In the Door Activated (centre) position, the light comes on when you:

- Open either door.
- Remove the key from the ignition switch. If you do not open a door, the light fades out in about 30 seconds.
- Unlock the doors and the tailgate with the key or remote transmitter.

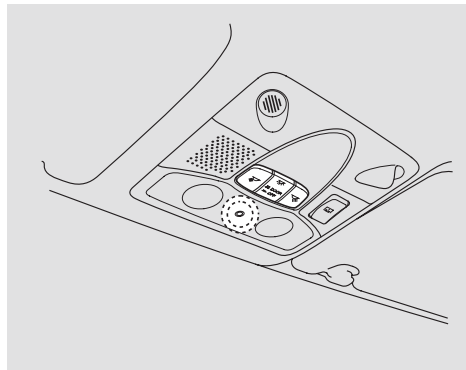
After both doors are closed tightly, the front and rear ceiling lights dim slightly, then fade out in about 30 seconds.

If you leave either door open without the key in the ignition switch, the ceiling lights will go off after 3 minutes.

Ignition Switch Light

The ignition switch light comes on when you open either door, and fades out in about 30 seconds after you close the door.

Courtesy Light



If equipped

The courtesy light between the sun visors comes on when you turn the position lights on. To adjust its brightness, turn the instrument panel brightness control knob on the dashboard (see page144).

The climate control system* in your vehicle provides a comfortable driving environment in all weather conditions.

*Climate control system is standard on some models.

The standard audio system on some models has many features. This section describes those features and how to use them.

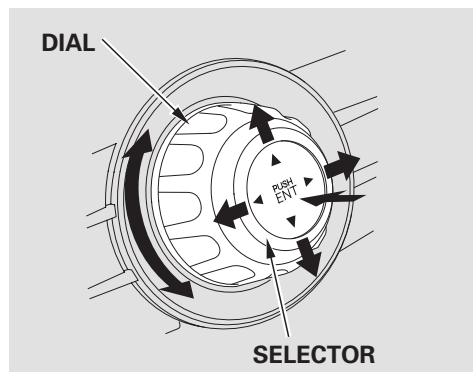
(For some types)

The security system helps to discourage vandalism and theft of your vehicle.

- Interface Dial..... 188
- Vents and Heating 189
- Climate Control System..... 195
 - Sunlight and Temperature Sensors..... 211
- Audio System 212
- Audio System (on vehicles without navigation system) 213
- Audio System (on vehicles with navigation system) 238
- Protecting Your Discs..... 268
- Remote Audio Controls..... 269
- Setting the Clock 270
- Security System 273
- Cruise Control..... 276
- Hands-Free Telephone System.... 279

Interface Dial

On vehicles with navigation system only



This dial consists of an upper part (selector) and a lower part (dial). Turn the dial left or right to select or scroll through a list or item(s) on the screen and adjust the level or condition. Push the selector to the left, right, up, and down to scroll through and select a list or item(s). The selected item will be highlighted on the screen. To confirm the item or enter the setting, push on the centre of the selector (ENTER).

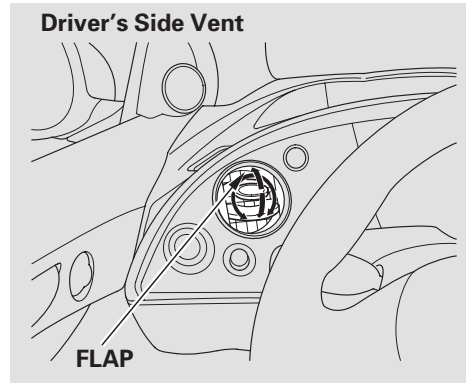
Your vehicle has the interface dial on the dashboard to operate the climate control system, audio system and navigation system. Most functions of these systems can also be controlled with the appropriate buttons, dials, and knobs on the dashboard, but some functions can be accessed or selected with the interface dial only. For more information, refer to each system's appropriate section.

On vehicles without air conditioning

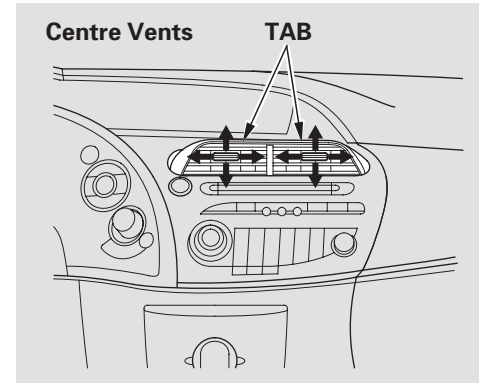
Proper use of the heating and airflow control system can make the interior comfortable, and keep the windows clear for the best visibility.

The engine must be running for the heater to generate hot air.

If your vehicle does not have air conditioning, it can be installed at any time. Your dealer can install a genuine Honda climate control system that meets Honda's high quality standards and is designed to exactly fit your vehicle. Please contact your dealer for more information.



The driver's side vent can be opened and closed with the upper and lower flaps. To open it, push in the flap as shown. To close the vent, push the bottom of either flap. To adjust the airflow from the vent, push in the flap to open it, then move the flap up-and-down and rotate the vent.



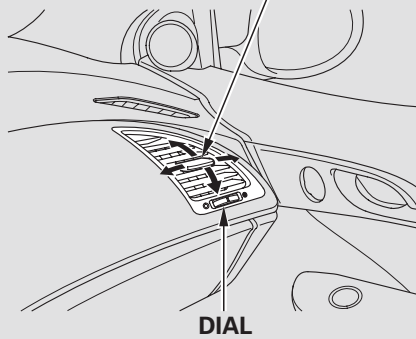
The direction of airflow from the vents in the centre and each corner of the dashboard is adjustable.

To adjust the airflow from each vent in the centre and passenger's side, move the tab in the centre of each vent up-and-down and side-to-side.

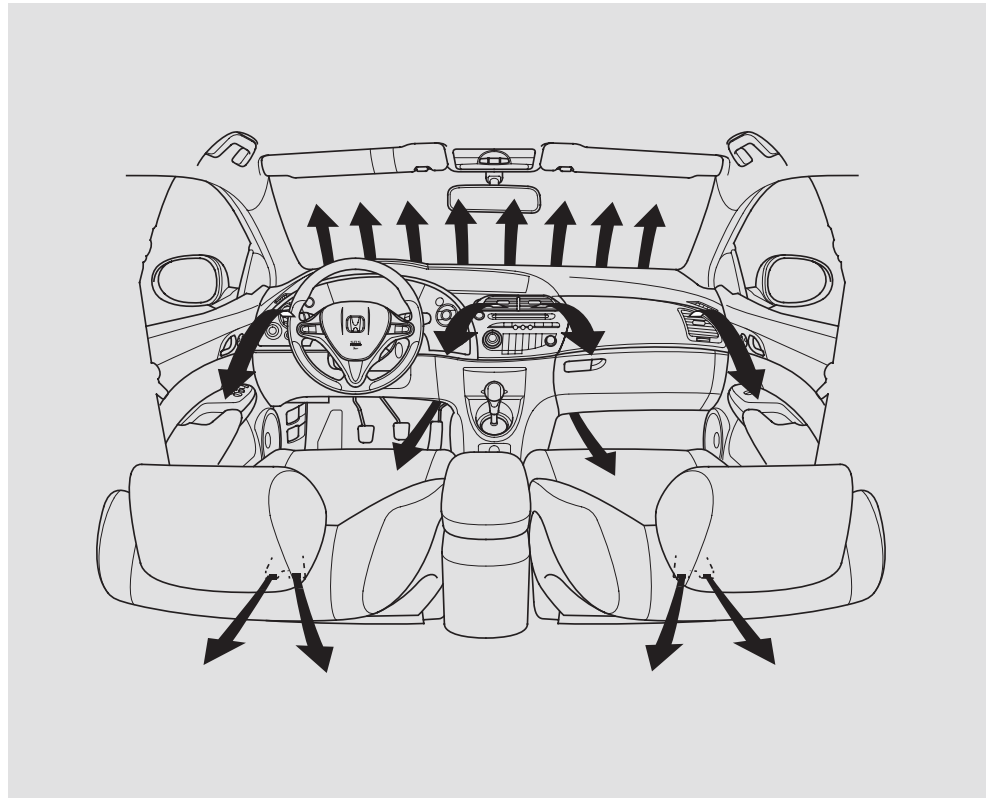
CONTINUED

Vents and Heating

Passenger's Side TAB



The passenger's side vent can be opened and closed with the dial underneath it.



Airflow Controls



Temperature Control Dial

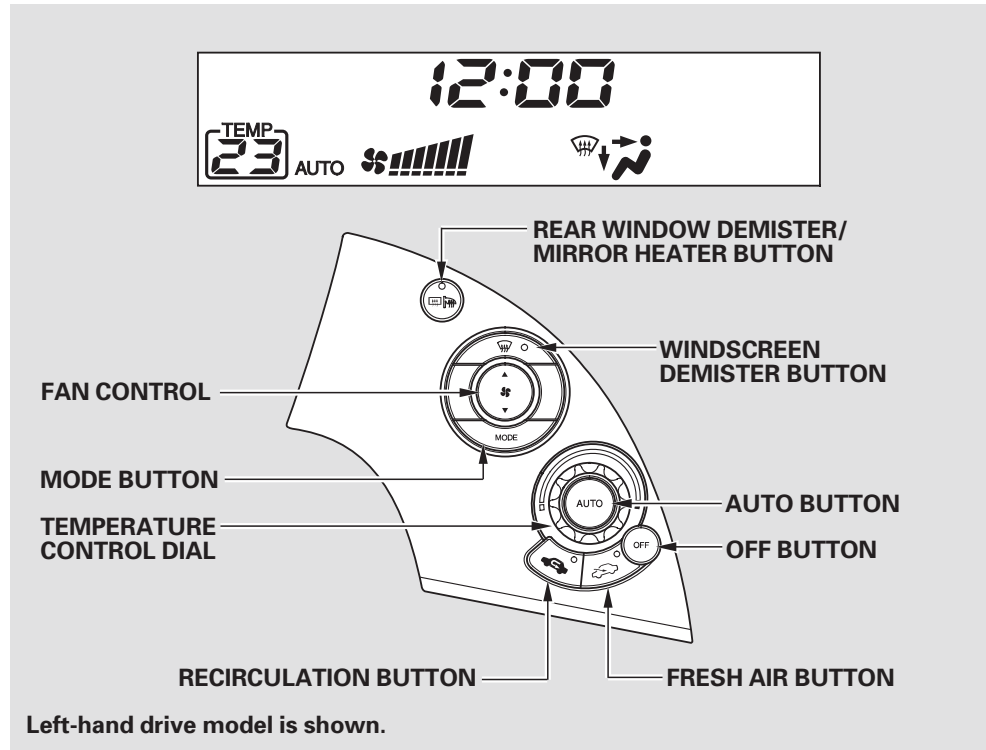
Turning the temperature control dial clockwise increases the temperature of the airflow.

Fan Control

Select the fan speed by pressing the top or bottom of the fan speed control switch (▲ or ▼). The fan speed is shown in vertical bars on the display.

Fresh Air and Recirculation Buttons

These two buttons control the source of air going into the system. In fresh air mode , air comes from outside the vehicle. In recirculation mode , the interior air recycles through the system.



CONTINUED

Vents and Heating

The outside air intakes for the climate control system are at the base of the windscreen. Keep this area clear of leaves and other debris.


The system should be left in fresh air mode under almost all conditions. Keeping the system in recirculation mode can cause the windows to fog up.

Switch to recirculation mode when driving through dusty or smoky conditions, then return to fresh air mode.


Mode Button

Use the MODE button to select the vents the air flows from. Some air will flow from the dashboard corner vents in all modes.

Each time you press the MODE button, the display shows the mode selected.

 Airflow is divided between the floor and corner vents, and the demister vents at the base of the windscreen.


 Air flows from the floor and corner vents.


 Airflow is divided between the vents in the dashboard and the floor vents.

 Air flows from the centre and corner vents in the dashboard.

Windscreen Demister Button

This button directs the main airflow to the windscreen for faster defrosting. It also overrides any mode selection you may have made.

When you select , the system automatically switches to fresh air mode. For faster defrosting, manually set the fan speed to high. You can also increase airflow to the windscreen by closing the side vents on the dashboard.

When you turn off  by pressing the button again, the system returns to its former settings.

For your safety, make sure you have a clear view through all the windows before driving.


Rear Window Demister Button

This button turns the rear window demister on and off (see page 145).

When you turn on the rear window demister, the heated door mirror is also turned on automatically.

Ventilation

The flow-through ventilation system draws in outside air, circulates it through the interior, then exhausts it through vents near the rear window.

1. Set the temperature control dial to the lower limit.
2. Select  and fresh air mode.
3. Set the fan to the desired speed.

Using the Auto Heater

The heater uses engine coolant to warm the air. If the engine is cold, it will be several minutes before you feel warm air coming from the system.





1. Press the AUTO on the temperature control dial.
2. Adjust the warmth of the air with the temperature control dial. You will see AUTO and the selected temperature in the information display.

The system automatically selects the proper combination of heated air and ventilation to maintain the selected temperature. The system also adjusts the fan speed and airflow levels.



Vents and Heating

To Defog and Defrost

To remove fog from the inside of the windows:

1. Set the fan to the desired speed or high for faster defrosting.
2. Select  and fresh air mode. When you select , the system automatically switches to fresh air mode.
3. Adjust the temperature control dial so the airflow feels warm.
4. Select   to help clear the rear window.
5. To increase airflow to the windscreen, close the corner vents.

To Remove Exterior Frost or Ice From the Windows

1. Select  . The system automatically switches to fresh air mode.
2. Select  .
3. Set the fan and temperature controls to maximum level.

To clear the windows faster, you can close the dashboard corner vents. To close the driver's side vent, push the bottom of either flap, and on the passenger's side vent, rotate the wheel below it. This sends more warm air to the windscreen demister vents. Once the windscreen is clear, select the fresh air mode to avoid fogging the windows.

For your safety, make sure you have a clear view through all the windows before driving.

To Turn Everything Off

If you press OFF button, the heating and airflow control system shuts off completely.

- Keep the system completely off for short periods only.
- To keep stale air and mustiness from collecting, you should have the fan running at all times.

On vehicles with air conditioning system

The automatic climate control system in your vehicle picks the proper combination of air conditioning, heating, and ventilation to maintain the interior temperature you select. The system also adjusts the fan speed and airflow levels.

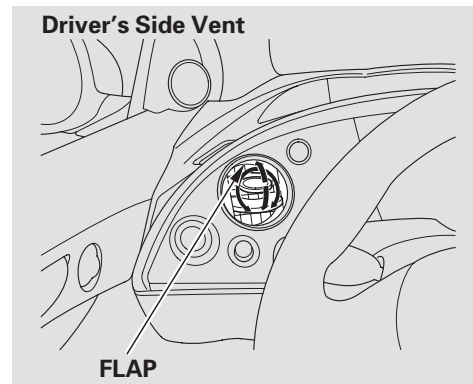
On vehicles with dual temperature control system

You can adjust the temperatures of the driver's side and the passenger's side independently (see page 209).

In the AUTO mode, the vehicle's interior temperature is independently regulated for the driver and passenger.

To activate the climate control system, the engine must be running.

The direction of airflow from the vents in the centre and each corner of the dashboard is adjustable.

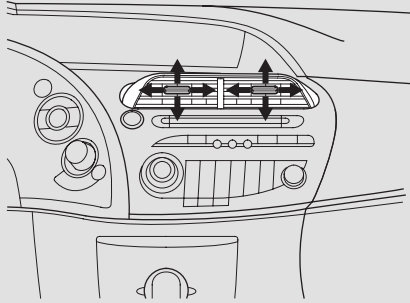


The driver's side vent can be opened and closed with the upper and lower flaps. To open it, push in the flap as shown. To close the vent, push the bottom of either flap. To adjust the airflow from the vent, push in the flap to open it, then move the flap up-and-down and rotate the vent.

CONTINUED

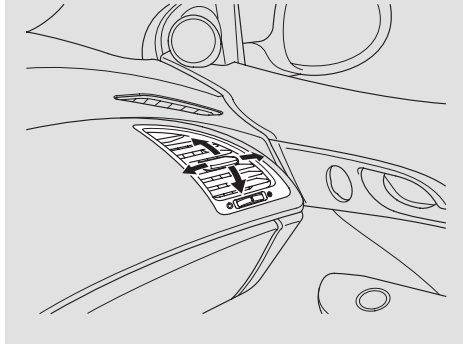
Climate Control System

Centre Vents

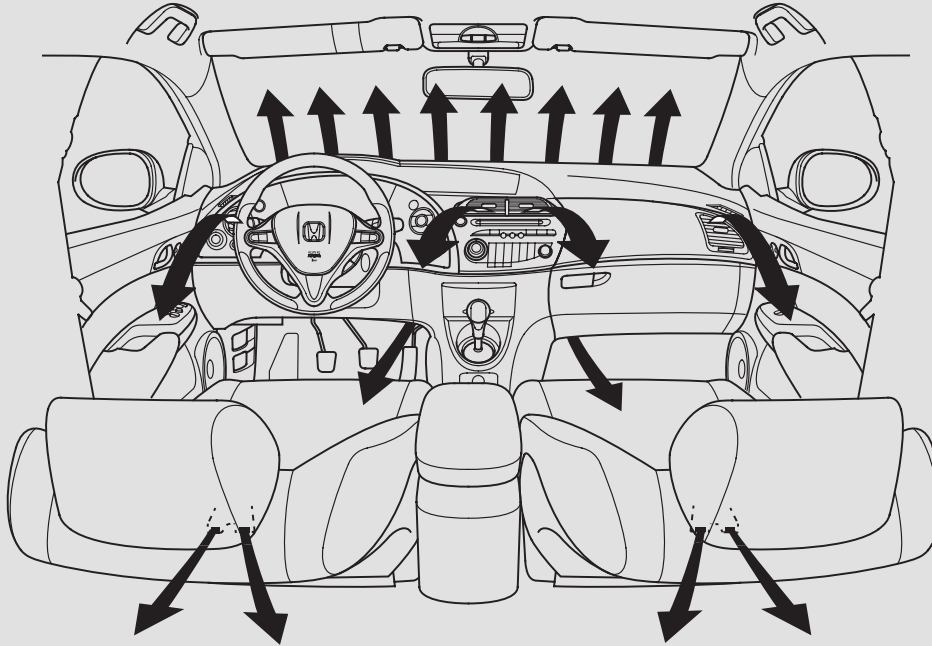


To adjust the airflow from each vent in the centre and passenger's side, move the tab in the centre of each vent up-and-down and side-to-side.

Passenger's Side Vent



The passenger's side vent can be opened and closed with the dial underneath it.

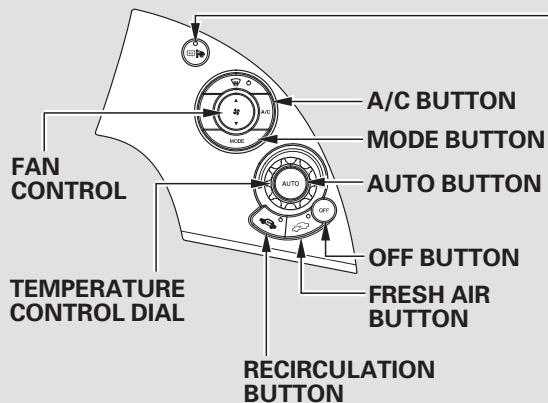


CONTINUED

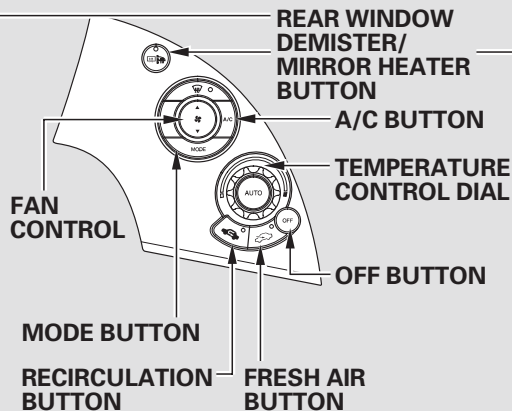
Climate Control System

Without navigation system

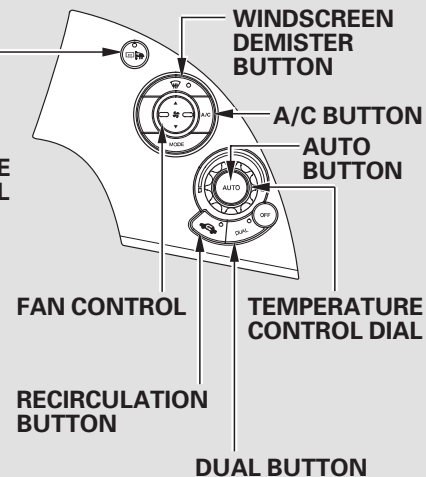
Without dual temperature control system



Left-hand drive model is shown.



With dual temperature control system

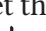



Automatic Climate Control

To put the automatic climate control in fully-automatic mode:

1. Press the AUTO on the temperature control dial.
2. Set the desired temperature by turning the temperature control dial. You will see AUTO and the selected temperature in the display. On vehicles with dual temperature control system, you can also set the passenger's side temperature.

The system automatically selects the proper mix of conditioned and/or heated air that will, as quickly as possible, raise or lower the interior temperature to your preference.

When you set the temperature to its lower limit () or its upper limit (), the system runs at full cooling or heating only. It does not regulate the interior temperature.

In cold weather, the fan will not come on automatically until the heater starts to develop warm air.

On vehicles with dual temperature control system

When the indicator in the dual button is on, the driver's side and passenger's side temperature can be controlled independently (see page 209).

To Turn Everything Off

If you press the OFF button, the climate control system shuts off completely.

- Keep the system completely off for short periods only.
- To keep stale air and mustiness from collecting, you should have the fan running at all times.

Climate Control System

Semi-automatic Operation

You can manually select various functions of the climate control system when it is in fully-automatic mode. All other features remain automatically controlled. Making any manual selection causes the word AUTO in the display to go out.

Air Conditioning (A/C) Button

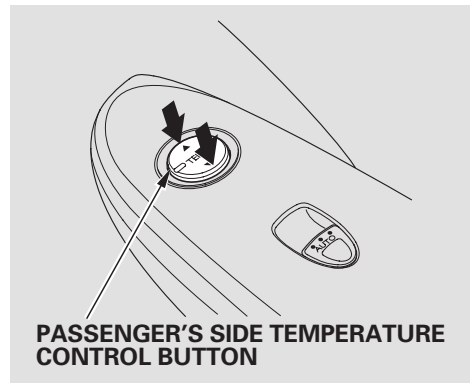
Press the A/C button to turn the air conditioning on and off. You will see A/C ON or A/C OFF in the display.

When you turn the A/C off, the system cannot regulate the inside temperature if you set the temperature control dial below the outside temperature.

Temperature Control

On vehicles without dual temperature control system

Turning the temperature control dial clockwise increases the temperature of the airflow.



On vehicles with dual temperature control system

The driver and passenger can select independent temperature settings. Press the DUAL button. When the indicator in the button is lit, turn the dial to adjust the temperature on the driver's side. On the Passenger's side, press either side (▲ or ▼) of the temperature control button on the front passenger's door armrest. When the indicator is off, both sides adjust to the same temperature.



Recirculation Button

On vehicles with dual temperature control system

When the recirculation indicator is on, air from the vehicle's interior is sent throughout the system again. When the indicator is off, air is brought in from the outside of the vehicle (fresh air mode).

Fresh Air and Recirculation Buttons

On vehicles without dual temperature control system

These two buttons control the source of air going into the system. In fresh air mode , air comes from outside the vehicle. In recirculation mode , the interior air recycles through the system.

The outside air intakes for the climate control system are at the base of the windshield. Keep this area clear of leaves and other debris.

The system should be left in fresh air mode under almost all conditions. Keeping the system in recirculation mode, particularly with the A/C off, can cause the windows to fog up.

Switch to recirculation mode when driving through dusty or smoky conditions, then return to fresh air mode.

Fan Control

Select the fan speed by pressing the top or bottom of the fan speed control switch (▲ or ▼). The fan speed is shown in vertical bars on the display.

Dual Button

On vehicles with dual temperature control system

Press the DUAL button to select dual temperature control mode (see page 209).

You can set the temperatures for the driver's side and the passenger's side separately when this button is pressed (indicator is on). When the indicator in the DUAL button is off, you can adjust both sides to the same temperature with the driver's side temperature control dial.


CONTINUED

Climate Control System


Mode Button

Use the MODE button to select the vents the air flows from. Some air will flow from the dashboard corner vents in all modes.

Each time you press the MODE button, the display shows the mode selected.

 Airflow is divided between the floor and corner vents, and the demister vents at the base of the windscreen.


 Air flows from the floor and corner vents.


 Airflow is divided between the vents in the dashboard and the floor vents.

 Air flows from the centre and corner vents in the dashboard.

Windscreen Demister Button

This button directs the main airflow to the windscreen for faster defrosting. It also overrides any mode selection you may have made.

When you select , the system automatically switches to fresh air mode (on some types) and turns on the A/C. For faster defrosting, manually set the fan speed to high. You can also increase airflow to the windscreen by closing the corner vents on the dashboard.

When you turn off  by pressing the button again, the system returns to its former settings.

For your safety, make sure you have a clear view through all the windows before driving.

Rear Window Demister Button

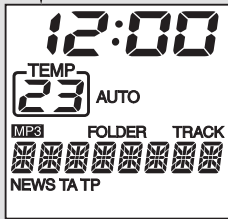
This button turns the rear window demister off and on (see page 145).

When you turn on the rear window demister, the heated door mirror is also turned on automatically.

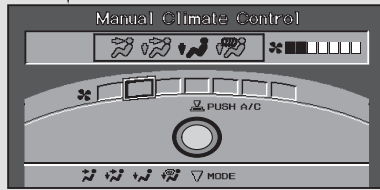
With navigation system

Without dual temperature control system

SIDE DISPLAY

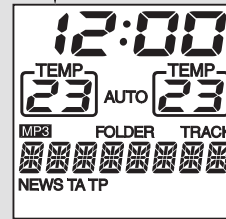


CLIMATE CONTROL DISPLAY

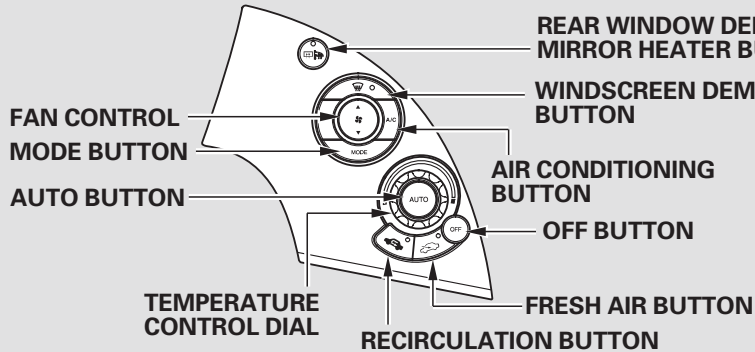
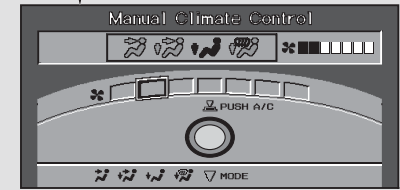


With dual temperature control system

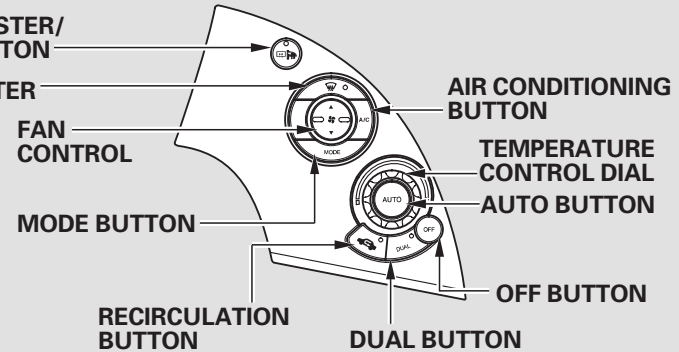
SIDE DISPLAY



CLIMATE CONTROL DISPLAY



Left-hand drive model is shown.



Climate Control System

Voice Control System

On vehicles with navigation system



In addition to the standard air conditioning controls, the climate control system in your vehicle can be operated using the voice control system. See the navigation system manual for complete details.

Automatic Climate Control

To put the automatic climate control in fully-automatic mode:

1. Press the AUTO on the temperature control dial.
2. Set the desired temperature by turning the temperature control dial. You will see AUTO and the selected temperature in the information display.

The system automatically selects the proper mix of conditioned and/or heated air that will, as quickly as possible, raise or lower the interior temperature to your preference.

When you set the temperature to its lower limit () or its upper limit (), the system runs at full cooling or heating only. It does not regulate the interior temperature.

In cold weather, the fan will not come on automatically until the heater starts to develop warm air.

On vehicles with dual temperature control system

When the indicator in the dual button is on, the driver's side and passenger's side temperature can be controlled independently (see page 209).

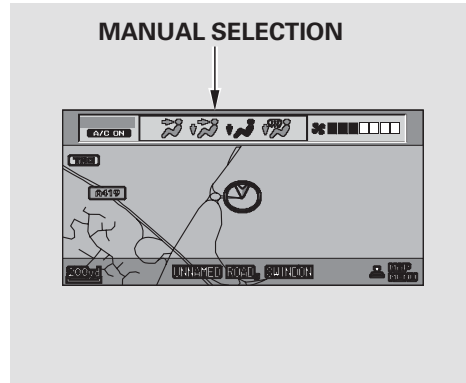
To Turn Everything Off

If you press the OFF button, the climate control system shuts off completely.

- Keep the system completely off for short periods only.
- To keep stale air and mustiness from collecting, you should have the fan running at all times.

Semi-automatic Operation

You can manually select various functions of the climate control system when it is in fully-automatic mode. All other features remain automatically controlled. Making any manual selection causes the word **AUTO** in the display to go out.

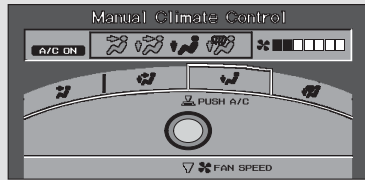


When you make any manual selection, the current settings of the climate control system appear on the upper part of the navigation display. The climate control display will go off about 5 seconds after you stop making a manual selection. To confirm your manual selection on the navigation display, push the **CLIMATE** button on the navigation control panel.

You can also manually select the functions of the climate control system on the navigation display with the interface dial. Each time you push the interface dial down, the selected mode switches between the fan control and the mode selection. In the fan control mode, turn the interface dial to select a fan speed, and in the mode selection, turn the dial to select a mode. The selected mode is highlighted on the screen.

Refer to page 188 on how to move the interface dial.

CONTINUED



Air Conditioning (A/C) Button

Press the CLIMATE button to view the climate control display. Push ENT on the centre of the interface dial to turn the air conditioning on and off. You will see A/C ON or A/C OFF in the display. Pushing the A/C button on the side panel also turns the air conditioning on and off.

When you turn the A/C off, the system cannot regulate the inside temperature if you set the temperature control dial below the outside temperature.



Recirculation Button

On vehicles with dual temperature control system

When the recirculation indicator is on, air from the vehicle's interior is sent throughout the system again. When the indicator is off, air is brought in from the outside of the vehicle (fresh air mode).

Fresh Air and Recirculation Buttons

On vehicles without dual temperature control system

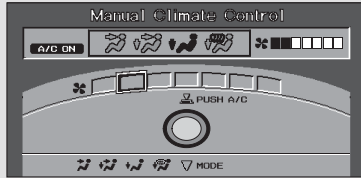
These two buttons control the source of air going into the system. In fresh air mode , air comes from outside the vehicle. In recirculation mode , the interior air recycles through the system.

The outside air intakes for the climate control system are at the base of the windscreen. Keep this area clear of leaves and other debris.

The system should be left in fresh air mode under almost all conditions. Keeping the system in recirculation mode, particularly with the A/C off, can cause the windows to fog up.

Switch to recirculation mode when driving through dusty or smoky conditions, then return to fresh air mode.

interface dial.



Fan Control

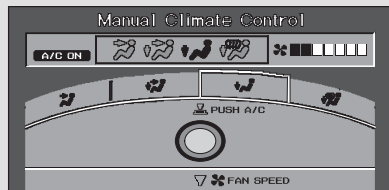
Press the CLIMATE button to view the climate control display. Push down the selector on the interface dial to select the fan control mode. Turning the interface dial to increase or decrease the fan speed and airflow. The fan speed is shown in vertical bars on the display. You can also select the fan speed by pressing the top or bottom of the fan speed control switch (▲ or ▼). You can also select the fan speed by turning the

Dual Button

On vehicles with dual temperature control system

You can set the temperatures for the driver's side and the passenger's side separately when this button is pressed (indicator is on). When the indicator in the DUAL button is off, you can adjust both sides to the same temperature with the driver's side temperature control dial.

CONTINUED



Mode Control

Press the CLIMATE button to view the climate control display, then select the mode display by pushing down the selector on the interface dial. Turning the interface dial selects the vents the air flows from. Some air will flow from the dashboard corner vents in all modes.

You can also use the MODE button on the side panel to select the vents. Each time you press the MODE button, the selected mode is highlighted on the display.



Air flows from the centre and corner vents in the dashboard.



Airflow is divided between the vents in the dashboard and the floor vents.




Air flows from the floor and corner vents.




Airflow is divided between the floor and corner vents, and the demister vents at the base of the windscreen.

Windscreen Demister Button

This button directs the main airflow to the windscreen for faster defrosting. It also overrides any mode selection you may have made.

When you select , the system automatically switches to fresh air mode (on some types) and turns on the A/C. For faster defrosting, manually set the fan speed to high. You can also increase airflow to the windscreen by closing the corner vents on the dashboard.

When you turn off  by pressing the button again, the system returns to its former settings.

For your safety, make sure you have a clear view through all the windows before driving.

Rear Window Demister Button

This button turns the rear window demister off and on (see page 145).


When you turn on the rear window demister, the heated door mirror is also turned on automatically.

Dual Temperature Control

The temperatures of the driver's side and the passenger's side can be controlled independently when the indicator in the DUAL button is on.

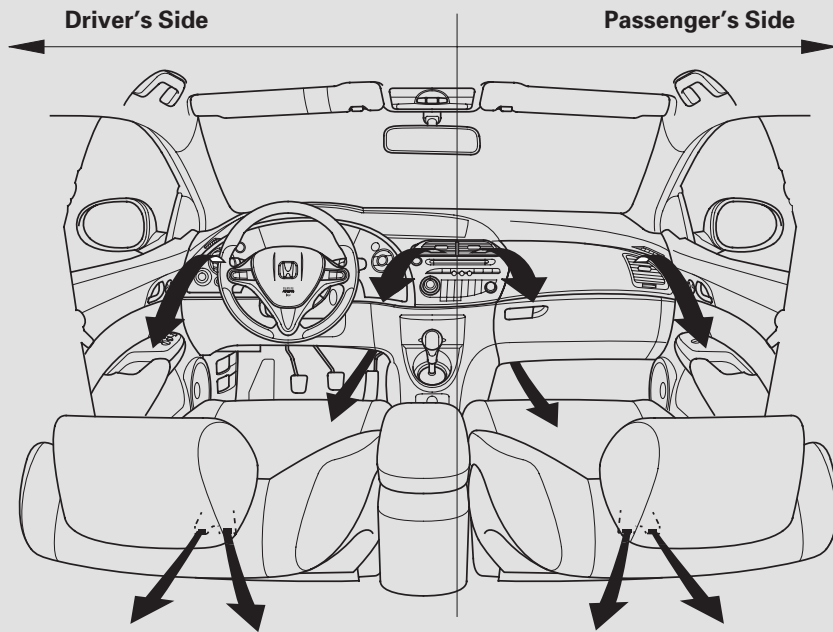
To adjust the driver's side, turn the temperature control dial on the climate control panel. To adjust the passenger's side, press either side (▲ or ▼) of the temperature control button on the front passenger's door armrest.

Temperature Control Dials

Push AUTO or . The selected temperatures appear in the display (in the side display on vehicles with navigation system). When the indicator in the DUAL button is off, you can adjust both sides to the same temperature by adjusting the driver's temperature control dial.

CONTINUED

Climate Control System

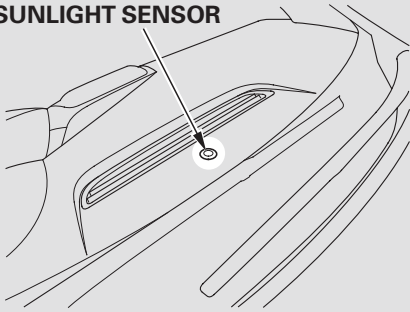


To set the driver's side temperature to a different value than the passenger's side, press the DUAL button, then turn the temperature control dial on the control panel. To set the passenger's side to a different value than the driver's side, press either side (▲ or ▼) of the temperature control button on the front passenger's door armrest. You can adjust the passenger's side without pressing the DUAL button first.

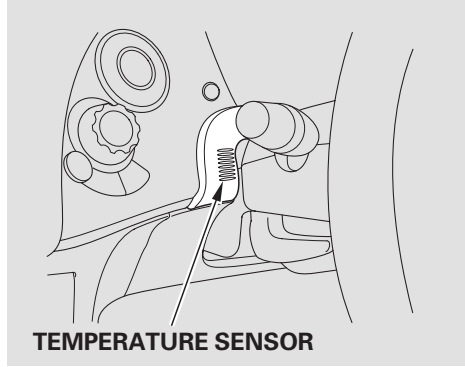
When you set the temperature to its lower limit or its upper limit, it will be displayed as "Hi." or "Lo."

Sunlight and Temperature Sensors

SUNLIGHT SENSOR



TEMPERATURE SENSOR



The climate control system has two sensors. A sunlight sensor is in the top of the dashboard, and a temperature sensor is next to the steering column. Do not cover the sensors or spill any liquid on them.

Audio System

The audio system is standard equipment on some models. Read the appropriate pages as shown below for the operation of the audio system installed in your vehicle.

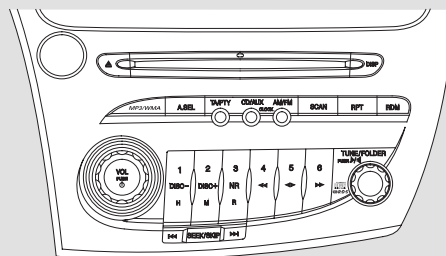
On vehicles without navigation system, see page 213 to 237 .

On vehicles with navigation system, see page 238 to 267 .

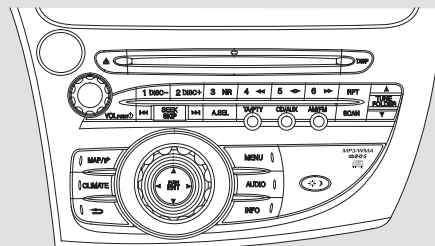
Voice Control System

On vehicles with navigation system
In addition to the standard audio controls, the audio system in your vehicle can be operated using the voice control system. See the navigation system manual for complete details.

Without navigation system



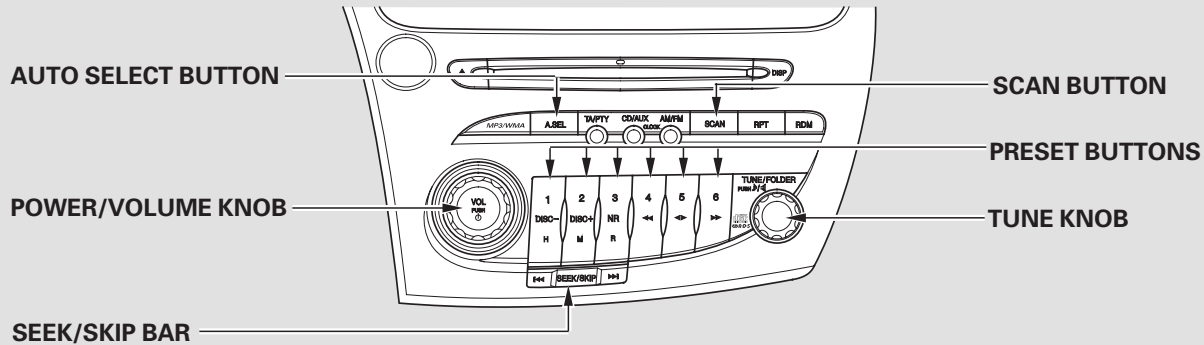
With navigation system



Left-hand drive model is shown.

Audio System (on vehicles without navigation system)

Playing the Radio



Left-hand drive model is shown.

Audio System (on vehicles without navigation system)

To Play the Radio

The ignition switch must be in the ACCESSORY (I) or ON (II) position. Turn the system on by pushing the power/volume knob or the AM/FM button. Adjust the volume by turning the power/volume knob.

The band and frequency that the radio was last tuned to are displayed. To change bands, press the AM/FM button. On the FM band, ST will be displayed if the station is broadcasting in stereo. Stereo reproduction in AM is not available.

On the AM band, AM noise reduction turns on automatically.

To Select a Station

You can use any of five methods to find radio stations on the selected band: tune, seek, scan, the preset buttons, and auto select.

TUNE — Use the TUNE knob to tune the radio to a desired frequency. Turn the knob right to tune to a higher frequency, or left to tune to a lower frequency.

SEEK — The seek function searches up and down from the current frequency to find a station with a strong signal. To activate it, press the ◀◀ or ▶▶ side of the SEEK bar, then release it.

SCAN — The scan function samples all stations with strong signals on the selected band. To activate it, press the SCAN button, then release it. You will see SCAN in the display. The system will scan for a station with a strong signal. When it finds one, it will stop and play that station for about 10 seconds.

If you do nothing, the system will then scan for the next strong station and play it for 10 seconds. When it plays a station you want to listen to, press the SCAN button again.

Preset — Each preset button can store one frequency on AM or LW, and two frequencies on FM.

1. Select the desired band, AM, LW or FM. FM1 and FM2 let you store two frequencies with each preset button.
2. Use the tune, seek, or scan function to tune the radio to a desired station.
3. Pick a preset button (1–6), and hold it until you hear a beep.
4. Repeat steps 1 through 3 to store a total of 6 stations on each AM and LW, and 12 stations on FM.

AUTO SELECT — If you are travelling far from home and can no longer receive your preset stations, you can use the auto select feature to find stations in the local area.

Press the A. SEL button. You will see A. SEL flashing in the display, and the system goes into scan mode for several seconds. The system stores the frequencies of 6 FM stations in the preset buttons.

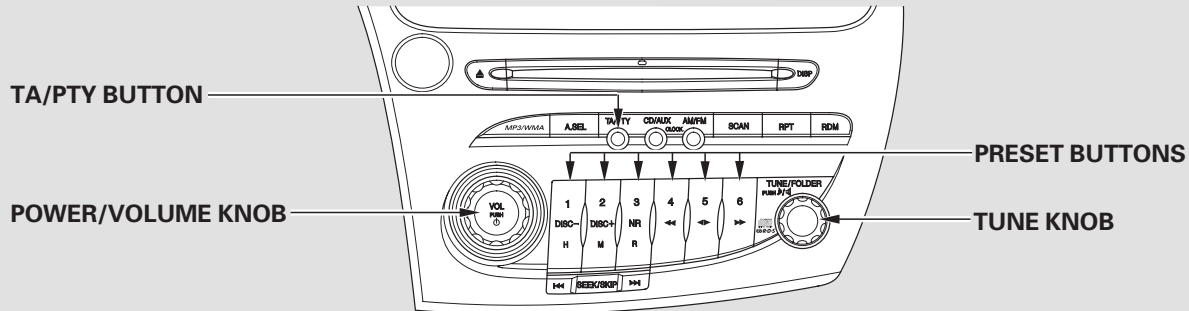
You will see a “0” displayed after pressing a preset button if auto select cannot find a strong station for that preset button.

If you do not like the stations auto select has stored, you can store other frequencies on the preset buttons as previously described.

To turn off auto select, press the A. SEL (auto select) button. This restores the presets you originally set.

Audio System (on vehicles without navigation system)

With Radio Data System (RDS)



Left-hand drive model is shown.

Radio Data System (RDS)

With your audio system, you can utilize many convenient features provided by the radio data system (RDS).

With the FM band selected, you can keep listening to the same station even if its frequency changes as you enter different regions while you are travelling.

The RDS functions turns on automatically when you turn the system on. If the station you are listening to is an RDS stations, the frequency is displayed in the information display and the station name will be displayed in the audio display. Then, the system will automatically keep selecting the frequency with the strongest signal from the frequencies that carry the same programs. This can save you the trouble of retuning to obtain the same station as long as you are in the

same RDS network area.

You can turn on or off the RDS function and select the RDS programs. To switch the function and select the program, press the power/volume knob for more than 2 seconds with the audio system on. You will hear a beep. Press any of the preset buttons (1 through 6) to select the function. Each preset button has the following function. Pressing the preset button switches the function between on and off (24 H and 12H on the clock mode).

Preset 1: AF ON/OFF –

Alternative frequency function on or off

Preset 2: REG ON/OFF –

Regional program on or off

Preset 3: PS ON/OFF –

Program service function on or off

Preset 4 A-TP ON/OFF:

Automatic traffic program on or off

Preset 5: NEWS ON/OFF –

News program on or off

Preset 6: CLOCK 24H/12H

CONTINUED

Audio System (on vehicles without navigation system)



To turn on the RDS, select 1 AF ON by pressing the preset 1. To turn off the RDS, select 1 AF OFF. Press the power/volume knob again to store the setting.

AF (Alternative Frequency) — This function automatically selects a frequency with the same program in the RDS network area.

REG (Regional Program) — This function keeps the regional program and does not change the frequency even if the signal becomes too weak.

PS (Program Service Display) — This function shows the radio station name which you are listening to.

A-TP (Automatic Traffic Information Program) — This function automatically tunes to the radio station which is broadcasting the traffic information.

NEWS (News Program) — This function automatically tunes to the radio station which is broadcasting the newscast.

CLOCK — With this function, you can switch the clock display between 24-hours and 12-hours.

When the signals of the RDS station become so weak that the system can no longer follow the station, the system will hold the last tuned frequency and the display will change from the station name to the frequency.

In some countries, you cannot utilize features provided by RDS as the RDS function is not provided for all stations.

Program Service Name Display

If the station you are listening to is an RDS station, the frequency display will disappear and the station name or PTY information will be displayed. Press the TA/PTY button for more than 2 seconds to switch the display between the name of network/station and the PTY information. For more information on the PTY, see page 220 .

TA (Traffic Announcement) Standby Function

When you press and release the TA/PTY button, TA comes on in the display and the system stands by for traffic announcements.

When the automatic traffic information program (A-TP ON) is selected, TP will come on in the display. This indicates that the traffic reports can be received from the traffic information broadcasting station.

A-TP cross-references other program services that broadcast traffic information, and the traffic reports can be received through another program service in the RDS network area.

You can receive traffic information while you are listening to a disc or tape (if equipped). If the system is tuned to a TP station before playing a disc or tape, the system will stand by for traffic announcements with the TA/PTY button pressed (TA indicator is on) and the system will switch from disc or tape to the traffic announcement when it begins. You will see TA-INFO in the display. The system will return to the disc or tape mode when the traffic information is finished.

CONTINUED

Audio System (on vehicles without navigation system)

To adjust the volume of the traffic announcement, turn the power/volume knob while the announcement is broadcasting. The adjusted volume level will be stored, then that level will be used on the next time traffic announcement. If you adjust the volume below the minimum level, the default level (level 9) will be used on the next time. The volume of the PTY NEWS or the PTY ALARM function can also be adjusted (see page 222).

If your vehicle's battery goes dead, or is disconnected, the traffic announcement volume level will be reset to the default setting (level 9).

To turn off the TA function, press the TA/PTY button again. TA will go out from the display.

If you use seek or auto select with the TA function on, the system searches only TP stations.

PTY (Program Type) Display Function

When the TA/PTY button is pressed for more than 2 seconds until you hear a beep, the PTY display function comes on. This function shows you the program type of the selected RDS station. For example, if the station is broadcasting drama, DRAMA is shown in the display. If it is a station of scientific programs, SCIENCE is shown. The principal PTYs are shown as follows.

NEWS: Short accounts of facts, events, publicly expressed views, reportage, etc.

AFFAIRS: Topical programs expanding upon the news.

Audio System (on vehicles without navigation system)

INFORMATION: General information and advice.

SPORT: Programs concerned with any aspect of sports.

EDUCATION: Educational programs.

DRAMA: All radio plays and serials.

CULTURES: Programs concerned with any aspect of national or regional culture.

SCIENCE: Programs about nature, science, and technology.

VARIED: Light entertainment programs.

POP MUSIC: Commercial music of popular appeal.

ROCK MUSIC: Contemporary modern music.

EASY: Light music.

LIGHT MUSIC: Light classics; classical music for non-specialist appreciation.

CLASSICS: Traditional classics.

OTHER MUSIC: Other types of music, such as R & B, Reggae.

WEATHER: Weather information.

FINANCE: Programs concerned with economy.

CHILDREN: Programs for children.

PHONE IN: Programs consisting of listener's message

TRAVEL: Programs concerned with travel.

JAZZ MUSIC: Jazz music.

COUNTRY: Country music.

NATION M: National music.

OLDIES M: Oldies music, "Golden age" based programs.

FOLK MUSIC: Folk music.

SOCIAL: Social affairs programs.

RELIGION: Programs concerned with religion.

DOCUMENTARY: Documentary programs.

LEISURE: Programs about hobbies and recreational activities.

CONTINUED

Audio System (on vehicles without navigation system)

When you turn the TUNE knob, the display will show different PTYs (see the PTYs list on the previous column).

After you select the desired program type, the system will search for a station with the same PTY code as the selected program type. When you use this function for the first time, NEWS will appear as it was preset at the factory.

After your desired PTY is displayed, press either side of the SEEK/SKIP button within 5 seconds. The system will go into the PTY search mode and search for a station of the selected PTY. If there is no station available in the selected PTY, NO PTY is displayed for about 5 seconds and the PTY search mode is cancelled.

If the selected RDS station does not transmit PTY data, NO PTY is displayed. When the selected station is not an RDS station, NO RDS is displayed for about 5 seconds.

The PTY setting mode is cancelled if no further steps are taken within 5 seconds after selecting the desired PTY with the TUNE knob.

Some stations may broadcast the programs with different contents from their PTY code.

In the PTY search mode, the tuning step is set to 50 kHz while searching on the FM band. This step changes to 100 kHz when the AF or TA function is activated.

PTY/News Interrupt Function

To activate this function, press the TA/PTY button for more than 2 seconds and select NEWS. The system will hold the last tuned FM station/network PTY while you are listening to the disc. With this function on, playing disc is interrupted and the system switches from disc mode to the FM newscast when the newscast is broadcasting from the FM station.

You can change the volume level of the interrupted newscast. Refer to page 220 for how to adjust the volume level.

When the program is changed to another program or the frequency cannot be received for 10 seconds due to a weak signal, the system will return to the disc mode automatically.

Your audio system has another interrupt function (including TA function). The first activated interrupt function has priority over the others and the indication of the other interrupt function goes out. To activate the other interrupt function, turn off the current interrupt function.

PTY Alarm

PTY code “ALARM” is used for emergency announcements, such as natural disasters. When this code is received, “ALARM” comes on the display and the volume is changed. When the alarm is cancelled, the system will return to the normal operation mode.

Audio System (on vehicles without navigation system)

Adjusting the Sound

Press the SOUND (TUNE) knob repeatedly to display the BASS, TREBLE, FADER, BALANCE, and SVC (speed-sensitive volume compensation) settings.

BASS – Adjusts the bass.

TREBLE – Adjusts the treble.

FADER – Adjusts the front-to-back strength of the sound.

BALANCE – Adjusts the balance, or side-to-side strength of the sound.

SVC – Adjusts the volume level according to the vehicle speed.

Each mode is shown in the display as it changes. Turn the power/volume knob to adjust the setting to your liking. When the level reaches centre, you will see a “C” in the display.

The system will return to the audio display about 5 seconds after you stop adjusting a mode.

Speed-sensitive Volume Compensation (SVC) System

This audio system has the speed sensitive volume compensation (SVC) system. There are four compensation levels; LOW, MID (medium), HIGH and OFF. The system monitors the vehicle speed and changes the volume level as the vehicle speed goes up. The faster you go, the louder the audio volume becomes. As you slow down, the audio volume decreases.

If your vehicle’s battery is disconnected or goes dead, the SVC may be reset to the default setting “MID”.

Audio System Lighting

You can use the instrument panel brightness control knob to adjust the illumination of the audio control panel (see page 144). The audio system illuminates when you turn the ignition switch to the ON (II) position, even if the radio is off.

Audio System (on vehicles without navigation system)

Playing a Disc



EJECT BUTTON

DISC SLOT

SCAN BUTTON

DISP BUTTON

RANDOM BUTTON

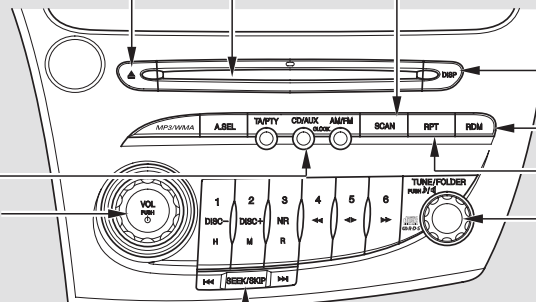
REPEAT BUTTON

TUNE KNOB

CD BUTTON

POWER/VOLUME KNOB

SEEK/SKIP BAR



Left-hand drive model is shown.

Audio System (on vehicles without navigation system)

To Play a Disc

To load or play discs, the ignition switch must be in the ACCESSORY (I) or ON (II) position.

You operate the disc player with the same controls used for the radio. To select the disc player, press the CD button. You will see “CD” in the display. The number of the track playing and the elapsed time are shown in the display. You can also select the displayed information with the DISP button (see page 227). The system will continuously play a disc until you change modes.

NOTICE

Do not use discs with adhesive labels. The label can curl up and cause the disc to jam in the unit.

This audio system can also play CD-Rs and CD-RWs compressed in MP3 or WMA standard. When playing a disc in MP3, you will see “MP3” in the display. In WMA format, “WMA” will appear in the display. The numbers of the folder and track playing are shown in the display on the disc player. You can select up to 255 tracks or folders.

Video CDs and DVD discs will not work in this unit.

The specifications of the compatible MP3 file are:

- Sampling frequency:
32/44.1/48 kHz
- Bit rate: 32/40/48/56/64/80/96/
112/128/160/192/224/
256/320 kbps
- Compatible with variable bit rate
and multi-session
- Maximum layers
(including ROOT): 8 layers

The specifications of the compatible WMA file are:

- Sampling frequency:
32/44.1/48 kHz
- Bit rate: 48/64/80/96/128/160/
192 kbps
- Compatible with variable bit rate
and multi-session
- Maximum layers
(including ROOT): 8 layers

In a disc compressed in WMA standard, DRM (digital rights management) files cannot be played. If the system finds the DRM file in a disc, you will see “CD FORMAT” in the display for a few seconds. The system searches the next available folder or file and plays it.

To Load a Disc

Insert a disc about halfway into the disc slot. The drive will pull the disc in the rest of the way and begin to play it. The number of the track playing is shown in the display. The system will continuously play a disc until you change modes.

You cannot load and play 8-cm (3-inch) discs in this system.

DISP Button

When you press and release the DISP button while a disc without text data is playing, you will see “NO INFO” on the display.

If a disc (CD-DA) has text data, you can see the disc name, the track name, and the artist tag in the display. Each time you press the DISP button, the display changes.

If a disc is compressed in MP3 or WMA format, you can see the folder name, the file name, the artist tag, the album tag and the track tag in the display. Each time you press the DISP button, the display changes.

The display shows the first 11 characters of the selected text data (the current folder, file name, etc.). With the folder or file name, you will see the FOLDER or TRACK indicator in the display.

If the text data has more than 11 characters, you will see the first 10 characters and the > indicator in the display. Press and hold the DISP button until the display shows the next 11 characters. You can see up to about 21 characters of the text data.

If you press and hold the DISP button again, the display shows the first 11 characters again.

If any letter is not available, it is replaced with “.” (dot) in the display.

When the disc has no text data, you will see “NO INFO” on the display.

CONTINUED

Audio System (on vehicles without navigation system)

You will also see the text data in the following conditions.

- When the folder or the file is changed.
- When you change the audio mode to play discs in MP3 or WMA and the system begins to play.
- When you insert a disc with text data or compressed in MP3 or WMA, and the system begins to play.

The display can show you up to the 11 characters at a time, but depending on the letter size, you may not see all 11 characters.

When you turn on the audio system next time, the system keeps your selection with the DISP button.

To Change or Select Tracks/Files

You can use the SEEK/SKIP bar while a disc is playing to select passages and change tracks (files in MP3/WMA mode).

In MP3 or WMA mode, use the TUNE knob to select folders in the disc and use the SEEK/SKIP bar to change files.

SEEK/SKIP — Each time you press and release the ►►| side of the SEEK/SKIP bar, the player skips forward to the beginning of the next track (file in MP3 or WMA mode). Press and release the |◄◄ side to skip backward to the beginning of the current track. Press it again to skip to the beginning of the previous track.

To move rapidly within a track or file, press and hold the ►►| or |◄◄ side of the SEEK/SKIP bar.

In MP3 or WMA mode

FOLDER SELECTION — To select a different folder, turn the TUNE knob to move to the beginning of the next folder. Turn the knob to the right until it clicks once to skip to the next folder, and to the left to move to the beginning of the current folder. Turn it again to skip to the beginning of the previous folder. Turning the TUNE knob more than two clicks skips several folders.

REPEAT (TRACK/FILE

REPEAT) — To continuously replay a track (file in MP3 or WMA mode), press and release the RPT button. You will see RPT in the display. Press the RPT button again to turn it off.

Pressing either side of the SEEK/SKIP bar also turns off the repeat feature.

In MP3 or WMA mode

FOLDER-REPEAT — This feature, when activated, replays all the files on the selected folder in the order they are compressed in MP3 or WMA. To activate folder repeat mode, press the RPT button. You will see F-RPT in the display. The system continuously replays the current folder. Press the RPT button again to turn it off. Pressing the RDM button, or selecting a different folder with the TUNE knob also turns off the repeat feature.

Each time you press and release the RPT button, the mode changes from file repeat to folder repeat, then to normal playing.

RANDOM (Random within a disc)

— This feature plays the tracks (all files in each holder in MP3 or WMA mode) within a disc in random order. To activate random play, press and release the RDM button. In MP3 or WMA mode, press the RDM button repeatedly to select Within a Disc Random Play. You will see RDM in the display. Press the RDM button again to return to normal play.

CONTINUED

Audio System (on vehicles without navigation system)

In MP3 or WMA mode

FOLDER-RANDOM — This feature, when activated, plays the files within a folder in random order, rather than in the order they are compressed in MP3 or WMA. To activate folder random play, press the RDM button. You will see F-RDM in the display. The system will then select and play files randomly. This continues until you deactivate folder random play by pressing the RDM button again, or you select a different folder with the TUNE knob.

Each time you press and release the RDM button, the mode changes from Folder Random Play to Within a Disc Random Play, then to normal playing.

SCAN — The SCAN function samples all the tracks on the disc in the order they are recorded on the disc (all files in the selected folder in MP3 or WMA mode). To activate the scan feature, press and hold the SCAN button until you hear a beep. You will see SCAN in the display. You will get a 10 second sampling of each track/file on the disc/folder. Press the SCAN button again to get out of scan mode and play the last track sampled.

Pressing either side of the SEEK/SKIP bar also turns off the scan feature.


In MP3 or WMA mode

F-SCAN — This feature, when activated, samples all the first files in each folder on the disc in the recorded order from the main folders. To activate the folder scan feature, press and release the SCAN button. You will see F-SCAN in the display. The system will then play the first file in the highest level folder for about 10 seconds. If you do nothing, the system will then play the following first files for 10 seconds each. When it plays a file that you want to continue listening to, press the SCAN button again.

Pressing either side of the SEEK/SKIP bar, or selecting a different folder with the TUNE knob also turns off the scan feature.

Each time you press and release the SCAN button, the mode changes from file scan to folder scan, then to normal playing.

To Stop Playing a Disc

Press the eject button () to remove the disc. If you eject the disc, but do not remove it from the slot, the system will automatically reload the disc after 10 seconds and put it in pause mode. To begin playing, press the CD button.

You can also eject the disc when the ignition switch is off.

To play the radio when a disc is playing, press the AM/FM button. Press the CD button again to switch back to the disc player.

To play the tape when a disc is playing, insert a tape in the player (optional). If a tape is in the player, press the AUX button. Press the CD button again to switch back to the disc player.

If you turn the system off while a disc is playing, either with the power/volume knob or by turning off the ignition switch, the disc will stay in the drive. When you turn the system back on, the disc will begin playing where it left off.

Operating the Optional Disc Changer

An optional six disc changer is available for your vehicle. This disc changer uses the same controls used for the in-dash disc player or the radio.

Load the desired discs in the magazine, and load the magazine in the changer according to the instructions that came with the unit.

To select the disc changer, press the CD/AUX button. The disc and track numbers will be displayed. To select a different disc, use the preset 1 (DISC -) button or the preset 2 (DISC +) button. To select the previous disc, press the preset 1 (DISC -), or the preset 2 (DISC +) to select the next disc in sequence.

CONTINUED

Audio System (on vehicles without navigation system)

If you select an empty slot in the magazine, the changer will search for the next available disc to load and play.

Operating the Optional MD Player/Changer (For some types)

An MD player or changer is available for your vehicle as optional equipment. This MD player/changer uses the same controls used for the in-dash disc player or the radio. Follow the instructions that came with the unit.

Protecting Discs

For information on how to handle and protect compact discs, see page 268 .

Disc Player Error Messages

The chart on the right explains the error messages you may see in the display while playing a disc.

If you see an error message in the display while playing a disc, press the eject button. After ejecting the disc, check it for damage or deformation. If there is no damage, insert the disc again.

If there is still a problem, the error message will appear again. Press the eject button, and pull out the disc.

Insert a different disc. If the new disc plays, there is a problem with the first disc. If the error message cycle repeats and you cannot clear it, take your vehicle to a dealer.

Error Message	Cause	Solution
<i>CD DISC ERR</i>	FOCUS Error	Press the eject button, and pull out the disc. Check if it is inserted correctly in the disc player. Make sure the disc is not scratched or damaged.
<i>CD MECH ERR</i>	Mechanical Error	Press the eject button, and pull out the disc. Check the disc for damage or deformation. If the disc cannot be pulled out, or the error message does not disappear after the disc is ejected, see your dealer.

Audio System (on vehicles without navigation system)

Optional Disc Changer Error Messages

The chart on the right explains the error messages you may see in the display while playing a disc.

If you see an error message in the display while playing a disc, press the eject button. After ejecting the disc, check it for damage or deformation. If there is no damage, insert the disc again.

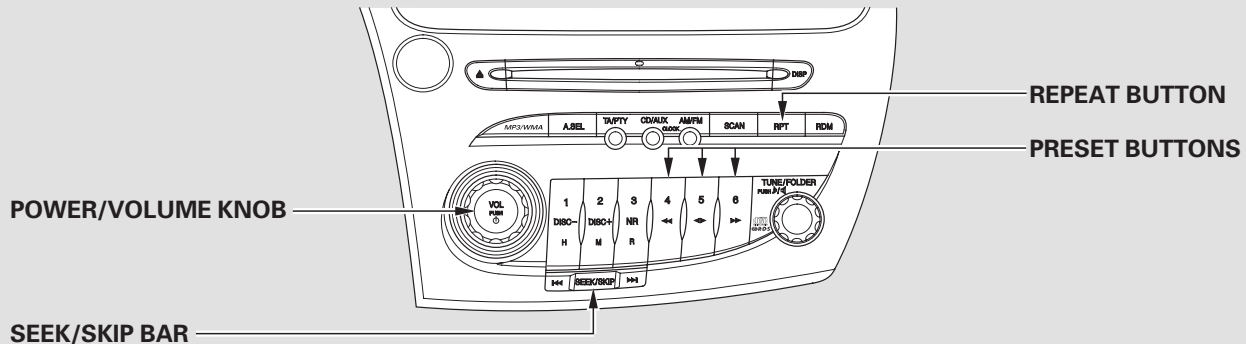
If there is still a problem, the error message will appear again. Press the eject button, and pull out the disc.

Insert a different disc. If the new disc plays, there is a problem with the first disc. If the error message cycle repeats and you cannot clear it, take your vehicle to a dealer.

Error Message	Cause	Solution
<i>CD DISC ERR</i>	FOCUS error	Press the magazine eject button and pull it out. If the message does not disappear or the magazine cannot be pulled out, see your dealer.
<i>CD MECH ERR</i>	Mechanical error	Press the magazine eject button and pull it out. Check for an error message, and insert the magazine again. If the message does not disappear or the magazine cannot be pulled out, see your dealer.

Audio System (on vehicles without navigation system)

Playing a Tape (Optional for some types)



Left-hand drive model is shown.

Audio System (on vehicles without navigation system)

To Play a Tape (Optional for some types)

The ignition switch must be in the ACCESSORY (I) or ON (II) position. Make sure the open side of the tape is facing right, then insert the tape most of the way into the slot. The system will pull the tape in the rest of the way, and begin to play it.

The tape direction indicator comes on to show you which side of the tape is playing. The \triangle indicates the side you inserted upward is now playing. If you want to play the other side, press the preset 5 ($\blacktriangleleft\blacktriangleright$) button. When the player reaches the end of the tape, it will automatically reverse direction and play the other side.

Dolby* noise reduction turns on when you insert a tape. The $\square\square$ indicator will come on in the display. If the tape was not recorded in Dolby, turn it off by pressing the NR button. Dolby remains off until you press the NR button again.

* Dolby noise reduction is manufactured under license from Dolby Laboratories Licensing Corporation. "DOLBY" and the double-D symbol $\square\square$ are trademarks of Dolby Laboratories Licensing Corporation.

To Stop Playing a Tape

To remove the tape, press the eject button on the tape player. If you want to turn the player off, press the power/volume knob or turn off the ignition switch. The tape will remain in the drive. When you turn the system back on, the tape player will be in pause mode. Press the preset 5 ($\blacktriangleleft\blacktriangleright$) button to resume play.

To switch to the radio or disc player while a tape is playing, press the AM/FM or CD/AUX button. To change back to the tape player, press the CD/AUX button again.

You can remove the tape with the ignition switch in any position, even if the audio system is off.

Tape Search Functions

FF/REW — To rewind the tape, push the preset 4 (\blacktriangleleft) button. You will see REW in the display. To fast forward the tape, push the preset 6 (\blacktriangleright) button. You will see FF displayed. Press the preset 4, 5, or 6 button to take the system out of rewind or fast forward.

SKIP — Press the ◀◀ side of the SEEK/SKIP bar to find the beginning of the current song or passage. Press the ▶▶ side to find the beginning of the next song or passage. When the system reaches the beginning of a song or passage, it begins to play it.

REPEAT — Press the RPT button to continuously play a song or passage. You will see RPT displayed. The track will repeat until you press the RPT button again.

NOTE: The skip and repeat functions use silent periods on the tape to find the end of a song or passage. These features may not work if there is almost no gap between selections, a high noise level, or a silent period in the middle of a selection.

Caring for the Tape Player

The tape player picks up dirt and oxides from the tape. This contamination builds up over time and causes the sound quality to degrade. To prevent this, you should clean the player after every 30 hours of use.

If you do not clean the tape player regularly, it may eventually become impossible to remove the contamination with a normal cleaning kit.

Use 100-minute or shorter tapes. Tapes longer than that may break or jam in the drive.

If the tape is loose, tighten it by turning the hub with a pencil or your finger. If the label is peeling off, remove it or it could cause the tape to jam in the player. Never try to insert a warped or damaged tape in the player.

Store tapes in their cases to protect them from dust and moisture. Never place tapes where they will be exposed to direct sunlight, high heat, or high humidity. If a tape is exposed to extreme heat or cold, let it reach a moderate temperature before inserting it into the player.

Never try to insert a foreign object into the tape player.

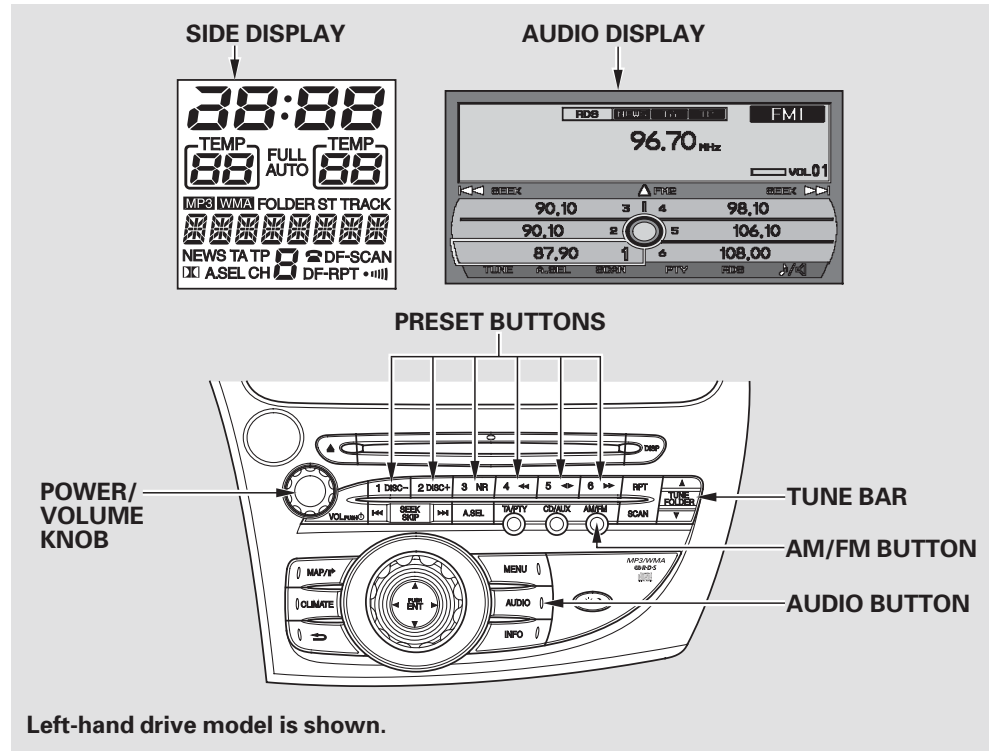
Audio System (on vehicles with navigation system)

Voice Control System

On vehicles with navigation system

In addition to the standard audio controls, the audio system in your vehicle can be operated using the voice control system. See the navigation system manual for complete details.

Playing the Radio



To Play the Radio

The ignition switch must be in the ACCESSORY (I) or ON (II) position. Turn the system on by pushing the power/volume knob or the AM/FM button. Adjust the volume by turning the power/volume knob.

Pushing the AUDIO button on the control panel will also turn on the system.

You can operate the audio system with the control buttons on the audio panel without displaying the audio control display on the navigation screen. The audio setting will be shown in the side display. When the navigation system is activated, you will also see the audio setting on the side display.

On the audio display of the navigation screen, you can scroll the display and enter the setting with the interface dial. You will see the indicator ▲, ▼, ►, or ◀ on the lower display. This indicates the direction to move the selector on the interface dial. For the information of how to use the interface dial, see page 188.

The band and frequency that the radio was last tuned to are displayed. On the audio control display of the navigation system and the side display, the broadcasting station name may also be displayed if the RDS is turned on (see page 243).

To change bands, press the AM/FM button, or push up the selector on the interface dial. Each time you press the button or push up the selector, the band will change to FM1, FM2, AM (MW) and LW. On the FM band, STEREO will be

displayed if the station is broadcasting in stereo (you will see ST on the side display).

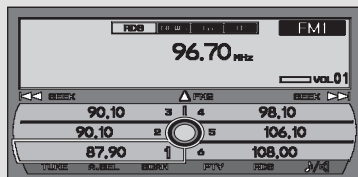
Stereo reproduction on AM is not available. On the AM band, AM noise reduction turns on automatically.

To Select a Station

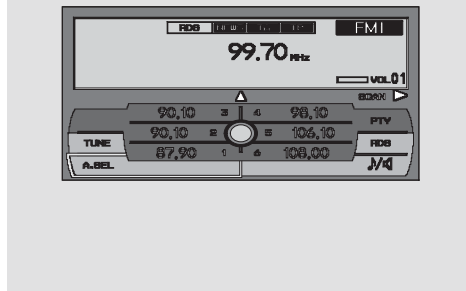
You can use any of five methods to find radio stations on the selected band: tune, seek, scan, the preset buttons, and auto select.

CONTINUED

Audio System (on vehicles with navigation system)

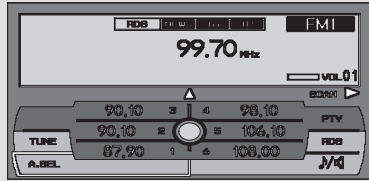


TUNE — Use the TUNE bar to tune the radio to a desired frequency. Press the ▲ side of the bar to tune to a higher frequency, and the ▼ side to tune to a lower frequency.



To tune the radio with the interface dial, push the selector down, then turn the dial to select the tune mode. Press the ENT on the interface dial, then turn the selector to the desired frequency. To exit the tune mode, press the ENT on the interface dial.

SEEK — The SEEK function searches up and down from the current frequency to find a station with a strong signal. To activate it, press and release the ◀◀ or ▶▶ side of the SEEK bar. With the interface dial, push the selector to the right or to the left.



SCAN – The scan function samples all stations with strong signals on the selected band. To activate it, press the SCAN button, then release it. You will see SCAN in the display. With the interface dial, push the selector down, then push it to the right to select the scan mode.

The system will scan for a station with a strong signal. When it finds one, it will stop and play that station for about 10 seconds.

If you do nothing, the system will scan for the next strong station and play it for 10 seconds. When it plays a station that you want to listen to, press the SCAN button again or push the selector on the interface dial to the right again.

Preset – Each preset button/icon can store one frequency on AM (MW) and LW, and two frequencies on FM. To view the preset frequencies, push the AUDIO button.

1. Select the desired band, AM (MW), LW or FM. FM1 and FM2 let you store two frequencies with each the preset button.
2. Use the tune, seek, or scan function to tune the radio to a desired station.
3. Pick a preset button, and hold it until you hear a beep.

To store the frequency on a preset icon, push the AUDIO button to view the audio control display, then turn the interface dial to select a desired preset icon. The selected preset icon will be highlighted. Press and hold the ENT on the dial for more than 2 seconds to enter the setting.

4. Repeat steps 1 through 3 to store a total of 6 stations on AM (MW) and LW, and 12 stations on FM.

CONTINUED

Audio System (on vehicles with navigation system)

AUTO SELECT — If you are travelling far from home and can no longer receive your preset stations, you can use the auto select feature to find stations in the local area.

Press the A.SEL button on the audio control panel. You will see A. SEL on the side display, and the system goes into the scan mode for several seconds. It stores the frequencies of six FM stations in the preset buttons/icons.

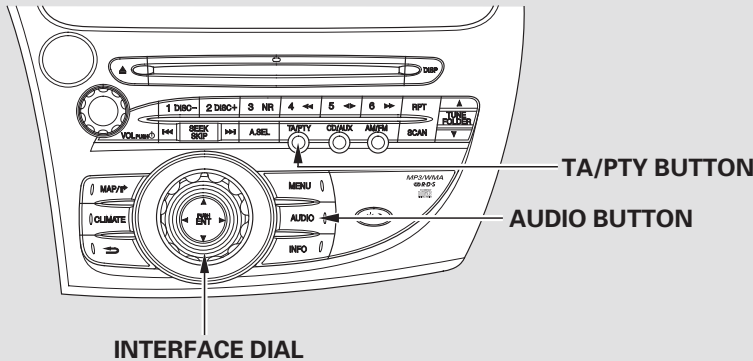
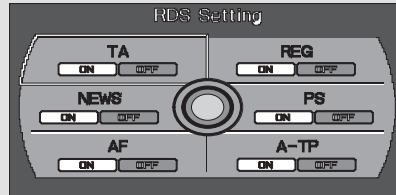
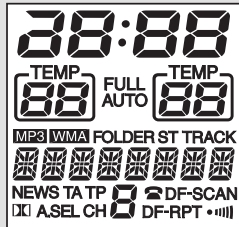
To activate the auto select with the interface dial, press the AUDIO button to view the audio control display, then push down the interface dial, then turn it to select A. SEL icon. Press the ENT on the dial to enter the setting. You will see AUTO SEL flashing in the display, and the system goes into scan mode for several seconds.

You will see a “0” displayed after pressing a preset button if auto select cannot find a strong station for that preset button.

If you do not like the stations auto select has stored, you can store other frequencies on the preset buttons as previously described.

To turn off auto select, press the A.SEL button or the ENT on the interface dial. This restores the presets you originally set.

With Radio Data System (RDS)



Left-hand drive model is shown.

Radio Data System (RDS)

With your audio system, you can utilize many convenient features provided by the radio data system (RDS).

With the FM band selected, you can keep listening to the same station even if its frequency changes as you enter different regions while you are travelling.

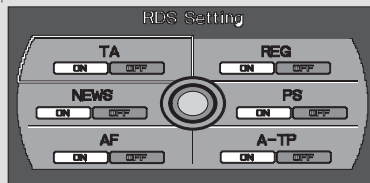
The RDS function turns on automatically when you turn the system on. If the station you are listening to is an RDS station, the frequency is displayed in the side display, and the station name will be displayed in the audio display on the navigation screen.

CONTINUED

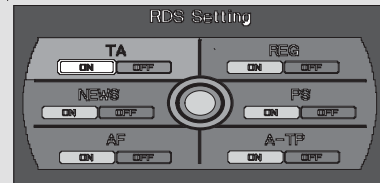
Audio System (on vehicles with navigation system)

Then, the system will automatically keep selecting the frequency with the strongest signal from the frequencies that carry the same programs. This can save you the trouble of retuning to obtain the same station as long as you are in the same RDS network area.

RDS SETTING



You can turn the RDS function on or off and select the RDS programs. To use the function and select the program, press the AUDIO button on the control panel to view the audio display. Push down the selector on the interface dial, then turn the dial to select RDS.



TA ON is selected.

Press the ENT on the dial to enter the RDS setting. You will see the six selectable RDS settings on the display. Turn the interface dial to select any of the RDS functions, then press the ENT on the dial to enter your setting.

Selectable settings are described in the following. Pushing the selector or turning the dial to the left or right switches the function between on and off.

Audio System (on vehicles with navigation system)

AF ON/OFF: Alternative frequency function on or off

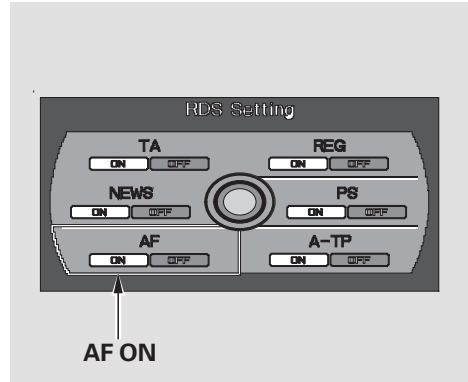
NEWS ON/OFF: News program on or off

TA ON/OFF: Traffic announcement on or off

REG ON/OFF: Regional program on or off

PS ON/OFF: Program service function on or off

A-TP ON/OFF: Automatic traffic program on or off



To turn on the RDS, select AF ON by turning the interface dial. To turn off the RDS, select AF OFF. Press the ENT on the interface dial to store the setting.

AF (Alternative Frequency) — This function automatically selects a frequency with the same program in the RDS network area.

NEWS (News Program) — This function automatically tunes to the radio station which is broadcasting the newscast.

TA (Traffic Announcement Standby) — This function will make the system stand by for traffic announcements. This function can also be turned on or off by pressing the TA/PTY button on the audio control panel.

REG (Regional Program) — This function keeps the regional program and does not change the frequency even if the signal becomes too weak.

PS (Program Service Display) — This function shows the radio station name which you are listening to.

CONTINUED

Audio System (on vehicles with navigation system)

A-TP (Automatic Traffic Information Program) – This function automatically tunes to the radio station which is broadcasting the traffic information.

The system will return to the audio display about 5 seconds after you stop selecting the function. Pushing down the selector also cancels this selecting mode.

When the signals of the RDS station become so weak that the system can no longer follow the station, the system will hold the last tuned frequency and the display will change from the station name to the frequency.

In some countries, you cannot utilize features provided by RDS as the RDS function is not provided for all stations.

Program Service Name Display

If the station you are listening to is an RDS station, the frequency display will disappear and the station name or PTY information will be displayed. Press the TA/PTY button for more than 2 seconds to switch the display between the name of network/station and the PTY information. For more information on the PTY, see page 247 .

TA (Traffic Announcement) Standby Function

When you press and release the TA/PTY button on the audio control panel, TA comes on in the display and the system stands by for traffic announcements.

When the automatic traffic information program (A-TP ON) is selected, TP will come on in the display. This indicates that the traffic reports can be received from the traffic information broadcasting

station.

A-TP cross-references other program services that broadcast traffic information, and the traffic reports can be received through another program service in the RDS network area.

You can receive traffic information while you are listening to a disc or tape (if equipped). If the system is tuned to a TP station before playing a disc or tape, the system will stand by for traffic announcements by pressing the TA/PTY button (TA indicator is on) and the system will switch from disc or tape to the traffic announcement when it begins. You will also see “TA INFO” in the display. The system will return to the disc or tape mode when the traffic information is finished.

To adjust the volume of the traffic announcement, turn the power/volume knob while the announcement is broadcasting. The adjusted volume level will be stored, then that level will be used on the next traffic announcement. You cannot adjust the volume below the minimum level. The volume of the PTY NEWS or the PTY ALARM function can also be adjusted (see page 251).

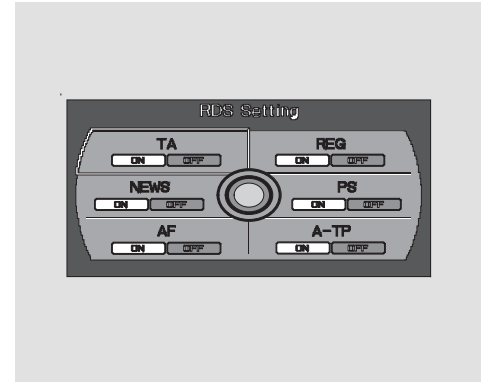
If your vehicle's battery goes dead, or is disconnected, the traffic announcement volume level will be reset to the default setting (level 9).

To turn off the TA function, press the TA/PTY button again. TA will go out from the display. You can also turn the TA function on or off on the audio display on the navigation screen (see page 244).

If you use seek or auto select with the TA function on, the system searches only TP stations.

PTY (Program Type) Display Function

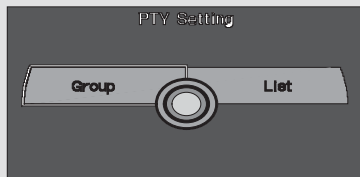
This function shows you the program type of the selected RDS station. For example, if the station is broadcasting drama, DRAMA is shown in the display. If it is a station of scientific programs, SCIENCE is shown. The principal PTYs are shown on page 249 .



Press the AUDIO button on the control panel to view the audio display on the navigation screen, then push down the selector on the interface dial to select the function display. Turn the dial to select the PTY, then press the ENT on the interface dial.

CONTINUED

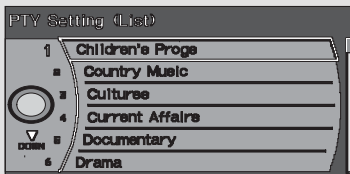
Audio System (on vehicles with navigation system)



You will see the PTY setting: Group and List. You can select the desired PTY program either of the group or the list. Select the setting by turning the interface dial or pushing the selector to the right or left.

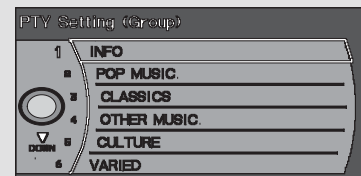
When the TA/PTY button on the audio control panel is pressed for more than 2 seconds, the PTY display function also comes on.

LIST MODE



Select the list or group mode, then press the ENT on the interface dial to enter the setting. You will see the selectable items on the display. Push the selector up to move to the next display, and down to go back to the previous display. Turn the interface dial to select the desired PTY program. Press the ENT on the dial to enter your selection.

GROUP MODE



Audio System (on vehicles with navigation system)

The principal PTYs are shown as follows.

NEWS: Short accounts of facts, events, publicly expressed views, reportage, etc.

CURRENT AFFAIRS: Topical programs expanding upon the news.

INFORMATION: General information and advice.

SPORT: Programs concerned with any aspect of sports.

EDUCATION: Educational programs.

DRAMA: All radio plays and serials.

CULTURES: Programs concerned with any aspect of national or regional culture.

SCIENCE: Programs about nature, science, and technology.

VARIED SPEECH: Light entertainment programs.

POP MUSIC: Commercial music of popular appeal.

ROCK MUSIC: Contemporary modern music.

EASY LISTENING: Light music.

LIGHT CLASSICS M: Light classics; classical music for non-specialist appreciation.

SERIOUS CLASSICS: Traditional classics.

OTHER MUSIC: Other types of music, such as R & B, Reggae.

WEATHER/METR: Weather information.

FINANCE: Programs concerned with economy.

CHILDREN'S PROGS: Programs for children.

PHONE IN: Programs consisting of listener's message

TRAVEL/TOURING: Programs concerned with travel.

JAZZ MUSIC: Jazz music.

COUNTRY: Country music.

NATION M: National music.

OLDIES M: Oldies music, "Golden age" based programs.

FOLK MUSIC: Folk music.

SOCIAL: Social affairs programs.

RELIGION: Programs concerned with religion.

DOCUMENTARY: Documentary programs.

LEISURE: Programs about hobbies and recreational activities.

CONTINUED

Audio System (on vehicles with navigation system)

PTY Group

INFORMATION: General information and advice.

CULTURE: Programs concerned with any aspect of national or regional culture.

VARIED: Light entertainment programs.

POP MUSIC: Commercial music of popular appeal.

CLASSICS: Traditional classics.

OTHER MUSIC: Other types of music, such as R & B, Reggae.

After you select the desired program type, the system will search for a station with the same PTY code as the selected program type. When you use this function for the first time, NEWS will appear as it was preset at the factory.

After your desired PTY is displayed, press either side of the SEEK/SKIP bar within 5 seconds. The system will go into the PTY search mode and search for a station of the selected PTY. If there is no station available in the selected PTY, NO PTY is displayed for about 5 seconds and the PTY search mode is cancelled.

If the selected RDS station does not transmit PTY data, NO PTY is displayed. When the selected station is not an RDS station, NO RDS is displayed for about 5 seconds.

The PTY setting mode is cancelled if no further steps are taken within 5 seconds after selecting the desired PTY with the interface dial.

Some stations may broadcast the programs with different contents from their PTY code.

In the PTY search mode, the tuning step is set to 50 kHz while searching on the FM band. This step changes to 100 kHz when the AF or TA function is activated.

PTY/News Interrupt Function

To activate this function, press the AUDIO button on the control panel to view the audio display on the navigation screen, then push down the selector on the interface dial to select the function display. Turn the dial to select the PTY, then press the ENT on the interface dial.

The PTY display function also comes on by pressing and holding the TA/PTY button on the audio control panel for more than 2 seconds.

Turn the interface dial to select NEWS, then press the ENT to enter the selection. Push the selector or turn the dial to select ON, then press the ENT to enter the setting. You will see NEWS in the audio display and the side display.

The system will hold the last tuned FM station/network PTY while you are listening to the disc. With this function on, playing disc is interrupted and the system switches from disc mode to the FM newscast when the newscast is broadcasting from the FM station.

You can change the volume level of the interrupted newscast. Refer to page 247 for how to adjust the volume level.

When the program is changed to another program or the frequency cannot be received for 10 seconds due to a weak signal, the system will return to the disc mode automatically.

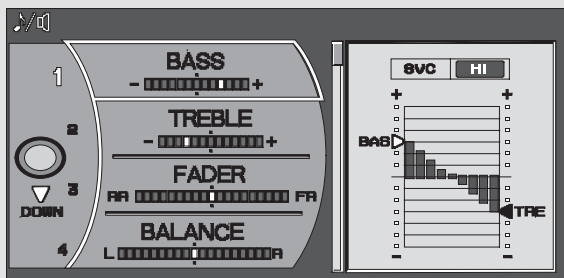
Your audio system has another interrupt function (including TA function). The first activated interrupt function has priority over the others and the indication of the other interrupt function goes out. To activate the other interrupt function, turn off the current interrupt function.


PTY Alarm

PTY code “ALARM” is used for emergency announcements, such as natural disasters. When this code is received, “ALARM” comes on the display and the volume is changed. When the alarm is cancelled, the system will return to the normal operation mode.

Audio System (on vehicles with navigation system)

Adjusting the Sound



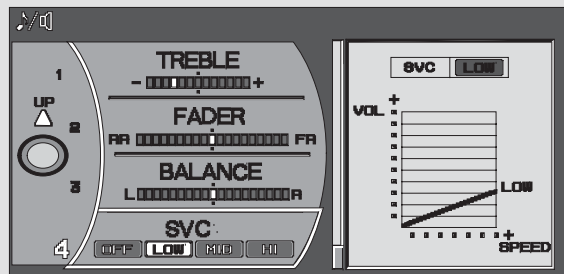
You can adjust the sound on the navigation screen. To adjust the sound, push the **AUDIO** button on the control panel, then push down the selector. Turn the interface dial to select the  (sound mode), then press the **ENT** on the dial to enter the sound grid.

BASS – Adjusts the bass.

TREBLE – Adjusts the treble.

FADER – Adjusts the front-to-back strength of the sound.

BALANCE – Adjusts the side-to-side strength of the sound.



To adjust each setting, turn the interface dial to select the setting you want to adjust, then press the **ENT** on the dial. The current setting is shown on the display.

In balance and fader setting, the right lower display shows you the current setting of the sound strength coming from each speaker. In bass and treble setting, the display shows you the setting with the vertical bars.

Turn the interface dial to the right or the left to adjust the sound level, then press ENT to enter your setting.

SVC – Adjusts the volume level according to the vehicle speed.

Speed-sensitive Volume Compensation (SVC) System

This audio system has the speed sensitive volume compensation (SVC) system. There are four compensation levels; LOW, MID (medium), HIGH and OFF. The system monitors the vehicle speed and changes the volume level as the vehicle speed goes up. The faster you go, the louder the audio volume becomes. As you slow down, the

audio volume decreases.

If your vehicle's battery is disconnected or goes dead, the SVC may be reset to the default setting "MID".

To select any of the four settings, turn the interface dial to select SVC, then press the ENT on the dial. The current setting is shown on the display. Turn the interface dial to the right or the left to select the setting, then press the ENT to enter it.

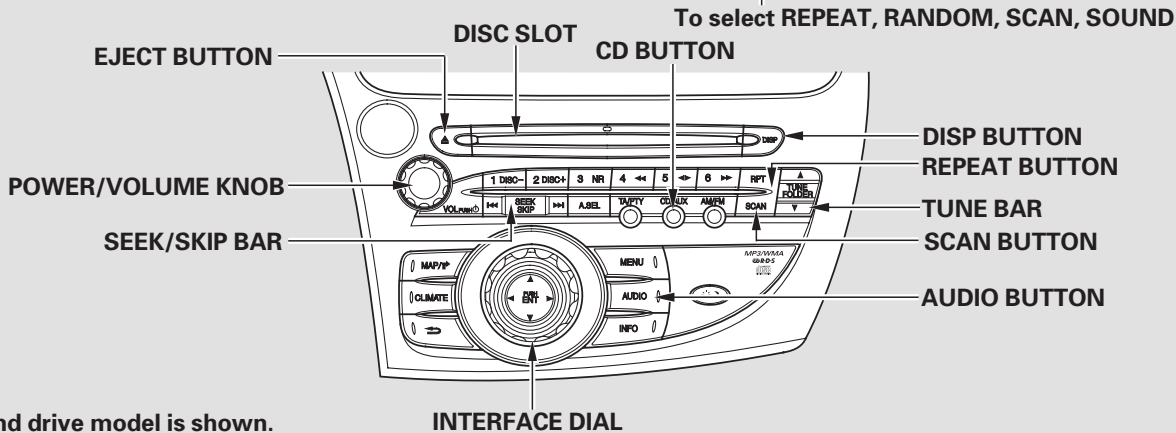
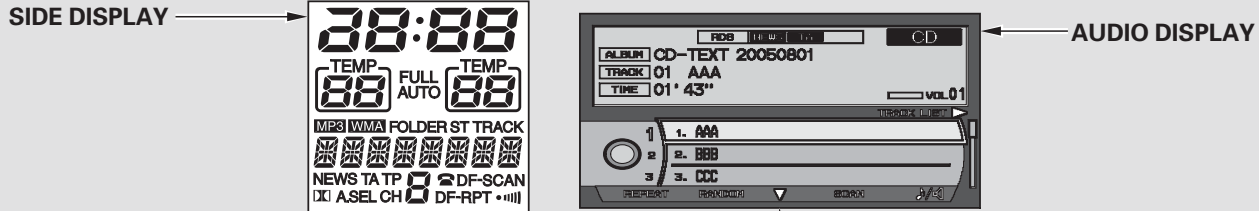
The system will return to the audio display about 5 seconds after you stop adjusting a mode.

Audio System Lighting

You can use the instrument panel brightness control knob to adjust the illumination of the audio control panel (see page 144). The audio system illuminates when you turn the ignition switch to the ON (II) position, even if the radio is off.

Audio System (on vehicles with navigation system)

Playing a Disc



Left-hand drive model is shown.

To Play a Disc

You operate the disc player with the same controls used for the radio. To load or play discs, the ignition switch must be in the ACCESSORY (I) or ON (II) position.

NOTICE

Do not use discs with adhesive labels. The label can curl up and cause the disc to jam in the unit.

This audio system can also play CD-Rs and CD-RWs compressed in MP3 or WMA standard. When playing a disc in MP3, you will see “MP3” on the audio display and the side display. In WMA format, “WMA” will appear on each display. You can select a folder up to 99 and play a track up to 255. If the disc has a complex structure, it will be a while to read the disc before the system begins to play it.

Video CDs and DVD discs will not work in this unit.

The specifications of the compatible MP3 file are:

- Sampling frequency:
32/44.1/48 kHz
- Bit rate: 32/40/48/56/64/80/96/
112/128/160/192/224/
256/320 kbps
- Compatible with variable bit rate
and multi-session
- Maximum layers
(including ROOT): 8 layers

The specifications of the compatible WMA file are:

- Sampling frequency: 32/44.1/48
kHz
- Bit rate: 48/64/80/96/
128/160/192 kbps
- Compatible with variable bit rate
and multi-session.
- Maximum layers
(including ROOT): 8 layers

In a disc compressed in WMA standard, the DRM (digital rights management) file cannot be played. If the system finds the DRM file in a disc, you will see “CD FORMAT” in the display for a few seconds. The system searches the next available folder or file and plays it.

CONTINUED

Audio System (on vehicles with navigation system)

To Load a Disc

Insert a disc about halfway into the disc slot. The drive will pull the disc in the rest of the way and begin to play it.

You cannot load and play 8-cm (3-inch) discs in this system.

When playing a CD with data text, the track and album titles are also shown. When playing a disc in MP3 or WMA, the album name, the file number and name, the folder number and name, and the elapsed time are shown. The system will continuously play a disc until you change modes. If the disc was not recorded with this information, it will not be displayed.

When Playing a CD without data text, the number of the track playing and the elapsed time are shown in the display.

You can operate the audio system with the control buttons on the audio panel without displaying the audio control display on the navigation screen. The audio setting will be shown in the side display. When the navigation system is activated, you will also see the audio setting on the side display.

Press the AUDIO button on the control panel to show the audio display of the navigation screen. You can scroll the display and enter the setting with the interface dial. You will see the indicator ▲, ▼, ►, or ◀ on the lower display. This indicates the direction to move the selector on the interface dial. For the information of how to use the interface dial, see page 188.

To Change or Select Tracks/Files

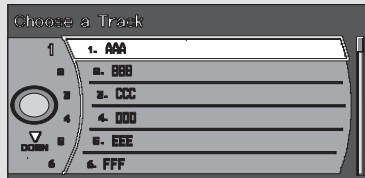
You can use the SEEK/SKIP bar while a disc is playing to select passages and change tracks (files in MP3/WMA mode).

In MP3 or WMA mode, use the TUNE bar to select folders in the disc and use the SEEK/SKIP bar to change files.

SEEK/SKIP — Each time you press and release the ►► side of the SEEK/SKIP bar, the player skips forward to the beginning of the next track (file in MP3 or WMA mode). Press and release the ◄◄ side, to skip backward to the beginning of the current track. Press it again to skip to the beginning of the previous track.

To move rapidly within a track or file, press and hold the ►► or ◄◄ side of the SEEK/SKIP bar.

Using a Track List



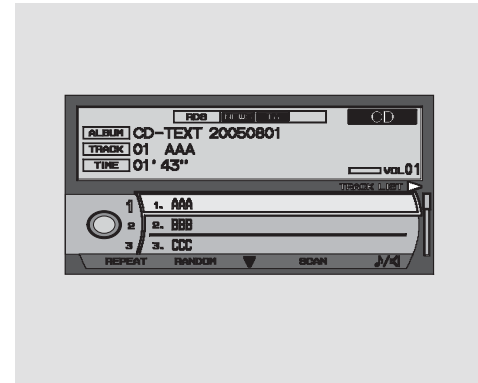
You can also select a track from the track list on the audio display. Press the AUDIO button to view the audio display, then push the selector on the interface dial to the right to select the track list. The current track is highlighted. To select a track, turn the interface dial, then press the ENT on the dial to enter your selection.

On the track list, a track name will not be displayed if the disc doesn't have the text data. In this case, only the track number is displayed.

To exit the track list, press the AUDIO button or pushing the selector to the left.

In MP3 or WMA mode

FOLDER SELECTION – To select a different folder, press either side of the TUNE bar, to move to the beginning of the next folder. Press to ▲ to skip to the next folder, and ▼ to move to the beginning of the current folder. Press it again to skip to the beginning of the previous folder.

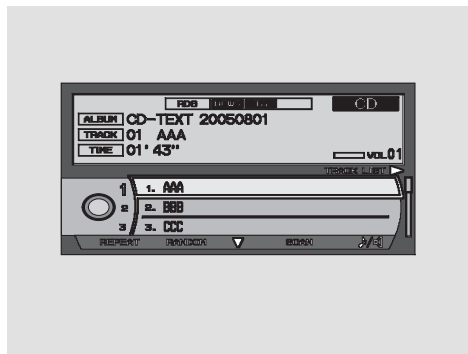


You can also select a folder on the audio display. Press the AUDIO button to view the audio display, then turn the interface dial to the right or the left to select the desired folder. The current folder is highlighted. To see other folders, change the display with the selector on the interface dial. Push it up to show the next display, and down to the previous display. Press the ENT on the dial to enter your selection.

REPEAT (TRACK/FILE

REPEAT) — To continuously replay a track (file in MP3 or WMA mode), press and release the RPT button. You will see RPT in the side display. Press the RPT button again to turn it off.

Pressing either side of the SEEK/SKIP bar also turns off the repeat feature.

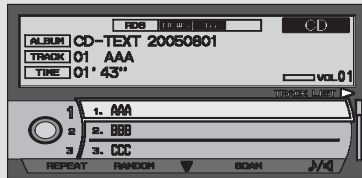


You can also select the repeat function on the audio display. Press the AUDIO button to view the audio display, then push down the selector on the interface dial. Turn the interface dial to select the track repeat. Press the ENT on the dial to enter your selection. You will see REPEAT on the display. To turn off this feature, select the track repeat as previously described, then press the ENT again. Pressing the RPT button on the control panel repeatedly also cancels this function.

In MP3 or WMA mode

FOLDER-REPEAT — This feature, when activated, replays all the files on the selected folder in the order they are compressed in MP3 or WMA. To activate folder repeat mode, press the RPT button. You will see F-RPT in the side display. The system continuously replays the current folder. Press the RPT button again to turn it off. Selecting a different folder with the TUNE bar also turns off the repeat feature.

Each time you press and release the RPT button, the mode changes from file repeat to folder repeat, then to normal playing.



You can also select the folder repeat function on the audio display. Press the AUDIO button to view the audio display, then push down the selector on the interface dial. Turn the interface dial to select the folder repeat. Press the ENT on the dial to enter your selection. You will see FOLDER REPEAT on the display. To turn off this feature, select the folder repeat as previously described, then press the ENT again. Pressing the RPT button on the control panel

repeatedly also cancels this function.

RANDOM (Random within a disc) — This feature plays the tracks (all files in each holder in MP3 or WMA mode) within a disc in random order.



To activate Random Play, press the AUDIO button to view the audio display, then push down the selector on the interface dial. Turn the interface dial to select the track random. Press the ENT on the dial

to enter your selection. You will see RANDOM on the display. To turn off this feature, select the track random as previously described, then press the ENT again.

In MP3 or WMA mode

FOLDER-RANDOM — This feature, when activated, plays the files within a folder in random order, rather than in the order they are compressed in MP3 or WMA. To activate Folder Random play, press the AUDIO button to view the audio display, then push down the selector on the interface dial. Turn the interface dial to select the folder random. Press the ENT on the dial to enter your selection. You will see FOLDER RANDOM on the display. To turn off this feature, select the folder random as previously described, then press the ENT again.

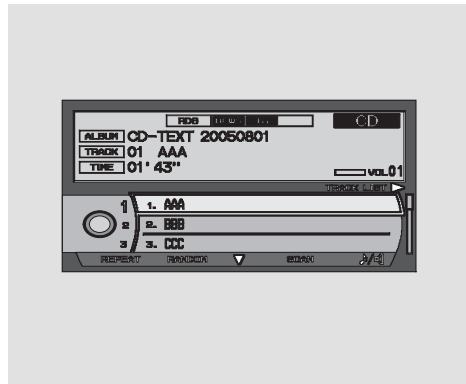
CONTINUED

Audio System (on vehicles with navigation system)

Selecting a different folder with the TUNE bar also deactivates this function.

SCAN — The SCAN function samples all tracks on the disc in the order they are recorded on the disc (all files in MP3 or WMA mode). To activate the scan feature, press and release the SCAN button. You will see SCAN in the side display. You will get a 10 second sampling of each track/file on the disc. Press the SCAN button again to get out of scan mode and play the last track sampled.

Pressing either side of the SEEK/SKIP bar also turns off the scan feature.



You can also select the scan feature on the audio display. Press the AUDIO button to view the audio display, then push down the selector on the interface dial. Push the selector to the right to select the scan feature. You will see SCAN blinking on the display. To turn off this feature, push the selector to the right again.

To Stop Playing a Disc

Press the eject button (▲) to remove the disc. If you eject the disc, but do not remove it from the slot, the system will automatically reload the disc after 10 seconds and put it in pause mode. To begin playing, press the CD button.

You can also eject the disc when the ignition switch is off.

To play the radio when a disc is playing, press the AM/FM button. Press the CD button again to switch back to the disc player.

To play the tape when a disc is playing, insert a tape in the player (optional). If a tape is in the player, press the AUX button. Press the CD button again to switch back to the disc player.

If you turn the system off while a disc is playing, either with the power/volume knob or by turning off the ignition switch, the disc will stay in the drive. When you turn the system back on, the disc will begin playing where it left off.

Operating the Optional Disc Changer

An optional six disc changer is available for your vehicle. This disc changer uses the same controls used for the in-dash disc player or the radio.

You cannot select the controls on the audio display of the navigation system. The audio setting will be displayed only in the side display. The text data cannot be displayed in the side display, so you can see the disc and track/file numbers only.

Load the desired discs in the magazine, and load the magazine in the changer according to the instructions that came with the unit.

To select the disc changer, press the CD/AUX button. The disc and track/file numbers will be displayed. To select a different disc, use the preset 1 (DISC -) button or the

preset 2 (DISC +) button. To select the previous disc, press the preset 1 (DISC -), or the preset 2 (DISC +) to select the next disc in sequence.

If you select an empty slot in the magazine, the changer will search for the next available disc to load and play.

Operating the Optional MD Player/Changer (For some types)

An MD player or changer is available for your vehicle as optional equipment. This MD player/changer uses the same controls used for the in-dash disc player or the radio. Follow the instructions that came with the unit.

Protecting Discs

For information on how to handle and protect compact discs, see page 268 .

Disc Player Error Messages

The chart on the right explains the error messages you may see in the display while playing a disc.

If you see an error message in the display while playing a disc, press the eject button. After ejecting the disc, check it for damage or deformation. If there is no damage, insert the disc again.

If there is still a problem, the error message will appear again. Press the eject button, and pull out the disc.

Insert a different disc. If the new disc plays, there is a problem with the first disc. If the error message cycle repeats and you cannot clear it, take your vehicle to a dealer.

Error Message	Cause	Solution
<i>CD DISC</i>	FOCUS error	Press the eject button, and pull out the disc. Check if it is inserted correctly in the disc player. Make sure the disc is not scratched or damaged.
<i>CD ERR</i>	Mechanical error	Press the eject button, and pull out the disc. Check the disc for damage or deformation. If the disc cannot be pulled out, or the error message does not disappear after the disc is ejected, see your dealer.

Audio System (on vehicles with navigation system)

Optional Disc Changer Error Messages

The chart on the right explains the error messages you may see in the display while playing a disc.

If you see an error message in the display while playing a disc, press the eject button. After ejecting the disc, check it for damage or deformation. If there is no damage, insert the disc again.

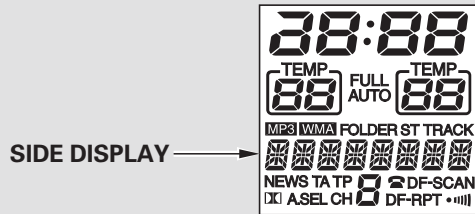
If there is still a problem, the error message will appear again. Press the eject button, and pull out the disc.

Insert a different disc. If the new disc plays, there is a problem with the first disc. If the error message cycle repeats and you cannot clear it, take your vehicle to a dealer.

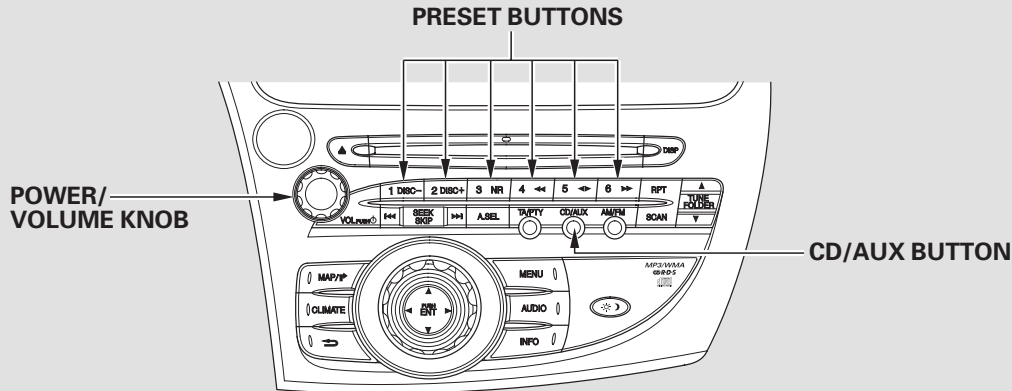
Error Message	Cause	Solution
<i>CD DISC</i>	FOCUS error	Press the eject button, and remove the disc(s). Check for an error message. Insert the disc(s) again. If the message does not disappear or the disc(s) cannot be removed, consult your dealer.
<i>CD ERR</i>	Mechanical error	Press the eject button, and remove the disc(s). Check for an error message. Insert the disc(s) again. If message does not disappear or the disc (s) cannot be removed, consult your dealer.

Audio System (on vehicles with navigation system)

Playing a Tape (Optional for some types)



The audio display is not available.



Left-hand drive model is shown.

Audio System (on vehicles with navigation system)

To Play a Tape (Optional for some types)

The ignition switch must be in the ACCESSORY (I) or ON (II) position. Make sure the open side of the tape is facing right, then insert the tape most of the way into the slot. The system will pull the tape in the rest of the way, and begin to play it.

The tape direction indicator comes on to show you which side of the tape is playing. The \triangle indicates the side you inserted upward is now playing. If you want to play the other side, press the preset 5 ($\blacktriangleleft\blacktriangleright$) button. When the player reaches the end of the tape, it will automatically reverse direction and play the other side.

You cannot select the controls on the audio display of the navigation system. The audio setting will be displayed only in the side display. The text data cannot be displayed in the side display, so you can see the disc and track/file numbers only.

Dolby* noise reduction turns on when you insert a tape. The \square indicator will come on in the display. If the tape was not recorded in Dolby, turn it off by pressing the NR button. Dolby remains off until you press the NR button again.

* Dolby noise reduction is manufactured under license from Dolby Laboratories Licensing Corporation. "DOLBY" and the double-D symbol \square are trademarks of Dolby Laboratories Licensing Corporation.

To Stop Playing a Tape

To remove the tape, press the eject button on the tape player. If you want to turn the player off, press the power/volume knob or turn off the ignition switch. The tape will remain in the drive. When you turn the system back on, the tape player will be in pause mode. Press the preset 5 ($\blacktriangleleft\blacktriangleright$) button to resume play.

To switch to the radio or disc player while a tape is playing, press the AM/FM or CD/AUX button. To change back to the tape player, press the CD/AUX button again.

You can remove the tape with the ignition switch in any position, even if the audio system is off.

Tape Search Functions

FF/REW — To rewind the tape, push the preset 4 (◀) button. You will see REW in the display. To fast forward the tape, push the preset 6 (▶) button. You will see FF displayed. Press the preset 4, 5, or 6 button to take the system out of rewind or fast forward.

SKIP — Press the ◀◀ side of the SEEK/SKIP bar to find the beginning of the current song or passage. Press the ▶▶ side to find the beginning of the next song or passage. When the system reaches the beginning of a song or passage, it begins to play it.

REPEAT — Press the RPT button to continuously play a song or passage. You will see RPT displayed. The track will repeat until you press the RPT button again.

NOTE: The skip and repeat functions use silent periods on the tape to find the end of a song or passage. These features may not work if there is almost no gap between selections, a high noise level, or a silent period in the middle of a selection.

Caring for the Tape Player

Damaged tapes can jam inside the drive or cause other problems. See page 237 for information on tape player care and protection.

Protecting Your Discs

General Information

- When using CD-R or CD-RW discs, use only high quality discs labelled for audio use.
- When recording a CD-R or CD-RW, the recording must be closed for it to be used by the system.
- Play only standard round discs. Odd-shaped discs may jam in the drive or cause other problems.
- Handle your discs properly to prevent damage and skipping.

NOTICE

Do not use discs with adhesive labels. The label can curl up and cause the disc to jam in the unit.

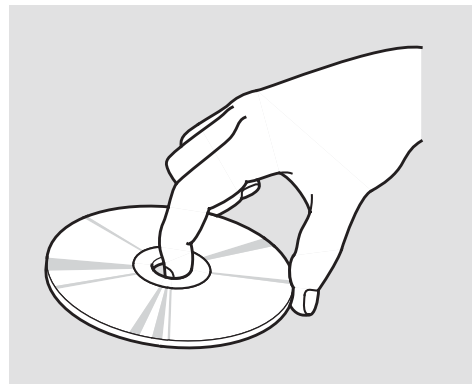
Protecting Discs

When a disc is not being played, store it in its case to protect it from dust and other contamination. To prevent warpage, keep discs out of direct sunlight and extreme heat.

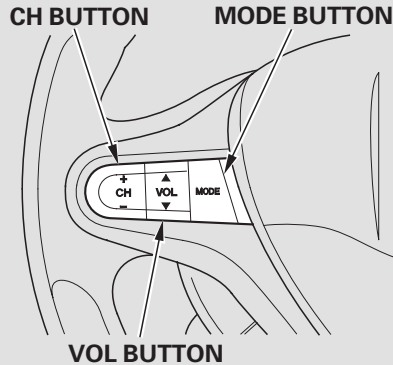
To clean a disc, use a clean soft cloth. Wipe across the disc from the centre to the outside edge.

A new disc may be rough on the inner and outer edges. The small plastic pieces causing this roughness can flake off and fall on the recording surface of the disc, causing skipping or other problems. Remove these pieces by rubbing the inner and outer edges with the side of a pencil or pen.

Never try to insert foreign objects in the disc player.



Handle a disc by its edges; never touch either surface. Do not place stabilizer rings or labels on the disc. These, along with contamination from fingerprints, liquids, and felt-tip pens, can cause the disc to not play properly, or possibly jam in the drive.



Three controls for the audio system are mounted in the steering wheel hub. These let you control basic functions without removing your hand from the wheel.

The VOL button adjusts the volume up (▲) or down (▼). Press the top or bottom of the button, hold it until the desired volume is reached, then release it.

The MODE button changes the mode. Pressing the button repeatedly selects FM, AM (MW), LW, disc (if a disc is loaded), or a tape (if equipped). You can select FM1 and FM2 when the auto select feature is not used.

If you are listening to the radio, use the CH button to change stations. Each time you press and release the top (+) of the button, the system goes to the next preset station on the band you are listening to. Press and release the bottom (-) to go back to the previous station.

To activate the seek function, press and hold the top (+) or bottom (-) of the CH button until you hear a

beep. The system searches up or down from the current frequency to find a station with a strong signal.

If you are playing a disc, the system skips to the beginning of the next track file in MP3 or WMA mode each time you press the top (+) of the CH button. Press the bottom (-) to return to the beginning of the current track or file. Press it twice to return to the previous track or file. You will see the track number (file number in MP3 or WMA mode) and the elapsed time. On vehicles with navigation system, the information shows in the side display.

In MP3 or WMA mode, you can use the seek function to select folders. Press and hold the top (+) of the CH button until you hear a beep, to skip forward to the first file of the next folder. Press the bottom (-) to skip backward to the previous folder.

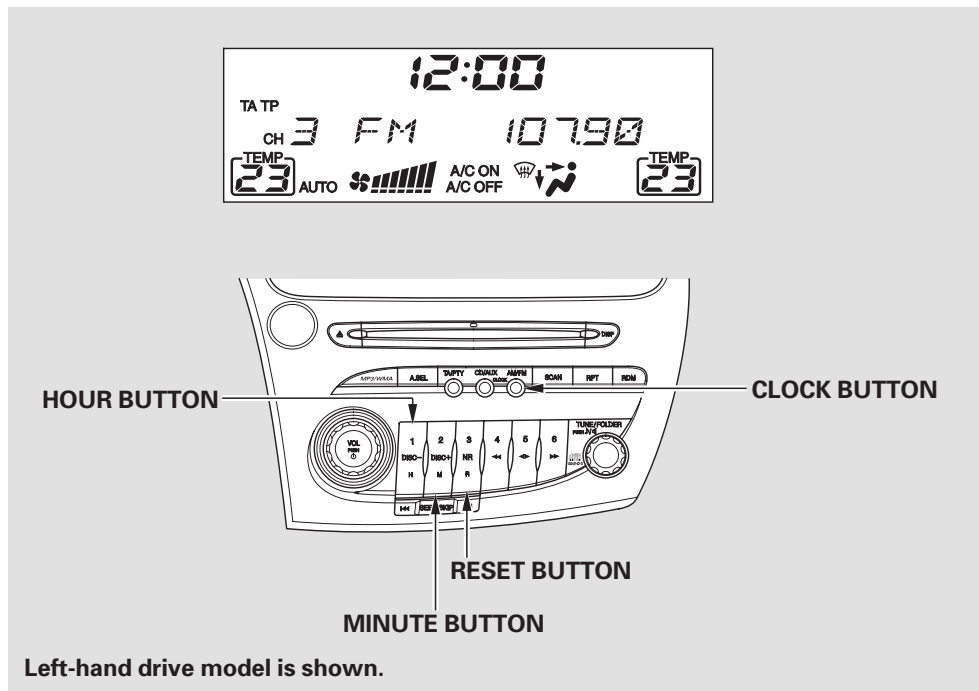
CONTINUED

Remote Audio Controls, Setting the Clock

If you are playing a tape in the optional tape player, press the top (+) of the CH button to advance to the next selection. Press the bottom (-) to go back to the previous selection. The system senses a silent period, then resumes playing.

Setting the Clock

*On vehicles with audio system
(without navigation system)*



If your vehicle's battery is disconnected or goes dead, you may need to set the clock.

To set the time, press the CLOCK (AM/FM) button until the clock display begins to blink, then release the button. The displayed time begins to blink.

Change the hour by pressing the H (preset 1) button until the numbers advance to the desired time. Change the minute by pressing the M (preset 2) button until the numbers advance to the desired time.

Press the CLOCK button again to enter the set time.

You can quickly set the time to the nearest hour. If the displayed time is before the half hour, pressing the CLOCK button until you hear a beep, then pressing the R (preset 3) button sets the clock back to the previous hour. If the displayed time is after the half hour, the clock sets forward to the beginning of the next hour.

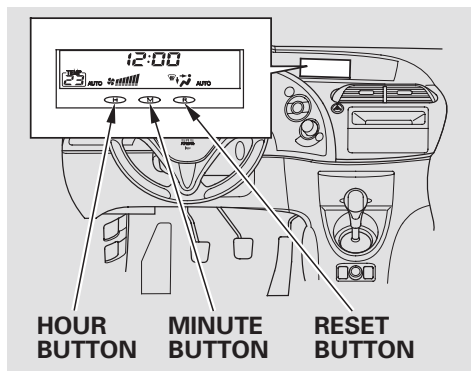
For example: 1:06 will reset to 1:00
1:53 will reset to 2:00

On vehicles with navigation system
The navigation system receives signals from the global positioning system (GPS), and the displayed time is updated automatically by the GPS. Refer to the navigation system manual for how to adjust the time.

CONTINUED

Setting the Clock

On vehicles without audio system



numbers advance to the desired time.

You can quickly set the time to the nearest hour. If the displayed time is before the half hour, pressing the R button sets the clock back to the previous hour. If the displayed time is after the half hour, the clock sets forward to the beginning of the next hour.

For example: 1:06 will reset to 1:00
1:53 will reset to 2:00

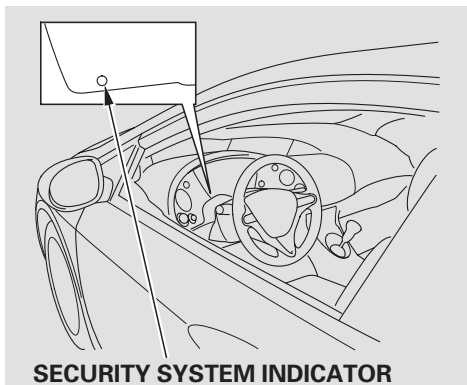
If your vehicle's battery is disconnected or goes dead, you may need to set the clock.

To set the time, turn the ignition switch to the ON (II) position to display the time.

Change the hour by pressing the H button until the numbers advance to the desired time. Change the minute by pressing the M button until the

The security system helps to protect your vehicle and valuables from theft. The horn sounds (the beeping alarm on vehicles with ultrasonic sensor) and the turn signal lights flash if someone attempts to break into your vehicle or remove the audio display unit. This alarm continues for 30 seconds, then the system resets.

To turn off an alarming system before 30 seconds have elapsed, unlock the driver's door with the ignition key or the remote transmitter.



On vehicles with the ultrasonic sensor, only the remote transmitter can turn off the security system. Unlocking the driver's door with the key cannot turn off the security system and activates the alarm.

The security system sets automatically 15 seconds (25 seconds on vehicles equipped with the ultrasonic sensor activated) after you lock the doors, bonnet, and tailgate. For the system to activate, you must lock the doors and the tailgate from the outside with the key or remote transmitter. The security system indicator on the instrument panel starts blinking immediately to show you the system is setting itself.

To set the ultrasonic sensor along with the security system, you should lock the doors and the tailgate with the key or the remote transmitter.

CONTINUED

Security System (For some types)

When you lock the doors and the tailgate with the key or the remote transmitter, all outside turn signals and both indicators in the instrument panel flash three times to verify the doors and the tailgate are locked and the security system has set. When you unlock them, these lights flash once.

The security system also sets after you lock the doors and the tailgate with the lock tab or master door lock switch on the driver's door while pulling the outside door handle.

Once the security system is set, opening either door or tailgate (without using the key or the remote transmitter), or the bonnet, will cause it to alarm. It also alarms if the audio unit is removed from the dashboard or the wiring is cut.

The alarm will also be activated if the passenger inside the locked vehicle turns the ignition switch on.

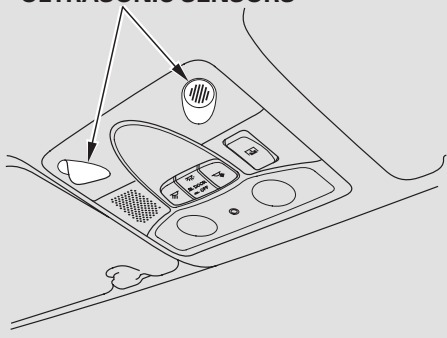
On vehicles with super locking system
When you set the super locking along with the security system, the alarm is not activated if someone tries to open a door with the lock tabs or the master door lock switch.

The security system will not set if the bonnet, tailgate, or either door is not fully closed. If the system will not set, check the door and tailgate open monitor on the multi-information display (see page 99), to see if the doors and tailgate are fully closed. Since it is not part of the monitor display, manually check the bonnet.

Do not attempt to alter this system or add other devices to it.

Ultrasonic Sensor (For some types)

ULTRASONIC SENSORS



The ultrasonic sensor is only activated when the security system is set by the key or the remote transmitter. It monitors the interior of the vehicle and activates the alarm if someone intrudes into the passenger compartment through a window, or moves in the compartment. With the security system set, only the ultrasonic sensor may activate.

NOTICE

If you set the security system with the windows open, the ultrasonic sensor may activate the alarm unexpectedly when the system senses strong vibrations on the vehicle or loud sound.

You can set the security system without activating the ultrasonic sensor. Pull the driver's outside door handle and push the lock tab in. Release the handle, then close the door. The security system indicator on the instrument panel comes on for 3 seconds, then starts blinking.

Whether the ultrasonic sensor is activated or not, the security system can only be turned off by the remote transmitter, not the key.

Cruise Control (For some types)

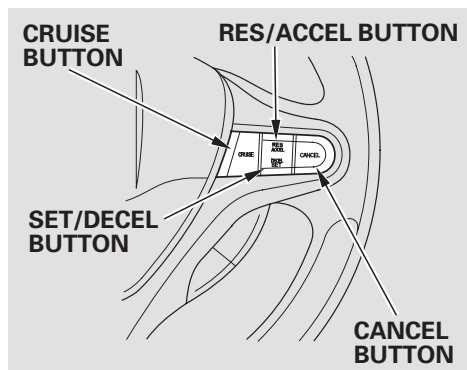
Cruise control allows you to maintain a set speed above 40 km/h (25 mph) without keeping your foot on the accelerator pedal. It should be used for cruising on straight, open motorways. It is not recommended for city driving, winding roads, slippery roads, heavy rain, or bad weather.

⚠ WARNING

Improper use of the cruise control can lead to a crash.

Use the cruise control only when travelling on open motorways in good weather.

Using Cruise Control



1. Push in the CRUISE button on the steering wheel. The CRUISE MAIN indicator on the instrument panel comes on.
2. Accelerate to the desired cruising speed above 40 km/h (25 mph).

3. Press and release the SET/DECEL button on the steering wheel. The CRUISE CONTROL indicator on the instrument panel comes on to show the system is now activated.

Cruise control may not hold the set speed when you are going up and down hills. If your vehicle speed increases going down a hill, use the brakes to slow down. This will cancel the cruise control. To resume the set speed, press the RES/ACCEL button. The CRUISE CONTROL indicator on the instrument panel will come back on.

Changing the Set Speed

You can increase the set cruising speed in any of these ways:

- Press and hold the RES/ACCEL button. When you reach the desired cruising speed, release the button.
- Push on the accelerator pedal until you reach the desired cruising speed, then press the SET/DECEL button.
- To increase the speed in very small amounts, tap the RES/ACCEL button. Each time you do this, your vehicle will speed up about 1.6 km/h (1 mph).

You can decrease the set cruising speed in any of these ways:

- Press and hold the SET/DECEL button. Release the button when you reach the desired speed.
- To slow down in very small amounts, tap the SET/DECEL button. Each time you do this, your vehicle will slow down about 1.6 km/h (1 mph).
- Tap the brake or clutch pedal lightly with your foot. The CRUISE CONTROL indicator on the instrument panel will go out. When the vehicle slows to the desired speed, press the SET/DECEL button.

Even with cruise control turned on, you can still use the accelerator pedal to speed up for passing. After completing the pass, take your foot off the accelerator pedal. The vehicle will return to the set cruising speed.

Resting your foot on the brake or clutch pedal causes cruise control to cancel.

Cruise Control (For some types)

Cancelling Cruise Control

You can cancel cruise control in any of these ways:

- Tap the brake or clutch pedal.
- Push the CANCEL button on the steering wheel.
- Push the CRUISE button on the steering wheel.

Resuming the Set Speed

When you push the CANCEL button, or tap the brake or clutch pedal, the system will remember the previously-set cruising speed. To return to that speed, accelerate to above 40 km/h (25 mph), then press and release the RES/ACCEL button. The CRUISE CONTROL indicator comes on, and the vehicle will accelerate to the same cruising speed as before.

Pressing the CRUISE button turns the system off and erases the previous cruising speed.

Optional on vehicles with navigation system

Your vehicle is equipped with the Hands-Free Telephone (HFT) system. HFT system uses Bluetooth technology as a wireless link between it and your Bluetooth compatible mobile phone. When you are in your vehicle and your phone is linked to the HFT system, you'll enjoy hands-free phone use. The HFT system is available in any of the five languages; English, French, Italian, German, and Spanish. To change the language, see page 294 .

The available language is set to English as the default setting when your vehicle leaves the factory. The voice of the HFT system is set to female.

Here are the main features of the HFT system. Instructions for using the HFT system begin on page 281 .

Voice Control

HFT system recognizes simple voice commands, such as phone numbers and names. It uses these commands to automatically dial, receive, and store numbers. For more information on voice control, see Using Voice Control on page 281 .

Bluetooth® Wireless Technology

Bluetooth® is a registered trademark of Bluetooth SIG, Inc.

Bluetooth is the wireless technology that links your phone to the HFT system. The HFT system uses a Class 2 Bluetooth, which means the maximum range between your phone and vehicle is 10 meters (30 feet).

To use the HFT system, your phone must have approved Bluetooth capability along with the Hands Free Profile. This type of phone is available through many phone makers and network operators.

Incoming/Outgoing Calls

With a linked phone, the HFT system allows you to send and receive calls in your vehicle without holding the phone.

Hands-Free Telephone (HFT) System (For some types)

Phonebook

The HFT system can store up to 50 names and phone numbers in its phonebook. With a linked phone, you can then automatically dial any name or number in the phonebook.

Here are the main components of the HFT system:

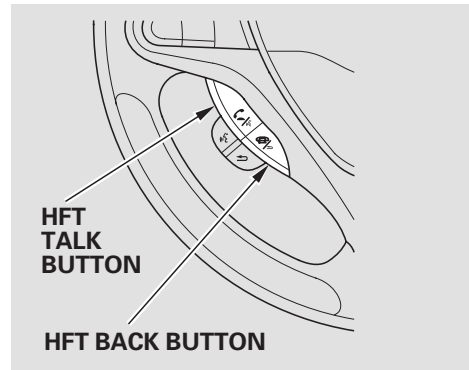
Microphone

The HFT system microphone is on the ceiling console. The microphone is shared with the navigation system.

Audio System

When the HFT system is in use, the sound comes through the vehicle's front audio system speakers. If the audio system is in use while operating either of HFT buttons or making a call, the HFT system overrides the audio system. To change the volume level, use the audio system volume knob.

HFT Buttons



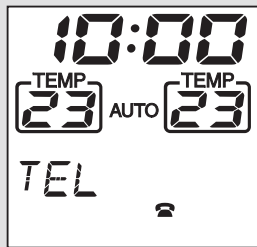
To operate the HFT, use the HFT Talk and Back buttons on the left side of the steering wheel. Below the HFT buttons is another set of voice control buttons for the navigation, climate control, and audio systems.

Here is the function of each HFT button:

HFT Talk: This button is used before you give a command, to answer incoming calls, and to confirm system information.

HFT Back: This button is used to end a call, go back to the previous voice control command, and to cancel an operation.

Information Display



When you are operating the HFT you are dialing and receiving calls, you will see “TEL” on the side display.

“” indicator will be displayed if your phone is linked to the Bluetooth compatible cell phone.

How to Use the HFT System

The HFT system is operated by the HFT Talk and Back buttons on the left side of the steering wheel. The next few pages provide instructions for all basic features of the HFT system.

NOTE: All phones may not operate identically, and some may cause inconsistent operation of the HFT system.

Using Voice Control

Here are some guidelines for using voice control:

- To enter a command, press the Talk button. Then, after the beep, say your command in a clear, natural tone.
- For best system operation, set the climate control fan speed to low, and direct the centre vents away from the microphone in the ceiling.
- If the HFT system does not recognize a command, its response is, “Pardon.” If it doesn’t recognize the command a second time, its response is, “Please repeat.” If it doesn’t recognize the command a third time, it plays the Help prompt.

CONTINUED

Hands-Free Telephone (HFT) System (For some types)

- To hear a list of available options at any time, press the Talk button, wait for the beep, and say, “Hands free link help.”
- Many commands can be spoken together. For example, you can say, “Dial 123-456-7891.”
- To enter a string of numbers in a Call or Dial command, you can say them all at once, or you can separate them in blocks of 3, 4, 7, 10, or 11.
- To skip a voice prompt, press the Talk button while the HFT system is speaking. The HFT system will then begin listening for your next command.
- To go back one step in a command process, say, “Go back,” or press the Back button.
If nothing is said while the HFT system is listening for a command,

the HFT system will time out and stop its voice recognition. The next time you press the Talk button, the HFT system begins listening from the point at which it timed out.

- To end a command sequence at any time, press and hold the Back button, or press the Talk button, wait for the beep, and say, “Cancel.” The next time you press the Talk button, the HFT system begins from its main menu.
- When you finish a command sequence, the HFT system goes back to its main menu. For example, when you store the name, “Eric,” the HFT system response is, “Eric has been stored.” The next time you press the Talk button, you will be at the main menu.

Setting Up the System

The incoming notification of the HFT system can be set to a ring tone, a prompt, or no notification.

To set up the system, do this:

1. Press and release the Talk button. After the beep, say “System.” The HFT system response is, “System options are setup and clear.”
2. Press and release the Talk button. After the beep, say “Setup.” The HFT system response is “Would you like an audible notification of an incoming call?”

3. Press and release the Talk button. If you say “Yes” after the beep, the HFT system response is, “Would you like the notification to be a ring tone or a prompt?” If you say “No” after the beep, the HFT system returns to its main menu. Saying “No” will result in no ring tone or prompt playback during an incoming call. The audio system will be mute, and a message will be displayed.

4. Press and release the Talk button. After the beep, say “Ring tone” or “Prompt.” The HFT system response is “A ring tone will be used.” or “An incoming call prompt will be used.”

If you choose “Ring tone,” you will hear a ring tone through the audio speakers to announce an incoming call. If you choose “Prompt,” you will hear this message to announce an incoming call: “You

have an incoming call.”

5. The HFT system response continues “A security option is available to lock the hands free system. Each time the vehicle is turned on, a password would be required to use this system. Would you like this security option turned on?”
6. Press and release the Talk button. If you say “No” after the beep, the HFT system response is, “Security will not be used. The system setup is complete.”

If you say “Yes,” you can set your password. Refer to the setting procedure in the next column.

Setting Your Password

The HFT system will accept a numeric, four-digit password that you can use for security purposes.

To set your password, do this:

1. Follow the system setup procedure from the step 1 through the step 5 as described previously.
2. Press and release the Talk button. After the beep, say “Yes.”
3. The HFT system response is “What is the four digit number you would like to set as your password?”
4. Press and release the Talk button. After the beep, say the four-digit password you want to use. For example, say “1, 2, 3, 4.” The HFT system response is “1, 2, 3, 4. Is this correct?”

CONTINUED

Hands-Free Telephone (HFT) System (For some types)

5. Press and release the Talk button. After the beep, say “Yes.” The HFT system response is “The system is now locked. Each time the vehicle is turned on, the password will be required to use the system. The system setup is complete. Returning to the main menu.”

To enter your password, do this:

Once a password is set, you can lock the HFT system so it only operates after the password is entered.

1. The HFT system will prompt you for your password each time the ignition switch is turned to the ON (II) position and you press the Talk button. You will only be asked for the password once per ignition cycle. If the password is set, its response is “The system is locked. What is the four-digit password?”

2. Press and release the Talk button. After the beep, say your four-digit password. For example, say “1, 2, 3, 4.”

3. If the password is correct, the HFT system response is “Main menu.”

If the password is not correct, the HFT system response is “1, 2, 3, 4 is incorrect. Please try again.” Go back to the step 2.

If you forget your password and you cannot activate the HFT system, consult your dealer to cancel the password.

Pairing Your Phone

Your Bluetooth compatible phone with HandsFree Profile must be paired to the HFT system before you can make and receive hands-free calls.

NOTE:

- HFT system does not allow you to pair your phone if the vehicle is moving.
- For pairing, your phone must be in its Discovery mode.
- Up to six phones can be paired to the HFT system.
- The following procedure works for most phones. If you cannot pair your phone to the HFT system with this procedure, refer to your phone’s operating manual, or talk to your phone retailer.
- During the pairing process, turn off any previously paired phones before pairing a new phone.

Hands-Free Telephone (HFT) System (For some types)

1. With your phone on and the ignition switch in the ACCESSORY (I) or ON (II) position, press and release the Talk button. After the beep, say "Phone set up." The HFT system response is "Phone set up options are status, pair, edit, delete, and list."
2. Press and release the Talk button. After the beep, say "Pair." The HFT system response is "The pairing process requires operation of your mobile phone. For safety, only perform this function while the vehicle is stopped. State a four-digit code for pairing. Note this code. It will be requested by the phone."
3. Press and release the Talk button. After the beep, say the four-digit code you want to use. For example, say "1, 2, 3, 4." The HFT system response is, "1, 2, 3, 4. Is this

correct?"

4. Press and release the Talk button. After the beep, say "Yes." The HFT system response is "Searching for a Bluetooth phone. Make sure the phone you are trying to pair is in discovery mode."

NOTE: Steps 5 and 6 show a common way to get your phone into its Discovery mode. If these steps do not work on your phone, refer to the phone's operating manual.

5. Follow the prompts on your phone to get it into its Search mode. The phone will search for the HFT system. When it comes up, select Hands-Free Telephone System from the list of options displayed on your phone.

6. When asked by the phone, enter the four-digit code from step 3 into your phone. The HFT system response is "A new phone has been found. What would you like to name this phone?"
7. Press and release the Talk button. After the beep, say the name you want to use. For example, say "Eric's phone." The HFT system response is "Eric's phone has been successfully paired. Returning to the main menu."
8. If you want to pair another phone, repeat steps 1 through 7.

CONTINUED

Hands-Free Telephone (HFT) System (For some types)

To rename a paired phone, do this:

1. Press and release the Talk button.
After the beep, say "Phone setup."
The HFT system response is "Phone setup options are status, pair, edit, delete, and list."
2. Press and release the Talk button.
After the beep, say "Edit." The HFT system response is "Which phone would you like to edit?"
3. Press and release the Talk button.
After the beep, say the name of the phone you want to rename. For example, say "Eric's phone." The HFT system response is "What is the new name for Eric's phone?"

4. Press and release the Talk button.
After the beep, say the new name of the phone. For example, say "Lisa's phone." The HFT system response is, "The name has been changed. Returning to the main menu."

To delete a paired phone, do this:

1. Press and release the Talk button.
After the beep, say "Phone setup." The HFT system response is, "Phone setup options are status, pair, edit, delete, and list."
2. Press and release the Talk button.
After the beep, say "Delete." The HFT system response is, "Which phone would you like to delete?"

3. Press and release the Talk button.
After the beep, say the name of the phone you want to delete. For example say "Eric's phone." The HFT system response is "Would you like to delete Eric's phone?"
4. Press and release the Talk button.
After the beep, say "Yes." The HFT system response is "Preparing to delete Eric's phone." Say "OK" to continue. Otherwise, say "Go back," or "Cancel."
5. Press and release the Talk button.
If you say "OK" after the beep, the HFT system response is "The phone has been deleted. Returning to the main menu." If you say "Go back," or "Cancel," the phone will not be deleted.

To list all paired phones, do this:

1. Press and release the Talk button.
After the beep, say "Phone setup."
The HFT system response is "Phone setup options are status, pair, edit, delete, and list."
2. Press and release the Talk button.
After the beep, say "List." The HFT system responds by listing the name of each paired phone. When all phones paired to the system have been read, the HFT system response is "The entire list has been read. Returning to the main menu."

To find out the status of the phone being used, do this:

1. Press and release the Talk button.
After the beep, say "Phone setup."
The HFT system response is "Phone setup options are status, pair, edit, delete, and list."
2. Press and release the Talk button.
After the beep, say "Status." An example of the HFT system response is, "Eric's phone is linked. Battery strength is three bars. Signal strength is five bars, and the phone is roaming. Returning to the main menu."

Some phones do not send the status information to the HFT system.

To change from the currently linked phone to another paired phone, do this:

1. Press and release the Talk button.
After the beep, say "Next phone."
The HFT system response is "Searching for the next phone."
The HFT system then disconnects the linked phone and searches for another paired phone. If no other phones are found, the first phone remains linked.

Hands-Free Telephone (HFT) System (For some types)

Making a Call

You can make calls using any phone number, or by using a name in the HFT system phonebook. You can also redial the last number called. During a call, the HFT system allows you to talk up to 30 minutes after you remove the key from the ignition switch.

To make a call using a phone number, do this:

1. With your phone on and the ignition switch in the ACCESSORY (I) or ON (II) position, press and release the Talk button. After the beep, say “Call” or “Dial.” The HFT system response is, “What name or number would you like to call/dial?”

2. Press and release the Talk button. After the beep, say the number you want to call. For example, say “123 456 7891.” The HFT system response is “123 456 7891. Say call, dial, or continue to add numbers.”
3. Press and release the Talk button. After the beep, say “Call” or “Dial.” The HFT system response is “Calling” or “Dialing.” Once connected, you will hear the person you called through the audio speakers. To change the volume, use the audio system volume knob.
4. To end the call, press the Back button.

To make a call using a name in the HFT system phonebook, do this:

1. With your phone on and the ignition switch in the ACCESSORY (I) or ON (II) position, press and release the Talk button. After the beep, say “Call” or “Dial.” The HFT system response is, “What name or number would you like to call/dial?”
2. Press and release the Talk button. After the beep, say the name you want to call. For example, say “Eric.” The HFT system response is “Would you like to call Eric?”
3. Press and release the Talk button. After the beep, say “Yes.” The HFT system response is “Calling” or “Dialing.” Once connected, you will hear the person you called through the audio speakers. To change the volume, use the audio system volume knob.

4. To end the call, press the Back button.

To redial the last number called by the phone, press and release the Talk button. After the beep, say “Redial.” The HFT system response is, “Redialing.” Once connected, you will hear the person you called through the audio speakers. To change the volume, use the audio system volume knob.

Sending Numbers or Names During a Call

The HFT system allow you to send numbers or names during a call. This is useful when you call a menu-driven phone system. You can also program account numbers into the HFT system phonebook for easy retrieval during menu-driven calls.

To send a number during a call, do this:

1. Press and release the Talk button. After the beep, say “Send.” The HFT system response is, “What name or number would you like to send?”
2. Press and release the Talk button. After the beep, say the number you want to send. For example, say “1, 2, 3.” The HFT system response is “1, 2, 3. Say send, or continue to add numbers.”

3. Press and release the Talk button. After the beep, say “Send.” The dial tones will be sent, and the call will continue.

To send a name during a call, do this:

1. Press and release the Talk button. After the beep, say “Send.” The HFT system response is, “What name or number would you like to send?”
2. Press and release the Talk button. After the beep, say the name you want to send. For example, say “Account number.” The HFT system response is “Would you like to send account number?”
3. Press and release the Talk button. After the beep, say “Send.” The dial tones will be sent, and the call will continue.

Hands-Free Telephone (HFT) System (For some types)

Receiving a Call

If you receive a call when you are not on the phone, the HFT system interrupts the audio system (if it is on), and plays the incoming call notification, if activated. To answer the call, press the Talk button and begin speaking. If you don't want to answer the call, press the Back button.

If your phone has Call Waiting, and you receive a call when you are on the phone, press and release the Talk button to answer it. When you do this, the original call is placed on hold. To return to the original call, press the Talk button again. If you don't want to answer the new call, disregard it, and continue with your original call. If you want to hang up the original call and answer the new call, press the Back button.

Transferring a Call

During a call, you can transfer it from the HFT system to your phone, or from your phone to the HFT system.

To transfer a call from the HFT system to your phone, do this:

1. Press and release the Talk button.
After the beep, say "Transfer."
The audio switches from the HFT system to the phone.

To transfer a call from your phone to the HFT system, do this:

2. Press and release the Talk button.
After the beep, say "Transfer."
The audio switches from your phone to the HFT system.

Muting a Call

During a call, you can mute or unmute your voice to the person you are talking to.

To mute your voice, do this:

1. Press and release the Talk button. After the beep, say "Mute." The HFT system response is, "Mute is active."

To unmute your voice, do this:

2. Press and release the Talk button. After the beep, say "Mute." The HFT system response is, "Mute is cancelled."

Setting up the Phonebook

The HFT system phonebook can store up to 50 names with their associated numbers. These can be any types of numbers. For example, you can store a phone number and use it to make a call, or you can store a name tag and use it to call.

To add a name, do this:

1. Press and release the Talk button. After the beep, say "Phonebook." The HFT system response is "Phonebook options are store, edit, delete, and list."
2. Press and release the Talk button. After the beep, say "Store." The HFT system response is, "What name would you like to store?"
3. Press and release the Talk button. After the beep, say the name you would like to store. For example, say "Eric". The HFT system response is "What is the number for Eric?"
4. Press and release the Talk button. After the beep, say the number. For example, say "123 456 7891." The HFT system response is "123 456 7891."

CONTINUED

Hands-Free Telephone (HFT) System (For some types)

5. Press and release the Talk button. After the beep, say “Enter.” The HFT system response is “Eric has been stored. Returning to the main menu.”

To edit the number of a name, do this:

1. Press and release the Talk button. After the beep, say “Phonebook.” The HFT system response is “Phonebook options are store, edit, delete, and list.”

2. Press and release the Talk button. After the beep, say “Edit.” The HFT system response is, “What name would you like to edit?”

3. Press and release the Talk button. After the beep, say the name you would like to edit. For example, say “Eric.” The HFT system response is “What is the new number for Eric?”

4. Press and release the Talk button. After the beep, say the new number for Eric. For example, say “987 654 3219.” The HFT system response is, “987 654 3219.”

5. Press and release the Talk button. After the beep, say “Enter.” The HFT system response is “The number has been changed. Returning to the main menu.”

To delete a name, do this:

1. Press and release the Talk button. After the beep, say “Phonebook.” The HFT system response is, “Phonebook options are store, edit, delete, and list.”

2. Press and release the Talk button. After the beep, say “Delete.” The HFT system response is, “What name would you like to delete?”

3. Press and release the Talk button. After the beep, say the name you would like to delete. For example, say “Eric.” The HFT system response is “Would you like to delete Eric?”

4. Press and release the Talk button. After the beep, say “Yes.” The HFT system response is, “The name has been deleted. Returning to the main menu.”

To list all names in the phonebook, do this:

1. Press and release the Talk button. After the beep, say “Phonebook.” The HFT system response is, “The Phonebook options are store, edit, delete, and list.”

2. Press and release the Talk button. After the beep, say "List." The HFT system responds by listing the names in the phonebook. When the end of the list is reached, the HFT system response is, "The entire list has been read. Returning to the main menu."

To call a name from the phonebook list, do this:

1. Press and release the Talk button. After the beep, say "Phonebook." The HFT system response is "Phonebook options are store, edit, delete, and list."
2. Press and release the Talk button. After the beep, say "List." The HFT system responds by listing the names in the phonebook. When it says the name you want to call, for example, Eric, press the Talk button, and then say "Call." The HFT system response is,

"Would you like to call Eric?"

3. Press and release the Talk button. After the beep, say "Yes." The HFT system response is "Calling." Once connected, you will hear the person you called through the audio speakers. To change the volume, use the audio system volume knob.

Clearing the System

This operation clears the HFT system of your password, your paired phones, and all names in the HFT system phonebook. Clearing is recommended before you sell your vehicle.

To clear the system, do this:

1. Press and release the Talk button. After the beep, say "System." The HFT system response is, "System options are setup and clear."
2. Press and release the Talk button.

After the beep, say "Clear." The HFT system response is, "This process will clear all paired phones, clear all entries in the phonebook, and clear the password and restore the defaults in the system setup. Is this what you would like to do?"

3. Press and release the Talk button. After the beep, say "Yes." The HFT system response is "Preparing to clear all paired phones, all phonebook entries, and the password, and restore the defaults in the system setup. This may take up to 2 minutes to complete." Say "OK" to proceed, otherwise say "Go back" or "Cancel."
4. If you said "OK," after a short period of time, the HFT system response is, "System has been cleared. Returning to the main menu."

Hands-Free Telephone (HFT) System (For some types)

Changing Language

To select any of the five languages; English, French, Italian, German, and Spanish, do this:

For example, change from English to French.

1. Press and release the Talk button. After the beep, say “Change language.” The HFT system response is English, French, Italian, German, or Spanish ?
2. Press and release the Talk button. After the beep, say “French.” The HFT system response in the new selecting language is “You have selected French. Name tags that were stored while in another language will not be accessible in French mode. Would you like to continue ?”, then the system repeats the response in the currently selected language.

3. Press and release the Talk button. After the beep, say “Yes” in the selected language (in French in this example). If there are no paired phones without French name tags, the HFT system response in the selected language is “The language has been changed,” then “Returning to the main menu.” After this response, the system recognizes your commands in the selected language only.

If there are paired phones without French name tags, the HFT system response in the selected language is “For the system to identify phones that were paired while in another language, the phone names need to be re-recorded.”

NOTE: If there are paired phones without French name tags, the following prompts will continue.

4. The HFT system response in the selected language is, for example, “What is the French name for <Paul’s phone >?” Press and release the Talk button. After the beep, say “Paul’s phone” in the selected language. The HFT system response is, “What is the French name for <Pat’s phone >?” Press and release the Talk button. Say “Pat’s phone.” After all paired phones missing a French name tag are re-recorded, the HFT system will prompt in the selected language, “Returning to the main menu.”

Hands-Free Telephone (HFT) System (For some types)

To change from French to English, do this:

1. Press and release the Talk button. After the beep, say “Change language” in the currently selected language. The HFT system response in the currently selected language is, “English, French, German, Italian, or Spanish ?”
2. Press and release the Talk button. After the beep, say “English” in the currently selected language. The HFT system response in the new selecting language is, “You have selected English. Name tags that were stored while in French mode will not be accessible in English mode. Would you like to continue ?”, then the system repeats the response in the currently selected language.
3. Press and release the Talk button. After the beep, say “Yes” in the

selected language. If there are no paired phones without English name tags, the HFT system response is “The language has been changed. Returning to the main menu.” in the selected language.

If there are paired phones without English name tags, the HFT system response is “The language has been changed. For the system to identify phones that were paired while in another language, the phone names need to be re-recorded.”

NOTE: If there are paired phones without English name tags, the following prompts will continue.

4. The HFT system says, for example, “What is the English name for <Paul’s phone>?” Press and release the Talk button. After the beep, say “Paul’s phone” in the selected language. The HFT

system response is “What is the English name for <Pat’s phone>?” Press and release the Talk button. After the beep, say “Pat’s phone.” After all paired phones missing an English name tag are re-recorded, the HFT system will say “Returning to the main menu.”

CONTINUED

Hands-Free Telephone (HFT) System (For some types)

Quick Language Selection

To select a language quickly, do the following.

For example, change from English to French.

1. Press and release the Talk button. After the beep, say “French” in the selecting language. In this case, say in French.
2. The HFT system response in the new selecting language is “You have selected French. Name tags that were stored while in another language will not be accessible in French mode. Would you like to continue ?” The system also repeats the response in the currently selected language.
3. If you want to continue, follow steps 3 and 4 in page 294 .

HFT System Limitations

When using voice control, the HFT system call is placed on hold, or the HFT system stops its voice recognition. The HFT system call will continue when voice control command is ended. To operate the HFT system again, press the Talk button. Then after the beep, say the appropriate command.

In addition, you cannot use the HFT system while receiving a PTY alarm.

*For information of DoC
(Declaration of Conformance)*

EU models

Hereby, *Johnson Controls Automotive*, declares that this *Hands-Free Telephone System* is in compliance with the essential requirements and other relevant provisions of Directive 1999/5/EC.

www.jciblueconnect.com/faq/EU_DoC.pdf

Except EU models

For additional conformance information: www.jciblueconnect.com/faq

Before you begin driving your vehicle, you should know what fuel to use and how to check the levels of important fluids. You also need to know how to properly store luggage or packages. The information in this section will help you. If you plan to add any accessories to your vehicle, please read the information in this section first.

Break-in Period	298
Fuel Recommendation	298
Petrol models	298
Diesel models.....	299
Service Station Procedures	299
Refueling.....	299
Opening and Closing the Bonnet	301
Oil Check	302
Engine Coolant Check	304
Fuel Cutoff Switch.....	306
Fuel Economy	307
Accessories and Modifications	308
Carrying Luggage.....	310

Break-in Period, Fuel Recommendation

Break-in Period

Help assure your vehicle's future reliability and performance by paying extra attention to how you drive during the first 1,000 km (625 miles). During this period:

- Avoid full-throttle starts and rapid acceleration.
- Avoid hard braking for the first 300 km (200 miles).
- Do not change the oil until the scheduled maintenance time.
- Do not tow a trailer.

You should also follow these recommendations with an overhauled or exchanged engine, or when the brakes are replaced.

Fuel Recommendation

Petrol models

Your vehicle is designed to operate on Premium/Super unleaded petrol with a Research Octane Number (RON) of 95 or higher.

Petrol of the recommended Research Octane Number (RON) may not be available in some areas. In this case, petrol of a lower octane may be used temporarily if it does not cause engine "knocking." This will result in decreased engine performance.

Using petrol containing lead will damage your vehicle's emissions controls and engine. This contributes to air pollution.

Diesel models

Your vehicle is designed to use only Diesel Fuel (also known as Automotive gas oil and Derv).

Your vehicle is not designed to use RME (Rapeseed Methyl Ester). For more information, ask your dealer.

The quality of diesel fuel (Derv) can vary in different countries, and only clean and good quality fuel should be used.

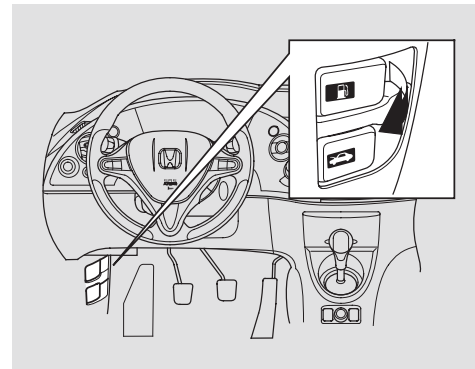
You need to use the proper fuel for EN590 and also vary the fuel depending on the season. Select the proper fuel according to the regional or climate condition. Use of inadequate fuel may reduce engine power. In this case, the symbol “PGM-FI” may appear on the multi-information display.

For proper fuel selection, “DIESEL” is marked on the fuel fill cap.

NOTICE

Serious damage may occur if petrol is used in diesel engines.

Refueling



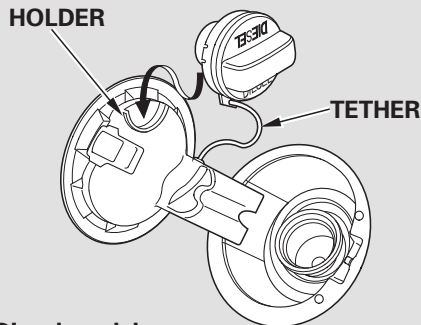
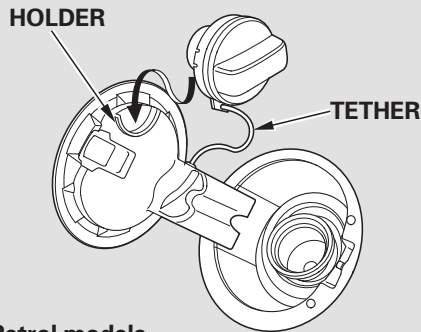
1. Park with the left side closest to the service station pump.
2. Open the fuel fill door by pulling the upper handle under the lower corner of the dashboard.

CONTINUED

⚠ WARNING

Fuel is highly flammable and explosive. You can be burned or seriously injured when handling fuel.

- **Stop the engine, and keep heat, sparks, and flame away.**
- **Handle fuel only outdoors.**
- **Wipe up spills immediately.**



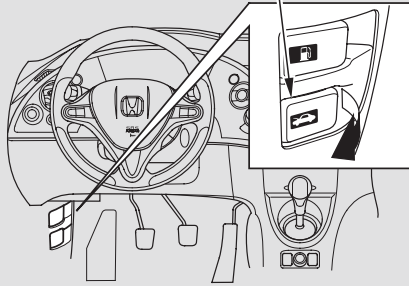
3. Remove the fuel fill cap slowly. You may hear a hissing sound as pressure inside the tank escapes.

Place the fuel fill cap in the holder on the fuel fill door. To prevent the fuel fill cap from becoming lost, it is attached to the fuel filler with a tether.

4. Stop filling the tank after the fuel nozzle automatically clicks off. Do not try to “top off” the tank. Leave some room for the fuel to expand with temperature changes.
5. Screw the fuel fill cap back on until it clicks at least once.
6. Push the fuel fill door closed until it latches.

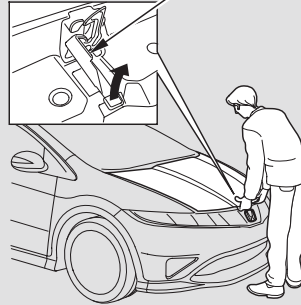
Opening and Closing the Bonnet

BONNET RELEASE HANDLE



1. Park the vehicle, and set the parking brake. Pull the bonnet release handle under the lower corner of the dashboard. The bonnet will pop up slightly.

LATCH

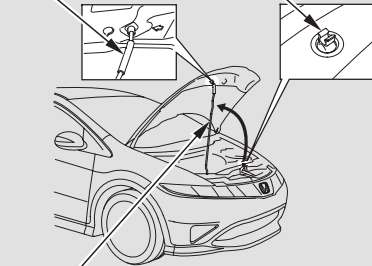


2. Put your fingers between the front edge of the bonnet and the front grille. The bonnet latch handle is above the “H” logo. Push this handle up to release the bonnet. Lift the bonnet.

If the bonnet latch handle moves stiffly, or if you can open the bonnet without lifting the handle, the mechanism should be cleaned and lubricated.

GRIP

CLIP



SUPPORT ROD

3. Pull the support rod out of its clip by holding the grip, and insert the end into the designated hole in the bonnet.

CONTINUED

Service Station Procedures

To close the bonnet, lift it up slightly to remove the support rod from the hole. Put the support rod back into its holding clip. Lower the bonnet to about 30 cm (a foot) above the fender, then let it drop. Make sure it is securely latched.

NOTICE

On Diesel models

Do not press the engine cover forcibly. This may damage the engine cover and component parts.

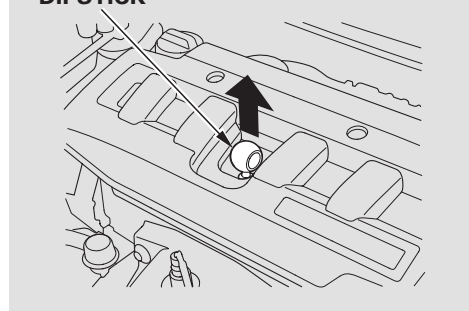
Oil Check

All engines consume oil as part of their normal operation, therefore, the engine oil level must be checked regularly, for example when refuelling. Always check the oil before a long journey.

The amount of oil consumed depends on how the vehicle is driven and the climatic and road conditions encountered. The rate of oil consumption can be up to 1 litre per 1,000 km/625 miles. Consumption is likely to be higher when the engine is new.

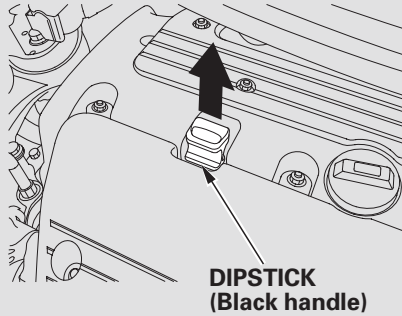
Make sure the engine is warmed up and the vehicle is parked on level ground. Turn off the engine and wait approximately 3 minutes before checking the oil level.

Petrol models except Type-R DIPSTICK



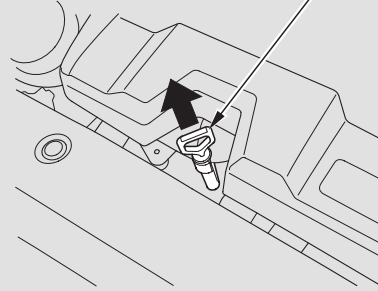
1. Remove the dipstick (orange handle).

Type-R model



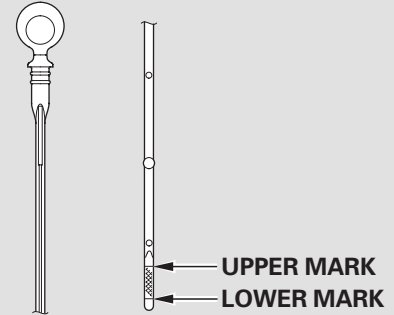
Remove the dipstick carefully, so you do not spill the oil. Spilled oil could damage components in the engine compartment.

Diesel models



2. Wipe off the dipstick with a clean cloth or paper towel.
3. Insert it all the way back in its tube.

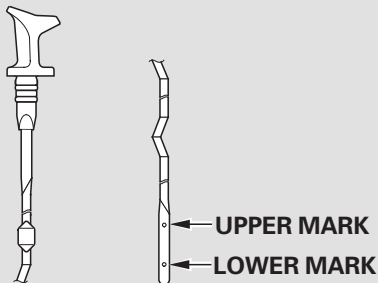
Petrol models except Type-R



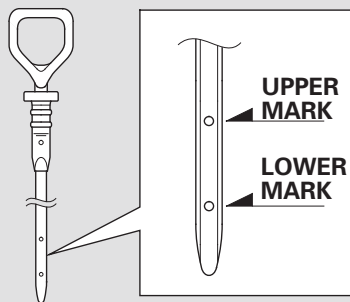
4. Remove the dipstick again, and check the level. It should be between the upper and lower marks.

CONTINUED

Type-R model



Diesel models



If it is near or below the lower mark, see **Adding Engine Oil** on page 368 on petrol models, 370 on diesel models.

Engine Coolant Check

Petrol models

RESERVE TANK

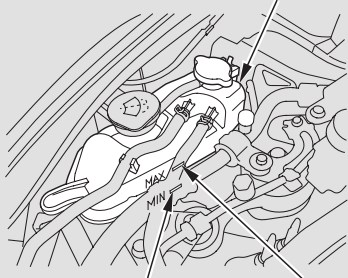
MAX MIN

On petrol models

Look at the coolant level in the radiator reserve tank. Make sure it is between the MAX and MIN lines. If it is below the MIN line, see **Adding Engine Coolant** on page 372 for information on adding the proper coolant.

Diesel models

EXPANSION TANK



MIN LINE

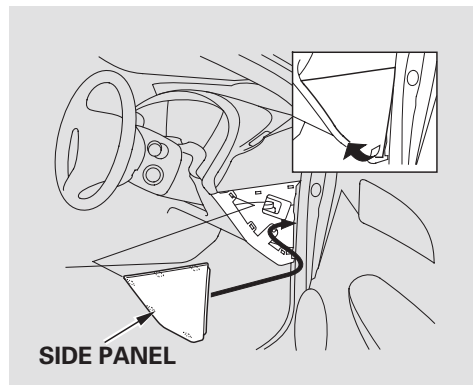
MAX LINE

Refer to **Owner's Maintenance Checks** on page 356 for information about checking other items on your vehicle.

On Diesel models

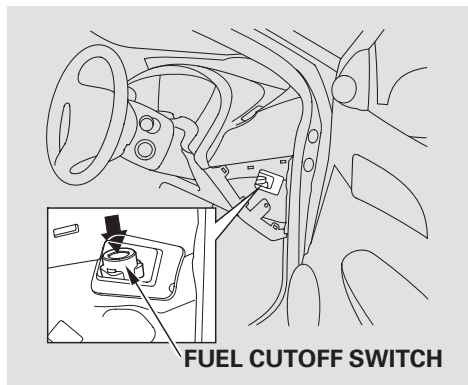
The coolant level in the expansion tank should be checked only when the engine and the cooling system are cold. Make sure it is between the MAX and MIN lines. If it is below the MIN line, see **Adding Engine Coolant** on page 374 .

Fuel Cutoff Switch (For some types)



The fuel cutoff switch is behind the driver's side corner vent. To access the switch:

1. Open the driver's door.
2. Pry the lower front side of the side panel under the door seal, then pull out the side panel carefully.



3. Remove the side panel of the dashboard carefully.
4. Locate the fuel cutoff switch behind the corner vent.

In a collision or sudden impact, this switch automatically cuts off the fuel supply to the engine.

After the switch has activated, it must be reset by pressing the button before the engine can be restarted.

⚠ WARNING

Leaking fuel can ignite or explode, causing you to be seriously or fatally injured.

Always check for fuel leaks before resetting the switch.

Improving Fuel Economy

- Always maintain your vehicle according to the maintenance schedule. See **Owner's Maintenance Checks** (see page 356).

For example, an underinflated tyre causes more “rolling resistance,” which uses more fuel.

The build-up of snow or mud on your vehicle's underside adds weight and rolling resistance. Frequent cleaning helps your fuel mileage and reduces the chance of corrosion.

- Drive moderately. Rapid acceleration, abrupt cornering, and hard braking use more fuel.
- Always drive in the highest gear possible.
- Try to maintain a constant speed. Every time you slow down and speed up, your vehicle uses extra fuel. Use the cruise control (on some types) when appropriate.
- Combine several short trips into one.
- The air conditioning puts an extra load on the engine which makes it use more fuel. Use the fresh-air ventilation when possible.

Accessories and Modifications

Modifying your vehicle, or installing some non-Honda accessories, can make it unsafe. Before you make any modifications or add any accessories, be sure to read the following information.

Accessories

Your dealer has genuine Honda accessories that allow you to personalize your vehicle. These accessories have been designed and approved for your vehicle.

Although non-Honda accessories may fit on your vehicle, they may not meet factory specifications, and could adversely affect your vehicle's handling and stability.

WARNING

Improper accessories or modifications can affect your vehicle's handling, stability, and performance, and cause a crash in which you can be hurt or killed.

Follow all instructions in this owner's manual regarding accessories and modifications.

When properly installed, cellular phones, alarms, two-way radios, and low-powered audio systems should not interfere with your vehicle's computer controlled systems, such as your airbags and anti-lock brakes.

Before installing any accessory:

- Make sure the accessory does not obscure any lights, or interfere with proper vehicle operation or performance.
- Be sure electronic accessories do not overload electrical circuits (see page 471) or interfere with proper operation of your vehicle.
- Before installing any electronic accessory, have the installer contact your dealer for assistance. If possible, have your dealer inspect the final installation.
- Do not install accessories on the side pillars or across the rear windows as these may interfere with proper operation of the side curtain airbags.

Modifying Your Vehicle

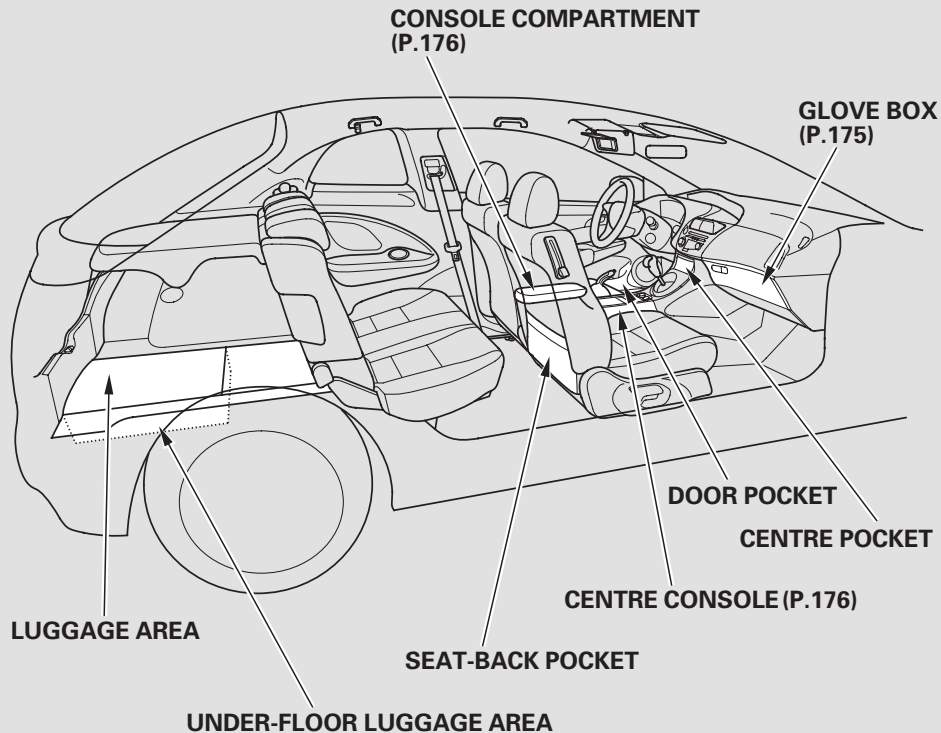
Removing parts from your vehicle, or replacing components with non-Honda components could seriously affect your vehicle's handling, stability, and reliability.

Some examples are:

- Lowering your vehicle with a non-Honda suspension kit that significantly reduces ground clearance can allow the undercarriage to hit speed bumps or other raised objects, which could cause the airbags to deploy.
- Raising your vehicle with an aftermarket suspension kit can affect the handling and stability.
- Non-Honda wheels, because they are a universal design, can cause excessive stress on suspension components.

- Larger or smaller wheels and tyres can interfere with the operation of your vehicle's anti-lock brakes and other systems.
- Modifying your steering wheel or any other part of your vehicle's safety features can make the systems ineffective.

Carrying Luggage



Your vehicle has several convenient storage areas:

- Glove box
- Door and seat-back pockets
- Luggage area, including the rear seats when folded, and under-floor luggage area
- Console compartment
- Centre pocket
- Roof-rack (if installed)

However, carrying too much luggage, or improperly storing it, can affect your vehicle's handling, stability, stopping distance, and tyres, and make it unsafe. Before carrying any type of luggage, be sure to read the following pages.

Load Limits

When you load luggage, the total weight of the vehicle, all passengers, luggage and towbar must not exceed the maximum permissible weight. The load for the front and rear axles also must not exceed the maximum permissible axle weight. Refer to page 488 for the maximum permissible weight and maximum permissible axle weight.

On Australian model

When you load luggage, the total weight of the vehicle, all passengers and luggage must not exceed the maximum loaded vehicle weight. Refer to page 488 for the maximum loaded vehicle weight.

⚠ WARNING

Overloading or improper loading can affect handling and stability and cause a crash in which you can be hurt or killed.

Follow all load limits and other loading guidelines in this manual.

Carrying Items in the Passenger Compartment

- Store or secure all items that could be thrown around and hurt someone during a crash.
- Be sure items placed on the floor behind the front seats cannot roll under the seats and interfere with the driver's ability to operate the pedals, and proper operation of the seats. Do not stack items higher than the back of the front seats.
- Keep the glove box closed while driving. If it is open, a passenger could injure their knees during a crash or sudden stop.

Carrying Luggage

Carrying Luggage in the Luggage Area or on a Roof Rack

- Distribute luggage evenly on the floor of the luggage area, placing the heaviest items on the bottom and as far forward as possible. Try to secure the items with rope or cord so they will not shift while you are driving.
- If you fold down the back seat, tie down items that could be thrown about the vehicle during a crash or sudden stop.

Try to secure the items with rope or cord so they will not shift while you are driving. Do not stack items higher than the back of the front seats.

Refer to page 164 for folding rear seats.

- Do not place items on the luggage area cover, or stack objects higher than the top of the back seat. They could block your view and be thrown about the vehicle during a crash or sudden stop.
- If you carry large items that prevent you from closing the tailgate, exhaust gas can enter the passenger area. To avoid the possibility of **carbon monoxide poisoning**, follow the instructions on page 65 .
- If you can carry any items on a roof rack, be sure the total weight of the rack and the items does not exceed the maximum allowable weight. Please contact your dealer for further information.

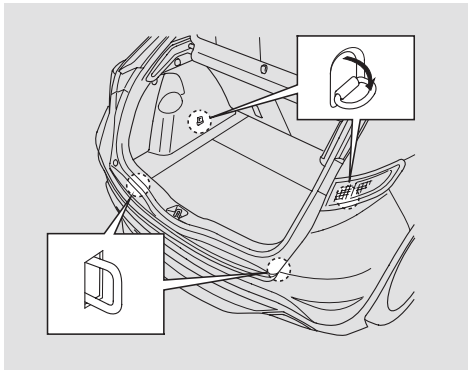
If you use an accessory roof rack, the roof rack weight limit may be lower. Refer to the information that came with your roof rack.

Concerning means of lashing and retaining devices offered on the accessory market, please contact your dealer.

NOTICE

A normal bike rack must not be fitted to the tailgate.

Luggage Hooks



To secure luggage, use the four floor hooks in the luggage area. Make sure all stored items are secured before driving.

On vehicles with spare tyre

These hooks are also used to install a net for securing a flat tyre (see page 439).

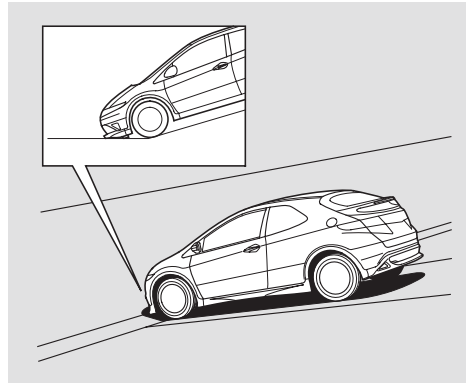
This section gives you tips on starting the engine under various conditions, and how to operate the manual and i-SHIFT transmissions. It also includes important information on parking your vehicle, the braking system, the vehicle stability assist (VSA) system, and facts you need if you are planning to tow a trailer.

Driving Guidelines.....	316
Preparing to Drive	317
Starting the Engine (Petrol models with manual transmission)	318
Starting the Engine (Petrol models with i-SHIFT)	319
Starting the Engine (Diesel models).....	320
Manual Transmission.....	322
i-SHIFT (Automated Manual Transmission)	326
Parking	337
Braking System.....	338
Anti-lock Brakes (ABS)	339
Vehicle Stability Assist (VSA) System.....	341
Driving in Bad Weather	343
Towing a Trailer	345

Driving Guidelines

Your vehicle is designed to give you optimum handling and performance on well-maintained roads. As part of this design, your vehicle has a minimum of ground clearance.

- Use caution if you ever drive your vehicle on very rough or rutted roads. You could damage the suspension and underbody by bottoming out. Going too fast over parking lot “speed bumps” can also cause damage.



- Curbs and steep inclines could damage the front and rear bumpers. Low curbs that do not affect the average vehicle may be high enough to hit the bumper on your vehicle. The front or rear bumper may scrape when trying to drive onto an incline, such as a steep driveway or trailer ramps.

You should do the following checks and adjustments before you drive your vehicle.

1. Make sure all windows, mirrors, and outside lights are clean and unobstructed. Remove frost, snow, or ice.
2. Check that the bonnet is fully closed.
3. Check that the tailgate is fully closed.

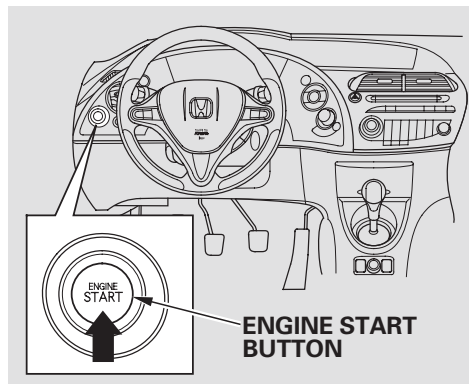
4. Visually check the tyres. If a tyre looks low, use a gauge to check its pressure.
5. Check that any items you may be carrying are stored properly or fastened down securely.
6. Check the seat adjustment (see page 160).
7. Check the adjustment of the inside and outside mirrors (see page 172).

8. Check the steering wheel adjustment (see page 147).
9. Make sure the doors are securely closed.
10. Fasten your seat belt. Check that your passengers have fastened their seat belts (see page 17).
11. When you start the engine, check the gauges and indicators in the instrument panel (see page 72).

Starting the Engine (Petrol models)

Manual Transmission

1. Apply the parking brake.
2. In cold weather, turn off all electrical accessories to reduce the drain on the battery.
3. Push the clutch pedal down all the way and shift the transmission to neutral.
4. Turn the ignition key to the ON (II) position.
5. Without touching the accelerator pedal, push the ENGINE START button. Do not hold the ENGINE START button for more than 15 seconds at a time. If the engine does not start right away, pause for at least 10 seconds before trying again.



NOTICE

The immobilizer system protects your vehicle from theft. If an improperly-coded key (or other device) is used, the engine's fuel system is disabled. See **Immobilizer System** on page 149 .

6. If the engine does not start within 15 seconds, or starts but stalls right away, repeat step 5 with the accelerator pedal pressed halfway

down. If the engine starts, release pressure on the accelerator pedal so the engine does not race.

7. If the engine fails to start, press the accelerator pedal all the way down and hold it there while starting to clear flooding. If the engine still does not start, return to step 6.

NOTICE

The engine is harder to start in cold weather. Also, the thinner air found at altitudes above 2,400 meters (8,000 feet) adds to this problem.

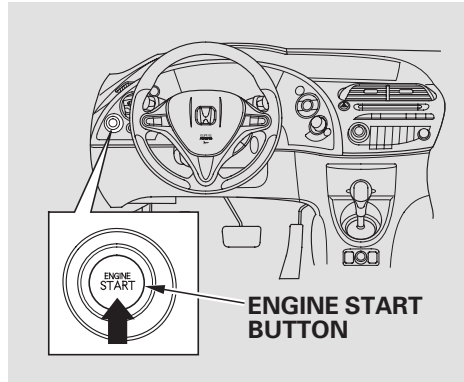
If the outside temperature is below freezing, or if your vehicle has not been driven for several days, warm up the engine for a few minutes before driving (prohibited in Germany! § 30 StVO).

i-SHIFT (Automated Manual Transmission)

1. Apply the parking brake.
2. In cold weather, turn off all electrical accessories to reduce the drain on the battery.
3. Press on the brake pedal and move the shift lever to neutral.
4. Turn the ignition key to the ON (II) position.

Make sure the shift lever is in neutral (N) with the brake pedal pressed, and the gear position indicator shows N. If the shift lever is not in neutral (N) position or the brake pedal is not pressed, you cannot start the engine.

5. Without touching the accelerator pedal, push the ENGINE START button. Do not hold the ENGINE START button for more than 15



seconds at a time. If the engine does not start right away, pause for at least 10 seconds before trying again.

NOTICE

Make sure the gear position indicator shows the appropriate gear position before driving the vehicle.

NOTICE

The immobilizer system protects your vehicle from theft. If an improperly-coded key (or other device) is used, the engine's fuel system is disabled. See **Immobilizer System** on page 149.

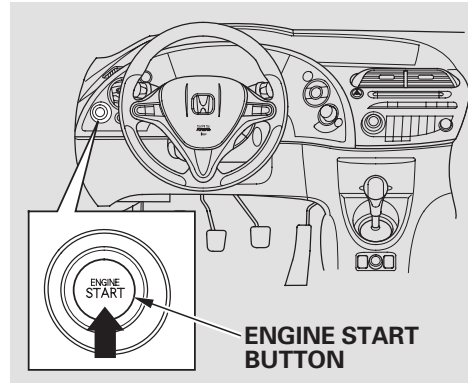
NOTICE

The engine is harder to start in cold weather. Also, the thinner air found at altitudes above 2,400 meters (8,000 feet) adds to this problem.

If the outside temperature is below freezing, or if your vehicle has not been driven for several days, warm up the engine for a few minutes before driving (prohibited in Germany! § 30 StVO).

Starting the Engine (Diesel models)

1. Apply the parking brake.
2. Turn off all electrical accessories to reduce the drain on the battery.
3. Push the clutch pedal down all the way and shift the transmission to neutral.
4. Turn the ignition key to the ON (II) position. Wait until the glow plugs indicator turns off.
5. Without touching the accelerator pedal, push the ENGINE START button. Do not hold the ENGINE START button for more than 15 seconds at a time (20 seconds in cold weather). If the engine does not start right away, pause for at least 20 seconds before trying again.



NOTICE

The immobilizer system protects your vehicle from theft. If an improperly-coded key (or other device) is used, the engine's fuel system is disabled. See **Immobilizer System** on page 149 .

Cold Climates

In very cold climates the battery charging and oil pressure indicators may take several seconds to go off. Similarly, engine cranking times will also increase.

Warming Up

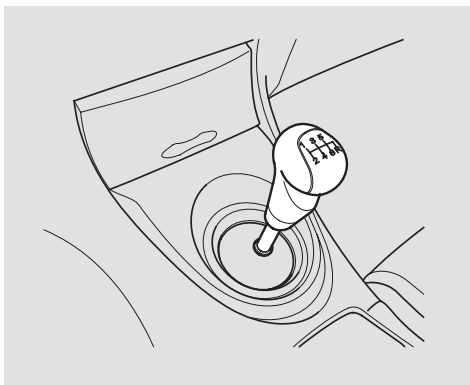
In the interests of fuel economy, it is advisable to start driving straight away, remembering that harsh acceleration or labouring the engine before the normal operating temperature has been reached can damage the engine.

NOTICE

The engine must not be run above fast idle speed until the oil pressure warning indicator goes off. This will ensure that the engine and turbocharger bearings are properly lubricated before being run at normal driving speeds.

Ignition Switching Off

To avoid the possibility of damaging the turbocharger bearings through inadequate lubrication, ALWAYS allow the engine to idle for 10 seconds before turning off the engine.



The manual transmission is synchronized in all forward gears for smooth operation. It has a lockout so you cannot accidentally shift from any forward gear to reverse while the vehicle is moving at a certain speed (see page 325).

When shifting up or down, make sure you push the clutch pedal down all the way, shift to the next gear, and let the pedal up gradually. When you are not shifting, do not rest your

foot on the clutch pedal. This can cause excessive clutch wear.

Come to a full stop before you shift into reverse. You can damage the transmission by trying to shift into reverse with the vehicle moving. Push down the clutch pedal, and pause for a few seconds before shifting into reverse, or shift into one of the forward gears for a moment. This stops the gears so they won't "grind."

When slowing down, you can get extra braking from the engine by shifting to a lower gear. This extra braking can help you maintain a safe speed and prevent your brakes from overheating while going down a steep hill. Before downshifting, make sure the engine speed will not go into the tachometer's red zone in the lower gear. Refer to the maximum allowable speeds charts.

⚠ WARNING

Rapid slowing or speeding-up can cause loss of control on slippery surfaces. If you crash, you can be injured.

Use extra care when driving on slippery surfaces.

NOTICE

Do not rest your hand on the shift lever while driving; Pressure transmitted from your hand may cause premature wear to gear selector mechanism.

On some models

Your vehicle is equipped with an aluminium shift lever. If you leave the vehicle parked outside for a long time on a hot day, be careful before moving the shift lever. Because of the heat, the shift lever may be extremely hot. If the outside temperature is low, the shift lever feels cold.

Recommended Shift Points

Drive in the highest gear that lets the engine run and accelerate smoothly. This will give you good fuel economy and effective emissions control. The following shift points are recommended:

1.8 l engine model

Shift up	Normal acceleration
1st to 2nd	15 km/h (9 mph)
2nd to 3rd	35 km/h (22 mph)
3rd to 4th	50 km/h (31 mph)
4th to 5th	75 km/h (47 mph)
5th to 6th	100 km/h (62 mph)

2.0 l engine model (Type-R)

Shift up	Normal acceleration
1st to 2nd	20 km/h (12 mph)
2nd to 3rd	30 km/h (19 mph)
3rd to 4th	45 km/h (28 mph)
4th to 5th	60 km/h (37 mph)
5th to 6th	75 km/h (47 mph)

2.2 l engine model (diesel)

Shift up	Normal acceleration
1st to 2nd	15 km/h (9 mph)
2nd to 3rd	35 km/h (22 mph)
3rd to 4th	55 km/h (34 mph)
4th to 5th	70 km/h (43 mph)
5th to 6th	85 km/h (53 mph)

Your vehicle has the rev indicator to show you approaching to the tachometer's red zone while driving (see page 86).

Manual Transmission

Maximum Allowable Speeds

The speeds in this table are the maximum allowable speeds in each gear. If you exceed these speeds, the engine speed will enter into the tachometer's red zone. If this occurs, you may feel the engine cut in and out. This is caused by a limiter in the engine's computer controls. The engine will run normally when you reduce the rpm below the red zone.

Before downshifting, make sure the vehicle will not exceed the maximum allowable speed specified by the chart for the lower gear to avoid engine damage.

1.8 *l* engine model

Gear	Maximum allowable speeds
1st	57 km/h (36 mph)
2nd	97 km/h (60 mph)
3rd	139 km/h (86 mph)
4th	172 km/h (107 mph)
5th	213 km/h (132 mph)

2.0 *l* engine model (Type-R)

Gear	Maximum allowable speeds
1st	55 km/h (34 mph)
2nd	85 km/h (53 mph)
3rd	120 km/h (75 mph)
4th	160 km/h (99 mph)
5th	200 km/h (124 mph)

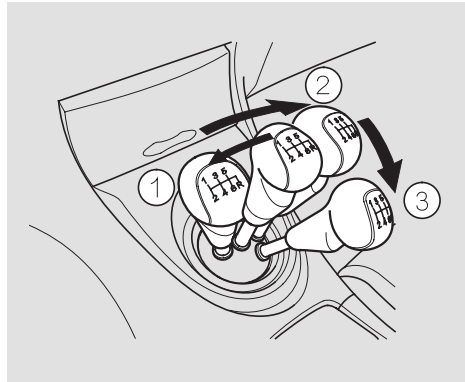
2.2 *l* engine model (diesel)

Gear	Maximum allowable speeds* ⁴
1st	40 km/h (24 mph)
2nd	77 km/h (48 mph)
3rd	119 km/h (74 mph)
4th	161 km/h (100 mph)
5th	202 km/h (125 mph)

* 4 : The values shown are the speeds when the engine speed is at 4,500 rpm.

Reverse Lockout

The manual transmission has lockout so you cannot accidentally shift from any forward gear to reverse while the vehicle is moving at a certain speed. If you cannot shift to reverse when the vehicle is stopped, do the following.



1. With the clutch pedal pressed, move the shift lever to the first/second gear side of the neutral gate, then shift to reverse.

2. If you are still unable to shift to reverse, apply the parking brake, and turn the ignition switch to the ACCESSORY (I) or the LOCK (0) position.
3. Press the clutch pedal, and shift to reverse.
4. With the clutch pedal still pressed, start the engine.

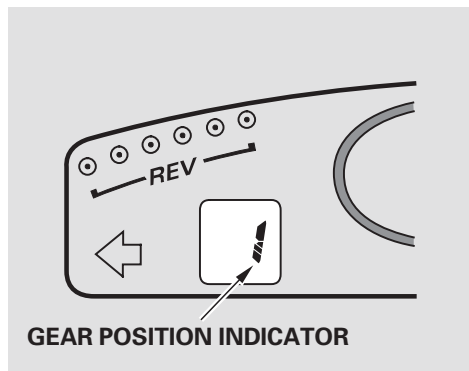
If you need to use this procedure to shift to reverse, your vehicle may be developing a problem. Have it checked by your dealer.

i-SHIFT (Automated Manual Transmission)

Your vehicle's i-SHIFT (automated manual transmission) has six forward speeds based on the 6-speed manual transmission, and gear selection and clutch operation are electronically controlled for smoother shifting and better fuel economy. With this i-SHIFT, you can operate the vehicle in either of the two driving modes: automatic and manual.

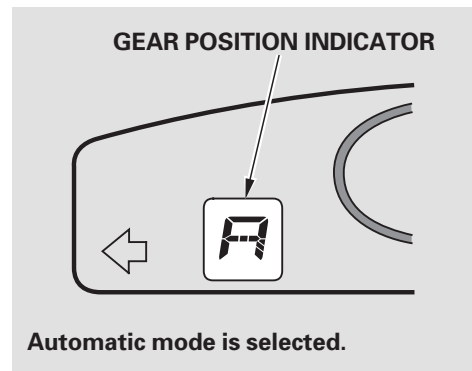
In the manual mode, you can shift up or down manually with the shift lever or the paddle shifters, much like a 6-speed manual transmission without operating the clutch pedal. In the automatic mode, the i-SHIFT allows you to drive the vehicle just like a 6-speed automatic transmission.

Gear Position Indicator



In the manual mode, the selected gear position number is displayed next to the speedometer on the upper display.

If you select the automatic mode, "A" is displayed next to the speedometer on the upper display and the REV indicator goes out. Pressing either paddle shifter or moving the shift lever back or forward will cause the transmission



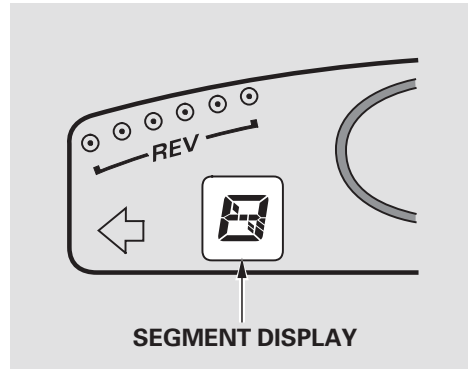
to go into the manual mode. "A" will go out and the selected gear position number will be displayed.

Pushing the shift lever to the left side (A/M position) also switches the driving mode between the automatic and manual modes.

NOTICE

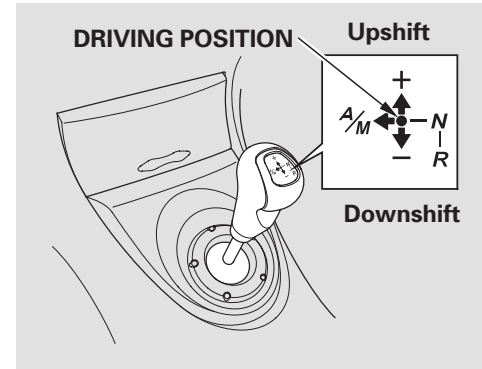
Before starting, make sure the gear position indicator in the upper display shows you that the transmission is shifted properly.

If the gear position indicator blinks, the transmission cannot be shifted. Return the shift lever to neutral, pause, then move it again while pressing the brake pedal.



When you turn the ignition switch to the ON (II) position, the segment display of the gear position indicator comes on, then it shows the appropriate shift lever position (A, N or R). If the battery is not well charged or goes dead, you must move the shift lever to neutral and press on the brake pedal for about 3 seconds to show the shift lever position after reconnecting the battery or jump starting.

Shifting



The shift lever has three positions: neutral, reverse and driving positions. It must be in neutral and the brake pedal must be pressed to start the engine. You must also press on the brake pedal when you move the shift lever out from neutral to the driving position or reverse.

CONTINUED

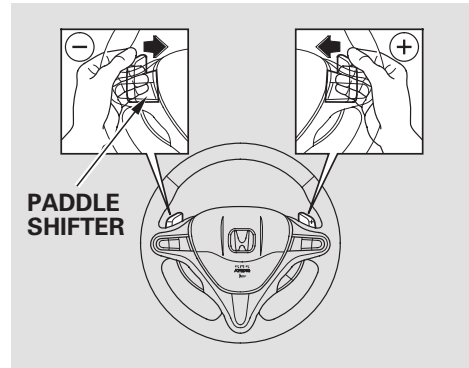
i-SHIFT (Automated Manual Transmission)

If it is needed to stop briefly while driving, keep the transmission in any gear, press firmly on the brake pedal, and keep your foot off the accelerator pedal. This prevents the vehicle from moving unexpectedly and accidentally.

Make sure the gear position indicator shows you the appropriate gear position before starting. The brake pedal must be pressed, or the gear position indicator begins to blink and the transmission cannot be shifted.

To select the automatic mode, push the shift lever to the left side (A/M position) from the driving position.

Push the shift lever forward or backward from the driving position to select the manual mode. Moving the shift lever to the A/M position also switches to the manual mode.



Pulling either of the paddle shifters also selects the manual mode when the shift lever is in the driving position.

NOTICE

- When you are not shifting, do not move the shift lever. Moving the shift lever can cause the transmission to shift into neutral unexpectedly or to switch the driving mode between the automatic and manual modes.
- With the ignition switch off, you can move the shift lever, but the transmission cannot be shifted.
- Do not keep the vehicle stopped by operating the accelerator pedal on an incline. This can damage the clutch system and the transmission.
- Do not press the brake and accelerator pedals at the same time. This can damage the clutch system and the transmission.

- Make sure the gear position indicator in the upper display shows you the appropriate gear position before starting the vehicle.
- Before turning off the engine, the transmission should be shifted to the first gear when facing uphill. On a downhill slope, it should be in reverse gear.

If there is a problem in the i-SHIFT control system while you are driving, the i-SHIFT system indicator comes on in the instrument panel. For more information, see page 336 .

Neutral (N) — Use Neutral and press on the brake pedal whenever you start the engine. If the shift lever is not in neutral (N) position or the brake pedal is not pressed, you cannot start the engine. When you are moving the shift lever from neutral to another gear, press on the brake pedal and have your foot off the accelerator pedal.

To start driving the vehicle, release the parking brake and release the brake pedal gradually, then press the accelerator pedal slowly.

As starting the vehicle is assisted by creeping for smooth operation, you can start out slowly on level ground without pressing the accelerator pedal firmly. On uphill slopes, this creeping is not effective, so always set the parking brake for starting.

If you move the shift lever from neutral to the driving position or reverse without pressing the brake pedal, the gear position indicator begins to blink and the transmission cannot be shifted. The control system still allows you to start the vehicle by pressing and releasing the brake pedal within about 25 seconds.

If you need to restart a stalled engine, also use neutral position (see page 456 for **Jump Starting**).

CONTINUED

i-SHIFT (Automated Manual Transmission)

If you cannot shift into any gear from neutral, the gear position indicator will blink in the upper display. This means the transmission is in the neutral position regardless of the shift lever position. If this happens, return the shift lever to the neutral position, pause, and then move it out from neutral while pressing on the brake pedal.

If the driver's door is open with the shift lever in the driving position or reverse and the engine running, the alarm sounds continuously and the gear position indicator is blinking.

NOTICE

Do not move the shift lever to the neutral position while driving. You will lose engine braking and may lose control of the vehicle.

Reverse (R) — Come to a full stop before you shift into reverse. You can damage the transmission by trying to shift into reverse with the vehicle moving.

Your vehicle has a reverse lockout to prevent the transmission from shifting into reverse from any forward gear. The transmission will not enter into reverse gear while the vehicle speed is over 3 km/h (2 mph) if you move the shift lever to reverse from neutral or any other forward gear unexpectedly. Do not try to shift into reverse with the vehicle moving to prevent transmission damage.

Make sure the gear position indicator shows “R” before starting the vehicle.

Driving in Automatic Mode

The i-SHIFT automatically selects a suitable gear (1 through 6) for your speed and acceleration.

When you start the vehicle, the automatic mode is selected automatically for smooth operation. You will see the “A” indicator in the upper display. While driving, the transmission automatically upshifts from the lower gear to the higher gear and also downshifts automatically.

The transmission downshifts to the first gear as the vehicle comes to a complete stop.

When you accelerate from a stop, the transmission starts in the first gear in the automatic mode. Before starting off, make sure the gear position indicator shows “A” position.

To switch the driving mode between the manual and automatic modes, push the shift lever to the left side (A/M position) from the driving position. You can also return to the manual mode by pushing the shift lever forward or backward from the driving position. Pulling either paddle shifter on the steering wheel also switches to the manual mode.

In the automatic mode, the automatic mode indicator (A) is displayed in the upper display, and the REV indicator goes out. If you change to the manual mode, “A” indicator goes out, then the currently selected gear position number is displayed.

For faster acceleration while driving, you can get the transmission to automatically downshift by pushing the accelerator pedal to the floor.

When the control system releases the clutch to change a gear, you may feel deceleration depending on the driving conditions.

You will hear a mechanical noise and feel a vibration when the transmission shifts up or down. This is normal; it is the transmission shifting mechanically according to the signals from the control system.

Downshifting gives you more power when climbing, and provides engine braking when going down a steep hill. To downshift, push the shift lever backward or pull the left side paddle shifter (–). This will switch the driving mode to the manual mode. To return to the automatic mode, push the shift lever to the left side (A/M position).

Engine Speed Limiter

If you exceed the maximum speed for the gear you are in, the engine speed will enter into the tachometer’s red zone. If this occurs, you may feel the engine cut in and out. This is caused by a limiter in the engine’s computer controls. The engine will run normally when you reduce the rpm below the red zone.

CONTINUED

i-SHIFT (Automated Manual Transmission)

Driving in Manual Mode

You can shift up or down manually with the shift lever or the paddle shifters. To enter the manual mode, move the shift lever to the A/M position, push the shift lever forward or backward from the driving position, push the shift lever forward or backward from the driving position, or pull either paddle shifter with the shift lever in the driving position.

To shift up, push the shift lever forward. To shift down, pull the shift lever backward.

You can also shift up or down with the + (right side) or - (left side) paddle shifters on each side of the steering wheel. To shift up, pull the right side paddle shifter (+). To shift down, pull the left side paddle shifter (-).

Each time you push or pull the shift lever, or pull either paddle shifter, the transmission shifts one gear up or down. According to the driving conditions, you can shift up or down more than two gears at a time.

When you select the manual mode, the automatic mode indicator (A) in the upper display goes out, then the currently selected gear position number is displayed. The REV indicator also comes on if the setting is on. To return to the automatic mode, push the shift lever to the left side from the driving position. You will see "A" in the upper display.

In the manual mode, the transmission keeps the selected gear in normal driving. There is no automatic downshift when you push the accelerator pedal to the floor. But if you press the brake and the vehicle slows down to a certain speed, the transmission downshifts

automatically and selects the suitable gear to prevent the engine from stalling.

If you try to downshift at a speed that would cause the engine to exceed the redline in a lower gear, the transmission does not downshift. When the vehicle speed slows to below the redline of the selected lower gear position, the transmission downshifts, and the display shows the selected lower gear position number.

Also, if you try to shift up before the engine speed has reached the allowable engine speed in the selected higher gear, the transmission will not shift up.

When you accelerate from a stop, the transmission starts in the first gear, and you must manually upshift between first and sixth gears. Downshifting also gives you more power when climbing. Make sure you upshift before the engine speed reaches the tachometer's red zone.

When slowing down, you can get extra braking from the engine by shifting to a lower gear. This extra braking can help you maintain a safe speed and prevent your brakes from overheating while going down a steep hill. Before down shifting, make sure the engine speed will not go into the tachometer's red zone in the lower gear.

Do not drive in the higher gears when the vehicle speed is low.

The transmission downshifts to the first gear when the vehicle comes to a complete stop. Also it downshifts automatically to the first gear when the vehicle speed reaches about 5 km/h (3 mph) or less.

WARNING

Rapid acceleration or deceleration can cause loss of control on slippery surfaces, and you can be injured in a crash.

Use extra care when driving on slippery surfaces.

Drive in the highest gear that lets the engine run and accelerate smoothly. This will give you the best fuel economy and effective emissions control.

Maximum Allowable Speeds

The speeds in this table are the maximum allowable speeds in each gear. If you exceed the maximum speed for the gear you are in, the engine speed will enter into the tachometer's red zone. If this occurs, you may feel the engine cut in and out. This is caused by a limiter in the engine's computer controls. The engine will run normally when you reduce the rpm below the red zone.

Even though your vehicle's gear operation is controlled electronically, make sure the vehicle will not exceed the maximum allowable speed specified in the table before downshifting.

CONTINUED

1.8 l engine model

Gear	Maximum allowable speeds
1st	57 km/h (36 mph)
2nd	97 km/h (60 mph)
3rd	139 km/h (86 mph)
4th	172 km/h (107 mph)
5th	213 km/h (132 mph)

Starting in Second Gear

To start the vehicle in second gear, start the engine, then push the shift lever forward once from the driving position or press the right side paddle shifter (+) on the steering wheel once. Make sure the gear position indicator on the upper display shows “2” before starting out. Starting out in the second gear will help to reduce wheel spin in deep snow or on a slippery surface.

Driving on Hills

Make sure to set the parking brake when starting off on an incline.

NOTICE

- When you stop the vehicle with the engine running on an uphill slope, never keep the vehicle stopped by operating the accelerator pedal. This will cause excessive clutch wear and damage the clutch system and the transmission.
- Do not try to keep the vehicle position on an uphill slope by using the stop-and-go operation. This can damage the clutch system.

Braking or Stopping

To stop briefly with the engine idling, keep the transmission in any gear, press firmly on the brake pedal, and keep your foot off the accelerator pedal.

Before moving away, make sure the gear position indicator in the upper display shows you the appropriate gear position.

If you press the brake pedal and the vehicle slows down to a certain speed, the control system releases the clutch and downshifts to a lower gear to prevent the engine from stalling.

Parking

Come to a complete stop and always set the parking brake when you park the vehicle.

Before turning off the engine, make sure the gear position indicator in the upper display shows you “A” or “1” on an uphill slope. On a downhill slope, make sure the gear position shows “R.” For more information on parking tips, see page 337 .

Additional Driving Tips

If the outside temperature is very low, the transmission may not downshift from the second gear to the first gear while driving.

The transmission cannot be downshifted while the vehicle stability assist system (VSA) is activated (see page 341).

When the system receives the signal from ABS sensors that your vehicle is making a turn, the transmission does not upshift in the automatic driving mode.

If your vehicle gets stuck, “Rocking” your vehicle between forward and reverse gear or revving up the engine and allowing the wheels to spin freely at high speeds can damage the i-SHIFT transmission. Use a tow service to prevent transmission damage (see page 479).


CONTINUED

i-SHIFT (Automated Manual Transmission)



i-SHIFT (Automated Manual Transmission) System Indicator

If this indicator comes on and stays on while driving (in any gear position), there may be problems in the i-SHIFT control system or overheating of the clutch system. If this happens, avoid rapid acceleration, frequently shifting, and driving at high speed, and have the vehicle checked by your dealer as soon as possible.

You will also see the symbol “,” or this symbol with a “CHECK SYSTEM” message in the multi-information display (see page 106).

If this indicator comes on while driving due to the clutch system overheating, it goes off when the clutch system temperature comes down. If this indicator goes off while driving to your dealer, you can continue driving normally.

The symbol/message in the multi-information display also goes off along with the i-SHIFT system indicator.

If the gear position indicator does not show the appropriate gear position, you cannot continue driving. See **Emergency Towing** on page 479 .

You should also have the dealer inspect your vehicle if this indicator comes on and off repeatedly in normal driving.

NOTICE

Driving with the i-SHIFT system indicator on can cause serious damage to the transmission and the clutch system.

Always use the parking brake when you park your vehicle. Make sure the parking brake is set firmly, or your vehicle may roll if it is parked on an incline.

On vehicles with i-SHIFT

Before turning off the engine, make sure the gear position indicator in the upper display shows you the appropriate gear position.

Parking Tips

- Make sure the windows are closed.
 - Turn off the lights.
 - Place any packages, valuables, etc., in the luggage area or take them with you.
 - Lock the doors.
- On vehicles with security system*
Check the indicator on the instrument panel to verify that the security system is set.
- Never park over dry leaves, tall grass, or other flammable materials. The hot catalytic converter could cause these materials to catch on fire.

- If the vehicle is facing uphill, turn the front wheels away from the curb, and put the transmission in first gear.
- If the vehicle is facing downhill, turn the front wheels toward the curb, and put the transmission in reverse gear.
- Make sure the parking brake is fully released before driving away. Driving with the parking brake partially set can overheat or damage the rear brakes.

NOTICE

Never install a sunshade between the upper and lower displays on the instrument panel. If you do, you could cause heat damage to the upper display on a very hot day.

Braking System

Your vehicle is equipped with front and rear disc brakes. A power assist helps reduce the effort needed on the brake pedal. The ABS helps you retain steering control when braking very hard.

Resting your foot on the pedal keeps the brakes applied lightly, builds up heat, increases wear, and reduces their effectiveness. It also keeps your brake lights on all the time, confusing drivers behind you.

Constant application of the brakes when going down a long hill builds up heat and reduces their effectiveness. Use the engine to assist the brakes by taking your foot off the accelerator and downshifting to a lower gear.

Check the brakes after driving through deep water. Apply the brakes moderately to see if they feel normal. If not, apply them gently and frequently until they do. Be extra cautious in your driving.

Braking System Design

The hydraulic system that operates the brakes has two separate circuits. Each circuit works diagonally across the vehicle (the left-front brake is connected with the right-rear brake, etc.). If one circuit should develop a problem, you will still have braking at two wheels.

Brake Wear Indicators

All four disc brakes have audible brake pad wear indicators.

If the brake pads need replacing, you will hear a distinctive, metallic screeching sound when you apply the brake pedal. If you do not have the brake pads replaced, they will screech all the time. It is normal for the brakes to occasionally squeal or squeak when you apply them.

The anti-lock brake system (ABS) helps prevent the wheels from locking up, and helps you retain steering control by pumping the brakes rapidly, much faster than a person can do it.

The electronic brake distribution (EBD) system, which is part of the ABS, also balances the front-to-rear braking distribution according to vehicle loading.

You should never pump the brake pedal. Let the ABS work for you by always keeping firm, steady pressure on the brake pedal. This is sometimes referred to as “stomp and steer.”


You will feel a pulsation in the brake pedal when the ABS activates, and you may hear some noise. This is normal: it is the ABS rapidly pumping the brakes. On dry road, you will need to press on the brake pedal very hard before the ABS activates. However, you may feel the ABS activate immediately if you are trying to stop on snow or ice.



ABS Indicator

If the ABS indicator comes on, the anti-lock function of the braking system has shut down. The brakes still work like a conventional system, but without anti-lock. You should have your dealer inspect your vehicle as soon as possible.

If the ABS indicator comes on while driving, test the brakes as instructed on page 470 .

You will also see the symbol “  ,” or this symbol with a “CHECK SYSTEM” message on the multi-information display.

CONTINUED

Anti-lock Brakes (ABS)

If the ABS indicator and the brake system indicator come on together, and the parking brake is fully released, the EBD system may also be shut down.

Test your brakes as instructed on page 470 . If the brakes feel normal, drive slowly and have your vehicle repaired by your dealer as soon as possible. Avoid sudden hard braking which could cause the rear wheels to lock up and possibly lead to a loss of control.

The VSA indicator will come on along with the ABS indicator.

Important Safety Reminders
ABS does not reduce the time or distance it takes to stop the vehicle. It only helps with steering control during braking.

ABS will not prevent a skid that results from changing direction abruptly, such as trying to take a corner too fast or making a sudden lane change. Always drive at a safe speed for the road and weather conditions.

ABS cannot prevent the loss of stability. Always steer moderately when you are braking hard. Severe or sharp steering wheel movement can still cause your vehicle to veer into oncoming traffic or off the road.

A vehicle with ABS may require a longer distance to stop on loose or uneven surfaces, such as gravel or snow, than a vehicle without anti-lock.

The vehicle stability assist (VSA) system helps to stabilize the vehicle during cornering if the vehicle turns more or less than desired. It also assists you in maintaining traction while accelerating on loose or slippery road surfaces. It does this by regulating the engine's output and by selectively applying the brakes.

When VSA activates, you may notice that the engine does not respond to the accelerator in the same way it does at other times. There may also be some unusual noise from the modulator. You will also see the VSA activation indicator blink.

The VSA system cannot enhance the vehicle's driving stability in all situations and does not control your vehicle's entire braking system. It is still your responsibility to drive and corner at reasonable speeds and to leave a sufficient margin of safety.

If the VSA system is off and you accelerate from a stop, the vehicle may pull, and it may take extra effort to return the steering wheel to centre.



VSA Activation Indicator

When VSA activates, you will see the VSA Activation indicator blink.



VSA System Indicator

The VSA system indicator (see page 81) comes on and stays on when there is a problem with the VSA system. The VSA activation indicator will also come on.

If the VSA system indicator comes on while driving, pull to the side of the road when it is safe, and turn off the engine. Reset the system by restarting the engine. If the VSA system indicator stays, or comes back on while driving, have the VSA system inspected by your dealer.

If the indicator does not come on when the ignition switch is turned to the ON (II) position, there may be a problem with the VSA system. Have your dealer inspect your vehicle as soon as possible.

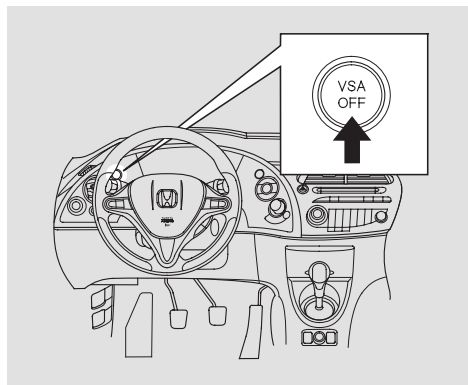
Without VSA, your vehicle will have normal braking and cornering ability, but it will not have VSA traction and stability enhancement.

Vehicle Stability Assist (VSA) System

VSA Off Switch

In certain unusual conditions when your vehicle gets stuck in shallow mud or fresh snow, it may be easier to free it with the VSA temporarily switched off. When the VSA system is off, the traction control system is also off. You should only attempt to free your vehicle with the VSA off if you are not able to free it when the VSA is on.

Immediately after freeing your vehicle, be sure to switch the VSA on again. We do not recommend driving your vehicle with the VSA and traction control systems switched off.



This switch is next to the driver's side vent. Press it to turn the VSA system on and off.

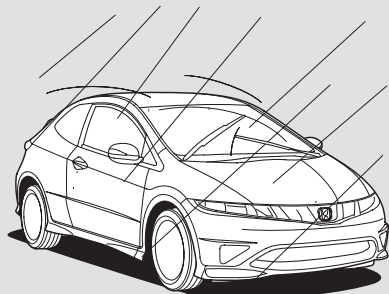
When VSA is off, the VSA activation indicator comes on as a reminder.

VSA is turned on every time you start the engine, even if you turned it off the last time you drove the vehicle.

VSA and Tyre Sizes

Driving with varying tyre or wheel sizes may cause the VSA to malfunction. When replacing tyres, make sure they are of the same size and type as your original tyres (see page 414).

If you install winter tyres, make sure they are the same size as those that were originally supplied with your vehicle. Exercise the same caution during winter driving as you would if your vehicle was not equipped with VSA.



Rain, fog, and snow conditions require a different driving technique because of reduced traction and visibility. Keep your vehicle well-maintained and exercise greater caution when you need to drive in bad weather. The cruise control (on some types) should not be used in these conditions.

Driving Technique — Always drive slower than you would in dry weather. It takes your vehicle longer to react, even in conditions that may seem just barely damp. Apply smooth, even pressure to all the controls. Abrupt steering wheel movements or sudden, hard application of the brakes can cause loss of control in wet weather. Be extra cautious for the first few kilometers (miles) of driving while you adjust to the change in driving conditions. This is especially true in snow. A person can forget some snow-driving techniques during the summer months. Practice is needed to relearn those skills.

Exercise extra caution when driving in rain after a long dry spell. After months of dry weather, the first rains bring oil to the surface of the roadway, making it slippery.

CONTINUED

Driving in Bad Weather

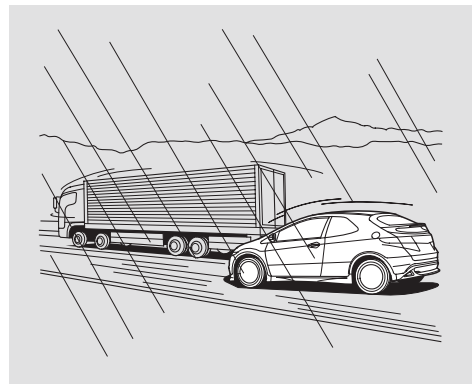
Visibility — Being able to see clearly in all directions and being visible to other drivers are important in all weather conditions. This is more difficult in bad weather. To be seen more clearly during daylight hours, turn on your headlights.

Inspect your windscreen wipers and washers frequently. Keep the windscreen washer reservoir full of the proper fluid. Have the windscreen wiper blades replaced if they start to streak the windscreen or leave parts unwiped. Use the demister and air conditioning (on some types) to keep the windows from fogging up on the inside (see pages 202 and 208).

Traction — Check your tyres frequently for wear and proper pressure. Both are important in preventing “aquaplaning” (loss of traction on a wet surface). In the winter, mount snow tyres on all four wheels for the best handling.

Watch road conditions carefully, they can change from moment to moment. Wet leaves can be as slippery as ice. “Clear” roads can have patches of ice. Driving conditions can be very hazardous when the outside temperature is near freezing. The road surface can become covered with areas of water puddles mixed with areas of ice, so your traction can change without warning.

Be careful when downshifting. If traction is low, you can lock up the drive wheels for a moment and cause a skid.



Be very cautious when passing, or being passed by other vehicles. The spray from large vehicles reduces your visibility, and the wind buffeting can cause you to lose control.

CAUTION: *Do not drive on the road where water is deep. Driving through deep water will cause damage to the engine and electrical equipment and the vehicle will break down.*

Your vehicle has been designed primarily to carry passengers and their luggage. You can also use it to tow a trailer if you carefully observe the load limits, use the proper equipment, and follow the guidelines in this section.

On Type-R model

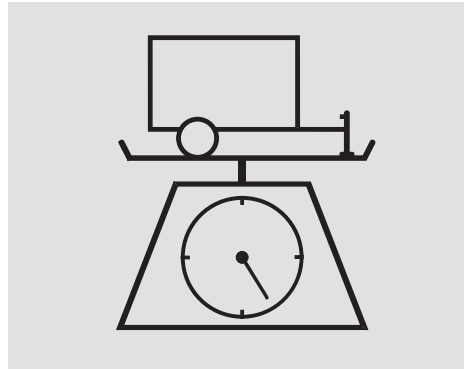
Your vehicle is not designed to tow a trailer.

⚠ WARNING

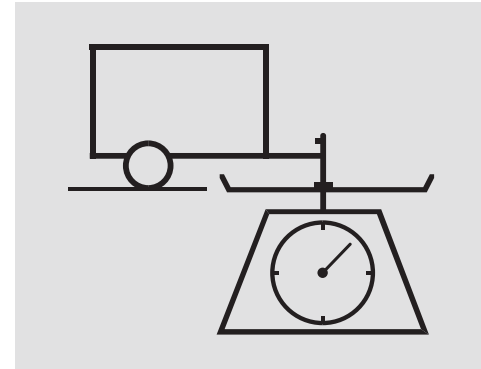
Exceeding any load limit or improperly loading your vehicle and trailer can cause a crash in which you can be seriously hurt or killed.

Check the loading of your vehicle and trailer carefully before starting to drive.

Load Limits



- The total weight of the trailer and towbar (with/without brakes) plus its luggage must not exceed the maximum towing weight. See page 488 .



- The trailer nose load should never exceed 75 kg (165 lbs). This is the amount of weight the trailer puts on the towbar when it is fully-loaded. As a rule of thumb for trailer weights of less than 750 kg (1,653 lbs), the trailer nose load should be 10 percent of the total trailer package.

CONTINUED

Towing a Trailer

- For example, if the trailer and its load weigh 225 kg (500 lbs), the trailer nose load should be 22.5 kg (50 lbs). Adjust trailer's luggage to change the trailer nose load. Start by putting approximately 60 percent of the luggage toward the front and 40 percent toward the rear. With a trailer package of more than 750 kg (1,653 lbs), you may need to adjust the luggage weight toward the rear. Never load the trailer so the back is heavier than the front. This takes weight off your vehicle's rear axle and reduces traction.

- The maximum permissible weight must not exceed the specified limit as shown on page 488 .
- The maximum permissible weight is total weight of the vehicle, driver, passengers, luggage and towbar.
- Please consider that the installation of optionals (and trailer nose load when towing a trailer) will reduce the loading capacity.

Towing a load that is too heavy can seriously affect your vehicle's handling and performance. It can also damage the engine and drivetrain.

Checking Loads

The best way to confirm that vehicle and trailer weights are within limits is to have them checked at a public scale.

Using a suitable scale or a special trailer nose load gauge, check the total weight, the weight at each axle and the trailer nose load the first time you set up a towing combination (a fully-loaded vehicle and trailer), then recheck the loads whenever the conditions change.

Towing Equipment and Accessories

Towing can require a variety of equipment, depending on the size of your trailer, how it will be used, how much load you are towing, and where you tow.

Discuss your needs with your trailer sales or rental agency, and follow the guidelines in this section. Also make sure that all equipment is properly installed and maintained, and that it meets the country's regulations where you are driving.

Towbars

Any towbar used on your vehicle must be properly bolted to the underbody.

Refer to page 487 for the towbar mounting points.

Safety Chains

Always use safety chains when you tow a trailer. Make sure the chains are secured to the trailer and towbar, and that they cross under the trailer nose and can catch the trailer if it becomes unhitched. Leave enough slack to allow the trailer to turn corners easily, but do not let the chains drag on the ground.

Trailer Brakes

If you are thinking of getting a trailer that has brakes, be sure they are electronically actuated. Do not attempt to tap into your vehicle's hydraulic system. No matter how successful it may seem, any attempt to attach trailer brakes to your vehicle's hydraulic system will lower braking effectiveness and create a potential hazard.

See your trailer dealer or rental agency for more information on installing electric brakes.

CONTINUED

Towing a Trailer

Trailer Lights

Trailer lights and equipment must comply with the country's regulations where you are driving. Check the requirements for the areas where you plan to tow, and use only equipment designed for your vehicle.

You can get an optional trailer lighting connector for your vehicle from your dealer.

Since lighting and wiring vary by trailer type and brand, you should have a qualified technician install a suitable connector between the vehicle and the trailer. Improper equipment or installation can cause damage to your vehicle's electrical system.

Always consult your dealer before connecting the trailer lights to your vehicle's lighting system.

Additional Trailer Equipment

There may be laws requiring special outside mirrors when towing a trailer. Check the local laws in the country. Even if there are no legal requirements, you should install special mirrors if you cannot clearly see behind you, or if the trailer creates a blind spot.

Ask your trailer sales or rental agency if any other items are recommended or required for your towing situation.

Pre-Tow Checklist

When preparing to tow, and before driving away, be sure to check the following:

- The vehicle has been properly serviced, and the tyres, brakes, suspension, cooling system, and lights are in good operating condition.
- The trailer has been properly serviced and is in good condition.
- All weights and loads are within limits.
- The towbar, safety chains, and any other attachments are secure.
- All items in or on the trailer are properly secured and cannot shift while you drive.

- The lights and brakes on your vehicle and the trailer are working properly.
- Your vehicle tyres and spare (if equipped) are properly inflated, and the trailer tyres and spare are inflated as recommended by the trailer maker.
- Be sure to check regulations concerning the maximum speed or driving restrictions for vehicles towing trailers. If you are driving across several countries, check each country's requirements before leaving home, because regulations may vary.

Operating speed when towing a trailer is restricted to 100 km/h (62 mph).

Driving Safely With a Trailer

The added weight, length, and height of a trailer will affect your vehicle's handling and performance, so driving with a trailer requires some special driving skills and techniques.

For your safety and the safety of others, take time to practice driving manoeuvre before heading for the open road, and follow the guidelines below.

Towing Speeds and Gears

Drive slower than normal in all driving situations, and obey posted speed limits for vehicles with trailers.

Do not exceed the limited speed when towing a trailer. At higher speeds, the trailer may sway or affect vehicle handling (see “***Driving on Hills***” in the next page for additional gear information).

If you have an i-SHIFT (automated manual transmission), use the automatic mode when towing a trailer. When you start or accelerate away from a stop, the transmission starts in the first gear and is controlled for smooth operation. Selecting the gear is electronically controlled for smoother shifting and better fuel economy according to the vehicle load and the trailer's weight.

CONTINUED

Towing a Trailer

Making Turns and Braking

Make turns more slowly and wider than normal. The trailer tracks a smaller arc than your vehicle, and it can hit or run over something the vehicle misses. Allow more time and distance for braking. Do not brake or turn suddenly as this could cause the trailer to jackknife or turn over.

Driving on Hills

When climbing hills, closely watch your temperature gauge. If it nears the red (Hot) mark, turn the air conditioning off, reduce speed and, if necessary, pull to the side of the road to let the engine cool.

When driving down hills, reduce your speed and always apply engine braking by shifting down. When going down a steep hill, use the 1st gear to provide greater engine braking.

Do not “ride” the brakes, and remember, it will take longer to slow down and stop when towing a trailer.

Driving on an uphill road of more than 12% slope is not recommended for your vehicle.

We recommend that you tow a trailer on the roads recommended by the trailer association.

On vehicles with i-SHIFT

If you must stop when facing uphill, use the foot brake or parking brake. Do not try to hold the vehicle in place by pressing on the accelerator, as this can cause the transmission and the clutch system to overheat.

Make sure to set the parking brake when starting off on an incline.

Handling Crosswinds and Buffeting

Crosswinds and air turbulence caused by passing trucks can disrupt your steering and cause trailer swaying. When being passed by a large vehicle, keep a constant speed and steer straight ahead. Do not try to make quick steering or braking corrections.

Backing Up

Always drive slowly and have someone guide you when backing up. Grip the *bottom* of the steering wheel; then turn the wheel to the left to get the trailer to move to the left, and turn the wheel right to move the trailer to the right.

Parking

Follow all normal precautions when parking, including firmly setting the parking brake and putting the transmission in 1st or reverse. Also, place wheel chocks at each of the trailer's tyres.

On Diesel models only

You should keep the engine idling for about 2 minutes before turning off the ignition switch. (Idling the engine is prohibited in some countries. Always follow the legal requirements of the countries in which you will drive.)

Regularly maintaining your vehicle is the best way to protect your investment. You will be rewarded with safer, more economical, trouble-free driving. This section lists items that need to be checked regularly and explains how to check them. It also details some simple maintenance tasks you can do yourself. The maintenance schedules show you when these things need to be done.

Maintenance Safety	354
Maintenance Schedule.....	355
Maintenance Record	363
Fluid Locations.....	364
Adding Engine Oil (Petrol models)	368
Adding Engine Oil (Diesel models).....	370
Engine Coolant (Petrol models)	372
Engine Coolant (Diesel models).....	374
Windscreen Washers	376
Manual Transmission Fluid	377
Brake and Clutch Fluid.....	378
Air Cleaner Element (Petrol models)	380
Air Cleaner Element (Diesel models).....	383
Fuel Filter	384
Lights	385
Air Conditioning System.....	405
Dust and Pollen Filter	406
Wiper Blades	408
Tyres	411
Checking the Battery	418

Vehicle Storage	420
-----------------------	-----

Maintenance Safety

All service items not detailed in this section should be performed by a certified technician or other qualified technician.

Important Safety Precautions

To eliminate potential hazards, read the instructions before you begin, and make sure you have the tools and skills required.

- Make sure your vehicle is parked on level ground, the parking brake is set, and the engine is off.
- To clean parts, use a commercially available degreaser or parts cleaner, not fuel.
- To reduce the possibility of fire or explosion, keep cigarettes, sparks, and flames away from the battery and all fuel-related parts.
- Wear eye protection and protective clothing when working with the battery or compressed air.

WARNING

Improperly maintaining this vehicle or failing to correct a problem before driving can cause a crash in which you can be seriously hurt or killed.

Always follow the inspection and maintenance recommendations and schedules in this owner's manual/Service Book.

Potential Vehicle Hazards

- **Carbon Monoxide poison from engine exhaust.** Be sure there is adequate ventilation whenever you operate the engine.
- **Burns from hot parts.** Let the engine and exhaust system cool down before touching any parts.

- **Injury from moving parts.** Do not run the engine unless instructed to do so.

WARNING

Failure to properly follow maintenance instructions and precautions can cause you to be seriously hurt or killed.

Always follow the procedures and precautions in this owner's manual.

Some of the most important safety precautions are given here. However, we cannot warn you of every conceivable hazard that can arise in performing maintenance. Only you can decide whether or not you should perform a given task.

The required maintenance schedule specifies all maintenance required to keep your vehicle in peak operating condition. Maintenance work should be performed in accordance with the standards and specifications of Honda by properly trained and equipped technicians. Your authorized dealer meets all of these requirements.

The maintenance schedule in this owner's manual should be applied except for EU countries, Australia, and New Zealand (see pages 357 to 359).

There are two types of maintenance schedule in this owner's manual. One is for petrol models (see pages 357 to 359), and the other is for diesel models (see pages 360 – 362).

In EU countries, follow the maintenance schedule in the Service Book that came with your vehicle.

In Australia, follow the maintenance schedule in the owner's warranty and service manual that came with your vehicle.

In New Zealand, follow the maintenance schedule in the service maintenance and warranty book that came with your vehicle.

The maintenance schedule assumes you will use your vehicle as normal transportation for passengers and their possessions. You should also follow these recommendations:

- Avoid exceeding your vehicle's load limit. This puts excess stress on the engine, brakes, and many other vehicle parts.
- Operate your vehicle on reasonable roads within the legal speed limit.
- Drive your vehicle regularly over a distance of several kilometres (miles).

On Petrol models

- Always use the recommended petrol only (see page 298).

On Diesel models

- Always use the recommended diesel fuel only (see page 299).

We recommend the use of genuine Honda parts and fluids or their equivalent whenever you have maintenance done. These are the same high-quality items that went into your vehicle when it was new, so you can be sure they fit and perform flawlessly.

NOTICE

On Diesel models

Do not press the engine cover forcibly. This may damage the engine cover and component parts.

Maintenance Schedule

Owner's Maintenance Checks

You should check the following items at the use or specified intervals.

- Engine oil level — Check every time you fill the fuel tank. See page 302 .
- Engine coolant level —
On Petrol models
Check the radiator reserve tank every time you fill the fuel tank. See page 304 .

On Diesel models
Check the expansion tank every time you fill the fuel tank. See page 305 .
- Windscreen washer fluid — Check the level in the reservoir monthly. If weather conditions cause you to use the washers frequently, check the reservoir each time you stop for fuel. See page 376 .

- Windscreen wipers — Check the wiper condition monthly. If the wipers do not wipe the windscreen securely, check them for wear, cracks, and other damage.
- Brakes and clutch — Check the fluid level monthly. See page 378 .
- Brake pedal — Check the brake pedal for smooth operation.
- Parking brake — Check the parking brake lever for smooth operation.
- Tyres — Check the tyre pressure monthly. Examine the tread for wear and foreign objects. See page 411 .
- Battery — Check its condition and the terminals for corrosion monthly. See page 418 .

- Air conditioning system (on some types) — Check its operation weekly. See page 405 .
- Windscreen demister — Operate the heater and air conditioning and check the demister vents monthly.
- Lights — Check the operation of the headlights, position lights, tail-lights, high-mount brake light, and licence plate lights monthly. See page 385 .
- Doors — Check the tailgate and both doors for smooth opening/closing and secure locking.
- Horn — Check the horn operation.

Maintenance Schedule for Petrol Models (Except EU, Australia and New Zealand)

Service at the indicated distance or time — whichever comes first.	km x 1,000	20	40	60	80	100	120	140	160	180	200
	miles x 1,000	12.5	25.0	37.5	50.0	62.5	75.0	87.5	100.0	112.5	125.0
	months	12	24	36	48	60	72	84	96	108	120
Replace engine oil* ¹	Normal	Every 10,000 km (6,250 miles) or 1 year									
	Severe* ²	Every 5,000 km (3,125 miles) or 6 months									
Replace engine oil filter* ¹	Normal	●	●	●	●	●	●	●	●	●	●
	Severe* ²	Every 10,000 km (6,250 miles) or 6 months									
Clean air cleaner element (Dry type only)	Every 10,000 km (6,250 miles)										
Replace air cleaner element	Every 20,000 km (12,500 miles)										
Inspect valve clearance	Every 40,000 km (25,000 miles)										
Replace fuel filter* ³				●					●		
Replace spark plugs Iridium type	Every 100,000 km (62,500 miles)										
Inspect drive belt		●		●		●		●		●	
Inspect idle speed						●					
Replace engine coolant	At 200,000 km (120,000 miles) or 10 years, thereafter every 100,000 km (60,000 miles) or 5 years										

This maintenance schedule outlines the minimum required maintenance that you should perform to ensure the trouble-free operation of your vehicle. Due to regional and climatic differences, some additional servicing may be required. Please consult your warranty booklet for a more detailed description.

* 1 : Only severe schedule is required in some countries: refer to the local warranty booklet that came with your vehicle.

* 2 : Refer to page 359 for replacement information under severe conditions.

* 3 : Refer to page 384 for replacement information under severe driving conditions.

CONTINUED

Maintenance Schedule for Petrol Models (Except EU, Australia and New Zealand)

Service at the indicated distance or time – whichever comes first.	km x 1,000		20	40	60	80	100	120	140	160	180	200
	miles x 1,000		12.5	25.0	37.5	50.0	62.5	75.0	87.5	100.0	112.5	125.0
	months		12	24	36	48	60	72	84	96	108	120
Replace transmission fluid* ¹	M/T	Normal						●				
		Severe			●			●			●	
	i-SHIFT	Normal						●				
		Severe			●			●			●	
Inspect front and rear brakes	Every 10,000 km (6,250 miles) or 6 months											
Replace brake fluid	Every 3 years (independent of distance)											
Check parking brake adjustment			●	●		●		●		●		●
Replace dust and pollen filter (if equipped)			●	●	●	●	●	●	●	●	●	●
Check expiry date for TRK bottle (if equipped)			●	●	●	●	●	●	●	●	●	●
Rotate tyres (Check tyre inflation and condition at least once per month)	Rotate tyres every 10,000 km (6,250 miles)											
Visually inspect the following items:												
Tie rod ends, steering gear box and boots	Every 10,000 km (6,250 miles) or 6 months											
Suspension components												
Driveshaft boots												
Brake hoses and lines (including ABS)			●	●	●	●	●	●	●	●	●	●
All fluid levels and condition of fluids			●	●	●	●	●	●	●	●	●	●
Exhaust system												
Fuel lines and connections												

* 1: Refer to page 359 for replacement information under severe conditions.

Maintenance Schedule for Petrol Models (Except EU, Australia and New Zealand)

NOTE:

If you drive your vehicle under one or more of the following severe conditions, the following items must be serviced according to the maintenance schedule indicated as Severe.

Severe driving conditions:

A: Driving less than 8 km (5 miles) per trip, or in freezing temperatures, driving less than 16 km (10 miles) per trip.

B: Driving in extremely hot [over 35°C (95°F)] conditions.

C: Extensive idling or long periods of stop-and-go driving.

D: Trailer towing, driving with a loaded roof rack, or driving in mountainous conditions.

E: Driving on muddy, dusty, or de-iced roads.

Items	Condition
Engine oil and oil filter	A, B, C, D, E
Manual transmission fluid (M/T, i-SHIFT)	B, D

Maintenance Schedule for Diesel Models (Except EU)

Service at the indicated distance or time – whichever comes first.	km x 1,000		20	40	60	80	100	120	140	160	180	200
	miles x 1,000		12.5	25.0	37.5	50.0	62.5	75.0	87.5	100.0	112.5	125.0
	months		12	24	36	48	60	72	84	96	108	120
Replace engine oil and oil filter* ¹	Normal		Every 10,000 km (6,250 miles) or 1 year									
	Severe		Every 5,000 km (3,125 miles) or 6 months									
Replace air cleaner element* ¹ (Wet type)	Normal		Every 20,000 km (12,500 miles)									
	Severe		Every 10,000 km (6,250 miles)									
Replace fuel filter			●	●	●	●	●	●	●	●	●	●
Inspect drive belt				●		●		●		●		●
Replace engine coolant							●			●		
Replace transmission fluid* ¹	M/T	Normal						●				
		Severe			●			●			●	
Inspect front and rear brakes			Every 10,000 km (6,250 miles) or 6 months									

* 1: Refer to page 362 for replacement information under severe conditions.

This maintenance schedule outlines the minimum required maintenance that you should perform to ensure the trouble-free operation of your vehicle. Due to regional and climatic differences, some additional servicing may be required. Please consult your warranty booklet for a more detailed description.

Maintenance Schedule for Diesel Models (Except EU)

Service at the indicated distance or time – whichever comes first.	km x 1,000	20	40	60	80	100	120	140	160	180	200
	miles x 1,000	12.5	25.0	37.5	50.0	62.5	75.0	87.5	100.0	112.5	125.0
	months	12	24	36	48	60	72	84	96	108	120
Replace brake fluid	Every 3 years (independent of distance)										
Check parking brake adjustment	●	●		●		●		●		●	
Replace dust and pollen filter (if equipped)	●	●	●	●	●	●	●	●	●	●	●
Check expiry date for TRK bottle (if equipped)	●	●	●	●	●	●	●	●	●	●	●
Rotate tyres (Check tyre inflation and condition at least once per month)	Rotate tyres every 10,000 km (6,250 miles)										
Visually inspect the following items:											
Tie rod ends, steering gear box and boots Suspension components Driveshaft boots	Every 10,000 km (6,250 miles) or 6 months										
Brake hoses and lines (including ABS) All fluid levels and condition of fluids Exhaust system Fuel lines and connections	●	●	●	●	●	●	●	●	●	●	●

* 1 : Refer to page 362 for replacement information under severe conditions.

CONTINUED

Maintenance Schedule for Diesel Models (Except EU)

NOTE:

If you drive your vehicle under one or more of the following severe conditions, the following items must be serviced according to the maintenance schedule indicated as Severe.

Severe driving conditions:

A: Driving less than 8 km (5 miles) per trip, or in freezing temperatures,

driving less than 16 km (10 miles) per trip.

B: Driving in extremely hot [over 35°C (95°F)] conditions.

C: Extensive idling or long periods of stop-and-go driving.

D: Trailer towing, driving with a loaded roof rack, or driving in mountainous conditions.

E: Driving on muddy, dusty, or de-iced roads.

Items	Condition
Engine oil and oil filter	A, B, C, D, E
Air cleaner element	D, E
Manual transmission fluid	B, D

Maintenance Record (Except EU)

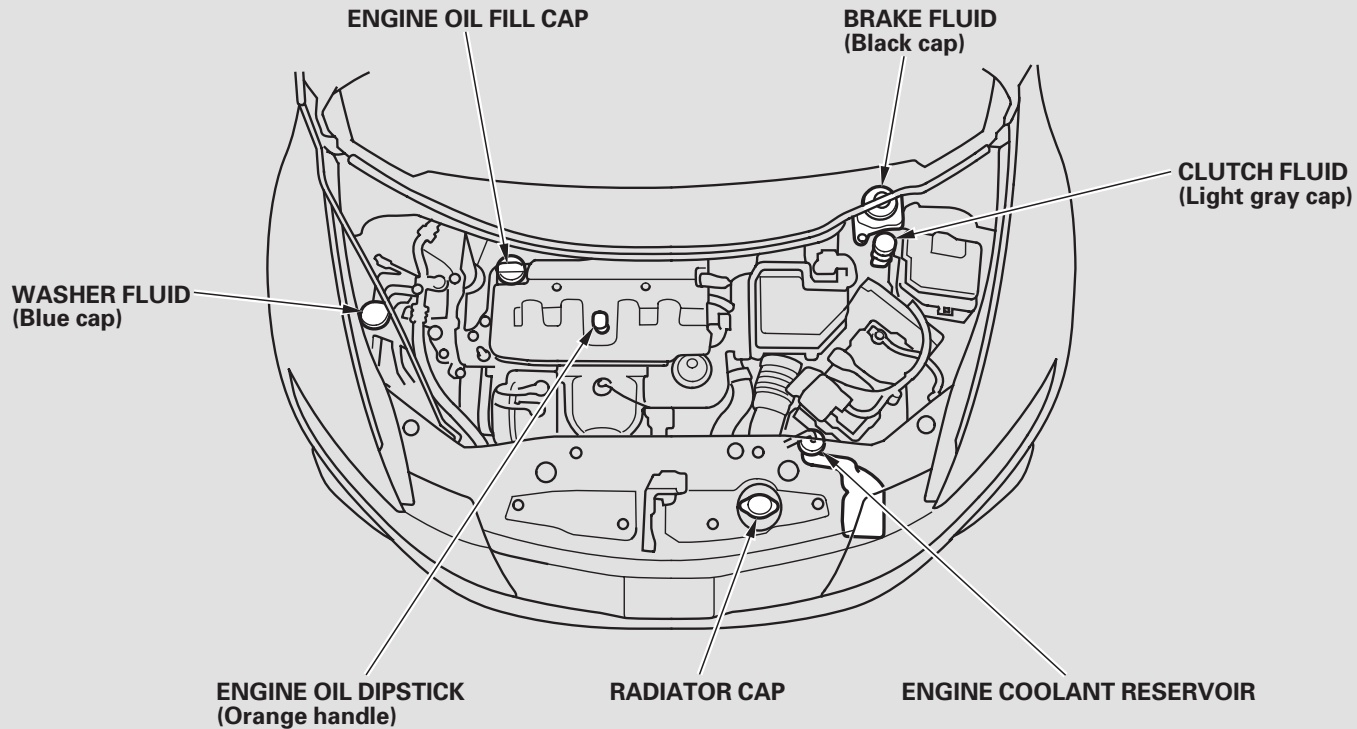
Have your servicing dealer record all required maintenance below. Keep receipts for all work done on your vehicle.

20,000 km 12,500 Mi. (or 12 Mo.)	(Sign or Stamp)	Km (Mi.) or Month
		Date
40,000 km 25,000 Mi. (or 24 Mo.)	(Sign or Stamp)	Km (Mi.) or Month
		Date
60,000 km 37,500 Mi. (or 36 Mo.)	(Sign or Stamp)	Km (Mi.) or Month
		Date
80,000 km 50,000 Mi. (or 48 Mo.)	(Sign or Stamp)	Km (Mi.) or Month
		Date
100,000 km 62,500 Mi. (or 60 Mo.)	(Sign or Stamp)	Km (Mi.) or Month
		Date

120,000 km 75,000 Mi. (or 72 Mo.)	(Sign or Stamp)	Km (Mi.) or Month
		Date
140,000 km 87,500 Mi. (or 84 Mo.)	(Sign or Stamp)	Km (Mi.) or Month
		Date
160,000 km 100,000 Mi. (or 96 Mo.)	(Sign or Stamp)	Km (Mi.) or Month
		Date
180,000 km 112,500 Mi. (or 108 Mo.)	(Sign or Stamp)	Km (Mi.) or Month
		Date
200,000 km 125,000 Mi. (or 120 Mo.)	(Sign or Stamp)	Km (Mi.) or Month
		Date

Fluid Locations (Petrol models with manual transmission)

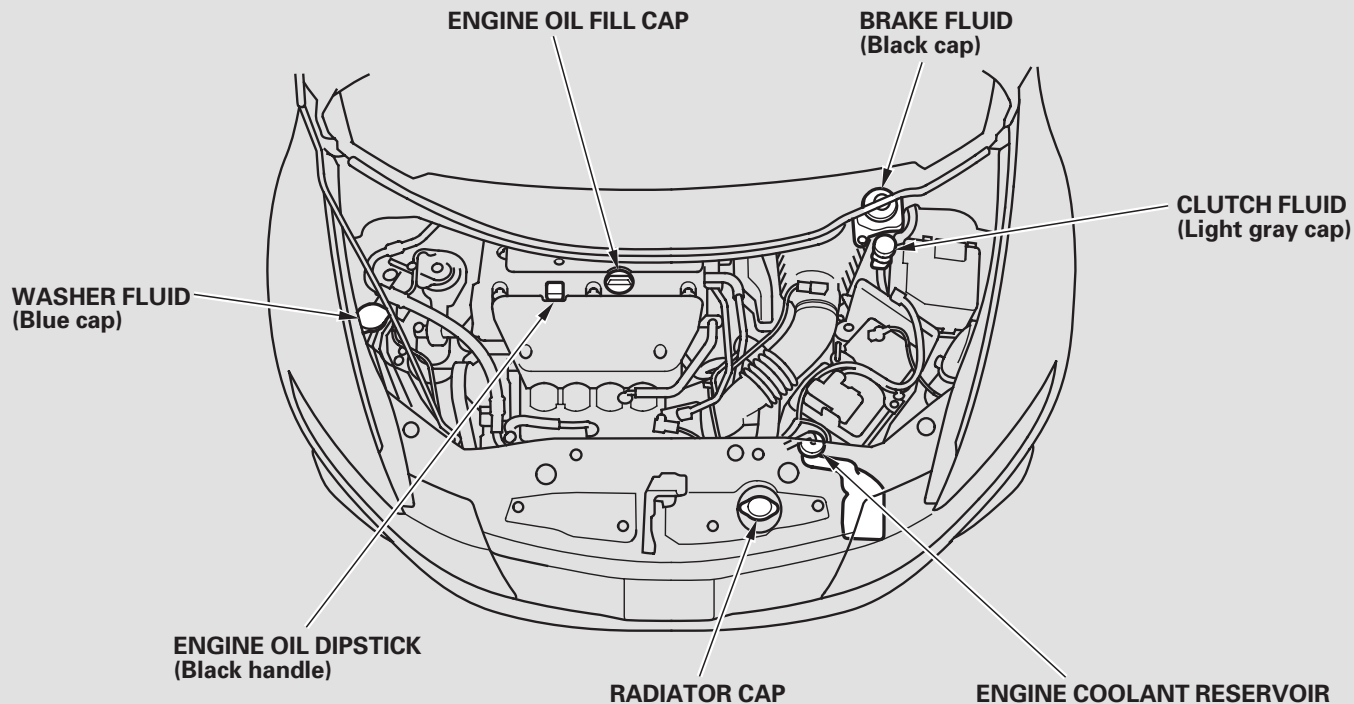
1.8 l engine model



Left-hand drive model is shown.

Fluid Locations (Petrol models with manual transmission)

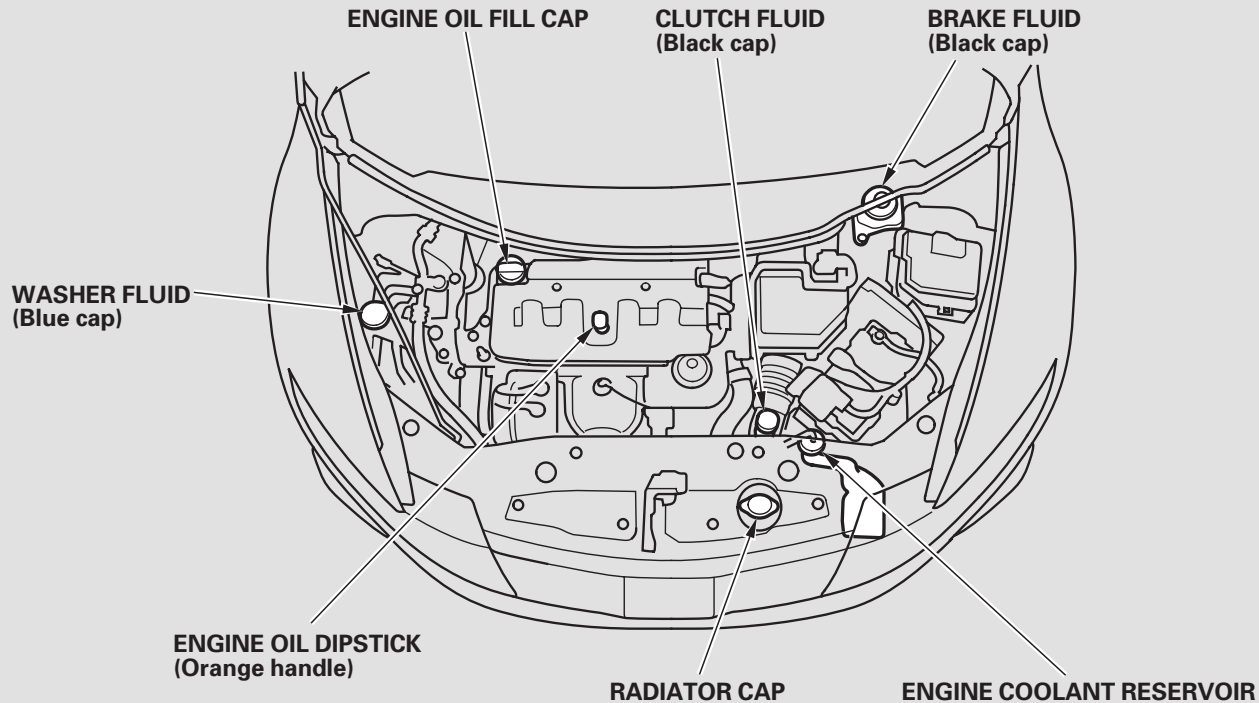
2.0 l engine model (Type-R)



Left-hand drive model is shown.

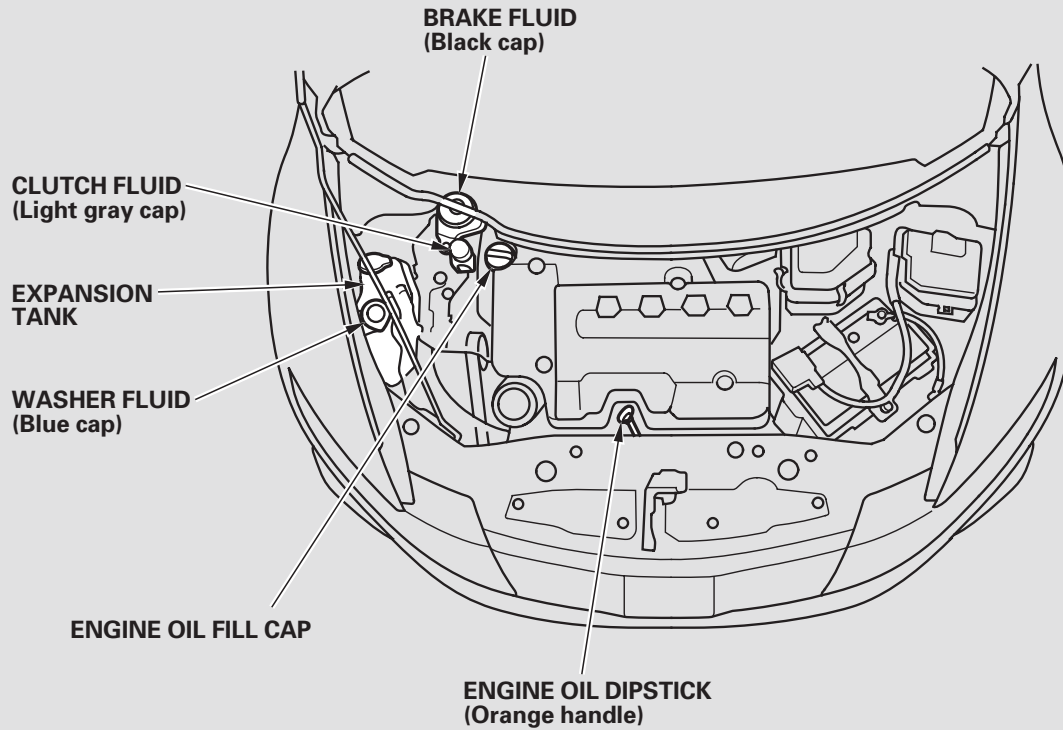
Fluid Locations (Petrol models with i-SHIFT)

1.8 l engine model (i-shift)



Left-hand drive model is shown.

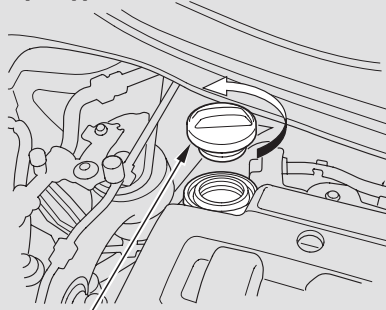
Diesel model



Right-hand drive model is shown.

Adding Engine Oil (Petrol models)

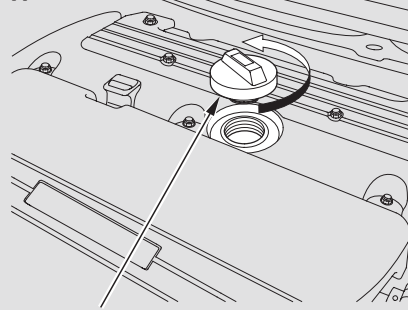
Except Type-R



ENGINE OIL FILL CAP

Unscrew and remove the engine oil fill cap on the valve cover. Pour in the oil slowly and carefully so you do not spill any. Clean up any spills immediately. Spilled oil could damage components in the engine compartment.

Type-R



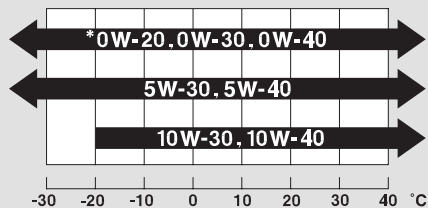
ENGINE OIL FILL CAP

Reinstall the engine oil fill cap, and tighten it securely. Let the engine warm up and turn off the engine, let it sit for approximately 3 minutes, then check the oil level on the engine oil dipstick. Do not fill above the upper mark; you could damage the engine.

Recommended Engine Oil *European models*

Oil is a major contributor to your engine's performance and longevity. Always use a premium-grade detergent oil. It is highly recommended that you use genuine Honda Motor Oil, "ACEA A1/B1," "ACEA A3/B3," or "ACEA A5/B5" in your vehicle for as long as you own it.

You can select the proper SAE/ACEA viscosity oil for your vehicle according to this chart:



Ambient Temperature

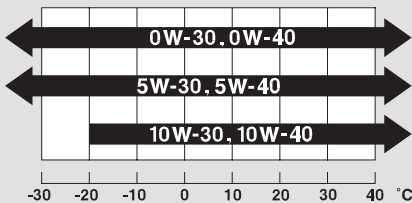
* : Except Type-R

This oil is formulated to help your engine use less fuel.

Except for European models

Oil is a major contributor to your engine's performance and longevity. Always use a premium-grade detergent oil. It is highly recommended that you use genuine Honda Motor Oil in your vehicle for as long as you own it.

You can select the proper SAE viscosity oil for your vehicle according to this chart:



Ambient Temperature

Always use an API service SL or higher grade fuel-efficient oil. This oil is formulated to help your engine use less fuel.

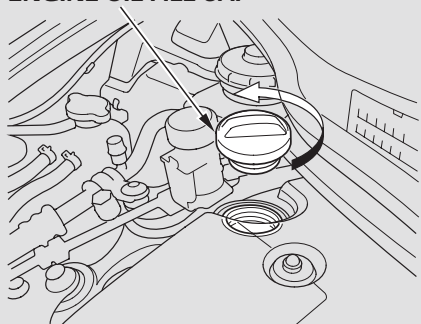
Engine Oil Additives

Your vehicle does not require any oil additives. Additives may adversely affect your engine's or transmission's performance and durability.

CONTINUED

Adding Engine Oil (Diesel models)

ENGINE OIL FILL CAP



Unscrew and remove the engine oil fill cap on the valve cover. Pour in the oil slowly and carefully so you do not spill any. Clean up any spills immediately. Spilled oil could damage components in the engine compartment.

Reinstall the engine oil fill cap, and tighten it securely. Let the engine warm up and turn off the engine, let it sit for approximately 3 minutes, then check the oil level on the engine oil dipstick. Do not fill above the upper mark; you could damage the engine.

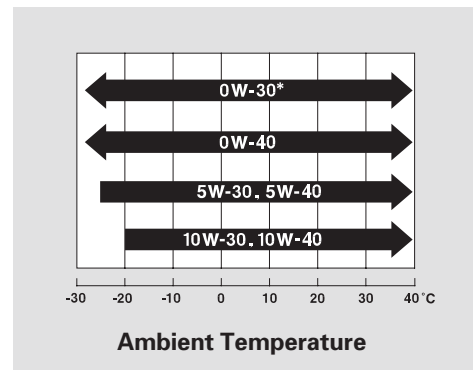
Recommended Engine Oil

Always use a synthetic motor oil that meets the ACEA specifications, and is the proper weight as shown in the following chart. When using synthetic oil, you must follow the oil and filter change intervals given in the maintenance schedule.

On Vehicles without DPF

It is highly recommended that you use genuine Honda Motor Oil or 0W-30 synthetic motor oil meeting the minimum specification: “ACEA A1/B1,” “ACEA A3/B3,” or “ACEA A5/B5.”

You can select the proper ACEA/SAE viscosity oil for your vehicle according to this chart:

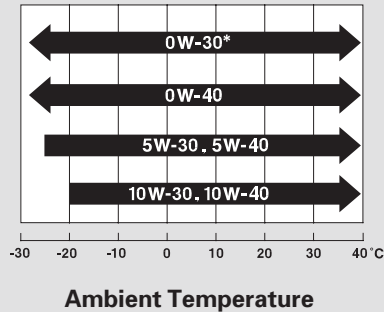


NOTE: 0W-30 oil is formulated to improve fuel economy.

On Vehicles with DPF only

It is highly recommended that you use genuine Honda Motor Oil or 0W-30 synthetic motor oil meeting the minimum specification: “ACEA C2” or “ACEA C3.”

You can select the proper ACEA/SAE viscosity oil for your vehicle according to this chart:



NOTE: 0W-30 oil is formulated to improve fuel economy.

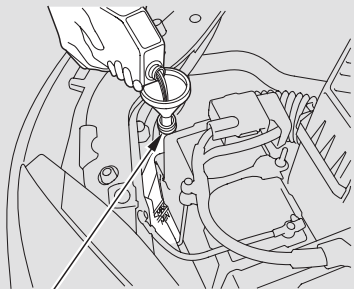
Engine Oil Additives

Your vehicle does not require any oil additives. Additives may adversely affect your engine's or transmission's performance and durability.

Engine Coolant (Petrol models)

Adding Engine Coolant

Petrol models



RESERVE TANK

If the coolant level in the reserve tank is at or below the MIN line, add coolant to bring it up to the MAX line. Inspect the cooling system for leaks.

Always use genuine Honda All Season Antifreeze/Coolant Type 2. This coolant is pre-mixed with 50 percent antifreeze and 50 percent water. Never add straight antifreeze or plain water.

The cooling system contains many aluminium components that can corrode if an improper antifreeze is used. Some antifreeze, even though labelled as safe for aluminium parts, may not provide adequate protection.

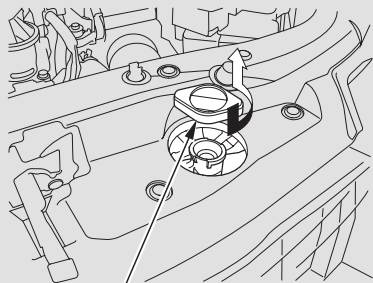
If the reserve tank is completely empty, you should also check the coolant level in the radiator.

⚠ WARNING

Removing the radiator cap while the engine is hot can cause the coolant to spray out, seriously scalding you.

Always let the engine and radiator cool down before removing the radiator cap.

Petrol models



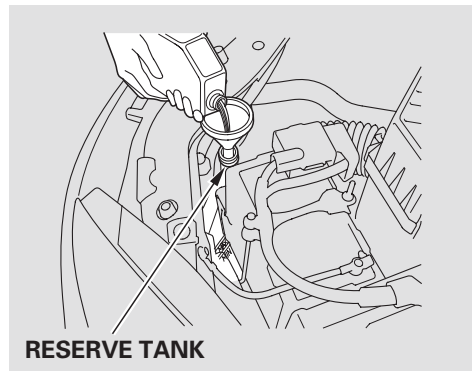
RADIATOR CAP

1. Make sure the engine and radiator are cool.
2. Relieve any pressure in the cooling system by turning the radiator cap anticlockwise, without pressing down.
3. Remove the radiator cap by pushing down and turning anticlockwise.

4. The coolant level should be up to the base of the filler neck. Add coolant if it is low.

Pour the coolant slowly and carefully so you do not spill any. Clean up any spills immediately; it could damage components in the engine compartment.

5. Put the radiator cap back on, and tighten it fully.



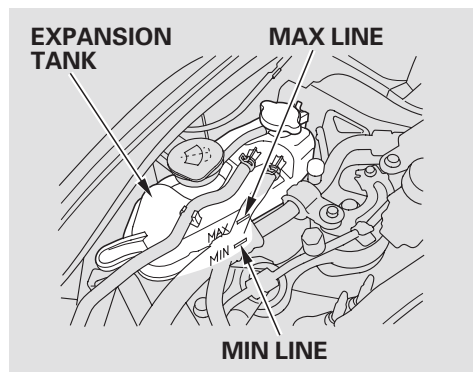
RESERVE TANK

6. Pour coolant into the reserve tank. Fill it to halfway between the MAX and MIN marks. Put the cap back on the reserve tank.

Do not add any rust inhibitors or other additives to your vehicle's cooling system. They may not be compatible with the coolant or engine components.

Engine Coolant (Diesel models)

Adding Engine Coolant



If the coolant level in the expansion tank is at or below the MIN line, add coolant to bring it up to the MAX line. Inspect the cooling system for leaks.

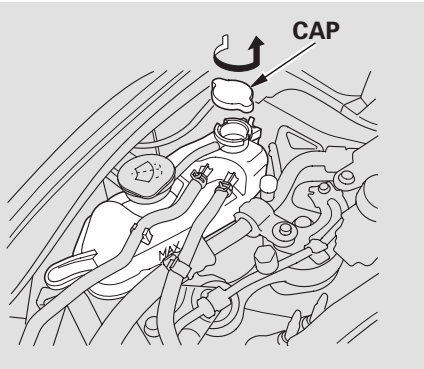
Always use genuine Honda All Season Antifreeze/Coolant Type 2. This coolant is pre-mixed with 50 percent antifreeze and 50 percent water. Never add straight antifreeze or plain water.

The cooling system contains many aluminium components that can corrode if an improper antifreeze is used. Some antifreeze, even though labelled as safe for aluminium parts, may not provide adequate protection.

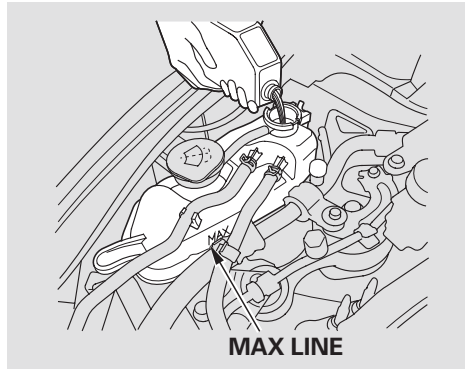
⚠ WARNING

Removing the expansion tank cap while the engine is hot can cause the coolant to spray out, seriously scalding you.

Always let the engine and radiator cool down before removing the expansion tank cap.



1. Make sure the engine and radiator are cool.
2. Loosen the expansion tank cap by turning it 1/8 turn anticlockwise. This will relieve any remaining pressure in the cooling system.
3. Remove the expansion tank cap by pushing down and turning anticlockwise.



4. The coolant level should be up to the MAX line. Add coolant if it is low.

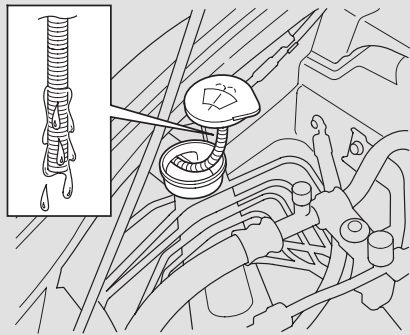
Pour the coolant slowly and carefully so you do not spill any. Clean up any spills immediately; it could damage components in the engine compartment.

5. Put the expansion tank cap back on, and tighten it fully.

Do not add any rust inhibitors or other additives to your vehicle's cooling system. They may not be compatible with the coolant or engine components.

Windscreen Washers

Petrol models

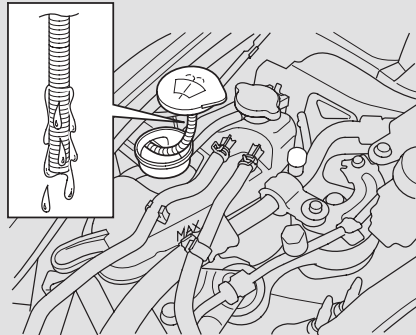


Check the fluid level in the windscreen washer reservoir at least monthly during normal use.

Check the reservoir's fluid level as follows:

1. Unfasten the reservoir cap.
2. Pull up the cap until the tube is fully exposed.

Diesel models



3. Check the fluid trace on the tube. If the fluid level is low, fill the reservoir with windscreen washer fluid.

Fill the reservoir with a good-quality windscreen washer fluid. This increases the cleaning capability and prevents freezing in cold weather.

When you refill the reservoir, clean the edges of the windscreen wiper blades with windscreen washer fluid on a clean cloth. This will help to condition them.

NOTICE

Do not use engine antifreeze or a vinegar/water solution in the windscreen washer reservoir. Antifreeze can damage your vehicle's paint, while a vinegar/water solution can damage the windscreen washer pump. Use only commercially-available windscreen washer fluid.

On vehicles with manual transmission

The transmission should be drained and refilled with new fluid according to the time and distance recommendations in the maintenance schedule.

Always use genuine Honda Manual Transmission Fluid (MTF). If it is not available, you may use an API service SJ or higher grade motor oil with a viscosity of SAE 10W-30 or 10W-40 as a temporary replacement. However, motor oil does not contain the proper additives, and continued use can cause stiffer shifting. Replace as soon as it is convenient.

On vehicles with i-SHIFT

The transmission should be drained and refilled with new fluid according to the time and distance recommendations in the maintenance schedule.

Always use genuine Honda MTF-3 (Manual Transmission Fluid-3). If it is not available, you may use an API service SJ or higher grade motor oil with a viscosity of SAE 0W-30 or 0W-40 as a temporary replacement. However, motor oil does not contain the proper additives, and continued use can cause stiffer shifting. Replace as soon as it is convenient.

Brake and Clutch Fluid

Check the fluid level in the reservoirs monthly.

- Brake fluid reservoir
- Clutch fluid reservoir

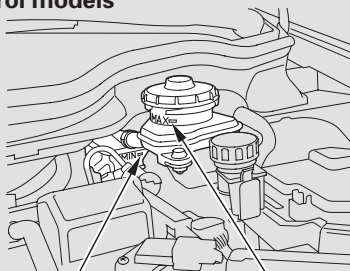
You will also see the symbol “,” or this symbol with a “BRAKE FLUID LOW” message on the multi-information display when the brake fluid level is low.

Replace the brake fluid according to the recommendation in the maintenance schedule.

Always use genuine Honda Brake Fluid or an equivalent from a sealed container that is marked DOT3 or DOT4 only. Brake fluid marked DOT5 is not compatible with your vehicle's braking system.

Brake System

Petrol models



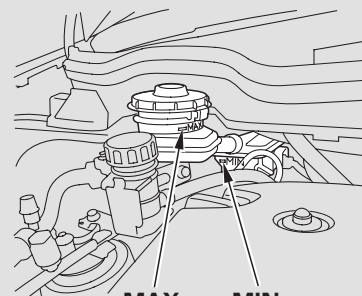
MIN

MAX

Manual transmission model is shown.

The fluid level should be between the MIN and MAX marks on the side of the reservoir. If the level is at or below the MIN mark, your brake system needs attention. Have the brake system inspected for leaks or worn brake pads.

Diesel models



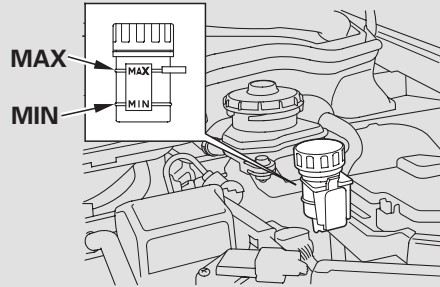
MAX

MIN

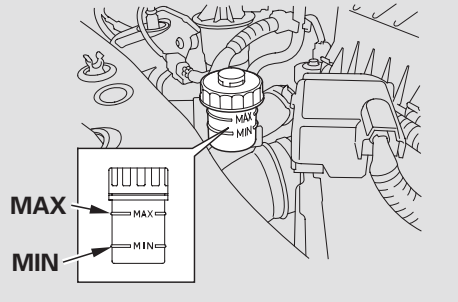
The brake fluid reservoir consists of the two parts: primary and secondary reservoirs. The secondary reservoir is behind the primary reservoir. MAX mark is on the primary reservoir, and MIN is on the secondary.

Clutch System

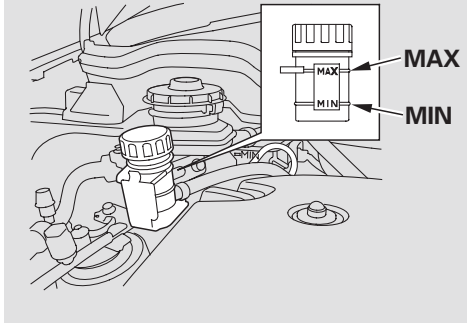
Petrol models with manual transmission



Petrol models with i-Shift transmission



Diesel models



The fluid level should be between the MIN and MAX marks on the side of the reservoir. If it is not, add brake fluid to bring it up to that level. Use the same fluid specified for the brake system.

A low fluid level can indicate a leak in the clutch system. Have this system inspected as soon as possible.

Air Cleaner Element (Petrol models)

The air cleaner element should be replaced according to the time and distance recommendations in the maintenance schedule.

Cleaning

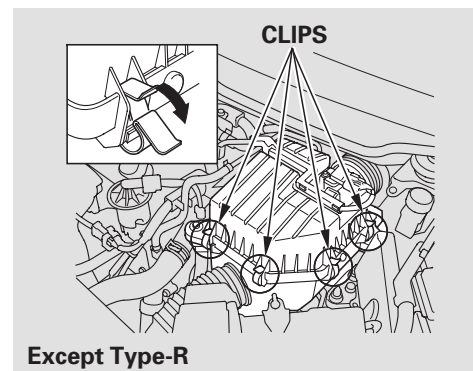
On vehicles with dry type air cleaner element

The air cleaner element should also be cleaned according to the maintenance schedule.

Clean the air cleaner element by blowing compressed air through it in the opposite direction to normal air flow. If you do not have access to compressed air (such as a service station), ask your dealer to do this service.

Follow the replacement procedure for removal and reinstallation.

Replacement (Petrol models except Type-R)

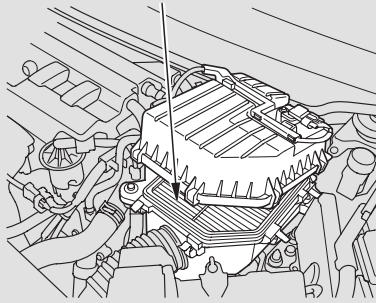


The air cleaner element is inside the air cleaner housing in the engine compartment.

To replace it:

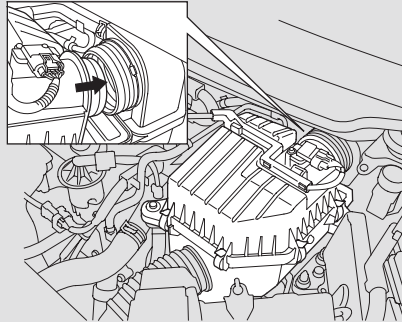
1. Unsnap the four hold-down clips and remove the air cleaner housing cover.

AIR CLEANER ELEMENT



Except Type-R

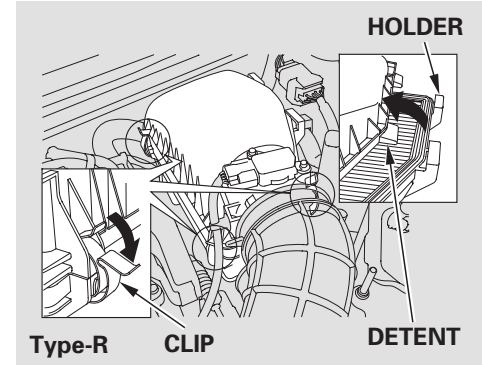
2. Remove the old air cleaner element.
3. Carefully clean the inside of the air cleaner housing with a damp rag.
4. Place the new air cleaner element in the air cleaner housing.



Except Type-R

5. Connect the air intake tube to the air cleaner housing cover.
6. Reinstall the air cleaner housing cover, and snap the four hold-down clips back into place.

Replacement (Type-R model)



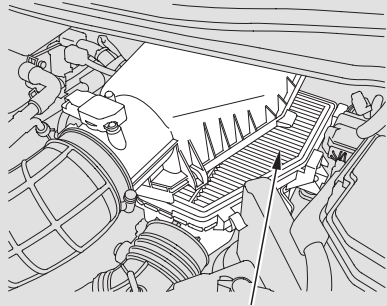
To replace it:

1. Unsnap the three holding-clips and pull up the front of the air cleaner housing cover.

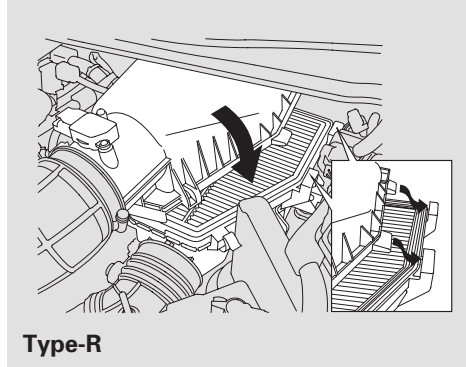
Make sure to free two detents of the air cleaner housing cover from their holders.

CONTINUED

Air Cleaner Element (Petrol models)



Type-R AIR CLEANER ELEMENT



Type-R

2. Remove the old air cleaner element.
3. Carefully clean the inside of the air cleaner housing with a damp rag.
4. Place the new air cleaner element in the air cleaner housing.

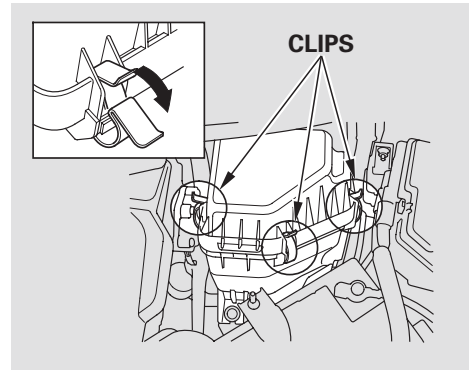
5. Reinstall the air cleaner housing cover, and snap the three holding-clips securely.

Make sure all detents are secured in their holders.

The air cleaner element should be replaced according to the time and distance recommendations in the maintenance schedule.

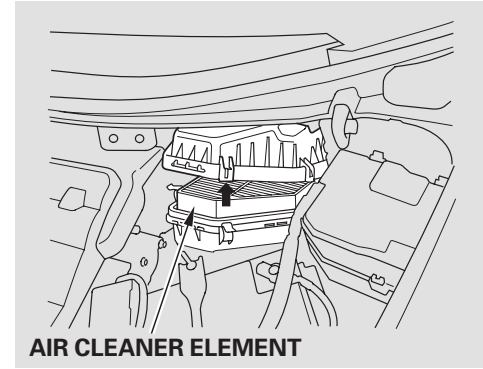
Follow the replacement procedure for removal and reinstallation.

Replacement (Diesel models)



The air cleaner element is inside the air cleaner housing in the engine compartment.
To replace it:

1. Unsnap the three holding-clips and pull up the front of the air cleaner housing cover.
2. Remove the old air cleaner element.



3. Carefully clean the inside of the air cleaner housing with a damp rag.
4. Place the new air cleaner element in the air cleaner housing.
5. Reinstall the air cleaner housing cover, and snap the three holding-clips securely.


Fuel Filter

The fuel filter should be replaced according to the time and distance recommendations in the maintenance schedule.

It is recommended to replace the fuel filter every 40,000 km (25,000 miles), or 2 years (Except EU, Australia and New Zealand) if the fuel is suspected to be contaminated. In a high dust environment, the filter may become clogged sooner.

Have a qualified technician change the fuel filter. Since the fuel system is under pressure, fuel can spray out and create a hazard if all fuel line connections are not handled correctly.

Draining Water (Diesel models only)

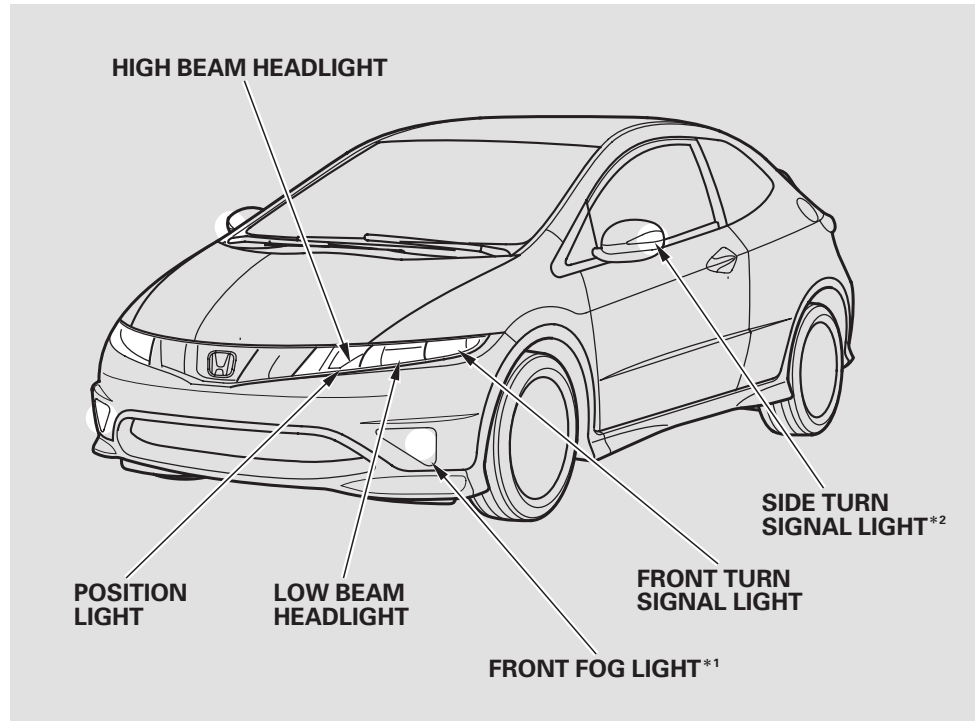
You will see the symbol “,” or the symbol with a “WATER IN FUEL FILTER” message on the multi-information display when water stays in the fuel system. Contact your dealer as soon as possible (see page 109).

On European models

The fuel filter should be drained of water according to the time and distance recommendations in the maintenance schedule.

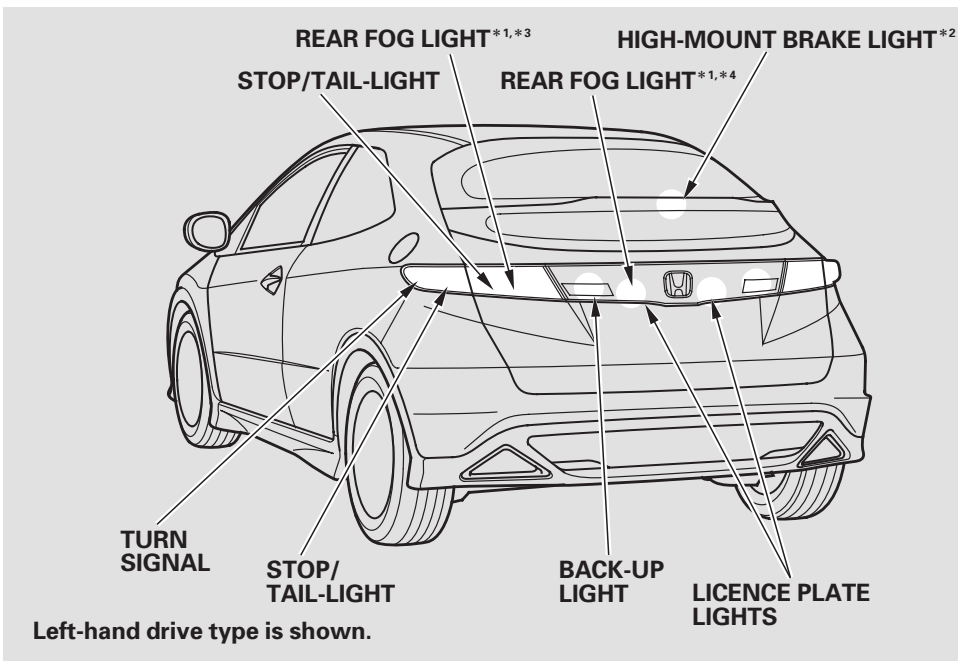
After the vehicle has been stored for an extended period, the engine may not start. If water stays in the fuel system, you will see the symbol on the multi-information display when you turn the ignition switch to the ON (II) position. This may also be caused by air in the fuel system. In this case, follow the procedure for **Priming the Fuel System** (see page 421).

Check the operation of your vehicle's exterior lights at least once a month. A burned out bulb can make the condition of your vehicle unsafe reducing your vehicle's visibility and the ability to signal your intentions to other drivers.



- * 1: If equipped
- * 2: Replacement of these bulbs should be done by your dealer.

Lights



Check the following:

- Headlights (low and high beam)
- Position lights
- Tail-lights
- Brake lights
- Turn signals
- Side turn signals
- Back-up lights
- Hazard light function
- Licence plate lights
- High-mount brake light
- Front fog lights (for some models)
- Rear fog light

If you find any bulbs are burned out, replace them as soon as possible. Refer to the chart on page 492 to determine what type of replacement bulb is needed.

- * 1: Rear fog light is installed on the driver's side only.
- * 2: Replacement of these bulbs should be done by your dealer.
- * 3: Type-R model
- * 4: Except Type-R

Headlight Aiming

The headlights were properly aimed when your vehicle was new. If you regularly carry heavy items in the luggage area or pull a trailer, readjustment may be required. Adjustments should be done by your dealer or other qualified technician.

The vertical angle of the headlights can be adjusted. For more information, see page 146 .

(For some types)

On vehicles with high voltage discharge type low beam headlights

Your vehicle is equipped with an automatic headlight adjusting system that adjusts the vertical angle of the headlights (low beam) automatically. Refer to page 146 for more information.

Headlights with High Voltage Discharge Tubes (For some types)

The low beam headlight bulbs are a type of high voltage discharge tube. High voltage can remain in the circuit even with the light switch off and the key removed. Because of this, you should not attempt to examine or change a low beam headlight bulb yourself. If a low beam headlight bulb fails, take the vehicle to your dealer to have it replaced.

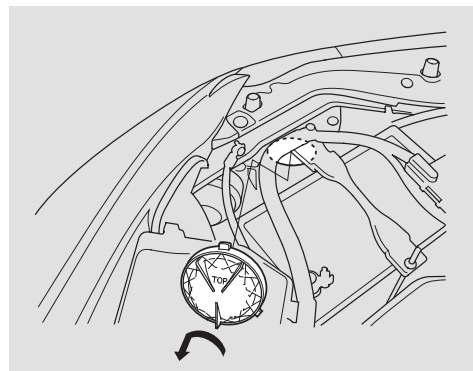
Replacing a Headlight Bulb

Your vehicle has halogen headlight bulbs. When replacing a bulb, handle it by its base, and protect the glass from contact with your skin or hard objects. If you touch the glass, clean it with denatured alcohol and a clean cloth.

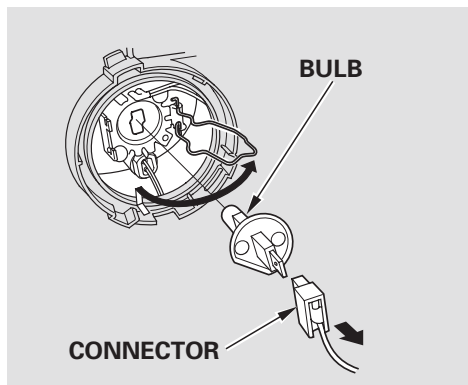
NOTICE

Halogen headlight bulbs get very hot when lit. Oil, perspiration, or a scratch on the glass can cause the bulb to overheat and shatter.

High Beam Headlights (Petrol models)



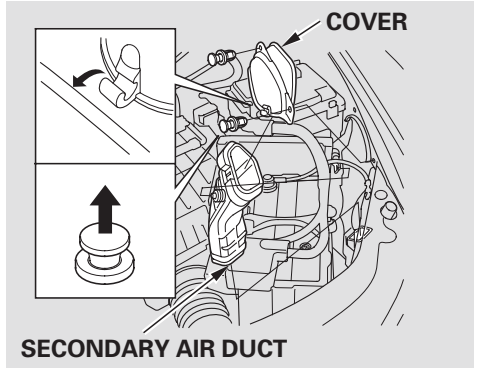
1. Open the bonnet.
2. Remove the cover on the back of the headlight assembly by turning it anticlockwise.



3. Remove the electrical connector from the bulb by pulling the connector straight back.
4. Unclip the end of the hold-down wire from its slot. Pivot it out of the way, and remove the bulb.

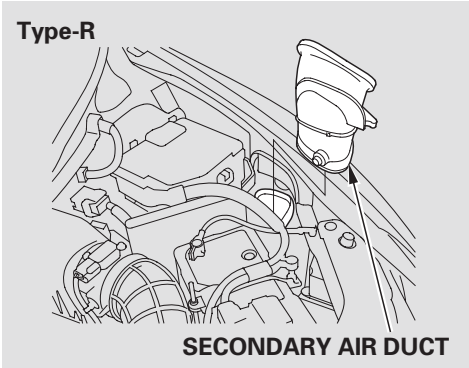
5. Insert the new bulb into the hole, making sure the tabs are in their slots. Pivot the hold-down wire back in place, and clip the end into the slot.
6. Push the electrical connector onto the new bulb. Make sure it is connected securely.
7. Reinstall the cover over the back of the headlight assembly and turn it clockwise to lock it in place.
8. Turn on the headlights to test the new bulb.

**Low Beam Headlights
(Petrol models)**

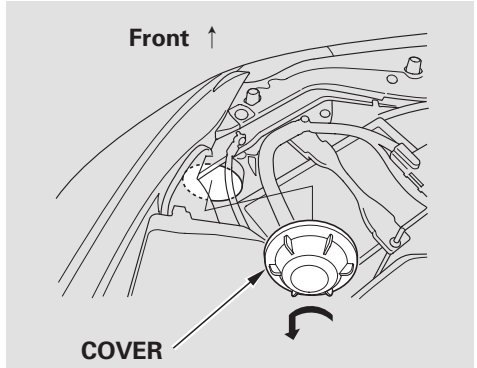


1. Open the bonnet.

To change a bulb on the left side, remove the cable from the clip and undo the two fasteners from the secondary air intake cover by pulling the centre of each fastener. Remove the cover, then remove the upper part of the secondary air duct.

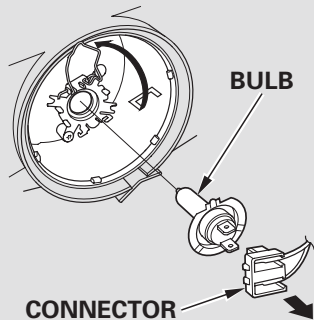


(Type-R)
To change a bulb on the left side, remove the upper part of the secondary air duct.



2. Remove the cover on the back of the headlight assembly by turning it anticlockwise.

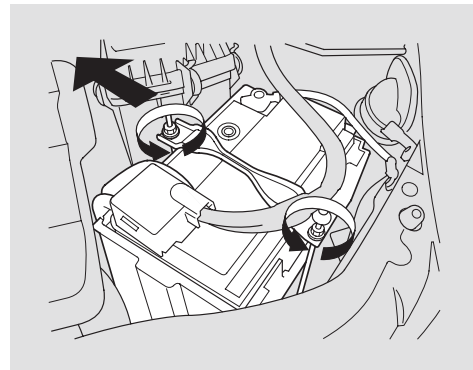
CONTINUED



3. Remove the electrical connector from the bulb by pulling the connector straight back.
4. Unclip the end of the hold-down wire from its slot. Pivot it out of the way, and remove the bulb.

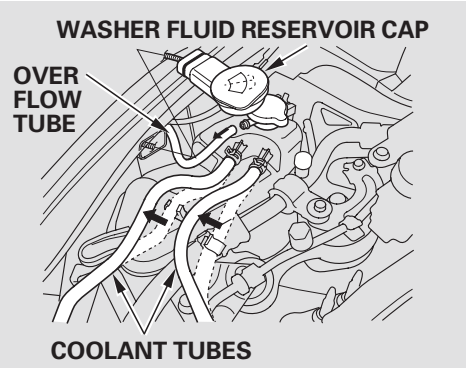
5. Insert the new bulb into the hole, making sure the tabs are in their slots. Pivot the hold-down wire back in place, and clip the end into the slot.
6. Push the electrical connector onto the new bulb. Make sure it is connected securely.
7. Reinstall the cover over the back of the headlight assembly and turn it clockwise to lock in place. Make sure it is right side up; it is marked "TOP."
8. Turn on the headlights to test the new bulb.
9. Reinstall the secondary air intake duct securely, then put the cover back in place. Reinstall the two fasteners and secure them by pushing on the heads until they lock, and put the cable back in place.

High Beam Headlights (Diesel models)

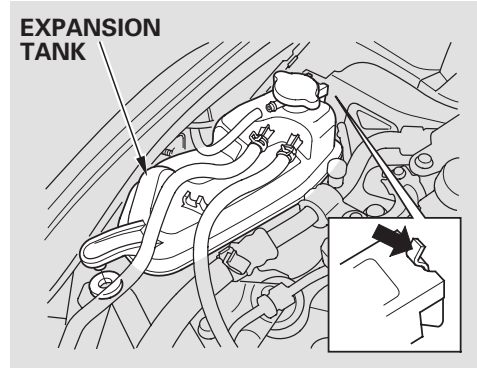


1. Open the bonnet.

To change a bulb on the left side, remove the nut on the battery stay, then push the battery toward the windscreen to obtain enough working space.

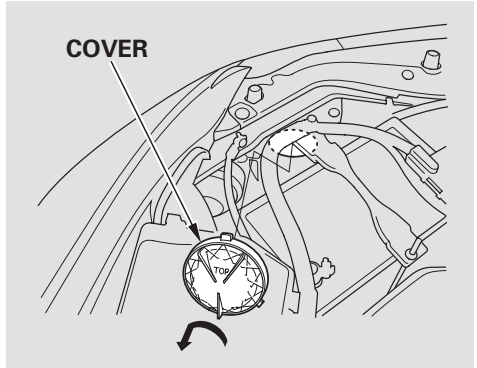


To change a bulb on the right side, remove the upper part of the washer fluid reservoir by pulling it straight out.



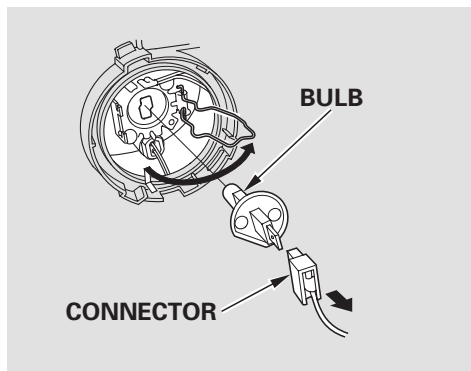
Remove the coolant tubes from the two clips and the over flow tube from the expansion tank, then remove the expansion tank from its holder by pushing the tab and pulling the tank straight up.

Make sure the engine and radiator are cool.



2. Remove the cover on the back of the headlight assembly by turning it anticlockwise.

CONTINUED



3. Remove the electrical connector from the bulb by pulling the connector straight back.
4. Unclip the end of the hold-down wire from its slot. Pivot it out of the way, and remove the bulb.

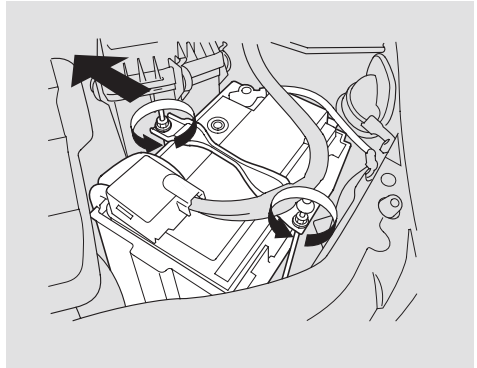
5. Insert the new bulb into the hole, making sure the tabs are in their slots. Pivot the hold-down wire back in place, and clip the end into the slot.
6. Push the electrical connector onto the new bulb. Make sure it is connected securely.
7. Reinstall the cover over the back of the headlight assembly and turn it clockwise to lock it in place.

8. Turn on the headlights to test the new bulb.

9. *On the left side*
Put the battery back to its original position, reinstall the nut on the stay and tighten it securely.

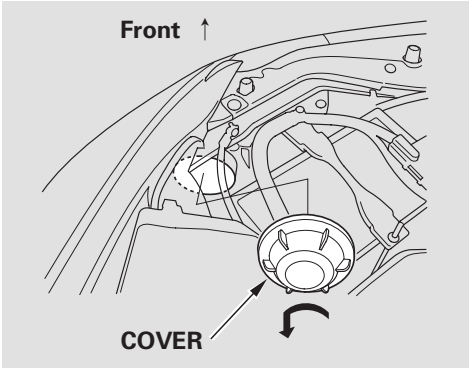
On the right side
Reinstall the expansion tank on its holder, then put the coolant tubes back in place. Reinstall the over flow tube to the expansion tank securely. Put the upper part of the washer fluid reservoir back in place.

Low Beam Headlights (Diesel models)

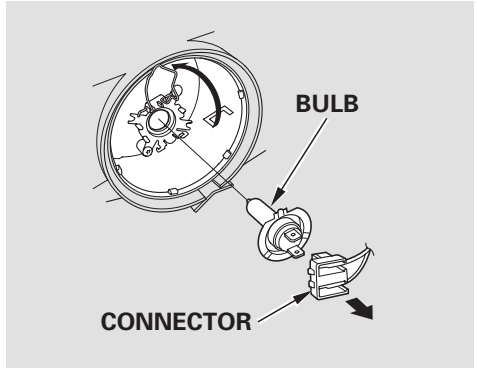


1. Open the bonnet.

To change a bulb on the left side, remove the nut on the battery stay, then push the battery toward the windscreen to obtain enough working space.



2. Remove the cover on the back of the headlight assembly by turning it anticlockwise.



3. Remove the electrical connector from the bulb by pulling the connector straight back.
4. Unclip the end of the hold-down wire from its slot. Pivot it out of the way, and remove the bulb.

CONTINUED

5. Insert the new bulb into the hole, making sure the tabs are in their slots. Pivot the hold-down wire back in place, and clip the end into the slot.
6. Push the electrical connector onto the new bulb. Make sure it is connected securely.
7. Reinstall the cover over the back of the headlight assembly and turn it clockwise to lock in place. Make sure it is right side up; it is marked "TOP."
8. Turn on the headlights to test the new bulb.
9. *On the left side*
Put the battery back to its original position, reinstall the nut on the stay and tighten it securely.

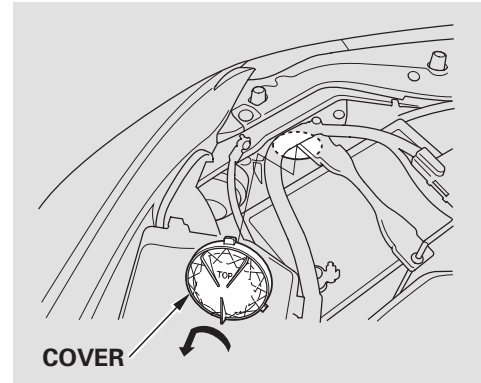
Replacing a Front Position Light Bulb

A front position light bulb is located underneath the high beam headlight bulb under the cover.

1. Open the bonnet.

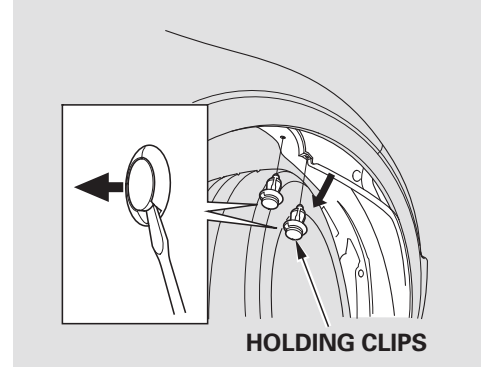
On Diesel models

To change a left side bulb, obtain working space by moving the battery toward the windscreen (see page 390).



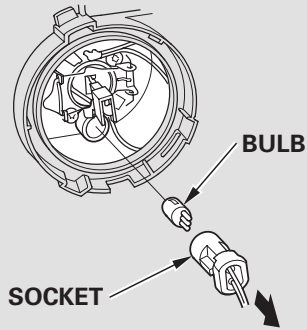
2. Remove the cover on the back of the headlight assembly by turning it anticlockwise.

Replacing a Front Turn Signal Light Bulb



1. To change the left side bulb, start the engine, turn the steering wheel all the way to the right, and turn off the engine. To change the right side bulb, turn the steering wheel to the left.
2. Use a flat-tipped screwdriver to remove the two holding clips from the inner fender.

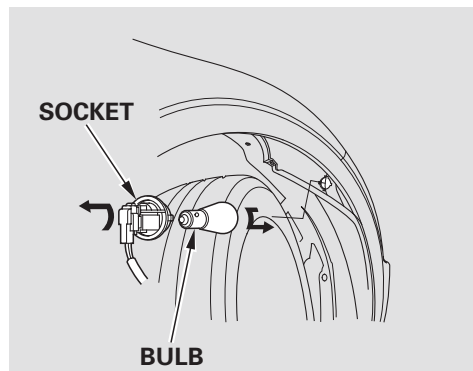
CONTINUED



5. Insert the new bulb into the headlight assembly. Make sure it is on all the way.
6. Reinstall the cover over the back of the headlight assembly and turn it clockwise to lock in place. Make sure it is right side up; it is marked "TOP."
7. Turn on the lights to make sure the new bulb is working.
8. *On the left side*
Put the battery back to its original position, reinstall the nut on the stay and tighten it securely.

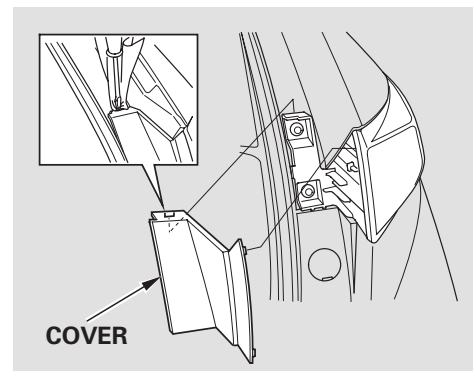
3. Remove the socket from the headlight assembly by turning it one-quarter turn anticlockwise.
4. Pull the bulb straight out of its socket. Push the new bulb straight into the socket until it bottoms.

3. Pull the inner fender cover away from the fender and bumper.
4. Remove the socket from the headlight assembly by turning it one-quarter turn anticlockwise.

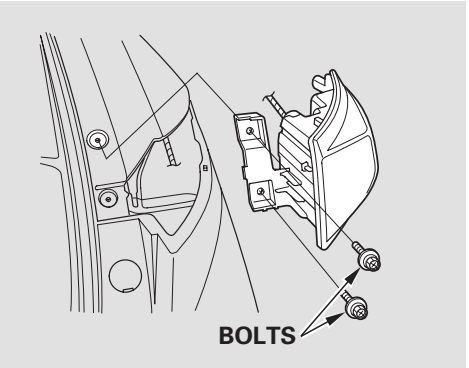


5. Remove the bulb from the socket by pushing it in and turning the bulb anticlockwise until it unlocks.
6. Insert the socket back into the headlight assembly. Turn it clockwise to lock it in place.
7. Turn on the lights to make sure the new bulb is working.
8. Put the inner fender in place. Install the two holding clips. Lock each clip in place by pushing on the centre.

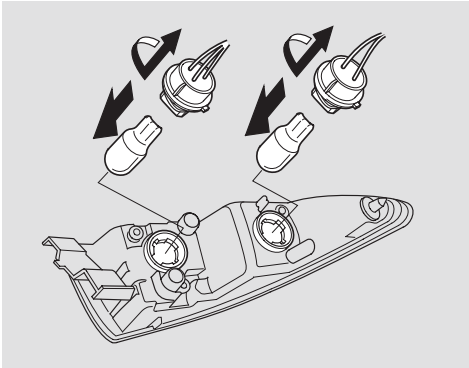
Replacing Rear Bulbs (In Fenders)



1. Open the tailgate. Place a cloth on the edge of the cover. Remove it by carefully prying on the edge with a flat-tipped screwdriver.



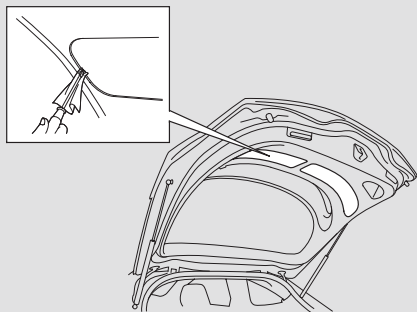
2. Use a wrench to remove the two mounting bolts.
3. Pull the light assembly out of the rear pillar.



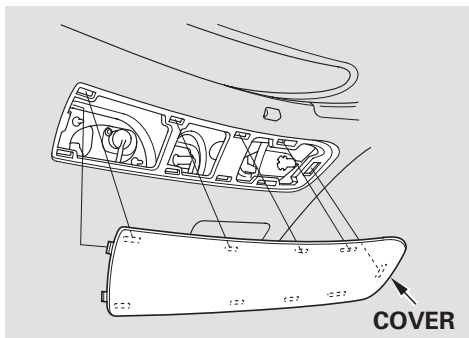
4. Determine which of the two bulbs is burned out: stop/tail-light or turn signal light.

5. Remove the socket for that bulb by turning it one-quarter turn anticlockwise.
6. Pull the bulb straight out of its socket. Push the new bulb straight into the socket until it bottoms.
7. Reinstall the socket into the light assembly by turning it clockwise until it locks.
8. Turn on the lights to make sure the new bulb is working.
9. Reinstall the light assembly into place, then tighten the mounting bolts securely.
10. Align the tabs on the cover with the holes in the body. Slide the cover on to the rear pillar and reinstall it security.

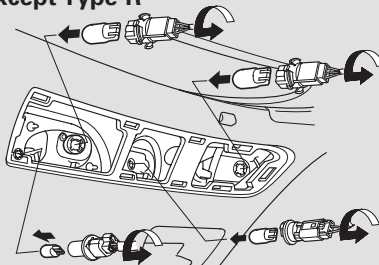
Replacing Rear Bulbs (in Tailgate)



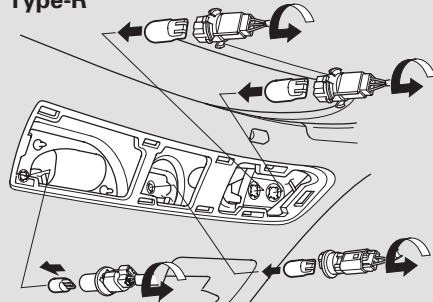
1. Open the tailgate. Place a cloth on the edge of the cover on the back of the tailgate. Remove it by carefully prying on the edge with a flat-tipped screwdriver.



Except Type-R



Type-R



2. Determine which of the four or three bulbs is burned out: stop/tail-light, back-up light, licence plate light or rear fog light (on the driver's side only).
3. Remove the socket by turning it one-quarter turn anticlockwise.

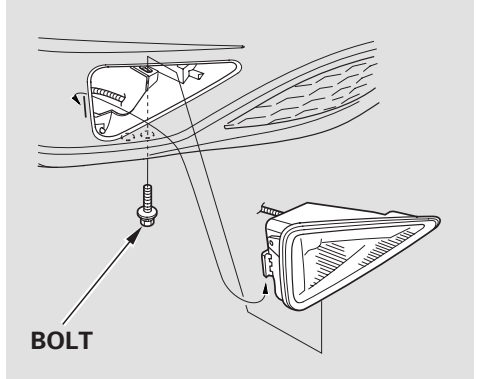
4. Pull the bulb straight out of its socket. Push the new bulb straight into the socket until it bottoms.
5. Reinstall the socket into the light assembly by turning it clockwise until it locks.
6. Turn on the lights to make sure the new bulb is working.
7. Reinstall the cover into tailgate.

Replacing a Front Fog Light Bulb (For some types)

Your vehicle uses halogen light bulbs. When replacing a bulb, handle it by its plastic case, and protect the glass from contact with your skin or hard objects. If you touch the glass, clean it with denatured alcohol and a clean cloth.

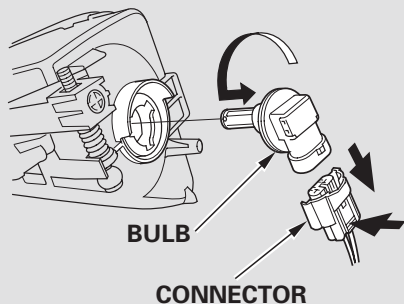
NOTICE

Halogen light bulbs get very hot when lit. Oil, perspiration, or a scratch on the glass can cause the bulb to overheat and shatter.



1. Remove the bolt with a wrench.
2. Pull the fog light assembly from the bumper carefully, while pushing the light assembly outward.

CONTINUED



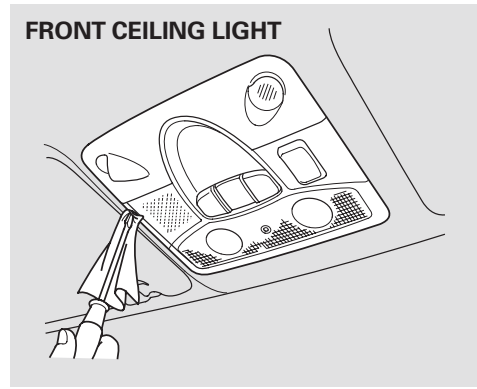
3. Remove the electrical connector from the bulb by squeezing the connector to unlock the tab, then slide the connector off the bulb.
4. Remove the bulb by turning it approximately one-quarter turn anticlockwise.

5. Insert the new bulb into the hole and turn it one-quarter turn clockwise to lock it in place.
6. Push the electrical connector back onto the bulb. Make sure it is on all the way.

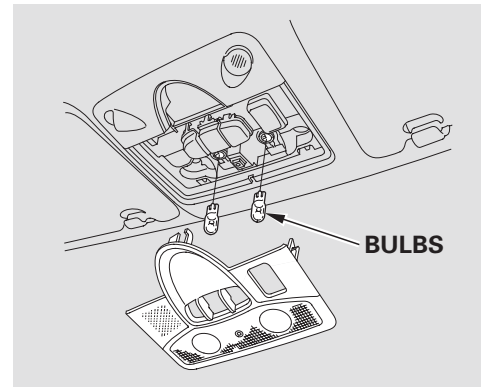
7. Turn on the front fog lights to test the new bulb.
8. Align the tab on the light assembly to the bumper, and reinstall the fog light assembly, then tighten the screw securely.

Replacing Bulbs in the Interior Lights

The ceiling lights and vanity mirror lights come apart the same way, but they do not use the same type of bulbs.



1. Remove the front housing on the front ceiling light by carefully prying on the edge of it with a fingernail file or a small flat-tip screwdriver.



Front ceiling light:
Pry on the edge of the front housing.

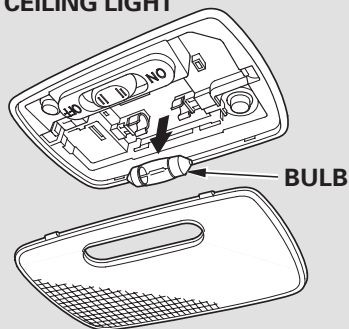
Rear ceiling light:
Pry on the side edge of the lens in the middle.

Vanity mirror light:
Pry on the upper edge of the lens.

CONTINUED

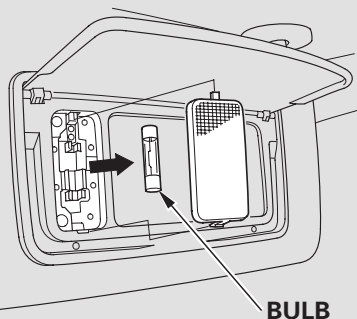
Lights

REAR CEILING LIGHT

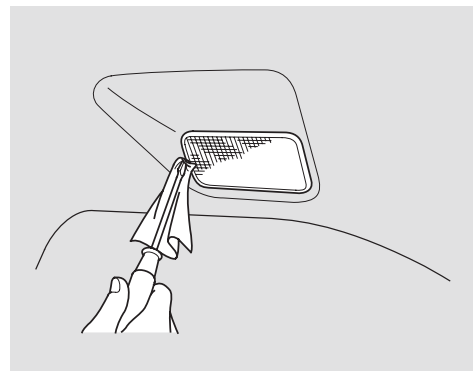


2. Remove the bulb by pulling it straight out of its holder.
3. Push the new bulb into the holder. Snap the lens or the housing back in place.

VANITY MIRROR LIGHT

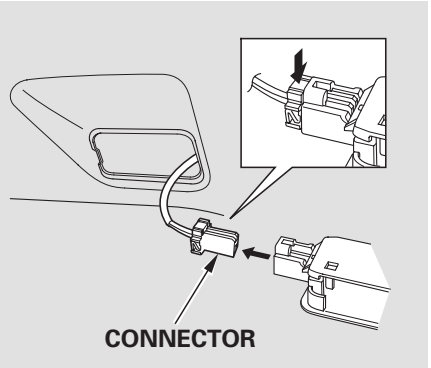


Replacing the Luggage Area Light Bulb

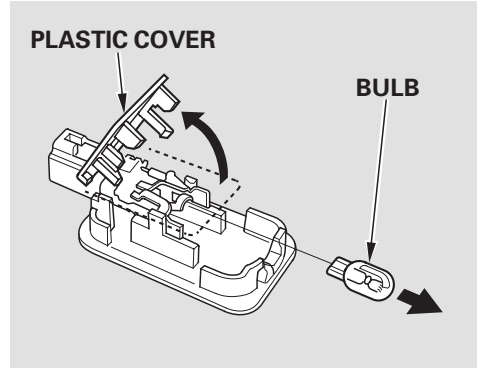


1. Open the tailgate.

Put a cloth on the front edge of the light assembly. Remove the light assembly by using a small flat-tipped screwdriver to pry carefully on the front edge of the assembly.



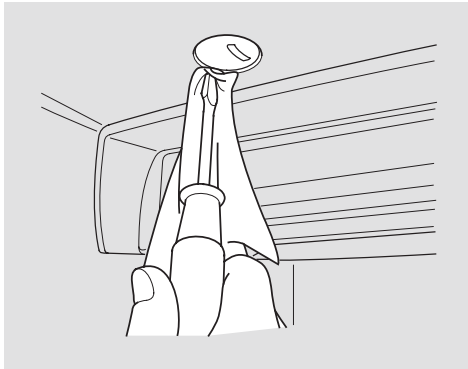
2. Remove the electrical connector from the light assembly by pulling it out.



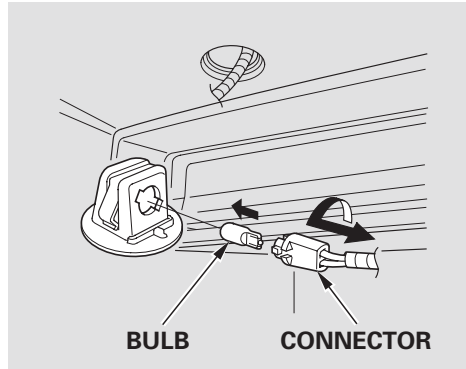
3. Remove the plastic cover by pivoting it upward.
4. Pull the bulb straight out of the holder. Push the new bulb straight into the holder until it bottoms.

5. Put the cover back in place and install the electrical connector securely.
6. Put the light assembly back into the hole, rear side first. Push on the front side until it snaps into place.

Replacing a Glove Box Light Bulb

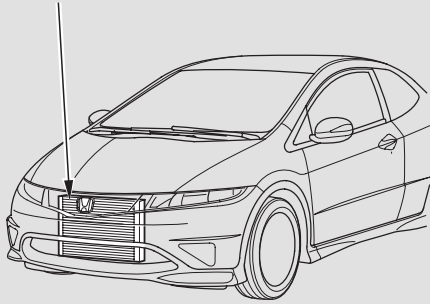


1. Open the glove box. Place a cloth and pry the plastic lens carefully with a small flat-tipped screwdriver.
2. Remove the light assembly by pulling it down.



3. Pull the bulb straight out of its holder. Install the new bulb straight into the holder until it bottoms.
4. Turn on the position lights to make sure the new bulb is working.
5. Put the light assembly back in place, then close the glove box.

AIR CONDITIONING CONDENSER



Your vehicle's air conditioning is a sealed system. Any major maintenance, such as recharging, should be done by a qualified technician. You can do a couple of things to make sure the air conditioning works efficiently.

Periodically check the engine's radiator and air conditioning condenser for leaves, insects, and dirt stuck to the front surface. These block the air flow and reduce cooling efficiency. Use a light spray from a hose or a soft brush to remove them.

NOTICE

The condenser and radiator fins bend easily. Only use a low-pressure spray or soft-bristle brush to clean them.

Run the air conditioning at least once a week during the cold weather months. Run it for at least 10 minutes while you are driving at a steady speed with the engine at normal operating temperature. This circulates the lubricating oil contained in the refrigerant.

If the air conditioning does not get as cold as before, have your dealer check the system. Recharge the system with Refrigerant HFC-134a (R-134a).

NOTICE

Whenever you have the air conditioning system serviced, make sure the service facility uses a refrigerant recycling system. This system captures the refrigerant for reuse. Releasing refrigerant into the atmosphere can damage the environment.

Dust and Pollen Filter (For some types)

This filter removes the dust and pollen that is brought in from the outside through the climate control system.

This filter should be replaced during scheduled maintenance. On EU, Australian, and New Zealand models, refer to the maintenance schedule in the separate service information booklet that came with your vehicle. On other models, see the maintenance schedules in this owner's manual.

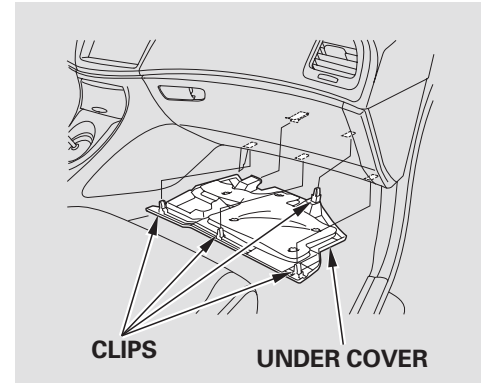
The dust and pollen filter should be replaced at short intervals if you drive primarily in urban areas that have high concentrations of soot in the air from industry and diesel-powered vehicles. Replace it more often if airflow from the climate control system becomes less than usual.

Replacement

The dust and pollen filter is under the dashboard on the passenger's side of the front of the centre console.

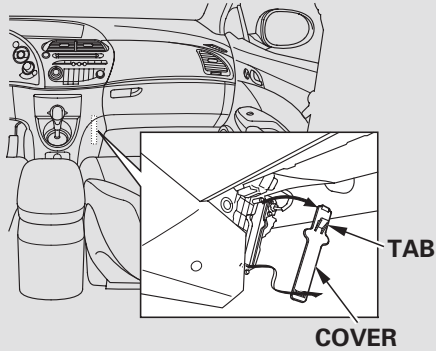
To replace it:

1. To access the filter, open the passenger's door.

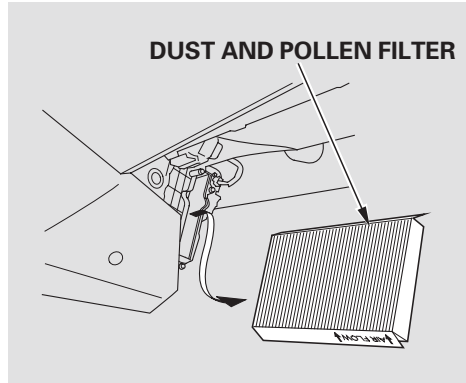


2. Remove the under cover from the lower part of the dashboard carefully.

Dust and Pollen Filter (For some types)



3. To remove the cover, pull it toward you with the tab while taking it out of its hinges (the upper side first).



4. Put your fingers in both side slits on the housing, grasp the filter, then pull it out.

5. Install a new filter in the housing. Make sure the arrows of the “Air Flow” marks on the filter point to the airflow direction (inside the vehicle).

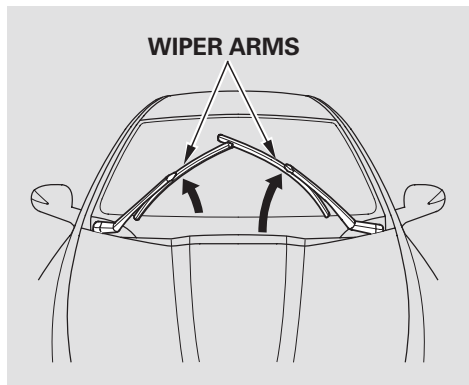
Place the hinges to the housing (the lower side first), then reinstall the cover.

6. Put the under cover back in place and make sure the four clips are latched securely.

If you are not sure how to replace the dust and pollen filter, have it replaced by your dealer.

Wiper Blades

Check the condition of the wiper blades at least every 6 months. Replace them if you find signs of cracking in the rubber, and areas that are getting hard or if they leave streaks and unwiped areas when used.

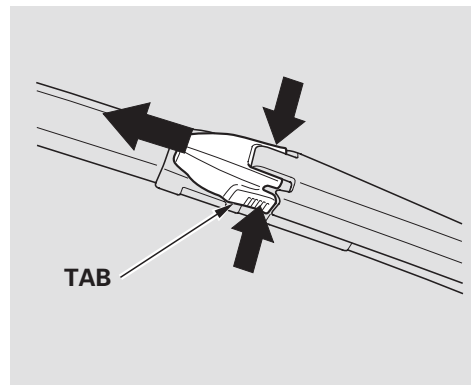


To replace a wiper blade:

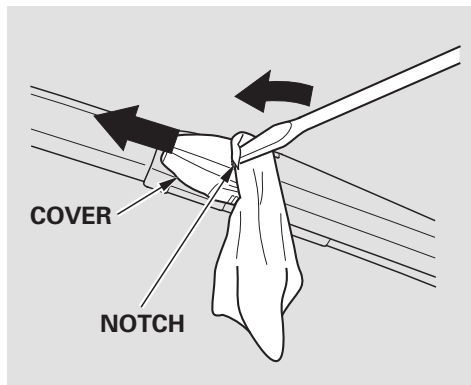
1. Raise the wiper arm off the windshield. Raise the driver's side first, then the passenger's side.

NOTICE

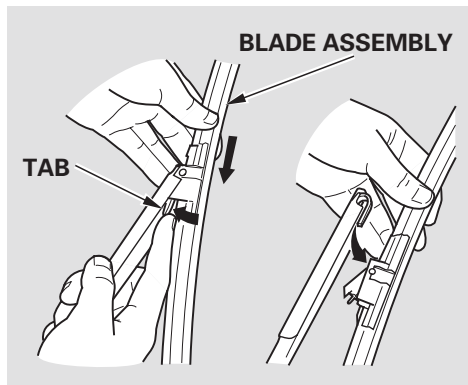
Do not open the bonnet when the wiper arms are raised, or you will damage the bonnet and the wiper arms.



2. Remove the cap on the wiper blade assembly by squeezing the lock tabs and sliding it outward along the holder.



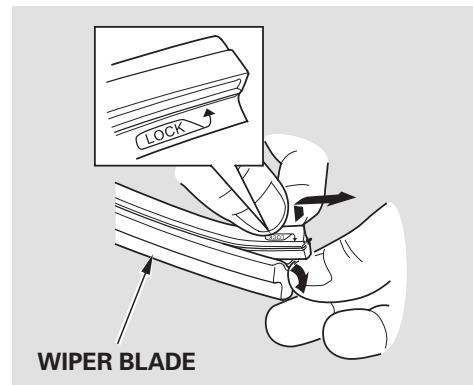
If you cannot remove the cap, release the lock with a small flat-tipped screwdriver. Put a cloth on the notch, insert a screwdriver and push it slightly toward the top of the wiper blade, then slide the cap outward.



3. Disconnect the blade assembly from the wiper arm:

- Press and hold the lock tab.
- Slide the blade assembly toward the lock tab until it releases from the wiper arm.

Carefully pull out the blade assembly to prevent it from hitting the windshield.



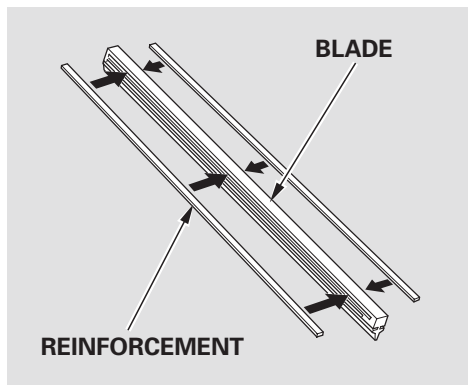
4. Remove the blade from the blade assembly:

- Find the side of the blade labeled “LOCK.” This is the side you pull out.
- Pull back the end of the blade assembly on the “LOCK” side of the blade. Then grab the end of the blade, and slide it out.

CONTINUED

Wiper Blades

Do not pull up the end of the holder forcibly and bend the holder excessively while removing the blade. This could damage the holder.



5. Examine the new wiper blades. If they have no plastic or metal reinforcement along the back edge, remove the metal reinforcement strips from the old wiper blade, and install them in the slots along the edge of the new blade.

6. Install the new blade onto the blade assembly:

- Pull back either end of the blade assembly.
- Place the side of the blade not labeled “LOCK” on the end of the blade assembly, and slide the blade onto the assembly until it is fully installed.

7. Slide the wiper blade assembly onto the wiper arm. Make sure it locks in place.

8. Reinstall the cap on the wiper arm along to the slit on the holder.

9. Make sure the blade is completely installed and that its edge is not bunched up.

10. Lower the wiper arm down against the windscreen, the passenger’s side first, then the driver’s side.

To safely operate your vehicle, your tyres must be the proper type and size, in good condition with adequate tread, and correctly inflated.

The following pages give more detailed information on how to take care of your tyres and what to do when they need to be replaced.

WARNING

Using tyres that are excessively worn or improperly inflated can cause a crash in which you can be seriously hurt or killed.

Follow all instructions in this owner's manual regarding tyre inflation and maintenance.

Inflation Guidelines

Keeping the tyres properly inflated provides the best combination of handling, tread life, and riding comfort.

- Underinflated tyres wear unevenly, adversely affect handling and fuel economy, and are more likely to fail from being overheated.
- Overinflated tyres can make your vehicle ride more harshly, are more prone to damage from road hazards, and wear unevenly.

We recommend that you visually check your tyres every day. If you think a tyre might be low, check it immediately with a tyre gauge.

Use a gauge to measure the air pressure in each tyre at least once a month. Even tyres that are in good condition may lose 10 to 20 kPa (0.1 to 0.2 kgf/cm², 1 to 2 psi) per month.

Remember to check the spare tyre at the same time.

Check the air pressure when the tyres are cold. This means the vehicle has been parked for at least three hours, or driven less than 1.6 km (1 mile). Add or release air, if needed, to match the recommended cold tyre pressures on a label on the driver's doorjamb.

If you check air pressures when the tyres are hot [driven for several kilometres (miles)], you will see readings 30 to 40 kPa (0.3 to 0.4 kgf/cm², 4 to 6 psi) higher than the cold readings. This is normal. Do not let air out to match the recommended cold air pressure. The tyre will be underinflated.

CONTINUED

Tyres

You should get your own tyre pressure gauge and use it whenever you check your tyre pressures. This will make it easier for you to tell if a pressure loss is due to a tyre problem and not due to a variation between gauges.

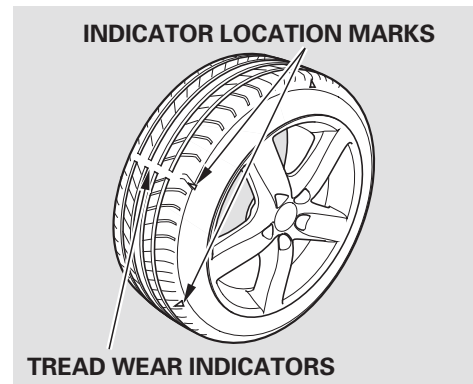
While tubeless tyres have some ability to self-seal if they are punctured, you should look closely for punctures if a tyre starts losing pressure.

For convenience, the recommended cold air pressures and tyre sizes are on a label on the driver's doorjamb.

Tyre Inspection

Every time you check inflation, you should also examine the tyres for damage, foreign objects, and wear. You should look for:

- Bumps or bulges in the tread or side of the tyre. Replace the tyre if you find either of these conditions.
- Cuts, splits, or cracks in the side of the tyre. Replace the tyre if you can see fabric or cord.
- Excessive tread wear.



Your tyres have wear indicators molded into the tread. When the tread wears down, you will see a band 12.7 mm (1/2 inch) wide across the tread. This shows there is less than 1.6 mm (1/16 inch) of tread left on the tyre.

A tyre this worn gives very little traction on wet roads. You should replace the tyre if you can see three or more tread wear indicators.

Tyre Maintenance

In addition to proper inflation, correct wheel alignment helps to decrease tyre wear. If you find a tyre is worn unevenly, have your dealer check the wheel alignment.

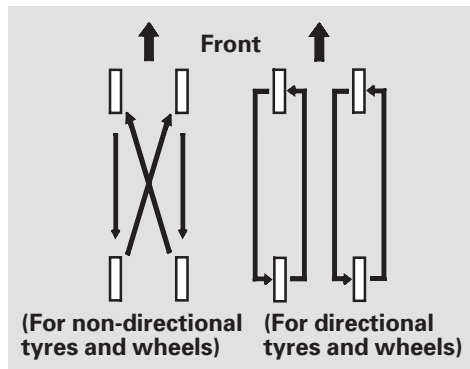
Have your dealer check the tyres if you feel a consistent vibration while driving. A tyre should always be rebalanced if it is removed from the wheel. When you have new tyres installed, make sure they are balanced. This increases riding comfort and tyre life. For best results, have the installer perform a dynamic balance.

NOTICE

For vehicles equipped with aluminium wheels:

Improper wheel weights can damage your vehicle's aluminium wheels. Use only genuine Honda wheel weights for balancing.

Tyre Rotation



To help increase tyre life and distribute wear more evenly, rotate the tyres every 10,000 km (6,250 miles). Move the tyres to the positions shown in the diagram each time they are rotated. If you purchase directional tyres, rotate only front-to-back.

Replacing Tyres and Wheels

Replace your tyres with radial tyres of the same size, load range, speed rating, and maximum cold tyre pressure rating (as shown on the tyre's sidewall).

Mixing radial and bias-ply tyres on your vehicle can reduce braking ability, traction, and steering accuracy. Using tyres of a different size or construction can cause the ABS to work inconsistently.

The ABS works by comparing the speed of the wheels. When replacing tyres, use the same size originally supplied with the vehicle. Tyre size and construction can affect wheel speed and may cause the system to work.

CONTINUED

It is best to replace all four tyres at the same time. If that is not possible or necessary, replace the two front tyres or two rear tyres as a pair. Replacing just one tyre can seriously affect your vehicle's handling.

If you ever replace a wheel, make sure that the wheel's specifications match those of the original wheels. Consult your dealer before replacing tyres.

Replacement wheels are available at your dealer.

WARNING

Installing improper tyres on your vehicle can affect handling and stability. This can cause a crash in which you can be seriously hurt or killed.

Always use the size and type of tyres recommended in the tyre information label on your vehicle.

Wheels and Tyres

Wheels:

1.8 ℓ engine models

16 x 6 1/2J

17 x 7J

2.0 ℓ engine models (Type-R)

18 x 7 1/2J

Diesel engine models

15 x 6JJ

16 x 6 1/2J

17 x 7J

Tyres:

1.8 l engine models

205/55R16 91V

225/45R17 91Y

225/45ZR17 91Y

2.0 l engine models (Type-R)

225/40R18 88Y

Diesel engine models

195/65R15 91V

205/55R16 91V

225/45R17 91Y

The sizes of wheels and tyres installed on your vehicle vary depending on models.

See the tyre information label on the driver's doorjamb or ask your dealer for information on the proper size of the tyres on your vehicle.

Winter Tyres

Because of the limited winter qualification of summer tyres for winter use we recommend the use of winter tyres (M+S tyres) on snowy and icy roads. If M+S tyres are installed, all four wheels should be equipped to insure safe driving. Use only tyres of the same brand with the same profile. Pay attention to the tyre size, load capacity and speed class when buying.

Install the winter tyres according to the remarks in the registration paper. According to the EEC Directive for tyres, when winter tyres are used, it is necessary to affix a sticker with the allowable max. speed of the winter tyres clearly in the field of view of the driver, if the designed max. speed of vehicle is higher than the allowed max. speed of winter tyre. A sticker is obtainable from your tyre dealer. If any questions arise, please discuss these with one of our dealers.

Tyre Chains

Use snow chains only in an emergency or when they are legally required for driving through a certain area. Install the snow chains on the front wheels. Use greater caution when driving with snow chains on snow or ice. They may have less-predictable handling than good winter tyres without chains. Some snow chains may damage the vehicle's tyres, wheels, suspension and body. Choose only fine limbed chains which guarantee enough free space between the tyre and the other vehicle parts in the wheelhouse. Pay attention to the sectional assembly view and other directions from the chain manufacturer. Consult your dealer before purchasing any type of chains for your vehicle.

When you have installed tyre chains, drive at less than 30 km/h (19 mph) on roads covered with snow or ice. To minimize tyre and chain wear, avoid driving on cleared roads with chains installed.

Except Type-R

On vehicles equipped with 225/45R17, 195/65R15 size tyres

You cannot install any type of tyre chains on your vehicle. Replace the original tyres with optional 205/55R 16 tyres if you need to install tyre chains.

Type-R

On vehicles equipped with 225/40R18 size tyres

You cannot install any type of tyre chains on your vehicle. Replace the original wheels with optional 16 × 6 1/2 JJ wheels (205/55R 16 tyre) if you need to install tyre chains.

For EU models

Use only the specified chains or their equivalents for your tyres as listed.

Original Tyre Size* ¹	Chain Type
195/65R15* ²	Not Available
205/55R16	RUD-matic classic 48482 or equivalents
225/45R17* ²	Not Available
225/40R18* ³	Not Available

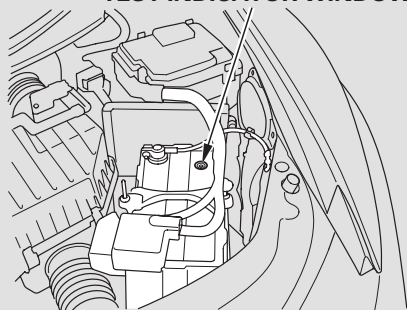
* 1: Original tyre is mentioned on the tyre information label on the driver's doorjamb.

* 2: On 225/45R17, 195/65R15 tyres, you cannot install any type of tyre chains. If you have to use tyre chains, replace the original tyres with the optional 205/55R16 tyre.

* 3: On Type-R, only Type-R wheels 16 × 6 1/2 JJ (205/55R 16 tyre) can be used. If you are not sure, ask your dealer.

Checking the Battery

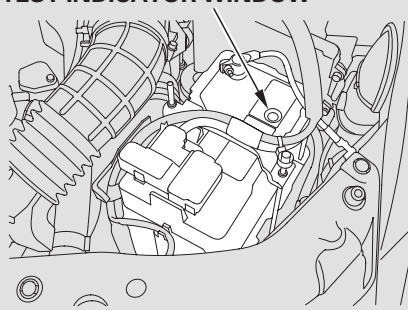
TEST INDICATOR WINDOW



Except Type-R

Check the condition of the battery monthly by looking at the test indicator window. The label on the battery explains the test indicator's colours.

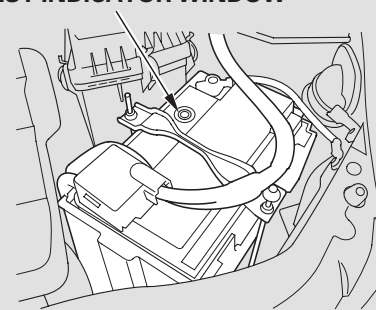
TEST INDICATOR WINDOW



Type-R

Check the terminals for corrosion (a white or yellowish powder). To remove it, cover the terminals with a solution of baking soda and water. It will bubble up and turn brown. When this stops, wash it off with plain water. Dry off the battery with a cloth or paper towel. Coat the terminals with grease to help prevent future corrosion.

TEST INDICATOR WINDOW



Diesel models

If additional battery maintenance is needed, see your dealer or a qualified technician.

If you need to connect the battery to a charger, disconnect both cables to prevent damaging your vehicle's electrical system. Always disconnect the negative (–) cable first, and reconnect it last.

⚠ WARNING

The battery gives off explosive hydrogen gas during normal operation. A spark or open flame can cause the battery to explode with enough force to kill or seriously hurt you.

Keep all sparks, open flames, and smoking materials away from the battery.

Wear protective clothing and a face shield, or have a skilled technician do the battery maintenance.

⚠ WARNING

The battery contains sulfuric acid (electrolyte) which is highly corrosive and poisonous.

Getting electrolyte in your eyes or on your skin can cause serious burns. Wear protective clothing and eye protection when working on or near the battery.

Swallowing electrolyte can cause fatal poisoning if immediate action is not taken.

KEEP OUT OF THE REACH OF CHILDREN

Emergency Procedures

Eyes — Flush with water from a cup or other container for at least 15 minutes. (Water under pressure can damage the eye.) Call a physician immediately.

Skin — Remove contaminated clothing. Flush the skin with large quantities of water. Call a physician immediately.

Swallowing — Drink water or milk. Call a physician immediately.

CONTINUED

Checking the Battery, Vehicle Storage

On the right-hand drive types

If your vehicle's battery is disconnected or goes dead, the speedometer's reading is reset to the mph or km/h (for some types) display (see page 85).

On vehicles with i-SHIFT

If your vehicle's battery is disconnected or goes dead, you must move the shift lever to neutral and press on the brake pedal to reset the neutral position after reconnecting the battery. You press on the brake pedal for about 3 seconds until the gear position indicator shows N the next time you turn the ignition switch to the ON (II) position.

Vehicle Storage

If you need to park your vehicle for an extended period (more than 1 month), there are several things you should do to prepare it for storage. Proper preparation helps prevent deterioration and makes it easier to get your vehicle back on the road. If possible, store your vehicle indoors.

- Fill the fuel tank.
- Change the engine oil and filter.
- Wash and dry the exterior completely.
- Clean the interior. Make sure the carpeting, floor mats, etc., are completely dry.
- Leave the parking brake off. Put the transmission in reverse.

- Block the rear wheels.
- If the vehicle is to be stored for a longer period, it should be supported on jackstands so the tyres are off the ground.
- Leave one window open slightly (if the vehicle is being stored indoors).
- Disconnect the battery.
- Support the front wiper blade arms with a folded towel or rag so they do not touch the windscreen.
- To minimize sticking, apply a silicone spray lubricant to both doors and tailgate seals. Also, apply a vehicle body wax to the painted surfaces that mate with the door and tailgate seals.

- Cover the vehicle with a “breathable” cover, one made from a porous material such as cotton. Non-porous materials, such as plastic sheeting, trap moisture, which can damage the paint.
- If possible, periodically run the engine until it reaches full operating temperature (the cooling fans cycle on and off twice). Preferably, do this once a month.


On Diesel models only

- After you parked the vehicle for an extended period, water stays in the fuel system and the engine will not start. In this case, the fuel filter may be needed to drain off water (see **Draining Water** on page 384).

If you store your vehicle for 1 year or longer, have your dealer perform the maintenance inspections called for in the 2 years/40,000 km (25,000 miles) maintenance schedule* as soon as you take it out of storage (see page 355). The replacements called for in the maintenance schedule are not needed unless the vehicle has actually reached that time or distance.

*: For EU countries, Australia, and New Zealand, see the separate service information booklet.

Priming the Fuel System (Diesel models only)

If your vehicle runs out of fuel, the malfunction indicator lamp will come on, or the symbol “  ” will appear on the multi-information display, and the engine will not restart after refueling the fuel tank with the appropriate fuel (see pages 468 and 469).

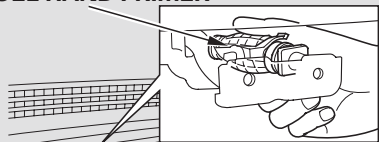
In this case, air may have entered the fuel system. The system requires priming to start the engine. Prime the fuel system as follows:

1. Refuel the fuel tank (minimum 5 litres).
2. Open the bonnet.

CONTINUED

Vehicle Storage

FUEL HAND PRIMER



HOLDING SCREW

- Loosen the two holding screws, then remove the cover.
- Squeeze the fuel hand primer until you feel a strong resistance.

NOTICE

Do not press the engine cover forcibly. This may damage the engine cover and component parts.

- Start the engine (see page 320). If the engine does not start right away, do not hold the ENGINE START button for more than 10 seconds at a time. This will damage the fuel pump and the engine starter.
- If the engine fails to start, return to step 4.
- After the engine restarts, press the accelerator pedal slightly and hold it at approximately 1,500 rpm for about 30 seconds. This will complete the air bleeding in the fuel system.
- Reinstall the cover in front of the fuel hand primer, then tighten the holding screws securely.
- The engine runs normally, but the malfunction indicator lamp or the PGM-FI warning remains on.

To turn off the indicator, restart and turn off the engine at least three times at intervals of approximately 30 seconds.

If this procedure is performed during normal driving, the indicator will be turned off and the PGM-FI warning on the multi-information display will go out.

If you are not sure how to bleed the air, contact your dealer.

If the engine fails to restart after priming the fuel system, there is a problem in the fuel system. You should have the vehicle inspected by your dealer.

Regular cleaning and polishing of your vehicle helps to keep it “new” looking. This section gives you information on how to clean your vehicle and preserve its appearance: the paint, brightwork, wheels and interior. Also included are several things you can do to help prevent corrosion.

Exterior Care.....	424
Washing	424
Waxing	425
Aluminium Wheels	425
Paint Touch-up.....	426
Interior Care.....	427
Carpeting	427
Floor Mats	427
Fabric	428
Vinyl	428
Leather.....	428
Windows	428
Seat Belts.....	429
Air Fresheners.....	429
Corrosion Protection.....	430

Exterior Care

Washing

Frequent washing helps preserve your vehicle's beauty. Dirt and grit can scratch the paint, while tree sap and bird droppings can permanently ruin the finish.

Wash your vehicle in a shady area, not in direct sunlight. If the vehicle is parked in the sun, move it into the shade and let the exterior cool down before you start.

Only use the solvents and cleaners recommended in this owner's manual.

NOTICE

Chemical solvents and strong cleaners can damage the paint, metal, and plastic on your vehicle.

- Rinse the vehicle thoroughly with cool water to remove loose dirt.
- Fill a bucket with cool water. Mix in a product made especially for car washing.
- Wash the vehicle using water and detergent solution and a soft-bristle brush, sponge, or soft cloth. Start at the top and work your way down. Rinse frequently.
- Check the body for road tar, tree sap, etc. Remove these stains with tar remover or turpentine. Rinse it off immediately so it does not harm the finish. Remember to re-wax these areas, even if the rest of the vehicle does not need waxing.
- When you have washed and rinsed the whole exterior, dry it with a chamois or soft towel. Letting it air-dry will cause dulling and water spots.

As you dry the vehicle, inspect it for chips and scratches that could allow corrosion to start. Repair them with touch-up paint (see page 426).

Waxing

Always wash and dry the whole vehicle before waxing it. You should wax your vehicle, including the metal trim, whenever water sits on the surface in large patches. It should form into beads or droplets after waxing.

You should use a quality liquid or paste wax. Apply it according to the instructions on the container. In general, there are two types of products:

Waxes — A wax coats the finish and protects it from damage by exposure to sunlight, air pollution, etc. You should use a wax on your vehicle when it is new.

Polishes — Polishes and cleaner/waxes can restore the shine to paint that has oxidized and lost some of its shine. They normally contain mild abrasives and solvents that remove the top layer of the finish. You should use a polish on your vehicle if the finish does not have its original shine after using a wax.

Cleaning tar, insects, etc. with removers also takes off the wax. Remember to re-wax those areas, even if the rest of the vehicle does not need waxing.

Aluminium Wheels (On some models)

Clean your vehicle's aluminium alloy wheels as you do the rest of the exterior. Wash them with the same solution, and rinse them thoroughly.

The wheels have a protective clearcoat that keeps the aluminium from corroding and tarnishing. Using harsh chemicals, including some commercial wheel cleaners or stiff brushes, can damage this clear-coat. Only use a mild detergent and soft brush or sponge to clean the wheels.

Paint Touch-up

Your dealer has touch-up paint to match your vehicle's colour. The colour code is printed on a plate on the doorjamb on the left side. Take this code to your dealer so you are sure to get the correct colour.

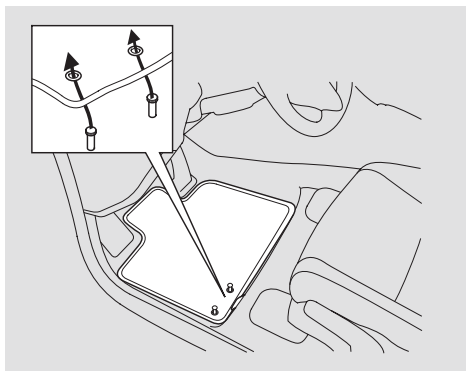
Inspect your vehicle frequently for chips or scratches in the paint. Repair them right away to prevent corrosion of the metal underneath. Use the touch-up paint only on small chips and scratches. More extensive paint damage should be repaired by a professional.

Carpeting

Vacuum the carpeting frequently to remove dirt. Ground-in dirt will make the carpet wear out faster.

Periodically shampoo the carpet to keep it looking new. Use one of the foam-type carpet cleaners on the market. Follow the instructions that come with the cleaner, applying it with a sponge or soft brush. Keep the carpeting as dry as possible by not adding water to the foam.

Floor Mats (Optional)



The driver's floor mat that came with your vehicle hooks over the floor mat anchors. This keeps the floor mat from sliding forward and possibly interfering with the pedals.

If you remove the driver's floor mat, make sure to re-anchor it when you put it back in your vehicle.

If you use non-Honda floor mats, make sure they fit properly and that they can be used with the floor mat anchors. Do not put additional floor mats on top of an anchored mat.

Fabric

Vacuum dirt and dust out of the material frequently. For general cleaning, use a solution of mild soap and lukewarm water, letting it air dry. To clean off stubborn spots, use a commercially-available fabric cleaner. Test it on a hidden area of the fabric first, to make sure it does not bleach or stain the fabric. Follow the instructions that come with the cleaner.

Vinyl

Remove dirt and dust with a vacuum cleaner. Wipe the vinyl with a soft cloth dampened in a solution of mild soap and water. Use the same solution with a soft-bristle brush on more difficult spots. You can also use commercially-available spray or foam-type vinyl cleaners.

Leather

(On some models)

Vacuum dirt and dust from the leather frequently. Pay particular attention to the pleats and seams. Clean the leather with a soft cloth dampened with clear water, then buff it with a clean, dry cloth. If further cleaning is needed, use a soap specifically for leather, such as saddle soap. Apply this soap with a damp, soft cloth. Wipe down and buff as described above.

If you use a leather cleaner, wipe it off quickly with a soft and dry cloth. Never leave a cloth soaked with leather cleaner on any part of the interior. If left for a long time, some leather cleaners may cause discoloration or cracking of interior trim or fabric.

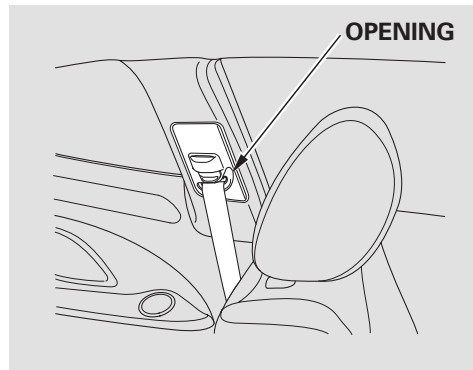
Windows

Clean the windows, inside and out, with a commercially-available glass cleaner. You can also use a mixture of one part white vinegar to ten parts water. This will remove the haze that builds up on the inside of the windows. Use a soft cloth or paper towels to clean all glass and clear plastic surfaces.

NOTICE

The rear window demister and antenna wires are bonded to the inside of the glass. Wiping vigorously up-and-down can dislodge and break these wires. When cleaning the rear window, use gentle pressure and wipe side-to-side.

Seat Belts



If your seat belts get dirty, use a soft brush with a mixture of mild soap and warm water to clean them. Do not use bleach, dye, or cleaning solvents. Let the belts air dry before you use the vehicle.

Dirt build-up on the openings of the seat belt anchors can cause the belts to retract slowly. Wipe the openings with a clean cloth dampened in mild soap and warm water or isopropyl alcohol.

Air Fresheners

If you want to use an air freshener/deodorizer in the interior of your vehicle, it is best to use a solid type. Some liquid air fresheners contain chemicals that may cause parts of the interior trim and fabric to crack or discolour.

If you use a liquid air freshener, make sure you fasten it securely so it does not spill as you drive.

Corrosion Protection

Two factors normally contribute to causing corrosion in your vehicle:

1. Moisture trapped in body cavities. Dirt and road salt that collects in hollows on the underside of the vehicle stays damp, promoting corrosion in that area.
2. Removal of paint and protective coatings from the exterior and underside of the vehicle.

Many corrosion-preventive measures are built into your vehicle. You can help keep your vehicle from corroding by performing some simple periodic maintenance:

- Repair chips and scratches in the paint as soon as you discover them.
- Inspect and clean out the drain holes in the bottom of the doors and body.
- Check the floor coverings for dampness. Carpeting and floor mats may remain damp for a long time, especially in winter. This dampness can eventually cause the floor panels to corrode.

- Use a high-pressure spray to clean the underside of your vehicle. This is especially important in areas that use road salt in winter. It is also a good idea in humid climates and areas subject to salty air. Be careful of the ABS wheel sensors and wiring at each wheel.
- Have the corrosion-preventive coatings on the underside of your vehicle inspected and repaired periodically.

This section covers the more common problems that motorists experience with their vehicles. It gives you information about how to safely evaluate the problem and what to do to correct it. If the problem has stranded you on the side of the road, you may be able to get going again. If not, you will also find instructions on getting your vehicle towed.

Compact Spare Tyre.....	432
Changing a Flat Tyre	434
Honda TRK	440
If the Engine Won't Start.....	454
Jump Starting	456
If the Engine Overheats (Petrol models)	460
If the Engine Overheats (Diesel models).....	462
Low Oil Pressure Indicator	464
Oil Level Indicator	465
Charging System Indicator.....	466
Malfunction Indicator Lamp (Petrol models)	467
Malfunction Indicator Lamp (Diesel models).....	468
PGM-FI Warning	469
Brake System Indicator	470
Fuses	471
Fuses Locations (Petrol models)	475
Fuses Locations (Diesel models).....	477
Emergency Towing	479

Compact Spare Tyre (For some types)

Use the compact spare tyre as a temporary replacement only. Get your regular tyre repaired or replaced, and put it back on your vehicle as soon as you can.

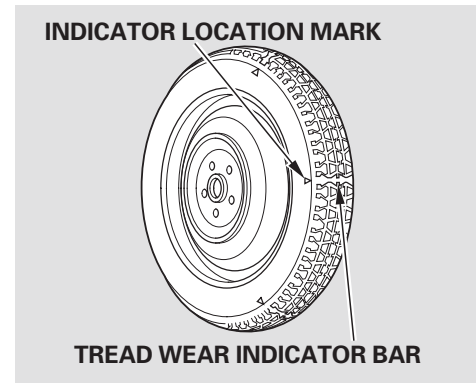
Check the inflation pressure of the compact spare tyre every time you check the other tyres. It should be inflated to:

420 kPa (4.2 kgf/cm² , 60 psi)

Follow these precautions:

- Never exceed 80 km/h (50 mph).
- This tyre gives a harsher ride and less traction on some road surfaces. Use greater caution while driving.
- Do not mount snow chains on the compact spare tyre.

- Do not use your compact spare tyre on another vehicle unless it is the same make and model.
- Do not use more than one compact spare tyre at the same time.
- Do not use the compact spare tyre if you are towing a trailer.
- The compact spare tyre is smaller than the regular tyre. Your vehicle's ground clearance reduces when the compact spare tyre is installed. Driving over road debris or bumps could possibly damage the underside of your vehicle.



Replace the tyre when you can see the tread wear indicator bars. The replacement should be the same size and design tyre, mounted on the same wheel. The spare tyre is not designed to be mounted on a regular wheel, and the spare wheel is not designed for mounting a regular tyre.

(For Australian model)

Temporary spare tyre fitted to this vehicle must have a maximum load rating of not less than “A” kg, or a load index of “B” and a speed category symbol of not less than “C” (“D” km/h).

Drive with caution when the temporary spare tyre is fitted. Do not exceed 80 km/h. Re-install normal wheel as soon as possible.

Where:

“A” kg is the maximum Load Rating

“B” is the equivalent Load Index

“C” is the Speed Category Symbol

“D” is the equivalent speed in km/h

A	B	C	D
Maximum Load Rating	Load Index	Speed Category Symbol	km/h (Speed)
825 kg	101	M	130 km/h

Compact Spare Tyre	Compact Spare Tyre Wheel
T135/80D16 101M	16 x 4T
Normal Tyre	
225/40R18 88Y	

Changing a Flat Tyre

Changing a Flat Tyre

On vehicles with spare tyre

If you have a flat tyre while driving, stop in a safe place to change it. Drive slowly along the shoulder until you get to an exit or an area that is far away from the traffic lanes.

NOTICE

Use the jack that came with your vehicle. If you try to raise another vehicle with this jack or use another jack to raise your vehicle, the vehicle or jack can be damaged.

On vehicles with Honda TRK

Your vehicle is equipped with the tyre sealant kit instead of the spare tyre. This kit is available for easy repair of a flat tyre (see page 440).

⚠ WARNING

The vehicle can easily roll off the jack, seriously injuring anyone underneath.

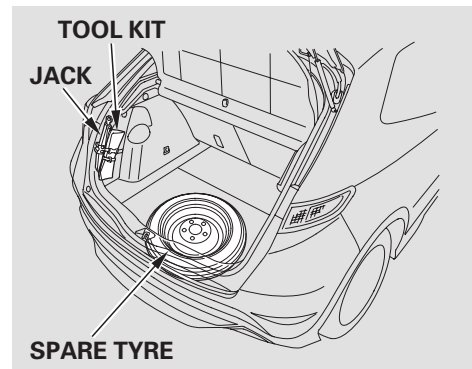
Follow the directions for changing a tyre exactly, and never get under the vehicle when it is supported only by the jack.

1. Park the vehicle on firm, level, and non-slippery ground. Put the transmission in reverse. Apply the parking brake.

Except for Type-R

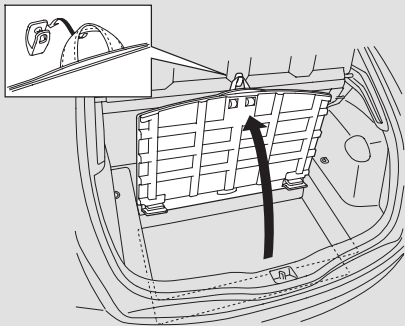
If you are towing a trailer, unhitch the trailer.

2. Turn on the hazard warning indicators, and turn the ignition switch to the LOCK (0) position. Have all the passengers get out of the vehicle while you change the tyre.

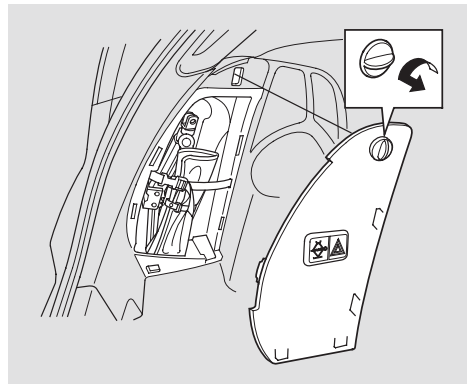


3. The tools are in the rear left side compartment in the luggage area.

4. Open the tailgate. Raise the luggage area floor by lifting up on the strap.

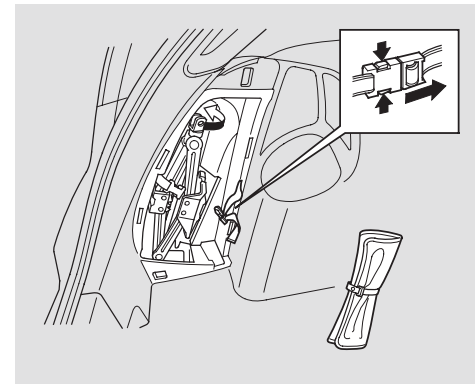


5. Hook the strap on the back of the luggage area cover (if equipped) to keep the floor lid open.



6. Take the tool bag out of the rear side compartment.

Remove the cover by turning the handle anticlockwise, then pulling out the cover. Unlatch the fastening strap by squeezing the tabs.

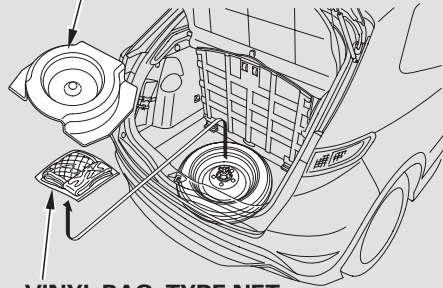


7. Turn the jack's end bracket anticlockwise to loosen it, then remove the jack.

CONTINUED

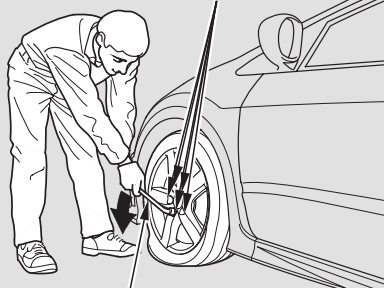
Changing a Flat Tyre

UNDER-FLOOR BOX

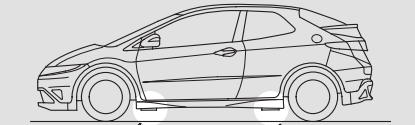


VINYL BAG, TYRE NET

WHEEL NUTS



WHEEL NUT WRENCH

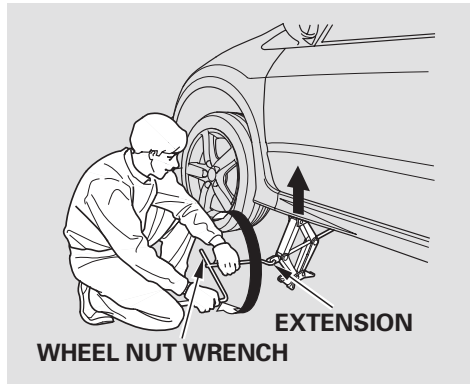


JACKING POINT

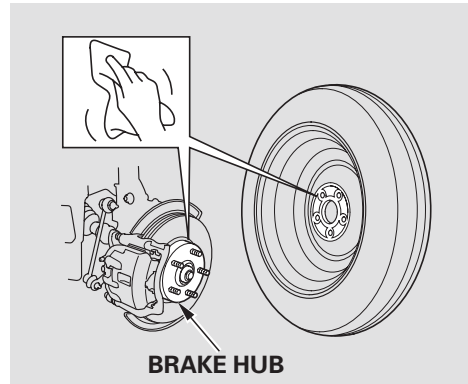
8. Remove the under-floor box and take out the vinyl bag and the tyre net.
9. Put the under-floor box back in place, then lower the floor lid.
10. Unscrew the wing bolt and take the spare tyre out of its well.
11. Place blocks in front and back of the wheel diagonally opposite the tyre you are changing.

12. Loosen each wheel nut 1/2 turn with the wheel nut wrench.

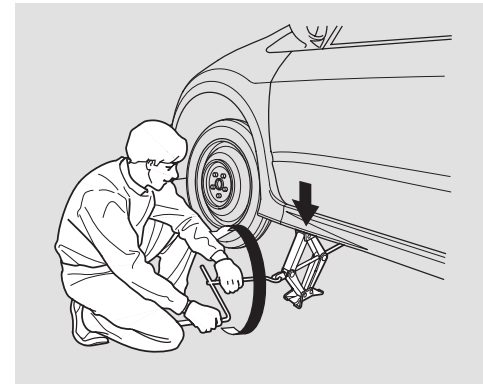
13. Place the jack under the jacking point nearest the tyre you need to change. Turn the end bracket clockwise until the top of the jack contacts the jacking point. Make sure the jacking point tab is resting in the jack notch.



14. Use the extension and the wheel nut wrench as shown to raise the vehicle until the flat tyre is off the ground.
15. Remove the wheel nuts, then remove the flat tyre. Handle the wheel nuts carefully; they may be hot from driving. Place the flat tyre on the ground with the outside surface facing up.



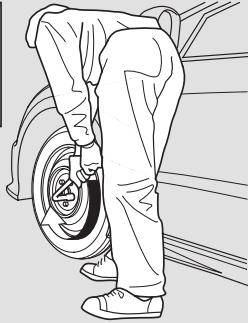
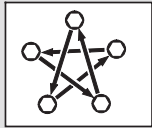
16. Before mounting the spare tyre, wipe any dirt off the mounting surface of the wheel and hub with a clean cloth. Wipe the hub carefully; it may be hot from driving.



17. Put on the spare tyre. Put the wheel nuts back on finger-tight, then tighten them in a crisscross pattern with the wheel nut wrench until the wheel is firmly against the hub. Do not try to tighten the wheel nuts fully.
18. Lower the vehicle to the ground, and remove the jack.

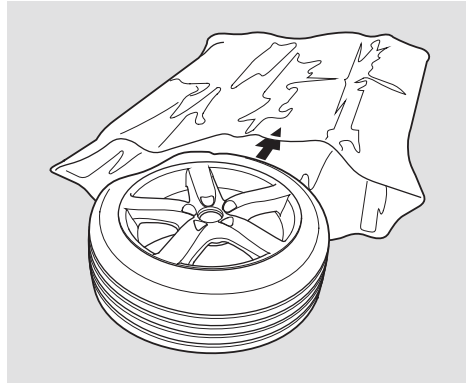
CONTINUED

Changing a Flat Tyre



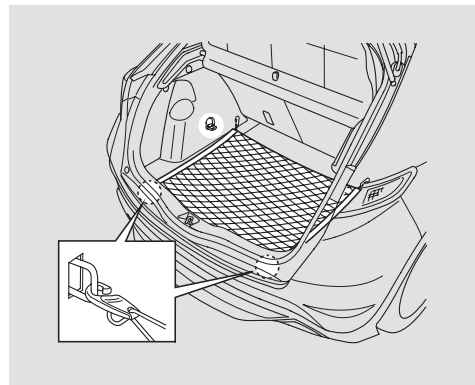
19. Tighten the wheel nuts securely in the same crisscross pattern. Have the wheel nut torque checked at the nearest automotive service facility.

Tighten the wheel nuts to:
108 N·m (11 kgf·m , 80 lbf·ft)

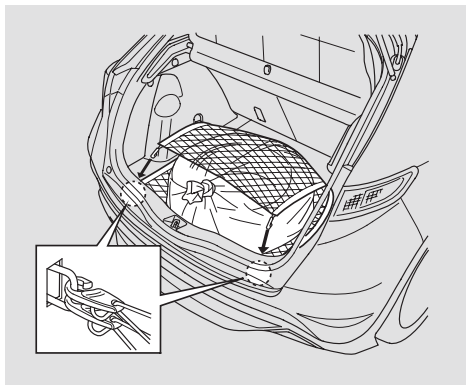


20. Put the flat tyre in the supplied vinyl bag.
21. Place the flat tyre on the luggage area floor.

Make sure to place the under-floor storage area lid (if equipped) on the upper position and put the flat tyre on the lid.



22. Place the supplied tyre net on the luggage area, then attach the two hooks to the luggage hooks on the tailgate opening.



23. Wrap the flat tyre with the net, then attach the other two hooks to the same luggage hooks as shown.
24. Store the jack in the rear left side compartment. Turn the jack's end bracket to lock it in place.
25. Store the tool kit in the rear left side compartment.

⚠ WARNING

Loose items can fly around the interior in a crash and could seriously injure the occupants.

Store the wheel, jack, and tools securely before driving.

26. Close the tailgate.

Honda TRK (For some types)



On vehicles with Honda TRK

Your vehicle is not equipped with a spare tyre. Instead, your vehicle has the tyre sealant kit (Honda TRK: temporary repair kit of TERRA-S®). This kit is available only for easy repair of a flat tyre.

When using the tyre sealant kit, always follow the instructions and the procedure in this owner's manual.

You should check the usable period of the tyre sealant according to the time and distance recommendations in the maintenance schedule*.

*: On EU models, refer to the Service Book that came with your vehicle.

To remind you of the instructions for using the tyre sealant kit, the handling manual is included in the kit. Symbols   on the handling manual are to remind you to read this owner's manual for using the tyre sealant kit.

Read the handling manual well and use it correctly.

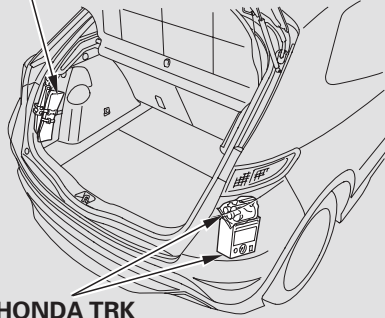
Small punctures in the tyre tread, caused by a nail or a screw, can be sealed with the temporary repair kit.

NOTICE

The temporary repair kit cannot be used in the following cases. Inform your dealer or a Roadside Assistance Service.

1. Expired best before date of the tyre sealant.
2. Cuts or piercing in the tyre tread larger than approximately 4 mm.
3. Cuts in the tyre side wall.
4. Tyre damage caused by driving with considerably reduced tyre pressure or even with deflated tyres.
5. A tyre bead completely unseated outside or inside of rim.
6. A rim damaged.
7. 2 or more tyres punctured.

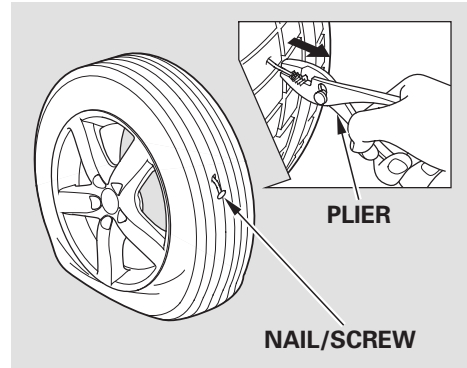
TOOL KIT



HONDA TRK

Open the tailgate. Remove the side cover by turning the handle anticlockwise. Take the Honda TRK out of the rear right side compartment.

Instructions for Use



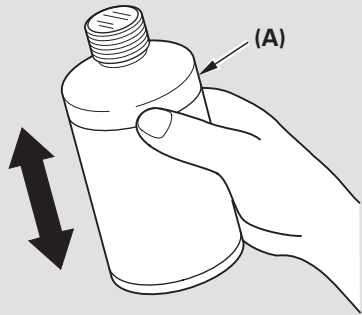
1. Pull out a nail or a screw in the tyre tread with the pliers supplied in the tool kit. When you can't pull it out or you can't find it, we recommend you to inform your dealer or Roadside Assistance Service. The kit can also be used to repair the tyre without removing the nail or screw but only in unavoidable cases.

⚠ CAUTION

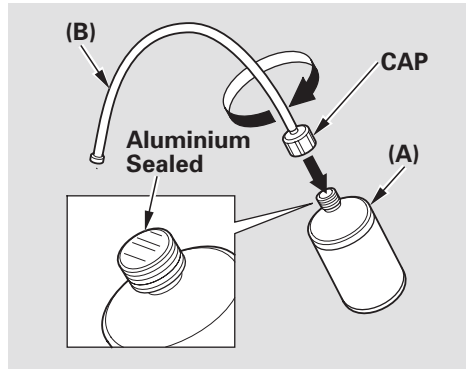
If you drive a vehicle after repair without extracting a nail or a screw, it may cause air leakage again or damage the inside and burst a tyre. If you have to drive, drive carefully, especially around corners.

CONTINUED

Honda TRK (For some types)



2. Take out the temporary repair kit and shake the bottle (A). Screw the filler hose (B) onto the bottle (A), thereby piercing the seal of aluminium.



⚠ CAUTION



Contains ethylene glycol.

- Harmful if swallowed. Swallow plenty of water and seek medical advice immediately.
- Irritating to eyes. Rinse immediately with plenty of water and seek medical advice.
- Keep locked up and out of the reach of children.
- If you shake the bottle after connecting the hose with the bottle, it may spill sealant. Shake bottle well before connecting hose.

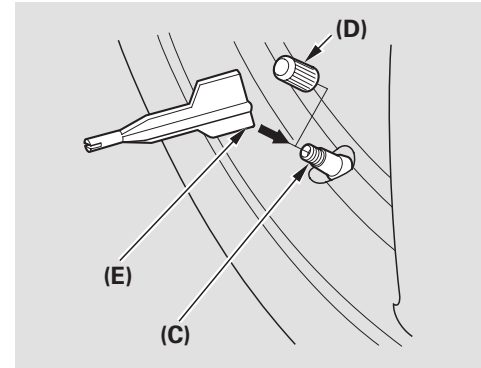
NOTICE

If sealant adheres to clothes, it may not be possible to remove. Be careful not to spill any.

Safety Label on the Sealant Bottle

To remind you of the information for repairing a flat tyre with this sealant kit, the labels are attached on the sealant bottle. Read the instructions carefully. Symbols   on the label are to remind you to read the Honda TRK section for using the tyre sealant kit.

If you have any questions about the tyre sealant kit, please contact your dealer.



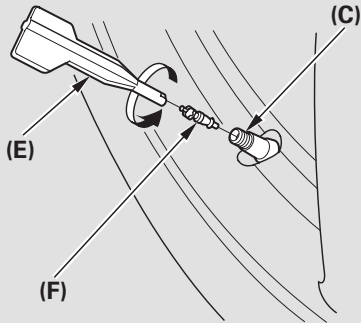
3. Unscrew the valve cap (D) from the tyre valve (C). Deflate the tyre completely pushing the valve insert using the back of the valve remover (E).

CONTINUED

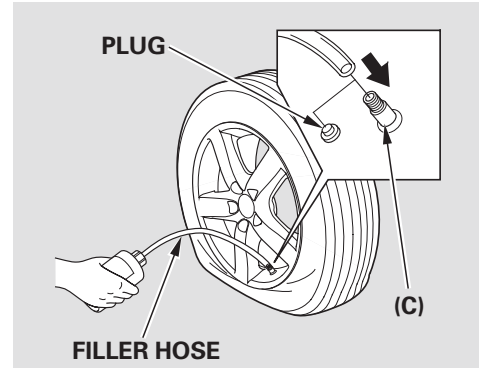
Honda TRK (For some types)

⚠ CAUTION

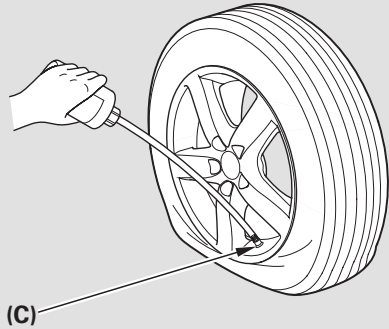
A valve insert can jump out, if air remains in tyre. Be careful in removing valve insert.



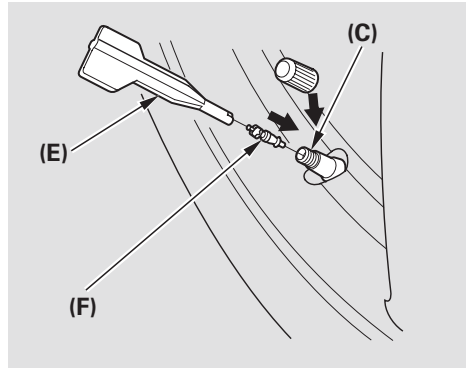
Unscrew the valve insert (F) using the valve remover (E). Do not place the valve insert (F) in the sand or dirt.



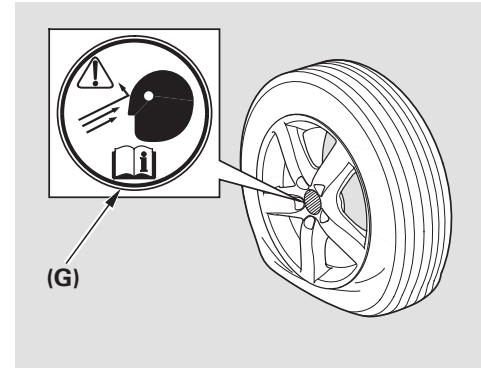
4. Pull the plug from the filler hose and slide the filler hose onto the tyre valve (C).



Hold the filling bottle with the filler hose downwards and compress. Squeeze the complete content into the tyre.



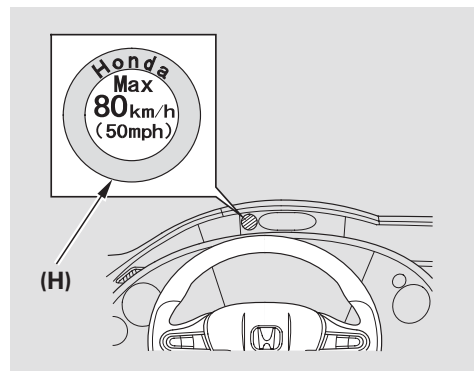
5. Pull off the filler hose and firmly screw the valve insert (F) into the tyre valve (C) using valve remover (E).



Affix a sticker of “Tyre Sealant in the tyre” (G) on the wheel.

CONTINUED

Honda TRK (For some types)



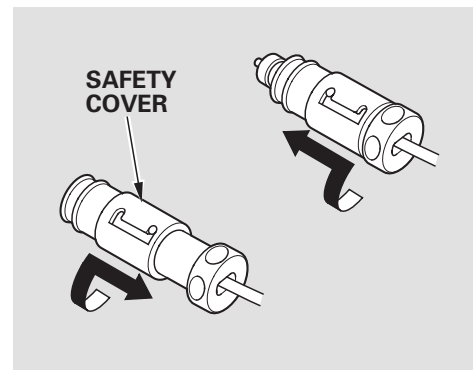
Affix a sticker of “Maximum Speed” (H) within the driver’s range of vision on the upper display.

⚠ CAUTION

Do not affix a sticker on the steering wheel. The SRS air bag may not function.

Do not affix it in the position where it prevents the driver from seeing the warning indicators or speedometer.

6. Screw the inflation hose (J) to the tyre valve (C). Fit the plug to socket (K) of the cigarette lighter.

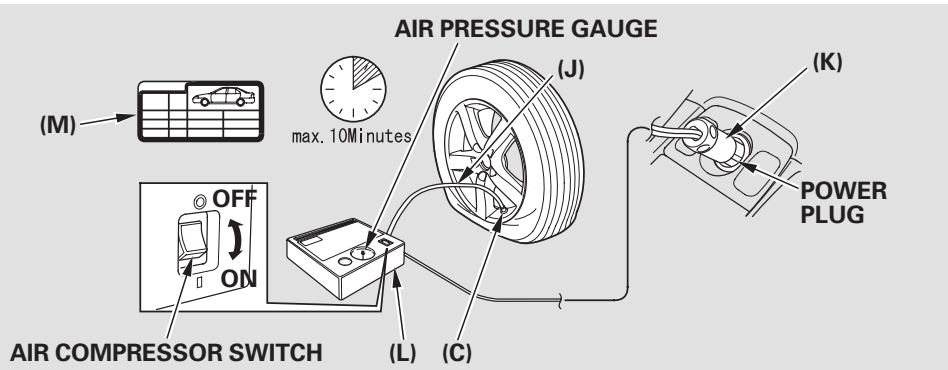


To use the power plug, disengage the safety cover by turning it clockwise. Slide it down then turn the cover clockwise again to lock it in position.

When the power plug is not in use, reverse this procedure to put the cover back in place. This helps to protect the plug end.

NOTICE

Operate electric inflation pump for not longer than 15 minutes. It can cause overheating.



Turn the ignition switch to the ACCESSORY (I) position. Turn on the air compressor (L). Inflate the tyre to the required air pressure (M). Do not inflate the tyre for more than 10 minutes. If overinflated, deflate air by loosening the screw of the hose.

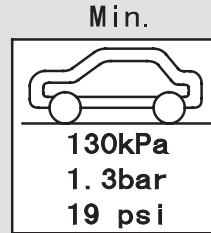
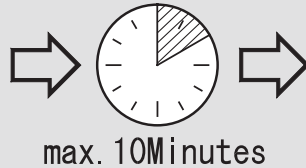
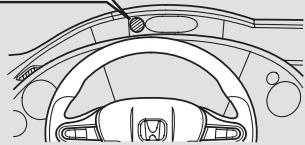
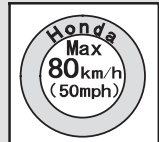
⚠ CAUTION

If the required air pressure is not reached within 10 minutes, the tyre may be severely damaged.

The Tyre Sealant Kit cannot provide the necessary seal. Inform a Honda Dealer or Roadside Assistant Service.

CONTINUED

Honda TRK (For some types)



7. Continue the journey immediately. Drive carefully within the speed of 80 km/h (50 mph).

NOTICE

If you drive a vehicle at the speed of more than 80 km/h (50 mph), your vehicle may vibrate and will not drive safely.

8. After 10 minutes or 5 km (3 miles) running, check the tyre pressure with the air compressor pressure gauge. Note that the air pressure must be checked with the air compressor turned off. If the tyre pressure is kept, the tyre puncture is sealed. Continue to drive carefully to the nearest Honda dealer or a Roadside Assistance Service.
9. If the required air pressure dropped, inflate the tyre to the required air pressure and repeat from step 6.

WARNING

In the following cases, do not drive on.

Inform a Honda dealer or a Roadside Assistance Service.

- **The tyre pressure has dropped below 130 kPa (1.3 bar, 19 psi).**
- **The tyre pressure has still dropped after steps 6 and 7.**

NOTICE

- Have the tyre replaced at the nearest Honda dealer. To repair the sealed tyre, consult your dealer.
- A wheel can be reused after wiping sealant with cloth, but the valve must be replaced.
- Dispose of the used bottle at a Honda dealer.

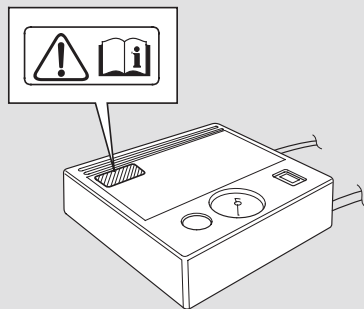
NOTICE

If the puncture hole cannot be detected, the tyre repair shop cannot repair the sealed tyre. When you continue running, check tyre pressure often and if tyre pressure decreases, repair the sealed tyre at a Honda dealer.



CONTINUED

Honda TRK (For some types)

Instructions for Labels on the Air Compressor



To remind you of the information for repairing a flat tyre with this sealant kit, the labels are attached on the air compressor. The following shows you the instructions for these labels.

Symbols   on the label are to remind you to read the section of Honda TRK for using the tyre sealant kit.

⚠ CAUTION

Do not run the engine in enclosed areas, or when the vehicle is supported by the jack.

⚠ CAUTION

Do not touch the air compressor with hands without protective clothing. Because it may be extremely hot while operating.

Never use the air compressor for 15 minutes or longer. When reusing, make sure the compressor is cool to the touch.

Do not use the air compressor for any other purpose than inflating your tyres.

NOTE:

The power supply of the air compressor is limited to the 12 volt DC accessories of the vehicle.

Directions

Before using the air compressor, drive your vehicle to the road shoulder and stop in a safe place that is far away from the traffic lanes.

Step 1.

Remove the valve cap from a flat tyre and securely connect the air compressor hose to the valve.

Step 2.

Connect the power plug of the air compressor to the socket of the cigarette lighter.

Step 3.

Turn the ignition switch to the ACCESSORY (I) position. Turn on the air compressor switch and inflate the tyre to the specified air pressure. Check the tyre pressure by using the air pressure gauge on the compressor.

NOTICE

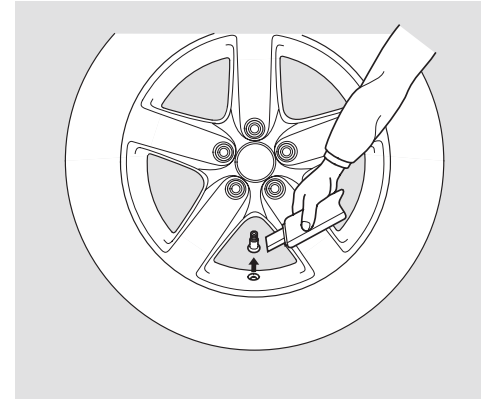
Turn off the switch on the air compressor before checking the air pressure.

Step 4.

When the tyre is inflated to specified air pressure, disconnect the power plug from the cigarette lighter socket. Make sure not to allow air to leak from the tyre. Then install and tighten the valve cap securely.

Sealant Extraction (For a Honda dealer)

Be careful not to spill sealant from a tyre.



1. Remove a tyre and a wheel from the vehicle. Deflate tyre pressure.
2. Cut the valve off with a knife.

CONTINUED

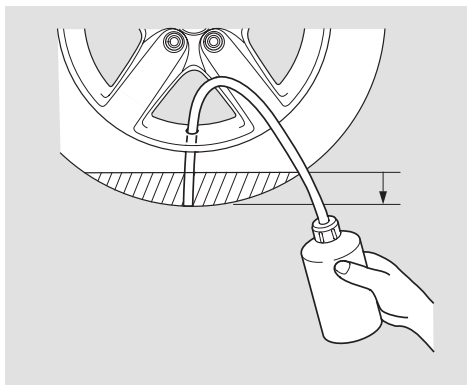
Honda TRK (For some types)

⚠ WARNING

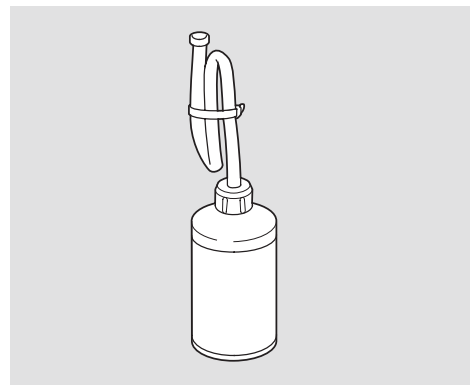
Be careful not to cut a hand or a finger.

NOTICE

Be careful not to damage the tyre or the wheel.



3. Insert the hose through the valve hole into the tyre.
The hose should enter the sealant as deeply as possible.
4. Squeeze the bottle and draw out the sealant.
(It is better to stand a tyre on a table.)
5. Repeat step 4 until the sealant cannot be drawn out.



6. Bend the hose and tie it with the strap or tape so that sealant does not leak. Dispose of the bottle at your dealer when you replace it with a new bottle.

NOTICE



Recycling sealant is important for protecting environmental resources. Please cooperate in collecting used sealant.

Sealant Label

SEAL



To remind you of the information for extracting the used sealant, this seal is attached on the wheel. It also shows you the tyre has been repaired by the tyre sealant kit. The following shows you the instructions on this seal.

Symbols   on the seal are to remind you to read this owner's manual for extracting the used sealant.

⚠ CAUTION

The sealant contains ethylene glycol.

Swallowing the sealant can cause fatal poisoning. Drink with large quantities of water. Call a physician immediately.

Getting the sealant in your eyes or on your skin can cause serious injury. Flush with large quantities of water thoroughly. Call a physician immediately.

Keep out of the reach of children.

Make sure to keep the sealant enclosed in the bottle.

If the Engine Won't Start

Diagnosing why your engine won't start falls into two areas, depending on what you hear when you press the ENGINE START button:

- You hear nothing, or almost nothing. The engine's starter motor does not operate at all, or operates very slowly.
- You can hear the starter motor operating normally, or the starter motor sounds like it is spinning faster than normal, but the engine does not start up and run.

NOTICE

Do not hold the ENGINE START button for more than 15 seconds.

Nothing Happens or the Starter Motor Operates Very Slowly

When you press the ENGINE START button, you do not hear the normal noise of the engine trying to start. You may hear a clicking sound or series of clicks, or nothing at all. Check these things:

- Turn the ignition switch to the ON (II) position. Turn on the headlights, and check their brightness. If the headlights are very dim or do not come on at all, the battery is discharged. See **Jump Starting** on page 456 .
- Press the ENGINE START button, then release it. If the headlights do not dim, check the condition of the fuses. If the fuses are OK, there is probably something wrong with the electrical circuit for the ignition switch or starter motor. You will need a qualified technician to determine the

problem (see **Emergency Towing** on page 479).

If the headlights dim noticeably or go out when you try to start the engine, either the battery is discharged or the connections are corroded. Check the condition of the battery and terminal connections (see page 418). You can then try jump starting the vehicle from a booster battery (see page 456).

On vehicles with i-SHIFT

- Turn the ignition switch to the ON (II) position. Press on the brake pedal and move the shift lever to neutral. Check the gear position indicator on the upper display. If it does not show N, the battery is discharged. See **Jump Starting** on page 456 .

If the indicator is blinking, move the shift lever out from neutral, then return it again while pressing on the brake pedal.

The Starter Operates Normally

In this case, the starter motor's speed sounds normal, or even faster than normal, when you press the ENGINE START button, but the engine does not run.

- Are you using the proper starting procedure? Refer to **Starting the Engine** on page 318 on petrol models with manual transmission, page 319 on petrol models with i-SHIFT, and page 320 on diesel models.
- Are you using a properly coded key? An improperly coded key will cause the immobilizer system indicator in the instrument panel to blink rapidly (see page 149).

- Do you have fuel? Check the fuel gauge; the low fuel indicator may not be working.
- There may be an electrical problem, such as no power to the fuel pump. Check all the fuses (see page 471).
- If equipped, the fuel cutoff switch may be activated. If the switch is activated, it must be reset before starting the engine (see page 306).

On diesel models only

- If your vehicle runs out of fuel, priming the fuel system is required to restart the engine (see page 421).
- After you have stored your vehicle for an extended period, air may have entered the fuel system (see **Priming the Fuel System** on page 421).

- After you parked the vehicle for an extended period or when the outside temperature becomes very high, water stays in the fuel system and the engine will not start. In this case, you should drain the water from the fuel filter (see page 384).

On all models

If you find nothing wrong, you will need a qualified technician to find the problem. See **Emergency Towing** on page 479.

Jump Starting

Although this seems like a simple procedure, you should take several precautions.

⚠ WARNING

A battery can explode if you do not follow the correct procedure, seriously injuring anyone nearby.

Keep all sparks, open flames, and smoking materials away from the battery.

To jump start your vehicle:

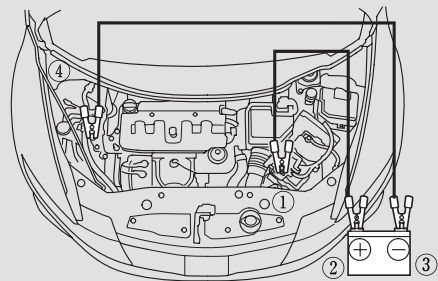
1. Open the bonnet, and check the physical condition of the battery. In very cold weather, check the condition of the electrolyte. If it seems slushy or frozen, do not try jump starting until it thaws.

NOTICE

If a battery sits in extreme cold, the electrolyte inside can freeze. Attempting to jump start with a frozen battery can cause it to rupture.

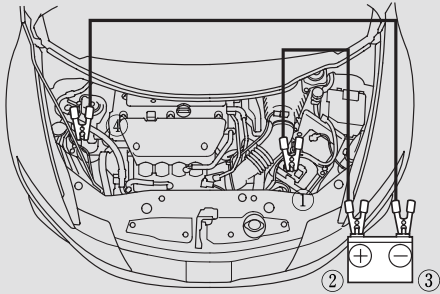
2. Turn off all the electrical accessories: heater, A/C, climate control, audio system, lights, etc. Put the transmission in neutral and set the parking brake.

Except Type-R

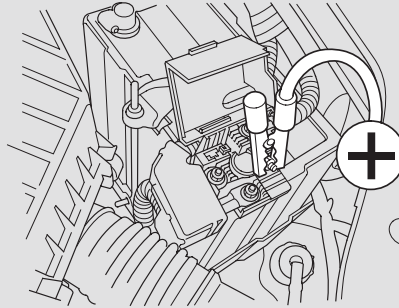


The numbers in the illustrations show you the order to connect the jumper cables.

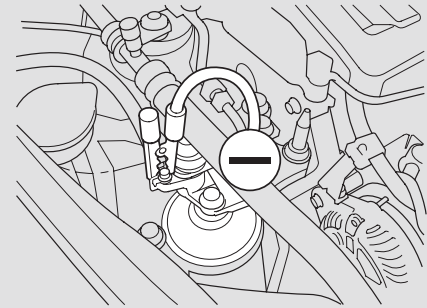
Type-R



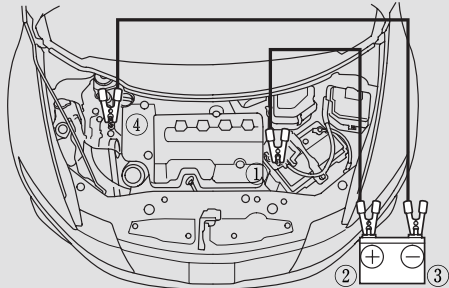
Except Type-R



Except Type-R



Diesel models

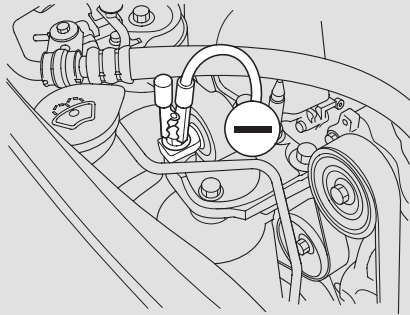


3. Connect one jumper cable to the positive (+) terminal on your battery. Connect the other end to the positive (+) terminal on the booster battery.

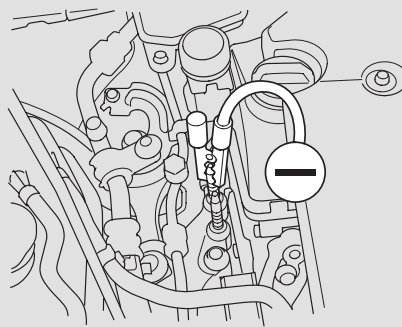
4. Connect the second jumper cable to the negative (-) terminal on the booster battery. Connect the other end to the grounding strap as shown. Do not connect this jumper cable to any other part of the engine.

CONTINUED

Type-R



Diesel models



On diesel models

Connect the second jumper cable to the negative (-) terminal on the booster battery. Connect the other end to the stud bolt on the engine side as shown. Do not connect this jumper cable to any other part of the engine.

5. If the booster battery is in another vehicle, have an assistant start that vehicle and run it at a fast idle.
6. Start the vehicle. If the starter motor still operates slowly, check that the jumper cables have good metal-to-metal contact.

7. Once the vehicle is running, disconnect the negative cable from your vehicle, then from the booster battery. Disconnect the positive cable from your vehicle, and then from the booster battery.

Keep the ends of the jumper cables away from each other and any metal on the vehicle until everything is disconnected. Otherwise, you may cause an electrical short.

On vehicles with i-SHIFT

After jump starting, you must move the shift lever to neutral and press on the brake pedal for about 3 seconds until the gear position indicator shows N the next time you turn the ignition switch to the ON (II) position.

If the Engine Overheats (Petrol models)

The pointer of the vehicle's temperature gauge should stay in the midrange. If it climbs to the red mark, you should determine the reason (hot day, driving up a steep hill, etc.).

If your vehicle overheats, you should take immediate action. The only indication may be the temperature gauge climbing to or above the red mark. Or you may see steam or spray coming from under the bonnet.

NOTICE

Driving with the temperature gauge pointer at the red mark can cause serious damage to your engine.

WARNING

Steam and spray from an overheated engine can seriously scald you.

Do not open the bonnet if steam is coming out.


1. Safely pull to the side of the road. Put the transmission in neutral, and set the parking brake. Turn off the all accessories, and turn on the hazard warning indicators.
2. If you see steam and/or spray coming from under the bonnet, turn off the engine. Wait until you see no more signs of steam or spray, then open the bonnet.
3. If you do not see steam or spray, leave the engine running and watch the temperature gauge. If the high heat is due to overloading, the engine should start to cool down almost immediately. If it does, wait until the temperature gauge comes down to the midpoint, then continue driving.
4. If the temperature gauge stays at the red mark, turn off the engine.
5. Look for any obvious coolant leaks, such as a split radiator hose. Everything is still extremely hot, so use caution. If you find a leak, it must be repaired before you continue driving (see **Emergency Towing** on page 479).

6. If you don't find an obvious leak, check the coolant level in the radiator reserve tank (see page 304).
7. If there was no coolant in the reserve tank, you may need to add coolant to the radiator. Let the engine cool down until the pointer reaches the middle of the temperature gauge, or lower, before checking the radiator.

WARNING

Removing the radiator cap while the engine is hot can cause the coolant to spray out, seriously scalding you.

Always let the engine and radiator cool down before removing the radiator cap.

8. Using gloves or a large heavy cloth, turn the radiator cap anticlockwise, without pushing down, to the first stop. After the pressure releases, push down on the cap, and turn it until it comes off.
9. Start the engine, and set the temperature control dial to maximum heat (climate control to AUTO at “  ”). Add coolant to the radiator up to the base of the filler neck. If you do not have the proper coolant mixture available, you can add plain water. Remember to have the cooling system drained and refilled with the proper mixture as soon as you can.
10. Put the radiator cap back on tightly. Run the engine, and check the temperature gauge. If it goes back to the red mark, the engine needs repair (see **Emergency Towing** on page 479).
11. If the temperature stays normal, check the coolant level in the radiator reserve tank. If it has gone down, add coolant to the MAX mark. Put the cap back on tightly.

If the Engine Overheats (Diesel models)

The pointer of your vehicle's temperature gauge should stay in the midrange under most conditions. It may go higher if you are driving up a long steep hill on a very hot day. If it climbs to the red mark, you should determine the reason.

NOTICE

Driving with the temperature gauge pointer at the red mark can cause serious damage to your engine.

Your vehicle can overheat for several reasons, such as lack of coolant or a mechanical problem. The only indication may be the temperature gauge climbing to or above the red mark. Or you may see steam or spray coming from under the bonnet. In either case, you should take immediate action.

WARNING

Steam and spray from an overheated engine can seriously scald you.

Do not open the bonnet if steam is coming out.


1. Safely pull to the side of the road. Put the transmission in neutral and set the parking brake. Turn off the climate control system and all other accessories. Turn on the hazard warning indicators.
2. If you see steam and/or spray coming from under the bonnet, turn off the engine.
3. If you do not see steam or spray, leave the engine running and watch the temperature gauge. If the high heat is due to overloading (climbing a long, steep hill on a hot day with the A/C running, for example), the engine should start to cool down almost immediately. If it does, wait until the temperature gauge comes down to the midpoint, then continue driving.
4. If the temperature gauge stays at the red mark, turn off the engine.
5. Wait until you see no more signs of steam or spray, then open the bonnet.

WARNING

Removing the expansion tank cap while the engine is hot can cause the coolant to spray out, seriously scalding you.

Always let the engine and radiator cool down before removing the expansion tank cap.


6. Look for any obvious coolant leaks, such as a split radiator hose. Everything is still extremely hot, so use caution. If you find a leak, it must be repaired before you continue driving (see **Emergency Towing** on page 479).
7. If you don't find an obvious leak, check the coolant level in the expansion tank (see page 305).
8. If the expansion tank needs coolant, you will have to remove the cap. Before doing that, turn the ignition switch to the ON (II) position and check the temperature gauge. Remove the expansion tank cap only if the temperature gauge pointer has come down to normal or below the red mark and you do not hear any bubbling or gurgling noises coming from the cooling system.

9. Use a cloth or glove to protect your hand while removing the expansion tank cap. Loosen the cap by turning it 1/8 turn anticlockwise. Stop and wait for any pressure in the expansion tank to escape. Then remove the cap by turning it anticlockwise.
10. Start the engine and set the temperature control dial to maximum heat (climate control to AUTO at “  ”). Add coolant up to the MAX line on the expansion tank. If you do not have the proper coolant mixture available, you can add plain water. Remember to have the cooling system drained and refilled with the proper mixture as soon as you can.
11. Put the expansion tank cap back on tightly. Run the engine, and check the temperature gauge. If it goes back to the red mark, the engine needs repair (see **Emergency Towing** on page 479).
12. If the temperature stays normal, check the coolant level in the expansion tank. If it has gone down, add coolant to the MAX mark. Put the expansion tank cap back on tightly.



Low Oil Pressure Indicator

This indicator should come on when the ignition switch is in the ON (II) position, and go out after the engine starts. It should never come on when the engine is running. If it starts flashing or stays on, the oil pressure has dropped very low or lost pressure. Serious engine damage is possible and you should take immediate action.

You will also see the symbol “,” or this symbol with an “OIL PRESSURE LOW” message on the multi-information display (see page 104).

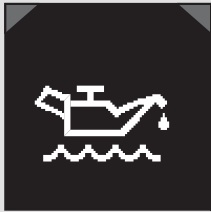
NOTICE


Running the engine with low oil pressure can cause serious mechanical damage almost immediately. Turn off the engine as soon as you can safely get the vehicle stopped.

1. Safely pull off the road, and shut off the engine. Turn on the hazard warning indicators.
2. Let the vehicle sit for a minute. Open the bonnet, and check the oil level (see page 302). An engine very low on oil can lose pressure during cornering and other driving manoeuvres.
3. If necessary, add oil to bring the level back to the full mark on the dipstick (see page 368).

4. Start the engine, and watch the oil pressure indicator. If it does not go out within 10 seconds, turn off the engine. There is a mechanical problem that needs to be repaired before you can continue driving (see **Emergency Towing** on page 479).

OIL LEVEL INDICATOR



Your vehicle has an engine oil level sensor to check the oil level. If the symbol “” for the oil level indicator comes on on the multi-information display when the engine is running, the engine oil level is low. You will also hear a beep when this symbol comes on. If you select the warning symbol with the message(s) in the customizing settings, you will see this symbol with a “CHECK ENGINE OIL LEVEL” message on the multi-information display (see

page 103).

If this symbol comes on, safely pull off the road, park the vehicle on level ground, turn off the engine and let the vehicle sit for approximately 3 minutes.

Check the oil level. If the engine oil level is near or below the lower mark on the dipstick, you should add the engine oil (see page 368 on petrol models, and page 370 on diesel models).

Do not fill above the upper mark on the dipstick and do not spill the engine oil in the engine compartment. This could damage the engine and other components.

If you do not carry spare engine oil in your vehicle, drive moderately to the nearest service area and add engine oil. Avoid full-throttle acceleration and driving at high speed.

The oil level symbol/message display can be reset each time you turn off the engine. When you start your trip again, the system begins to monitor the engine oil level. It may take a while until the system senses the engine oil level is low and the symbol, or the symbol with a message appear on the multi-information display. You should check the engine oil level and add engine oil before driving again if the oil level symbol, or the symbol with a “CHECK ENGINE OIL LEVEL” message comes on.

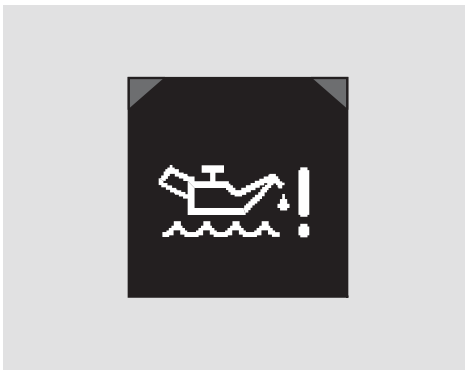
CONTINUED


NOTICE

If you ignore the oil level indicator and keep driving with this indicator on, you can seriously damage the engine.

This system activates after the engine warms up. If the outside temperature is extremely low, you may have to drive for a long time until the system senses the engine oil level.


Oil Level Sensor Failure



If the symbol “,” or this symbol with a “CHECK SYSTEM” message appears on the multi-information display when the engine is running, there is a system problem in the engine oil level sensor. You will also hear a beep. Have your dealer inspect your vehicle as soon as possible.



Charging System Indicator


This indicator should come on when the ignition switch is in the ON (II) position, and go out after the engine starts. If the charging system indicator comes on brightly when the engine is running, the battery is not being charged. You will also see the symbol “,” or this symbol with a “CHECK SYSTEM” message on the multi-information display (see page 105).

Immediately turn off all electrical accessories. Try not to use other electrically operated controls such as the power windows. Keep the engine running; starting the engine will discharge the battery rapidly.

Go to a dealer or a service station where you can get technical assistance.



This indicator comes on for a few seconds when you turn the ignition switch to the ON (II) position*. If the indicator comes on while driving, it means one of the engine's emissions control systems may have a problem. Even though you may feel no difference in your vehicle's performance, it can reduce your fuel economy and cause increased emissions. Continued operation may cause serious damage.

You will also see the symbol “,” or this symbol with a “CHECK SYSTEM” message on the multi-information display (see page 104).

If this indicator comes on, safely pull off the road and turn off the engine. Restart the engine and watch the indicator. If it stays on, have your vehicle checked by the dealer as soon as possible. Drive moderately until the dealer has inspected the problem. Avoid full-throttle

acceleration and driving at high speed.

You should also have the dealer inspect your vehicle if the indicator comes on frequently, even though it goes off when you follow the above procedure.

NOTICE


If you keep driving with the malfunction indicator lamp on, you can damage your vehicle's emissions controls and engine. Those repairs may not be covered by your vehicle's warranties.

* : On European models, if you turn the ignition switch to the ON (II) position, without starting the engine, the malfunction indicator lamp will come on for about 20 seconds. It then goes off or blinks 5 times under various conditions. This is normal: it shows the self-testing condition of the diagnostics for the emissions control systems.

Malfunction Indicator Lamp (Diesel models)



This indicator comes on for a few seconds when you turn the ignition switch to the ON (II) position. If it comes on at any other time, it indicates one of the emissions control systems may have a problem. Even though you may feel no difference in your vehicle's performance, it can reduce your fuel economy and cause your vehicle to put out excessive emissions. continued operation may cause serious damage.

You will also see the symbol “,” or this symbol with a “CHECK SYSTEM” message on the multi-information display (see page 104).

If this indicator comes on, safely pull off the road and turn off the engine. Restart and turn off the engine at least three times at intervals of approximately 30 seconds, then watch the indicator. If it stays on, have your vehicle checked by your

dealer as soon as possible. Drive moderately until the dealer has inspected the problem. Avoid full-throttle acceleration and driving at high speed.

You should also have the dealer inspect your vehicle if the indicator comes on frequently, even though it goes off when you follow the above procedure.

NOTICE

If you keep driving with the malfunction indicator lamp on, you can damage your vehicle's emissions controls and engine. Those repairs may not be covered by your vehicle's warranties.

This indicator will also come on and you cannot restart the engine after your vehicle has run out of fuel. If this occurs, refuel the fuel tank, then follow the procedure for **Priming the Fuel System** on page 421 before attempting to restart the engine.

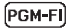
If you turn the ignition switch to the ON (II) position, without starting the engine, the malfunction indicator lamp will come on for about 20 seconds. It then goes off or blinks 5 times under various conditions. This is normal: it shows the self-testing condition of the diagnostics for the emissions control systems.



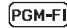
If you see this symbol or this symbol with a “CHECK SYSTEM” message on the multi-information display while the engine is running, there is a problem in the engine control system. Continued operation may cause serious damage.

If this symbol or the symbol with a message is displayed, safely pull off the road and turn off the engine. Restart and turn off the engine at least three times at intervals of approximately 30 seconds, then

watch the multi-information display. If it appears again, have your vehicle checked by your dealer as soon as possible. Drive moderately until the dealer has inspected the problem. Avoid full-throttle acceleration and driving at high speed.

You should also have the dealer inspect your vehicle if this symbol “  ” appears on the multi-information display frequently, even though it goes off when you follow the above procedure.

NOTICE

If you keep driving with the symbol “  ” on, you can damage your vehicle’s emissions controls and engine. Those repairs may not be covered by your vehicle’s warranties.

On diesel models

This symbol or the symbol with a message will also appear on the multi-information display and you cannot restart the engine after your vehicle has run out of fuel. If this occurs, refuel the fuel tank, then follow the procedure for **Priming the Fuel System** on page 421 before attempting to restart the engine.

This symbol or the symbol with a message may also appear if you do not use the proper fuel for the climate or regional condition. This may cause the engine power to reduce (see page 299).


Brake System Indicator



The brake system indicator normally comes on when you turn the ignition switch to the ON (II) position, and as a reminder to check the parking brake. It will stay on if you do not fully release the parking brake.


If the brake system indicator comes on while driving, the brake fluid level is probably low. Press lightly on the brake pedal to see if it feels normal. If it does, check the brake fluid level the next time you stop at a service station (see page 378).

If the fluid level is low, take your vehicle to a dealer, and have the brake system inspected for leaks or worn brake pads.

You will also see the symbol “,” or this symbol with a “BRAKE FLUID LOW” message on the multi-information display.

However, if the brake pedal does not feel normal, you should take immediate action. A problem in one part of the system’s dual circuit design will still give you braking at two wheels. You will feel the brake pedal go down much farther before the vehicle begins to slow down, and you will have to press harder on the pedal.

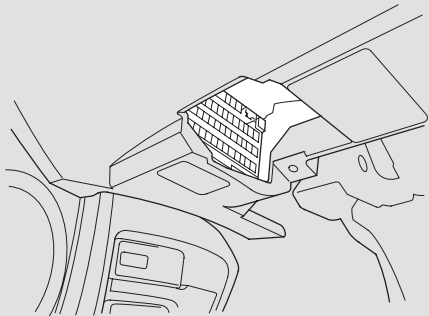
Slow down by shifting to a lower gear, and pull to the side of the road when it is safe. Because of the long distance needed to stop, it is hazardous to drive the vehicle. You should have it towed and repaired as soon as possible (see **Emergency Towing** on page 479).

You will also see the symbol “,” or this symbol with a “CHECK SYSTEM” message in the multi-information display if there is a problem with the brake system.

If you must drive the vehicle a short distance in this condition, drive slowly and carefully.

If the ABS indicator comes on with the brake system indicator, have your vehicle inspected by your dealer immediately.

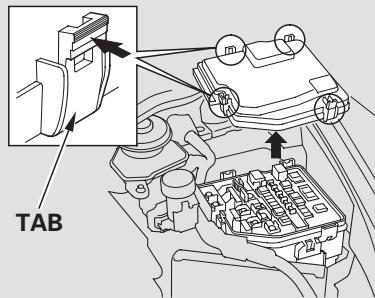
INTERIOR FUSE BOX



The vehicle's fuses are located in two fuse boxes.

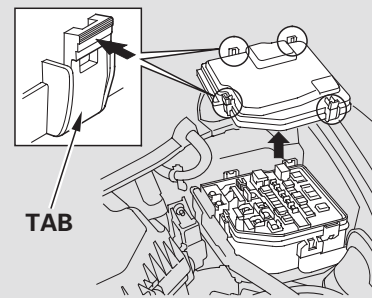
The interior fuse box is on the driver's lower left corner.

Petrol models UNDER-BONNET FUSE BOX



The under-bonnet fuse box is located in the back of the engine compartment on the left side. To open it, push the tabs as shown.

Diesel models UNDER-BONNET FUSE BOX

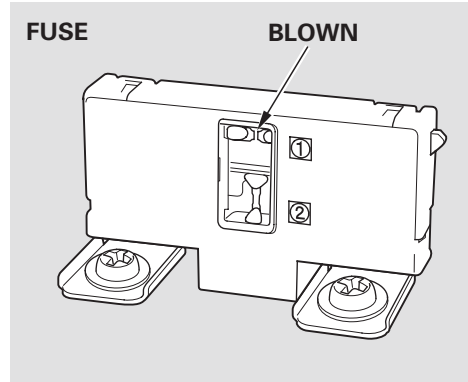


Fuses

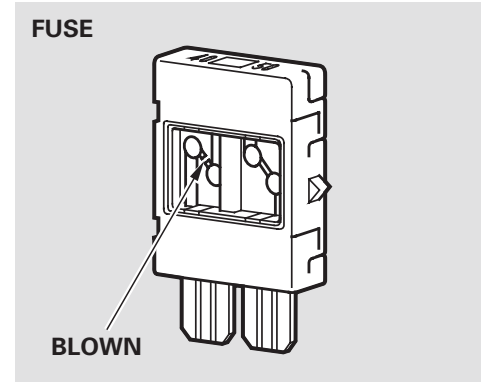
Checking and Replacing Fuses

If something electrical in your vehicle stops working, the first thing you should check for is a blown fuse. Determine from the chart on pages 475 and 476 on petrol models, and pages 477 and 478 on diesel models, or the diagram on the fuse box lid, which fuse or fuses control that device. Check those fuses first, but check all the fuses before deciding that a blown fuse is the cause.

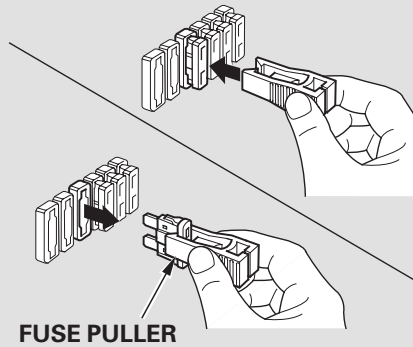
Replace any blown fuses, and check if the device works.



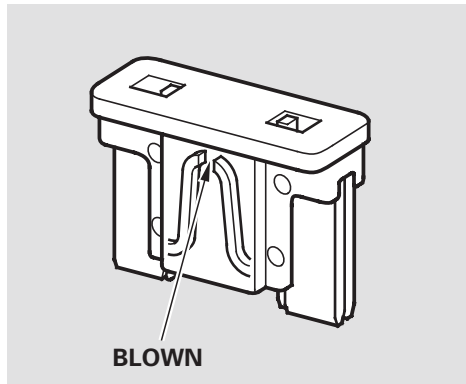
1. Turn the ignition switch to the LOCK (0) position. Make sure the headlights and all other accessories are off.
2. On the under-bonnet fuse box, remove the cover from the fuse box.



3. Check each of the large fuses in the under-bonnet fuse box by looking through the side window at the wire inside. Remove the screws with a Phillips-head screwdriver.



4. Check the smaller fuses in the under-bonnet fuse box and all the fuses in the interior fuse box by pulling out each one with the fuse puller provided in the under-bonnet fuse box.



5. Look for a burned wire inside the fuse. If it is burned out, replace it with one of the spare fuses of the same rating or lower.

If you cannot drive the vehicle without fixing the problem, and you do not have a spare fuse, take a fuse of the same rating or a lower rating from one of the other circuits. Make sure you can do without that circuit temporarily (such as the cigarette lighter or radio).

If you replace the blown fuse with a spare fuse that has a lower rating, it might blow out again. This does not indicate anything wrong. Replace the fuse with one of the correct rating as soon as you can.

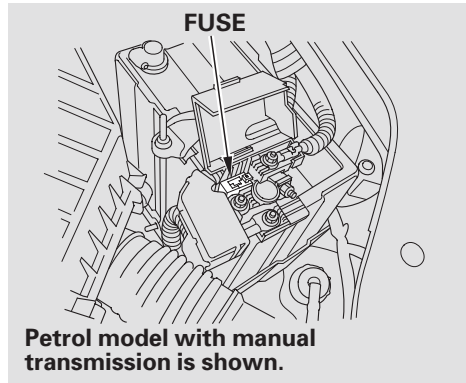
CONTINUED

Fuses

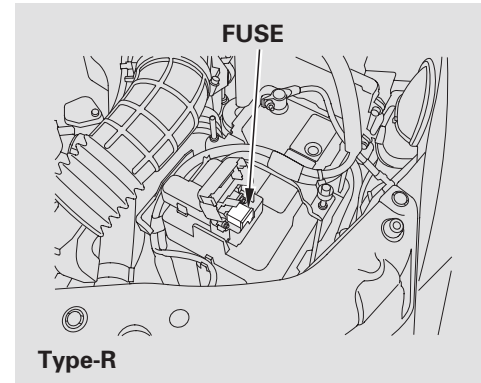
NOTICE

Replacing a fuse with one that has a higher rating greatly increases the chances of damaging the electrical system. If you do not have a replacement fuse with the proper rating for the circuit, install one with a lower rating.

6. If the replacement fuse of the same rating blows in a short time, there is probably a serious electrical problem with your vehicle. Leave the blown fuse in that circuit, and have your vehicle checked by a qualified technician.

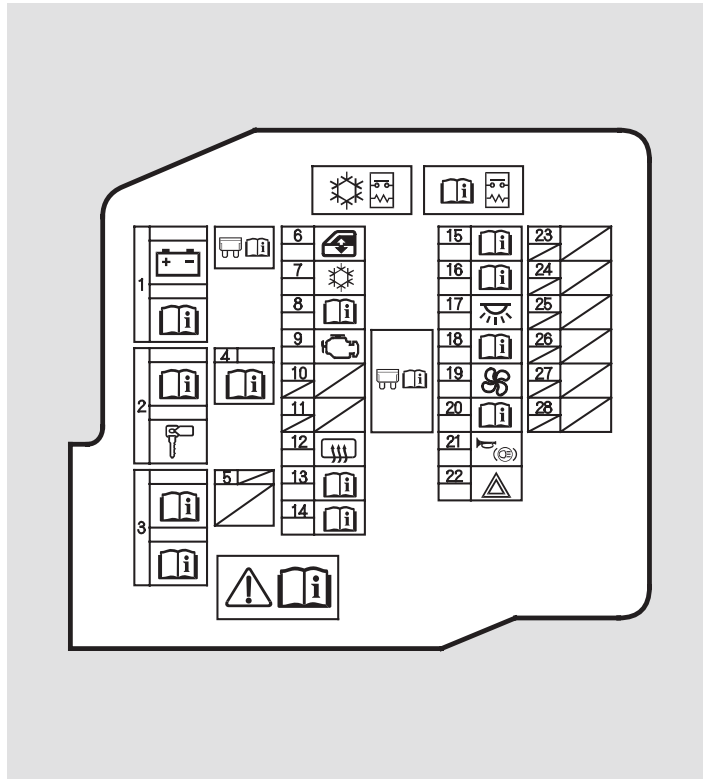


To check the battery fuse, remove the cover on the positive (+) terminal on the battery.



Fuse Locations (Petrol models)

UNDER-BONNET FUSE BOX



The fuses contained in the under-bonnet fuse box vary slightly depending on models. The locations of fuses are shown with symbols on the fuse label. Refer to the table below for the fuses on your vehicle.

No.	Circuits Protected
1	Main Fuse Battery
	EPS
2	Headlight Main
	Ignition Switch Main
3	VSA Motor/ABS Motor
	VSA F/S/ABS F/S
4	Option Main
5	i-SHIFT*
6	Power Window Main
7	MG Clutch
8	Throttle Control Relay
9	IG Power
10	Not Used
11	Not Used
12	Rear Demister

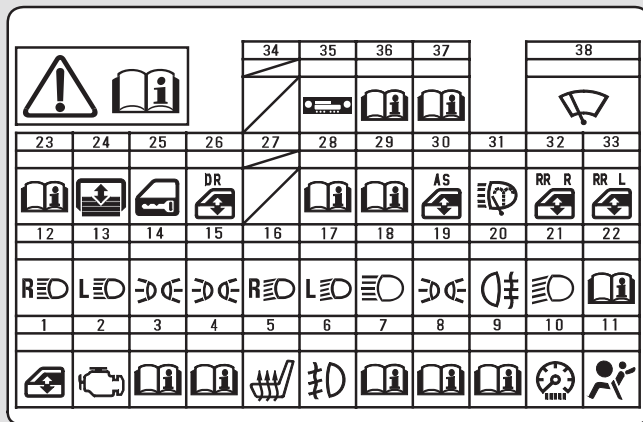
No.	Circuits Protected
13	LAF Sensor
14	IG Coil
15	Sub Fan
16	Back Up
17	Interior Light
18	Main Fan
19	Blower
20	Oil Level Sensor
21	Horn, Stop
22	Hazard
23	Not Used
24	Not Used
25	Not Used
26	Not Used
27	Not Used
28	Not Used

* : For some types

CONTINUED

Fuse Locations (Petrol models)

INTERIOR FUSE BOX



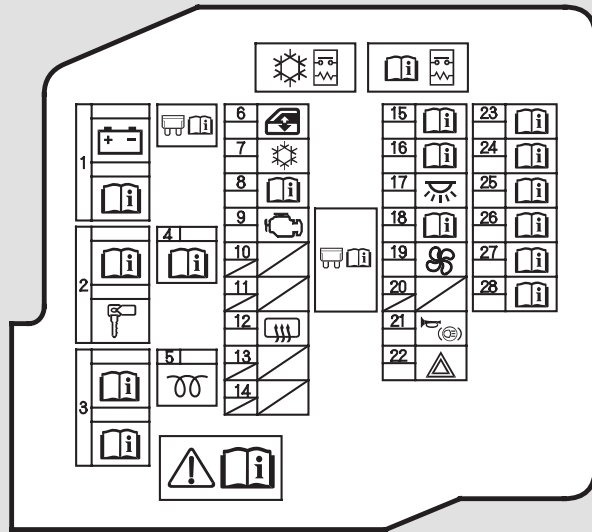
The fuses contained in the interior fuse box vary slightly depending on models. The locations of fuses are shown with symbols on the fuse label. Refer to the table below for the fuses on your vehicle.

No.	Circuits Protected
1	Power Window
2	Fuel Pump
3	IG1 ACG
4	ABS Unit
5	Heated Seats*
6	Front Fog Lights*
7	Daytime Running Lights*
8	IG1 START
9	ODS (Occupant Detection System)
10	Meter
11	SRS
12	Right Headlight High Beam
13	Left Headlight High Beam
14	Small Lights (Interior)
15	Small Lights (Exterior)
16	Right Headlight Low Beam
17	Left Headlight Low Beam
18	Headlight High Beam Main
19	Small Lights Main
20	Rear Fog Light

No.	Circuits Protected
21	Headlight Low Beam Main
22	Shifter
23	Start Signal
24	Sunshades*
25	Door Lock
26	Driver's Power Window
27	Not Used
28	Rear Accessory Socket
29	Accessory
30	Front Passenger's Power Window
31	Headlight Washer*
32	Not Used
33	Not Used
34	Not Used
35	Accessory, Radio
36	IG2 HAC
37	Daytime Light*
38	Front Wiper

* : For some types

UNDER-BONNET FUSE BOX



The fuses contained in the under-bonnet fuse box vary slightly depending on models. The locations of fuses are shown with symbols on the fuse label. Refer to the table below for the fuses on your vehicle.

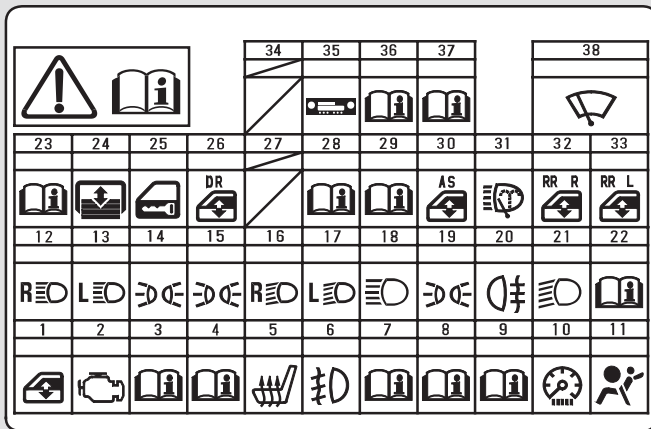
No.	Circuits Protected
1	Main Fuse Battery EPS
2	Headlight Main Ignition Switch Main
3	VSA Motor VSA F/S
4	Option Main
5	Glow
6	Power Window Main
7	MG Clutch
8	IGP2
9	IGP
10	Not Used
11	Not Used
12	Rear Demister

No.	Circuits Protected
13	Not Used
14	Not Used
15	Main Fan
16	Back Up
17	Interior Light
18	Sub Fan
19	Blower
20	Not Used
21	Horn, Stop
22	Hazard
23	Fuel Heater
24	ISV (Intake Shutter Valve)
25	Fuel Heater Monitor
26	PTC1 (Positive Temperature Coefficient Heater System)
27	PTC2
28	PTC3

CONTINUED

Fuse Locations (Diesel models)

INTERIOR FUSE BOX



The fuses contained in the interior fuse box vary slightly depending on models. The locations of fuses are shown with symbols on the fuse label. Refer to the table below for the fuses on your vehicle.

No.	Circuits Protected
1	Power Window
2	Fuel Pump
3	IG1 ACG
4	ABS Unit
5	Heated Seats*
6	Front Fog Lights*
7	Daytime Running Lights*
8	IG1 START
9	ODS (Occupant Detection System)
10	Meter
11	SRS
12	Right Headlight High Beam
13	Left Headlight High Beam
14	Small Lights (Interior)
15	Small Lights (Exterior)
16	Right Headlight Low Beam
17	Left Headlight Low Beam
18	Headlight High Beam Main
19	Small Lights Main
20	Rear Fog Light

No.	Circuits Protected
21	Headlight Low Beam Main
22	Shifter
23	Start Signal
24	Sunshades*
25	Door Lock
26	Driver's Power Window
27	Not Used
28	Rear Accessory Socket
29	Accessory
30	Front Passenger's Power Window
31	Headlight Washer*
32	Not Used
33	Not Used
34	Not Used
35	Accessory, Radio
36	IG2 HAC
37	Daytime Light*
38	Front Wiper

* : For some types

If your vehicle needs to be towed, call a professional towing service or organization. Never tow your vehicle with just a rope or chain. It is very dangerous.

There are three popular types of professional towing equipment.

Flat-bed Equipment — The operator loads your vehicle on the back of a truck. **This is the best way to transport your vehicle.**

Wheel-lift Equipment — The tow truck uses two pivoting arms that go under the front tyres and lift them off the ground. The other two rear tyres remain on the ground. **This is an acceptable way to tow your vehicle.**

Sling-type Equipment — The tow truck uses metal cables with hooks on the ends. These hooks go around parts of the frame or suspension and

the cables lift that end of the vehicle off the ground. Your vehicle's suspension and body can be seriously damaged. **This method of towing is unacceptable.**

If, due to damage, your vehicle must be towed with the front wheels on the ground, do the following:

Manual transmission:

- Release the parking brake.
- Shift the transmission to neutral.

i-SHIFT (automated manual transmission):

- Release the parking brake.
- Turn the ignition switch to the ON (II) position.
- Shift to N.
- Make sure that the gear position indicator shows N.
- Turn the ignition switch to the ACCESSORY (I) position.

NOTICE

Improper towing preparation will damage the transmission. Follow the above procedure exactly. If you cannot shift the transmission, your vehicle must be transported with the front wheels off the ground.

On vehicles with i-SHIFT

If the gear position indicator does not show N with the ignition switch in the ON (II) position, the transmission may not be shifted to neutral. In this case, your vehicle must be transported with the front wheels off the ground.

CONTINUED

Emergency Towing

With the front wheels on the ground, it is best to tow the vehicle no farther than 80 km (50 miles), and keep the speed below 55 km/h (35 mph).

If your vehicle is equipped with a front spoiler, remove it before towing so it is not damaged.

Do not tie down the vehicle at an angle with which the towing cables hit against the vehicle's front bumper. To avoid your vehicle from damaging, protect the front bumper with a tape.

If you decide to tow your vehicle with all four wheels on the ground, make sure you use a properly-designed and attached tow bar. Prepare the vehicle for towing as described above, and leave the ignition switch in the ACCESSORY (I) position so the steering wheel does not lock. Make sure the radio and any electrical accessories are turned off so they do not run down the battery.

NOTICE

The steering system can be damaged if the steering wheel is locked. Leave the ignition switch in the ACCESSORY (I) position, and make sure the steering wheel turns freely before you begin towing.

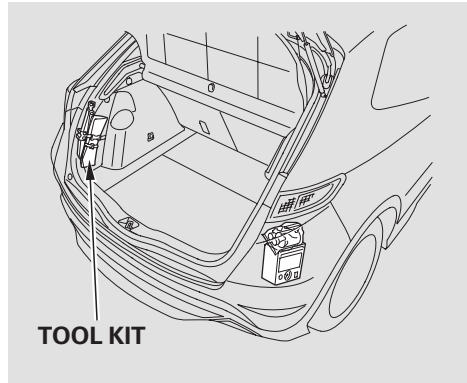
NOTICE

Trying to lift or tow your vehicle by the bumpers will cause serious damage. The bumpers are not designed to support the vehicle's weight.

If Your Vehicle Gets Stuck

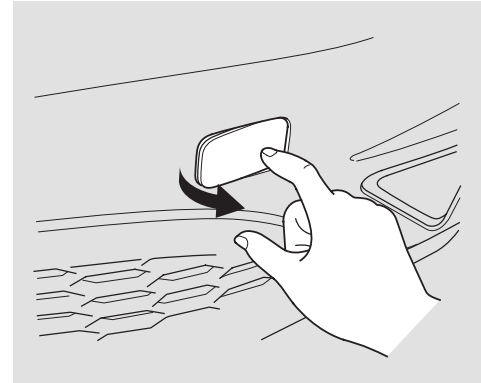
If your vehicle gets stuck in sand, mud, or snow, call a towing service to pull it out (see the previous page).

For very short distances, such as freeing the vehicle, you can use the detachable front towing hook equipped with your vehicle. Make sure to use the properly-designed and attached towing equipment.



To attach the front towing hook on the left of the front bumper on your vehicle:

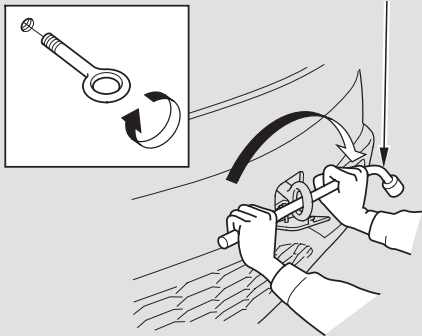
1. Take the front towing hook, the wheel nut wrench and the flat-tipped screwdriver out of the tool kit bag in the left side storage in the luggage area.



2. Remove the cover from the bumper by pushing the right corner edge of the cover with your finger.

Emergency Towing

WHEEL NUT WRENCH



3. Screw the front towing hook into the bolt hole behind the bumper through the opening and tighten the hook securely by the wheel nut wrench.

Trying to lift or tow your vehicle by the bumpers will cause serious damage. The bumpers are not designed to support the vehicle's weight.

If you slip the clutch for a long time while trying to get unstuck, you may overheat and damage the transmission. Use a tow service to prevent transmission damage.

NOTICE

To avoid damage to your vehicle, use the front towing hook for straight, flat ground towing only. Do not tow at an angle. This hook should not be used for open-road towing.

The diagrams in this section give you the dimensions and capacities of your vehicle, and the locations of the identification numbers.

Identification Numbers.....	484
Specifications	487
Three Way Catalytic Converter (Petrol models)	493
Catalytic Converter (Diesel models).....	494

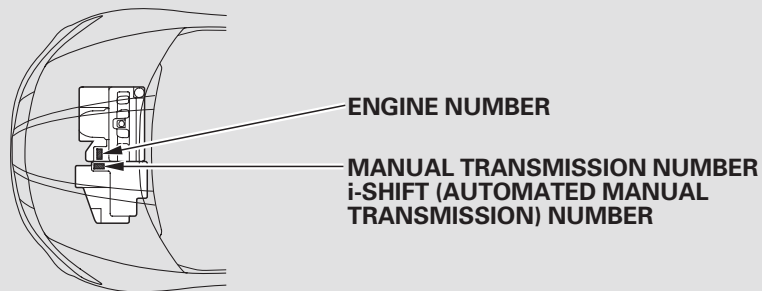
Identification Numbers

Your vehicle has several identifying numbers in various places.

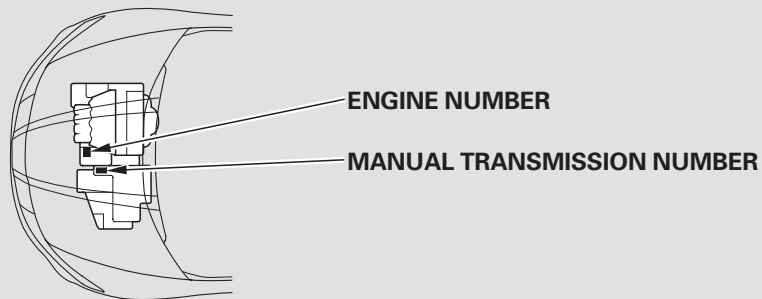
1. The chassis number is stamped on the fire wall.
2. The engine number is stamped into the engine block.
3. The transmission number is on a label on top of the transmission.

Do not mistake the transmission number for the engine number.

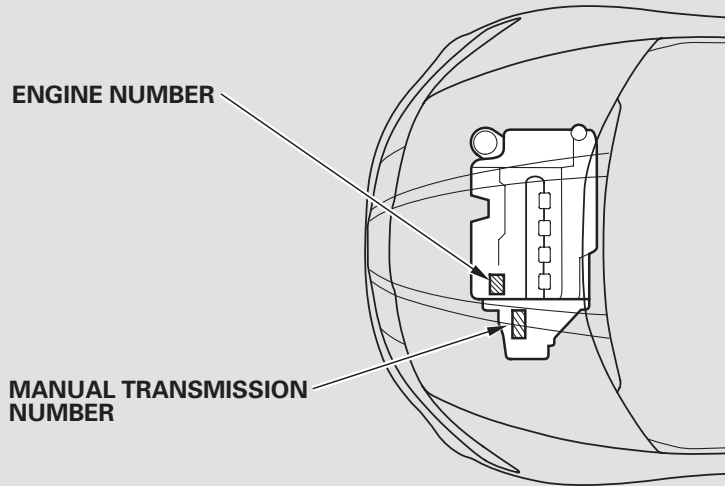
Except Type-R



Type-R



Diesel models



The chassis and engine numbers also appear on the plate attached to the driver's doorjamb.

On some types, a certification plate is attached to the driver's doorjamb.

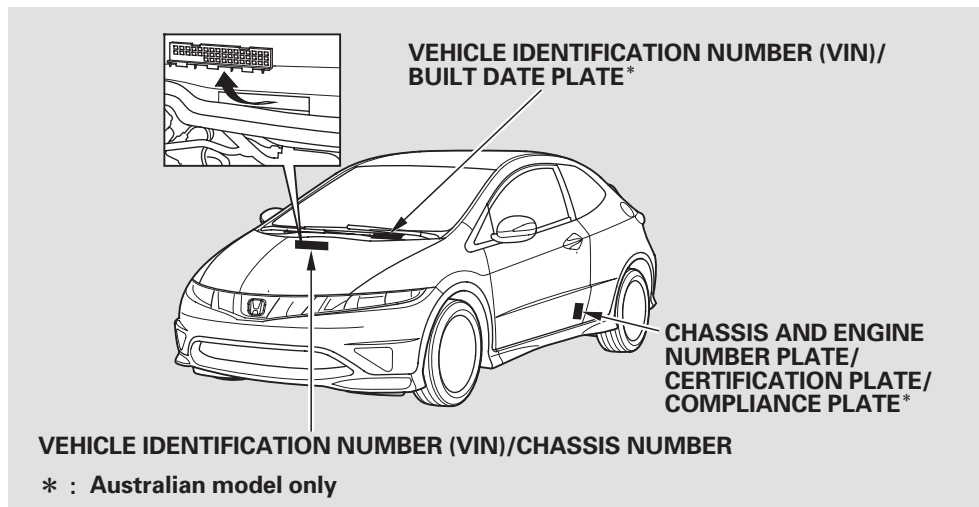
The Vehicle Identification Number (VIN)/chassis number also appears on a plate fastened to the top of the dashboard on some types.

CONTINUED

Identification Numbers

The vehicle identification number (VIN)/chassis number is moulded on the fire wall in the engine compartment. To access this number, remove the lid on the back of the engine compartment. Make sure to reinstall the lid before closing the bonnet.

On Australian model, the compliance plate is attached to the left side doorjam.



On Australian model
BUILT DATE information appears on the plate on the top of the dashboard.

BUILT DATE is the calendar month and the year in which the body shell and power train sub-assemblies are conjoined and the vehicle is driven or moved from the production line.

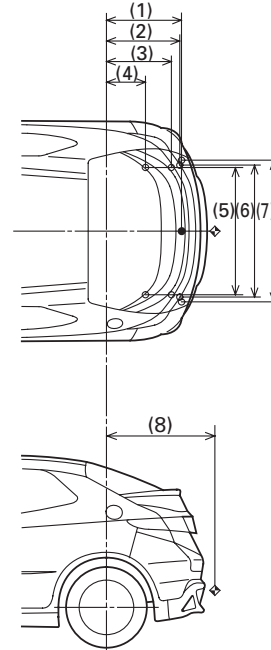
Dimensions

Length		4,270 mm (168.1 in)
		4,285 mm (168.7 in) *1
Width		1,785 mm (70.3 in)
Height		1,460 mm (57.5 in)
		1,445 mm (56.9 in) *2
Wheelbase		2,620 mm (103.1 in)
Track	Front	1,505 mm (59.3 in)
	Rear	1,530 mm (60.2 in)

* 1: Australian model

* 2: Type-R

The towbar mounting point/rear over hang of coupling device (Except Type-R)



No.	Dimensions
(1)	655 mm (25.8 in)
(2)	621 mm (24.4 in)
(3)	538 mm (21.2 in)
(4)	325 mm (12.8 in)
(5)	1,014 mm (39.9 in)
(6)	1,025 mm (40.4 in)
(7)	1,125 mm (44.3 in)
(8)	863 mm (34.0 in)

NOTE:

- marks show towbar fixing points.
- ◆ mark shows towbar coupling point.

CONTINUED

Specifications

Weights

Curb weight	
1.8 l models	1,196 – 1,317 kg (2,637 – 2,903 lbs)
2.0 l models (Type-R)	1,267 – 1,357 kg (2,793 – 2,992 lbs)
Diesel models	1,313 – 1,453 kg (2,895 – 3,203 lbs)
Max. permissible weight* ¹	
1.8 l models	1,750 kg (3,858 lbs)
2.0 l models (Type-R)	1,700 kg (3,748 lbs)
Diesel models	1,890 kg (4,167 lbs)
Max. permissible axle weight (Front)* ¹	
1.8 l models	940 kg (2,072 lbs)
2.0 l models (Type-R)	980 kg (2,161 lbs)
Diesel models	1,085 kg (2,392 lbs)
Max. permissible axle weight (Rear)* ¹	
1.8 l models	830 kg (1,830 lbs)
2.0 l models (Type-R)	740 kg (1,631 lbs)
Diesel models	835 kg (1,841 lbs)
Max. loaded vehicle weight (ADR)* ⁵	1,700 kg (3,748 lbs)

* 1 : See the plate attached to the doorjamb on the left side or ask dealer for information.

* 2 : Diesel models

Except Type-R

Max. towing weight (EU)* ³	Trailer with brakes	1,400 kg (3,086 lbs)* ⁴ 1,500 kg (3,307 lbs)* ²
	Trailer without brakes	500 kg (1,102 lbs)
The maximum permissible vertical load on the coupling device (EU)		75 kg (165 lbs)

* 3 : The following is for Germany only.

The maximum trailer weight is valid for 12 % slope. For an increasing of the trailer weight you have to look in your vehicle paper or ask your next dealer.

* 4 : Petrol engine model

* 5 : Australian model

Engine (Petrol models)

Type	Water cooled 4-stroke SOHC i-VTEC in line, 4-cylinder gasoline engine
	Water cooled 4-stroke DOHC i-VTEC in line, 4-cylinder gasoline engine * ¹
Bore x Stroke	81 x 87.3 mm (3.19 x 3.44 in) 86 x 86 mm (3.39 x 3.39 in) * ¹
Displacement	1,799 cm ³ (110 cu-in) 1,998 cm ³ (122 cu-in) * ¹
Compression ratio	10.5 : 1 11.0 : 1 * ¹
Spark plugs * ²	IZFR6K-11S SKJ20DR-M11S IFR7G-11KS * ¹ SK22PR-M11S * ¹

Engine (Diesel models)

Type	Water cooled 4-stroke DOHC in line, 4-cylinder diesel engine with turbo charger, intercooler
Bore x Stroke	85 x 97.1 mm (3.35 x 3.82 in)
Displacement	2,204 cm ³ (134 cu-in)
Compression ratio	16.7 : 1

* 1 : Type-R

* 2 : Ask your dealer for replacement.

CONTINUED

Specifications

Capacities

Fuel tank		Approx. 50 ℓ (13.2 US gal , 11.0 Imp gal)
Engine coolant		
	Change *1, *3	4.4 ℓ (1.16 US gal , 0.97 Imp gal) *8 5.3 ℓ (1.40 US gal , 1.17 Imp gal) *5 6.6 ℓ (1.74 US gal , 1.45 Imp gal) *2
	Total	6.6 ℓ (1.74 US gal , 1.45 Imp gal) *8 6.8 ℓ (1.80 US gal , 1.50 Imp gal) *5 7.8 ℓ (2.06 US gal , 1.72 Imp gal) *2
Engine oil		
	Change *4	
	Including filter	4.4 ℓ (4.6 US qt , 3.9 Imp qt) *8 3.7 ℓ (3.9 US qt , 3.3 Imp qt) *5 5.9 ℓ (6.2 US qt , 5.2 Imp qt) *2
	Without filter	4.2 ℓ (4.4 US qt , 3.7 Imp qt) *8 3.5 ℓ (3.7 US qt , 3.1 Imp qt) *5 5.5 ℓ (5.8 US qt , 4.8 Imp qt) *2
	Total	5.5 ℓ (5.8 US qt , 4.8 Imp qt) *8 4.5 ℓ (4.8 US qt , 4.0 Imp qt) *5 6.8 ℓ (7.2 US qt , 6.0 Imp qt) *2

Capacities

Manual transmission fluid (including i-SHIFT)*5		
	Change	1.9 ℓ (2.0 US qt , 1.7 Imp qt) *8 1.4 ℓ (1.5 US qt , 1.2 Imp qt)
	Total	2.0 ℓ (2.1 US qt , 1.8 Imp qt) *8 1.6 ℓ (1.7 US qt , 1.4 Imp qt)
Manual transmission fluid*2		
	Change	2.2 ℓ (2.3 US qt , 1.9 Imp qt)
	Total	2.5 ℓ (2.6 US qt , 2.2 Imp qt)
Windscreen washer reservoir		2.5 ℓ (2.6 US qt , 2.2 Imp qt) *6 5.8 ℓ (6.1 US qt , 5.1 Imp qt) *7

* 1 : Including the coolant in the reserve tank and that remaining in the engine.

Reserve tank capacity:

Petrol engine model: 0.5 ℓ (0.13 US gal , 0.11 Imp gal)

* 2 : Diesel models

* 3 : Including the coolant in the expansion tank and that remaining in the engine. Expansion tank capacity:

0.6 ℓ (0.16 US gal , 0.13 Imp gal)

* 4 : Excluding the oil remaining in the engine

* 5 : Petrol engine model

* 6 : Without headlight washer

* 7 : With headlight washer

* 8 : Type-R

Tyres

Size/Pressure	See tyre information label on driver's doorjamb or ask dealer for information.
---------------	--------------------------------------------------------------------------------

Alignment

Toe-in	Front	0.0 mm (0.00 in)
	Rear	in 4.0 mm (0.16 in) in 5.0 mm (0.20 in) *
Camber	Front	0° -0°6' *
	Rear	-1°
Caster	Front	4°14' 4°26' *

* : Type-R

Suspension

Type	Front	Strut
	Rear	Torsion beam

Steering

Type	Rack and pinion, with electrical power assistance
------	---------------------------------------------------

Clutch

Type	Dry, single plate, diaphragm spring
------	-------------------------------------

Brake

Type	Power assisted
Front	Ventilated disc
Rear	Solid disc
Parking	Mechanical

CONTINUED

Specifications

Battery

Capacity	12 V — 36 AH/5 HR * ²
	12 V — 45 AH/20 HR * ²
	12 V — 59 AH/5 HR * ¹
	12 V — 74 AH/20 HR * ¹

* 1 : Diesel models

* 2 : Petrol models

Fuses (Petrol models)

Interior	See page 476 or the fuse label attached to the lower dashboard.
Under-bonnet	See page 475 or the fuse box cover.

Fuses(Diesel models)

Interior	See page 478 or the fuse label attached to the lower dashboard.
Under-bonnet	See page 477 or the fuse box cover.

Lights

Headlights	High beam	12 V — 55 W (H1)
	Low beam	12 V — 55 W (H7) 12 V — 35 W (D2R)* ¹
Front turn signal lights		12 V — 21 W (AMBER)
Front position lights		12 V — 5 W
Side turn signal lights		See note below.
Rear turn signal lights		12 V — 21 W
Stop/tail-lights		12 V — 21/5 W
Back-up lights		12 V — 16 W
Rear fog light		12 V — 21 W
Front fog lights* ²		12 V — 55 W (H11)
Licence plate lights		12 V — 5 W
High-mount brake light		See note below.
Ceiling lights	Front	12 V — 5 W
	Rear	12 V — 8 W
Glove box light		12 V — 2 W
Vanity mirror lights* ²		12 V — 2 W
Luggage area light		12 V — 5 W

* 1 : On vehicles with high voltage discharge type low beam headlights, replacement of a low beam headlight bulb should be performed by your dealer.

* 2 : For some types

NOTE:

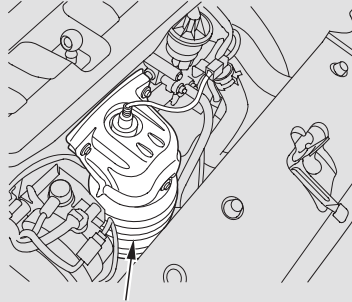
Replacement of the side turn signal light in the outside mirrors and the high-mount brake light should be done by your dealer.

Three Way Catalytic Converter (Petrol models)

The three way catalytic converter contains precious metals that serve as catalysts, promoting chemical reactions to convert the exhaust gasses without affecting the metals. The catalytic converter is referred to as a three-way catalyst, since it acts on HC, CO, and NOx. A replacement unit must be an original Honda part or its equivalent.

The three way catalytic converter must operate at a high temperature for the chemical reactions to take place. It can set on fire any combustible materials that come near it. Park your vehicle away from high grass, dry leaves, or other flammables.

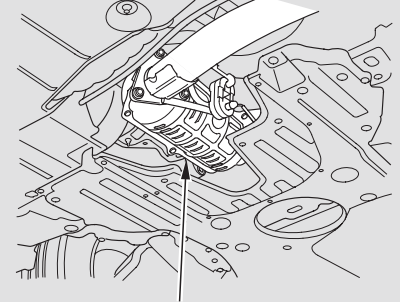
Except Type-R



THREE WAY CATALYTIC CONVERTER

A defective three way catalytic converter contributes to air pollution, and can impair your engine's performance. Follow these guidelines to protect your vehicle's three way catalytic converter.

Type-R

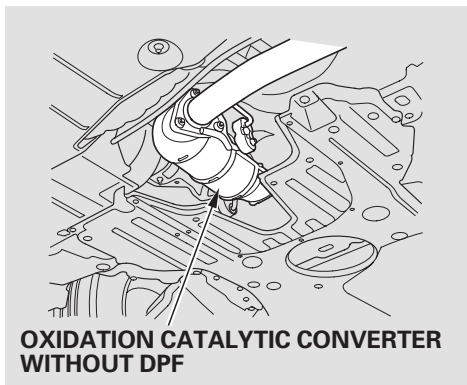


THREE WAY CATALYTIC CONVERTER

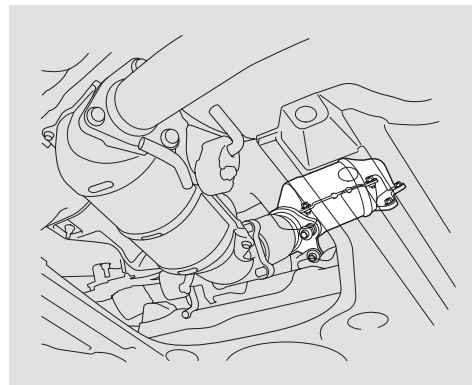
- Always use unleaded petrol. Even a small amount of leaded petrol can contaminate the catalyst metals, making the three way catalytic converter ineffective.
- Keep the engine well maintained.
- Have your vehicle diagnosed and repaired if it is misfiring, backfiring, stalling, or otherwise not running properly.

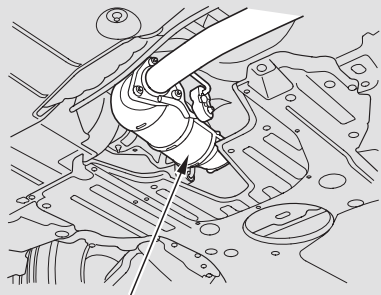
Catalytic Converters (Diesel models)

The catalytic converter contains precious metals that serve as catalysts, promoting chemical reactions to convert the exhaust gasses without affecting the metals. The catalytic converter is equipped with your vehicle to reduce HC, CO, NOx and PM. A replacement unit must be an original Honda part or its equivalent.



- Always use only diesel fuel recommended in this owner's manual (see page 299).





OXIDATION CATALYTIC CONVERTER WITH DPF

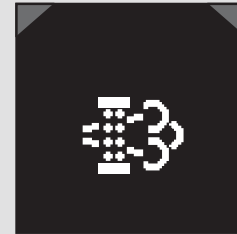
Diesel Particulate Filter (DPF) System (For some types)

Your vehicle is equipped with the diesel particulate filter (DPF) system to remove the particulate matter (PM) from the exhaust gas. The DPF is installed in the catalytic converter.

The PM will be burnt out and removed from the DPF at a periodically high temperature of the catalytic converter while driving. While the PM is burnt, you may notice some changes on the instrument panel and the exhaust gas. You may notice some white smoke in the exhaust gas. The average fuel consumption on the multi-information display will be increased temporarily.

The DPF system requires no regular maintenance. If you drive for long periods at slow speeds, particulate matter (PM) will be accumulated and the regeneration of DPF will be required. The condition of the accumulated PM will vary with the type of diesel fuel. Always use the recommended diesel fuel in this owner's manual (see page 299).

DPF (Regeneration Required)



If you see this symbol or this symbol with a “DPF REGENERATION REQUIRED” message on the multi-information display while the engine is running, it means the diesel particulate filter (DPF) should be regenerated to remove the accumulated particulate matter (PM).

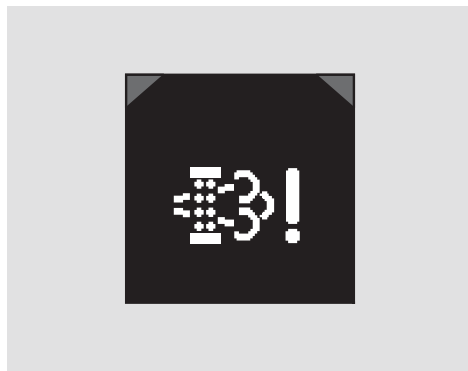
CONTINUED

Catalytic Converters (Diesel models)

To regenerate the DPF, when traffic allows, maintain a vehicle speed of at least 60 km/h (37 mph) and continue to drive until the symbol/message goes out (it may take about 15 minutes, depending on driving conditions). This will increase the exhaust temperature and help to burn and remove the PM from the DPF.

If you ignore this symbol/message and continue driving, the system warning switches to the symbol/message of DPF (check system). If this happens, take your vehicle to a Honda dealer as soon as possible to have the DPF system checked.

DPF (Check System)



If you see this symbol or this symbol with a “CHECK SYSTEM” message on the multi-information display while the engine is running, it means the diesel particulate filter (DPF) is clogged with accumulated particulate matter (PM) and it should be checked, then repaired or replaced. Take your vehicle to a Honda dealer as soon as possible.

If you ignore this symbol/message and continue driving, the DPF and your vehicle’s emission control systems will be seriously damaged.

The catalytic converter and DPF system must operate at a high temperature for the chemical reactions to take place. It can set on fire any combustible materials that come near it. Park your vehicle away from high grass, dry leaves, or other flammables.

A

Accessories and Modifications	308
ACCESSORY (Ignition Key Position)	150
Accessory Power Socket	179
Adding Engine Coolant.....	372, 374
Additives, Engine Oil	368, 370
Airbag (SRS)	12, 27
Air Bleeding.....	421
Air Cleaner Element	380, 381, 383
Air Conditioning System.....	195
Maintenance.....	405
Usage	191, 198
Air Outlets (Vents)	189, 195
Air Pressure, Tyres	411
Aluminium Wheels, Cleaning	425
Antifreeze	372, 374
Anti-lock Brake System (ABS) Indicator.....	78, 339
Operation.....	339
Anti-theft Steering Column Lock.....	149
Appearance Care	423
Ashtray.....	183
Audio System	212

Automatic Heating.....	193
Automatic Lighting Feature Operation.....	141
System Warning	109
Automatic Seat Belt Tensioners	24

B

Battery Charging System Indicator.....	77, 466
Jump Starting	456
Maintenance.....	418
Specifications	492
Before Driving	297
Belts, Seat	10, 22
Beverage Holders.....	178
Bonnet, Opening the	301
Booster Seats	61
Brakes Anti-lock System (ABS)	339
Break-in, New Linings	298
Bulb Replacement	396, 398
Fluid	378
Parking.....	174
System Indicator.....	77, 470

Wear Indicators	338
Braking System.....	338
Break-in, New Vehicle	298
Brightness Control, Instruments	144
Brights, Headlights	140
Bulb Replacement Back-up Lights.....	398
Brake Lights	396, 398
Front Fog Lights.....	399
Front Position Lights	394
Headlights	387
Interior Lights.....	401
Licence Plate Lights.....	398
Rear Fog Light.....	398
Rear Lights.....	396, 398
Specifications	492
Turn Signal Lights.....	395
Bulbs, Halogen.....	387, 399

CONTINUED

C

Capacities Chart..... 490
Carbon Monoxide Hazard 65
Carrying Luggage..... 310
Cassette Player
 Care 237
 Operation..... 235, 265
Catalytic Converter 493, 494
CAUTION, Explanation of ii
CD Care 268
CD Changer 231, 261
CD Changer Error
 Messages..... 234, 264
CD Player 225, 254
CD Player Error Messages .. 233, 263
Ceiling Lights..... 183
Centre Pocket 182
Certification Plate 486
Chains, Tyres 416
Changing a Flat Tyre 434
Changing Oil
 When to..... 357
Charging System Indicator 77, 466
Chassis Number 484, 486
Checklist, Before Driving..... 317

Child Restraint Systems 44
 Lower Anchorages 49
 Tether Anchor Points 58
Child Restraint Systems for EU..... 47
Child Safety 34
 Booster Seats 61
 Child Restraint Systems 44
 Important Safety
 Reminders 34, 39
 Infants 41
 Larger Children 60
 Lower Anchorages 49
 Risks with Airbags..... 35, 38
 Small Children..... 43
 Tethers..... 58
 Where Should a Child Sit? 35
Cigarette Lighter 182
Cleaner Element, Air 380, 381, 383
Cleaning
 Aluminium Wheels..... 425
 Exterior 424
 Interior 427
 Seat Belts..... 429
 Vinyl 428
 Windows 428
Clock 270

Clutch Fluid..... 379
Coat Hook..... 179
Cold Weather, Starting
 in 318, 319, 320
Compact Spare Tyre..... 432
Console Compartment 177
Controls, Instruments and..... 69
Coolant
 Adding..... 372, 374
 Checking..... 304
 Proper Solution 372, 374
 Temperature Gauge 86
Corrosion Protection 430
Cruise Control Indicator 81
Cruise Control Operation 276
Cup Holders..... 178
Customized Settings..... 110

D

DANGER, Explanation of ii
Dashboard 2, 70
Daytime Running Lights..... 141
Dead Battery 456
Default Settings 110, 132

Defrosting the
 Windows 192, 202, 208
 Demister, Rear Window 145
 Diesel Fuel..... 299
 Dimensions..... 487
 Dimming the Headlights 140
 Dipstick
 Engine Oil..... 302
 Directional Signals..... 140
 Disc Brake Wear Indicators..... 338
 Disc Player 225, 254
 Doors
 Locking and Unlocking..... 151
 Power Door Locks..... 151
 Downshifting, Manual
 Transmission..... 322
 Driver and Passenger Safety..... 7
 Driving 315
 Economy 307
 In Bad Weather..... 343
 Driving, i-SHIFT 326
 Dust and Pollen Filter 406

E

Economy, Fuel 307

Electric Power Steering (EPS)
 Indicator 80
 Symbol 106
 Emergencies..... 431
 Battery, Jump Starting 456
 Brake System Indicator 470
 Changing a Flat Tyre 434
 Charging System Indicator 466
 Checking the Fuses..... 471
 Hazard Warning Flashers 145
 Honda TRK 440
 i-SHIFT System Indicator 336
 Jump Starting 456
 Low Oil Pressure Indicator 464
 Malfunction Indicator
 Lamp 467, 468
 Oil Level Indicator 465
 Overheated Engine 460, 462
 Towing 479
 Tyre Sealant Kit..... 440
 Emergency Brake..... 174
 Emergency Flashers 145
 Emergency Towing 479
 Engine
 Coolant Temperature Gauge 86
 If It Won't Start 454

Malfunction Indicator
 Lamp 76, 467, 468
 Oil Level Indicator 103, 465
 Oil Pressure Indicator 77, 464
 Oil, What Kind to Use..... 368, 370
 Overheating..... 460, 462
 Specifications 489
 Starting (Diesel models)..... 320
 Starting (Petrol models with
 M/T) 318
 Starting (Petrol models with
 i-SHIFT) 319
 Engine Coolant 304, 372, 374
 Engine Number 484, 485
 Exhaust Fumes 65
 Expansion Tank..... 305, 374
 Exterior, Cleaning the..... 424

F

Fabric, Cleaning..... 428
 Fan, Interior 191, 201, 207
 Features 187
 Filling the Fuel Tank..... 299

CONTINUED

Index

Filters	
Air Cleaner	380, 381, 383
Dust and Pollen.....	406
Fuel.....	384
Flashers, Hazard Warning.....	145
Flat Tyre, Changing a	434
Floor Mats	427
Fluids	
Brake.....	378
Clutch.....	379
Manual Transmission	377
Windscreen Washers.....	376
Folding Door Mirrors.....	173
Folding Rear Seat	164
Four-way Flashers	145
Front Airbags.....	12, 28
Front Fog Lights.....	143
Front Seat	160
Adjusting.....	160
Airbags.....	12, 27
Heaters.....	166
Fuel.....	298, 299
Cutoff System	306
Diesel	299
Fill Door and Cap.....	299
Filter.....	384

Gauge.....	86
Low Fuel Indicator	83
Octane Requirement	298
Tank, Refueling	299
Fuses, Checking the.....	471

G

Gauges	
Engine Coolant Temperature	86
Fuel.....	86
Speedometer	86
Tachometer	86
Gear Position Indicator	326
Gearshift Lever Positions	
Manual Transmission	322
Glass Cleaning	428
Glove Box	176
Glow Plugs Indicator	77

H

Halogen Headlight Bulbs.....	387
Hands-Free Telephone (HFT)	
System.....	279
Hazard Warning Flashers.....	145

Headlights	
Adjuster	146
Aiming.....	387
Daytime Running Lights	141
High Beam Indicator.....	82
Low Beams, Turning on	140
Reminder Beeper.....	140
Replacing Halogen	
Bulbs	387
Turning on.....	140
Washer.....	137
Head Restraints	162
Heated Mirror	173
Heater, Seat.....	166
Heating, Automatic System.....	193
Heating and Cooling System	
Automatic System.....	195
High Altitude, Starting	
at.....	318, 319, 320
High-Low Beam Switch	140
High-mount Brake Light.....	386
Honda TRK	440
Horn	3, 135
Hydraulic Clutch.....	379

I

Identification Number, Vehicle	486
Ignition Keys.....	148
Switch.....	149
Immobilizer System.....	149
Important Safety Precautions	8
Indicators.....	72, 73, 74, 75
ABS (Anti-lock Brake)	78
Brake (Parking and Brake System)	77, 470
Charging System	77, 466
Cruise Control.....	81
EPS	80
Glow Plugs.....	77
High Beam.....	82
i-SHIFT System.....	79
Key (Immobilizer System)	78
Low Fuel	83
Low Oil Pressure	77, 464
Malfunction Indicator Lamp	467, 468
Oil Level.....	103, 465
SRS	79

System Message.....	79
Turn Signal and Hazard Warning	82
VSA.....	81, 341
VSA Activation.....	81, 341
Indicators, Instrument Panel....	72, 76
Infant Restraint	41
Infant Seats.....	41
Lower Anchorages	49
Tether Anchor Points	58
Inflation, Proper Tyre	411
Inside Mirror	172
Inspection, Tyre	412
Instrument Panel.....	72, 73, 74, 75
Instrument Panel Brightness.....	144
Interior Cleaning.....	427
Interior Lights.....	183
Interface Dial.....	188
Introduction.....	i
i-SHIFT (Automated Manual Transmission) Operation	326
Indicator.....	79, 336
Transmission Fluid.....	377

J

Jacking up the Vehicle	436
Jack, Tyre	435
Jump Starting	456

K

Keys.....	148
-----------	-----

L

Label, Certification	486
Lane Change, Signaling	140
Language Selection	130
Lap/Shoulder Belts	17, 23
Lights Bulb Replacement	385
Indicator.....	72, 73, 74, 75
Position	140
Turn Signal.....	140
Load Limits.....	311
LOCK (Ignition Key Position)	149

CONTINUED

Index

Locks	
Anti-theft Steering Column	149
Fuel Fill Door	299
Glove Box	176
Power Door	151
Tailgate	158
Low Coolant Level.....	304
Low Fuel Indicator	83
Low Oil Pressure Indicator	77, 464
Lower Anchorages	49
Lower Gear, Downshifting to a....	322
Lubricant Specifications	
Chart	490
Luggage Area Cover	167
Luggage Area Light	402
Luggage Hooks.....	313
Luggage, How to Carry.....	311
Luggage, Storing	310
M	
Maintenance.....	353
Owner's Maintenance	
Checks	356
Record.....	363
Safety.....	354

Schedule	355
Malfunction Indicator	
Lamp	467, 468
Manual Transmission.....	322
Manual Transmission Fluid	377
Maximum Allowable Shift	
Speeds	324
Meters, Gauges.....	72, 84
Mirrors, Adjusting	172
Modifying Your Vehicle.....	308
mph to km/h Change Button.....	85
MP3	226, 255
Multi-Information Display	89

N

New Vehicle Break-in	298
Normal Shift Speeds.....	323
NOTICE, Explanation of.....	i
Numbers, Identification.....	484, 486

O

Octane Requirement,	
Petrol.....	298
Odometer.....	93

Odometer, Trip	93
Oil	
Change, When to	355
Checking Engine	301
Level Indicator	103, 465
Pressure Indicator	77, 464
Selecting Proper Viscosity	
Chart	368, 370
Oil Level Indicator.....	103, 465
ON (Ignition Key Position)	150
One-push Turn Signal	140
Outside Mirrors	172
Outside Temperature Indicator	93
Overheating, Engine	460, 462
Owner's Maintenance Checks	356

P

Paddle Shifters.....	328
Paint Touch-up.....	426
Panel Brightness Control	144
Parking	337
Parking Brake	174
Parking Brake and Brake	
System Indicator.....	77, 470

Parking Over Things That	
Burn.....	337
Petrol.....	298
Filling the Fuel Tank.....	299
Filter.....	384
Fuel Economy.....	307
Gauge.....	86
Low Fuel Indicator.....	83
Octane Requirement.....	298
Refueling.....	299
Polishing and Waxing.....	425
Pollen Filter.....	406
Position Lights.....	140
Power Door Locks.....	151
Power Windows.....	168
Pregnancy, Using Seat Belts.....	20
Priming the Fuel System.....	421
Proper Seat Belt Usage.....	17
Protecting Adults and Teens.....	14
Additional Safety Precautions....	20
Advice for Pregnant Women.....	20
Protecting Children.....	34
Protecting Infants.....	41
Protecting Larger Children.....	60
Protecting Small Children.....	43

Using Child Restraint Systems	
with Tethers.....	58
Using Lower Anchorages.....	49

R

Radiator Overheating.....	460, 462
Radio/Disc Sound System.....	212
RDS.....	216, 243
Rear Fog Light.....	142, 143
Rear Lights, Bulb	
Replacement.....	396, 398
Rear Seat, Folding.....	164
Rear View Mirror.....	172
Rear Window Demister.....	145
Reclining the Seat Backs.....	160
Recommended Shift Speeds.....	323
Reminder Indicators.....	72, 73, 74, 75
Remote Audio Controls.....	269
Remote Transmitter.....	154
Replacement Information	
Air Cleaner	
Element.....	380, 381, 383
Dust and Pollen Filter.....	406
Fuel Filter.....	384
Fuses.....	471

Schedule.....	355
Spark Plugs.....	489
Tyres.....	413
Wiper Blades.....	408
Replacing Seat Belts After a	
Crash.....	25
Reserve Tank, Engine	
Coolant.....	304, 372
Restraint, Child.....	34
Reverse lockout.....	325
Roof Rack.....	312
Rotation, Tyre.....	413

S

Safety Belts.....	10, 22
Safety Features.....	9
Airbags.....	12
Seat Belts.....	10
Safety Labels, Location of.....	66
Safety Messages.....	ii

CONTINUED

- Seat Belts 10, 22
 Additional Information..... 22
 Automatic Seat Belt
 Tensioners..... 24
 Cleaning 429
 Lap/Shoulder Belt..... 17, 23
 Maintenance..... 25
 Reminder Indicator and
 Beeper..... 22, 76
 System Components..... 22
 Use During Pregnancy..... 20
- Seat Heaters 166
- Seats, Adjusting the..... 160
- Security System 273
- Service Intervals 355
- Service Station Procedures 299
- Setting the Clock 270
- Side Airbags 12, 29
 How Your Side Airbags Work... 29
 Risks to Children 38
- Side Curtain Airbags 12, 30
- Signaling Turns..... 140
- Snow Tyres..... 415
- Solvent-type Cleaners..... 424
- Sound System..... 212
- Spare Tyre 432
 Compact..... 432
 Inflating..... 432
 Specifications 491
- Spark Plugs..... 489
- Specifications Charts..... 487
- Speed Alarm 112
- Speedometer 86
- Speed-sensitive Volume
 Compensation (SVC) 224, 253
- Spotlights 183
- SRS, Additional Information..... 27
 Additional Safety Precautions... 32
 How the SRS Indicator
 Works..... 30
 How Your Front Airbags
 Work..... 28
 SRS Components 27
 SRS Service..... 32
- SRS Indicator..... 30, 79
- START 150
- Start Button..... 318, 319, 320
- Starting the Engine 318, 319, 320
 In Cold Weather at High
 Altitude 318, 319, 320
 With a Dead Battery 456
- Steam Coming from
 Engine 460, 462
- Steering Wheel
 Adjustments 147
 Anti-theft Column Lock 149
- Stereo Sound System 212
- Storing Your Vehicle 420
- Sunshades..... 170
- Super Locking 153
- Supplemental Restraint
 System..... 12, 27
 Servicing 32
 SRS Indicator..... 30, 79
 System Components..... 27
 System Message Indicator 79
 System Warning Symbols,
 Multi-Information Display 94

T

- Tachometer 86
- Tailgate 158
 Open Monitor..... 99
 Opening..... 158
- Tail-lights, Changing Bulbs
 in 396, 398

<p>Taking Care of the Unexpected .. 431</p> <p>Tape Player 235, 265</p> <p>Technical Descriptions</p> <p style="padding-left: 20px;">Catalytic Converter 493, 494</p> <p>Temperature Gauge 86</p> <p>Temperature, Inside Sensor..... 211</p> <p>Tether Anchor Points..... 58</p> <p>Time, Setting the 270</p> <p>Tools, Tyre Changing 434</p> <p>Towing</p> <p style="padding-left: 20px;">A Trailer..... 345</p> <p style="padding-left: 20px;">Emergency Wrecker..... 479</p> <p style="padding-left: 20px;">Equipment and Accessories</p> <p style="padding-left: 40px;">Weight Limit 345, 346</p> <p>Towbar Mounting Points..... 487</p> <p>Trailer Loading 345, 346</p> <p>Trailer Towing Tips..... 349</p> <p>Transmission</p> <p style="padding-left: 20px;">Fluid Selection..... 377</p> <p style="padding-left: 20px;">Identification Number..... 484, 485</p> <p style="padding-left: 20px;">Shifting the Manual..... 322</p> <p style="padding-left: 20px;">Shifting the i-SHIFT 326</p> <p>Treadwear 412</p> <p>Trip Meter 93</p> <p>Turn Signals 140</p> <p>Tyre Chains..... 416</p>	<p>Tyre, How to Change a Flat 434</p> <p>Tyres 411</p> <p style="padding-left: 20px;">Air Pressure 411</p> <p style="padding-left: 20px;">Chains 416</p> <p style="padding-left: 20px;">Checking Wear 412</p> <p style="padding-left: 20px;">Compact Spare..... 432</p> <p style="padding-left: 20px;">Inflation 411</p> <p style="padding-left: 20px;">Inspection 412</p> <p style="padding-left: 20px;">Maintenance..... 413</p> <p style="padding-left: 20px;">Replacing 413</p> <p style="padding-left: 20px;">Rotating..... 413</p> <p style="padding-left: 20px;">Snow 415</p> <p style="padding-left: 20px;">Specifications 414, 491</p> <p style="padding-left: 20px;">TRK (Temporary Repair Kit) .. 440</p>	<p>Vehicle Capacity Load 311</p> <p>Vehicle Dimensions..... 487</p> <p>Vehicle Identification Number..... 486</p> <p>Vehicle Stability Assist (VSA)</p> <p style="padding-left: 20px;">System..... 341</p> <p>Vehicle Storage 420</p> <p>Ventilation 193, 195</p> <p>VIN 486</p> <p>Vinyl Cleaning 428</p> <p>Viscosity, Oil 368, 370</p>
<div style="border: 1px solid black; width: 100%; height: 20px; margin: 0 auto;"></div> <p style="margin: 0 auto;">U</p>		
<div style="border: 1px solid black; width: 100%; height: 20px; margin: 0 auto;"></div> <p style="margin: 0 auto;">V</p>		
<p style="padding-left: 20px;">Ultrasonic Sensor 275</p> <p>Underside, Cleaning..... 430</p> <p>Unexpected, Taking Care of the 431</p> <p>Upholstery Cleaning..... 427</p>		
<div style="border: 1px solid black; width: 100%; height: 20px; margin: 0 auto;"></div> <p style="margin: 0 auto;">W</p>		
<p>WARNING, Explanation of ii</p> <p>Warning Labels, Location of 66</p> <p>Washer, Windscreen</p> <p style="padding-left: 20px;">Checking the Fluid Level 376</p> <p style="padding-left: 20px;">Operation 137</p> <p>Washing 424</p> <p>Water Draining 109, 384</p> <p>Waxing and Polishing 425</p>		
<p><i>CONTINUED</i></p>		

Wheels	
Adjusting the Steering	147
Alignment and Balance	413
Cleaning Aluminium Alloys.....	425
Compact Spare	432
Nut Wrench.....	436
Windows	
Auto Reverse	169
Cleaning	428
Operating the Power	168
Rear, Demister	145
Windscreen	
Automatic Intermittent	
Wipers	137
Cleaning	137, 428
Washers	137
Winter Tyres	415
Wiper Blades	
Changing.....	408
Operation	137
WMA	226, 255
Worn Tyres	412
Wrecker, Emergency Towing.....	479