

# 1991 Prelude Online Reference Owner's Manual

Use these links (and links throughout this manual) to navigate through this reference.  
For a printed owner's manual, click on authorized manuals or go to [www.helminc.com](http://www.helminc.com).

## Contents

---

### **Owner's Identification Form**

<b>Features &amp; Safety</b> .....	<b>2</b>
What you should know before driving your car.	
<b>Starting &amp; Driving</b> .....	<b>57</b>
What gas to use, how to change gears, etc.	
<b>Maintenance</b> .....	<b>78</b>
The Required Maintenance Schedule and some items you can service.	
<b>Emergency Service</b> .....	<b>119</b>
Changing a flat, jump starting, towing.	
<b>Specifications</b> .....	<b>129</b>
Dimensions, weights and capacities.	
<b>Consumer Information</b> .....	<b>131</b>
Reporting Safety Detects, warranty service, vehicle identification numbers, etc.	
<b>Index</b> .....	<b>I</b>

### **Gas Station Information**

This Owner's Manual should be considered a permanent part of the vehicle, and must remain with the vehicle at time of resale.

<b>OWNER'S I.D.</b>		
OWNER _____		
ADDRESS _____		
CITY _____	STATE _____	ZIP CODE _____
V.I.N. _____		
DELIVERY DATE _____		
(Date sold to original retail purchaser)		
DEALER NAME _____		DEALER NO. _____
ADDRESS _____		
CITY _____	STATE _____	ZIP CODE _____
OWNER'S SIGNATURE _____		
DEALER'S SIGNATURE _____		

The information and specifications included in this publication were in effect at the time of approval for printing. Honda Motor Co., Ltd. reserves the right however, to discontinue or change specifications or design at any time without notice and without incurring any obligation whatever.

# Introduction

---

This manual contains important information about the safe operation and maintenance of your car.

We urge you to read it carefully, become familiar with the controls it describes, and follow its recommendations, to help make your driving trouble-free and enjoyable.

Statements or labels on the product preceded by the following words are of special significance:

**▲ DANGER** indicates severe personal injury or death will result if instructions are not followed.

**▲ WARNING** indicates a strong possibility of severe personal injury or death if instructions are not followed.

**CAUTION:** means hazards or unsafe practices which could cause minor personal injury or product or property damage.

**NOTE:** gives helpful information.

## Break-in Period

During the first 600 miles (1,000 km) of driving, avoid full throttle starts and cruising for extended periods at a constant speed.

### NOTE:

- This break-in procedure also applies to exchanged or overhauled engines.
- During and after the break-in period, drive the car at moderate speeds until the engine is fully warmed up.

During the first 200 miles (300 km), try to avoid severe braking. Brake misuse during this period will reduce future braking efficiency.

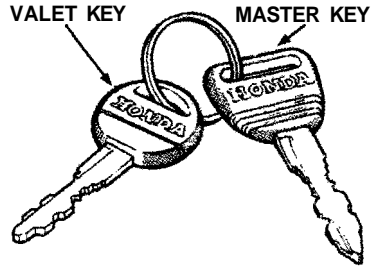
Remember, your Honda Automobile dealer knows your car best, and should be consulted for service assistance and advice.

## Keys

Your car is supplied with a master key that fits the ignition and all locks, and a valet key that fits the ignition and doors but not the trunk, rear seat trunk access or glove box.

The valet key is provided for times when you must leave the key with a parking attendant or repair person, but still want to keep valuables safely locked-up.

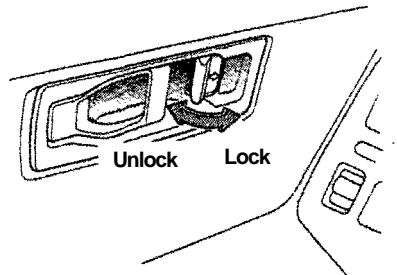
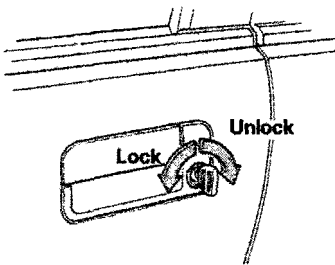
Write down the numbers stamped on both keys and keep the information in your wallet or purse in case you ever need to have duplicates made. Both the master and valet keys are double-edged, so you can insert them in the locks with either side up.



## Door Locks

You can lock the doors by pushing the tabs forward.

The doors must be unlocked before you can open them. The passenger door can be locked when open, and will stay locked when you close it; the driver's door cannot be locked when open unless you hold the door handle open. Both doors can be locked and unlocked from the outside with the key.



(cont'd)

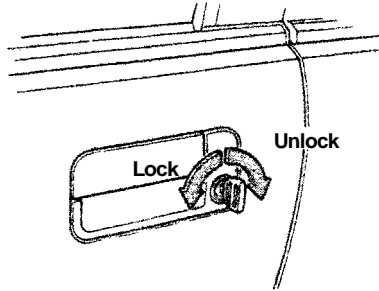
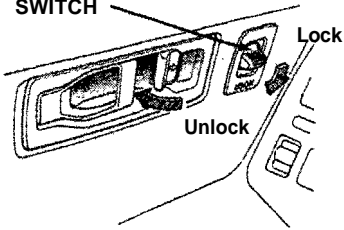
# Keys and Locks (cont'd)

## Power Door Locks (Si with 4WS or Anti-lock Brake System)

Both doors can be locked or unlocked simultaneously from the inside using the master door lock switch.

In addition, the passenger door will lock automatically when the lock tab on the driver's door is pushed forward or the driver's door is locked with the key.

MASTER DOOR LOCK SWITCH

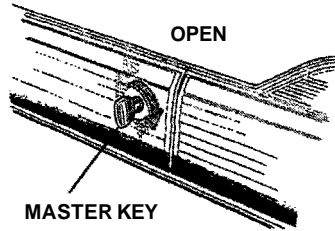
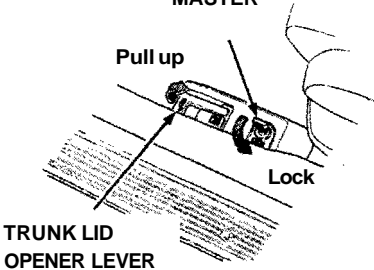


## Trunk

The trunk lid can be opened by pulling up the lever at the outside of the driver's seat.

To open the trunk lid from the outside, put the master key in the lock and turn clockwise. The trunk lid opener lever is lockable with the master key.

MASTER

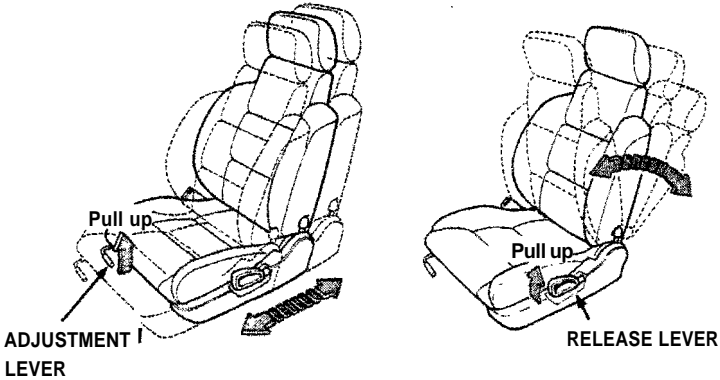


### ▲ WARNING

- Keep the trunk lid closed while driving to keep poisonous carbon monoxide exhaust fumes out of the interior; prolonged exposure can cause unconsciousness that may lead to death.
- Weight limits shown on the label on the edge of the driver's door must be observed. The total weight of passengers and cargo must not exceed the total weight limit on the label.

## Front Seat

Adjust the seat position by pulling up on the adjustment lever under the front edge of the seat cushion, and sliding the seat to the desired position. Then release the lever and make sure the seat is locked in position by moving it back and forth.

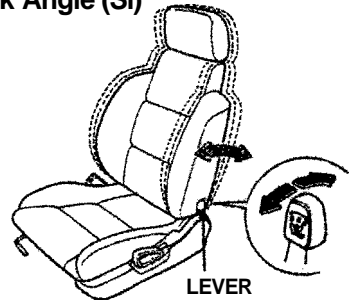


The angle of the seat-back can be changed by pulling up on the lever at the outside edge of the seat and leaning forward or back. Release the lever and let the seat lock into place when it reaches the desired angle.

Seat belts are most effective when the driver and passenger are sitting up straight and well back in each seat.

## Minor Adjustment of Driver's Seat-back Angle (Si)

For minor adjustment of the driver's seat-back angle, move the lever at the lower left side of the seat-back forward or backward.



### ▲ WARNING

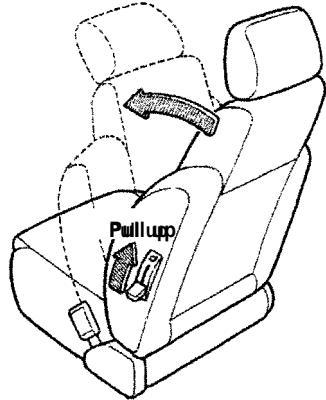
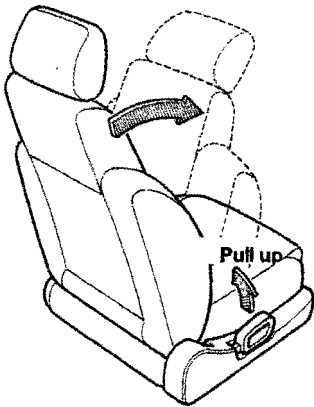
- Do not adjust the driver's seat while the car is moving; the seat could move suddenly, causing loss of vehicle control.
- To reduce the risk of sliding under the seat belts in a collision, the seat-backs should be reclined no more than is necessary for comfort.

(cont'd)

# Seats (cont'd)

## To Get In/Out of Rear Seat

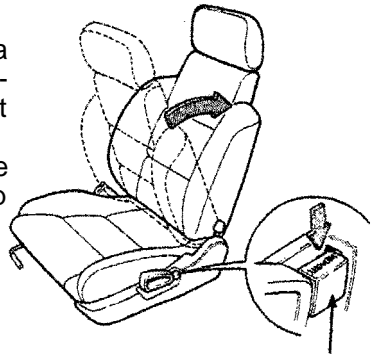
For easier access to or from the rear seat, pull up the angle adjustment lever on each front seat or the lever on the inside edge of the passenger seat-back to swing the seat-back forward.



## Seat-back Angle Memory (Si)

The driver's seat is equipped with a "memory" button to allow the seat-back to return to its previously set angle.

Push the "memory" button before pulling the angle adjustment lever up for rear seat access.



MEMORY BUTTON

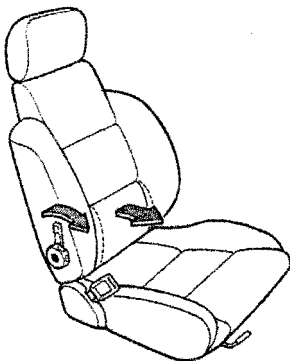
### ▲ WARNING

- Store any luggage or cargo in the trunk. If you are carrying more items than will fit in the trunk, use the floor space between the front and rear seats.
- Do not store any items on the shelf behind the rear seat; they may become dangerous projectiles in a collision.
- Weight limits shown on the label on the edge of the driver's door must be observed. The total weight of passengers and cargo must not exceed the total weight limit on the label.

---

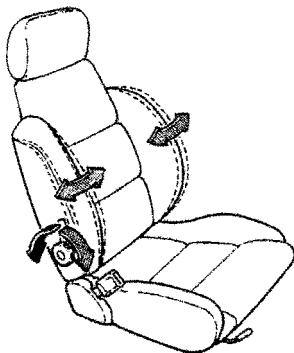
### Driver's Lumbar Support (Si)

Support of the lower back can be adjusted by moving the lever on the inner side of the seat-back to give more or less support.



### Driver's Side Supports (Si)

Seat-back side support can be adjusted wider or narrower by turning the knob on the inner side of the seat-back.



#### **▲ WARNING**

Do not try to adjust lumbar or side supports while driving. Make the adjustment while sitting in your normal driving position before driving away.

(cont'd)



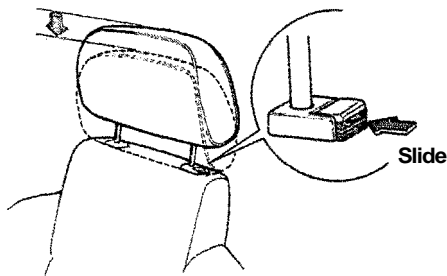
## Head Restraints

The head restraints are designed to help reduce injuries due to whiplash. They are located at the top of each front seat-back and have several height positions. They can be adjusted by pulling up to the recommended position. To lower them, slide the button next to the restraint's height bar, while pushing the restraint down.

Adjust so the top of the restraint is approximately level with the tops of your ears.

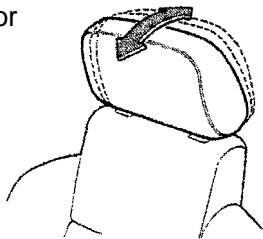
If a head restraint must be removed (for cleaning, fabric repair, etc.) pull the restraint up to its highest position, then slide the button while pulling the restraint out.

To reinstall, reverse the above procedure.



## Head Restraint Angle (Si)

The angle of the head restraint can be adjusted by pulling it forward or pushing it back.



### **▲ WARNING**

- Do not drive the car with head restraints removed.
- Do not try to adjust head restraints while driving.

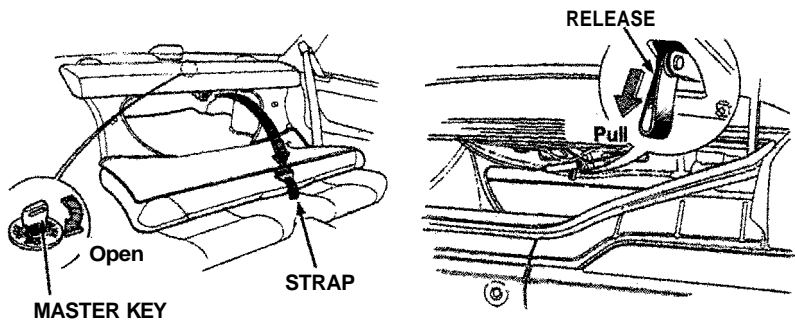
## Trunk Access from Rear Seat

The rear seat-back can be released by turning the lock on the rear shelf with the master key and pulling down with the strap at the top of the seat-back. This allows passenger access to the trunk and makes it possible to carry long objects inside the car.

The rear seat-back can also be released from inside the trunk by pulling the release.

### ▲ WARNING

- Passengers or pets must not sit on the folded portion of the rear seat.
- Make sure any luggage or cargo within the trunk, or extending through the rear seat trunk access is secured.
- Make sure the seat-back latches engage securely when the seat-back is returned to its normal position.



When closing the rear seat trunk access, push the seat-back firmly into place, then pull on the strap to make sure it is secure.

### CAUTION:

**Make sure both rear shoulder belts are positioned in front of the rear seat-backs whenever the seat-backs are in their upright position.**

# Seat Belts

---

Your Honda is provided with seat belts to minimize the chance of injury to yourself and your passengers in a sudden stop or accident. For precautions on using seat belts for children, babies and pregnant women, see pages 16 through 18.

Seat belts are most effective when the driver and passengers are sitting up straight and well back in the seat.

## **▲ WARNING**

**In the event of a collision, occupants not wearing seat belts could be seriously or fatally injured. Make sure you and all your passengers ALWAYS put on the seat belts before driving away.**

## **CAUTION:**

**Be careful the seat belts are not damaged by catching or entangling in the door or seat mechanism.**

## **Wearing the Front Seat Belts**

The automatic ("passive") lap/shoulder belt system with emergency locking retractors are designed to lock only during a sudden stop or impact. Otherwise, they allow you some freedom of movement in the seat.

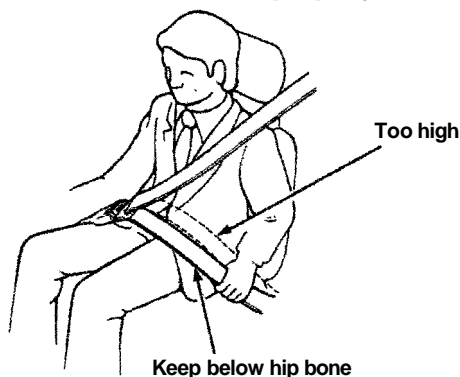
## **NOTE:**

The motion-sensing lock mechanisms for the front belts are located in the doors, therefore, if you open the door too quickly, the belt may lock and the door cannot be opened further. If this happens, close the door and open it again more slowly.

- Enter the car and close the door completely.  
If a door is not completely closed, the warning lights in the ceiling and in the instrument panel will come on and the beeper will sound when the ignition switch is turned on (see page 14).
- The driver's seat should be moved to a comfortable distance from the steering wheel.
- Sit straight up and well back in the seat.
- The seat belt should fit snugly against your body. The shoulder portion of the belt should go over your shoulder and across your body to evenly distribute the belt's restraining force.
- Check that the lap portion of the belt is positioned low on your hipbone and below your abdomen. This way, if the car is involved in an accident, you will be less likely to slide under the seat belts.
- If the belt is too near your neck and throat move toward the center of the seat.

**▲ WARNING**

Never drive the car with the door ajar. The doors must be closed completely for the seat belts to function properly.

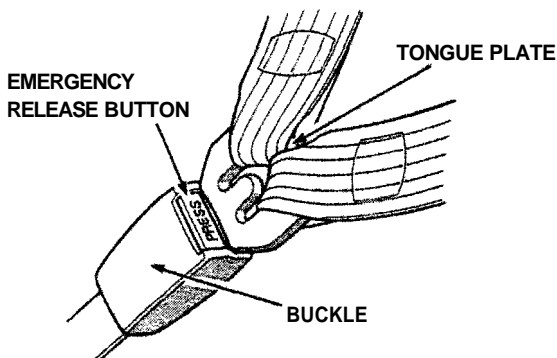


**▲ WARNING**

- Avoid placing the lap belt across your abdomen. In the event of a collision, the pressure of the belt on the abdomen may increase the extent of injury.
- Do not wear the shoulder portion of the belt under your arm or out of position. Such use could increase the chance and amount of injury in an accident.
- Never use one belt for more than one person, child or adult.
- Comfort clips sold on the open market are not recommended since they could impair the function and safety of the belts.

### Emergency Belt Release

The front belts should remain permanently latched. However, an emergency release button is provided as shown.



(cont'd)

# Seat Belts (cont'd)

---

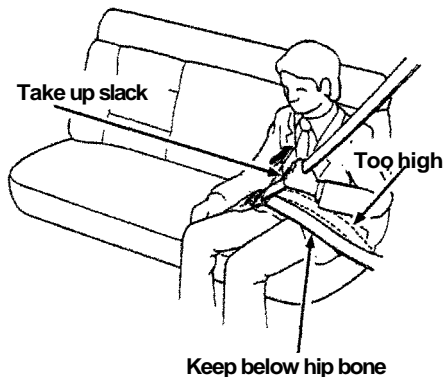
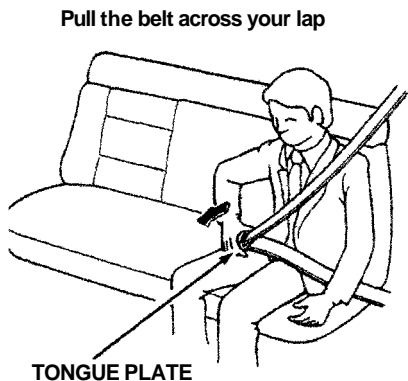
## Buckling the Rear Lap/Shoulder Belts

The rear seat belts are one-piece combination lap/shoulder belts with emergency locking retractors designed to lock only during a sudden stop or impact. Otherwise, they allow you some freedom of movement in the seat.

### NOTE:

The emergency locking system of the rear seat belts will also be activated if you pull the belt too fast. If this happens, release the belt slightly then pull it out more slowly.

1. Take hold of the tongue plate and pull the belt across your lap. Be sure the belt is not twisted or caught on anything.



- 
2. Push the tongue plate into the buckle until it clicks locked. The seat belt should fit snugly against your body. The shoulder portion of the belt should go over your shoulder and across your body to evenly distribute the belt's restraining force. Check that the lap portion of the belt is positioned low on your hipbone and below your abdomen. This way, if the car is involved in an accident, you will be less likely to slide under the seat belts. If the belt is too near your neck and throat, move toward the center of the seat.

**⚠️ WARNING**

**Avoid placing the lap belt across your abdomen. In the event of a collision, the pressure of the belt on the abdomen may increase the extent of injury.**

3. To release the seat belt, push the **"PRESS"** button in the buckle; the belt should retract automatically when released. If the belt does not fully retract, pull it out and check for kinks or twists.

**CAUTION:**

**Make sure both rear shoulder belts are positioned in front of the rear seat-backs whenever the seat-backs are in their upright position.**

**⚠️ WARNING**

- **Do not wear the shoulder portion of the belt under your arm or, out of position. Such use could increase the chance and amount of injury in an accident.**
- **Never use one belt for more than one person, child or adult.**
- **Comfort clips sold on the open market are not recommended since they could impair the function and safety of the belts.**

(cont'd)

# Seat Belts (cont'd)

## Front Seat Belt Warning Light and Warning Beeper

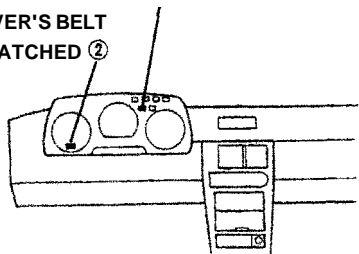
There are four warning lights in the car. Two of them are in the instrument panel and the other two lights are in the ceiling behind the rearview mirror. Each warning light will go on for about two seconds, when the ignition switch is turned on.

PASSENGER'S BELT UNLATCHED ④

DRIVER'S BELT UNLATCHED ③

EITHER DOOR OPEN ①

DRIVER'S BELT  
UNLATCHED ②



WARNING LIGHT ①



WARNING LIGHT ②③④



---

## Warning Light Indicators



### Either Door Open

The warning light in the instrument panel will come on when the ignition is switched on. The beeper will also sound for approximately six seconds. Confirm which door is open and close the door completely, the light will go out.

If either door is opened while the car is being driven, the beeper and all four warning lights will come on and stay on. If this happens, pull off the highway, stop the car immediately and close whichever door is open. The warning lights and beeper should go off.



### Driver's Belt Unlatched

The warning lights in the ceiling and in the instrument panel will come on and stay on if the driver's belt is not latched. The beeper will sound for approximately six seconds when the ignition is turned on. Relatch the belt; the light should go off.



### Front Passenger's Belt Unlatched

The warning light in the ceiling will come on and stay on if the front passenger's seat belt is not securely latched, the beeper sound for approximately six seconds. Relatch the belt; the light should go off.

### **▲ WARNING**

**If the lights and beeper do not function at all or if they come on even with the belts latched and doors fully closed, it indicates a malfunction in the seat belt system. In the event of a collision, severe personal injury could result. The system should be checked immediately by an authorized Honda dealer.**

(cont'd)



# Seat Belts (cont'd)

---

## Child Restraint

Children riding in the car should be restrained to minimize the risk of injury in an accident, sudden stop or sudden maneuver.

According to accident statistics provided to the National Highway Traffic Safety Administration (NHTSA), children are safer when properly restrained in the rear seating positions than in the front seat.

For smaller children, we strongly recommend the use of a commercially available child restraint system that meets the Federal Motor Vehicle Safety Standard (FMVSS) because it offers the most protection against injury. All states now have laws which require that small children must be seated in a child passenger seat restraint system. Check local laws.

Before buying a particular child restraint system, make sure it fits your car seat and seat belts, and fits your child. Follow the child seat manufacturer's instructions when installing the child seat.

Children who have outgrown the child restraint system should use one of the seat belts.

- Make sure the belt is snug against the child's body with the shoulder portion going over the shoulder and across the body to evenly distribute the belt's restraining force.
- Check that the lap portion of the belt is positioned low on the child's hipbone and below the abdomen.  
This way if the car is involved in an accident, the child will be less likely to slide under the seat belts.
- If the belt is too close to the child's neck or throat, you may want to consider putting the child in an automobile booster seat that meets the Federal Motor Vehicle Safety Standard (FMVSS).

### **▲ WARNING**

- **Children should never ride unrestrained in an automobile.**
- **Never use an infant carrier or child safety seat that "hooks" over a seat-back; it may not provide adequate security in an accident.**
- **Never allow a child to be held in a person's arms while they are in a moving vehicle. Holding a child in a moving vehicle does not provide the child with any means of protection during an accident, even if the person holding the child is wearing a seat belt.**

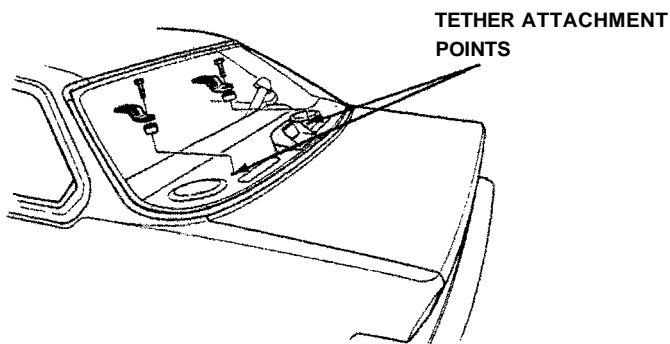
---

## Installation of Child Seat

All child restraint systems are designed to be secured by lap belts or the lap belt portion of a lap-shoulder belt. Children could be endangered in a crash, if their child restraints are not properly secured. Follow the child seat manufacturer's instructions when installing the seat.

Your Honda automobile is equipped with attachment points specifically for a rear seat mounted child restraint system which uses a top tether.

The tether attachment points are located on the rear tray, just behind the rear seat-back.



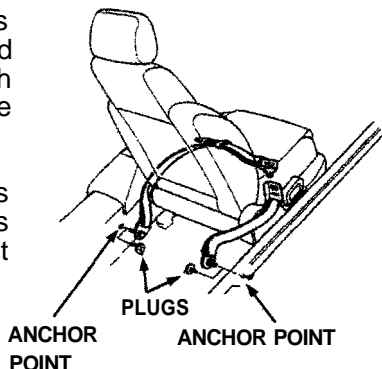
The automatic lap/shoulder restraint system at the front passenger seat cannot be used to secure a child restraint system. Instead, an optional lap belt must be installed specifically for securing a child restraint system. Two anchor points have been provided behind the front passenger seat for installation. The optional lap belt is available from your Honda dealer.

(cont'd)

## Seat Belts (cont'd)

### To Install A Child Seat

1. Remove the anchor point plugs with a coin or a screwdriver and install the optional lap belt with the fasteners that came with the belt.
2. Once the optional lap belt is installed, follow the instructions that came with the child restraint system for proper attachment.



#### **▲ WARNING**

- Do not use the automatic lap/shoulder belt to secure the child seat. It will not give enough protection to the child seat and the child on it.
- The optional lap belt is for a child seat only. Do not use it for any other purpose.
- When the child restraint system is not in use, remove it from the car or secure it with the seat belt to keep it from becoming a projectile in the event of an accident.

#### **NOTE:**

- See your Honda dealer for installation of the optional lap belt or the child restraint system.
- When not in use, make sure the optional lap belt does not get caught in the passenger's door or seat mechanism.

### **Pregnant Women**

A pregnant woman should use either the front or rear lap/shoulder belt to help lessen the chance of injury and/or the amount of injury in an accident.

#### **▲ WARNING**

It is desirable that a pregnant woman ask her doctor at each medical check-up if she can drive, and also ask about the most appropriate way of wearing the lap/shoulder belt.

---

## Inspection

All parts of the seat belts, including the belt fabric, should be regularly inspected for fraying, loosening, wear and other damage. Keep the belts in good condition at all times to reduce the chance of being injured in an accident, and to minimize any injuries that do occur. Make sure the buckles, retractors, tongue plates, guides and anchors all work properly.

Don't let anything get inside the buckle or the retractor; it could cause latch or retractor failure.

The components of the front automatic lap/shoulder belts are contained in the doors. If the doors are damaged in an accident, have the dealer check the restraint system's function. The automatic lap/shoulder belts may not function properly if the door is not completely repaired.

## Cleaning

The belts should be always kept clean and dry; wet or damp belts can cause rewinding problems. The front seat belts are coated for resistance to water and stains. To clean the belts, pull them all the way out of their retractors and use warm water; then let them air-dry fully extended, in the shade, with the car windows open. Do not scrub or use detergents to clean the seat belts.

### **▲ WARNING**

- **Never bleach, dye or clean the belts with chemical solvents; it will weaken the fabric.**
- **Do not remove the seat belts from the car to wash them.**

## Replacement

Replace the seat belt if:

1. The belting is cut, punctured, burned, etc.
2. The buckle or retractor does not work properly.
3. It was being worn at the time of a collision (also check for deformation damage at all seat belt anchor points).
4. Its condition is questionable.

## **Anti-lock Brake System (Optional on Si)**

---

Anti-lock brake system helps to maintain the road holding and tractability of your car during severe braking, and under slippery road conditions. The Anti-lock brake system provides assistance to help prevent the wheels from locking (thus reducing the chance of skidding) to ensure controllable deceleration. When sudden braking might otherwise lock one or more wheels, the Anti-lock brake system temporarily reduces the braking pressure to the wheel or wheels about to lock to ensure continued braking efficiency.

When the Anti-lock brake system is regulating the braking pressure, the brake pedal pulsates slightly to make the driver aware that the system is compensating for critical braking conditions. The pulsating brake pedal can be an indication of hazardous road conditions, and a reminder for you to take extra care. Under such conditions, you should continue braking hard without pumping the brake.

### **▲ WARNING**

- **Don't mix different diameter tires; it will confuse the Anti-lock brake system computer which monitors the road speed of each wheel. For example, if one or more tires are larger than the others, the computer will think they are rolling more slowly (as if they are about to lock-up) and reduce brake pressure to those wheels.**
- **On loose or uneven surfaces (gravel, ruts etc.) where all four wheels lose traction intermittently, the Anti-lock brake system may require a longer stopping distance than an equivalent car with a conventional braking system.**
- **The Anti-lock brake system cannot make up for extreme road conditions or driver misjudgement. It is still the driver's responsibility to drive at a suitable speed and provide a margin of safety for the road, weather and traffic conditions at hand.**

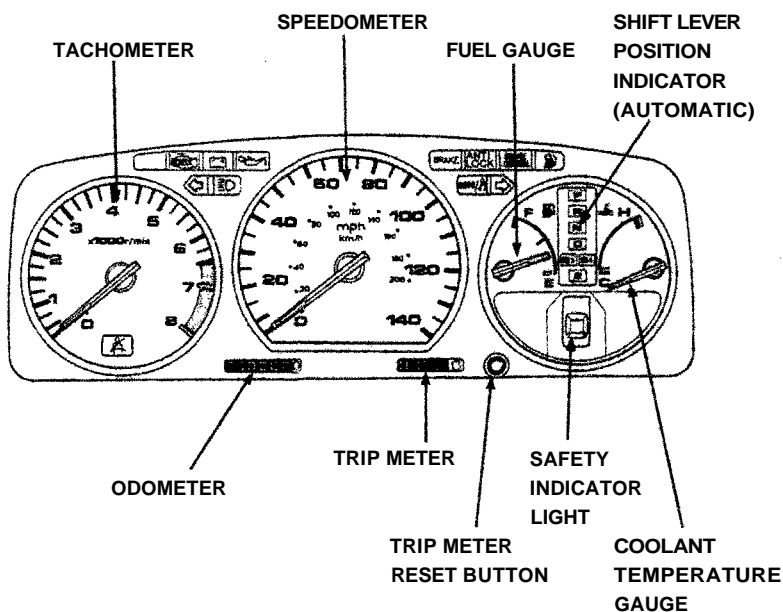
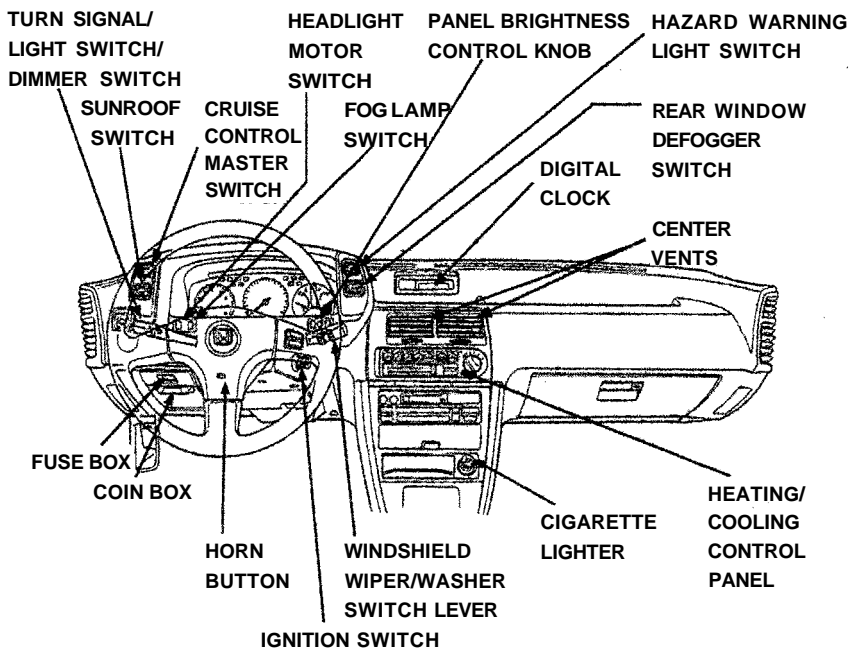
### **CAUTION:**

**Be careful not to damage the wiring or the speed sensors at the back of each wheel when removing mud or snow from the wheel housings.**

### **NOTE:**

You may hear a sound like a small motor running, coming from the engine while driving or after the Anti-lock brake system is applied. This indicates the Anti-lock brake pump is in service and the system is working properly.

# Instrument Panel



# Gauges

---

## Speedometer

The speed is indicated in miles per hour (outside scale) and kilometers per hour (inside scale).

## Odometer

The numbers on the odometer indicate miles.

The odometer registers total distance traveled, and serves as your guide for determining when periodic maintenance is due. Federal law makes it illegal to alter the odometer of any motor vehicle with the intent to change the number of miles indicated,

## Trip Meter

The numbers on the trip meter indicate miles.

The trip meter can be returned to zero by pushing in the reset button. Use it for checking fuel consumption or distance traveled per trip.

## Tachometer

The tachometer indicates engine speed in revolutions per minute.

The beginning of the RED ZONE indicates the maximum allowable engine R.P.M. Do not run the engine with the tachometer indicator needle in the RED ZONE.

## Fuel Gauge

FUEL TANK CAPACITY: 60 l (15.9 US gal, 13.2 Imp gal)

As a convenience, the gauge continues to show the same fuel level as when the ignition was last on. After refueling, the gauge will slowly change to the new fuel level when the ignition is switched on. When the needle first indicates E (empty), you have a usable reserve left in the tank of about:

4 l (1.1 US gal, 0.9 Imp gal)

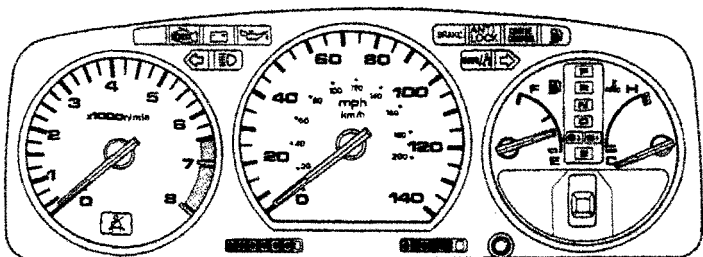
## Coolant Temperature Gauge

**CAUTION:**

The needle should stay within the white range. If the needle reaches the red line at "H" (Hot), pull safely off the road, stop the engine and check the coolant level in the reserve tank on the passenger's side of the radiator under the hood.

### **▲ WARNING**

Do not remove the radiator cap when the engine is hot. The coolant is under pressure and may blow out and scald you.



## Shift Lever Position Indicator (Automatic Transmission only)

A lighted indicator between the fuel and coolant temperature gauges shows which gear you have selected.

### NOTE:

The S<sub>3</sub> indicator light in the instrument panel also serves a second function. If the light flashes while driving (in any gear range) it indicates a possible malfunction in the transmission; avoid rapid acceleration and have the transmission checked by an authorized Honda dealer as soon as possible.



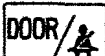
## Turn Signal/Hazard Warning Indicator Lights

When the turn signal lever is pushed for left or right turns, the appropriate green indicator arrow on the instrument panel will blink along with the signal. Pushing the hazard warning switch will make all turn signals and both arrows blink (see page 35).



## Headlight High Beam Indicator Light

This blue indicator light will go on whenever the high beams are switched on (see page 33).

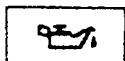
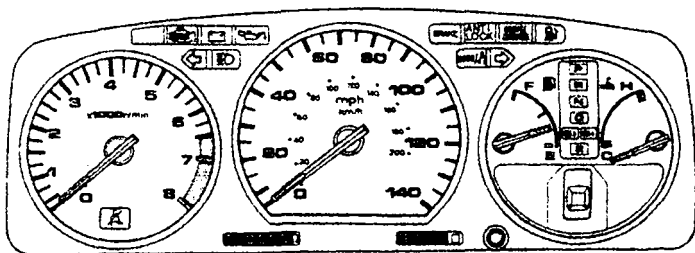


## Seat Belt Warning Light

The seat belt warning light comes on when the ignition switch is turned on. If the front seat belts are fastened, it goes off in stays on six seconds. Otherwise, it stays on (see page 15).

(cont'd)





## Oil Pressure Warning Light

A severe fluctuation in engine oil pressure will cause this light to flash on and off. You should stop as soon as possible, check the oil level, and add oil if necessary.

The oil pressure warning light will come on, and remain on, if there is insufficient oil pressure or when the ignition switch is turned on with the engine not running. If the light should come on while driving, get the car off the road as soon as you can, turn the engine off and check the engine oil level (see page 85 ).

Even if the oil level is correct, the engine should be checked by a Honda dealer before the car is driven again.

### NOTE:

The oil pressure warning light will only light as a result of low oil pressure. It is not directly an oil level indicator.

### CAUTION:

Running the engine while the oil pressure warning light is on constantly may cause immediate and severe engine damage.



## Cruise Control Indicator Light

When the cruise control system is on, this indicator light is on (see pages 37 and 38 ).



## Fuel Reserve Warning Light

If the warning light glows, it means you should refuel, because the tank contains less than:

10 l (2.6 US gal, 2.2 Imp gal)



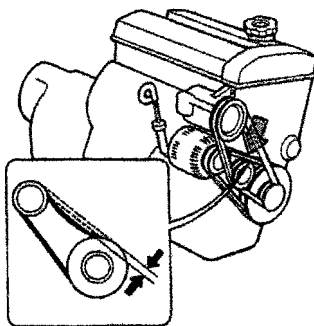
## Charging System Warning Light

The charging system warning light comes on when there is a problem with the electrical charging system or when the ignition switch is turned on with the engine not running. If the light comes on while driving, get off the road, stop the car and turn off the ignition. Then check the alternator belt for proper tension.

To check the belt tension, push with about 98 N (22 lb) of force on the middle of the belt as shown. The belt should deflect about: 10—12 mm (0.4—0.5 in)

### ▲ WARNING

- If the engine has been running, some engine components may be hot enough to burn you.
- Keep hands away from the radiator fan. The fan may start automatically without warning and run for up to 15 minutes, even after the engine is turned off.



### NOTE:

If necessary, have the charging system checked by an authorized Honda dealer.



## Check Engine Warning Light

This light comes on for a couple of seconds each time the ignition is turned on. It will also come on, and remain on, if there is a malfunction in the emission control system. If the light comes on while driving, avoid driving at high speed, and have the system checked by a Honda dealer as soon as possible.

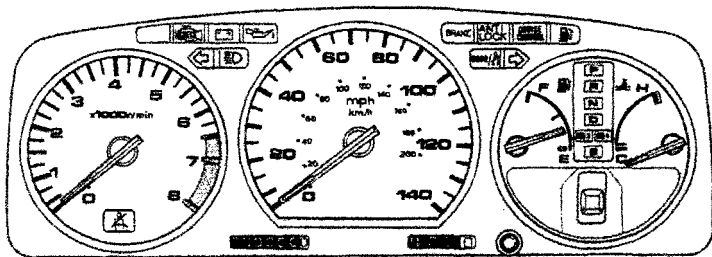
### BRAKE

## Parking Brake/Brake Failure Warning Light

Check the brake warning light every time you start the car.

With the parking brake set, the warning light should go on when the ignition switch is turned to II or III. With the parking brake released, the light should go on when the ignition switch is turned to III. If the light goes on at any other time, it means the brake fluid level in the master cylinder reservoir is too low; add fluid and have your dealer check for leaks and brake pad wear immediately. (See page 101)

(cont'd)



**ANTI  
LOCK**

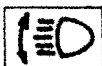
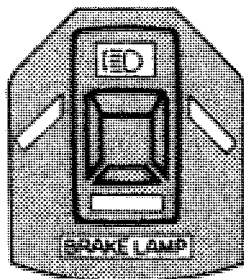
### **Anti-lock Brake System Warning Light (Si with Anti-lock Brake System)**

The Anti-lock brake system warning light will come on, and remain on, if there is a malfunction in the Anti-lock brake system or when the ignition switch is turned on with the engine not running. If the light comes on while driving, stop the car at a safe place and shut off the engine. If the light does not go out or lights again while driving, have the system checked by an authorized Honda dealer as soon as possible.

#### **NOTE:**

- The light does not indicate a failure of the normal brake system. The light only indicates a malfunction in the Anti-lock brake system. In such a case, the Anti-lock brake system is automatically shut down but normal braking capability continues.
- After jump-starting the car, there is a possibility that the Anti-lock brake system warning light may come on due to insufficient battery voltage. After the battery is sufficiently recharged and the engine is turned off and restarted, the Anti-lock brake system warning light should indicate that the Anti-lock brake system is OK, by coming on for a few seconds each time the engine is started. If the light remains on after recharging, have it checked by a Honda dealer.

## Safety Indicator Lights



### Headlight Motor Warning Light

The headlight motor warning light will come on if either headlight motor malfunctions during operation, causing it to lock for three or more seconds. See page [127](#) for manual operation.

### Door and Trunk Lid Warning Lights

If a door or the trunk lid is open when the ignition is switched on, the appropriate indicator will light, and stay lit, until the door or trunk lid is closed.

**BRAKE LAMP**

### Brake Lamp Warning Light

If a brake light does not work, the **BRAKE LAMP** indicator will go on when you push the brake pedal with the ignition on; the indicator will stay on until you have the lamp repaired or replaced. Have the brake lights checked as soon as possible.

#### **▲ WARNING**

**It is dangerous to drive your car with a problem in either the brake electrical or hydraulic system; have your dealer check both systems if you suspect brake trouble.**

### Checking the Safety Indicator Lights

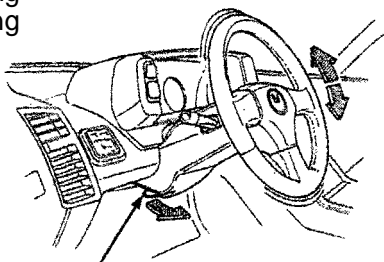
The headlight motor, door, trunk lid and brake lamp warning lights should come on for about two seconds when the ignition switch is turned on. If they don't, have the system checked by a Honda dealer.

# Tilt Steering

---

The steering wheel position can be adjusted to suit the driver preference.

1. Pull toward you and hold the lever at the bottom left of the steering column, and adjust the steering wheel to the desired position.



**TILT STEERING**

2. Hold the steering wheel in the **ADJUSTMENT** desired position and release the **LEVER** lever.

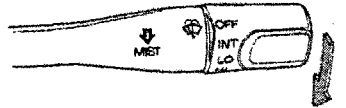
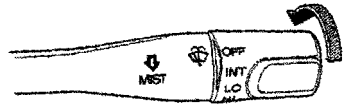
## **▲ WARNING**

- Do not adjust the steering wheel position while driving.
- After adjusting the steering wheel position, make sure H is securely locked in place by "rocking" it up and down slightly.

## Windshield Wipers

Switch the wipers to INT for intermittent operation; LO for low speed operation; and HI for high speed operation.

In fog or very light rain, push the lever down to the MIST position for temporary high speed operation of the wipers. The wipers will return to the rest position and the motor will shut off as soon as you release the lever.

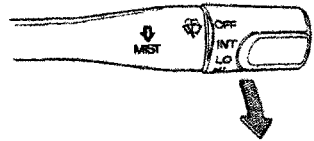


Push down

## Washer

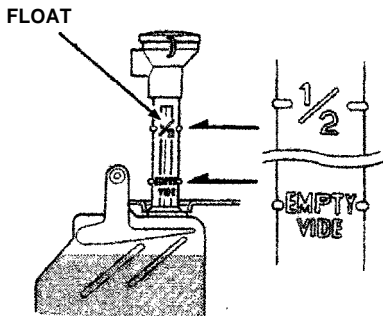
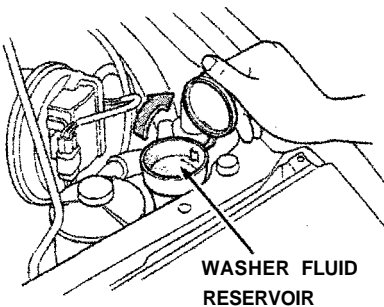
Pull the wiper switch lever toward you to turn on the washer.

Check the washer fluid regularly, especially during bad weather, or whenever the washer has been in frequent use. The float in the neck of the reservoir indicates the fluid level.



PULL

WINDSHIELD WASHER  
RESERVOIR CAPACITY:  
2.5 l (2.6 US qt, 2.2 Imp qt)



(cont'd)

## Windshield Wipers/Washer/Defogger (cont'd)

---

Use a good quality commercial washer fluid for all-weather cleaning.

### CAUTION:

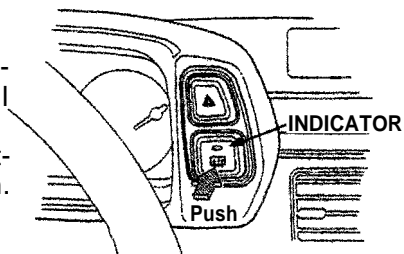
- Do not use radiator antifreeze in the windshield washer; it will damage the paint.
- Do not use a vinegar/water combination in the windshield washer; it will damage the pump.
- Prolonged operation of the washer without fluid may damage the pump.

In freezing weather, warm the windshield with the defrosters before using the washer. This will help prevent icing which could seriously impair visibility.

### Rear Window Defogger

Push the switch to turn the defogger on or off. The indicator will light when the defogger is on.

The switch will turn off automatically 25 minutes after it is turned on.



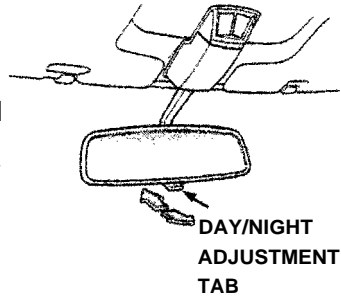
### CAUTION:

When cleaning the inside of the rear window, be careful not to damage the printed heater wires on the rear window. Wipe the window horizontally along the wires, not up and down.

## Rearview Mirrors

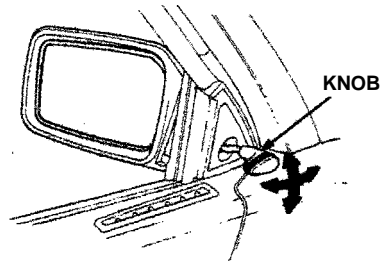
Keep the inside and outside mirrors clean and adjusted for best visibility. Be sure to adjust mirror angles before you start driving.

The inside mirror has day and night positions. The night position reduces glare from the headlights of vehicles behind you. Flip the small tab on the bottom of the mirror forward or backward to select day or night position.



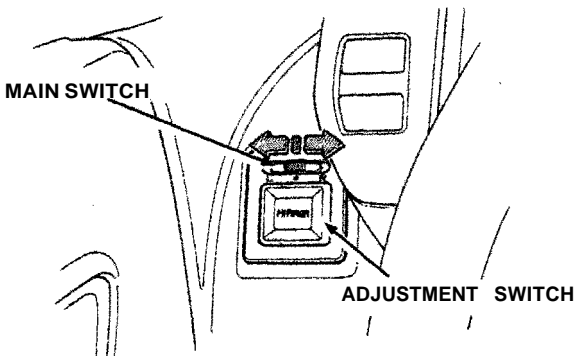
## (2.0 Si)

The outside mirror can be adjusted by moving the knob located on each door.



## Power Mirrors (Si)

With the ignition switch in the "II" position, move the main switch to L (for driver's side) or R (for passenger's side), then use the adjustment switch to adjust the outside mirror to the correct angle. After the mirrors have been adjusted, return the main switch to the center (off) position.



## NOTE:

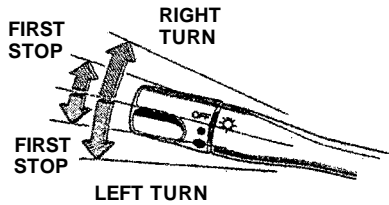
Be sure to adjust mirror angles before you start driving.



# Lights

## Turn Signals

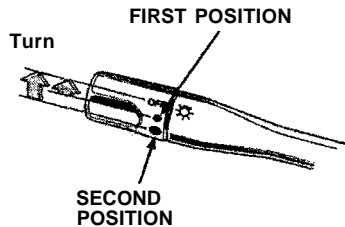
Push the turn signal lever down to signal a left turn, and up for a right turn. The indicator and appropriate signal lights will blink. The lever will return automatically to its original position when the steering wheel is returned to straight ahead.



For lane changing, you can signal by pushing the lever part way up or down (to the first stop) and holding it there; the lever will return to its original position when you release it. If either turn signal indicator lights up but does not blink, blinks faster than usual or does not light up at all, check for a burned out bulb or fuse.

## Headlights

Turn the light switch to the first position (●) for taillights, side marker lights, position lights, license plate lights, and instrument panel lights. Turn to the second position (●) to raise and add the headlights.



When the switch is returned from the second to the first position, the headlights will go off but will not retract; they retract when the light switch is turned to OFF.

If the driver's door is opened when the light switch is turned to either "on" position, a chime will sound to remind you to turn off your lights.

If you wish to raise or retract the headlights when the light switch is off (to use them as a passing signal for example), you may do so by pushing the headlight motor switch, located on the left side of the instrument panel; see page 34 for instructions on its use.

### CAUTION:

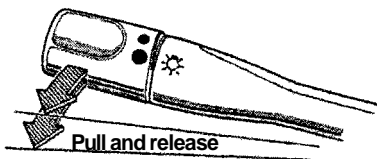
**Do not operate the headlight switch or headlight motor switch if anyone's hands are near the headlights.**

**NOTE:**

- If the headlight motor switch is pushed in, the headlights will not retract when the light switch is turned off.
- If the headlights neither rise nor retract, they can be operated manually; see page 127 .
- If you're driving in wet snow or freezing rain, keep the headlights in the raised position by using the headlight motor switch; this way/they can still be used if the headlight motors freeze.
- If the headlights have frozen in either the up or down position, remove all ice before operating the headlight motors.

**High Beam/Low Beam Switch**

The headlights may be switched between low beam and high beam by pulling the turn signal lever towards you. The blue high beam indicator light will be on when the high beam is on.



**Headlight Flasher**

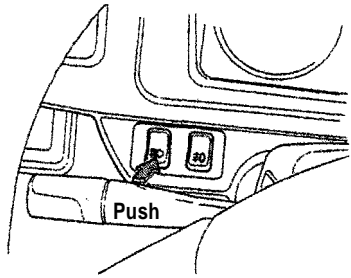
To flash the headlights, first raise them with the headlight motor switch, then lightly pull and release the light switch.

**CAUTION:**

**Do not operate the headlight switch or headlight motor switch if anyone's hands are near the headlights.**

### Headlight Motor Switch

Push the headlight motor switch to raise and/or retract the headlights while they are off. The headlights should be raised in this manner whenever you intend to use them as a passing signal, or if there is a possibility of the headlight motors freezing.



#### CAUTION:

**Do not operate the headlight motor switch if anyone's hands are near the headlights.**

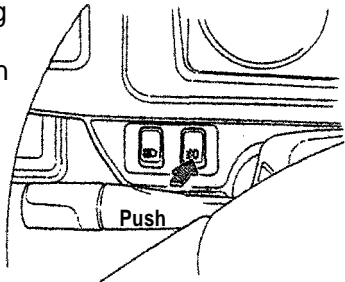
#### NOTE:

- The headlight motor switch will not retract the headlights if they are already turned on.
- If the headlights neither rise nor retract, they can be operated manually; see page [127](#).
- If the headlights have frozen in either the up or down position, remove all ice before operating the headlight motors.

### Fog Lamp Switch (Si)

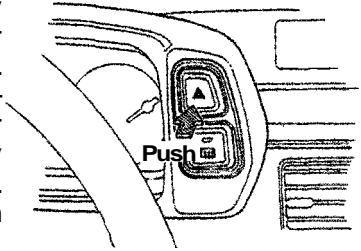
Push the switch to operate the fog lamps.

The fog lamps will light only when the headlights are on at low beam.



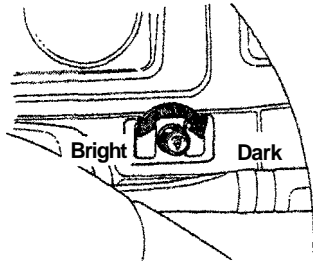
## Hazard Warning System

This system should be used only when your car is stopped under emergency or hazardous conditions. To activate, push the hazard warning switch (▲). The front and rear turn signals will blink simultaneously and both indicator lights will flash. Push the switch (▲) again to turn the system off.



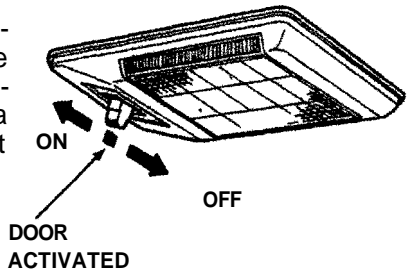
## Panel Brightness Control

When the light switch is in either of the two "ON" positions, the intensity of the instrument lights can be adjusted by turning the panel brightness control dial.



## Interior Light

The interior light has a three position switch. The light is off all the time in the OFF position. In the middle position, it goes on only when a door is opened. In the ON position, it is on all the time.



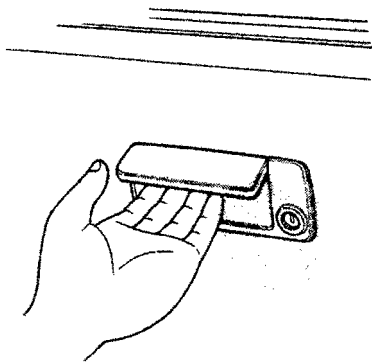
(cont'd)

## Lights (cont'd)

---

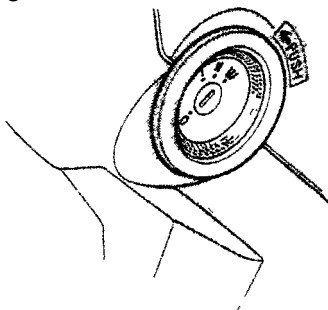
### Keyhole Light (Si)

When the driver's door handle is pulled, the keyhole light goes on. This is convenient for finding the keyhole location in the dark. The light goes out after several seconds.



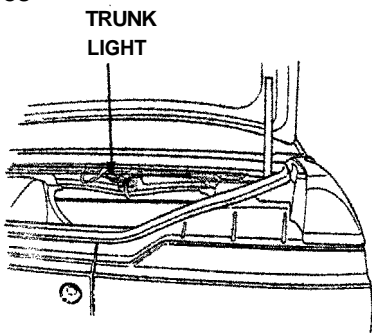
### Ignition Switch Light (Si)

This light will illuminate the switch for several seconds after the driver's door is closed.



### Trunk Light

The trunk compartment light goes on when the trunk lid is opened.



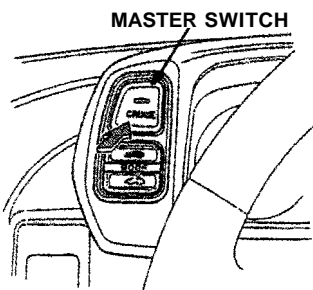
## Cruise Control

The Cruise Control system allows you to set and automatically maintain any speed above 30 mph (45 km/h) without keeping your foot on the accelerator. As its name implies, it is meant for cruising on straight, uncongested highways or freeways. It is not recommended to be used in traffic, on winding roads or in bad weather conditions where the driver should have total control.

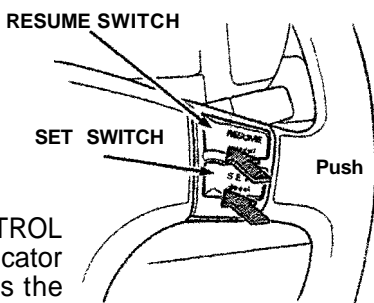
### To Set the Cruise Control:

Push the CRUISE CONTROL master switch on the dash; the indicator light will come on.

Accelerate to the desired speed, then push and release the SET switch on the steering wheel. The Cruise Control light on the instrument panel will come on.



The speed you were going when you released the SET switch is the speed the Cruise Control will hold. You can then "fine tune" the set speed by briefly holding and releasing the SET switch to decrease it a few mph or pushing the RESUME switch to slightly increase it.



### To Cancel the Cruise Control:

Simply push the CRUISE CONTROL master switch and the indicator light will go off (this also erases the memory of the set speed).

If you must temporarily disengage the system (but you wish to retain the memory of the set speed): tap the brake pedal, or the clutch pedal (manual transmission) or move the automatic transmission shift lever to N (Neutral). If you are still going above 30 mph (45 km/h), you can return to the set speed by simply pushing the RESUME switch. If the car has decelerated below approximately 30 mph (45 km/h), you can return to the set speed by using the accelerator conventionally until your speed is above 30 mph (45 km/h) and then pushing the RESUME switch.

(cont'd)

### To Change the Set Speed:

To a faster speed — For gradual acceleration with your foot off the accelerator, push and hold the RESUME switch until you reach the desired speed; release the switch and the system's memory will be re-programmed to the new speed.

For faster acceleration, push the accelerator until you reach the desired speed, then push and release the SET switch to re-program the system.

To a slower speed — push and hold the SET switch and the car will coast; when you reach the desired slower speed, release the switch and the system will be re-programmed.

For temporary acceleration above the set speed, such as for passing, use the accelerator pedal conventionally. When you want to return to the set speed, take your foot off the accelerator and coast without applying the brakes.

### **▲ WARNING**

The Cruise Control automates the function of the accelerator pedal to maintain your car at a constant speed. This can be a convenience on long trips, but it can also be a danger if there are many other cars on the road or if the road is unfamiliar. Pay strict attention to the responsibility of driving whenever using the Cruise Control.

### CAUTION:

Because the Cruise Control directly activates the accelerator pedal, don't rest your foot under the pedal when the Cruise Control is on; it may pull the pedal down onto your foot.

### NOTE:

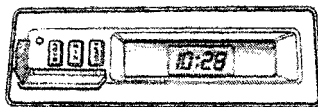
- With Cruise Control on, your speed will still vary slightly, particularly when going up or down hills.
- Do not drive with your foot on the brake or clutch pedal (manual transmission), as this will cause the Cruise Control to disengage.

## Digital Clock

The time is displayed continuously when the ignition is on. At all other times, push in on the lid to display the time.

To adjust the time:

1. Lower the lid.
2. Push the minute button (MIN.) and hold it until the numbers advance to the desired minutes.
3. Push the hour button (HOUR) and hold it until the numbers advance to the desired hour.
4. The RESET button allows you to synchronize your clock to the closest hour. If the time on the clock is before the half hour, pressing the RESET button will return the time to the previous hour. If the time is beyond the half hour, the RESET button will change the time to the next hour.



### NOTE:

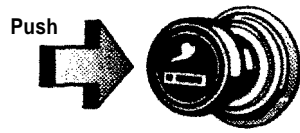
Be careful not to push the HOUR, MIN. or RESET buttons accidentally. Pushing any of them will change the clock's time setting.



# Cigarette Lighter and Ashtrays

## Cigarette Lighter

Push in to heat up. It will automatically release when the element is hot. DO NOT hold it in while it is heating up, it may overheat and damage the lighter and the heating element.

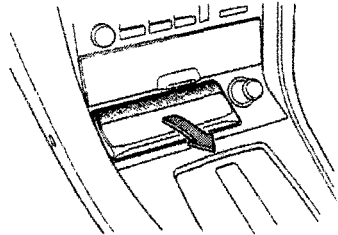


### NOTE:

The cigarette lighter will operate with the key in the "I" or "II" position.

## Front Ashtray

Open the ashtray by lifting its lid. To remove it, hold the lid, and pull it toward you.

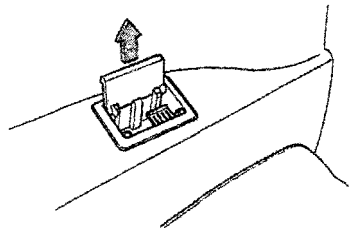


Hold the lid, and pull.

## Rear Ashtray

Open the ashtray by pulling its top edge.

To remove it, open the ashtray, then pull it up and out. To install, reverse the removal procedure.



To remove, pull up then out.

### CAUTION:

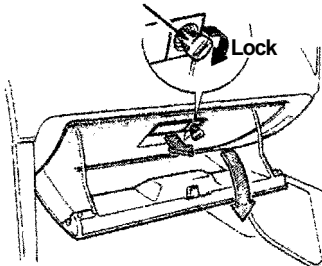
Do not use the ashtrays as trash containers; use them only for extinguished cigarettes. Putting lit cigarettes or matches in an ashtray with other combustible materials may cause a fire.

## Glove Box

Open by pulling the handle. Close with a firm push. The glove box door can be locked by using the master key.

The glove box light will go on when the glove box door is opened and the headlights are on.

MASTER KEY



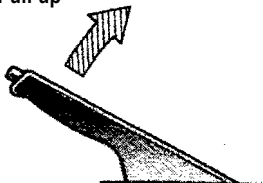
### ▲ WARNING

**Do not drive the car with the glove box door open; it could cause injury in an accident.**

## Parking Brake

To apply the parking brake, pull up on the lever. To release it, pull up slightly, push the button, and lower the lever; when fully released, the BRAKE warning light will go out.

Pull up

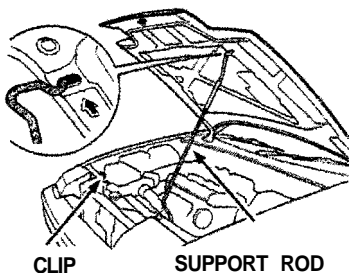
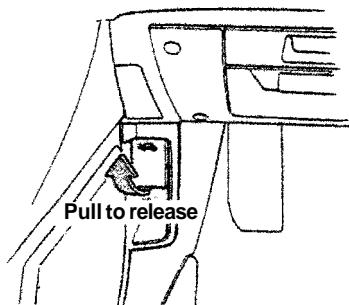


## Hood

To open, pull back on the handle under the left side of the dash. The hood latch is spring-loaded, so the hood will pop up slightly. Release the safety catch under the front center of the hood by pushing the handle up.

Lift the hood and prop it open with the support rod.

To close, take the support rod down, and return it to its clip, then lower the hood until it is approximately one foot from the closed position, then let it drop. Be sure the hood is securely latched before driving away.



# Power Windows (Si)

The power windows can be operated only when the ignition switch is in the "II" position.

The operation of the windows is controlled by the main switch located in the master control panel on the armrest of the driver's door. When the main switch is off, only the driver's door window can be opened and closed.

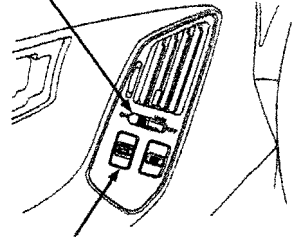
When the main switch is on, both door windows can be opened and closed by the driver, using the appropriate switch in the master control panel, and the passenger window can be opened by the passenger, using the switch located on the armrest of the passenger door.

When opening or closing a window, push and hold either the "up" or "down" side of the switch until the window reaches the desired position, then release.

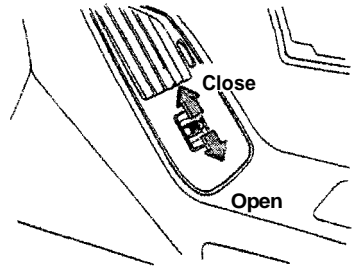
## NOTE:

The driver's window can be opened fully, without the driver having to hold the switch down, simply by pushing the switch past the first "stop."

MAIN SWITCH



DRIVER'S SWITCH



## ⚠ WARNING

- Be sure, before closing any window, that all hands, arms and other obstructions are clear of the window frame and glass; severe personal injury could result.
- Always keep the main switch in the off position when children are in the car; injury may result from unintentional window operation.

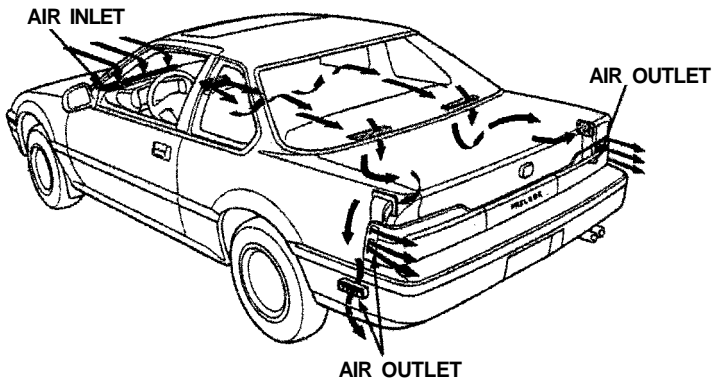
The vents, heater and air conditioner are combined in one system; adjusting four basic controls to different settings can provide a full range of interior temperatures for safe and comfortable driving. (Air conditioner is optional on the 2.0 Si model.)

## Ventilation

The flow-through ventilation system can provide fresh air to the interior when the car is moving or stopped, even with the sunroof and windows closed.

### NOTE:

For proper air flow, the flow-through vents must not be covered. Keep the air inlet at the base of the windshield free of leaves or other debris.



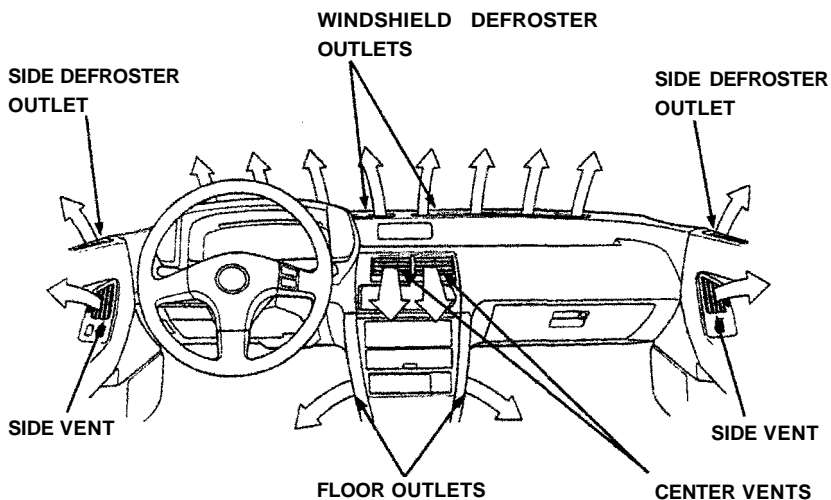
You can adjust the controls to direct cool or warm outside air throughout the car for defogging windows, heating, or cooling by turning on the fan.

# Heating and Cooling (cont'd)

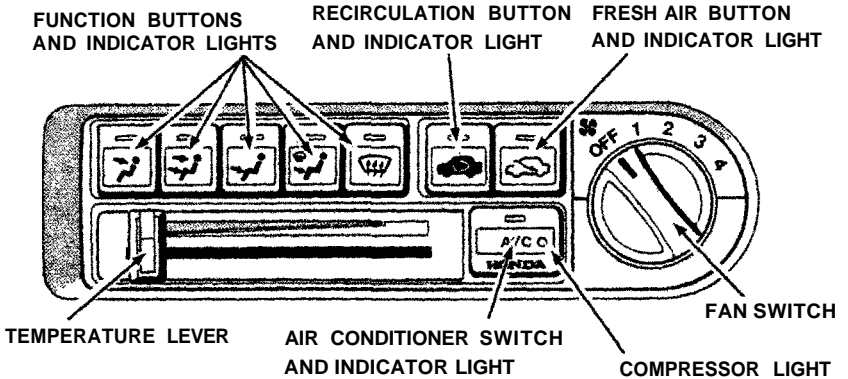
---

## Dash Vents

The side and center vents can be tilted up or down, and their louvers turned right or left, to change the direction of air flow.



## What the Controls Do:



### Fan Switch

Turning the dial clockwise will increase the fan speed, and the fan will circulate warm, cool, or outside air, depending on where the temperature lever and function buttons are set.

### Function Buttons

Push the appropriate button to direct air to and from the heater, defroster and vents. Each function button has an indicator light that comes on when the button is pushed in.

### Air Conditioner Switch (optional on the 2.0 Si model)

With the fan on, push the A/C switch to operate the air conditioner; the indicator light will come on.

Push the switch again to turn the air conditioner off.


#### NOTE:


If the air conditioner compressor light comes on, turn off the A/C switch (with the engine running) and turn it on again. If the light does not come on again, the system is functioning normally. If the light does come on again, turn off the A/C switch and do not use the system until it can be checked by an authorized Honda dealer.


### Temperature Lever

Slide the lever from left to right to make air warmer when the appropriate function is selected.

### Fresh Air ( ) and Recirculation ( ) Buttons



When the  button is pushed, the indicator light will go on and outside air will be allowed to circulate inside the car.

When the  button is pushed, the indicator light comes on, outside air is shut off and the air inside the car is recirculated.

If the heater or air conditioner is on and you want to warm up or cool down the interior more quickly, or keep smoke or dust out of the car without losing the heat or cool function, simply push the  button.




(cont'd)

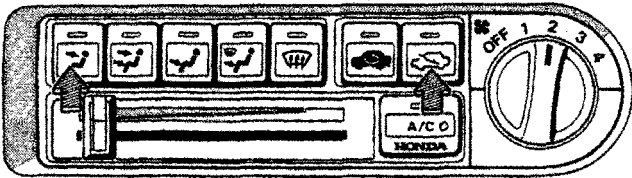
## NOTE:

The windows may become fogged if the system is in the  position for an extended period of time with the air conditioner off. As soon as the interior is warmed, switch to the  position.



## How to Use the Controls

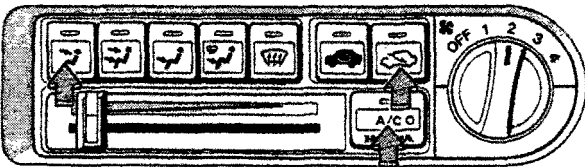
### To Ventilate


Move the temperature lever to the left, and push the  and  buttons. Turn the fan switch on and outside air will flow through the side and center vents. To change air distribution, select the  position and outside air will also flow from the heater ducts at the floor level.



### To Cool with A/C (optional on the 2.0 Si model)


To cool the car down quickly, start the engine, then turn the fan switch to high, push the A/C button on and open the windows briefly. Then close the windows, slide the temperature lever to the left, push the  and  buttons, so inside air will recirculate to the air conditioner for maximum cooling.

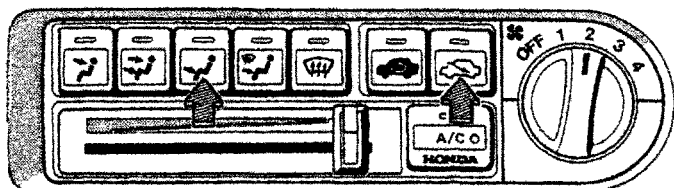




When the interior has cooled sufficiently, switch the fan to the desired speed, then push the  button to direct fresh (outside) air to the air conditioner.

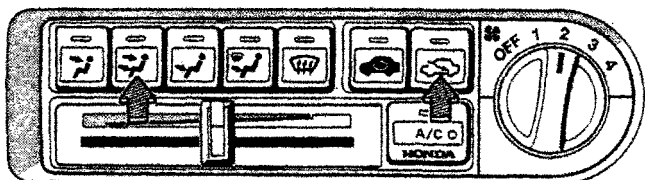
When using the air conditioner in heavy traffic, or while driving up long hills, watch the coolant temperature gauge: if the needle moves near the "H" end of the scale, turn the air conditioner off by pushing the A/C button; leave it off until the needle goes back into the middle of the scale.


## To Heat



Switch the fan on, slide the temperature lever to the right, push the  button, and warmed (outside) air will begin flowing from the floor outlet.




Selecting the  button instead of the  button, will direct a small amount of air through the dash vents in addition to the floor outlets.





To warm up the interior quickly, push the  button so the inside air will be recirculated to the heater.

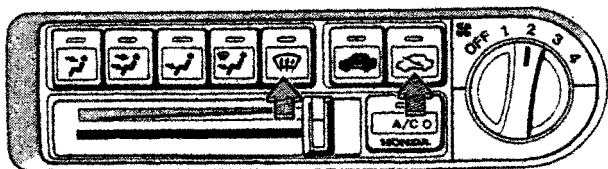
If the windows begin to fog while heating in the  position, switch to  to allow outside air to enter.

## To Defrost

To defrost or defog the windshield and door windows, slide the temperature lever to the right, push the  (defrost) button, and switch the fan on.

If there is actual frost on the windows, first push the  button.

If the windows are fogged, push the  button. Warmed air will then flow from the windshield and side defroster vents.



(cont'd)



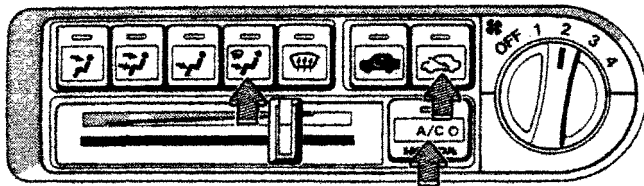
## Heating and Cooling (cont'd)

### To Dehumidify with A/C (optional on the 2.0 Si model)


Because an air conditioner dehumidifies as it works, you can use it in cool or cold weather to help defog the windows. Just switch the fan on, push the A/C button on, select the desired function and adjust the temperature lever to a comfortable setting.

#### NOTE:

This setting is desirable for most operating conditions in ambient temperatures above approximately 32°F (0°C).

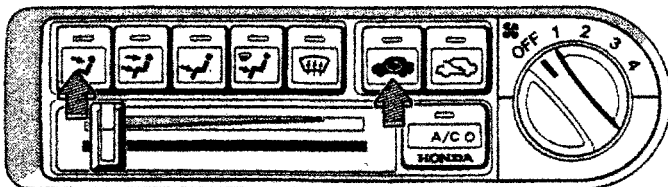


### To Turn Everything OFF

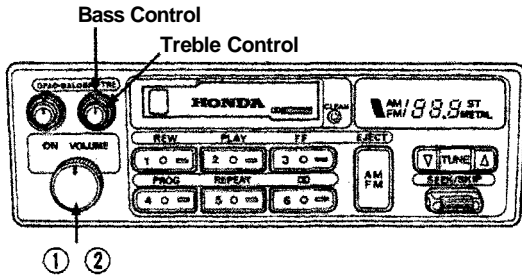
Slide the temperature lever to the left, turn the fan switch off and push the  button on.

#### NOTE:

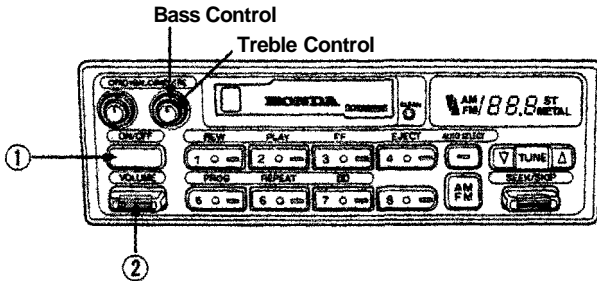
This setting should only be used in cold weather for the first few minutes of driving to prevent cold air from blowing into the cabin. Under normal operating conditions, the fan should always be kept ON to prevent the accumulation of stale air in the system.



(2.0 Si)



(Si)



## ① ON/OFF Switch

On the 2.0 Si model:

Turn the switch clockwise to turn the unit on; turn it counterclockwise to turn the unit off.

On the Si model:

Push the button to turn the unit on; push it again to turn the unit off.

## NOTE:

The antenna will rise or retract automatically when the unit is turned on or off. It will also retract automatically if the ignition is switched off.

## ② Volume Control

On the 2.0 Si model:

Turn the ON/OFF switch clockwise to increase volume and counterclockwise to decrease volume.

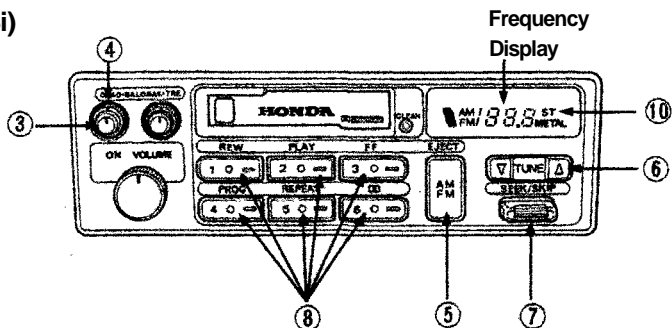
On the Si model:

Push the switch up to increase volume and down to decrease volume.

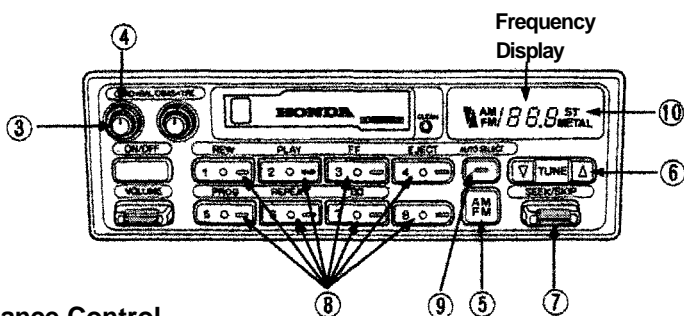
(cont'd)

# Stereo Sound System (cont'd)

(2.0 Si)



(Si)



## ③ Balance Control

Balances sound between left and right speakers.

### NOTE:

When the headlights are on, the radio panel illumination is on, even if the radio is turned off.

The panel lighting can be turned off by first pushing the Balance Control button to its out position and then pulling it out slightly further.

## ④ Fader Control

Balances sound between front and rear speakers.

## Radio Operation

### ⑤ AM/FM Band Selector

Push to select AM or FM band. The corresponding band indicator will light.

### ⑥ Manual Tuning

Push the ▼ button to tune to a lower frequency station.

Push the ▲ button to tune to a higher frequency station.

### NOTE:

If you hold either button for more than half a second, the tuning frequency will count up or down rapidly,

---

## ⑦ Seek Tuning

Each time you push this button up or down, the tuner will automatically seek the next higher or lower frequency station.

## ⑧ Preset Station Selection

1. Make sure the Band Selector is on the band you want ... AM or FM. Then, find the station you want by Manual Tuning or Seek Tuning.
2. Press and hold one of the Preset Buttons.
3. In a few seconds, a beep will sound and the light in the button will come on. The station is now preset in the memory. You may preset 1 AM and 1 FM station per button (total, 6 of each on the 2.0 Si model and 8 of each on the Si model).
4. You can tune to a preset station by pushing its corresponding preset button.

**NOTE:** On the Si model

The Auto Select Button must be off before the Preset Station Selection can be used.

## ⑨ Auto Select Button (Si only)

If you are visiting a new broadcast area, you can quickly enter into memory the stronger stations in that area by simply pushing the Auto Select Button. The radio will then automatically scan both the AM and FM bands and temporarily memorize up to eight stations in each. With the Auto Select Button on, these stations can then be tuned by pushing the preset buttons. Manually-preset stations remain memorized for use when you return to your normal broadcast area, but are only selectable with the Auto Select Button off.

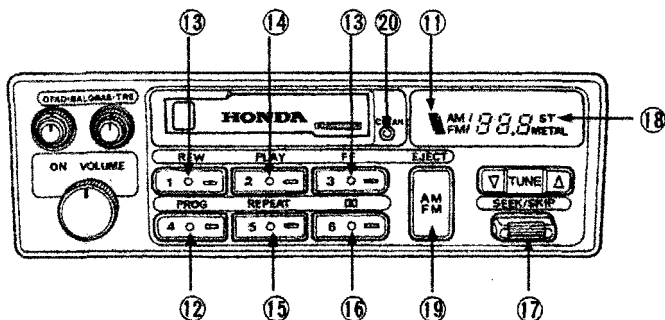
## ⑩ Stereo Indicator

This lights up when a FM broadcast in stereo is being received. It will flash when the signal strength diminishes. If it flashes, good stereo reception cannot be expected. Stereo reception is available only for FM stereo broadcasts, not for AM stereo broadcasts.

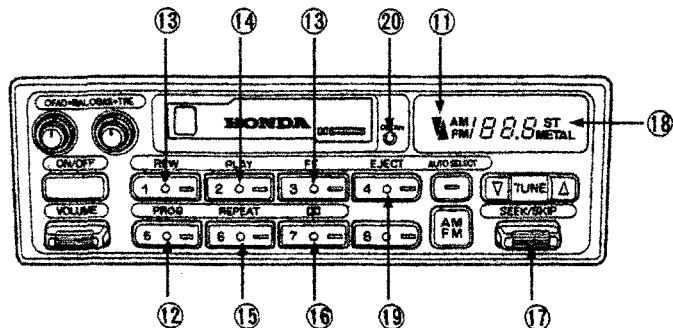
# Stereo Sound System (cont'd)

## Tape Operation

(2.0 Si)



(Si)



### ⑪ Tape Direction Indicator

With the cassette inserted "A" side up, the indicator (▲) will light when the "A" side is playing; the indicator (▼) will light when the "B" side is playing.

### ⑫ Program Selector (PROG)

Push to change the direction of tape play.

Auto Reverse Feature: The tape direction automatically reverses when the end of the tape is reached in play or FF mode and plays the other side.

### ⑬ Fast Forward/Rewind (FF/REW)

Note which Tape Direction Indicator is lighted, then push the appropriate button to rapidly wind the tape in the same direction (FF) or in the opposite direction (REW).

### ⑭ Play (PLAY)

Push the PLAY button (indicator on) to resume tape play and stop rewind or fast forward operation.

---

### 15 Repeat Button (REPEAT)

Push the REPEAT button (indicator on) to return to the beginning of a song or section of programming and repeat its play. Push the button again (indicator off) to cancel the repeat function and resume normal play.

### 16 Dolby® Noise Reduction ( )

Push when playing tapes recorded in Dolby NR (the Dolby NR indicator will light). Push again when playing tapes not recorded in Dolby NR. Use of the wrong setting will affect high frequency response.

#### NOTE:

- The Dolby NR circuit will not operate during radio reception.
- Dolby noise reduction system is manufactured under license from Dolby Laboratories Licensing Corporation. "Dolby" and the double-D symbol are trademarks of Dolby Laboratories Licensing Corporation.

### 17 Skip Button

The circuit senses silent passages between songs or programs on a tape. Push upward to automatically advance to the beginning of the next song, or downward to return to the beginning of the song just played.

#### NOTE:

Tapes that contain short silent passages between songs, a high level of noise between songs, or silent passages within a song may not be suitable for this function.

### 18 Metal indicator (METAL)

Most metal or CrO<sub>2</sub> cassettes are coded with slots on their back edge. If such a cassette is inserted, the player will detect the slots and automatically switch to the proper equalization for full enjoyment of metal/CrO<sub>2</sub> tapes. The indicator light will go on when coded cassettes are played.

### 19 Eject

Push this button to stop and eject the tape.

Ignition Key-OFF Eject: The cassette being played will be automatically ejected when the ignition or the unit is turned off.

#### NOTE:

When one side of the tape ends, "Auto-Reverse" will automatically begin playing the other side, therefore, you must push the eject button to stop or remove the tape.

(cont'd)

## ② CLEAN Indicator Light

After 50 hours of cassette tape play, the light will come on as a reminder to clean the tape heads. If the light comes on and the tape heads were not cleaned at the recommended 30 hours of usage (see maintenance section below), they should be cleaned immediately. To reset, push the indicator for a minimum of five seconds until the light goes off.

## Defective Tape Eject

The tape player includes a protection mechanism to automatically eject defective tapes (warped housing, loose label, faulty tape movement) immediately upon insertion. If a tape malfunctions while in play, the tape direction will change back and forth and then eject the cassette. Tapes ejected before play should be considered faulty and discarded; tapes ejected during play may only be unevenly wound and could be re-usable if fully rewound, manually, outside the player.

### NOTE:

The tape player may repeat cycle through the loading and unloading motion several times in an effort to eject a faulty tape. During this process the tape will either eject fully or rise to the loading level and have to be pulled out manually. In either case, discard the tape; re-use may damage the tape player.

## Maintenance

The head in the cassette tape player can pick up dirt or tape deposits each time a cassette is played. The result is low or "muddy" sound from one or both channels, as if the treble tone control were turned all the way down. To prevent this, you should periodically clean the head with a commercially available cleaning cassette.



As preventive maintenance, clean the head about every 30 hours of use. If you wait until the head becomes very dirty (noticeably poor sound), it may not be possible to remove all deposits with a simple cleaning cassette.

The use of 120 minutes tapes is not recommended.

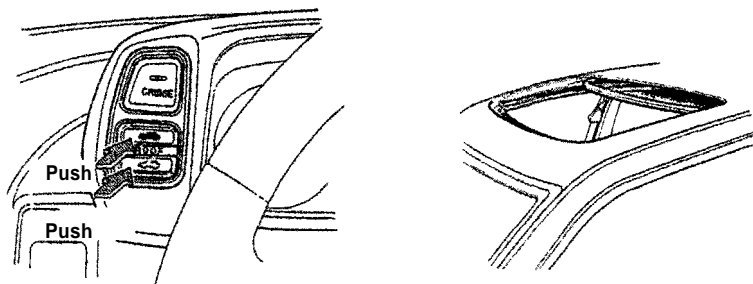
### CAUTION:

**Storing cassettes out of their cases, or touching the magnetic tape with your fingers will increase the amount of dirt that gets to the tape head. Using low-quality "off-brand" tape will increase the amount of tape deposits that get on the head. Both of these practices may eventually lead to damage of the head and playing mechanism.**

## Sunroof

To open the sunroof, push and hold the  switch. To close the sunroof, push and hold the  switch. Release the switch when the roof reaches the desired position.

Do not hold the switch on after the sunroof has fully opened or closed, or you may damage the sunroof motor.



### **▲ WARNING**

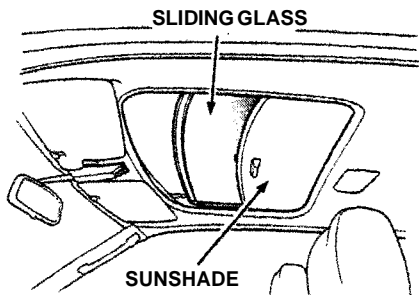
- Do not allow any part of your body to extend through the sunroof while the vehicle is in motion, in the event of a collision or sudden application of the brakes, severe personal injury could result.
- To avoid the possibility of injury while closing the sunroof, never allow any part of your body to extend through the opening.

### CAUTION:

Operating the sunroof in severe cold or when it is covered with snow or ice may cause damage to the sunroof.

## Sunshade

As well as the sunroof, there is a sliding sunshade which you can adjust to let in light with the roof closed, or to block out light entirely. The sunshade automatically opens as you open the sunroof.



(cont'd)

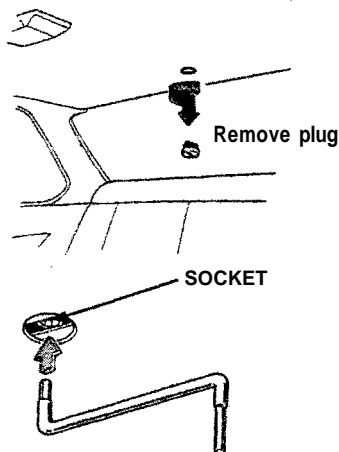


# Sunroof (cont'd)

## If the Sunroof Won't Close

The sunroof can be closed manually, if the control switch will not close it.

1. Remove the round plug near the rear center of the headliner,
2. Insert the sunroof wrench (from the tool kit) into the socket.
3. Turn the wrench until the sunroof seats in the closed position.
4. Replace the plug.

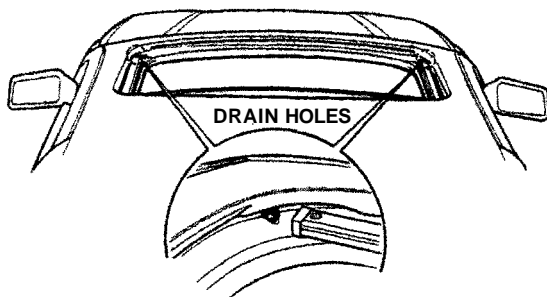


## CAUTION:

**Do not put weight on the sunroof or force it open or closed, you may damage the mechanism.**

## Maintenance

Periodically pour a little water down the drain holes to make sure they are not plugged. If they are free, water should drop on the ground behind each front wheel.



For proper operation of your car's emission controls, your engine is designed to use unleaded fuel only.

**CAUTION:**

**Using leaded or even low-lead gasoline could damage some of your emission controls, and also void their coverage under the emission controls warranty.**

Use gasoline from pumps labeled unleaded, with a pump octane number of 86 or higher. The pump octane number is an average of the Research (R) octane and Motor (M) octane numbers. Use of a lower octane gasoline can cause persistent, heavy "spark knock" (a metallic rapping noise), which can lead to engine damage if severe.

**CAUTION:**

**If you notice steady spark knock while holding a steady speed on a level road, try changing brands of gasoline. If the spark knock persists, consult your Honda dealer. Failure to do so is considered misuse, and misuse is not covered under the New Car Warranty.**

Occasionally you may notice light spark knock while accelerating or driving up hills. This is no cause for concern, it simply means your engine is running at its most economical.

## **Gasoline Containing Alcohol**

If you decide to use a gasoline containing alcohol ("gasohol"), be sure its octane rating is at least as high as that recommended for unleaded gasoline. There are two types of "gasohol": that containing ethanol, and that containing methanol. Do not use gasohol that contains more than 10% ethanol. Do not use gasoline containing methanol (methyl or wood alcohol) that does not also contain cosolvents and corrosion inhibitors for methanol. Never use gasoline containing more than 5% methanol, even if it has cosolvents and corrosion inhibitors.

## NOTE:

- Fuel system damage or vehicle performance problems resulting from the use of such fuels is not covered under the new car warranties. Honda cannot endorse the use of fuels containing methanol since evidence of their suitability is as yet incomplete.
- Before purchasing fuel from an unfamiliar station, try to confirm whether the fuel contains alcohol, of what kind, and how much. If you notice any undesirable operating symptoms after using a gasoline that contains alcohol; or one that you think contains alcohol, switch to an unleaded gasoline as recommended on page 57.

## Operation In Foreign Countries

In order to comply with U.S. Federal Emissions Regulations, you must use unleaded fuels of the recommended octane rating. These fuels may not be available in other countries. If you intend taking your car outside the U.S. or Canada, write to American Honda Consumer Affairs (stating the year and model of your car) at the address below for information regarding modifications you may need to have done.

American Honda Motor Co., Inc.  
Consumer Affairs  
1919 Torrance Blvd.  
Torrance, CA 90501-2722

## Fuel Filler Door and Cap

### **▲ WARNING**

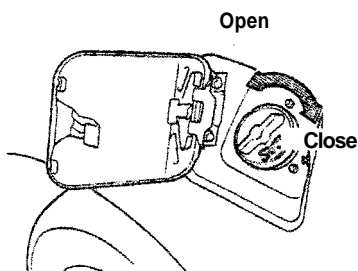
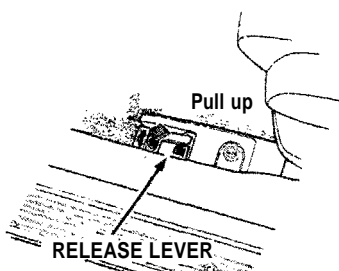
**Gasoline is extremely flammable and is explosive under certain conditions. Perform this operation in a well-ventilated area with the engine stopped. Do not smoke or allow open flames or sparks in the area or where gasoline is stored.**

The fuel filler door is opened by pulling up on the lever at the left side of the driver's seat.

The door will lock automatically when closed; push it until it clicks.

### CAUTION:

**You may hear a hiss when you open the filler cap. This sound is residual pressure escaping from the fuel tank. Open the cap slowly and remove the cap after the hissing stops. Do not overfill the tank; fill only until the gas pump clicks off automatically and never top off.**



#### **▲ WARNING**

Fuel vapor is extremely hazardous under certain conditions. Always stop the engine before refueling, and never refuel near sparks or open flames.

#### **CAUTION:**

When reinstalling the fuel cap, be sure both tabs on the cap are engaged in the slots of the filler neck and turn the cap until it stops. If you replace the cap, use only a genuine Honda replacement part or its equivalent. Failure to use the proper part could cause serious fuel system problems.

#### **How to Improve Your Gas Mileage:**

- Drive at a smooth, steady pace to avoid unnecessary decelerations and stops — accelerating back to speed uses more fuel.
- Plan trips to avoid rush hour traffic if possible.
- Make sure the parking brake is completely released.
- Consolidate trips whenever possible.
- Keep vehicle weight to a minimum by removing unnecessary items from the luggage area.
- Whenever possible, use fresh air from the dash vents to keep cool when driving; open windows, or use of the air conditioning both affect fuel economy.
- Keep the tires adjusted to the recommended pressure.

#### **Tire Pressure (measured cold)**

**Front:** 195 kPa (28 psi)

**Rear:** 180 kPa (26 psi)

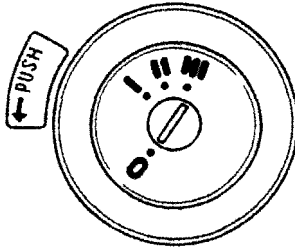
195 kPa (28 psi) : **(Si with 4WS)**

#### **Condition of Your Car**

You can only get maximum fuel economy if your car is in top running condition. Have all required maintenance done at the proper intervals. Check tire pressures and tire wear frequently. If tire wear is uneven, have the alignment checked by your Honda dealer. Proper alignment saves gasoline and prolongs tire life.

# Ignition Switch

The combined ignition switch/anti-theft lock is located on the right side of the steering column and has four positions:



- **0-LOCK position:** The key can be removed or inserted in this position. To remove the key, push it in at position I, then turn it to 0 and pull it out. When the key is removed, the steering column will lock.

## NOTE:

On cars equipped with automatic transmissions, the transmission must be in Park before pushing and turning the key to the 0-LOCK position.

## ▲ WARNING

**Never turn the ignition switch to the lock position or remove the key while the car is in motion; the steering wheel can lock causing a loss of directional control, and an accident could result.**

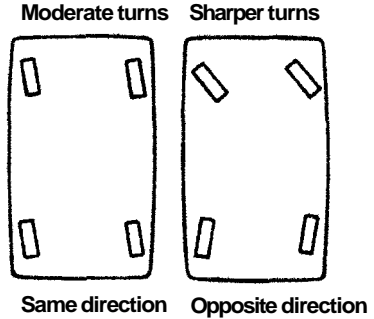
- **I-ACCESSORY position:** In this position, the accessory circuit is on, but the ignition circuit is off.  
If the key is difficult to turn from the 0 to the I position, turn the steering wheel slightly to relieve pressure on the lock.
- **II-ON position:** This is the normal running position.
- **III-START position:** The starter will engage when the key is turned to this position.

To remind you to remove the ignition key when leaving your car, a beeper will sound if the key is still in the ignition when you open the driver's door. The beeper system is deactivated when you turn the ignition to 0 (Lock) and fully remove the key.

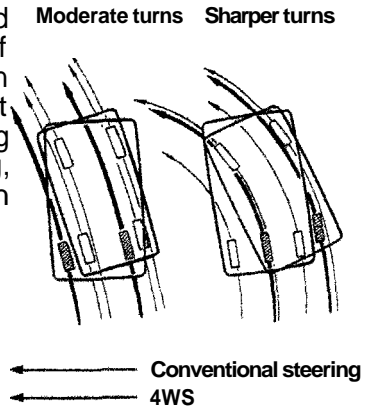
# Four Wheel Steering (Si with 4WS)

The four wheel steering system (4WS) provides limited steering of the rear wheels, in addition to the normal steering of the front wheels. The system is "steering angle dependent." That is, depending on how far the steering wheel is turned, the rear wheels are steered in either the same or the opposite direction of the front wheels.

When the steering wheel is turned a moderate amount, up to approximately one half turn, the rear wheels are steered in the same direction as the front wheels. For example, during lane changing and on gentle curves, the front and rear wheels steer in the same direction.



When the steering wheel is turned more than approximately one half turn, the rear wheels are steered in the opposite direction of the front wheels. This reduces the turning radius of the car for easier parking, U-turns, and maneuvering in confined spaces.



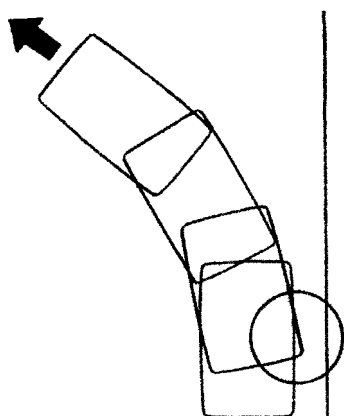
(cont'd)

# Four Wheel Steering (cont'd)

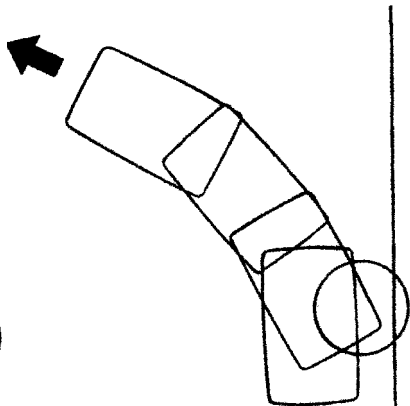
---

**CAUTION:**

If the car is very close to a wall or other obstacle, the rear of the body can swing enough to contact the obstacle when turning very sharply. Go slowly, and use both outside mirrors.



Conventional steering



4WS

## Before Starting

### **Manual Transmission:**

1. Apply the parking brake.
2. Push the clutch pedal all the way in (see **NOTE** below).
3. Shift the transmission to neutral.

### **NOTE:**

On cars equipped with manual transmissions, the engine will not crank unless the clutch pedal is fully depressed.

### **Automatic Transmission:**

1. Make sure the shift lever is in Park (P).
2. Apply the parking brake and the foot brake.

## Starting the Engine

### **NOTE:**

- When starting in cold weather, keep all unnecessary electrical circuits off (lights, defogger, etc.) for the best battery output.
- Do not crank the engine for more than 15 seconds at a time. Wait 10 seconds before going to the next step.

1. With your foot off the accelerator start the engine by turning the key to the III position.
2. If the engine won't start within 15 seconds or starts but fails to continue to run, push the accelerator pedal halfway, and hold it there while cranking the engine. Once the engine starts, release the accelerator gradually as the engine speeds up.
3. If it doesn't start within 15 seconds, push the accelerator pedal down to the floor and hold it there while cranking in order to clear flooding. Try step 2 again.



# Starting the Engine (cont'd)

---

## Cold Weather at High Altitude Starting

### NOTE:

- When starting in cold weather, keep all unnecessary electrical circuits off (lights, defogger, etc.) for the best battery output.
- Do not crank the engine for more than 15 seconds at a time. Wait 10 seconds before going to the next step.

1. When starting in cold weather at high altitude (above 8,000 feet), push the accelerator pedal about halfway and hold it there while cranking the engine. Once the engine starts, release the accelerator gradually as the engine speeds up.
2. If it doesn't start within 15 seconds, push the accelerator pedal down to the floor and hold it there while cranking in order to clear flooding. Try step 1 again.

### NOTE:

If the outside temperature is below freezing, or if your car has not been driven for several days, warm up the engine for a few minutes before driving.

## **Before driving away, check that:**

- The doors are closed properly.
- The mirrors are properly adjusted, and the windows clean.
- The driver and passengers are wearing properly adjusted seat belts.
- The head restraints are properly adjusted.
- The warning and indicator lights are operating properly.
- The brake pedal feels normal.
- All luggage and cargo is secured.
- Nothing is interfering with the driver's feet or blocking vision to the rear.

## **While driving remember to:**

- Always drive defensively; expect the unexpected.
- Reduce your speed during night hours and bad weather.
- Follow at a safe distance; don't tailgate.
- Get off the highway when you are tired; stop and take a rest.

## **When stopping for repairs:**

- Park the car well off the road.
- Turn on the hazard warning flasher.  
Use flares or other warning devices to warn other motorists.

## **After parking your car:**

- Apply the parking brake and shift to first gear if equipped with manual transmission, or PARK on automatic transmission equipped cars.
- Make sure the sunroof and windows are closed and the doors are locked.
- if parked on a hill:  
Turn the front wheels away from the curb if facing uphill.  
Turn the front wheels toward the curb if facing downhill.
- Never leave children unattended in a parked car.
- Take your keys.

# Engine Exhaust Gas Warning

---

A properly maintained car is your best protection against exhaust gas entering the passenger compartment.

The exhaust system should be thoroughly inspected by a competent mechanic whenever:

- The car is raised for oil change.
- You notice a change in the sound of the exhaust.
- The exhaust system or the rear or underside of the car is damaged.

## **▲ WARNING**

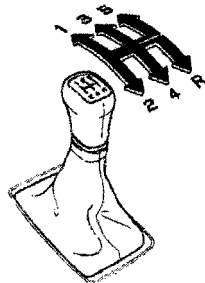
- **Avoid breathing exhaust gases.** They contain carbon monoxide, which is a colorless, odorless gas that can cause loss of consciousness and eventual death. If you suspect that exhaust gas is entering the passenger compartment, have the cause determined and corrected as soon as possible. If you must drive under these conditions, drive only with all windows fully open.
- **Do not drive with the trunk lid open.** An open trunk lid may draw exhaust gases into the passenger compartment. If you must drive with the trunk lid open, drive only with all the windows wide open.
- **Do not run the engine in confined areas,** such as garages, any longer than necessary to move the car in or out.
- **If you must sit in a parked car with the engine running for more than a short time, adjust the heating/ventilation system as follows:**

1. Push the  and  buttons on.
2. Set the temperature lever for best comfort.
3. Turn the fan to the highest speed.

## **NOTE:**

To insure proper operation of the car's ventilation system, keep the front air inlet clear of snow, mud, leaves or other obstructions.

The fully synchronized manual transmission is very easy to shift up or down. When you slow down for traffic, steep hills, or corners, shift to a lower gear before the engine starts to labor. When descending steep grades, select a lower gear to help maintain a safe speed and to prevent the brakes from overheating.



When shifting, depress the clutch pedal fully, shift gears and then release the clutch gradually. Do not speed-shift; allow time for the gears to synchronize.

To prevent grinding the gears when shifting into reverse, hold the clutch pedal depressed briefly before shifting, or shift the lever into one of the forward gears before selecting reverse.

A safety lockout prevents accidental shifting straight from 5th to Reverse.

## ▲ WARNING

**Avoid rapid acceleration or sudden deceleration when either or both driving wheels are on a slippery surface. Decreased traction could cause loss of directional control.**

## CAUTION:

- Do not drive with your foot on the clutch pedal as this will cause premature wear of clutch components.
- Do not shift into reverse while the car is moving.

## Shifting the 5 Speed (cont'd)

---

### Maximum Allowable Speeds

The speeds shown below are the maximum at which the car can be driven or downshifted in each gear without over-revving the engine.

1st	30mph (49 km/h)
2nd	55mph (89 km/h)
3rd	79mph (127 km/h)

### Recommended Shift Speeds

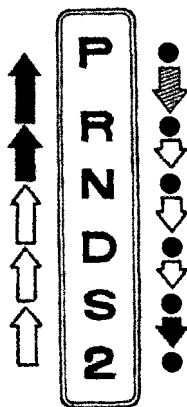
For best fuel economy, and effective emission control, shift at the speeds shown:




Shift up	Normal Acceleration	Cruise From Acceleration
1st to 2nd	15 mph (24 km/h)	7 mph (11km/h)
2nd to 3rd	28 mph (45 km/h)	22mph (35km/h)
3rd to 4th	41 mph (66 km/h)	33mph (53km/h)
4th to 5th	52 mph (83 km/h)	48mph (77km/h)

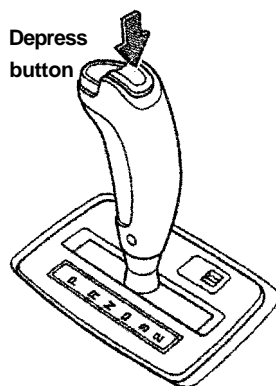
# Shifting the Automatic

The automatic transmission shift lever has a locking mechanism to prevent accidental shifting into Reverse (R), Park (P) or 2nd (2). Also, an Automatic Shift Lock prevents you from shifting out of Park unless the brake pedal is already depressed and the ignition switch is in the II position.

Push the button on the shift handle to shift into 2nd, Reverse or Park; depress the brake pedal and then push the button on the shift handle to shift out of Park.

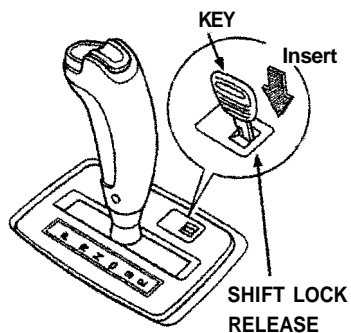


-  : Depress the brake pedal first and push the button, then shift.
-  : Push the button, then shift.
-  : Shift as desired.



If you cannot shift out of Park with the brake pedal depressed and the ignition switch in the II position:

1. Turn the ignition switch off and remove the key.
2. Insert the key in the Shift Lock Release located to the right of the shift lever.
3. Press and hold the key down, then press the button on the shift handle and move the shift lever to Neutral.
4. Return the key to the ignition switch, depress the brake pedal and restart the engine.



## NOTE:

If you encounter any problem shifting out of Park, have your authorized Honda dealer check the system as soon as possible.

(cont'd)

# Shifting the Automatic (cont'd)

---

## Operating Tips

For smoother operation, apply the brakes when shifting from Neutral or Park to a forward or reverse gear.

When parking: bring the car to a stop with the foot brake, hold the brake on and shift into Park, set the hand brake and then turn off the engine.

### NOTE:

Your 4 speed automatic transmission is equipped with a torque converter lock-up clutch. Because of this, you may notice what feels like an extra shift as the clutch engages.

### CAUTION:

- **Shift into P only after the car has come to a complete stop.**
- **Shift into or out of R only after the car has come to a complete stop.**
- **Do not "rev-up" the engine when the brake is on and the shift lever is in D, S, 2 or R.**
- **When stopped on a hill, use the brakes to hold your position, not the accelerator pedal.**
- **Do not shift from N or P into D, S, 2 or R when the engine is above idle speed. Before shifting into gear, make sure your foot is firmly on the brake pedal.**
- **Do not rest your hand on the shift lever or push the shift button while driving.**

## Driving Technique

### D-4th

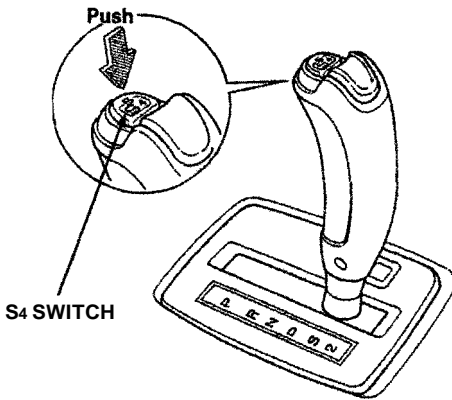
Use the D range for normal in-town and highway driving. The car will start off in 1st and shift automatically to 2nd, 3rd, and 4th. The further down you push the accelerator, the later the transmission will shift and the faster the car will accelerate.

### S3/S4

The "S" shift selector range changes the shift points under part throttle acceleration, allowing the transmission to stay in each lower gear for a longer period before automatically upshifting. With the shift selector in the "S" range, the "S3" indicator light in the instrument panel will come on and the transmission will shift from 1st to 2nd and 3rd but not 4th. This is especially useful when climbing or descending grades. While driving in the "S" range, the car's performance is improved but fuel economy is reduced.

While driving in the "S" range, you can select 4th gear by pushing the "S4" switch. Depending upon vehicle speed and throttle pedal position, the transmission will shift to 4th gear when the switch is pressed; the "S4" indicator light in the instrument panel will come on. Pushing the "S4" switch again will cause the transmission to downshift to 3rd gear in the "S3" mode. The "S4" indicator light in the instrument panel will go out, and the "S3" light in the instrument panel will come on.

If the shift lever is moved to any other driving range, the "S4" switch will be cancelled automatically.



**NOTE:**

- In both the D and S modes, the transmission holds in 2nd while you are stopped in gear. When you start moving again, the transmission shifts to 1st, then 2nd and so on.
- If rapid acceleration is necessary, depress the accelerator to the floor; the transmission will automatically shift down according to load and engine speed. This applies to both D and S ranges.

(cont'd)



## Shifting the Automatic (cont'd)

---

### **2-2nd**

Use 2nd gear for increased engine braking when driving downhill, and increased power when driving uphill; also for driving on slippery roads, and freeing the car from mud or sand, where 1st gear could provide too much power and cause skidding or wheelspin. The maximum recommended speed in 2nd gear is:

60 mph (97 km/h)

### **R-Reverse**

#### **CAUTION:**

**Shift into or out of reverse only after the car has come to a complete stop; the transmission may be damaged if you shift while the car is moving.**

### **P-Park**

#### **CAUTION:**

**Use this position when starting the engine, or when parking. Shift into Park only when the car is COMPLETELY stopped.**

### **N-Neutral**

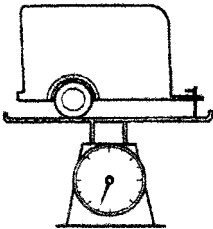
Use when starting the engine or during prolonged idling in traffic.

Your car is designed primarily to carry passengers and a normal amount of luggage. Although your car is capable of towing a trailer, there will be an effect on handling, performance, braking, general vehicle and tire durability and fuel economy.

## ▲ WARNING

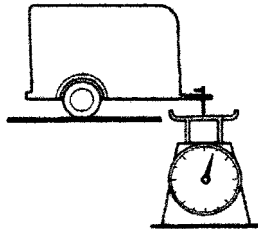
- The weight of the trailer plus its cargo must not exceed a total of 1,000 lbs. (450 kg).
- The gross vehicle weight must not exceed the Gross Vehicle Weight Rating (GVWR) indicated on the Certification label (see page 131 ). The gross vehicle weight is the total weight of the car, driver, passengers, luggage, hitch and trailer tongue load.
- The total weight supported by each axle must not exceed the Gross Axle Weight Rating (GAWR). The front and rear GAWR's are shown on the Certification label (page 131 ). The distribution of luggage and passengers in the car, as well as the tongue load and hitch weight should also be considered in terms of the GAWR, which is the maximum amount of weight that should be supported over the front and the rear axles. You should have your car and trailer weighed at a commercial weighing station to check both the GVWR and GAWR's to confirm that the total weight and weight distribution are within safe driving limits.
- The maximum trailer tongue load must not exceed 100 lbs. (45 kg). Cargo should be distributed so that the tongue load is approximately 10% of the total weight of the trailer and its cargo. This is done by distributing approximately 60% of cargo weight toward the front of the trailer and 40% toward the rear.

TRAILER WEIGHT



Maximum: 1,000 lbs (450 kg)

TONGUE LOAD



Maximum: 100 lbs (45 kg)

- Never load the trailer so that the back is heavier than the front. This will seriously affect vehicle handling. Be sure the cargo is secured so that it will not move during driving.

(cont'd)

# Towing a Trailer (cont'd)

---

## Hitches

Use only a hitch recommended by your Honda dealer. The hitch should be bolted securely to the car and installed by a qualified technician. Do not use a hitch designed for temporary installation and never use one that attaches only to the bumper.

## Trailer Brakes and Safety Chains

The Honda Automobile Division recommends that trailers equipped with brakes should conform to any applicable federal and state regulations. When using a trailer equipped with electric brakes, a trailer brake controller that connects to the car's electrical system is recommended. Installing a brake controller that connects to the car's brake hydraulic system could result in brake fluid contamination or leaks. A safety chain must always be used between the car and the trailer. Leave sufficient slack in the chain so that it does not bind in sharp turns. The chain should cross under the trailer tongue to prevent the tongue from dropping to the ground.

## Tires

Make sure your car's tires are properly inflated. Adjust tire pressure to the recommended tire pressure indicated on the label attached to the edge of the driver's door. The trailer tires should be of the proper size, load rating and inflated to the pressure recommended by the trailer manufacturer.

## Trailer Lights

Trailer lights must comply with federal, state and local regulations. See your local recreational vehicle dealer or rental agency for the correct type of lighting and wiring for your trailer. Check for correct operation of the turn signals and stop lights each time you hitch up.

### CAUTION:

**Connections to your car's electrical system should be made by your Honda dealer or a qualified electrician. Improper installation may damage your vehicle's electrical system and cause a malfunction of the lights.**

---

## **Break-in Schedule**

Do not tow a trailer during the 600 miles (1,000 km) break-in period: see page 2 .

## **Maintenance**

If you tow a trailer, your vehicle will require more frequent maintenance due to the additional load. Refer to the "Maintenance schedule under severe driving conditions" on page 82 for specific information.

## **Before Towing**

With the car and trailer completely loaded and parked on a level surface, confirm that the tongue loading is correct. If the car has an abnormal nose-up or nose-down attitude, check for improper cargo distribution. Check also for excessive cargo weight, worn suspension or other causes and correct the problem before driving. Be sure the cargo is secured so it will not shift while driving. Check that your rearview mirrors conform to any federal, state or local regulations. If not, install rearview mirrors designed for towing. Before towing a trailer, practice turning, stopping and reversing with a trailer in an area away from traffic until you learn the technique.

## Towing Safety

### **▲ WARNING**

- Stopping distance will be increased when towing a trailer. For each 10 mph (16 km/h) of speed, allow at least two car lengths between you and the vehicle ahead. Avoid sudden braking which may cause trailer jackknifing and loss of control.
- Avoid jerky starts and sudden acceleration. If your car has a manual transmission, always start out in first gear and release the clutch at moderate engine rpm.
- Avoid rapid lane changing and sharp turns. The trailer could hit your car in a tight turn. Slow down before making a turn. Remember, the total length of your car plus trailer will require a wider turning circle.
- Crosswinds may adversely affect handling of your car and trailer. Use the rearview mirrors frequently to warn you of approaching large vehicles that may pass you causing your car and trailer to sway. When being passed, firmly grip the steering wheel and *be* prepared to reduce speed immediately but gradually. Never increase speed. Steer straight ahead.
- Towing a trailer in bad weather will magnify any difficulty in controlling the car caused by the weather itself. Avoid sudden maneuvers: slow down and use extra caution.
- Be careful when passing other vehicles. Passing requires considerable distance because of the added weight and length of your trailer.

---

**CAUTION:**

- **Before starting out, check the operation of the lights and all car/trailer connections. After driving a short distance, stop and recheck the lights and connections.**
- **Reversing is difficult and requires practice. While backing-up, the trailer may pivot off-course. To correct for this, grip the bottom of the steering wheel and move your hand to the left to move the trailer to the left; or to the right to move the trailer to the right. Turn the steering wheel a little at a time, and keep the speed very low. Have someone guide you when backing.**
- **To help prevent overheating of the brakes, shift into a lower gear to make use of engine braking before descending steep or long grades. Do not make sudden downshifts.**
- **Pay strict attention to the coolant temperature gauge when going up hills. Because of the added load of the trailer, your car's engine may overheat on hot days. Turning off the air conditioner will reduce the load on the cooling system.**
- **On cars equipped with automatic transmission. '**
  - **Do not hold the car stationary on an incline by using the accelerator pedal; this can cause the transmission fluid to overheat. Instead, use the handbrake or foot brake.**
  - **When towing trailers, avoid high transmission fluid temperatures (caused by the transmission frequently shifting between 3rd and 4th gears) by driving in S<sub>3</sub>.**

**NOTE:**

Be sure to check state and local laws concerning maximum speed or other driving restrictions for cars towing trailers. If you are driving across several states, check each state's requirements before leaving home, because restrictions may vary,

**Parking with a Trailer**

Whenever parking your car on an incline with a trailer attached, place and seat chocks at each wheel of the car and trailer. This is in addition to the normal parking preparations of firmly applying the parking brake and placing the transmission in first or reverse (manual transmission) or P (automatic transmission).

**CAUTION:**

**Parking on an incline is not recommended and should be done only if it cannot be avoided. Follow all precautions mentioned above and turn the wheels to point towards a curb if facing downhill, away from a curb if facing uphill. When leaving an inclined parking place, move the car slightly to unseat the chocks. Then while keeping the foot brakes firmly applied, have an assistant remove the chocks.**

# Maintenance Schedule and Records

---

Your Honda automobile must be properly maintained to ensure that it is in peak operating condition and the emission levels are within the standards set by the Federal Clean Air Act.

The following instructions and maintenance procedures are based on the assumption that your car will be used exclusively for the purpose for which it was designed:

1. To carry passengers and cargo within the load limits shown on the label on the edge of the driver's door.
2. To be driven on reasonable road surfaces within legal limits.
3. To generally be driven daily over a distance of several miles.
4. Use gasoline from pumps labeled unleaded, with a pump octane number of 86 or higher. The pump octane number is an average of the Research (R) octane and Motor (M) octane numbers.

## NOTE:

Failures which occur due to a lack of maintenance will not be covered under warranty.

The Required Maintenance Schedule\* specifies all maintenance required to keep your car in peak operating condition. Work should be done by a Honda dealer but may be done by any qualified service facility or individual who is competent in this type of work.

**Maintenance, replacement, or repair of emission control devices and systems may be done by any automotive repair establishment or individual using parts that are "certified" to EPA standards.**

After the maintenance has been done, be sure to complete the Maintenance Records on pages 81 — 83 . All required maintenance is considered normal owner operating cost and you will be charged for it by your dealer.

- \* For vehicles sold in California, maintenance operations indicated by \*4 on page 80 are recommended by the manufacturer. Other maintenance operations are required by California regulations and condition the emission warranty.

---

Check the following items at each fuel stop:

1. Engine oil level.
2. Radiator coolant level.

Check the following items periodically:

1. Brakes: for braking efficiency, brake pedal travel and hydraulic fluid level.
2. Lights: for operation of headlights, taillights, side marker lights, stoplights, turn signals and back-up lights.
3. Tires: for correct pressures (including spare); inspect for cuts and uneven or excessive wear. Rotate every 7,500 miles (12,000 km) in the pattern shown on page 110 .
4. Steering: for excessive play or vibration while driving.
5. Exhaust system: for leaks or loose mounts.
6. Wipers: for operation of windshield wipers and washer, and condition of wiper blades.
7. Seat belts: for condition of fabric and buckles, and operation of the restraint mechanism.
8. Battery condition.

(cont'd)



# Maintenance Schedule and Records (cont'd)

R—Replace C—Clean I—Inspect After inspection, adjust repair or replace if necessary.							
*1 Tension adjustment only.				*4 For cars sold in California, this service is recommended only; for other areas, it is required.			
*2 Thereafter, replace every 2 years or 30,000 miles (48,000 km), whichever comes first.							
*3 Si with Anti-lock Brake System							
Service at the interval listed: miles (or km) or months, whichever comes first.	x1,000 miles	15	30	45	60	75	90
	x1,000 km	24	48	72	96	120	144
months		12	24	36	48	60	72
Idle speed and idle CO					I		
Valve clearance		I	I	I	I	I	I
Alternator drive belt			I*1		I		I
Timing belt							R
Water pump							I
● Engine oil and oil filter ●	Replace every 7,500 miles (12,000 km) or 6 months						
● Transmission oil			R		R		R
Radiator coolant ●				R		R*2	
Cooling system hoses and connections			I		I		I
E.G.R. system					I		
Air cleaner element			R		R		R
Fuel filter and hoses (inc. aux. filter)					R		
Fuel line connections			I*4		I		I
Evaporative emission control system					I		
Ignition timing and control system					I		
Spark plugs			R		R		R
Distributor cap and rotor					I		
Ignition wiring					I		
Positive crankcase ventilation valve					I		
Brake hoses and lines (Including Anti-lock brake system) *3		I	I	I	I	I	I
Brake fluid (Including Anti-lock brake system) *3			R		R		R
◆ Front brake discs and calipers		I	I	I	I	I	I
Front brake pads	Inspect every 7,500 miles (12,000 km) or 6 months						
◆ Rear brake discs, calipers and pads		I	I	I	I	I	I
Parking brake		I	I	I	I	I	I
Exhaust pipe and muffler		I	I	I	I	I	I
Suspension mounting bolts		I	I	I	I	I	I
Front wheel alignment (except 4WS models)		I	I	I	I	I	I
Front and rear wheel alignment (4WS models)		I	I	I	I	I	I
Steering operation, tie rod ends, Except steering gear box and boots 4WS models (Including center shaft for 4WS 4WS models models)		I	I	I	I	I	I
Anti-lock brake system high pressure hose *3					R		
Anti-lock brake system operation *3			I		I		I
◆ Power steering system		I	I	I	I	I	I
Power steering pump belt			I*1		I		I
Catalytic converter heat shield					I		

● Check oil and coolant level at each fuel stop.

◆ Under severe driving conditions, service these items **twice as often**. (See page 82)

## Required Maintenance Record

- Have your servicing dealer record all Required Maintenance below.
- Keep receipts for all work done on your car.

7,500 MI. 12,000 km.(or 6 Mo.)	(Sign or Stamp)	Mileage
		Date
15,000 MI. 24,000 km.(or 12 Mo.)	(Sign or Stamp)	Mileage
		Date
22,500 MI. 36,000 km.(or 18 Mo.)	(Sign or Stamp)	Mileage
		Date
30,000 MI. 48,000 km.(or 24 Mo.)	(Sign or Stamp)	Mileage
		Date
37,500 MI. 60,000 km.(or 30 Mo.)	(Sign or Stamp)	Mileage
		Date
45,000 MI. 72,000 km.(or 36 Mo.)	(Sign or Stamp)	Mileage
		Date
52,500 MI. 84,000 km.(or 42 Mo.)	(Sign or Stamp)	Mileage
		Date
60,000 MI. 96,000 km.(or 48 Mo.)	(Sign or Stamp)	Mileage
		Date
67,500 MI. 108,000 km.(or 54 Mo.)	(Sign or Stamp)	Mileage
		Date
75,000 MI. 120,000 km.(or 60 Mo.)	(Sign or Stamp)	Mileage
		Date
82,500 MI. 132,000 km.(or 66 Mo.)	(Sign or Stamp)	Mileage
		Date
90,000 MI. 144,000 km.(or 72 Mo.)	(Sign or Stamp)	Mileage
		Date

(cont'd)

# Maintenance Schedule and Records (cont'd)

## Severe Driving Conditions

### CAUTION:

The following items must be serviced more frequently on cars normally used under severe driving conditions. Refer to the chart below for the appropriate maintenance intervals.

Severe driving conditions include:

- A: Repeated short distance driving
- B: Driving in dusty conditions
- C: Driving in severe cold weather
- D: Driving in areas using road salt or other corrosive materials
- E: Driving on rough and/or muddy roads
- F: Towing a trailer

Condition	Maintenance item	Maintenance operation	Interval
A B . . . F	Engine oil and oil filter	R	Every 3,750 miles (6,000 km) or 3 months
. . . . . F	Transmission oil	R	Every 15,000 miles (24,000 km) or 12 months
A B . D E F	Brake discs, calipers and rear brake pads	I	Every 7,500 miles (12,000 km) or 6 months
. B C . E .	Power steering system	I	Every 7,500 miles (12,000 km) or 6 months

R-Replace

I -Inspect

After inspection, clean, adjust, repair or replace if necessary.

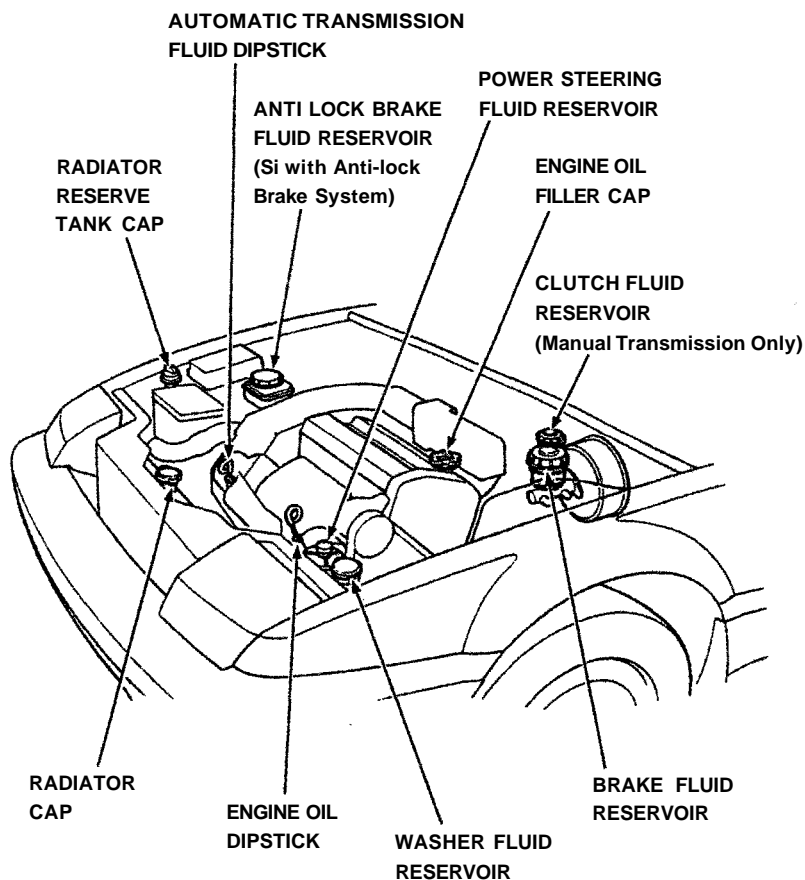
## Non-Scheduled Maintenance Record

Record additional maintenance for severe driving conditions or non-scheduled maintenance on this page. (See page 80)

Maintenance Performed:	(Sign or Stamp)	Mileage
		Date
Maintenance Performed:	(Sign or Stamp)	Mileage
		Date
Maintenance Performed:	(Sign or Stamp)	Mileage
		Date
Maintenance Performed:	(Sign or Stamp)	Mileage
		Date

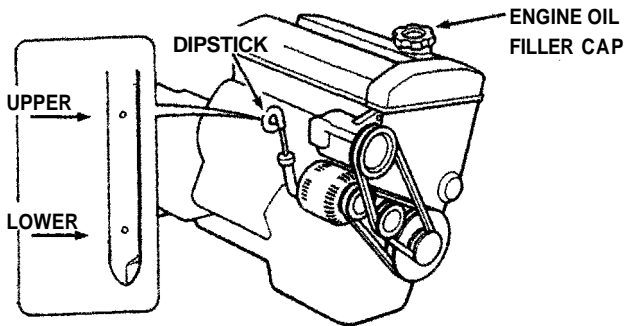
<b>Maintenance Performed:</b>	(Sign or Stamp)	Mileage
		Date
<b>Maintenance Performed:</b>	(Sign or Stamp)	Mileage
		Date
<b>Maintenance Performed:</b>	(Sign or Stamp)	Mileage
		Date
<b>Maintenance Performed:</b>	(Sign or Stamp)	Mileage
		Date
<b>Maintenance Performed:</b>	(Sign or Stamp)	Mileage
		Date
<b>Maintenance Performed:</b>	(Sign or Stamp)	Mileage
		Date
<b>Maintenance Performed:</b>	(Sign or Stamp)	Mileage
		Date
<b>Maintenance Performed:</b>	(Sign or Stamp)	Mileage
		Date
<b>Maintenance Performed:</b>	(Sign or Stamp)	Mileage
		Date
<b>Maintenance Performed:</b>	(Sign or Stamp)	Mileage
		Date
<b>Maintenance Performed:</b>	(Sign or Stamp)	Mileage
		Date
<b>Maintenance Performed:</b>	(Sign or Stamp)	Mileage
		Date
<b>Maintenance Performed:</b>	(Sign or Stamp)	Mileage
		Date
<b>Maintenance Performed:</b>	(Sign or Stamp)	Mileage
		Date

# Fluid Locations



## Checking

Check the engine oil a couple of minutes after shutting the engine off, with the car parked on level ground. Remove the dipstick and wipe it clean. Re-insert it all the way down, then pull it out and read the level. The level should be between the upper and lower marks.



## Adding

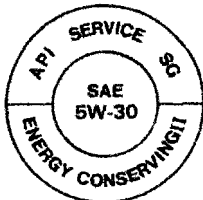
If the level has dropped close to the lower mark, add oil until it is even with the upper mark.

1. Turn the oil filler cap counterclockwise to remove. Add oil, then check the level again. Do not overfill.
2. Reinstall the cap and twist clockwise until it stops.

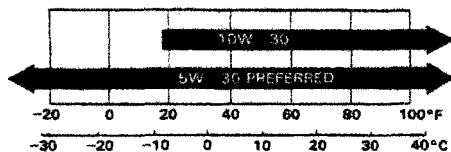
### CAUTION:

- Be sure the oil filler cap is correctly replaced before starting the engine.
- Engine oil is a major factor affecting the performance and service life of the engine, you should use only a premium quality detergent oil labeled SG grade.

LOOK FOR THIS LABEL  
ON THE OIL CONTAINER



Use the proper viscosity oil for the climate in which you drive:



Ambient Temperature

Some oil labels may also include additional designations of quality such as CC or CD. However, these are acceptable only when used together with SG.

### NOTE:

5W-30 viscosity oil is recommended for improved fuel economy.

(cont'd)

# Engine Oil and Filter (cont'd)

## Fuel Efficient Oil

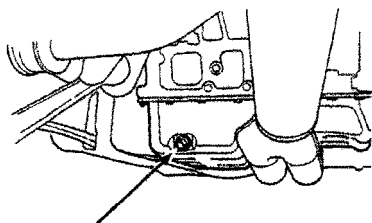
For the best fuel economy from your car, it is recommended that you use a fuel efficient SG grade oil. This oil is usually identified by the words such as: "Energy Conserving II," "Gas Saving," and "Fuel Saving," etc.

## Changing Oil and Filter

Engine oil and the filter should be changed together every 6 months or 7,500 miles (12,000 km), whichever comes first. The filter is located on the engine block, below the intake manifold.

### CAUTION:

The oil filter cannot easily be removed from above the engine. For this reason it is recommended that the oil filter change be done by a skilled mechanic.



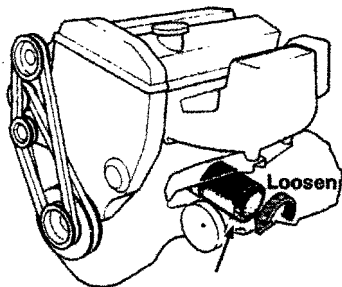
ENGINE OIL DRAIN BOLT

1. Start the car to warm up the engine, then shut it off.
2. Remove the engine oil filler cap and drain bolt, and drain the oil.

### ▲ WARNING

A warmed-up engine and the oil in it are hot; be careful not to burn yourself.

3. Remove the oil filter and let the remaining oil drain out.
4. Install a new filter according to the instructions on or with the filter.



OIL FILTER

- 
5. Reinstall the drain bolt with a new washer and tighten it securely. Refill the engine with the recommended oil, to the upper mark on the dipstick.

ENGINE OIL CHANGE CAPACITY (including filter):  
3.8 l (4.0 US qt, 3.3 Imp qt)

6. Start the engine and make sure oil is not leaking from the drain bolt or the filter.
7. Shut off the engine and recheck the oil level.

**NOTE:**

Please dispose of used motor oil in a manner that is compatible with the environment. We suggest you take it in a sealed container to your local service station for reclamation. Do not throw it in the trash or pour it on the ground.

**CAUTION:**

**Used motor oil may cause skin cancer if repeatedly left in contact with the skin for prolonged periods. Although this is unlikely unless you handle used oil on a daily basis, it is still advisable to thoroughly wash your hands with soap and water as soon as possible after handling used oil.**



# Transmission Oil/Fluid Check

Transmission oil/fluid must be checked with the engine off and the car on level ground.

## ▲ WARNING

- If the engine has been running, some engine components may be hot enough to burn you.
- Keep hands away from the radiator fan. The fan may start automatically without warning and run for up to 15 minutes, even after the engine is turned off.

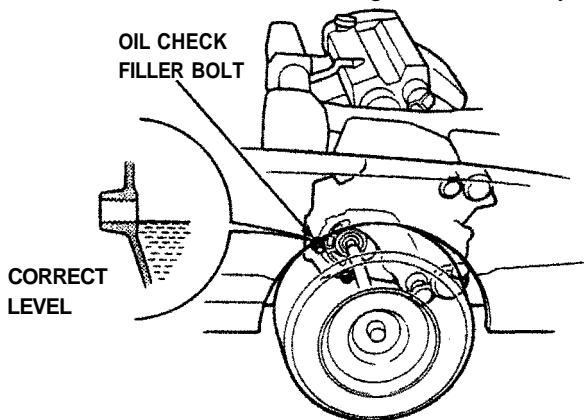
## CAUTION:

If the oil/fluid level is low, check for possible leaks before adding oil. Do not overfill.

Since the transmission and differential are in the same housing, you are actually checking both oil/fluid levels in one procedure. Change transmission oil/fluid according to the Maintenance Schedule on page 80 .

## 5-Speed

Remove the oil filler bolt (beside the right axle). Feel inside the bolt hole with your finger. If the oil is up to the bottom edge of the hole, the oil level is correct. If it is not, slowly add oil until it runs out of the hole, then reinstall the bolt and tighten it securely with a wrench.

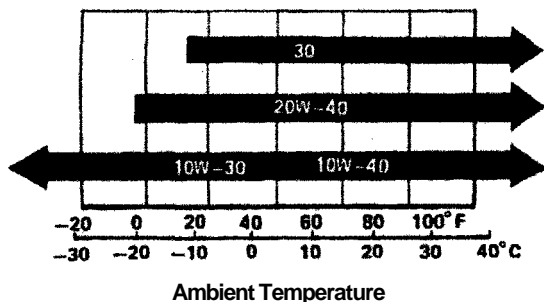


## 5-SPEED TRANSMISSION

OIL CHANGE CAPACITY; 2.1 l (2.2 US qt, 1.8 Imp qt)

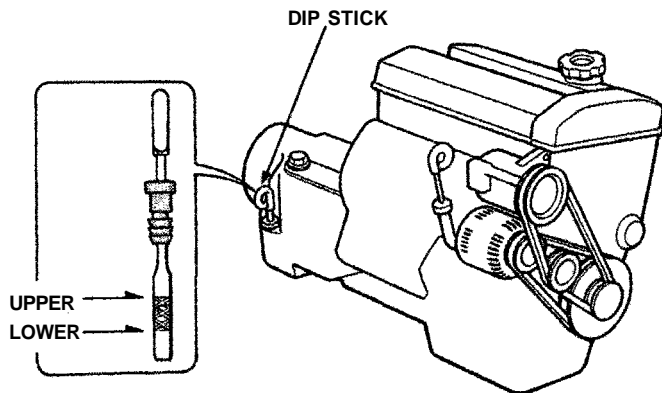
Use only SF or SG grade motor oil when adding or changing transmission oil.

Use the proper viscosity oil for the climate in which you drive:



### Automatic

The automatic transmission fluid level is checked (with the engine off and the car on level ground) using the dipstick in the right end of the transmission housing. Remove the dipstick and wipe it off.



Insert the dipstick and remove it. The fluid level should be between the upper and lower marks.

If necessary, add fluid and recheck. Use only DEXRON® II Automatic Transmission Fluid (A.T.F.) when adding or changing fluid. After checking the fluid level, push the dipstick in securely.

**AUTOMATIC TRANSMISSION  
FLUID CHANGE CAPACITY:**  
2.8 l (3.0 US qt, 2.5 Imp qt)

# Cooling System

---

The engine in your Honda contains a number of aluminum parts. Therefore, it requires an antifreeze/coolant specifically formulated to protect the aluminum parts from corrosion. Failure to use a suitable antifreeze/coolant may seriously shorten the life of the engine as the result of rapid corrosion damage. Some antifreeze/coolants, although labeled for use in engines containing aluminum, may not provide adequate protection for your engine.

Therefore, use only a Honda **RECOMMENDED** antifreeze/coolant. CHECK WITH YOUR AUTHORIZED HONDA DEALER.

For best corrosion protection, the mixture of coolant and water must be maintained year-round at 50/50. Concentrations less than 50% coolant may not provide sufficient protection against corrosion and freezing. Concentrations of greater than 60% coolant will impair cooling efficiency and are not recommended. Low-mineral drinking water or distilled water should be mixed with the antifreeze/coolant. Coolant loss should be replenished by a mixture containing the proper concentration of antifreeze and water.

Do not mix different antifreeze/coolants.

Do not use additional rust inhibitors or anti-rust products, as they may not be compatible with the radiator coolant.

**ENGINE DAMAGE CAUSED BY IMPROPER COOLANT USAGE IS NOT COVERED BY THE NEW CAR WARRANTY.**

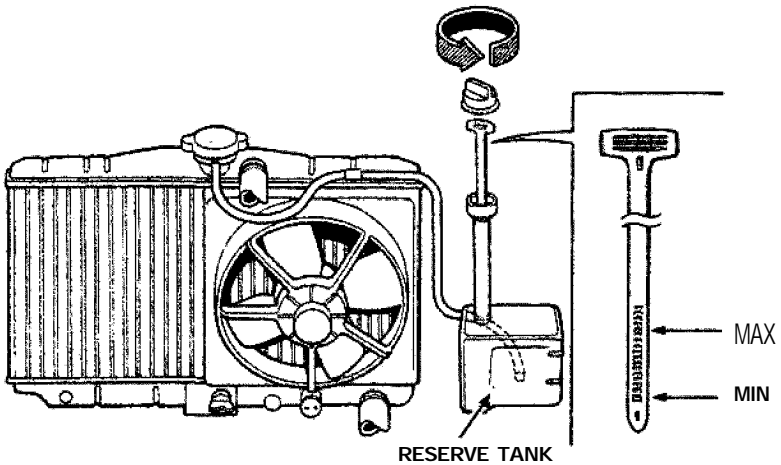
## Checking Coolant

Check the coolant level in the reserve tank when the engine is at normal operating temperature (with the engine off and the car on the level ground), using the dipstick in the reserve tank. Remove the dipstick and wipe it off. Insert the dipstick and remove it. The coolant level should be between the MAX and MIN marks.

### **▲ WARNING**

- **Do not remove the radiator cap when the engine is hot; the coolant is under pressure and could severely scald you.**
- **Keep hands away from the radiator fan. The fan may start automatically without warning and run for up to 15 minutes, even after the engine is turned off.**

- If the level is between the MIN and MAX marks on the dipstick add a 50/50 solution of antifreeze and water to bring it up to MAX.
- If there is no coolant visible on the dipstick, the cooling system should be checked for teaks and repaired if necessary. Coolant must then be added to the radiator.



**CAUTION:**

**Radiator coolant will damage paint. Quickly rinse any spilled coolant from painted surfaces.**

Wait until the engine is cool, then turn the radiator cap counterclockwise until it stops. **DO NOT PRESS DOWN WHILE TURNING THE CAP.** After any remaining pressure has been relieved, remove the cap by pressing down and again turning it counterclockwise. Add enough coolant to fill the radiator, and reinstall the cap. Be sure to tighten it securely. Fill the reserve tank up to the MAX mark with the engine cold.

**Maintenance**

1. Check the freeze protection level of the coolant with a hydrometer.
2. Keep the front of the radiator free of dirt and debris.
3. Check hoses and hose clamps regularly.

(cont'd)

# Cooling System (cont'd)

## Thermostat

The thermostat in the cooling system does not need to be changed for summer or winter operation. However, for extremely cold climates, an optional thermostat is available from your Honda dealer.

## Replacing Coolant

Replace coolant at 36 months or 45,000 miles (72,000 km), whichever comes first. Thereafter, replace every 2 years or 30,000 miles (48,000 km), whichever comes first.

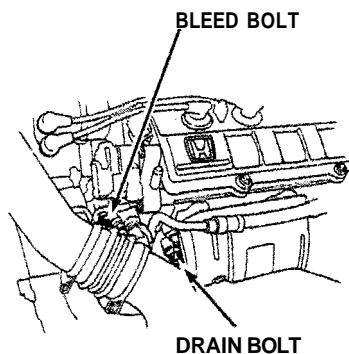
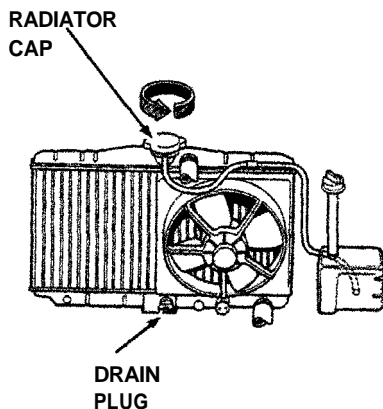
## RADIATOR COOLANT

### REFILL CAPACITY:

(Including reserve tank) 0.75 l (0.198 US gal, 0.165 Imp gal)

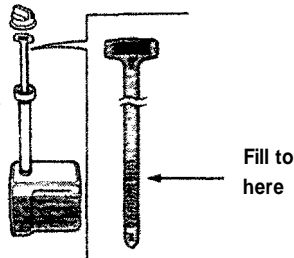
6.15 l (1.625 US gal, 1.353 Imp gal)

1. Set the heater temperature lever to maximum heat.
2. Remove the radiator cap and loosen the drain plug when the radiator is cool, and drain the radiator.

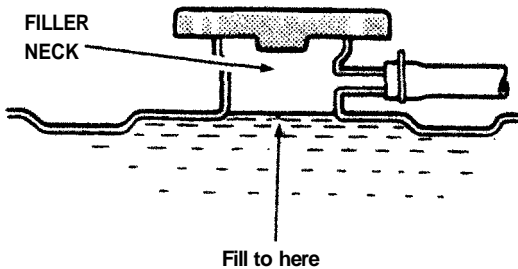


3. Remove the drain bolt from the front side of the cylinder block, and drain the engine and heater.
4. Apply non-hardening sealant to the drain bolt threads, then reinstall the bolt and tighten it securely.
5. Tighten the radiator drain plug securely.

6. Mix the recommended antifreeze with an equal amount of tow-mineral or distilled water and fill the reservoir to maximum, as illustrated.



7. Loosen the air bleed bolt in the thermostat housing, then fill the radiator to the filler neck with the coolant mixture. Tighten the bleed bolt as soon as coolant starts to run out in a steady stream without bubbles.



8. With the radiator cap off, start the engine and let it run until warmed up (fan goes on at least twice). Then, if necessary, add more coolant mix to bring the level back up to the filler neck.
9. Put the radiator cap on, then run the engine again and check for leaks.

# Spark Plugs

---

Spark plugs should be replaced every 24 months or 30,000 miles (48,000 km), whichever comes first.

Recommended spark plugs:

For all normal driving

ZFR5F—11 (NGK) K J16CR — L11 (ND)

For hot climates or continuous high speed driving

ZFR6F—11 (NGK) KJ20CR — L11 (ND)

## **▲ WARNING**

**Keep hands away from the radiator fan. The fan may start automatically without warning and run for up to 15 minutes, even after the engine is turned off.**

## **CAUTION:**

**Never use spark plugs with an improper heat range; they will adversely affect engine performance and durability.**

---

## Spark Plug Replacement

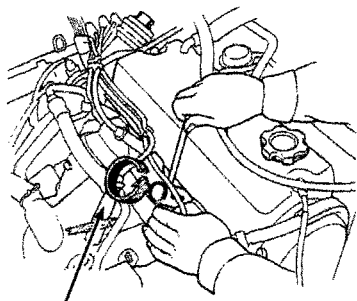
Replace plugs one at a time, so you don't get the wires mixed up.

1. Clean any dirt from around the spark plug base.
2. Disconnect the plug cap, then remove and discard the old plug.
3. Check the gap of the new spark plug before installation.

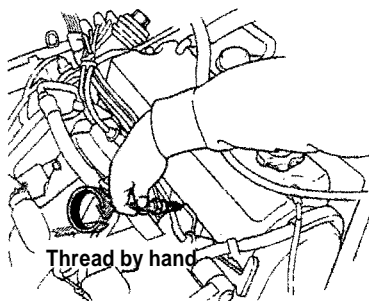
Plug gap should be:

1.1 mm (0.04. in)

4. Thread the new spark plug in by hand to prevent cross-threading.
5. After the plug seats against the cylinder head, tighten 1/2 turn with a spark plug wrench to compress the washer.
6. Reinstall the spark plug cap.



PLUG CAP



Thread by hand

### CAUTION:

**The spark plugs must be securely tightened, but not overtightened. A plug that's too loose can get very hot and possibly damage the engine; one that's too tight could damage the threads in the cylinder head.**

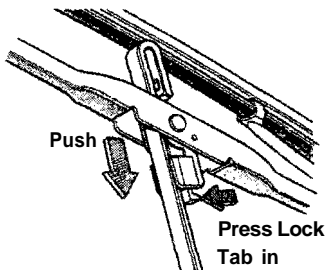


# Wiper Blades

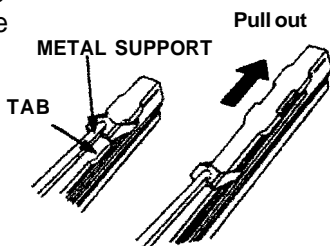
For maximum visibility, replace worn or cracked wiper blades when you notice they do not wipe the windshield cleanly or smoothly.

## To Replace Worn-out Blades

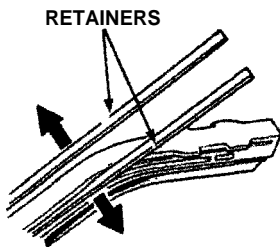
1. Detach the blade assembly from the arm by pressing the lock tab in, then pushing the blade toward the base of the arm.



2. Firmly grasp the end of the blade rubber and pull until the tabs are free of the metal support.

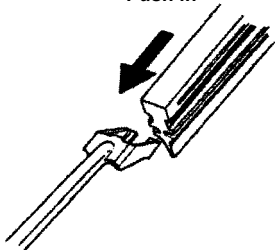


3. Remove the metal retainers from the worn-out blade rubber and put them in a new blade rubber.



4. Insert the new blade rubber from the opposite side of the blade tabs and position the tabs in the metal support.

Push in



5. Reinstall the blade assembly on the wiper arm.

Replace the air filter every 24 months or 30,000 miles (48,000 km), whichever comes first (more often in extremely dusty conditions).

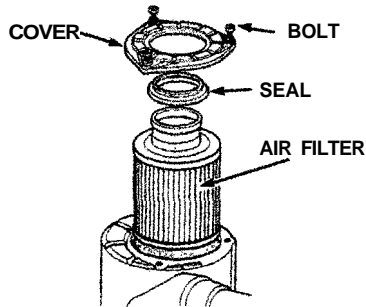
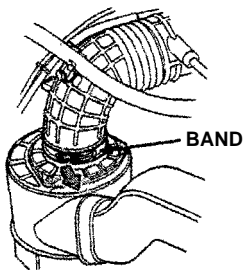
## Replacement

Loosen the air filter band.

Loosen the attaching bolts and remove the filter cover and seal.

Remove the old filter and replace it with a new one, reinstall the seal and cover.

Tighten the bolts.



# Fuel Filters/Clutch Fluid

---

## Fuel Filters

The fuel filter is located in the engine compartment, on the right center of the lower dashboard. It should be replaced at 60,000 miles (96,000 km) or 48 months whichever comes first, or any time you suspect contaminated gas may have clogged it.

### CAUTION:

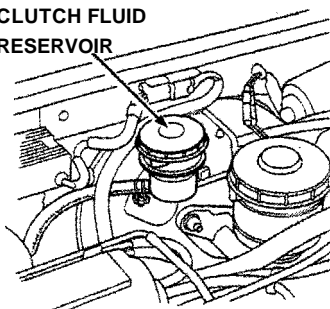
**Because the fuel system is under pressure, the filter should be replaced only by a qualified Honda technician.**

## Clutch Fluid

Check the fluid level in the clutch reservoir periodically; it should be between the MAX and MIN marks on the reservoir.

If the level is near the MIN mark, add fluid to raise it to the MAX mark. Do not overfill. Use only brake fluid manufactured to DOT 3 or DOT 4 specifications from a sealed container. Follow the manufacturer's instructions printed on the can.

CLUTCH FLUID  
RESERVOIR



### NOTE:

A low clutch fluid level may be an indication of clutch fluid leakage. You should have your clutch checked if the clutch fluid level in the reservoir is low.

The power steering on your car provides easy handling while parking and maneuvering in traffic, without loss of road "feel" at highway speeds. An engine-driven hydraulic pump provides full power assist at low speeds and decreasing assist as the car goes faster.

**CAUTION:**

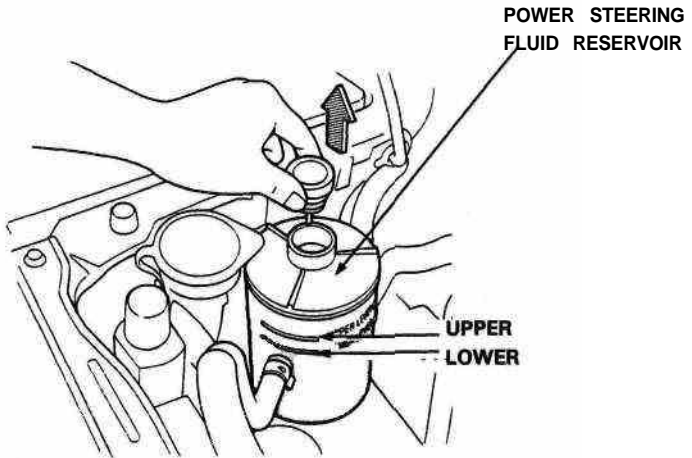
**If the power steering system should fail, or if the engine should stall, the car can still be steered. However, much greater effort will be required, particularly in sharp turns at low speed.**

**NOTE:**

You may feel a slight clunk or knock when turning the wheel with the engine off. This is a normal condition due to the design of the system.

## Power Steering Fluid

Check the power steering fluid level with the engine cold and the car parked on level ground. Make sure the fluid level is between the upper and lower marks on the reservoir. If the level has dropped close to or below the lower mark, check for leaks before adding fluid to the upper mark. Do not overfill.



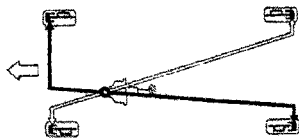
**CAUTION:**

**Use only genuine Honda power steering fluid. The use of other fluids such as A.T.F. or other manufacturer's power steering fluid will damage the system.**

# Brakes

## Brake System Design

The diagonally-separated dual service brake system is designed so half the system will still provide braking action if the other half fails.



Stopping the car after losing the brake fluid from half the system will require more pedal pressure and pedal travel than normal. Also, the distance required to stop will be longer using only half the brake system. If the brakes fail suddenly, downshift to a lower gear for increased engine braking, and pull off the road as soon as possible.

### **▲WARNING**

- **It is dangerous to drive your car with a problem in either the brake electrical or hydraulic system; have your dealer check both systems if you suspect brake trouble.**
- **Do not ride the brakes. In other words, don't put your foot on the brake pedal unless you intend to brake. This causes excessive brake wear and can damage, or lead to loss of braking effectiveness through overheating. Your brake lights may also confuse drivers behind you.**
- **Driving through deep water may affect the brakes. Check their effectiveness by pressing the brake pedal gently. If the car does not slow down at the normal rate, continue gently applying the brakes, while maintaining a safe speed, until they dry out and normal performance returns.**

## Brake Wear

Both front and rear brakes should be inspected for wear at the intervals shown in the Maintenance Schedule on page [80](#).

When the brakes require maintenance, use only genuine Honda replacement parts or their equivalent.

## Brake Wear Indicators

Your car is equipped with audible brake wear indicators. When the brake pads need to be replaced, the wear indicators will make a "screaming" sound or a high pitch chirp.

### **NOTE:**

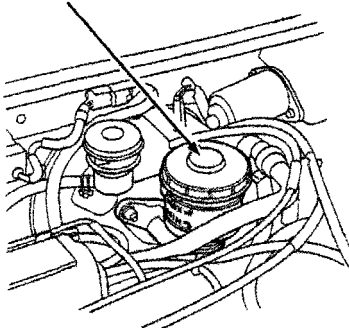
Due to some driving habits or climates, brakes may "squeal" when you first apply them or when you have them partially applied; this is normal, and does not indicate excessive wear. The wear indicator makes a "screaming" sound while the brakes are applied.

## Brake Fluid

Check the fluid level in the brake reservoir periodically; it should be between the MAX and MIN marks on the reservoir.

If the level is near the MIN mark, add fluid to raise it to the MAX mark. Do not overfill. Use only brake fluid manufactured to DOT 3 or DOT 4 specifications (see reservoir cap) from a sealed container. Follow the manufacturer's instructions printed on the can.

BRAKE FLUID RESERVOIR



### NOTE:

A low brake fluid level may be an indication of brake pad wear or of brake fluid leakage. You should have your brakes checked if the brake fluid level in the reservoir is low before re-filling it.

### CAUTION:

**The arrow on the reservoir cap must be pointing forward after the cap is instated. Make sure the brake warning switch wiring doesn't get caught between the cap and top edge of the reservoir.**

## Anti-lock Brake Fluid (Si with Anti-lock Brake System)

Check the fluid level in the Anti-lock brake reservoir periodically.

To check, drive the car for a few minutes to equalize fluid pressure in the system.

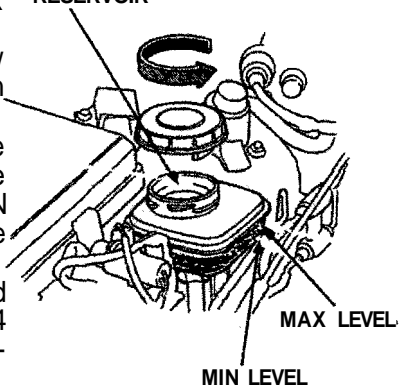
The level should be between the MAX and MIN marks on the reservoir. If the level is near the MIN mark, add fluid to raise it to the MAX mark.

Do not overfill. Use only brake fluid manufactured to DOT 3 or DOT 4 specifications from a sealed container.

Follow the manufacturer's instructions printed on the can.

If the level is more than 10 mm (0.4 in) above the MAX mark, it may indicate a malfunction of Anti-lock brake system. Have an authorized Honda dealer check the system as soon as possible.

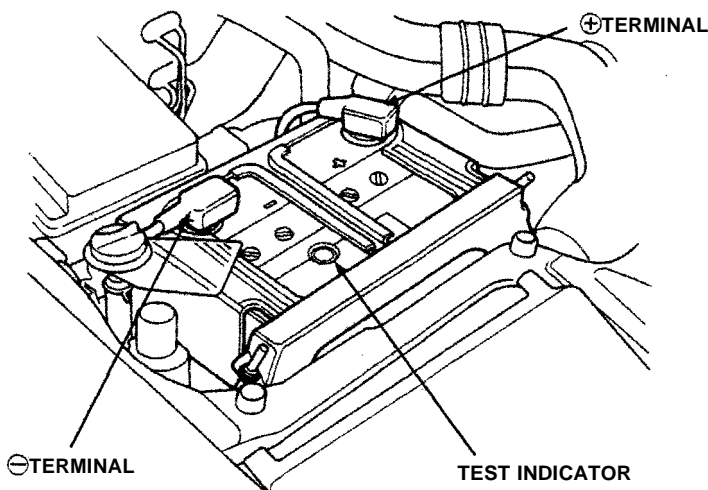
ANTI-LOCK  
BRAKE FLUID  
RESERVOIR



# Battery

The condition of the battery can be determined by checking the test indicator. Service as required according to the label on the battery.

Any corrosion around the positive and negative terminals should be washed off with a solution of baking soda and warm water. Dry the terminals and then coat them with grease.



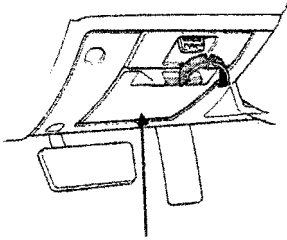
## **▲ WARNING**

- The battery gives off explosive gases; keep sparks, flames and cigarettes away. Provide adequate ventilation when charging or using the battery in an enclosed space.
- The battery contains sulfuric acid (electrolyte). Contact with skin or eyes may cause severe burns. Wear protective clothing and a face shield.
  - If electrolyte gets on your skin, flush with water.
  - If electrolyte gets in your eyes, flush with water for at least 15 minutes and call a physician immediately.
- Electrolyte is poisonous.
  - If swallowed, drink large quantities of water or milk and follow with milk of magnesia or vegetable oil and get immediate medical assistance.

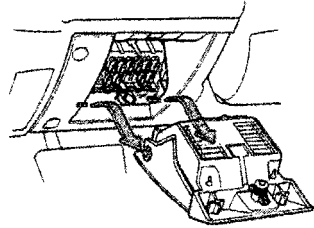
**KEEP OUT OF REACH OF CHILDREN.**

# Fuse Replacement

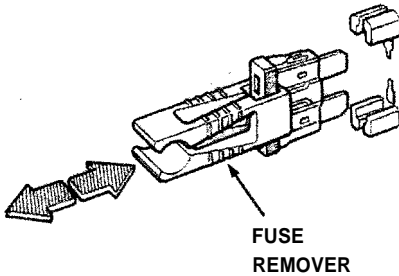
The fuse boxes are located under the dashboard on the driver's side and on the right front fender beside the battery. The circuits protected by each fuse are listed on the plastic sheet in the box.



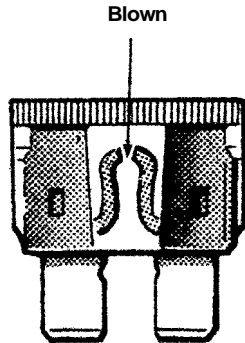
FUSE BOX COVER



If any of your car's lights, accessories, or controls don't work, check their fuses. If a fuse has blown, the wire inside it will be burned through.



FUSE  
REMOVER



Checking the fuses:

1. Turn off the ignition and all other switches.
2. If you find a blown or possibly faulty fuse, use the fuse remover (located inside the fuse box under the dashboard) to pull the blown fuse out of its clips.
3. Check all other fuses as well as the one you suspect.
4. Push in a new fuse of the same rating, and make sure it fits tightly in the clips. If it fits loosely, have your dealer fix it.

If you don't have a spare, take a fuse of the same rating (or lower) out of a circuit you may not need, like the radio or cigarette lighter. Remember to replace the borrowed fuse and the missing spares.

(cont'd)

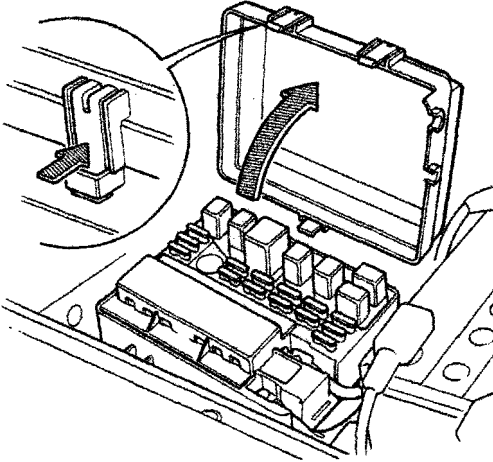


# Fuse Replacement (cont'd)

---

## CAUTION:

A blown fuse may be just a symptom of some other problem. If a new fuse blows right away, the cause should be diagnosed and corrected by a qualified Honda technician. Never replace a fuse with anything but another fuse of the same or lower rating. A higher capacity fuse could cause damage and even start a fire.



The main fuse and some primary fuses are installed in the fuse box on the right front fender in the engine compartment.

MAIN FUSE: (65A) SUNROOF FUSE: (35A)

If the circuits from the battery are ever overloaded (by a short in the system drawing too much current for example) the main or a primary fuse will blow, preventing damage to the entire wiring harness. If the main fuse blows, have a Honda dealer check the system, repair the cause, and replace the fuse.

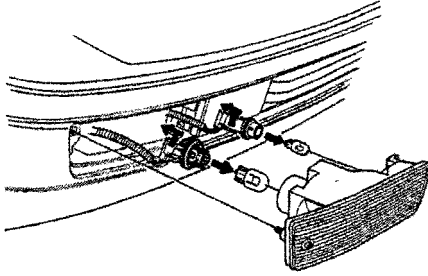
## CAUTION:

- The electrical system is protected by fuses that are designed to fail and prevent damage to the wire harness. Always replace blown fuses with the same rating as specified to prevent wiring damage that can result in a possible fire.
- For proper electrical contact after replacing these fuses, make sure all screws are tight.

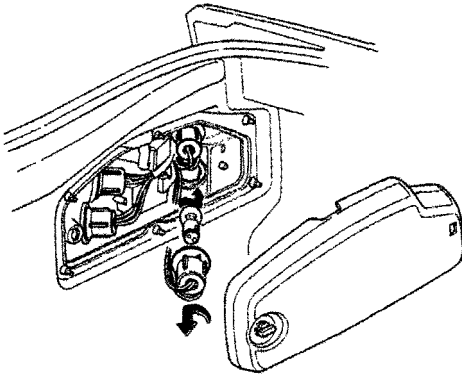
**NOTE:**

See page 130 for bulb specifications.

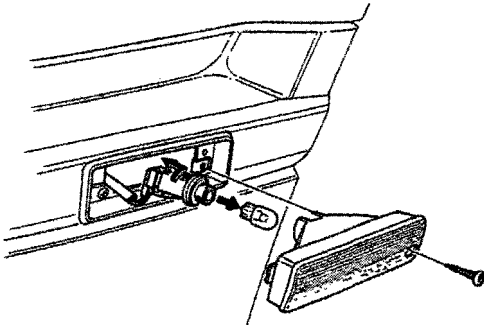
Front turn signal lights, and position lights



Rear side marker, turn signal, brake/taillights and back-up lights



Front side marker/turn signal lights

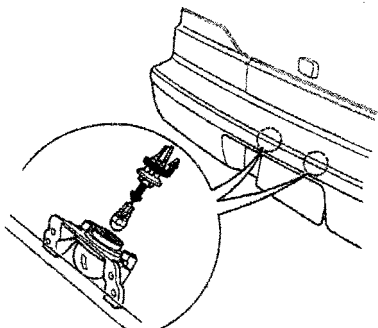


(cont'd)

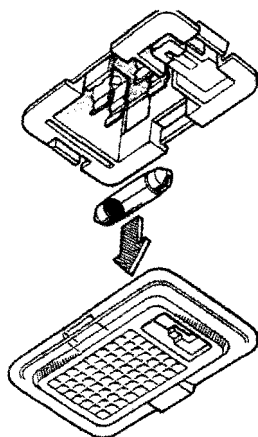
# Bulb Replacement (cont'd)

---

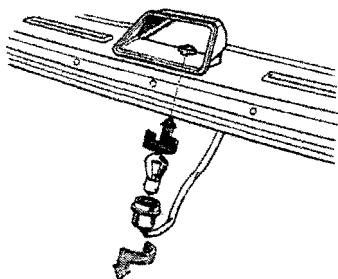
License plate lights



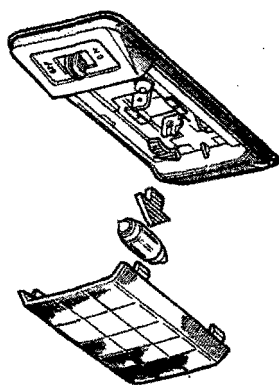
Trunk light



High-mount brake light



Interior light



The factory installed tires on your car were selected to match the car's performance capabilities and to provide the best combination of handling, ride comfort and tread wear.

We recommend that you get the same size, type, and grade of tires when replacement is necessary. If your tires have an all-season tread design, the model name will be followed by the marking: "M + S" (mud and snow) or "all-season".

If you decide not to get the same brand of tires as those originally installed, you should make sure that the replacements are the radial type, of the same size, load range and speed rating as the original tires.

If you have any questions about your car's tires, please contact your Honda dealer.

## **inflation Pressures**

The tire label attached to the edge of the driver's door lists recommended tire pressures for carrying loads up to the limit shown. (Tire pressures are also listed on the back cover of this manual.)

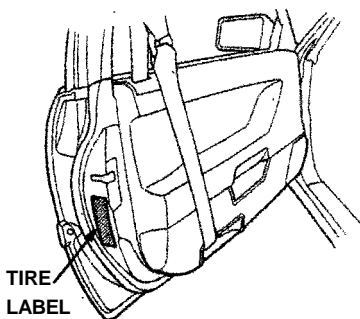
These pressures were chosen to provide you with the best combination of tread life, riding comfort and stability under normal driving conditions.

Improper inflation can reduce both tire life and load carrying capacity. Check the tire pressures at least once a month, including the spare.

Lower pressure than recommended lets the tread and sidewalls flex too much, causing increased tire temperatures, uneven wear, and poor handling. Pressure higher than recommended can make the tire too stiff, increasing the chance of damage from road hazards, and also causing uneven wear.

### **CAUTION:**

- **Check tire pressure when the tires are cold.**  
(After the car has been parked for more than 3 hours or driven less than 1 mile/1.6 km.)
- Tire pressure may increase as much as 41 kPa (6 psi) when the tire is hot, so **NEVER ADJUST** tire pressure when the tires are hot.
- Never inflate load range B tires to more than 220 kPa (32 psi) cold.
- Cars with luggage racks or cartop carriers **DO NOT** have greater load limits than those on the label.



(cont'd)

# Tires (cont'd)

---

## Winter Driving

Tires marked "M + S" or "all season" have an all-weather tread design and should be suitable for most driving conditions. However, snow tires and tire chains may be required under some conditions. If your tires do not have these markings, they may not be suitable for winter driving conditions. We recommend snow tires or tire chains for snow and icy conditions.

## Snow Tires

If you use snow tires, they should be of the same size, construction and load capacity as the original tires on your car. Snow tires must be installed in sets of four, or they may cause poor handling. Driving with snow tires on dry roads can reduce your car's performance during acceleration, turning and stopping.

If you need further information on snow tires, please contact your Honda dealer.

## Tire Chains

Use chains only when you have to. Check with local authorities or Provinces for requirements prior to installing tire chains. Make sure the chains are the right size for your tires. Install them only on the drive wheels of your car, and do so as tightly as possible, following the manufacturer's instructions. If metal chains are used, they must be SAE Class "S." Cable type traction devices can also be used. Drive slowly with chains installed. If you hear the chains contacting your car's body or chassis, stop and tighten them.

### CAUTION:

- **If the contact continues, slow down until it stops or your car can be damaged.**
- **Chains that are the wrong size or improperly installed can damage your car's brake lines, suspension, body, and wheels.**

If you need further information on tire chains, please see your Honda dealer.

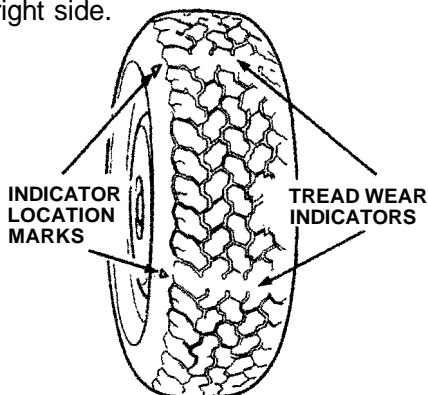
Remove the chains as soon as the road is clear of ice and snow.

## Tire Replacement

Honda recommends that you replace tires in sets of four, or in pairs, front or rear. If you need to replace only one tire, mount the new tire opposite the tire showing the least amount of wear.

For instance, if the left front tire shows the least amount of wear, mount the new tire on the front right side.

The original tires on your car have tread wear indicators to indicate when they should be replaced. The indicators appear as bands about 12.7 mm (1/2 in) wide when the tire tread depth is less than 1.6 mm (1/16 in). When indicators appear across two or more grooves in a row, you should replace the tire.



### **▲ WARNING**

**Driving on worn-out tires is very hazardous, and will reduce braking effectiveness, steering accuracy and traction.**

When replacing tires, use only the recommended tire size. Wheel rim widths and offsets must be those recommended by American Honda Motor Co., Inc. Contact the Zone Office nearest you as shown on the inside of the back cover.

### **▲ WARNING**

**Tires and wheels other than those recommended may be unsafe. Do not mix radial and bias ply tires on the same car.**

## Tire Balancing

### **▲ WARNING**

**Unbalanced tires may affect handling and tire wear. A tire should always be rebalanced after it has been dismantled from the wheel.**

Your original tires were properly balanced before the car left the factory, but may need rebalancing at some time during the life of the tire. Tire balancing for the COMPACT spare is not necessary.

### **CAUTION:**

**Use only genuine Honda aluminum wheel weights if your car is equipped with aluminum wheels. Non genuine Honda wheel weights may corrode and damage the aluminum wheel.**

(cont'd)

# Tires (cont'd)

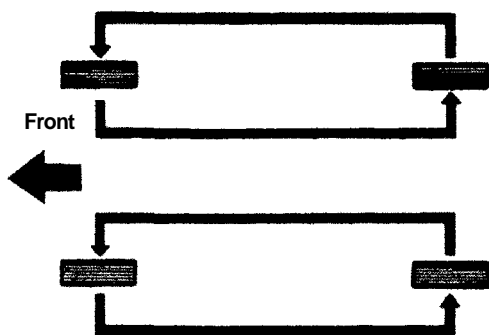
---

## Tire Rotation

Tires may wear unevenly when used for a long time in the same position on the car. To avoid this, rotate the tires every 7,500 miles (12,000 km). If abnormal or uneven wear develops between rotations, the cause should be found and corrected as soon as possible. The illustration shows how the tires can be rotated. The COMPACT spare tire must not be included in tire rotation.

### NOTE:

Brake pads should be inspected for wear whenever the tires are rotated.



## Tire Traction

### ▲ WARNING

Worn tires or slippery road surfaces can reduce driving, cornering and braking traction. To reduce the possibility of losing traction, slow down when the road gets slippery, replace tires when wear indicators are visible, and **KEEP TIRES PROPERLY INFLATED.**

## Condenser and Radiator

Check the engine radiator and the air conditioner condenser (in front of the radiator) for accumulated dirt, insects or leaves. Carefully brush or hose them off to assure maximum cooling performance.

### CAUTION:

Radiator and condenser fins are very thin and easily damaged; do not bend them with the high water pressure or brush.

## Compressor Drive Belt

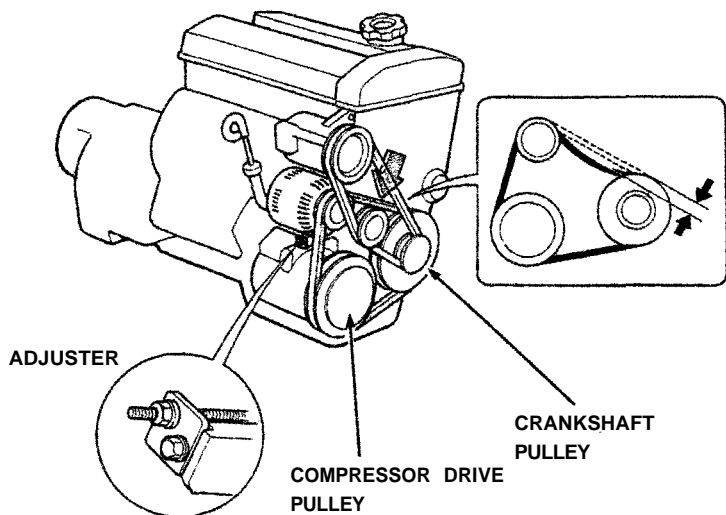
Check the compressor belt tension monthly, during periods when you use the air conditioner a lot.

### ▲ WARNING

If the engine has been running, some engine components may be hot enough to burn you.

When pushed with 98 N (22 lb) of force midway between the compressor drive pulley and the engine crankshaft pulley, the belt should deflect about:

10—12 mm (0.4—0.5 in)



(cont'd)



## **System Maintenance**

Run your air conditioner at least once a week for about ten minutes, even during the off season, to lubricate the seals and the inside of the compressor and, to verify that the system is functional.

If the air conditioner is not cooling properly, it may indicate an undercharged system. Have your dealer check the system for leaks, then evacuate and charge the system with refrigerant 12.

Charging quantity:

850 — 950 g (30.1 — 33.6 oz)

### **CAUTION:**

**Prolonged use of an undercharged system may damage the compressor.**

## Interior Trim

Remove dust and loose dirt with a vacuum cleaner.

Wipe the vinyl with a clean, damp cloth or sponge. Stains can be removed with a commercially available vinyl cleaner.

### CAUTION:

**Do not use thinner, gasoline, kerosene, naphtha or other solvents on the interior. They are toxic, flammable and hazardous and could damage the material you're cleaning.**

## Windows

A 10 to 1 mix of water and white vinegar, or a commercially available glass cleaner may be used to clean windows and to remove the dust film sometimes caused by the ingredients used in interior vinyls and plastics.

### NOTE:

Do not put this solution in the windshield washer reservoir, it will damage the windshield washer pump.

Be careful not to scratch or damage the defogger wires when cleaning the inside of the rear window; wipe the window horizontally along the wires, not up and down.

Dry the windows with a lint-free cloth or paper towel. Keep all the windows clean for maximum visibility.

## Exterior Care

### Waxing

Wax the car when water will no longer "bead" on the paint.

Always wash and dry the car before you wax it.

Use a good quality liquid or paste wax, and follow the manufacturer's instructions. Wax all the metal trim to keep its luster.

### NOTE:

Removing oil, tar, etc., with a spot remover will usually strip the wax from the surrounding finish. Be sure to re-wax these areas even if the rest of the car does not yet need waxing.

## Washing

### NOTE:

Retract the headlights before washing the car. However, make sure the headlight lenses are cleaned periodically.

Rinse all loose dirt off the car by spraying it with lukewarm or cold water. Do not use hot water.

Wash using a soft-bristle brush, sponge or cloth with water containing a mild detergent such as a liquid dishwashing detergent.

Remove oil, tar, tree sap, etc., with tar remover or turpentine.

Remove road salt, insects, etc., with mild detergent and lukewarm water. Any of these substances may damage the finish if left on painted surfaces.

Rinse the car well. Promptly wipe with a chamois or soft towel to prevent water-spotting. Do not let water or soap air-dry on painted surfaces.

During wiping, inspect the surface for stone chips and scratches; paint them with touch-up paint so they won't rust (touch-up paint is available through your Honda dealer).

For further instructions on corrosion protection, refer to the Rust Prevention section on page [115](#).

## Aluminum Alloy Wheels (Si)

### CAUTION:

- **Wash the wheels after driving on snowy or icy roads where salt has been applied.**
- **Avoid off-road driving. Brush, rocks, dirt and severe impact may damage the wheels.**  
Install tire chains carefully. Improperly installed chains can cause damage to the wheels.
- **Honda aluminum wheels are treated with a protective finish. Wash them with a tow-phosphate detergent and sponge. Do not use abrasive cleaners or stiff brushes.**
- **Always install aluminum wheels in sets of four. If mixed with other types, the car's handling may be affected.**

## Rust Prevention

Rusting is likely to occur in parts of the car where water is trapped or where there is continual dampness.

- Water will collect inside doors and body panels if drain holes become clogged.
- Water which seeps under or soaks floor mats will subject floor sections to prolonged wetness or dampness.
- Road dirt or sand, which collects and fills recesses on the underside of the car, retains moisture long after the rest of the car has dried.

The removal of paint and undercoating by stones, gravel, and minor accidents immediately exposes metal to air and moisture.

Rusting is increased by high humidity and by the presence of corrosive substances in the air or on the roads.

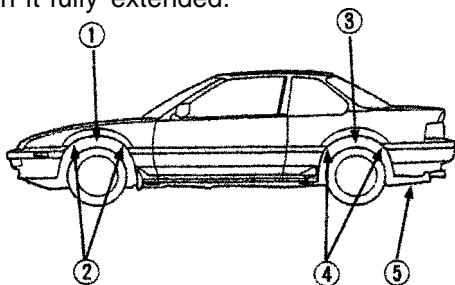
- Salt used for road de-icing will coat the bottom of the car and hasten rusting.
- Localities with high humidity have greater potential for rust problems, especially where salt is also present on the road or in moist sea air.
- Industrial pollution will accelerate the deterioration of paint finishes and promote rusting.

## Preventive Service

Check all drain holes in the doors and body panels for clogging and clear if necessary. When washing your car, also clean the underside of the car by using high pressure water; ① above subframe, ② inside front fender, ③ rear suspension, ④ inside rear wheel housing, and ⑤ under rear bumper.

After washing your car or after heavy rain, check for leaks. White checking for leaks, lift the floor mats in the passenger, cargo and spare tire areas, and check beneath them. Water can collect in these areas and remain unseen for prolonged periods. Dry any wet areas of your car's interior. Remove and dry wet floor mats. Have leaks repaired as soon as possible.

After driving your car, wipe off any road dirt or salt on the radio antenna, with it fully extended.



(cont'd)

# Body Repair

---

## Replacement Body and Fender Parts

if your vehicle incurs body damage and requires replacement parts, we encourage you to use only Genuine Honda sheet metal body and fender parts. Many insurance companies are specifying imitation sheet metal parts for collision repairs in an effort to reduce claim costs; however, if imitation parts are used the following conditions may apply:

- There is no assurance that imitation parts will equal the fit and finish of Genuine Honda sheet metal parts; and in our experience they often do not.
- There is no assurance that imitation parts will resist corrosion as well as Genuine Honda sheet metal parts.
- Imitation sheet metal parts are not covered by the Honda Limited Warranty.

To ensure your continued satisfaction with your Honda vehicle in the event of an accident, contact your insurance adjuster and insist on Genuine Honda parts in the repair of your vehicle.

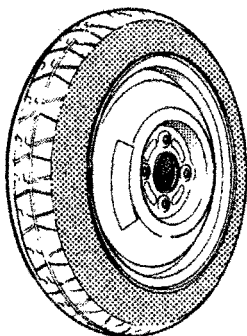
## COMPACT Spare Tire

Your car is supplied with a COMPACT spare tire and wheel for temporary use only in the event of a flat tire. Use the COMPACT spare only when you have to, and only to go as far as the next garage or dealer to have the regular tire repaired and reinstalled.

Because you will rarely use the COMPACT spare, be sure to regularly check its condition and air pressure (415 kPa, 60 psi), so it will be ready when you need it. This type of tire holds less air at higher pressure than a regular tire, so it will inflate (or deflate if there is a leak) more rapidly; check its pressure often and add air gradually if it needs any.

### ▲ WARNING

- The COMPACT spare tire has a different tire size, air pressure requirement, tread life and maximum speed rating than the four regular tires on your car. Disregarding these warnings may result in tire failure, loss of vehicle control and possible injury to vehicle occupants.
- Do not exceed 50 mph (80 km/h) under any circumstances when using the COMPACT spare.
- Do not mount snow chains on the COMPACT spare. They will not fit properly and will damage the tire and possibly your car. If you must use the COMPACT spare when driving on roads covered with snow or ice, use it as one of the rear tires and mount chains only on the front two regular tires.

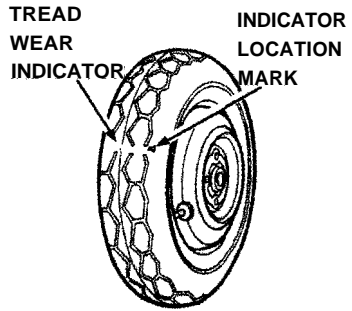


(cont'd)

## Spare Tire (cont'd)

---

- The COMPACT spare tire has a much shorter tread life than regular tires. Replace the tire as soon as tread wear indicators appear as solid bands across the tread. Replace with a tire of exactly the same size and construction.



- The COMPACT spare tire and wheel set was designed especially for your car; do not use it on any other vehicle; do not install any other tire on this wheel which is not identical to the original in size and construction, and do not use the COMPACT spare tire on any other wheel.
- Because the COMPACT spare is smaller in size and higher in air pressure than a regular tire, it will ride more harshly with less ground clearance and may have less traction on some road surfaces. Drive cautiously.

# Changing a Flat Tire

## **▲ WARNING**

**Do not attempt to change a tire unless the car is on firm, level ground and well out of the flow of traffic.**

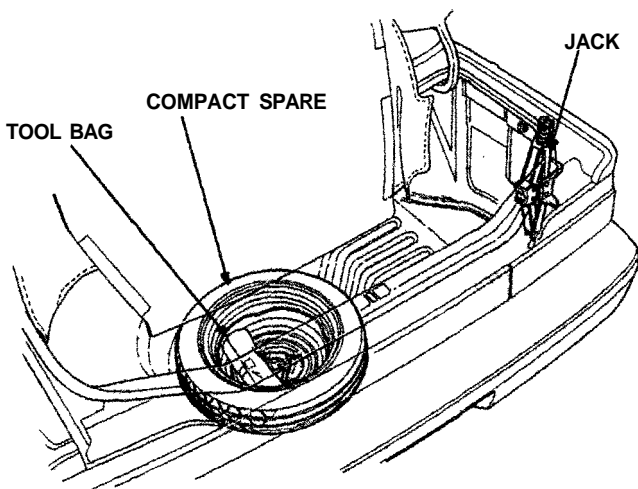
Park the car on a firm, level surface, apply the parking brake, turn on the hazard warning switch and put the transmission in gear (Park for automatic).

1. Remove the jack, lug wrench/jack handle and jack handle extension (in the tool bag) from the location shown.

### **NOTE:**

To remove the jack, release its tension against the mount by turning the screw counterclockwise.

2. Remove the spare tire.
3. Place blocks in front and back of the wheel diagonally opposite the tire you are changing.



(cont'd)



# Changing a Flat Tire (cont'd)

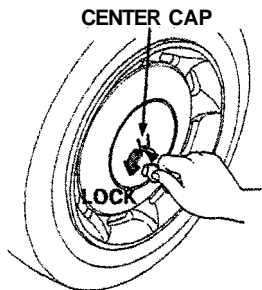
## 4. (2,0 Si)

Remove the center cap from the wheel cover by turning the lock to 90°.

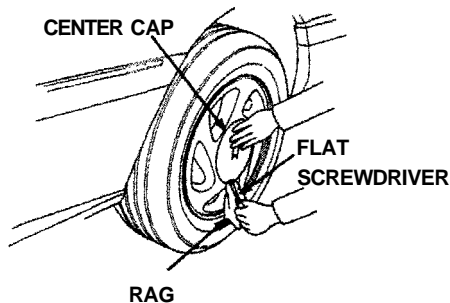
(Si)

Remove the center cap from the wheel by prying it out with a common flat screwdriver (not provided in the tool bag).

(2.0 Si)



(Si)



**CAUTION:**

**(On the Si model)**

**Hold the center cap with your hand then pry it off using a rag to protect the cap and the wheel.**

5. Use the lug wrench to loosen the wheel lug nuts counterclockwise one-half turn.

### **▲ WARNING**

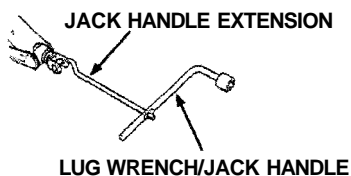
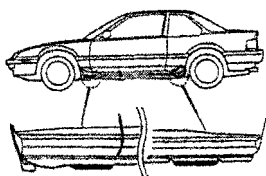
**Follow tire changing preparations and procedures carefully to reduce the possibility of injury. The jack is designed for changing tires only. STAND CLEAR, DO NOT get under the car and DO NOT run the engine when the car is supported only by the jack.**

6. Place the jack under the jack point nearest the wheel you are removing; align the jack head so the car frame will fit in the recess as you raise the jack.

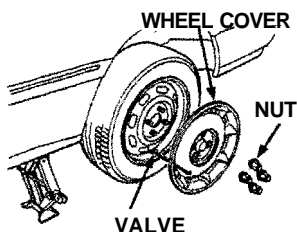
### **▲ WARNING**

**To reduce the possibility of injury, be sure to use the jack provided with the car and the correct jacking points; never use any other part of the car for jack support.**

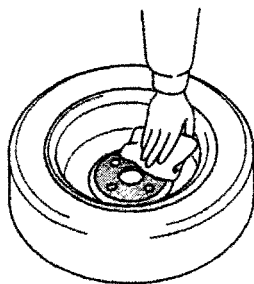
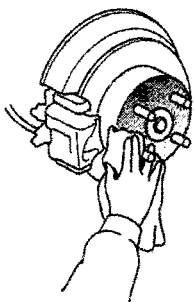
7. Set the jack handle extension in the connector on the end of the jack and install the lug wrench/jack handle. Turn the lug wrench/jack handle clockwise until the tire is slightly off the ground.



8. Remove the lug nuts, wheel cover and wheel.  
(Wheel cover is equipped with 2.0 Si model)



9. Everytime you install the wheel on the brake hub, use a rag to wipe any dirt off the mounting surface of the hub and the wheel. This will assure a tight, even contact between the wheel and hub.

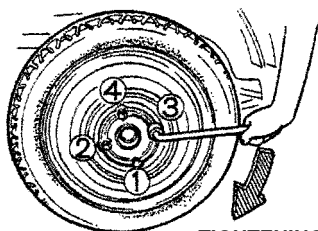


10. Install the spare, and lug nuts hand tight.

(cont'd)

## Changing a Flat Tire (cont'd)

11. Lower the car, remove the jack, then tighten the lug nuts securely in an "X" pattern as shown.



### TIGHTENING TORQUE

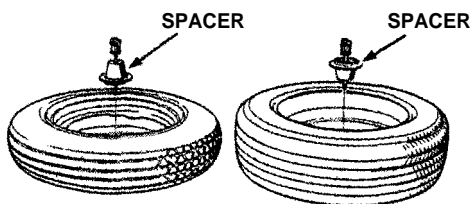
110 N.m (11 kg-m, 80 lb-ft)

12. Tighten the lug nuts to the recommended torque is:  
110 N.m (11 kg-m, 80 lb-ft)  
If a torque wrench was not used, ask an authorized Honda dealer to verify the torque as soon as possible.
13. Stow the damaged tire in the trunk.
14. Repair or replace the damaged tire as soon as you can, reinstall it in its original position, then put the spare back in the car.

### CAUTION:

**Always stow the jack, tools and tire securely to prevent them from becoming dangerous projectiles in an accident.**

15. Secure the tire and the spacer as shown in the illustration.  
(Except for Si with Anti-lock Brake System)



COMPACT SPARE

DAMAGED TIRE

To start a car with a dead battery, use another battery of the same voltage, and the proper jumper cables.

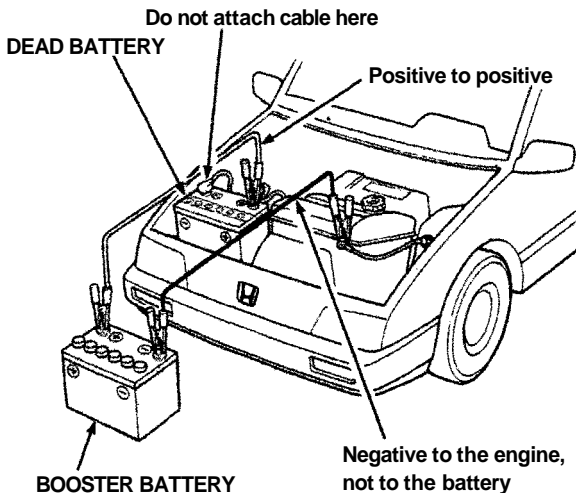
## ⚠ WARNING

- Procedures other than those below could cause injury or damage from battery acid spray, explosion or charging system overload.
- Never connect the jumper cable directly to the negative post of the "dead" battery.
- Never allow the two cars to touch each other.
- Never allow the jumper cable clamps to touch each other.
- Never lean over the battery when making connections.
- Never attempt to jump start a vehicle with a frozen battery. The battery could rupture and explode. If you suspect a frozen battery, remove the vent caps and check the fluid. If there seems to be no fluid, or if you see ice, do not attempt a jump start until the fluid thaws.

## CAUTION:

If jumper cables are connected backwards, the car's main fuse may blow.

1. Turn off all lights, heater and other electrical loads, set the parking brake, and shift the transmission to Neutral or Park.
2. Use one cable to connect the positive terminal of the booster battery to the positive terminal of the "dead" battery.



(cont'd)

## Jump Starting (cont'd)

---

3. Use the other cable to connect the negative terminal of the booster battery to the engine at the ground cable as shown,
4. To remove the cables, reverse the above procedures exactly.

### **▲ WARNING**

**DO NOT push or tow a car to start it. The forward surge when the engine starts could cause a collision. Also, under some conditions, the catalytic converter could be damaged. A car equipped with an automatic transmission cannot be started by pushing or towing.**

### **NOTE:**

(Si with Anti-lock Brake System)

After jump-starting the car, there is a possibility that the Anti-lock brake system warning light may come on due to insufficient battery voltage. After the battery is sufficiently recharged and the engine is turned off and restarted, the Anti-lock brake system warning light should indicate that the Anti-lock brake system is OK, by coming on for a few seconds each time the engine is started. If the light remains on after recharging, have it checked by a Honda dealer.

If towing is necessary, contact a professional towing service. Your authorized Honda dealer can assist you with detailed towing instructions.

## **▲ WARNING**

**Never use tow chains or rope to tow a car; your ability to safely control the car may be adversely affected.**

We recommend the following:

**Flat Bed Equipment** — Entire car is winched on a flat bed vehicle. This is the best way of transporting your Honda.

**Wheel Lift Type** — Tow with the front wheels off the ground.

If the car can only be towed with the front wheels on the ground: make sure the transmission is full of fluid (see pages 88 — 89 ) and tow with the transmission in neutral (N) and the ignition key in the I position.

## **CAUTION:**

**To avoid serious damage on automatic transmission cars, first start the engine and shift to D, then to N and shut the engine off. If the engine does not run or the transmission cannot be shifted while the engine is running, the car must be transported on flat bed equipment.**

Check local regulations for towing.

## **CAUTION:**

- **Do not exceed 35 mph (55 km/h) or tow for distances of more than 50 miles (80 km).**  
if a sling type tow is used, the tow truck driver should position wood spacer blocks between your car's frame and the chains and lift straps to avoid damaging the bumper and the body.
- **Do not use the bumpers to lift the car or to support the car's weight while towing.**
- **When towing a car with 4WS even with the front wheels off the ground, turn the wheels straight ahead and tie the steering wheel in place.**

## **If Your Car Gets Stuck**

---

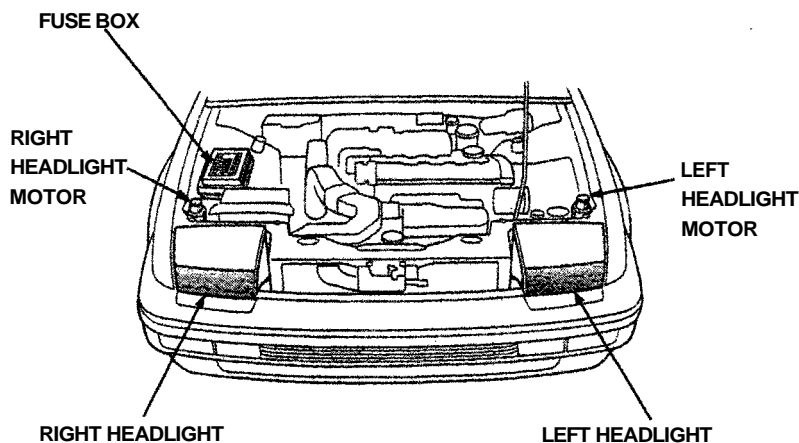
If your car gets stuck in sand, mud, or snow, call a professional towing service for assistance in getting your car out.

### **CAUTION:**

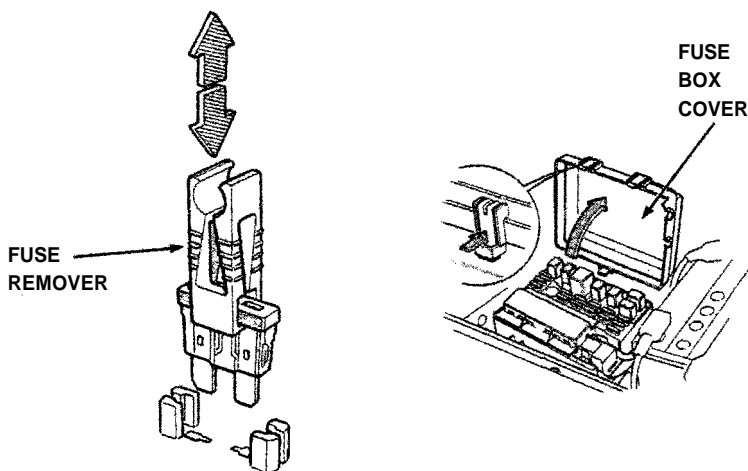
- **Do not rev up the engine and allow the wheels to spin freely at high speed. Severe transmission damage may result if the wheels are allowed to spin for more than a few seconds.**
- **DO NOT try to free a car with automatic transmission from snow, etc. by rocking the car alternately between forward and reverse gears. Severe transmission damage may result from shifting into gear with the wheels moving.**

Proceed as follows if either headlight motor fails to operate:

1. Lift the hood and remove the cover from the engine compartment fuse box.



2. Use the label on the fuse box cover to locate the fuse for the headlight motor that doesn't work. Remove the fuse with the fuse remover located in the fuse box under the dashboard.

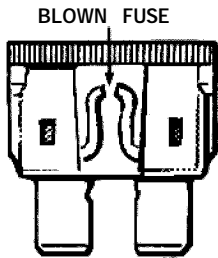


(cont'd)



## Headlight Motors (cont'd)

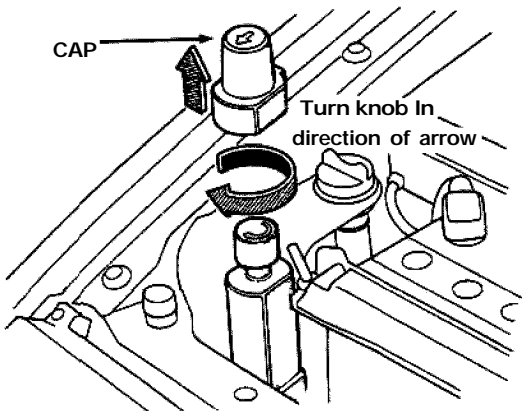
- If the fuse has blown, replacing it with a new fuse of the same amperage should allow the motor to work. However, if the fuse hasn't blown, or if a new fuse did not solve the problem, remove the fuse and operate the headlight motor manually.



### CAUTION:

**Always remove the fuse before manually operating a headlight motor, otherwise the motor may suddenly activate.**

- Remove the cap from the top of the headlight motor, then turn the knob in the direction of the arrow (clockwise) until the headlight is as far up or down as it will go.



### NOTE:

If foreign matter is the cause of the motor malfunction, it can usually be dislodged by turning the knob counterclockwise.

- Replace the cap properly.
- Reinstall the fuse and fuse box cover and have the headlight motor inspected at the earliest opportunity.

## Dimensions

Length		4,510 mm (177.6 in)
Width		1,710 mm (67.3 in)
Height		1,295 mm (51.0 in)
Wheelbase		2,565 mm (101.0 in)
Track	Front	1,480 mm (58.3 in)
	Rear	1,470 mm (57.9 in)

## Weight

Gross Vehicle Weight Rating	See the Certification label attached to the driver's door jamb.
-----------------------------	---

## Capacities

Fuel tank		60 ℓ (15.9 US gal , 13.2 Imp gal)	
Radiator coolant	5 speed	Change* <sup>1</sup>	6.15 ℓ (1.625 US gal , 1.353 Imp gal)
	transmission	Total	7.8 ℓ (2.06 US gal , 1.72 Imp gal)
Automatic	transmission	Change* <sup>1</sup>	6.15 ℓ (1.625 US gal , 1.353 Imp gal)
		Total	7.8 ℓ (2.06 US gal , 1.72 Imp gal)
Engine oil		Change* <sup>2</sup>	3.8 ℓ (4.0 US qt , 3.3 Imp qt)
		Total	4.7 ℓ (5.0 US qt , 4.1 Imp qt)
5 speed	transmission oil	Change	2.1 ℓ (2.2 US qt , 1.8 Imp qt)
		Total	2.2 ℓ (2.3 US qt , 1.9 Imp qt)
Automatic	transmission fluid	Change	2.8 ℓ (3.0 US qt , 2.5 Imp qt)
		Total	6.2 ℓ (6.6 US qt , 5.5 Imp qt)
Windshield washer fluid reservoir		2.5 ℓ (2.6 US qt , 2.2 Imp qt)	

\*1 Including the coolant in the reserve tank (0.75l/0.79US qt/0.66 Imp qt) but excluding that remaining in the engine.

\*2 Excluding the oil remaining in the engine, but including that remaining in the oil filter.

## Tires

Size/Pressure	See the tire label attached to the edge of the driver's door.
---------------	---

# Specifications (cont'd)

## Engine

Type		Water cooled 4—stroke DOHC gasoline engine
Bore x Stroke	2.0 Si	81x95mm(3.19x3.74in)
	Si	83x95mm(3.27x3.74in)
Displacement	2.0 Si	1,958 cm <sup>3</sup> (119.4 cu-in)
	Si	2,056 cm <sup>3</sup> (125.4 cu-in)
Compression ratio	2.0 Si	9.0:1
	Si	9.4:1
Spark plug		See spark plug maintenance section page 94.

## Alignment

Toe-in	Front	0 mm (0.0 in)
	Rear	IN 2 mm (0.1 in)
Camber	Front	0°
	Rear	-20'
Caster	Front	2° 20'

## Battery

Capacity	12V — 65AH
----------	------------

## Fuses

In the fuse box	See the fuse label attached to the inside of the fuse compartment door under the dashboard.
In the relay box	See the fuse label attached to the relay box cover under the hood.

## Lights

Headlights	Low/High	12V — 65/35W(2BI)
Front turn signal		12V — 32CP
Front position lights		12V — 5W
Rear turn signal		12V — 45CP
Stop/Tailights		12V — 32/2CP
Side marker lights	Front	12V — 3CP
	Rear	12V — 3CP
Back-up lights		12V — 45CP
High-mount brake lamp		12V — 32CP
License plate lights		12V — 8W
Interior light		12V — 8W
Trunk light		12V — 3.4W

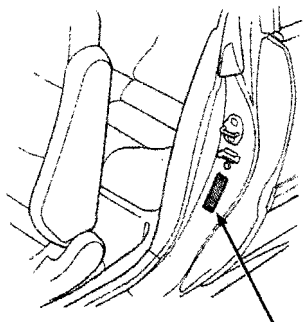
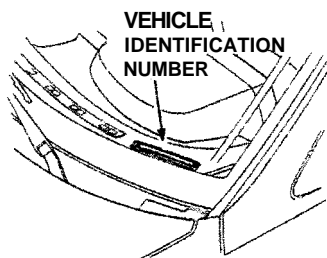
# Identification Numbers

The **Vehicle Identification Number (V.I.N.)** is stamped on a plate attached to the top left side of the dashboard.

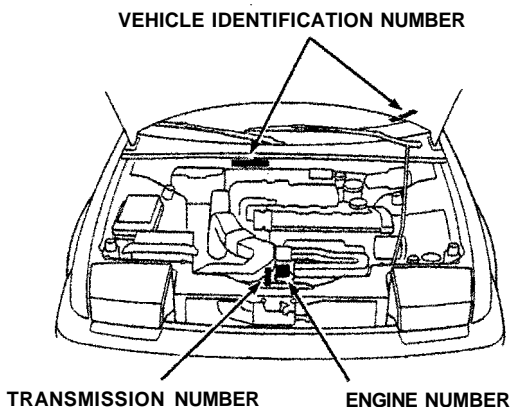
It also appears on the Certification label attached to the door jamb, as well as under the hood on the body, directly behind the air cleaner.

**NOTE:**

The V.I.N. is also provided in bar code on the Certification label.



CERTIFICATION LABEL



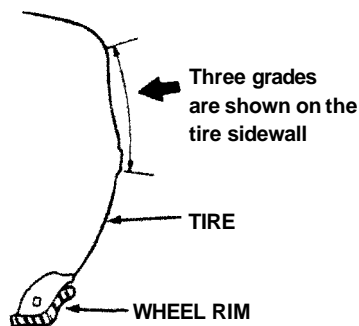
The **Engine Number** is stamped on the right front side of the engine block.

The **Transmission Number** appears on a label on the top edge of the transmission where it attaches to the engine.

# DOT Tire Quality Grades

---

The tires on your car meet Federal Safety Requirements. All tires are also "graded" according to Department of Transportation (DOT) standards for tread wear, traction and temperature.



## Tread Wear

The tread wear grade is a comparative rating based on the wear rate of the tire when tested under controlled conditions on a specified government test course. For example, a tire graded 150 would wear one and one half (1-1/2) times as well on the government course as a tire graded 100.

The relative performance of tires depends upon the actual conditions of their use, however, and may depart significantly from the norm due to variations in driving habits, service practices and differences in road characteristics and climate.

## Traction

The traction grades, from highest to lowest, are A, B, and C, and they represent the tire's ability to stop on wet pavement as measured under controlled conditions on specified government test surfaces of asphalt and concrete. A tire marked C may have poor traction performance.

### **▲ WARNING**

**The traction grades assigned are based on braking (straight ahead) traction tests and do not include cornering (turning) traction.**

---

## Temperature

The temperature grades are A (the highest), B and C representing the tire's resistance to the generation of heat and its ability to dissipate heat when tested under controlled conditions on a specified indoor laboratory test wheel. Sustained high temperature can cause the material of the tire to degenerate and reduce tire life, and excessive temperature can lead to sudden tire failure. The grade C corresponds to a level of performance which all passenger car tires must meet under the Federal Motor Vehicle Safety Standard No. 109. Grades B and A represent higher levels of performance on the laboratory test wheel than the minimum required by law.

### **▲ WARNING**

**The tire temperature grade is established for a tire that is properly inflated and not overloaded. Excessive speed, underinflation, or excessive loading, either separately or in combination, can cause heat buildup and possible tire failure.**

# Emission Controls

---

## Sources of Emissions

The combustion process produces carbon monoxide, oxides of nitrogen and hydrocarbons. The evaporation of fuel in the fuel tank also produces hydrocarbons. Control of oxides of nitrogen and hydrocarbons is very important since, under certain conditions, when subjected to sunlight, they react to form photochemical smog. Carbon monoxide does not react to form smog, but it is toxic.

Honda Motor Co., Ltd. has developed a number of systems which are highly effective in reducing carbon monoxide, oxides of nitrogen and hydrocarbons.

## The Clean Air Act

The Clean Air Act requires all vehicle manufacturers to explain in writing, the operation and maintenance of their emission control systems.

Maintenance instructions are included on pages [78](#) — [83](#) ; the operation of each system is explained on the following.

## Replacement Parts

The emission control systems on your new Honda were designed, built and certified to conform with the Federal regulations implementing the Clean Air Act, Honda recommends only the use of new, genuine Honda parts or their equivalent. The use of other replacement parts which are not of equivalent quality may impair the effectiveness of your car's emission control systems.

## Crankcase Emission Control System

To prevent crankcase emissions, your car is equipped with a Positive Crankcase Ventilation (PCV) System which routes blowby gases from the crankcase, through the PCV valve and intake manifold, into the combustion chamber.

---

## **Evaporative Emission Control System**

The Evaporative Emission Control System is designed to prevent fuel vapors from escaping into the atmosphere.

Fuel vapors from the fuel tank are directed into the charcoal canister where they are adsorbed and stored while the engine is stopped or idling. When the coolant temperature rises to a certain value, the vapors are drawn into the engine through the throttle body and the intake manifold during normal engine operation.

## **Engine Exhaust Controls**

The engine exhaust emission control systems are designed to control combustion during idle, acceleration, cruise, and deceleration. These systems are entirely separate from the crankcase and evaporative emission control systems described previously.

- **HONDA PGM-FI System**

The PGM-FI system consists of three independent sub-systems; Air Intake, Electronic Control and Fuel Control, thus allowing more accurate control of air/fuel ratios under all operating conditions. The Electronic Control Unit (ECU) detects the amount of air drawn into the cylinders and determines the amount of fuel to be injected to provide the optimum air/fuel ratio for all engine needs.

- **Ignition Timing Control System**

This system automatically controls the ignition timing to reduce the amount of HC and NO<sub>x</sub>,

- **Exhaust Gas Recirculation (EGR)**

The EGR system is designed to control the formation of oxides of nitrogen (NO<sub>x</sub>) caused when fuel mixture burns at high temperature. It works by recirculating exhaust gas through the EGR valve and intake manifold into the combustion chambers where it reduces peak temperature by diluting the air/fuel mixture.

- **Catalytic Converter**

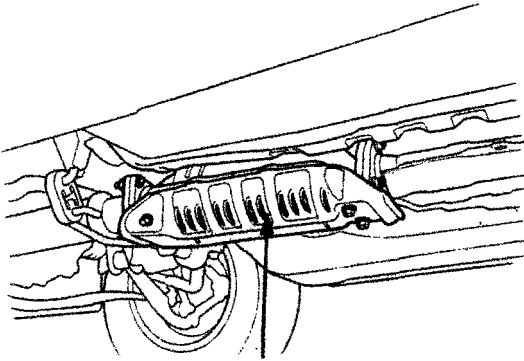
The catalyst is used to convert hydrocarbons (HC), carbon monoxide (CO) and oxides of nitrogen (NO<sub>x</sub>) in the exhaust gas, to carbon dioxide (CO<sub>2</sub>), dinitrogen (N<sub>2</sub>) and water vapor.



# Catalytic Converter

---

A catalytic converter is installed in the exhaust system to help clean-up the harmful exhaust gases that can cause air pollution.



CATALYTIC CONVERTER

To be effective, the converter must work at high temperature, so don't park your car over dry grass, leaves or anything else that could burn easily.

To stay effective, the converter must not be contaminated by leaded gasoline; use only unleaded gas as explained on page [57](#) .

## CAUTION:

**The converter can be overheated and damaged if it's fed too much unburned fuel mixture from the engine, so:**

- Don't push or tow the car to start it; if the battery is dead, jump start the car as shown on page [123](#) .
- Don't turn the key off while the engine is running above idle speed.
- Don't change the ignition timing, or remove any emission control parts.
- Use only the spark plugs specified in this manual.
- Don't keep driving your car if it isn't running properly, or if its CHARGE warning light comes on; have it checked by your Honda dealer.

## Warranty

The following warranties are provided with every new vehicle:

1. New Car Limited Warranty
2. Emission Control Systems Defects Warranty
3. Emission Performance Warranty
4. Original Equipment Battery Limited Warranty
5. Rust Perforation Limited Warranty
6. Accessory Limited Warranty
7. Replacement Parts Limited Warranty
8. Replacement Muffler Lifetime Limited Warranty
9. Seat Belt Limited Warranty
10. Replacement Battery Limited Warranty

Your car's original tires are covered by their manufacturer. Tire warranty information is in a separate booklet.

All warranty details pertaining to your car can be found in the Warranty booklet provided with your new car except the required maintenance schedule which is contained here in the Owner's Manual.

If you are unable to obtain warranty service or are dissatisfied with the warranty decision or service you received at an authorized Honda dealership, you should review the matter with that dealership's Service Manager. This will normally resolve your problem. If it does not resolve your problem you should appeal the decision with the owner of the dealership. Please bear in mind that your problem will likely be resolved at the dealership, using the dealer's facilities, equipment and personnel. So it is very important that your initial contact be with the dealer or his management.

After following these steps, if you wish to have the matter reviewed by American Honda you should contact the Zone Office serving your area, as shown on the map on the inside of the back cover. When contacting American Honda, please provide the Zone Office with the following information:

- Vehicle Identification Number
- Servicing Dealer Name and Address
- Date of Purchase
- Mileage on your Car
- Your Name, Address, and Phone Number
- Nature of Problem
- Selling Dealer

After a review of the facts, you will be advised of what can be done.

## Reporting Safety Defects

---

If you believe that your vehicle has a defect which could cause a crash or could cause injury or death, you should immediately inform the National Highway Traffic Safety Administration (NHTSA) in addition to notifying American Honda Motor Co., Inc.

If NHTSA receives similar complaints, it may open an investigation, and if it finds that a safety defect exists in a group of vehicles, it may order a recall and remedy campaign.

However, NHTSA cannot become involved in individual problems between you, your dealer, or American Honda Motor Co., Inc.

To contact NHTSA, you may either call the Auto Safety Hotline toll-free at 1-800-424-9393 (or 366-0123 in Washington, D.C. area) or write to:

NHTSA, U.S. Department of Transportation

Washington, D.C. 20590.

You can also obtain other information about motor vehicle safety from the Hotline.

- A**
- Air Conditioner
    - Operation..... 45
    - Service ..... 111
  - Air Filter..... 97
  - Air Pressure, Tires ..... 107
  - Aluminum Alloy Wheels..... 114
  - Antifreeze
    - .....See "Radiator coolant"
  - Anti-lock Brake System..... 20
    - Anti-lock Brake System
      - Warning Light ..... 26
    - Anti-lock Brake Fluid..... 101
  - Anti-theft Steering Column Lock
    - System..... 60
  - Appearance Care ..... 113
  - Ashtrays..... 40
  - Audio System ..... 49
  - Automatic Transmission
    - Driving Technique ..... 70
    - Fluid ..... 89
    - Operation..... 69
    - Shift Lever Position
      - Indicator..... 23
- B**
- Battery
    - Charging System Warning
      - Light..... 25
    - Jump Starting ..... 123
    - Maintenance..... 102
    - Specification ..... 130
  - Beeper System
    - Fasten Seat Belt Beeper ..... 14
    - Key Reminder ..... 60
    - Light Reminder Chime ..... 32
  - Belts, Seat .....See "Seat Belts"
  - Brake Lamp Warning Light ..... 27
  - Brakes
    - Anti-lock Brake System ..... 20
    - Anti-lock Brake System
      - Warning Light ..... 26
    - Anti-lock Brake Fluid..... 101
    - Brake Failure Warning
      - Light ..... 25
    - Brake Fluid..... 101
    - Brake System Design ..... 100
    - Brake Wear ..... 100
    - Brake Wear Indicators ..... 100
    - Parking Brake ..... 41
    - Parking Brake Warning
      - Light..... 25
  - Break-In Period ..... 2
  - Bulb
    - Replacement..... 105
    - Specification..... 130
  - Buzzer .....See "Beeper System"
- C**
- Capacities..... 129
  - Care and Cleaning..... 113
  - Catalytic Converter ..... 136
  - Certification Label ..... 131
  - Chains, Tires..... 108
  - Child Restraint System ..... 16
  - Cigarette Lighter..... 40
  - Clock..... 39
  - COMPACT Spare Tire ..... 117
  - Coolant Temperature Gauge ..... 22
  - Cooling(with A/C) ..... 46
  - Cooling System..... 90
  - Crankcase Emission Control
    - System ..... 134
  - Cruise Control
    - Operation..... 37
    - Indicator..... 24
- D**
- Defogger..... 30
  - Defroster..... 47
  - Dimmer Switch, Headlights..... 33
  - Doors
    - Locks..... 3
    - Warning Light ..... 27
- E**
- Emergency
    - Changing Flat Tire ..... 119
    - Hazard Warning System ..... 35
    - If the Retractable Headlights
      - do not operate..... 127
    - If the Sunroof Won't
      - Close ..... 56
    - If Your Car Gets Stuck..... 126
    - Jump Starting ..... 123
    - Towing ..... 125
    - Warning and Indicator
      - Lights..... 23

(cont'd)

# Index (cont'd)

Emission Controls .....	134
Engine	
Coolant .....	90
Coolant Temperature	
Gauge.....	22
Identification Number.....	131
Oil and Filter .....	85
Oil Pressure Warning	
Light.....	24
Specification.....	129
Exhaust Controls .....	135
Engine Exhaust Gas Warning	
.....	66
Evaporative Emission Control	
System .....	135
Exhaust Gas Recirculation.....	135
Exterior Care.....	113
<b>F</b>	
Filters	
Air .....	97
Engine Oil .....	86
Fuel.....	98
Fluid .....	See "Oil"
Foreign Countries,	
Operation in .....	58
Four Wheel Steering .....	61
Front Seat	
Adjustment.....	5
Fuel	
Filler Door and Cap.....	58
Fuel Reserve Warning	
Light.....	24
Gauge.....	22
Gasohol.....	57
Gasoline.....	57
Requirement.....	57
Ffter.....	98
Fuse	
Checking and Replacing .....	103
Specification.....	130
<b>G</b>	
Gasoline.....	See "Fuel"
Gas Station Information	
.....	back cover
Gauges.....	22
Glove Box.....	41

## H

Hazard Warning	
Indicator Light .....	23
Hazard Warning System .....	35
Headlights	
Flasher.....	33
Headlight Motor Switch .....	34
High Beam Indicator.....	23
High Beam/Low Beam	
Switch.....	33
If the Retractable Headlights	
do not operate.....	127
Reminder Chime.....	32
Retractable Headlight Motor	
Warning Light .....	27
Switch.....	32
Headlight High Beam Indicator	
Light.....	22
Head Restraints.....	8
Heating.....	47
High Beam	
Switch.....	33
Indicator Light .....	23
Hood Latch .....	41

## I

Identification Numbers.....	131
Ignition	
Keys .....	3
Switch.....	60
Indicator Lights.....	22
Inflation Pressures, Tire.....	107
Instrument Panel.....	21
Instrument Panel Brightness	
Control .....	35
Interior light .....	35
Interior Trim Care .....	113

## J

Jack .....	119
Jump Starting .....	123

<b>K</b>	
Keys	
Door Locks .....	3
Glove box .....	41
Trunk Lid Lock .....	4
Ignition.....	60
Key Reminder Beeper .....	60
Keys.....	3
<b>L</b>	
Lap/Shoulder Belts	
.....See "Seat Belts"	
Light	
Bulb Replacement .....	105
Fuse Replacement.....	103
Light Reminder Chime .....	32
Operation .....	32
Warning and Indicator Light	
.....	23
Locks	
Fuel Filter Door.....	58
Doors.....	3
Glove Box .....	41
Trunk Lid.....	4
Anti-theft Steering Column	
Lock.....	60
Lumbar Support,Driver's .....	7
<b>M</b>	
Maintenace Schedule and	
Records.....	78
Manual Transmission	
Maximum Allowable Speeds	
.....	68
Oil.....	88
Recommended Shift Speeds	
.....	68
Shifting.....	67
Meters, Gauges.....See "Gauges"	
Mirrors	
Power Mirrors .....	31
Rear View Mirrors .....	31
<b>N</b>	
Numbers, Identification.....	131
<b>O</b>	
Octane Rating, Gasoline	
..... See "Fuel"	
Odometer .....	22
Oil	
Engine Oil.....	85
Fluid Locations .....	84
Transmission Oil/Fluid.....	88
Oil Pressure Warning Light.....	24
Power Steering Fluid .....	99
Operation In Foreign Countries	
.....	58
<b>P</b>	
Panel Brightness Control.....	35
Parking Brake .....	41
Power	
Mirrors.....	31
Steering.....	99
Windows.....	42
PGM-FI System .....	135
Pressures, Tire Inflation.....	107
Preventive Service .....	115
<b>R</b>	
Radiator Coolant .....	90
Radio .....	49
Rear View Mirrors .....	31
Rear Window Defogger .....	30
Reminder Lights	
.....See "Warning lights"	

Replacement		
Air Filter .....	97	
Bulbs.....	105	
Engine Oil .....	86	
Fuel Filter .....	98	
Fuses.....	103	
Oil Filter .....	86	
Radiator Coolant .....	92	
Spark Plugs .....	94	
Tires.....	109	
Wiper Blades .....	96	
Retractable Headlights		
If the Retractable Headlights do not operate.....	127	
Rust Prevention .....	115	
<b>S</b>		
Safety Defects, Reporting .....	140	
Safety Items.....	65	
Seat Belt Reminder Light and Beeper.....	22	
Seat Belts		
Anchor Points .....	18	
Buckling the Front Seat Belts .....	10	
Buckling the Rear Seat Belts.....	12	
Child Restraint.....	16	
Cleaning .....	19	
Warning Light and Warning Beeper .....	14	
inspection .....	19	
Lap/Shoulder Belts .....	10	
Pregnant Women .....	18	
Reminder Light .....	22	
Replacement .....	19	
Seats		
Driver's Lumbar Support .....	7	
Driver's Side Support.....	7	
Front Seat .....	5	
Head Restraints .....	8	
Shift Lever Position Indicator.....	22	
Shifting		
Automatic.....	69	
5-Speed.....	67	
Spare Tire		
Changing a Flat Tire .....	119	
COMPACT Spare Tire.....	117	
Specifications .....	129	
Spark Plugs .....	94	
Specifications .....	129	
Speedometer.....	22	
Starting the Engine .....	63	
Steering		
Anti-theft Column Lock .....	60	
Four Wheel Steering.....	61	
Power Steering .....	99	
Tilt Steering .....	28	
Stereo Sound System		
Operation.....	49	
Stuck Car .....	126	
Sunroof		
If the Sunroof Won't Close .....	56	
Maintenance.....	56	
Operation.....	55	
Sunshade.....	55	
<b>T</b>		
Tachometer .....	22	
Temperature Gauge, Coolant .....	22	
Thermostat .....	92	
Tilt Steering .....	28	
Tire		
Air Pressure .....	107	
Balancing .....	109	
Chains .....	108	
Changing a Flat Tire .....	119	
COMPACT Spare .....	117	
DOT Tire Quality Grades .....	132	
Inflation Pressures.....	107	
Requirement.....	132	
Rotation .....	110	
Snow Tires .....	108	
Spare Tire .....	117	
Specification.....	130	
To Get In/Out of Rear Seat .....	6	
Tools .....	119	
Towing .....	125	
Towing a Trailer .....	73	
Transmission		
Identification Number.....	131	
Oil/Fluid.....	88	
Shifting the Automatic.....	69	
Shifting the Manual.....	67	
Capacity.....	129	

---

Tread Wear .....	132
Trip Meter.....	22
Trunk .....	4
Trunk Access From	
Rear Seat .....	9
Trunk Lid.....	4
Trunk Light .....	36
Trunk-Open	
Indicator Light.....	27
Turn Signals.....	32

## V

Vehicle Identification Number	
.....	131
Ventilation .....	43

## W

Warning Lights .....	23
Warranty Service .....	137
Washer	
Reservoir Capacity .....	29
Windshield Washer .....	29
Washing.....	114
Waxing .....	113
Wheels.....	114
Windows	
Appearance Care .....	113
Power Windows .....	42
Windshield Defogger .....	30
Windshield Washer .....	29
Windshield Wipers.....	29
Wiper Blades .....	96
Wipers	
Windshield Wipers.....	29



# Authorized Manuals

## A Factory-Authorized Manuals is Available for Your Vehicle.

The following publications covering the operation and servicing of your vehicle can be obtained from Helm Incorporated either by filling out the reverse side of this form or, for credit card holders, by calling toll-free. For manuals prior to the year shown below, contact Helm Inc., P.O. Box 07280, Detroit, Michigan 48207, or call (800) 782-4356.

Publication Form Number	Form Description	Price Each*
61 SF104	1981 PRELUDE Service Manual	\$54.00
61SF104EL	1991 PRELUDE Electrical Troubleshooting Manual	\$31.00
61SF130	1988 PRELUDE Body Repair Manual	\$32.00
61SF1630	1991 PRELUDE Owner's Manual	\$16.00
HON-R	Order Form for Previous Years-- Indicate Year and Model Desired.	FREE

\*Prices are subject to change without notice and without incurring obligation.

### Service Manual

This manual covers maintenance and recommended procedures for repair to engine and chassis components. It is written for the journeyman mechanic, but is simple enough for most mechanically-inclined owners to understand.

### Electrical Troubleshooting Manual

This manual complements the Service Manual by providing in-depth troubleshooting information for each electrical circuit in your car.

### Body Repair Manual

This manual describes the procedures involved in the replacement of damaged body parts.

# Authorized Manuals

**ORDER TOLL FREE: 1-800-782-4356**

(NOTE: For Credit Card Holder Orders Only)

Monday - Friday 8:00 A.M. - 6:00 P.M. EST

**(MINIMUM CREDIT CARD PURCHASE \$10.00)**

**OR**

By completing this form you can order the materials desired. You can pay by check or money order, or charge to your credit card. Man to Helm Incorporated at the address shown below.

1 9 9 1 H O N	PUBLICATION FORM NUMBER	VEHICLE MODEL		QTY.	PRICE EACH*	TOTAL PRICE	
		NAME	YEAR				
*Prices are effective until April '93. After that date contact Helm, Incorporated for current prices and stock availability.  Orders are mailed within 10 days. Please allow adequate time for delivery.					<b>TOTAL MATERIAL</b>		
					MICH. PURCHASES ADD 4% SALES TAX		
					HANDLING CHARGE		\$5.00
					<b>GRAND TOTAL</b>		

NOTE: Dealers and Companies please provide dealer or company name and also the name of the person to whose attention the shipment should be sent. For purchases outside U.S.A. please write to the address below for a quotation.

S  
H  
I  
P  
T  
O

Customer Name

Attention

Street Address-No. P.O. Box Number

Apartment Number

City

State & Zip Code

Daytime Telephone Number

Area Code ( )

P  
A  
Y  
M  
E  
N  
T

Check or money order enclosed payable to Helm Inc. U.S. funds only  
Do not send cash.

Master Card

VISA

Check here if your billing address is different from the shipping address shown below.

Account Number

--	--	--	--	--	--	--	--	--	--

Expiration Mo-Yr

--	--	--	--

CUSTOMER SIGNATURE

DATE

These publications cannot be returned (or credit without receiving advance authorization within 14 days of delivery. On returns, a restocking fee may be applied against the original order.

**HELM**

P.O. BOX 07280 • DETROIT, MICHIGAN 48207 • 1-600-783-4356