



RANGER

Your satisfaction is our #1 goal. If you have questions or concerns with your vehicle, we suggest you follow these steps:

1. Contact your Sales Representative or Service Advisor at your selling/servicing dealership.
2. If the inquiry or concern remains unresolved, contact the Sales Manager or Service Manager at the dealership.
3. If the inquiry or concern cannot be resolved at the dealership level, please contact the Ford Customer Assistance Center.

In the United States:

Ford Motor Company
Customer Assistance Center
300 Renaissance Center
P.O. Box 43360
Detroit, Michigan 48243
1-800-392-3673 (FORD)
TDD for the hearing impaired: 1-800-232-5952

In Canada:

Customer Assistance Centre
Ford Motor Company of Canada, Limited
P.O. Box 2000
Oakville, Ontario L6J 5E4
1-800-565-3673 (FORD)

Outside the U.S. or Canada:

FORD MOTOR COMPANY
WORLDWIDE EXPORT OPERATIONS
1555 Fairlane Drive
Fairlane Business Park #3
Allen Park, MI 48101
Telephone: (313) 594-4857
Fax: (313) 390-0804



All rights reserved. Reproduction by any means, electronic or mechanical, including photocopying, recording, or by any information storage and retrieval system or translation in whole or part is not permitted without written authorization from Ford Motor Company.

Copyright © 1996 Ford Motor Company

Table of Contents

Introduction	1
Instrumentation	7
Audio	27
Controls and Features	59
Seating and Safety Restraints	101
Starting	147
Driving	155
Roadside Emergencies	217
Maintainance and Care	249
Capacities and Specifications	311
Reporting Safety Defects	315
Customer Assistance	317
Accessories	327
Quick Index	331
Index.	343
Service Station Information	364

Introduction

Ford's Commitment to You

At Ford Motor Company, excellence is the continuous commitment to achieve the best result possible. It is dedication to learning what you want, determination to develop the right concept, and execution of that concept with care, precision, and attention to detail. In short, excellence means being the standard by which others are judged.

Our Guiding Principles

- **Quality comes first.** For your satisfaction, the quality of our products and services must be our number one priority.
- **You are the focus of everything we do.** Our work must be done with you in mind, providing better products and services than our competition.
- **Continuous improvement is essential to our success.** We must strive for excellence in everything we do: in our products — in their safety and value — and in our services, our human relations, our competitiveness, and our profitability.
- **Employee involvement is our way of life.** We are a team. We must treat one another with trust and respect.
- **Dealers and suppliers are our partners.** We must maintain mutually beneficial relationships with dealers, suppliers, and our other business associates.
- **Integrity is never compromised.** Our conduct worldwide must be pursued in a manner that is socially responsible and commands respect for its integrity and for its positive contributions to society.

Things to Know About Using This Guide

Congratulations on the purchase of your new vehicle. This guide has information about the equipment and the options for your new vehicle. You may not have bought all of the options available to you. If you do not know which information applies to your vehicle, talk to your dealer.

This guide describes equipment and gives specifications for equipment that was in effect when this guide was approved for printing. Ford may discontinue models or change specifications or design without any notice and without incurring obligation.

NOTES and WARNINGS

NOTES give you additional information about the subject matter you are referencing.

WARNINGS remind you to be especially careful in those areas where carelessness can cause damage to your vehicle or personal injury to yourself, your passengers or other people. Please read all **WARNINGS** carefully.

R WARNING

Finding Information in This Guide

After you have read this guide once, you will probably return to it when you have a specific question or need additional information. To help you find specific information quickly, you can use the Quick Index, Table of Contents, or the Index.

The **Quick Index** at the end of the book provides a page number following each item which indicates where detailed information can be found.

Introduction

To use the **Index**, turn to the back of the book and search in the alphabetical listing for the word that best describes the information you need. If the word you chose is not listed, think of other related words and look them up. We have designed the Index so that you can find information under a technical term.

Canadian Owners — French Version

French Owner Guides can be obtained from your dealer or by writing to Ford Motor Company of Canada, Limited, Service Publications, P.O. Box 1580, Station B, Mississauga, Ontario L4Y 4G3.

Your Maintenance Schedule and Record Booklet

The *Maintenance Schedule* booklet lists the services that are most important for keeping your vehicle in good condition. A record log is also provided to help you keep track of all services performed.

About the Warranties

Your vehicle is covered by three types of warranties: **Basic Vehicle Warranty**, **Extended Warranties** on certain parts, and **Emissions Warranties**.

Read your *Warranty Information Booklet* carefully to find out about your vehicle's warranties and your basic rights and responsibilities.

If you lose your *Warranty Information Booklet*, you can get a new one free of charge. Contact any Ford or Lincoln-Mercury dealer, or refer to the addresses and phone numbers on the first page of this Owner's Guide.

Ford Extended Service Plan

More Protection for Your Vehicle

You can get more protection for your new car or light truck by purchasing a Ford Extended Service Plan (Ford ESP). Ford ESP is the only extended service program with the Ford name on it and the only service contract backed by Ford Motor Company.

Ford ESP is an optional service contract, backed and administered by Ford. It provides:

- protection against repair costs after your Bumper to Bumper Warranty expires;
- and
- other benefits during the warranty period (such as: reimbursement for rentals; coverage for certain maintenance and wear items).

You may purchase Ford ESP from any participating Ford Motor Company dealer. There are several Ford ESP plans available in various time-and-mileage combinations. Each plan can be tailored to fit your own driving needs, including reimbursement benefits for towing and rental. (In Hawaii, rules vary. See your dealer for details.)

When you purchase Ford ESP, you receive peace-of-mind protection throughout the United States and Canada, provided by a network of more than 5,100 participating Ford Motor Company dealers.

NOTE: Repairs performed outside the United States and Canada are not eligible for ESP coverage.

This information is subject to change. Ask your dealer for complete details about Ford ESP coverage.

Introduction

Special Notice

NOTICE TO OWNERS OF FOUR-WHEEL DRIVE VEHICLES

As with other vehicles of this type, failure to operate this vehicle correctly may result in loss of control or an accident. Be sure to read the *Additional Special Driving Instructions for Four-Wheel Drive Vehicle Operators* in this book and the special supplement included with four-wheel drive vehicles entitled *4-Wheeling*.

AMBULANCE PACKAGES

R WARNING

Do not use this vehicle as an ambulance.

Breaking Your Vehicle In

Your new vehicle goes through an adjustment or break-in period during the first 1,000 miles (1,600 km) that you drive it. During the break-in period, you need to pay careful attention to how you drive your vehicle.

■ **Avoid sudden stops.** Because your vehicle has new brake linings, you should take these steps:

- Watch traffic carefully so that you can anticipate when to stop.
- Begin braking well in advance.
- Apply the brakes gradually.

The break-in period for new brake linings lasts for 100 miles (160 km) of city driving or 1,000 miles (1,600 km) of highway driving.

-
- Wheel lug nuts must be retightened to proper torque specifications at 500 miles/800 km of new vehicle operation. Proper torque specifications are provided in this guide. Also retighten to proper torque specifications at 500 miles/800 km after any wheel change or any other time the wheel lug nuts have been loosened.
 - **Use only the type of engine oil that Ford recommends.** See *Engine oil recommendations* in the Index. Do not use special “break-in” oils.

Some vehicles are equipped with a Powertrain Control Module that limits engine speeds with a cut-out mode to promote durability.

Instrumentation

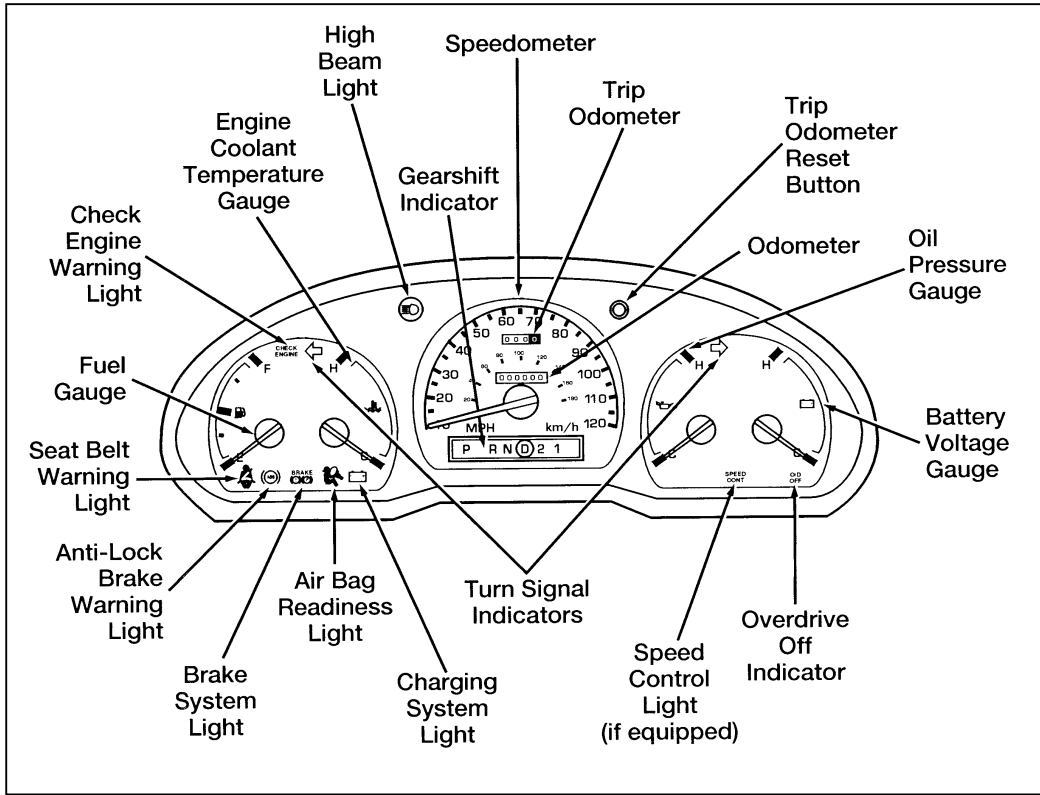
The instrument panel (dashboard) on your vehicle is divided into several different sections. The illustrations on the following pages show the major parts of the instrument panel that are described in this chapter. Some items shown may not be on all vehicles.

Your vehicle has one of the following instrument clusters:

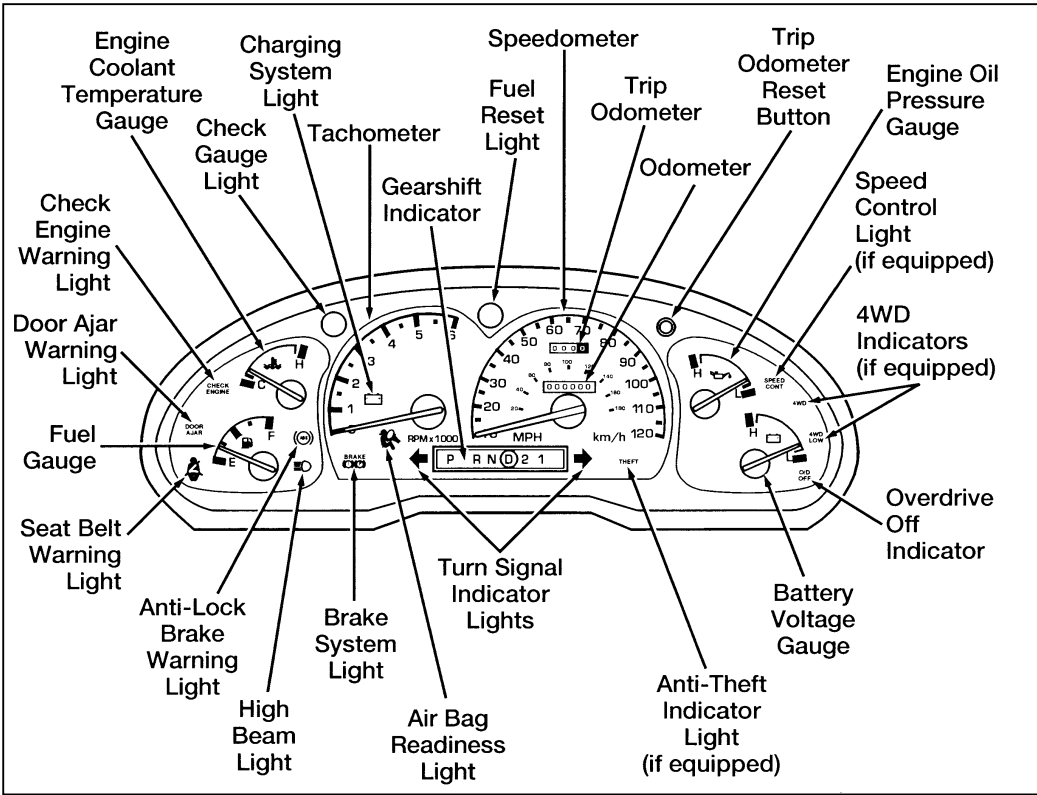
- A standard instrument cluster
- A optional instrument cluster with tachometer

If you are not sure which cluster your vehicle has, check the diagrams on the following pages of this section.

Instrument Cluster



Instrument cluster with tachometer



Instrumentation

The Mechanical Cluster

The following warning lights and gauges are on the mechanical cluster. All of the warning lights and gauges alert you to possible problems with your vehicle. Some of the lights listed are optional. The following sections detail what each of these indicators means.

Brake System Warning Light

The warning light for the brakes can show two things — that the parking brake is not fully released, or that the brake fluid level is low in the master cylinder reservoir. If the fluid level is low, the brake system should be checked by your dealer or a qualified service technician.

This light illuminates when you turn the ignition key to START to verify that the indicator bulb is working. If the light stays on or illuminates after you have released the parking brake fully, have the hydraulic brake system serviced.

R WARNING

The BRAKE light indicates that the brakes may not be working properly. Have the brakes checked immediately.
--

BRAKE



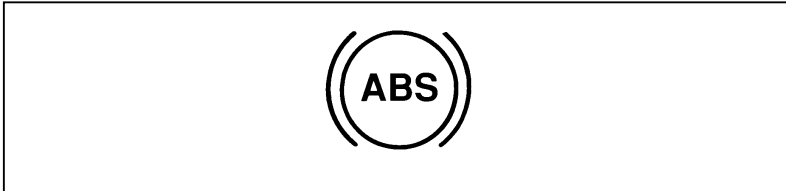
Brake warning light symbols

Instrumentation

Anti-lock Brake Warning Light

To check the ABS brake warning light, turn the ignition key to ON. The ABS brake warning light should glow momentarily.

NOTE: If the ABS brake warning light does not glow momentarily, have your vehicle's electrical system checked immediately. If the light begins to flash in a repeatable flash sequence, check the anti-lock system continuous power fuse and brakelamps for proper operation.



Anti-lock warning light symbol

R WARNING

If the anti-lock brake system warning light remains on or comes on while driving, have the braking system checked by a qualified service technician as soon as possible.

NOTE: If a fault occurs in the anti-lock system, and the brake warning light is not lit, the anti-lock system is disabled but normal brake function remains operational.

Safety Belt Warning Light and Chime

The safety belt warning light/chime reminds you to fasten your safety belt. One of the following will take place:

- If the safety belt is not buckled before the key is turned to the ON position, the light comes on for one to two minutes and the chime sounds for 4 to 8 seconds.

-
- If the safety belt is buckled while the light is on and the chime is sounding, both the light and chime turn off.
 - If safety belt is buckled before the key is turned to the ON position, both the light and the chime will not turn on.



Safety belt warning light symbol

Air Bag Readiness Light

This light illuminates for approximately six seconds when the ignition key is turned to the ON position to verify that the indicator bulb is working and the air bag system is operating normally.

R WARNING
A problem with the air bag system is indicated by one or more of the following: the readiness light will either flash or stay lit, or it will not light, or a group of five beeps will be heard.

R WARNING
If any of these things happen, even intermittently, have the air bag system serviced at your Ford or Lincoln-Mercury dealer immediately.

Instrumentation



Air bag readiness light symbol

Passenger Air Bag OFF Light (If equipped)

The passenger air bag OFF light is located in the lower center of the instrument panel next to the passenger air bag defeat switch. This yellow indicator light illuminates whenever the passenger air bag is turned off and the ignition is on. The passenger air bag should be turned off only when a rear-facing infant seat is installed in the front passenger seat.

Door Ajar Warning Light (If equipped)

If the ignition switch is in the ON position and any door or the liftgate is not completely closed, the light will illuminate.

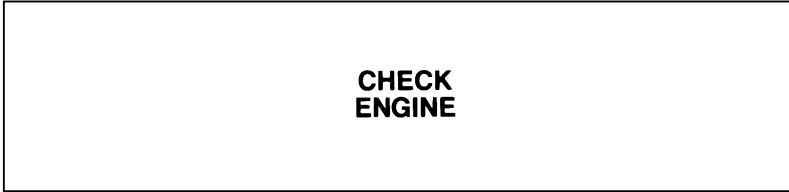
A rectangular box containing the text "DOOR" and "AJAR" stacked vertically in a bold, sans-serif font.

DOOR
AJAR

Door ajar warning light symbol

Check Engine Warning Light

This light illuminates when the engine's Emission Control System requires service. It will also illuminate when the ignition key is in the ON position and the engine is off.

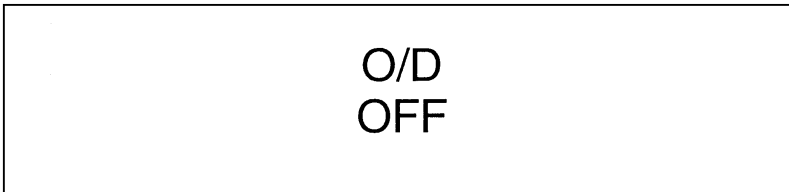


Check engine warning light symbol

Transmission Control Indicator Light (TCIL)

The TCIL tells you that the Transmission Control Switch (TCS) on the gearshift lever has been pushed. When the light illuminates, the transmission does not shift into j (Overdrive). Depressing the TCS on the shifter once more returns the vehicle to j (Overdrive). The transmission will be in j (Overdrive) when the vehicle is started even if the O/D OFF mode was selected when the vehicle was last shut off.

NOTE: If the TCIL does not come on when the TCS is depressed or if the TCIL flashes when you are driving a malfunction has been detected. Have your vehicle serviced at the first opportunity. If this condition persists, damage could occur to the transmission.

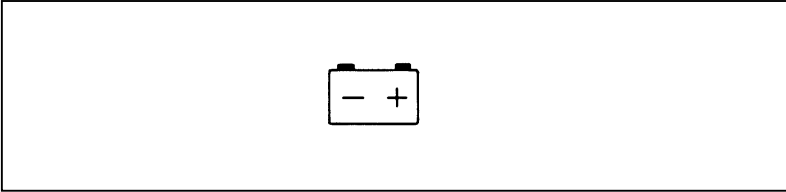


Transmission control indicator light (if equipped)

Instrumentation

Charging System Light

This light indicates that your battery is not being charged and that you need to have the electrical system checked.



Charging system light symbol

This light illuminates every time you turn the ignition to the ON or START position (engine off). The light should go off when the engine starts and the alternator begins to charge.

If the light stays on or illuminates when the engine is running, have the electrical system checked as soon as possible.

Check Gage Light (If equipped)

This light will come on when the key is in the ON position and the:

- engine coolant temperature is high
- engine oil pressure is low
- fuel level is near empty

This light serves as a notice that a system needs your attention and to check the engine coolant temperature gauge, the engine oil pressure gauge, and the fuel level gauge.

Please see *Engine Coolant Temperature Gauge*, *Engine Oil Pressure Gauge*, or *Fuel Gauge* in this chapter for more information.



Check gage light

Fuel Reset Light (If Equipped)

Your vehicle may have a fuel reset light. The fuel reset light will come on when you turn the ignition key to ON and the fuel pump shut-off switch has been triggered. Refer to *Fuel pump shut-off switch* in the Index to find additional information.

A rectangular icon with the words "FUEL RESET" written in bold, uppercase letters inside. The icon is centered within a rectangular border.

Fuel reset light

Speed Control Light (If equipped)

The SPEED CONT light will illuminate in the instrument cluster when the speed control system is engaged. The light will turn off when the brake pedal is pressed or if the speed control is shut off.

This display does not indicate any problems with the speed control, but is simply a convenient way of knowing when speed control is activated.

Instrumentation

**SPEED
CONT**

Speed control light

Anti-Theft Light (If equipped)

The THEFT light flashes on and off when the ignition switch is OFF and any door is opened. As soon as you lock the doors, the light illuminates steadily. Within 30 seconds of closing all the doors, the light flashes intermittently (every 2 seconds). This indicates that the anti-theft system is armed. Refer to *Anti-Theft System* in the Index for additional information.

THEFT

Anti-theft indicator light

Four-Wheel Drive Indicator Light (If equipped)

The 4WD light illuminates when the ignition is ON and the transfer case is placed in either the 4H (lever-operated system) or 4WD LOW (electric shift system) positions. Both the 4WD light and the 4WD LOW light will illuminate when the transfer case is in the 4L position (lever-operated system) or the 4WD LOW position (Electric shift system). Refer to *Four-Wheel Drive (4WD) System* in the *Driving* chapter for more information.

A rectangular box containing the text "4WD" in a bold, sans-serif font, representing the four-wheel drive indicator light symbol.

Four-wheel drive indicator light

Four-Wheel Drive Low Range Indicator Light (If equipped)

The 4WD LOW light illuminates when the ignition is ON and the transfer case is placed in the 4L position (lever-operated system) or the 4WD LOW position (electric shift system). Refer to *Four-Wheel Drive (4WD) System* in the *Driving* chapter for more information.

A rectangular box containing the text "4WD LOW" in a bold, sans-serif font, representing the four-wheel drive low range indicator light symbol.

Four-wheel drive low range indicator light

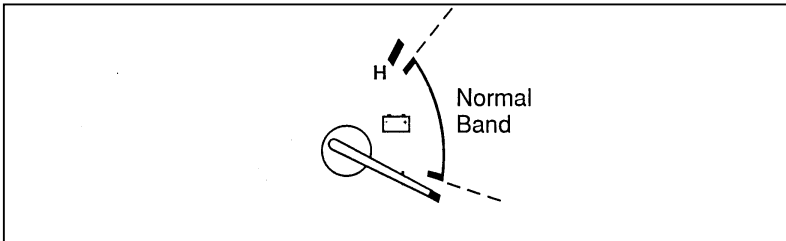
Instrumentation

Battery Voltage Gauge (Voltmeter)

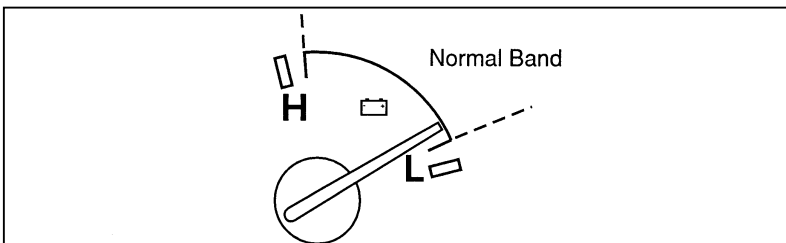
This gauge shows you the battery voltage when the ignition key is in the ON position.

If the battery is operating under cold weather conditions, the pointer may indicate in the upper range of the NORMAL band while the battery is charging. If you are running electrical accessories with the engine off or idling at a low speed, or the battery is not fully charged, the pointer may move toward the lower end of the NORMAL band.

If it stays outside the NORMAL band, have your vehicle's electrical system checked as soon as it is safely possible.



Battery voltage gauge — mechanical cluster



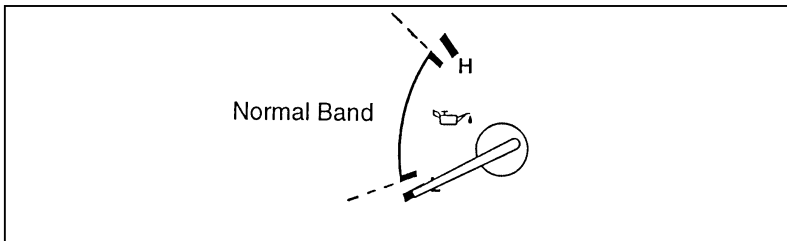
Battery voltage gauge — mechanical cluster with tachometer

Engine Oil Pressure Gauge

This gauge indicates the engine's oil pressure, not the oil level. However, if your engine's oil level is low, it could affect the oil pressure. With the engine running, the pointer should move into the NORMAL band. If the pointer drops below the NORMAL band while the engine is running, you have lost oil pressure and continued operation will cause severe engine damage.

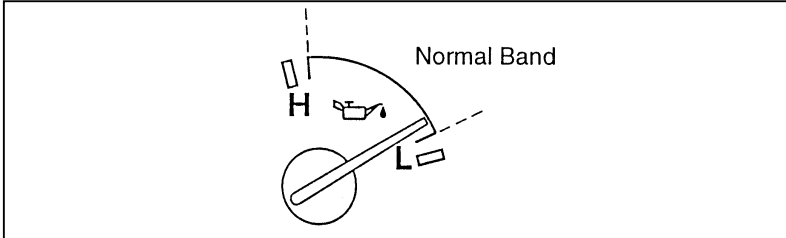
If you lose engine oil pressure:

1. Pull off the road as soon as safely possible.
2. Turn off the engine. If you do not stop the engine as soon as safely possible, severe engine damage could result.
3. Check the engine's oil level, following the instructions on checking and adding engine oil. Refer to *Engine oil* in the Index. If you do not follow these instructions, you or others could be injured. To assure an accurate reading, your vehicle should be on level ground.
4. If the level is low, add only as much oil as necessary before you start the engine again. Do not overfill. Do not operate the engine if the pointer is below the NORMAL band, regardless of the oil level. Contact your nearest dealer for further service actions.



Engine oil pressure gauge — mechanical cluster

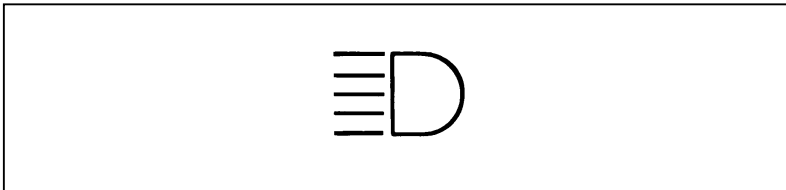
Instrumentation



Engine oil pressure gauge — mechanical cluster with tachometer

High Beam Light

This light comes on when the headlamps are turned on high beam or when you flash the lights. If your vehicle is equipped with daytime running lights and you have your headlamps on, your high beam light will not illuminate when you flash the lights.



High beam indicator light symbol

“Headlamps On” Alert Chime

This chime sounds if you open the driver’s door while the headlamps or parking lamps are on, and the key is removed from the ignition.

Ignition Key Buzzer or Chime

The buzzer or chime will sound if you open the driver’s door while the key is in the ignition and in the OFF, LOCK, or ACCESSORY position. Never leave your vehicle unattended with the key in the ignition.

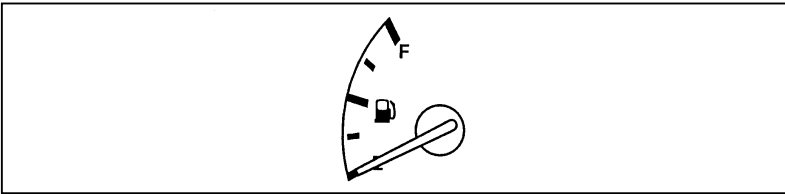
Fuel Gauge

The fuel gauge displays approximately how much fuel is in the fuel tank only when the ignition switch is ON.

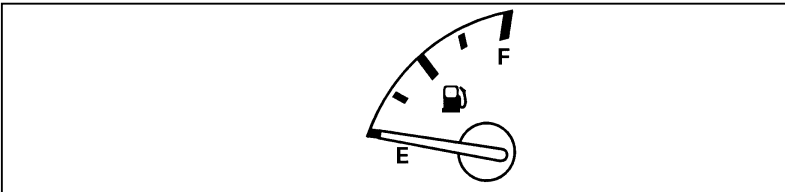
For a proper fuel gauge indication after adding fuel, the ignition switch should be in the OFF position while the vehicle is being refueled.

The fuel gauge indicator may vary slightly when the vehicle is in motion.

With ignition switch OFF, the fuel gauge indicator may drift from the ignition switch ON position.



Fuel gauge — mechanical cluster



Fuel gauge — mechanical cluster with tachometer

Engine Coolant Temperature Gauge

This gauge tells you the temperature of the engine coolant, not the coolant level. If the coolant is not at its proper level or mixture, the gauge indicator will not be accurate.

Instrumentation

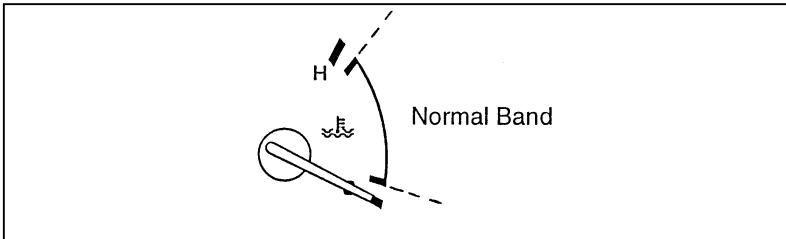
The pointer moves from the C (cold) mark into the Normal band as the engine coolant warms up. It is acceptable for the pointer to fluctuate within the Normal band under normal driving conditions. Under certain driving conditions, such as heavy stop and go traffic or driving up hills in hot weather, the pointer may move to the top of the Normal band.

If, under any circumstances, the pointer moves above the normal band, the engine is overheating and continued operation may cause engine damage.

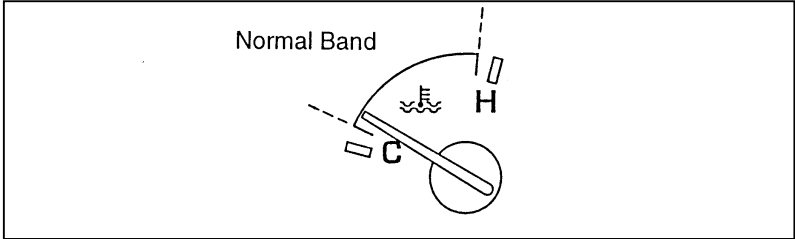
If your engine overheats:

1. Pull off the road as soon as it is safely possible.
2. Turn off the engine. If you do not stop the engine as soon as safely possible, severe engine damage could result.
3. Let the engine cool. **DO NOT REMOVE COOLANT SYSTEM FILL CAP UNTIL THE ENGINE IS COOL.**
4. Check the coolant level following the instructions on checking and adding coolant to your engine. Refer to *Engine coolant* in the Index. If you do not follow these instructions, you or others could be injured.

If the coolant continues to overheat, have the coolant system serviced as soon as possible.



Engine coolant temperature gauge — mechanical cluster



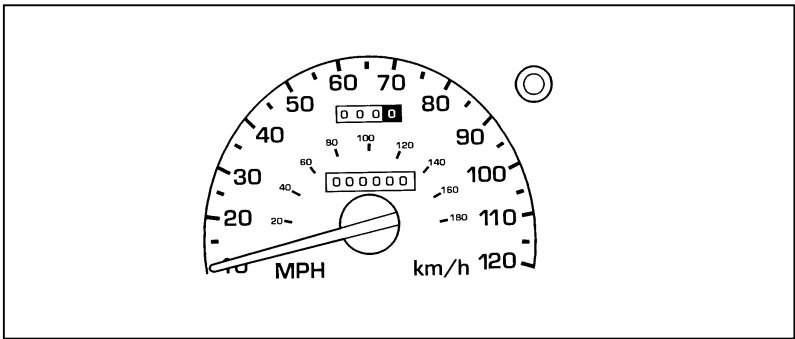
Engine coolant temperature gauge — mechanical cluster with tachometer

Speedometer

The speedometer tells you how many miles (kilometers) per hour your vehicle is moving.

Some vehicles are equipped with a vehicle speed (mph/km/h) limiting device that is contained within the Powertrain Control Module (PCM). The purpose of this device is to maintain peak vehicle speed below a specified limit. (Vehicle speed limits may vary based on engine displacement.)

If you are experiencing an “engine cut-out” condition at high speeds, it may be the result of this limiting device. It is a normal condition and can be avoided by reducing vehicle/engine speed.



Speedometer

Instrumentation

Odometer

The odometer tells you the total number of miles (kilometers) your vehicle has been driven.

Trip Odometer

If you want to track your mileage up to 999.9 miles (kilometers), use the trip odometer. Simply set the trip odometer to zero by pressing the reset control firmly when beginning the distance you wish to measure.

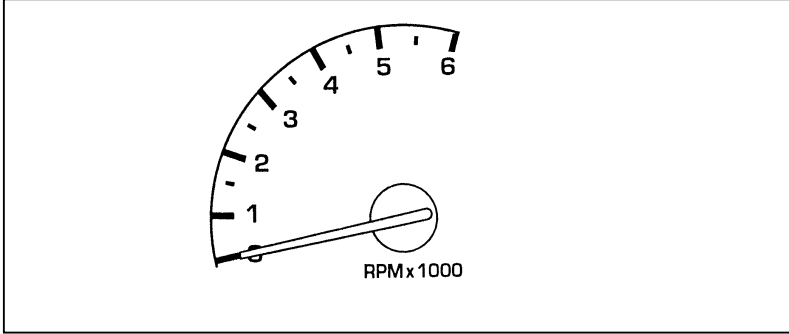
Tachometer (If equipped)

The tachometer will show you the engine's speed measured in revolutions per minute (RPM).

The tachometer may move slightly when the key is placed in the ACC or ON position, with the engine off. This is normal and does not affect the performance of the tachometer when the engine is running.

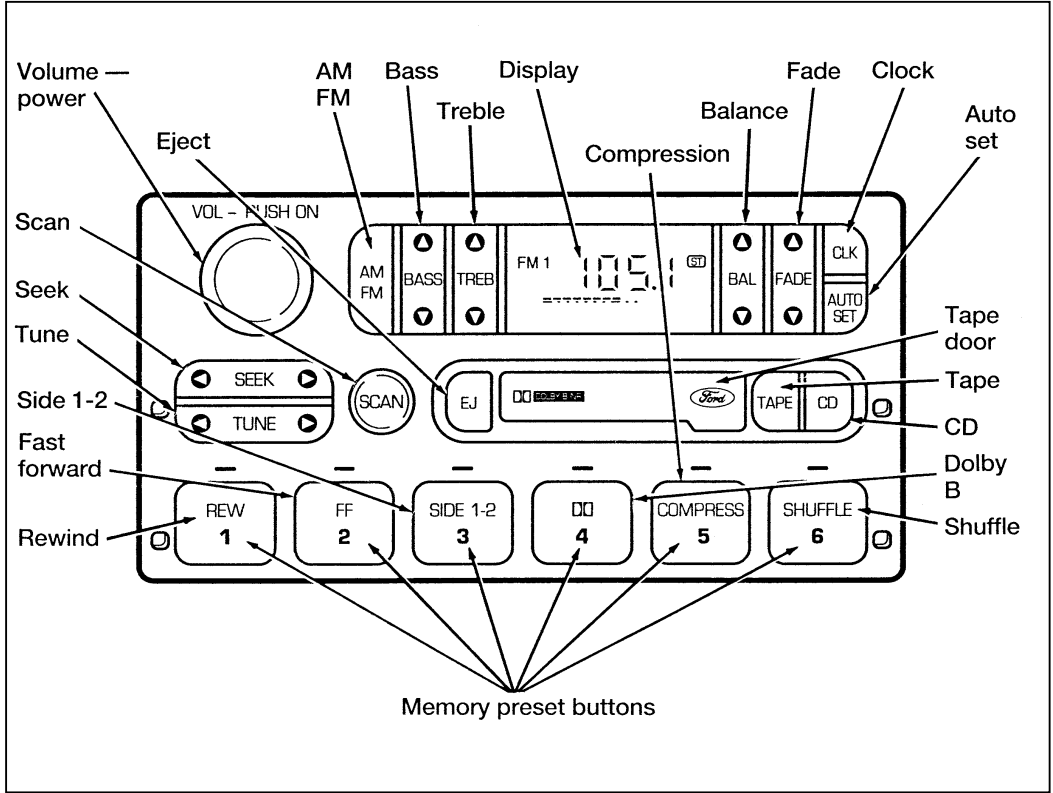
Some vehicles are equipped with an engine speed (RPM) limiting device contained within the powertrain control module (PCM). The purpose of this device is to maintain peak engine speed (RPM) below a specified limit. This feature is only evident on automatic transmission vehicles when shifting manually (1, 2, D) and on all manual transmission units. (Engine speed limits may vary based on engine displacement.)

If you are experiencing an "engine cut-out" condition at high speeds, it may be the result of this limiting device. It is a normal condition and can be avoided by reducing vehicle/engine speed.



Tachometer

NOTE: If the 4.0L engine exceeds 5200 RPM, the PCM will restrict fuel flow to maintain engine speed at or below 5200 RPM. This function is designed to protect the engine and should be considered normal operation.



Premium Stereo Cassette with CD DJ Compatibility (If Equipped)

Stereo Cassette with CD DJ Compatibility

Using the Controls on Your New Radio

How to turn the radio on and off

Press the “VOL/PUSH” knob to turn the radio on. Press again to turn it off.

How to adjust the volume

Turn the “VOL/PUSH” knob clockwise to increase the volume and counterclockwise to decrease the volume. Bars illuminate in the display to show relative volume level.

NOTE: If the volume level is set above a certain listening level when the ignition switch is turned off, when the ignition switch is turned back on, the volume will come back to a “nominal” listening level. However, if the radio power is turned off, the volume will remain in the position it was set at when radio power was switched off.

Selecting the AM or FM frequency band

Push the “AM/FM” button to select the desired frequency band or to stop/store cassette tape (when in cassette mode). Pushing the button more than once will alternate between AM, FM1 and FM2. These functions are used with the station memory buttons described under *How to tune radio stations*.

Electronic Sound Systems

How to tune radio stations

There are four ways for you to tune in a particular station. You can use the “TUNE”, “SEEK”, “SCAN” or the memory buttons.

■ Using the “TUNE” function

You can change the frequency up or down one increment at a time by pressing and releasing either the left (◀) or right (▶) side of the “TUNE” button. To change frequencies quickly, press and hold down either the right or left side of the button.

Manual tuning adjusts your radio to any allowable broadcast frequency, whether or not a station is present on that frequency. (See *All About Radio Frequencies* in this section.)

■ Using the “SEEK” function

This feature on your radio allows you to automatically select listenable stations up or down the frequency band. Press the right (▶) side of the “SEEK” button to select the next listenable station up the frequency band. Press the left (◀) side of the button to select the next listenable station down the frequency band. By pressing and holding the button, listenable stations can be passed over to reach the desired station.

■ Using the “SCAN” function

Pressing the “SCAN” button will begin the scan mode up the frequency band, stopping on each listenable station for approximately five seconds.

To stop the scan mode on the presently sampled station, press the “SCAN” button again.

■ Setting the station MEMORY PRESET buttons

Your radio is equipped with 6 station memory buttons. These buttons can be used to select up to 6 preset AM stations and 12 FM stations (6 in FM1 and 6 in FM2)

Follow the easy steps below to set these buttons to the desired frequencies:

1. Select a band, then select a frequency.
2. Press one of the memory preset buttons and hold the button until the sound returns. That station is now held in memory on that button.
3. Follow the two steps above for each station memory preset button you want to set.

■ Using the AUTOSET feature

With AUTOSET, you can continually set strong stations into your memory buttons without losing your originally set stations.

Press the “AUTOSET” button once. Your radio will set the first six strong stations of the band you are in (AM, FM1, or FM2) into the memory buttons. The display will show “AUTO”, then run through the frequencies setting the memory buttons.

NOTE: If there are fewer than five strong stations in the frequency band, the remaining unfilled buttons will store the last strong station detected on the band.

When all stations are filled, the radio will begin playing the station stored in memory button 1.

To deactivate the Auto Memory Store mode and return to manually-set memory button stations, press the “AUTOSET” button. Display will show “AUTO” then “OFF”.

Electronic Sound Systems

Adjusting the tone balance of your radio

- Increasing or decreasing bass response

Press the top ▲ of the “BASS” button to increase bass; press the bottom ▼ of the “BASS” button to decrease bass.

- Increasing or decreasing treble response

Press the top ▲ of the “TREBLE” button to increase treble; press the bottom ▼ of the treble button to decrease treble.

- Adjusting speaker balance

Balance control allows you to adjust the sound distribution between the right and left speakers. Press the top ▲ of the “BAL” button to shift the sound to the right speakers, and press the bottom ▼ of the “BAL” button to shift the sound to the left speakers.

- Adjusting speaker fader

Fade control allows you to adjust the sound distribution between the front and rear speakers. Press the top ▲ of the “FADE” button to shift the sound to the front speakers, and press the bottom ▼ of the “FADE” button to shift the sound to the back speakers.

NOTE: Illuminated bars in the display show relative levels of bass and treble, and positions of speaker balance and fader functions (left to right, front to rear).

Using the Controls of Your Cassette Tape Player (If equipped)

NOTE: Radio power must be on to use the cassette tape player.

How to insert a tape

Your cassette tape player is equipped with power loading. Once you insert a tape and push slightly (with the **open edge to the right**), the loading mechanism draws the tape the rest of the way in and play will begin after a momentary tape tightening process. Display indicates “TAPE” while tape is playing.

NOTE: A cassette tape can be loaded with the ignition on whether or not the radio power is on. However, with radio power off, the cassette tape is loaded and stored.

How to locate a desired track on the tape

There are four ways to quickly locate a desired selection on the tape. You can use the fast forward, rewind, “SEEK” or “SCAN” function. Following are brief descriptions of each.

■ Fast forwarding the tape

To fast forward the tape, press the “FF” button. The radio will begin playing until fast forward is manually stopped (by pushing the “TAPE” button) or the end of the tape is reached.

At the end of the tape, the direction automatically reverses and plays the other side of the tape.

■ Rewinding the tape

To rewind the tape, press the “REW” button. The radio will begin playing until rewind is manually stopped (by pushing the “TAPE” button) or the beginning of the tape is reached.

Electronic Sound Systems

- Using the “SEEK” function with your cassette tape player

While in the tape mode, push the right ► side of the “SEEK” button to seek forward to the next selection on the tape. Push the left ◀ side to seek the previous tape selection.

- Using the “SCAN” function with your cassette tape player

Press the “SCAN” button to begin the forward scan mode on the tape currently playing, stopping on each tape selection for approximately an eight-second sampling (display indicates “SC”).

To stop the scan mode on the presently sampled tape selection, press “SCAN” a second time.

- How to change the side of the tape being played

The alternate side of the tape can be selected by pressing the “SIDE 1-2” button.

How to eject the tape


To stop the tape and eject the cassette, press the “EJ” button. The radio will resume playing if the radio power is on. The tape cartridge can be ejected with radio power (and/or ignition) on or off.

How to switch from tape to AM/FM mode

Press the “AM/FM” button to stop the tape player and resume radio play.

Using the Dolby® B noise reduction feature

NOTE: Noise reduction system manufactured under license from Dolby Labs Licensing Corporation. “Dolby” and double-D symbol are trademarks of Dolby Laboratories Licensing Corporation.

Push the  button to activate Dolby B Noise Reduction. Push again to deactivate.

Tips on Caring for the Cassette Player and Tapes

In order to keep your cassette tape player performing the way it was meant to, read and follow these simple precautions:

- Using a Ford or equivalent cassette cleaning cartridge to clean the tape player head after 10-12 hours of play will help maintain the best playback sound and proper tape operation.
- Only cassettes that are 90 minutes long or less should be used. Tapes longer than 90 minutes are thinner and subject to breakage or may jam the tape player mechanism.
- Protect cassettes from exposure to direct sunlight, high humidity and extreme heat or cold. If they are exposed to extreme conditions, allow them to reach a moderate temperature before playing.
- If a tape is loose inside the cassette, tighten it before playing by putting your finger or a pencil into one of the holes and turning the hub until the tape is tight.
- Loose labels on cassette tapes can become lodged in the mechanism. Remove any loose label material before inserting cassette.
- Do not leave a tape in the cassette tape player. High heat in the vehicle can cause the cassette to warp.

Clock Operation

How to view the clock mode

Press the “CLK” button to display time. The time will continue to be displayed until a radio or tape function is chosen. After approximately 10 seconds, the time will again appear in the display. To display radio or tape information only, press the “CLK” button a second time.

Electronic Sound Systems

NOTE: With the ignition off, the clock will display for approximately 5 seconds once the “CLK” button is depressed and released.

How to set the clock

1. Turn the radio on.
2. Press and hold the “CLK” button, press the right (▶) side of the “SEEK” button to increase hours. Press the left (◀) side of the button to decrease hours. Press the right (▶) side of the “TUNE” button to increase minutes. Press the left (◀) side of the button to decrease minutes.

NOTE: The clock displays 12-hour time with no AM/PM indications.

Ford 6-CD Changer (If equipped)

The Ford Ranger (Regular Cab) 6-CD Changer is mounted behind the driver’s seat. The Ford Ranger (SuperCab) 6-CD Changer is mounted on the floor near the center of the rear cab wall. Both changers are controlled with buttons on the Audio System.

Unit Loading Instructions

1. Open Compact Disc Changer unit by sliding door rearward (Figure 1).

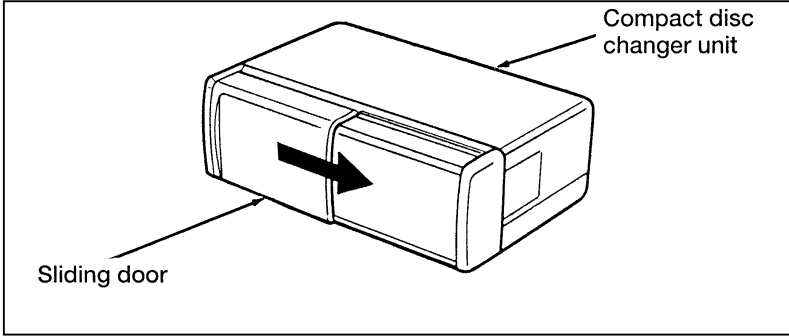


Figure 1

2. Push the “▲” button to eject the disc “magazine” (holds 6 discs) (Figure 2).

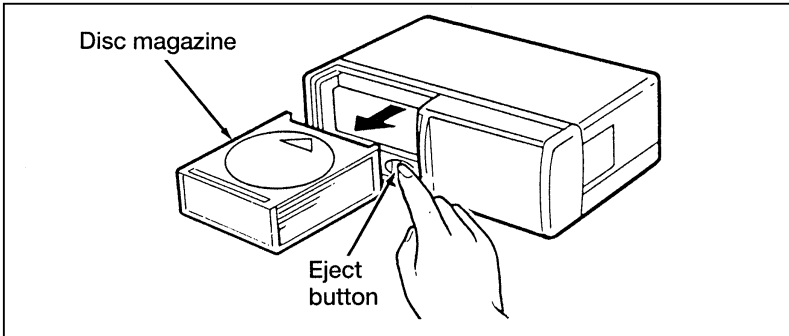


Figure 2

Electronic Sound Systems

3. Load discs into the disc magazine slots (numbered 1 through 6) one at a time with labeled surfaces upward, starting with bottom slot number 1 (Figure 3).

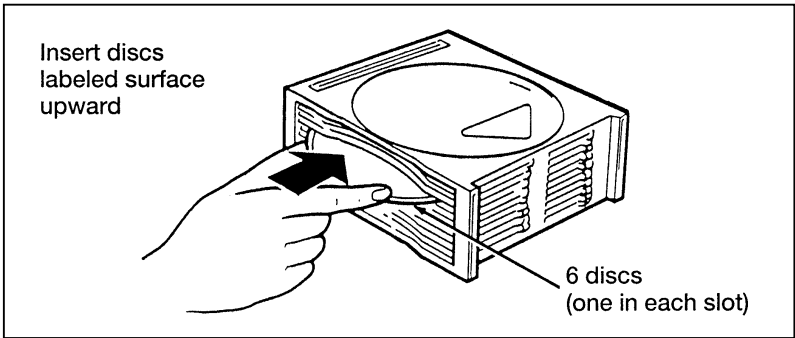


Figure 3

4. Insert loaded disc magazine into chamber unit with the arrow on top of the disc magazine pointing toward the changer (Figure 4). **Make sure magazine is fully inserted into changer.**

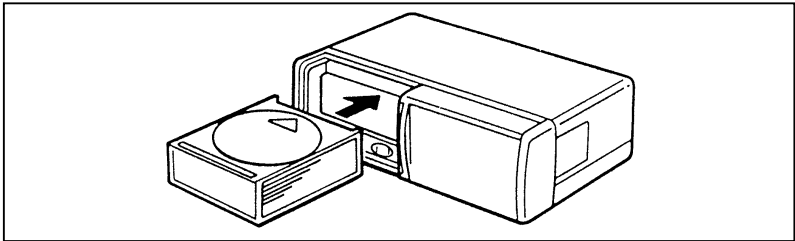


Figure 4

NOTE: To remove one or more compact disc(s) from the disc magazine, push the corresponding lever(s) to the back. Disc(s) will partially come out for easy removal.

5. Close unit by sliding changer panel door to the left.

The Compact Disc Changer unit is now ready to play using the controls of your Audio System.

How to Operate the Ford 6-CD Changer Using the Controls on the Radio

If your vehicle is equipped with the Ford 6-CD Changer System, you can operate it through the controls of your Premium Audio System.

How to begin CD Changer play

Press the “CD” button to begin CD play. The 6-CD Changer will automatically begin playing the first track (selection) of the first disc loaded in the unit. The display will indicate “cd-dd” for disc number and track number and then display “TT-tt” for track number and the “dd-tt” for current disc and track number.

If the CD Changer is empty, “NO CD” will flash in the display and radio play will continue.

How to change the disc being played

When in the CD mode, you can change discs by pressing the right side (▶) of the “TUNE DISC” button (to select the next discs) or the left side (◀) of the “TUNE DISCS” button (to select previous discs). Play will begin on the first track of the selected disc.

If either side of the button is pressed and held, the CD Changer will continue fast-forwarding or reversing through the discs in the disc magazine. During these functions, the display will indicate the disc number.

Electronic Sound Systems

How to change the track being played

There are two ways to change the track being played. You can use the “SEEK” or “SCAN” buttons.

■ Using the “SEEK” function with your CD-Changer

Press the right (▶) side of the “SEEK” button to seek forward to the next track of the current disc. After the last track has been completed, the CD player automatically changes to the next disc.

Press the left (◀) side of the “SEEK” button to seek to the previous track on the current disc.

■ Using the SCAN function with your CD Changer

Press the “SCAN” button to move forward to the next track. Approximately an eight-second sampling of the track will be played before moving to the next track. The display will indicate the disc and track number (dd-tt). At the end of the disc, the CD Changer automatically changes to the next disc.

To end the scan mode, press the “SCAN” button a second time.

Operating the CD Compression feature

Because of the wide dynamic range of Ford’s 6-CD Changer System, soft passages may be difficult to hear under certain driving conditions while maintaining a reasonable volume level in the louder passages. The compression feature will bring these soft and loud passages closer together for a more consistent listening level.

To turn the compression on, press the “COMPRESS”/#5 button. When the compression feature is activated, the display will indicate “C”.

Operating the Shuffle feature

While in the CD mode, pressing the “SHUFFLE”/#6 button will randomly select a track from the disc currently being played. The display will indicate “SHF” followed by the disc and track number (dd-tt).

The CD Changer will continue to randomly select tracks for play until the shuffle feature is turned off by pressing the “SHUFFLE” button a second time.

How to stop CD play

While in the CD mode, press the “AM/FM” button to stop CD play and resume radio play. Also, loading a cassette into the cassette deck will stop CD play and begin cassette play.

CD Error Messages

Your system is equipped to diagnose certain problems you may experience. The error codes are:

- **CD E1** — Mechanism error.
- **CD E2** — Focus error.
- **BAD CD** — Disc unreadable.
- **TOO HOT** — Mechanism over 167° Fahrenheit (75°C), allow to cool before playing.
- **NO CD** — Empty slot or magazine.
- **NO DJ** — CD Changer not connected, not communicating, or not equipped.

Electronic Sound Systems

Common Operating Conditions of the CD Player

The following information is designed to help you recognize typical situations that could be mistakenly interpreted as mechanical malfunctions of the disc player.

- A disc is already loaded.
- The disc is inserted with the label surface downward.
- The disc is dusty or defective.
- The player's internal temperature is above 140°F (60°C). Allow the player to cool off before operating.
- Different manufacturers of compact discs may produce discs with different dimensions or tolerances, some of which may not be within industry standards or in accordance with the CD format. Because of this, a new disc that is free of dust and scratches could be defective and may not play on your Ford Compact Disc Player.

If play does not begin after the CD button is pushed:

- The radio is not on.
- The discs are inserted improperly in the magazine or the CD magazine is not inserted.
- Moisture may have condensed on the lenses within the unit. If this occurs, remove the disc and wait approximately an hour until the moisture evaporates.

If the sound skips:

- Badly scratched discs or extremely rough roads will cause the sound to skip. Skipping will not damage the disc player or scratch the discs.

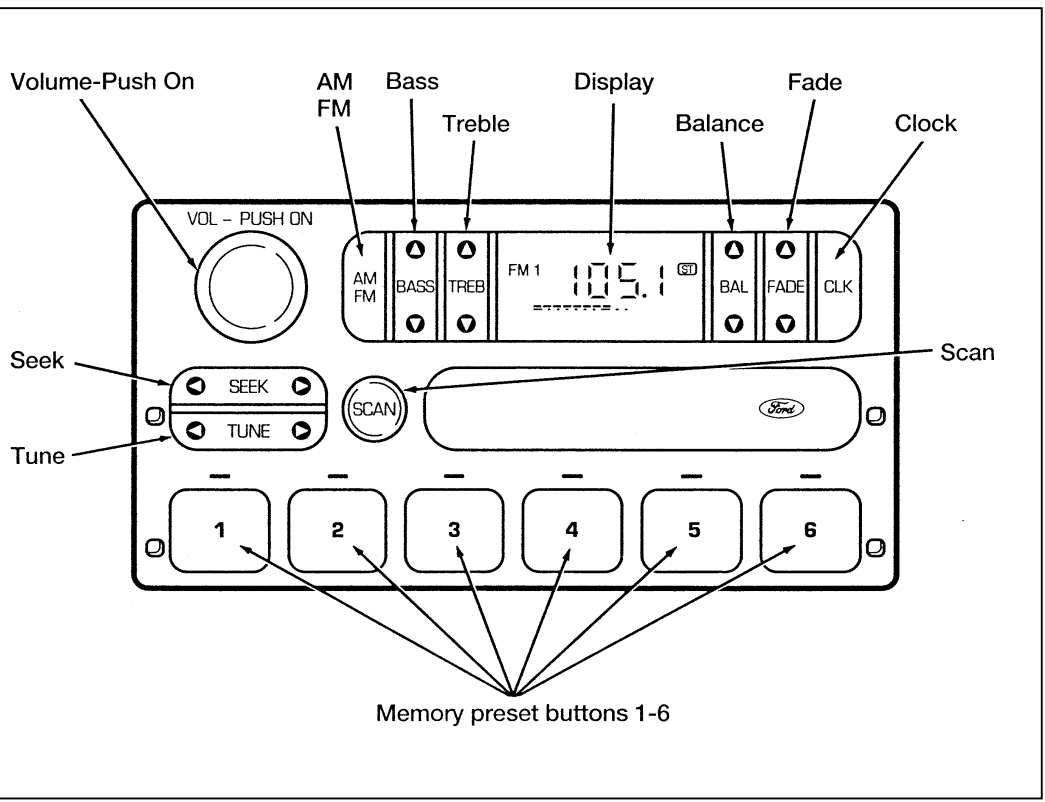
How to take care of and clean the CD Changer and discs

To ensure the continued performance of your CD Changer, carefully read the following precautions:

- Always handle a disc by the edge. Never touch the playing surface.
- Before playing, inspect all discs for any contamination. If needed, clean discs with an approved disc cleaner, such as the Discwasher Compact Disc Cleaner or the Allsop 3 Compact Disc Cleaner, by wiping from the center out to the edges. Do not use a circular motion to clean.
- Do not clean discs with solvents such as benzine, thinner, commercially available cleaners or antistatic spray intended for analog records.
- Do not expose the discs to direct sunlight or heat sources for an extended period of time.
- Do not insert more than one disc into each disc slot of the disc magazine. Doing so may damage the discs, disc magazine or the disc changer.
- Do not insert anything other than discs into the disc magazine.

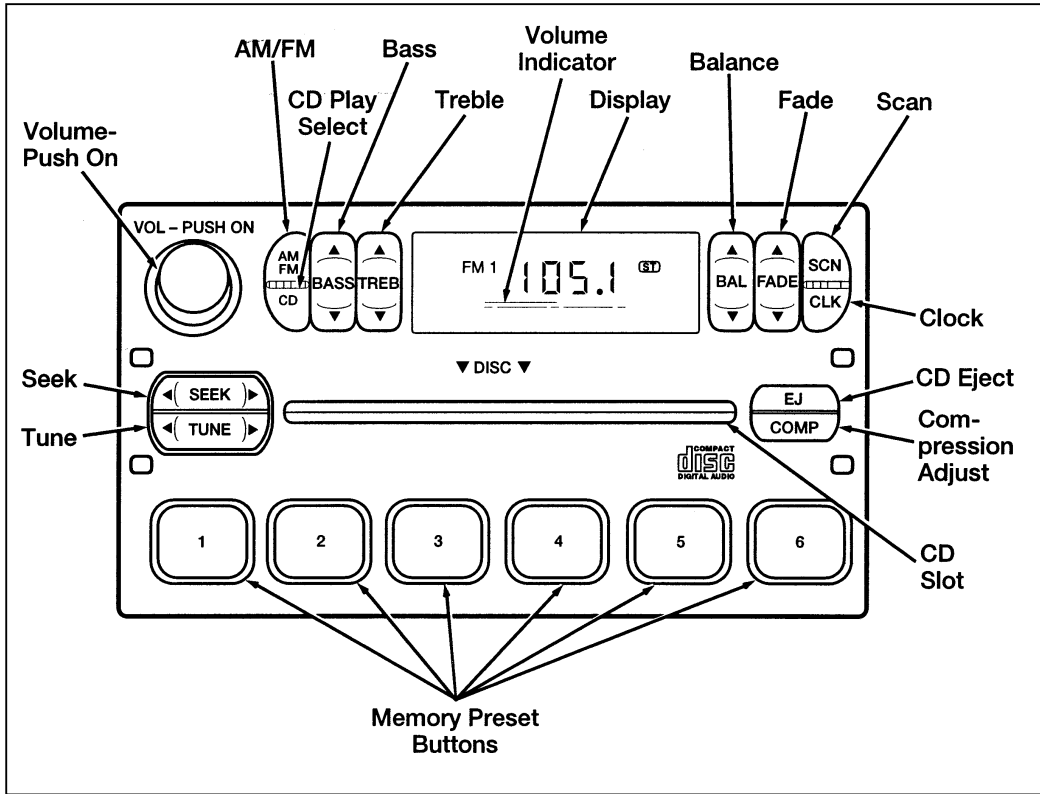
R WARNING
The laser beam used in the compact disc player is harmful to the eyes. Do not attempt to disassemble the case.

Electronic Sound Systems

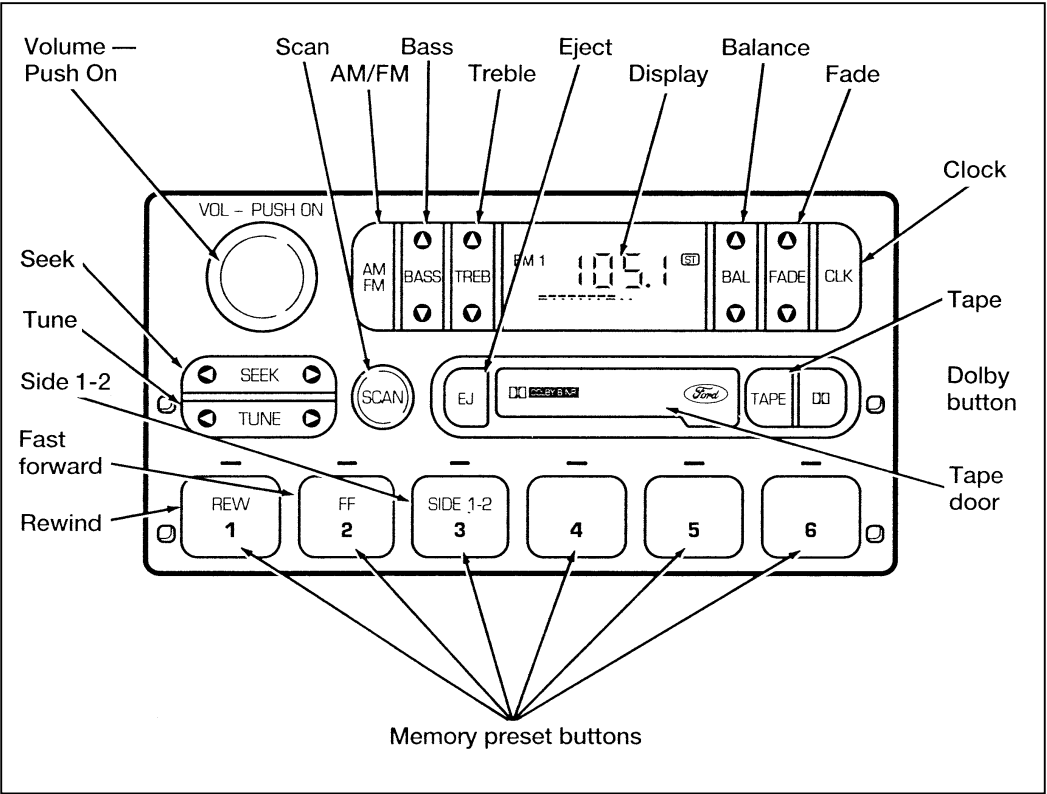


Electronic Search Radio

Electronic Search CD Player



Electronic Sound Systems



Electronic Search Cassette Radio

Electronic Search, Search Cassette Radio, and Search Single Disc CD Radio

Using the Controls on Your New Radio

How to turn the radio on and off

Press the “VOL/PUSH ON” knob to turn the radio on. Press again to turn it off.

How to adjust the volume

Turn the “VOL/PUSH ON” knob clockwise to increase the volume and counterclockwise to decrease the volume. Bars illuminate in the display to show relative volume level.

NOTE: If the volume level is set above a certain listening level when the ignition switch is turned off, when the ignition switch is turned back on, the volume will come back to a “nominal” listening level. However, if the radio power is turned off, the volume will remain in the position it was set at when radio power was switched off.

Selecting the AM or FM frequency band

Push the “AM”/FM“ button to select the desired frequency band or to stop/store cassette tape (when in cassette mode). These functions are used with the station memory buttons described under *How to tune radio stations*.

How to tune radio stations

There are four ways for you to tune in a particular station. You can manually locate the station using the “TUNE“ button, “SEEK“ button, “SCAN“ button, or select the station by using the memory buttons, which you can set to any desired frequency. These four methods are described below.

Electronic Sound Systems

■ Using the "TUNE" function

You can change the frequency up or down one increment at a time by pressing and releasing either the left ◀ or right ▶ side of the "TUNE" button.

Manual tuning adjusts your radio to any allowable broadcast frequency, whether or not a station is present on that frequency. (See *All About Radio Frequencies* in this section.)

■ Using the "SEEK" function

This feature on your radio allows you to automatically select listenable stations up or down the frequency band. Press the right (▶) side of the "SEEK" button to select the next listenable station up the frequency band. Press the left (◀) side of the button to select the next listenable station down the frequency band. By holding the button down, listenable stations can be passed over to reach the desired station.

■ Using the "SCAN" function

Pressing the "SCAN" button will begin the scan mode up the frequency band, stopping on each listenable station for approximately five seconds.

To stop the scan mode on the presently sampled station, press the "SCAN" button again.

■ Setting the Station Memory Preset buttons

Your radio is equipped with 6 station memory buttons. These buttons can be used to select up to 6 preset AM stations and 12 FM stations (6 in FM1 and 6 in FM2).

Follow the easy steps below to set these buttons to the desired frequencies:

1. Select a band, then select a frequency.
2. Press one of the memory preset buttons and hold the button until the sound returns. That station is now held in memory on that button.
3. Follow the two steps above for each station memory preset button you want to set.

Adjusting the tone balance and speaker output of your radio

■ Increasing or decreasing bass response

Press the top ▲ of the "BASS" button to increase bass; press the bottom ▼ of the "BASS" button to decrease bass.

■ Increasing or decreasing treble response

Press the top ▲ of the "TREBLE" button to increase treble; press the bottom ▼ of the treble button to decrease treble.

■ Adjusting speaker balance

Balance control allows you to adjust the sound distribution between the right and left speakers. Press the top ▲ of the "BAL" button to shift the sound to the right speakers, and press the bottom ▼ of the "BAL" button to shift the sound to the left speakers.

■ Adjusting speaker fader

Fade control allows you to adjust the sound distribution between the front and rear speakers. Press the top ▲ of the "FADE" button to shift the sound to the front speakers, and press the bottom ▼ of the "FADE" button to shift the sound to the back speakers.

Electronic Sound Systems

NOTE: Illuminated bars in the display show relative levels of bass and treble, and positions of speaker balance and fader functions (left to right, front to rear).

Using the Controls of Your Cassette Tape Player (If equipped)

NOTE: Radio power must be on to use the cassette tape player or eject a tape.

How to insert a tape

Your cassette tape player is equipped with power loading. Once you insert a tape and push slightly (with the **open edge to the right**), the loading mechanism draws the tape the rest of the way in and play will begin after a momentary tape tightening process.

NOTE: A cassette tape can be loaded and stored with the ignition and radio power off.

How to locate a desired track on the tape

There are four ways to quickly locate a desired selection on the tape. You can use the fast forward, rewind, "SEEK", or "SCAN" function. Following are brief descriptions of each.

■ Fast forwarding the tape

To fast forward the tape, press the "FF" button. The radio will begin playing until fast forward is manually stopped (by pushing the "TAPE" button) or the end of the tape is reached.

At the end of the tape, the direction automatically reverses and plays the other side of the tape.

■ Rewinding the tape

To rewind the tape, press the "REW" button. The radio will begin playing until rewind is manually stopped (by pushing the "TAPE" button) or the beginning of the tape is reached.

- Using the "SEEK" function with your cassette tape player

While in the tape mode, push the right ► side of the "SEEK" button to seek forward to the next selection on the tape. Push the left ◀ side to seek the previous tape selection.

- Using the "SCAN" function with your cassette tape player

Press the "SCAN" button to begin the forward scan mode on the tape currently playing, stopping on each tape selection for approximately an eight-second sampling (display indicates "SC").

To stop the scan mode on the presently sampled tape selection, press "SCAN" a second time.

- How to change the side of the tape being played

The alternate side of the tape can be selected by pressing the "SIDE 1-2" button.

How to eject the tape

To stop the tape and eject the cassette, press the "EJ" button. The radio will resume playing if the radio power is on. The tape cartridge can be ejected with radio power (and/or ignition) on or off.


How to switch from tape to AM/FM mode

Press the "AM/FM" button to stop the tape player and resume radio play.

Using the Dolby® B noise reduction feature

NOTE: Noise reduction system manufactured under license from Dolby Labs Licensing Corporation. "Dolby" and double-D symbol are trademarks of Dolby Laboratories Licensing Corporation.

Electronic Sound Systems

Push the  button to activate Dolby B Noise Reduction. Push again to deactivate.

Tips on Caring for the Cassette Player and Tapes

In order to keep your cassette tape player performing the way it was meant to, read and follow these simple precautions:

- Using a Ford or equivalent cassette cleaning cartridge to clean the tape player head after 10-12 hours of play will help maintain the best playback sound and proper tape operation.
- Only cassettes that are 90 minutes long or less should be used. Tapes longer than 90 minutes are thinner and subject to breakage or may jam the tape player mechanism.
- Protect cassettes from exposure to direct sunlight, high humidity and extreme heat or cold. If they are exposed to extreme conditions, allow them to reach a moderate temperature before playing.
- If a tape is loose inside the cassette, tighten it before playing by putting your finger or a pencil into one of the holes and turning the hub until the tape is tight.
- Loose labels on cassette tapes can become lodged in the mechanism. Remove any loose label material before inserting cassette.
- Do not leave a tape in the cassette tape player. High heat in the vehicle can cause the cassette to warp.

Using the Controls of Your Compact Disc Radio (If equipped)

Your Ford Compact Disc Radio is capable of playing 12 cm or 8 cm discs. The player operates when the power is on and a disc is inserted (label side up). Handle the disc by the edge only. Be sure to read and follow all of the care and cleaning instructions under *How to Take Care of and Clean Your CD Player and Discs*.

The digital display on your CD player will either show the track (selection) number or the elapsed time. Select the display mode by pressing the "CLK" button. Indicators for play (▶), stop (■), and compression (C) are also on the display. These features are described later.

Once a disc is inserted, operation of the CD player will override the radio.

NOTE: The volume, bass, treble, balance, and fader controls on the radio are also used with the CD player. Refer to the earlier operating instructions about these controls.

Inserting a disc and beginning play

Insert a disc, label side up, into the disc opening. When inserted, the disc automatically loads into the unit and play starts at the beginning of the first track (selection).

NOTE: Once a disc is inserted, the disc opening is secured to prevent the accidental insertion of another disc.

NOTE: The CD player has heat protection circuitry to protect the laser diode. If the temperature of the player reaches 167°F (75°C), the heat detection circuit will shut off the player and "CD HOT" will scroll in the display for approximately five seconds (radio will resume playing). When the temperature returns to normal operating range, the CD player will again be operational.

Electronic Sound Systems

How to stop and restart the CD player

When a disc is loaded, the unit automatically enters the play mode. To stop temporarily, press the "AM/FM" button. The stop indicator (■) in the display illuminates and operation returns to the radio mode. To resume CD play, press the "CD" button.

NOTE: If the ignition key is turned to OFF during play and then is turned to the ON or ACCESSORY position, the CD player will resume playing in the mode it was in when the ignition was turned off.

Using the "SEEK" feature

The "SEEK" feature allows you to quickly find a particular selection on the disc.

Press (◀) once to repeat the current playing selection. Press (▶) to advance to the next selection. If the (▶) button is pressed during the last selection on the CD, the CD will advance to the first track on the disc.

Pressing and holding the (◀) or (▶) button will scroll backward and forward respectively through the tracks.

Using the "SCAN" function

The "SCAN" function allows you to briefly sample all tracks on a disc.

Press the "SCN" button to enter the scan mode. The scan mode causes the CD to advance to the next track, play for 8 seconds, and then advance to the next track. This continues until the "SCN" button is pressed a second time, the "CD" button is pressed, or a different tuning function is selected.

Using the compression feature

The compression feature will bring soft and loud passages together for a more consistent listening level.

Press the "COMP" button to turn compression on. When on, the compression indicator ("C") will appear in the display. Press the button again to turn off.

How to fast forward or reverse your CD player

To quickly search for a particular point in a selection, press the (▶) side of the "TUNE" button (to fast forward) or press the (◀) side (to reverse). While either button is pressed, the disc goes forward or backward at two different speeds depending on how long the button is held down. Pressing and holding either button for more than three seconds will speed up the process. Release the button at the desired point (found by watching the elapsed playing time in the display or by listening to the sound during fast forward or reverse). When you have reached the beginning of track 1, the CD player will begin playing.

When you reach the end of a track, the CD will advance to the next track and continue at high speed. When the end of the CD is reached, the fast forward function stops. In a similar way, holding the (◀) button will reverse the CD until the beginning of the CD is reached.

How to eject the disc

Press the "EJ" button to stop play, eject the disc, and resume radio operation.

NOTE: You can eject the disc while the radio power and/or ignition is on or off.

Electronic Sound Systems

Clock Operation

How to view the clock mode

Press the "CLK" button to display time. The time will continue to be displayed until a radio or tape function is chosen. After approximately 10 seconds, the time will again appear in the display. To display radio or tape information only, press the "CLK" button a second time.

NOTE: The clock can be displayed or set whether the ignition is on or off.

How to set the clock

1. Turn the radio on.
2. Press and hold the "CLK" button, press the right (▶) side of the "SEEK" button to increase hours. Press the left (◀) side of the button to decrease hours. Press the right (▶) side of the "TUNE" button to increase minutes. Press the left (◀) side of the button to decrease minutes.

NOTE: The clock displays 12-hour time with no AM/PM indications.

Common Radio Reception Conditions

Several conditions prevent FM reception from being completely clear and noise-free, such as the following:

1. Distance/Strength

The strength of the FM signal is directly related to the distance the signal must travel. The listenable range of an average FM signal is approximately 25 miles (40 kilometers). Beyond this distance, the radio is operating in a fringe area and the signal becomes weaker.

2. Terrain

The terrain (hilly, mountainous, tall buildings) of the area over which the signal travels may prevent the FM signal from being noise-free.

If there is a building or large structure between the antenna and station, some of the signal "bends" around the building, but certain spots receive almost no signal. Moving out of the "shadow" of the structure will allow the station to return to normal.

When the radio waves are reflected off objects or structures, the reflected signal cancels the normal signal, causing the antenna to pick up noise and distortion. Cancellation effects are most prominent in metropolitan areas, but also can become quite severe in hilly terrain and depressed roadways.

To minimize these conditions, a stereo/mono blend circuit has been incorporated into this system. This feature automatically switches a weak stereo signal to a clearer monaural signal, which improves the quality of reception.

Several sources of static are normal conditions on AM frequencies. These can be caused by power lines, electric fences, traffic lights and thunderstorms.

Another reception phenomenon is **Strong Signal Capture and Overload**. This can occur when listening to a weak station and when passing another broadcast tower. The close station may capture the more distant station, although the displayed frequency does not change. While passing the tower, the station may switch back and forth a few times before returning to the original station.

Electronic Sound Systems

When several broadcast towers are present (common in metropolitan areas), several stations may overload the receiver, resulting in considerable station changing, mixing and distortion.

Automatic gain control circuitry for both AM and FM bands has been incorporated into this system to reduce strong signal capture and overload.

All About Radio Frequencies

The Federal Communications Commission (FCC) and the Canadian Radio Telecommunications Commission (CRTC) establish the frequencies that AM and FM radio stations may use for their broadcasts. The allowable frequencies are, AM: 530, 540...1600, 1610 kHz in 10 kHz steps; FM: 87.9, 88.1...107.7, 107.9 MHz in 0.2 MHz steps.

Not all frequencies will be assigned to a given area. This radio will tune to each of these frequencies using manual tune and no fine tuning is necessary as radio stations may not use other frequencies.

Some FM radio stations advertise a "rounded-off" frequency which is not the frequency they actually broadcast on. For example, a radio station that is assigned a frequency of 98.7 MHz may call itself "Radio 99" even though 99.0 MHz is not an allowable FM broadcast frequency.

Important Warranty and Service Information

Warranty

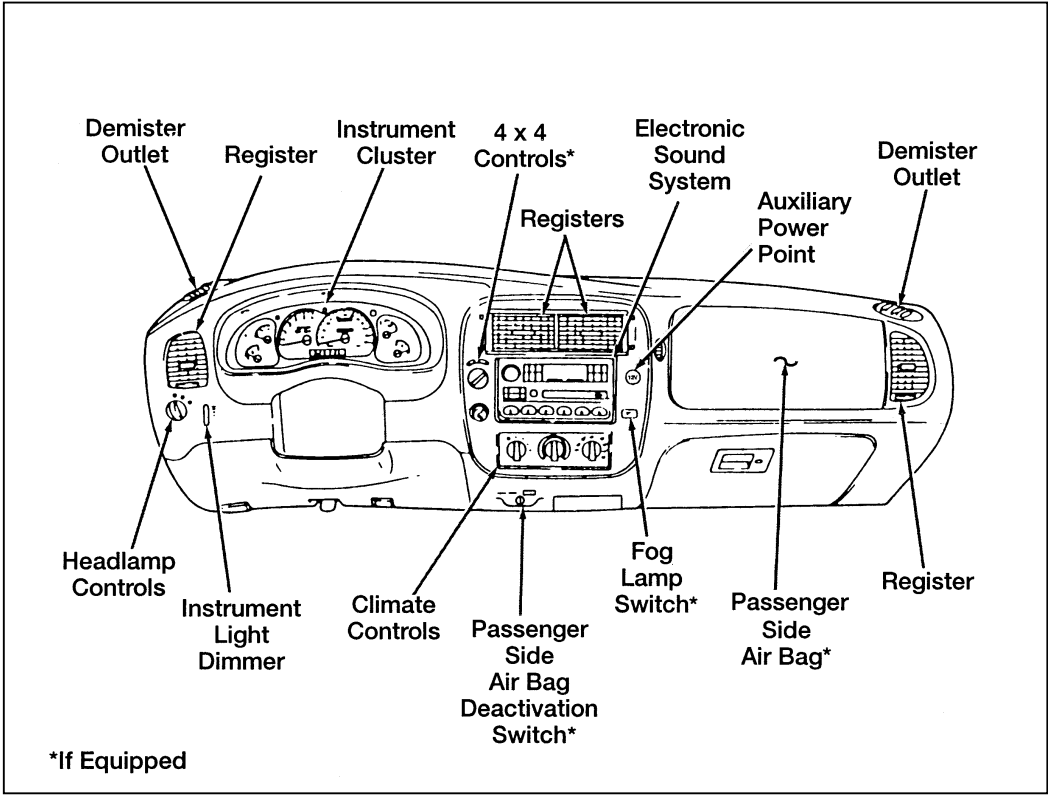
Your sound system is warranted for three years or 36,000 miles (60,000 kilometers), whichever comes first. Consult your vehicle warranty booklet for further information. Ask your dealer for a copy of this limited warranty.

Service

At Ford, we stand behind our audio systems with a comprehensive service and repair program. If anything should go wrong with your Ford audio system, return to your dealer for service. There is a nationwide network of qualified Ford authorized repair centers to assist you.

Controls and Features

Your vehicle has a variety of features designed for your comfort, convenience and safety. Read this chapter to find out about standard and optional features.



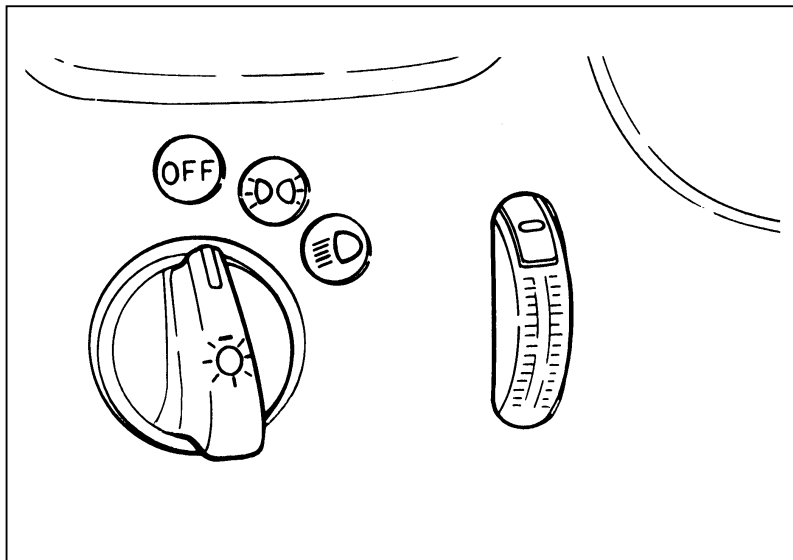
Controls and Features

The Interior and Exterior Lights

Turning On the Exterior Lights

To turn on your headlamps, parking lamps, marker lamps, license plate lamps and tail lamps, use the headlamp control knob to the left of the steering column.

1. Rotate the headlamp control knob to the first position. Parking lamps, tail lamps, license plate lamps and marker lamps are now on.
2. Rotate the headlamp control knob to the next position. Headlamps are now on in addition to the above.
3. Rotate the thumb wheel when the headlamp control knob is in an "ON" position to brighten or dim the instrument panel lamps. Rotate fully upward to operate courtesy and cargo lamps.



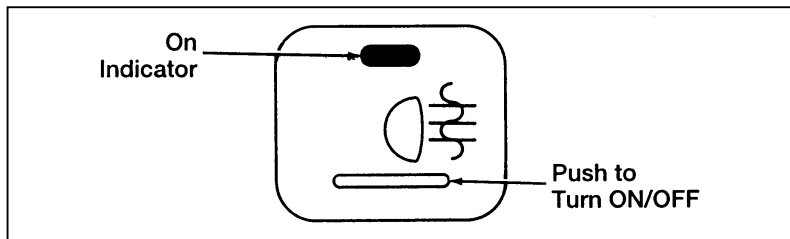
Headlamp control knob

Fog Lamps (If equipped)

The fog lamps switch is located on the instrument panel to the right of the radio and climate control.

- To turn the fog lamps on, turn on the low-beam headlamps, then push the fog lamp switch. An indicator light will glow when the lamps are on.
- To turn off, push the switch again.

Controls and Features



Fog lamp switch

The fog lamps act as a supplement to the low beam headlamps under limited visibility conditions such as rain, snow, dust or fog and operate only when the low beam headlamps are on.

To maximize fog lamp bulb life, it is recommended that the fog lamp switch be turned off after each use prior to turning off the headlamps.

Daytime Running Light System

(Canadian vehicles only)

The Daytime Running Light (DRL) system turns the high beam headlamps on, with a reduced light output, when:

- The headlamp system is in the OFF position, and
- The vehicle has a fully released parking brake.
- The vehicle is running.

The high beam indicator light on the instrument cluster will not be on.

R WARNING
The Daytime Running Light (DRL) system will not illuminate the tail lamps and parking lamps. Turn on your headlamps at dusk. Failure to do so may result in a collision.

Lighting Up the Instrument Panel and the Interior of Your Vehicle

The instrument panel lights can be turned on by turning the headlamp knob toward either the first or second position. You can brighten or dim the instrument panel lights by rotating the thumb wheel.

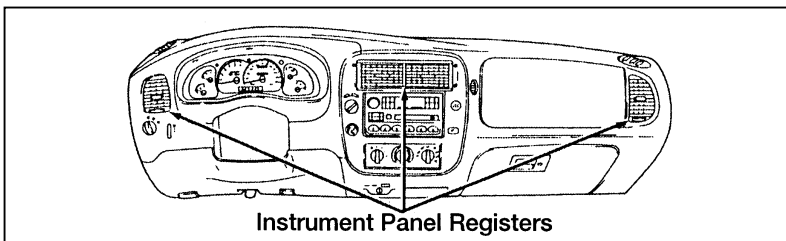
The interior lights will shut off after 25 seconds with all the doors closed, or immediately when the ignition switch is turned to the ON position, or if the vehicle speed is above five MPH (8 km/h). The interior lights will turn off after 40 minutes if any of the doors are left open. Refer to *Battery Saver* in the *Features* section for more details.

The Climate Control Systems

Your vehicle is equipped with a control assembly designed to handle either a combination A/C-Heater System or a Heater-Only System.

Instrument Panel Registers

There are four registers in the instrument panel. Each of these registers contains a louver assembly which can be manually adjusted to direct airflow up, down, left and right. An illustration of the register locations follows.

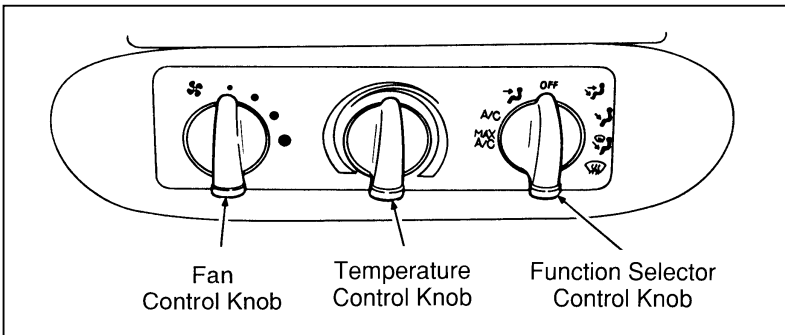


Instrument panel registers

Controls and Features

Air Conditioning (A/C) Controls (Manual Air Conditioning)

The control for your air conditioning and heater system is located at the center of the instrument panel below the radio and will operate only when the ignition key is turned to the ON position. Your air conditioner and heater will heat and/or cool your vehicle interior depending on the function position and temperature you select. The function selector control knob allows you to select heating or cooling and determine where the air will be directed. The temperature control knob setting determines the temperature of the air that flows into the vehicle.



Climate control knobs

To turn your air conditioner and heater system on, select any position except OFF. This will turn the fan on and allow airflow into the vehicle. To turn your air conditioner and heater off, select OFF. This will turn the fan off and stop airflow from coming into the vehicle.

Temperature selection

The temperature control knob is the rotating knob located at the center of the control with tapered red and blue bands surrounding most of the knob. The wide red part of the band (full right) is the heat or warmer area. The wide blue area (full left) is the cooling or cool temperature area. Any position selected between full right and full left will give a temperature between the two extreme temperatures.

☼ Fan speed adjustment

The ☼ (left) knob on the control is the fan control knob which controls the volume of air flow. Rotate the ☼ knob to the right to increase fan speed and increase the amount of air entering the vehicle. Four fan speed positions are available and are indicated by dots beside the ☼ control knob. The largest dot is high speed position.

Airflow selections

↯ (Panel)

Use ↯ to bring outside air through the instrument panel registers. You can heat the air in this position by rotating the temperature knob into the red area. The air CANNOT be cooled below the outside temperature regardless of the temperature knob setting. Select A/C or MAX A/C to get cool air through the instrument panel registers.

A/C


Select A/C to get refrigerated outside air through the instrument panel registers. The A/C position is used for cooling except when it is extremely hot or fast cooling of the vehicle is needed. Then, select MAX A/C for fast cooling and return to A/C when you are comfortable.

Controls and Features



MAX A/C

The MAX A/C position produces cool air more rapidly to provide faster cooling of your vehicle. This is possible because cooler air is drawn from inside the passenger area and refrigerated again instead of using warmer outside air. Using inside air will also make the fan sound louder and is normal when using MAX A/C. The air flow will be from the instrument panel registers.


(Panel and Floor)

Select  to direct airflow to the floor and through the instrument panel registers at the same time. This selection can be used to either heat or cool your vehicle. The air conditioner will operate to cool the air if the outside temperature is about 50°F (10°C) or warmer.



(Floor)

Select  to direct air to the floor. The air cannot be cooled in the  position but can be heated by rotating the temperature knob into the red area.

(Floor and Defrost)


Select  to direct air to the floor and windshield defrosters at the same time. If the outside temperature is about 50°F (10°C) or warmer, the air will also be dehumidified to remove moisture. This feature will help prevent fogging in humid weather. The air can be cooled or heated.

(Defrost)

Select  to obtain maximum airflow to the windshield. Rotate the temperature knob into the red area for the air temperature required to defrost. When the outside temperature is about 50°F (10°C) or warmer, the air will be dehumidified to remove moisture. Rotate the  knob to increase the airflow.

Operating tips

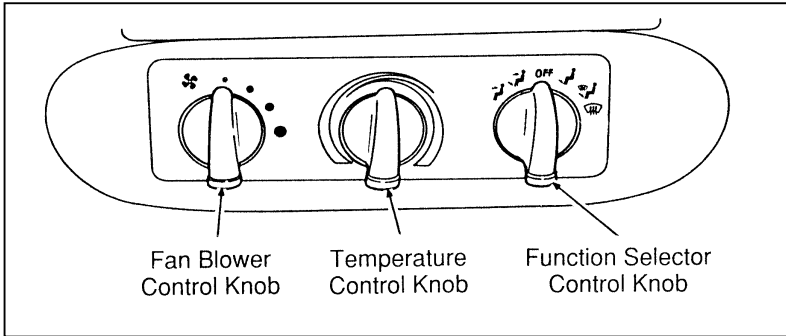
The following tips will help you to get the most satisfaction from your air conditioning (if equipped) and heater system.

- In humid weather, select  before starting your engine. This will help to prevent windshield fogging. After a few minutes of operation, you may select another function.
- To prevent humidity buildup inside your vehicle, always drive with the air conditioner or heater system turned on.
- Do not put objects under the front seats that interfere with the flow of air to the back seat area.
- Remove any snow, ice, or leaves from the air intake area of your air conditioner and heater system that could block the air intake. The intake area is located at the bottom of the windshield.

Heater Controls (Heater-Only Vehicles)

The control for your heater system is located at the center of the instrument panel below the radio. The heater will operate only when the ignition key is turned to the ON position. Your heater will heat and/or ventilate your vehicle interior depending on the function position and temperature you select. The function selector control knob allows you to select heating or ventilation and determine where the air will be directed. The temperature control knob setting determines the temperature of the air that flows into the vehicle.

Controls and Features



Climate control knobs (heater only)

To turn your heater system on, select any position except OFF. This turns the fan on and allows airflow into the vehicle. To turn your heater off, select OFF.

Temperature selection


The temperature control knob is the rotating knob located at the center of the control with tapered red and blue bands surrounding most of the knob. The wide red part of the band (full right) is the heat or warmer area. The wide blue area (full left) is the cool or unheated temperature area. Any position selected between full right and full left will give a temperature between the two extreme temperatures. The cool temperature you select will not be cooler than the outside temperature.

☸ Fan speed adjustment


The ☸ (left) knob on the control is the fan control knob which controls the volume of airflow. Rotate the ☸ knob to the right to increase fan speed and increase the amount of air entering the vehicle. Four fan speed positions are available and are indicated by dots beside the ☸ control knob. The largest dot is high speed position.

Airflow selections



(Panel)

Use  to bring outside air through the instrument panel registers. You can heat the air in this position by rotating the temperature knob into the RED area. The air cannot be cooled below the outside temperature regardless of the temperature knob setting.


(Panel & Floor)

Select  to get airflow to the floor and through the instrument panel registers at the same time. This selection can be used to either heat or ventilate your vehicle.



(Floor)

Select  to direct air to the floor. The air cannot be cooled in the  position but can be heated by rotating the temperature knob into the red area.

(Floor & Defrost)

Select  to get air to the floor and windshield defrosters at the same time.

(Defrost)

Select  to obtain maximum air flow to the windshield. Rotate the temperature knob into the red area for the air temperature required to defrost. Rotate the  knob to increase the air flow.

Controls and Features

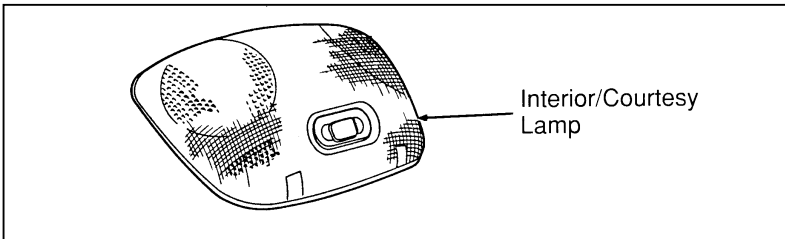
Operating tips

The following tips will help you to get the most satisfaction from your heater system.

- To prevent humidity buildup inside your vehicle, always drive with the heater system turned on.
- Do not put objects under the front seats that interfere with the flow of air to the back seat area.
- Remove any snow, ice, or leaves from the air intake area at the bottom of the windshield.

Courtesy and Dome Lamps

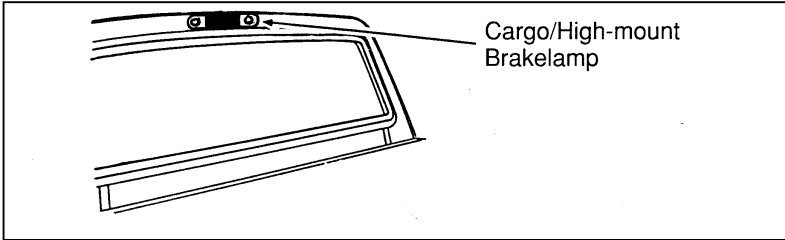
The interior/courtesy lamp is automatically turned on when the driver or passenger door is opened or doors are unlocked with the remote entry system (if equipped). Turning the thumb wheel fully counterclockwise will operate the interior lamp when the doors are closed.



Interior/Courtesy lamp

Combination Cargo and High-Mount Brakelamp

The combination cargo/high-mount brakelamp is located outside the vehicle, directly over the rear window. Use the thumb wheel to turn on the cargo lamp and interior courtesy lights.



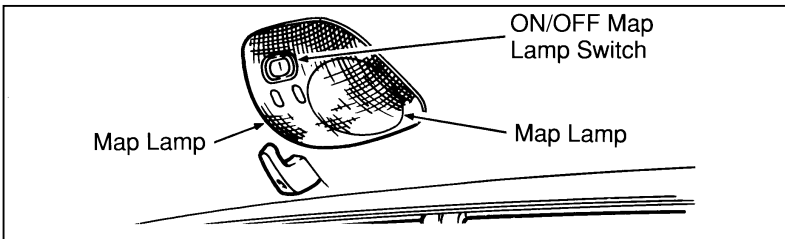
Cargo/High-mount brakelamp

R WARNING

Do not drive your vehicle with the cargo/courtesy light on. Showing a white light to the rear while driving on public roads is illegal in some places.

Dome/Map Lamps (If equipped)

The map lamps are located on each side of the dome light assembly. You can turn the individual map lamps on or off by sliding the switch to the left or right. To turn off, slide the switch to the middle.



Map lamps

Controls and Features

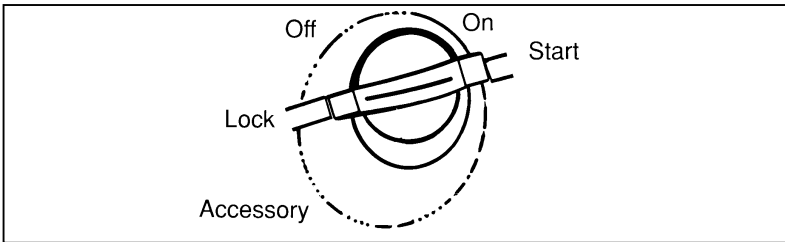
Clock Controls on Electronic Radios

The electronic radios have a built-in clock. For complete operating instructions, refer to the *Audio Section* in this Owner Guide.

The controls on the steering column and wheel are designed to give you easy access to the controls while you are driving.

Ignition

Understanding the Positions of the Ignition



The positions of the key in the ignition lock cylinder.

ACCESSORY allows some of your vehicle's electrical accessories such as the radio and the windshield wipers to operate while the engine is not running.

In order to turn the key from the ON or OFF position to the ACCESSORY position, you must push the key release button if your vehicle's manual transmission gearshift is mounted on the floor.

LOCK locks the steering wheel and gearshift lever.

R WARNING

LOCK position does not lock the gearshift on floor-mounted manual transaxle gearshifts. If the parking brake is not set and the gearshift is moved out of gear, your vehicle may move unexpectedly and injure someone.

R WARNING

Do not leave the vehicle unattended with the transfer case in the N (Neutral) position. Always set the parking brake fully and turn off the ignition when leaving the vehicle.

LOCK is the only position that allows you to remove the key. The LOCK feature helps to protect your vehicle from theft.

If your key is stuck in the LOCK position and will not turn, move your steering wheel left or right until the key turns freely.

OFF allows you to shut off the engine and all accessories without locking the steering wheel or the automatic transmission gearshift lever.

ON allows you to test your vehicle's warning lights (except the brake system warning light) to make sure they work before you start the engine. The key returns to the ON position once the engine is started and remains in this position while the engine runs.

START cranks the engine. Release the key once the engine starts so that you do not damage the starter. The key should return to ON when you release it. The START position also allows you to test the brake warning light.

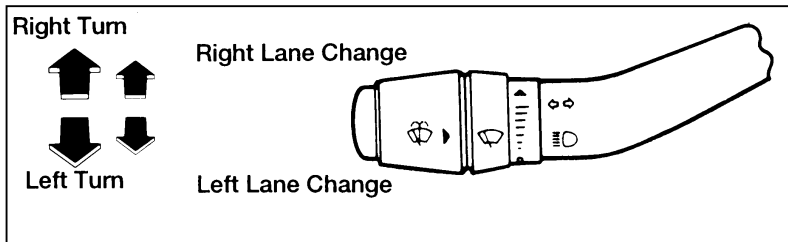
Controls and Features

The Turn Signal Lever

You can use the turn signal lever on the left side of the steering column to:

- operate the turn signals and cornering lamps
- turn the high beams on/off
- flash the lamps
- turn the windshield wipers and washer on/off

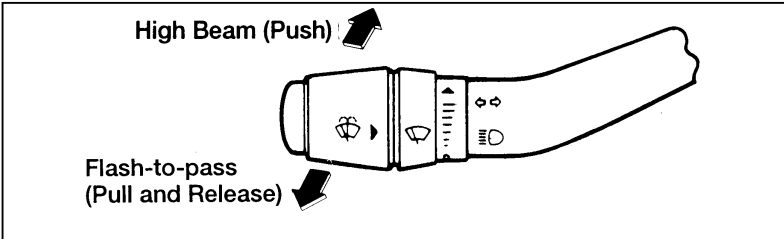
Turn Signals



Turn signal lever and functions

If the turn indicator light in the instrument panel does not illuminate or remains on (doesn't flash) when you signal a turn, the turn signaling system is malfunctioning. Have this condition corrected as soon as possible, but make sure that you use the accepted hand signals in the meantime.

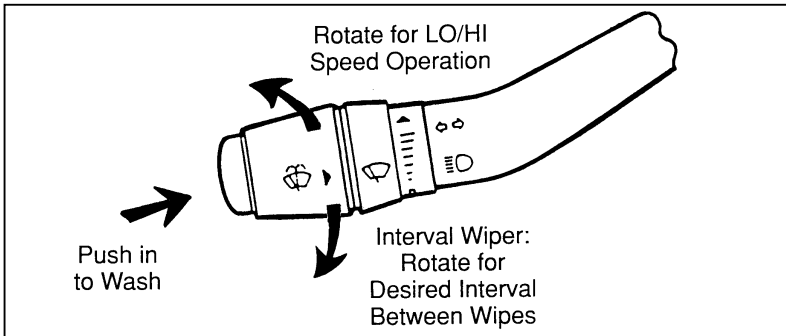
High Beams and Flashing the Lamps



Headlamp high beam switch and turn signal lever on steering column

Windshield Wipers and Washer

To turn on the windshield wipers, the ignition key must be turned to the ON or ACC position.



Interval wiper on turn signal lever

To set the interval wipers, rotate the knob at the end of the turn signal lever toward or away from the instrument panel to the interval operation you desire.

Controls and Features

To clean the windshield, push in the end of the wiper knob for a single wipe. For a constant spray, keep the knob pushed in. After you release the knob, the wipers operate for two to three cycles before turning off (if wipers were off) or returning to the interval setting selected.

Do not try to clean the windshield when the washer fluid container is empty or activate the washers at any time for more than 15 seconds continuously. This could damage the washer pump system.

NOTE: The addition of shields to the front of the vehicle, as used to deflect bugs, may also adversely affect the washer system from delivering fluid to the windshield. Devices such as bug shields are not recommended to be added to your vehicle.

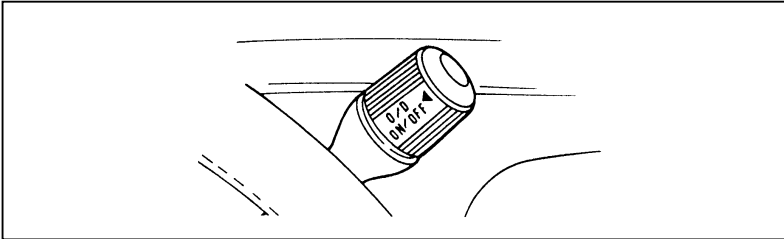
R WARNING

Always warm up the windshield with the defroster before you use the washer fluid. In freezing weather, the washer solution may freeze on the windshield and obscure your vision.

For information about refilling the washer fluid or replacing your windshield wiper blades, see *Windshield washer fluid and Wipers* in the Index.

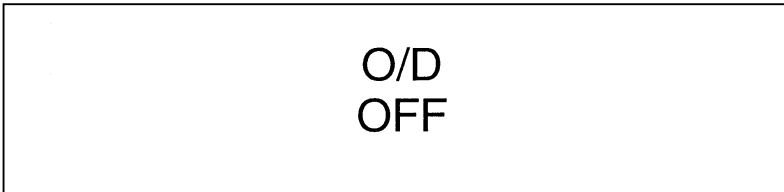
Gearshift Lever (Automatic transmission only)

The gearshift lever on your Ranger is mounted on the steering column. On the end of the gearshift lever is the transmission control switch. For additional information about the gearshift lever and the transmission control switch, see the *Driving Your Ranger* chapter.



Transmission Control Indicator Light (TCIL)

The TCIL indicates the operating range of the transmission. The TCIL is located in the instrument cluster. This light illuminates when the transmission control switch is depressed. For additional information, refer to the *Driving* chapter.

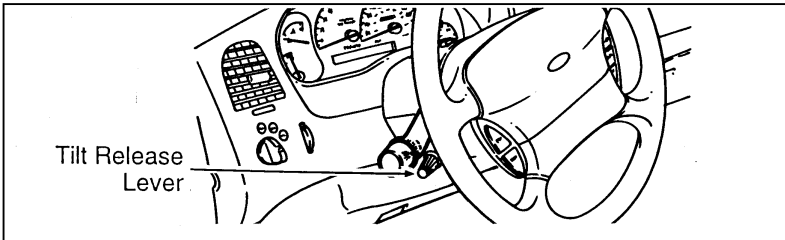


Controls and Features

Tilt Steering (If equipped)

R **WARNING**

Never adjust the steering wheel when the vehicle is moving.



Tilt steering wheel lever

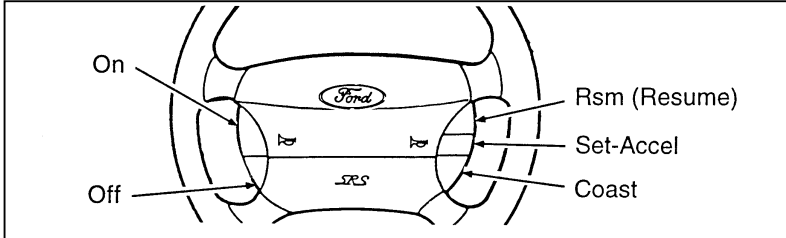
To change the position of the steering wheel, push the release lever under the steering column away from you. Tip the steering wheel to the desired position. Pull the lever back into place to lock the steering wheel.

Be sure the steering wheel locks in a notch. It is not infinitely adjustable. Do not adjust the steering wheel while the vehicle is in motion.

Speed Control (If equipped)

The speed of the vehicle cannot be automatically controlled until the vehicle speed is at or above 30 mph (48 km/h).

Use of radio transmitting equipment that is not Federal Communications Commission (FCC) or in Canada the Canadian Radio and Telecommunications Commission (CRTC) approved may cause the speed control to malfunction. Therefore, use only properly installed FCC (CRTC in Canada) approved radio transmitting equipment in your vehicle.



The speed control switches

To Turn Speed Control Off

- Press OFF,
- Turn off the vehicle ignition.

Once speed control is switched off, the previously programmed set speed will be erased.

To Turn Speed Control On

- Press ON

To Set a Speed

Press SET ACCEL. For speed control to operate, the speed control must be ON and the vehicle speed must be greater than 30 mph (48 km/h). The SPEED CONT light will illuminate in the instrument cluster when a speed is set/engaged.

If you drive up or down a steep hill, your vehicle speed may vary slower or faster than the set speed. This is normal.

Speed control cannot reduce the vehicle speed if it increases above the set speed on a downhill. If your vehicle speed is faster than the set speed while driving downhill in j (Overdrive), you may want to shift to the next lower gear to reduce your vehicle's speed.

Controls and Features

R WARNING

To keep your vehicle under control, do not use speed control in heavy traffic or on roads that are winding, slippery, or unpaved.
--

To Set a Higher Speed

- Press and hold SET ACCEL. Release the switch when the desired vehicle speed is reached, or
- Press and release SET ACCEL. Each press will increase the set speed by 1 mph (1.6 km/h) or
- Accelerate with your accelerator pedal, then press SET ACCEL.

You may accelerate with the accelerator pedal at any time during speed control usage. Releasing the accelerator pedal will return your vehicle speed to the previously programmed set speed.

To Set a Lower Set Speed

- Press and hold COAST. Release the switch when the desired vehicle speed is reached, or
- Press and release COAST. Each press will decrease the set speed by 1 mph (1.6 km/h) or
- Depress the brake pedal. When the desired vehicle speed is reached, press SET ACCEL.

To Disengage Speed Control

- Depress the brake pedal, or
- Depress the clutch pedal (if equipped).

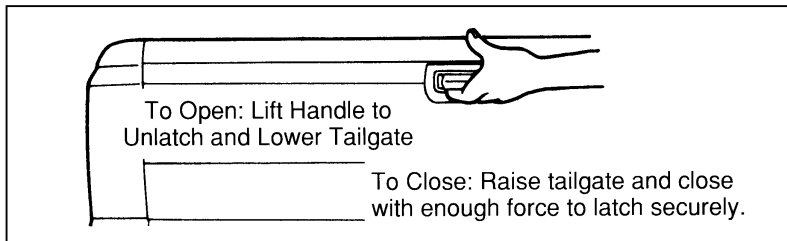
Disengaging the speed control will not erase the previously set speed and the SPEED CONT light will turn off.

To Return to a Set Speed

- Press RSM. For RSM to operate, the vehicle speed must be faster than 30 mph (48 km/h).

Doors

Tailgate



Tailgate operation

When open, the tailgate load should not exceed 500 lbs (227 kgs). If you want to load heavy items onto your vehicle, Ford recommends that you load them one at a time, directly on the bed floor to avoid damage to the tailgate or its supports.

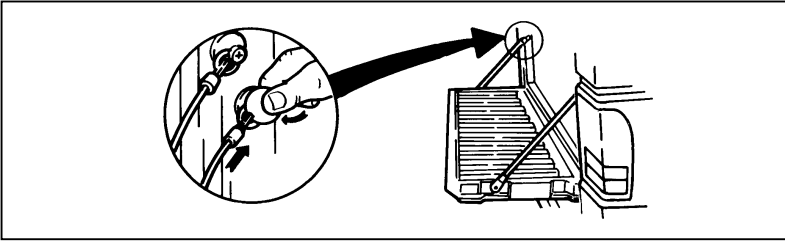
To release the tailgate:

Open the tailgate as directed above, but support it to allow for slack in the cables at both sides. Use a coin or similar object to pry the spring clip (on each upper cable connector) past the head of the support screw. Doing so will allow you to center the wider opening in the connector over the screw head and disconnect it.

Controls and Features

If you disconnect the upper end of each cable, you can lower the tailgate completely.

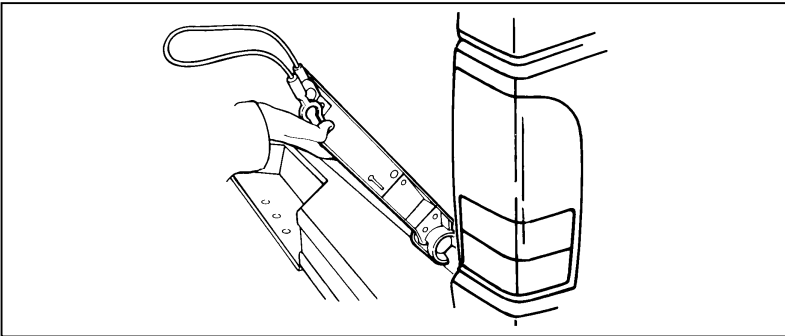
NOTE: Step bumpers or hitches may damage the tailgate if it is lowered completely.



Releasing the tailgate

Tailgate removal

First release the tailgate as described above. Be sure to support the left side to prevent it from falling. Then raise the tailgate to a 45 degree angle (see the following illustration) and lift the right side of the tailgate off its hinge. You can now pull the left side of the tailgate away from the left hinge.



Tailgate removal

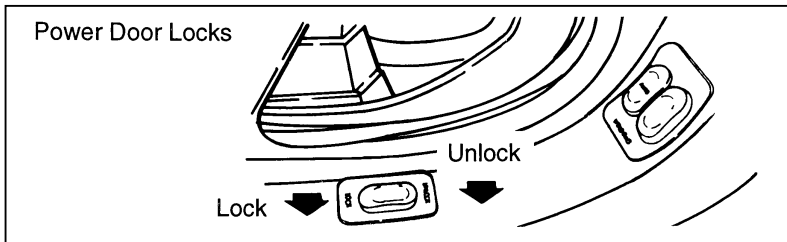
R WARNING

Do not drive your vehicle with the tailgate open unless there is a load holding it in place.

Power Door Locks (If equipped)

The power door lock switches are located in the front doors. To lock all doors push the switch marked L. To unlock all doors push the switch marked U.

The manual door locks will override the power door lock controls.



Power door lock controls

Windows

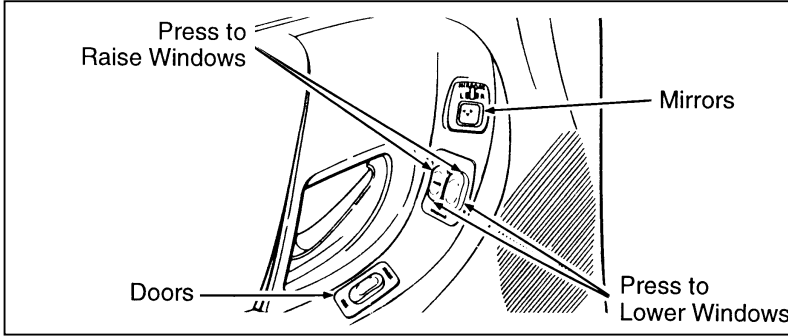
Using the Power Windows (If equipped)

Each door has a power control that opens and closes the window on that door. The driver's door has a master control switch that operates all door windows. You must place the ignition switch in the ON or ACC position to use your power window controls.

R WARNING

Do not let children play with the power windows.

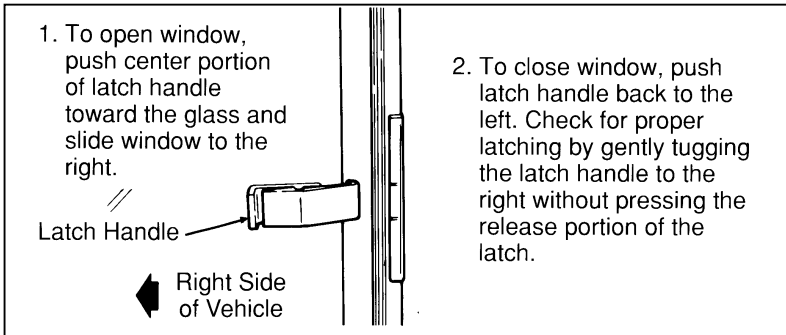
Controls and Features



Master control switch

Sliding rear window (If equipped)

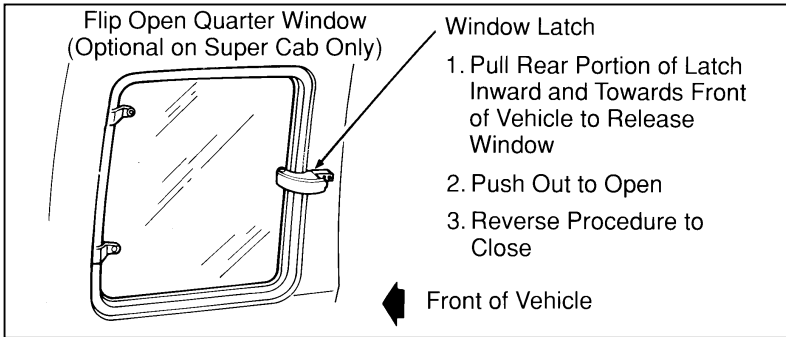
The sliding rear window has only one sliding portion. Follow the operating instructions shown in the following illustration.



Sliding rear window operation

SuperCab quarter windows (if equipped)

To open the optional flip quarter windows on the Ranger SuperCab models, follow the operating instructions shown in the following illustration.



SuperCab flip open quarter window

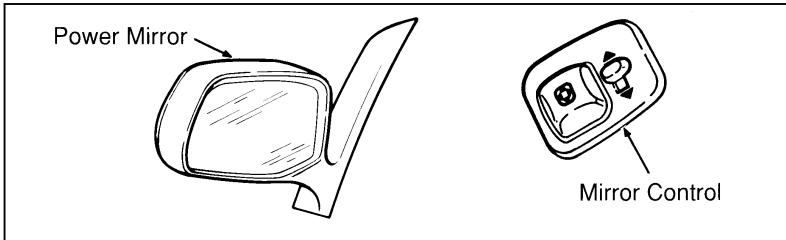
Dual Electric Remote Control Mirrors (If equipped)

To adjust the remote controlled side mirrors:

1. Find the control switch in the driver's door panel.
2. Select the right or left mirror by moving the selector switch to the right or left.

Controls and Features

3. Move the control knob in the direction you want to move the mirror.
4. Return the selector switch to the middle position to keep the mirror in place.



Power mirror control

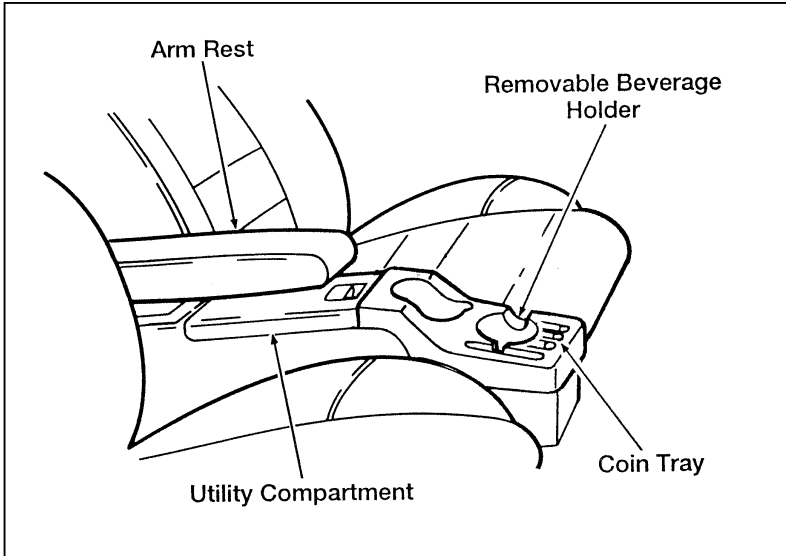
Do not clean the plastic housing of any electric mirror with gasoline or other petroleum-based cleaning products.

R WARNING

The right side view mirror makes objects appear smaller and farther away than they actually are.

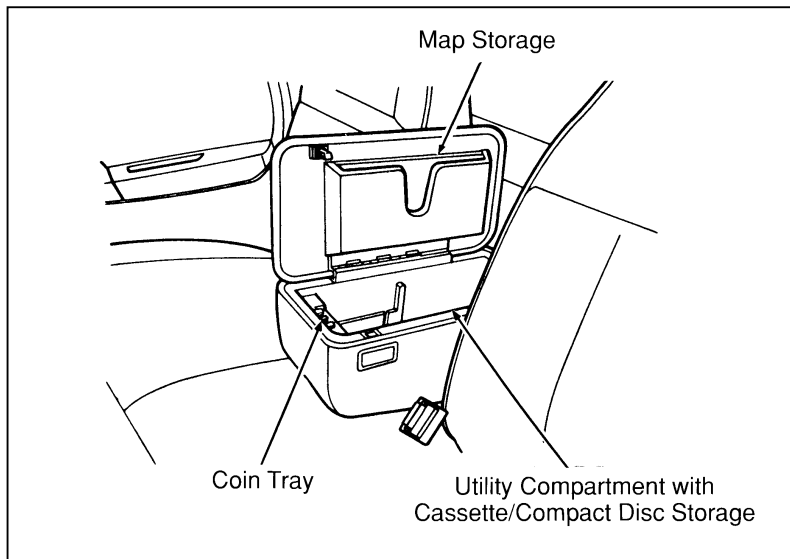
Console (If equipped)

Your vehicle may have a full console. The full console has the features shown in the illustration below.



The features on the console — bucket seats

Controls and Features

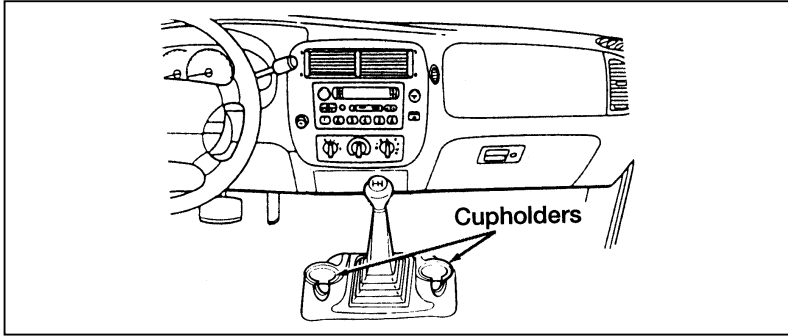


Storage armrest — 60/40 split bench

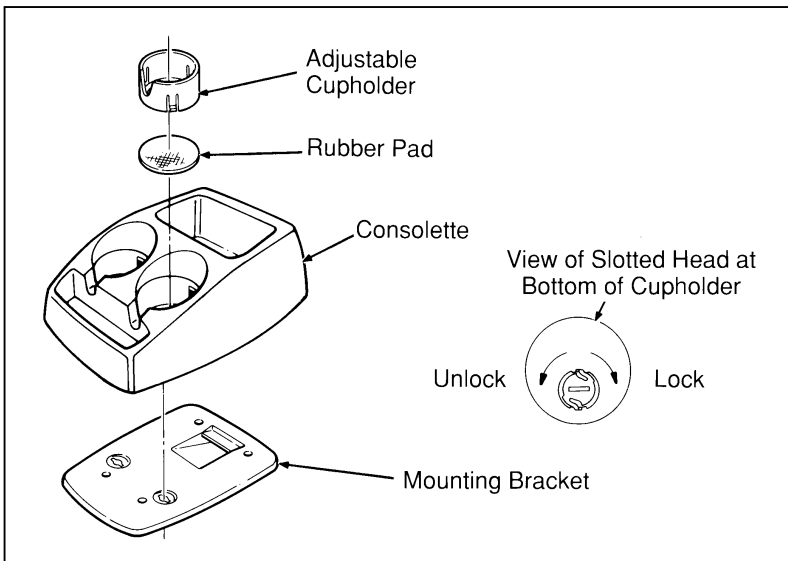
Floor Mounted Cupholders (If equipped)

If your vehicle has a bench seat, you may have floor mounted cupholders. On manual transmission vehicles, the cupholders are located on the floor on either side of the gearshift lever. On automatic transmission vehicles, a removable console is located on the floor. The console may be removed when the center bench seat position is occupied.

The inside of the cupholders can be adjusted to various heights to accommodate different size cups. They can also be removed to allow access and cleaning of the rubber padding at the bottom of the cupholder.



Floor mounted cupholders — manual transmission



Floor mounted cupholders — automatic transmission

Controls and Features

To remove the automatic transmission console:

1. Pull the adjustable portion of each cupholder from the console.
2. Remove the rubber pad at the bottom of each cupholder.
3. Using a quarter, turn the slotted head at the bottom of each cupholder 90° (one quarter turn).
4. Lift the console from the floor and secure it in a safe place.

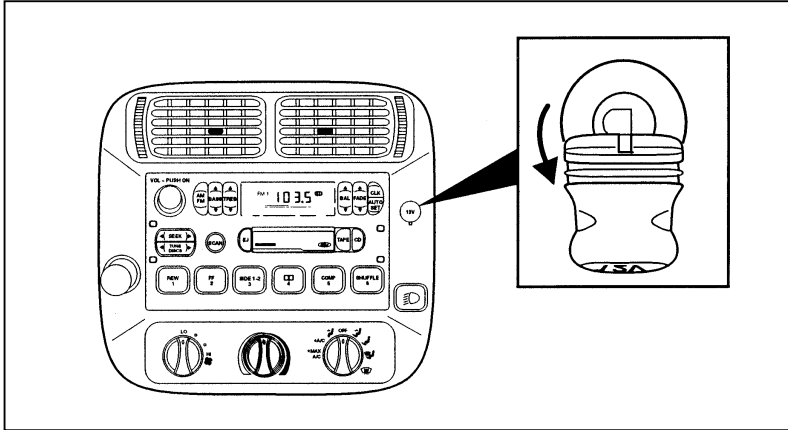
Power Point Electrical Outlets

The two power point outlets should be used in place of the cigarette lighter for optional electrical accessories.

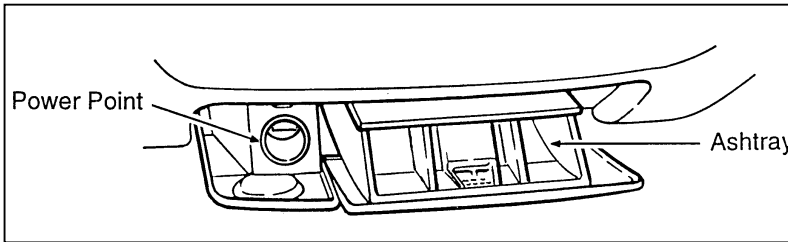
The instrument panel power point is located to the right of the radio.

Vehicles equipped with the Passenger Air Bag Deactivate switch do not come equipped with an auxiliary power point to the left of the ashtray.

NOTE: Do not plug optional electrical accessories into the cigarette lighter. Use the power point.



The Instrument panel power point



Power point electrical outlet

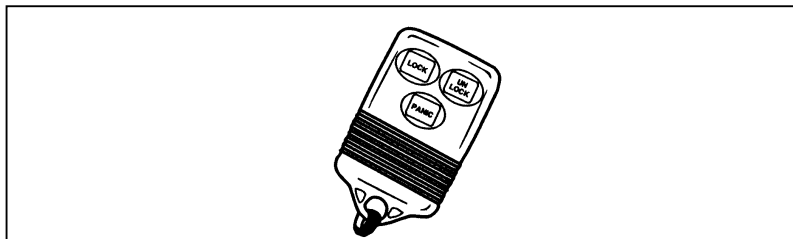
Controls and Features

Remote Entry System (If equipped)

If your vehicle has the remote entry system, you can lock or unlock the vehicle doors without using a key. The remote also has a personal alarm feature. The buttons for the system are located on the hand held transmitter that came with your vehicle.

The system will work with up to four transmitters. Your vehicle came with one transmitter. Additional transmitters can be ordered from your dealer.

The remote entry features only operate with the ignition in the OFF position.



The remote entry transmitter

Unlocking the doors with the remote entry system

To unlock the driver's door, press the UNLOCK control.

To unlock the other door, press the UNLOCK control a second time, within five seconds after the first UNLOCK.

Locking the doors with the remote entry system

To lock both doors, press the LOCK control. This will also arm the factory installed Anti-Theft system.

If you would like a signal that the doors are being locked, press the LOCK control again within five seconds. If all doors are completely closed, the doors will lock again, the horn will chirp, and the parking lamps will flash. If a door is open or ajar, the horn will give two short chirps warning you that a door is open.

Remote entry personal alarm

If you wish to activate the remote entry system personal alarm, press the PANIC control. This will honk the horn and flash the lights for approximately 2 minutes 45 seconds. You can turn it off by pressing the PANIC control again from the transmitter or by turning the ignition to the ON or ACCESSORY position.

Controls and Features

When you use the remote entry UNLOCK or PANIC controls, the illuminated entry system turns on the vehicle's interior lights for 25 seconds. You can turn these lights off with the remote entry LOCK control or by turning the ignition to the ON or ACCESSORY position.

This device complies with Part 15 of the FCC Rules. Operation is subject to the following two conditions: (1) This device may not cause harmful interference, and (2) This device must accept any interference received, including interference that may cause undesired operation.

Arming and Disarming the Alarm System with Remote Entry

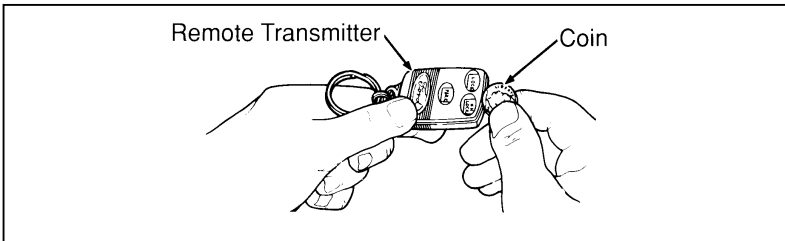
Your Remote Entry System will automatically arm the factory installed Anti-Theft System when the doors are locked, and automatically disarm it when the doors are unlocked. The remote will also reset the anti-theft alarm (when the driver's door is unlocked or the PANIC control is pressed on a programmed remote entry transmitter) if it was triggered.

The remote entry system may not arm and disarm non-factory installed anti-theft systems.

Replacing the Batteries

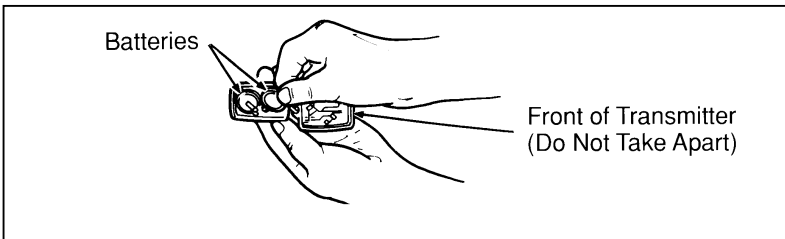
The remote is powered by two coin type three-volt lithium 2016 batteries (included) that should last for several years of normal use. If you notice a significant decrease in operating range, the batteries should be replaced. Replacement batteries can be purchased at most pharmacies, watch stores or at your Ford or Lincoln-Mercury dealer.

NOTE: The operating range of the remote entry system can also be affected by weather conditions (such as very cold temperatures) or structures around the vehicle (buildings, other vehicles, radio and TV towers, etc.). Typical operating range will allow you to be up to 33 feet (10 meters) away from your vehicle.



Opening the remote transmitter

The remote can be snapped apart to replace the batteries by twisting a thin coin between the two halves of the remote. **DO NOT TAKE THE FRONT PART OF THE REMOTE APART.** When installing the new batteries, be sure to place the positive (+) side down as marked. Snap the two halves back together.



Replacing the batteries

Controls and Features

Replacing lost transmitters

In the event a transmitter is lost, you should take your vehicle's transmitters to your dealer to have the remote entry system deprogrammed for the lost transmitter. This is necessary to prevent further unauthorized use of the lost transmitter.

You can also purchase additional transmitters (up to 4 transmitters can be used) from your dealer. You will need to take all your transmitters to the dealer so they can program them to the remote entry system all at the same time.

Illuminated Entry System (If equipped)

This system will provide illumination of the vehicle's interior courtesy lamps when either outside front door handle is pulled or when the remote entry system is used to unlock the door or sound the personal alarm. The system will automatically turn off after approximately 25 seconds or when the ignition is turned to the RUN or ACC position.

NOTE: The inside lights will not turn off if you have turned them on with the dimmer thumbwheel or if any door is open.

Battery Saver

When the ignition is turned off, the vehicle will turn off battery voltage to all of these lights after 40 minutes: glove box, engine compartment, overhead console, mirror, courtesy and interior (including cargo) lamps.

This will prevent draining of the battery if these lights have been left on inadvertently or if a door is not completely closed. Battery voltage to these lamps will be restored when the remote entry transmitter is used, any door is opened, or the ignition key is turned on again.

Anti-Theft Alarm System (If equipped)

When armed, this system helps protect your vehicle against break-ins or theft.

When an unauthorized entry occurs, the system triggers and will:

- flash the parking lamps and theft indicator lamp
- honk the horn
- disable the starting circuit to prevent the vehicle from being started

Arming the System

The system is ready to arm any time the ignition switch is turned OFF and the alarm is not triggered or sounding. Any of the following events will prearm the anti-theft system:

- Pressing the remote entry transmitter LOCK control to lock the doors (with the doors open or closed),
- Opening a door and pressing the power door lock control to lock the doors.

If a door is open, the anti-theft system is prearmed and waiting for all doors to close. The THEFT indicator in the instrument panel will light continuously while the system is prearmed.

- Close all doors

Once all doors are closed, if any were open, the system will begin a 30 second countdown to become armed. The 30 second countdown allows people who may still be in the vehicle time to exit without triggering the alarm. The THEFT indicator will glow steadily until the system is armed. When the system is armed, the THEFT indicator will begin to flash with short flashes every 2 seconds until the system is triggered or disarmed.

Controls and Features

Remember, all doors must be fully closed for the anti-theft system to arm. If a door has been left open or ajar, and you press the remote entry transmitter twice to confirm the doors are locked, two short horn chirps will warn you that the anti-theft system is not arming.

When you get a single horn chirp by pressing the LOCK control twice within 5 seconds on your remote entry transmitter, you can be assured that all doors are locked and the anti-theft system is arming.

Disarming the System

An armed or activated system can be disarmed if you:

- Unlock the doors by pressing the remote entry transmitter UNLOCK control.
- Unlock any door with a key.
- Turn ignition to the ON or ACC position.
- Pressing the remote entry PANIC button will disarm the anti-theft system only when the anti-theft alarm is triggered and sounding.

When unlocking the vehicle with a key, turn the key all the way to the end of its travel or the system may not disarm.

NOTE: The flashing lights and honking horn will shut off automatically within 2 minutes 45 seconds after the system is triggered. It will trigger again if another intrusion occurs. However, the starter circuit remains disabled until the system is disarmed.

The anti-theft system is designed to work with the factory installed remote entry system. It may not work with other remote entry systems.

Seating and Safety Restraints

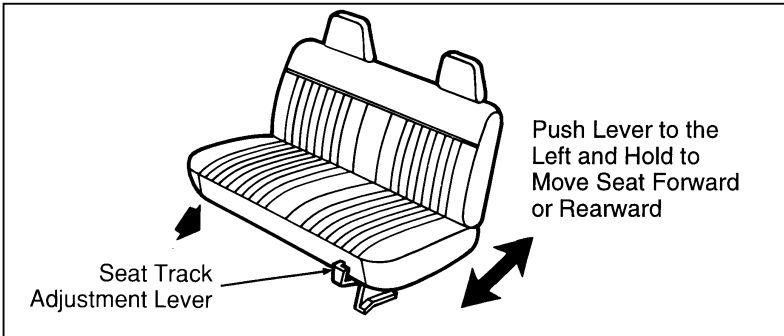
Seats

Adjusting the Front Seat Manually

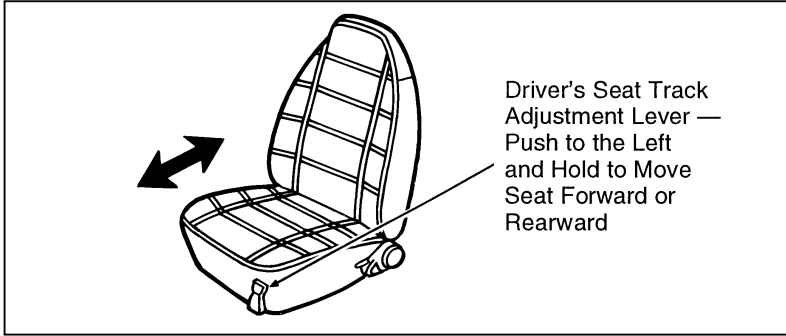
Regular Cab

To move the front seat forward or rearward:

1. Find the adjustment lever at the lower left corner of the front seat.
2. Push the lever to the left to unlock the seat.
3. Move the seat to the desired position.
4. Release the lever to lock the seat in its new position. Make sure the seat locks securely in place.



Adjusting the bench seat



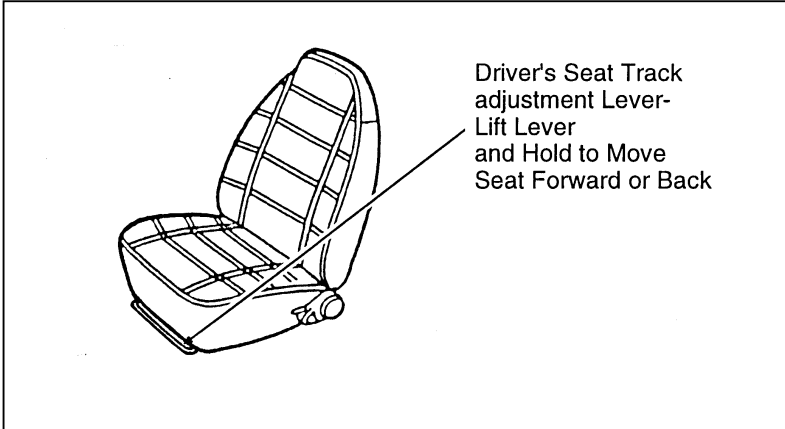
Adjusting the bucket seat

SuperCab

To move the front seat forward or rearward:

1. Find the adjustment bar at lower front of the front seat.
2. Lift bar upward to unlatch the seat.
3. Move the seat to the desired position.
4. Release the bar to latch the seat in its new position. Make sure the seat latches securely in place.

Seating and Safety Restraints



Adjusting the bucket seat

R WARNING

Never adjust the driver's seat or seatback when the vehicle is moving.

R WARNING

Cargo should always be secured to prevent it from shifting and causing damage to the vehicle or harm to passengers.

R WARNING

Always drive and ride with your seatback upright and the lap belt snug and low across the hips.

R WARNING

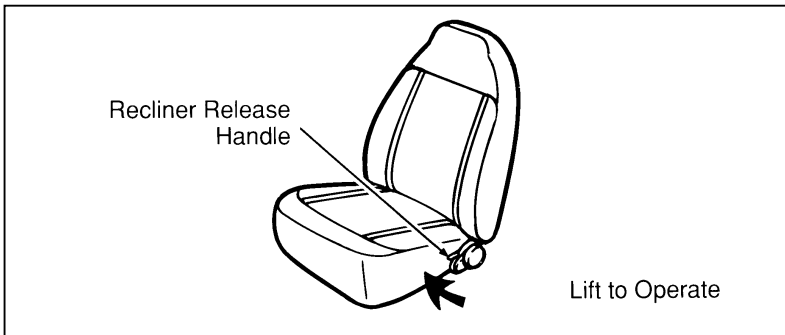
Children should always ride with the seatback in the fully upright position.

Reclining Bucket Seats (If equipped)

If your vehicle is equipped with the optional reclining bucket seat, you can tilt the seatback up to 30 degrees rearward.

1. On the side of the seat, find the handle for the recliner.
2. Lift the handle up and hold it in place.
3. Lean against the back of the seat and adjust it to the position you want.
4. Release the handle to lock the seatback in position.
5. To return the seatback to upright position, lift the handle and lean forward. Then release the handle.

Lifting the recliner handle of an unoccupied seat will allow the seat back to fold forward for access to the rear. Pushing the seat back with the release handle raised returns the seat back to the upright position.

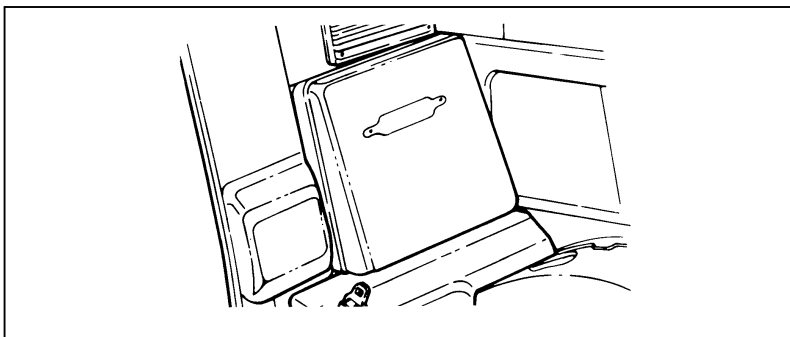


Reclining bucket seat

Seating and Safety Restraints

Center Facing Jump Seat — SuperCab Only

To open the seat, pull inboard and down on the seat handle. To stow the seat, pull seat bottom back to the fully upright position. The jump seats should be kept in the stored position for easier access to the rear cab area.



Center facing jump seat in stowed position

R WARNING

Do not install a child seat in a center facing jump seat.
--

Tilt Slide Seat (If equipped)

SuperCab only

With the front seatback tilted forward, the tilt slide seat can be moved to provide additional entry space to access the rear seat compartment of the vehicle.

To operate the tilt slide seat:

1. Lift the seatback release lever on the outboard side of the seat cushion to unlock the slide mechanism and seatback.
2. Push the seat assembly forward to provide entry space to the rear seat compartment of the vehicle.

R WARNING

Check to see that the seat and seatback are latched securely in position. Keep floor area free of objects that would prevent proper seat engagement. Never attempt to adjust the seat while the vehicle is in motion.

R WARNING

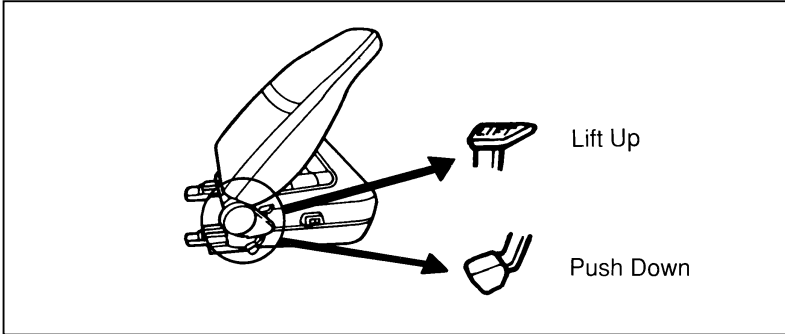
Check to see that the seat and seatback are latched securely in position. Keep floor area free of objects that would prevent proper seat engagement. Never attempt to adjust the seat while the vehicle is in motion.

3. With the seatback still forward, using the seat cushion push the seat rearward to the desired position and return the seatback to its upright position. This will lock the seat track.

NOTE: Whenever the seatback is returned to the upright position, the seat will lock in that seat position.

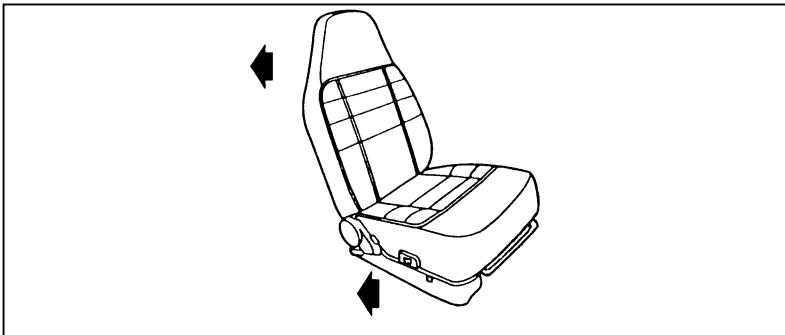
NOTE: The seat can no longer be moved rearward when in its latched position.

Seating and Safety Restraints



Tilt slide seat

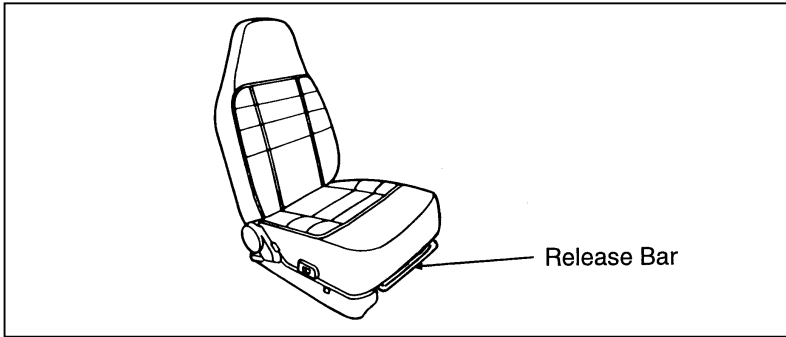
Prior to operating the vehicle, check to ensure that the seat assembly is locked by pushing or pulling the seat forward or rearward. If seat does not lock, repeat steps 2 and 3.



Locking tilt slide seat

To operate the seat adjuster:

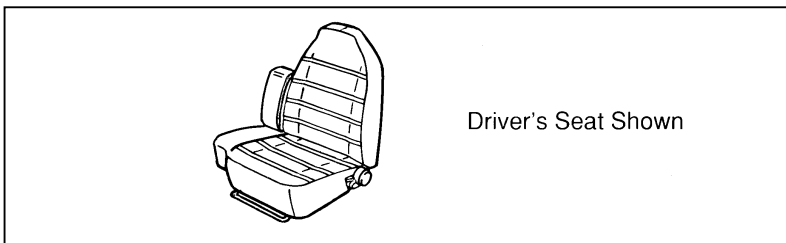
4. To adjust the seats forward or rearward, locate the release bar at the lower front area of the seat cushion. Lift the release bar and hold until the desired seat position is obtained, then release the bar to relock the seat.



Adjusting seat

60/40 Split Front Bench (If equipped)

The seat back release operates the same as the basic bucket seat.

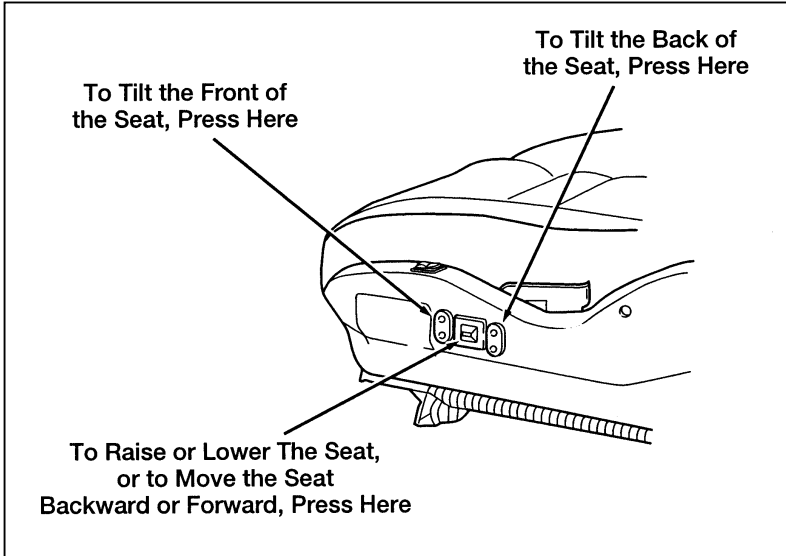


60/40 split front bench

Seating and Safety Restraints

Using the Power Seats (If equipped)

If your vehicle has the power seat option, you can adjust it in several directions. The controls are on the outboard side of the seat.

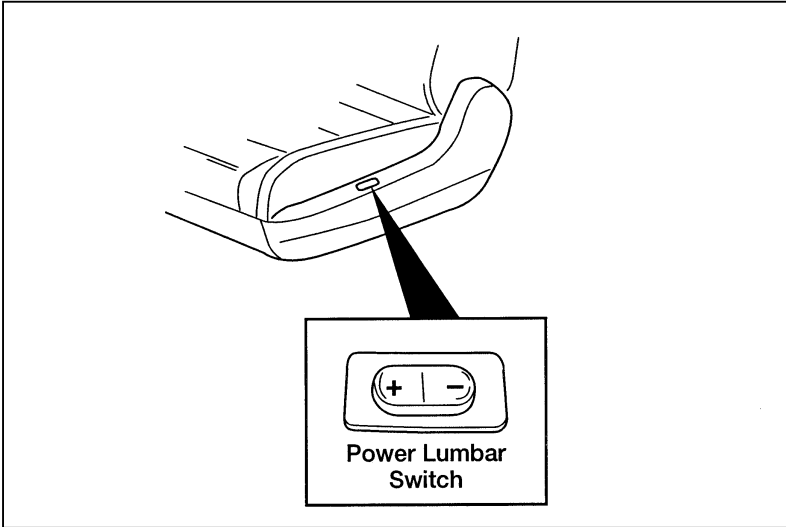


The power controls on the driver's seat

Inflating the lumbar support

If your vehicle is equipped with this option you can inflate/deflate the lumbar support pad in the seat back.

To inflate the lumbar support pad, push the “+” end of the rear rocker switch. To deflate the lumbar support pad, push the “-” end of the switch.



Power lumbar switch — sport bucket seat

Important Safety Belt Information

The use of safety belts helps to restrain you and your passengers in case of a collision. In most states and in Canada, the law requires their use.

Safety belts provide best restraint when:

- the seatback is upright
- the occupant is sitting upright (not slouched)
- the lap belt is snug and low on the hips
- the shoulder belt is snug against the chest
- the knees are straight forward

To help you remember to fasten your safety belt, a warning light may come on and a chime may sound. See *Safety Belt Warning Light and Chime* in the *Instrumentation* chapter.

Seating and Safety Restraints

See the following sections in this chapter for directions on how to properly use these safety belts. Also see *Safety Restraints for Children* in this chapter for special instructions about using safety belts for children.

R WARNING

Always drive and ride with your seatback upright and the lap belt snug and low across the hips.
--

R WARNING

Never let a passenger hold a child on his or her lap while the vehicle is moving. The passenger cannot protect the child from injury in a collision.

R WARNING

Ford recommends that all safety belt assemblies and attaching hardware should be inspected by a qualified technician after any collision. Safety belt assemblies not in use during a collision should also be inspected and replaced if either damage or improper operation is noted.
--

R WARNING

Children should always ride with the seatback in the fully upright position.

R WARNING

Each seating position in your vehicle has a specific safety belt assembly which is made up of one buckle and one tongue that are designed to be used as a pair. 1) Use the shoulder belt on the outside shoulder only. Never wear the shoulder belt under the arm. 2) Never swing it around your neck over the inside shoulder. 3) Never use a single belt for more than one person.

R WARNING

Lock the doors of your vehicle before driving to lessen the risk of the door coming open in a collision.

R WARNING

It is extremely dangerous to ride in a cargo area, inside or outside of a vehicle. In a collision, people riding in these areas are more likely to be seriously injured or killed. Do not allow people to ride in any area of your vehicle that is not equipped with seats and safety belts. Be sure everyone in your vehicle is in a seat and using a safety belt properly.

Combination Lap and Shoulder Belts

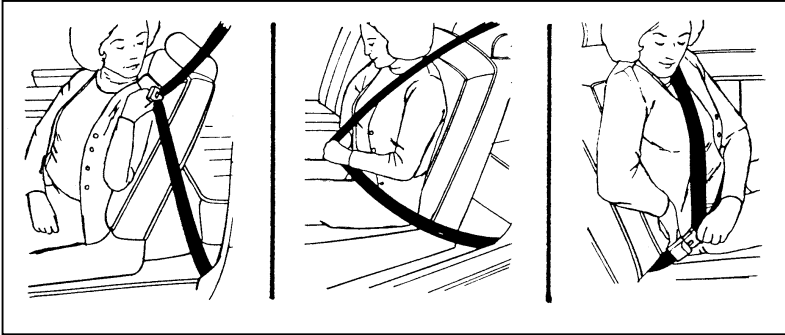
While your vehicle is in motion, the combination lap and shoulder belt adjusts to your movement. However, if you brake hard, turn hard, or if your vehicle receives an impact of 5 mph (8 km/h) or more, the lap/shoulder belt locks and helps reduce your forward movement.

After you get into your vehicle, close the door and lock it. Then adjust the seat to the position that suits you best.

Pull the combination lap/shoulder belt from the retractor so that the shoulder portion of the belt crosses your shoulder and

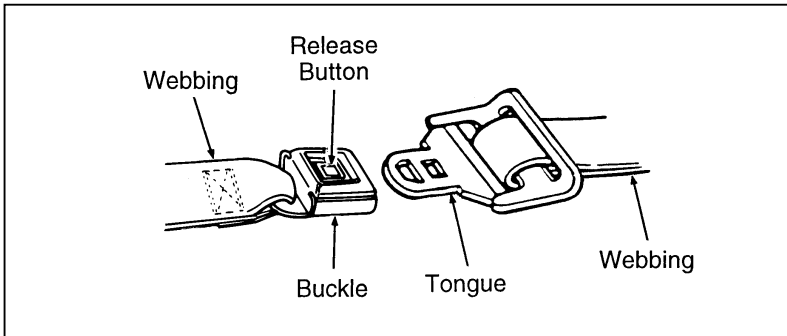
Seating and Safety Restraints

chest. Be sure the belt is not twisted. If it is, remove the twist. Insert the belt tongue into the proper buckle until you hear a snap and feel it latch. Make sure the tongue is securely fastened to the buckle by pulling on tongue.



Fastening the outboard lap/shoulder belts

NOTE: Be sure to read and understand *Important Safety Belt Information* in this chapter.



Unfastening the outboard lap/shoulder belts

While the belt retracts, guide the tongue to its original position to prevent it from striking you or the vehicle.

Safety Belts for Front Outboard Passenger and Rear Outboard Seating Positions

Your vehicle is equipped with a dual locking mode retractor on the **shoulder** belt portion of the combination lap/shoulder safety belt for the front seat outboard passenger and rear outboard passengers.

Dual locking mode retractors operate in two ways:

Vehicle sensitive (emergency) locking mode

In this operating mode, the shoulder belt retractor will allow the occupant freedom of movement, locking tight only on hard braking, hard cornering or impacts of approximately 5 mph (8 km/h) or more. The retractor can also be made to lock by pulling the belt out quickly.

Automatic locking mode

In this operating mode, the shoulder belt retractor will be automatically locked and will remain locked when the combination lap/shoulder safety belt is buckled, and does not allow the occupant freedom of movement. This mode provides the following:

- A tight lap/shoulder belt on the occupant.
- Child safety seat installation.

This mode **must be used** when installing a child safety seat on the front passenger seat and rear outboard seats where dual locking retractors are provided.

Seating and Safety Restraints

To switch the retractor from the emergency locking mode to the automatic locking mode, perform the following steps:

1. Buckle the lap/shoulder combination belt.
2. Grasp the shoulder portion of the belt and pull downward until all of the belt is extracted and, when allowed to retract, a clicking sound is heard. At this time, the belt retractor is in the automatic locking mode (child restraint mode).
3. A clicking sound will continue to be heard as the belt is allowed to retract. This indicates that the retractor is in the automatic locking mode.

NOTE: When the combination lap/shoulder belt is unbuckled and allowed to retract completely, the retractor will switch to the vehicle sensitive (emergency) locking mode. See the detailed instructions under *Safety Seats for Children* in this chapter.

Shoulder Belt Height Adjustment

Driver and right front passenger

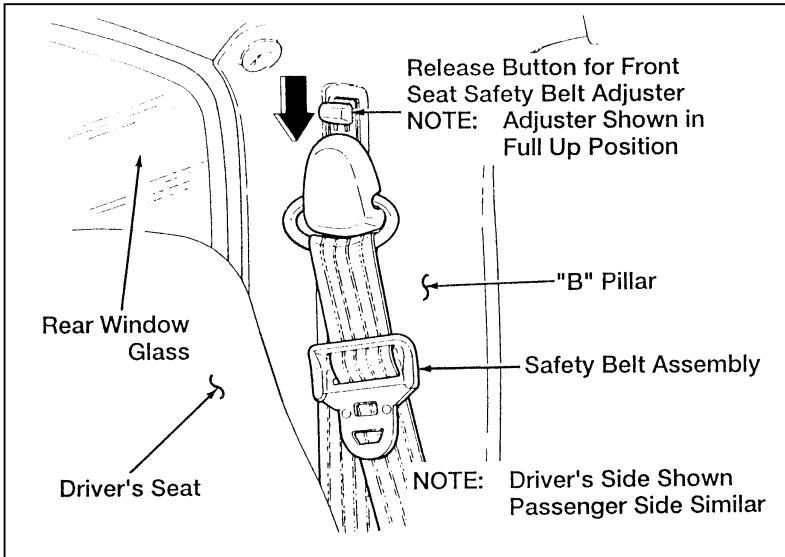
The driver and right front passenger shoulder belt height is adjustable to one of four (4) positions (Regular cab model) or five (5) positions (Super cab model).

To adjust the belt down, push the release button on the adjuster down and slide the adjuster down. Then release the button and make sure the adjuster is firmly in one of the positions. To adjust the belt up, slide the adjuster up. (You do not have to push the release button.) Slide it up or down until the belt rests across the middle of your shoulder.

R WARNING

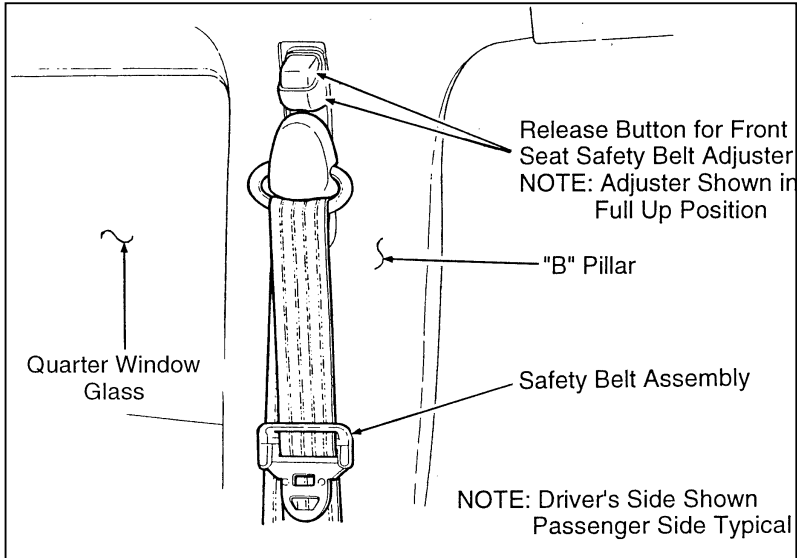
Position the shoulder belt height adjuster so that the belt rests across the middle of your shoulder. Be sure the shoulder belt is properly positioned on your shoulder each time you use the belt. If the shoulder belt is off your shoulder, on your upper arm or neck, there is a greater risk of severe injury in a collision.

NOTE: Be sure the belt is properly positioned on your shoulder each time you use the belt.



Shoulder belt height adjuster — full up position (regular cab models)

Seating and Safety Restraints

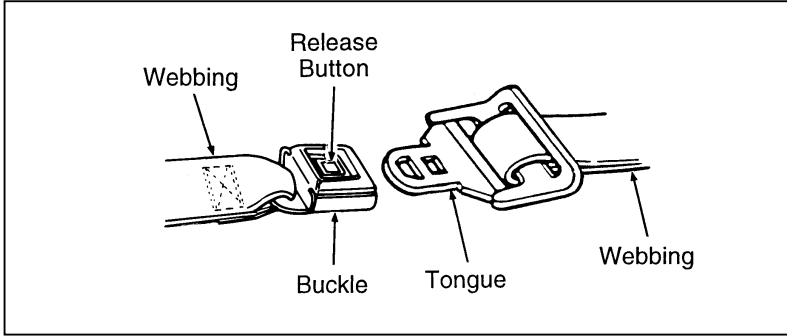


Shoulder belt height adjuster — full up position (SuperCab models)

R WARNING

Each seating position in your vehicle has a specific safety belt assembly which is made up of one buckle and one tongue that are designed to be used as a pair. 1) Use the shoulder belt on the outside shoulder only. Never wear the shoulder belt under the arm. 2) Never swing it around your neck over the inside shoulder. 3) Never use a single belt for more than one person.

To tighten the lap portion of the belt, pull up on the shoulder belt until it fits you snugly. The belt should rest as low on your hips as possible.



Unfastening the outboard lap/shoulder belts

Center Front Lap Belt (If equipped)

The lap belt in the center of the front seat does not adjust automatically. You must adjust it to fit snugly around your hips. Do not wear it around your waist.

To fasten the belt, pull the belt across your hips and insert the tongue into the correct buckle on your seat until you hear a snap and feel it lock. Make sure the buckle is securely fastened.

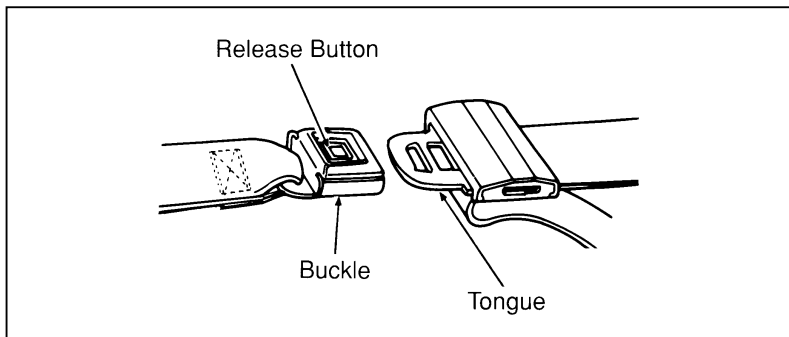
If you need to lengthen the belt, unfasten it and tip the belt tongue at a right angle to the belt. Pull the belt tongue over your lap until it reaches the buckle.

If you need to shorten the belt, pull on the loose end of the webbing until the belt fits snugly.

To unfasten the belt, push the release button on the buckle. This allows the tongue to unlatch from the buckle.

Because the center front lap belt does not have a retractor, it should be shortened and fastened when not in use.

Seating and Safety Restraints



Fastening and unfastening the front center safety belt

R WARNING

The lap belts should fit snugly and as low as possible around the hips, not around the waist.
--

Rear Lap Belt with Retractor

Pull the belt out of the retractor with a steady motion and insert the tongue into the proper buckle until you hear a snap and feel the latch engage.

To Unfasten the Safety Belts with Retractors:

1. Push the release button on the buckle. This allows the tongue to unlatch from the buckle.
2. While the belt retracts, guide the tongue to its stowed position. If you do not guide the tongue, it may strike you or part of the vehicle.

Safety Belt Extension Assembly

For some people, the safety belt may be too short even when it is fully extended. You can add about eight inches (20 cm) to the belt length with a safety belt extension assembly (part number 611C22). Safety belt extensions are available at no cost from your dealer.

Use only extensions manufactured by the same supplier as the safety belt. Manufacturer identification is located at the end of the webbing on the label. Also, use the safety belt extension only if the safety belt is too short for you when fully extended. Do not use extension to change the fit of the shoulder belt across the torso.

R WARNING

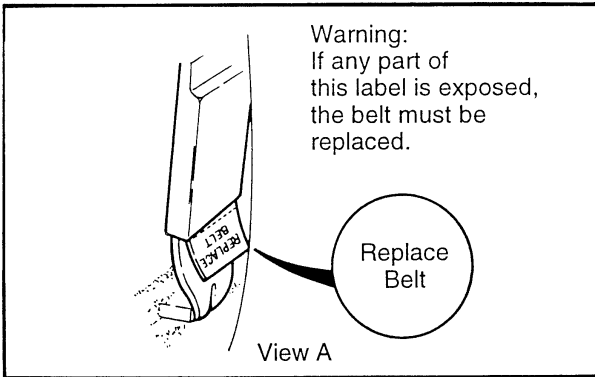
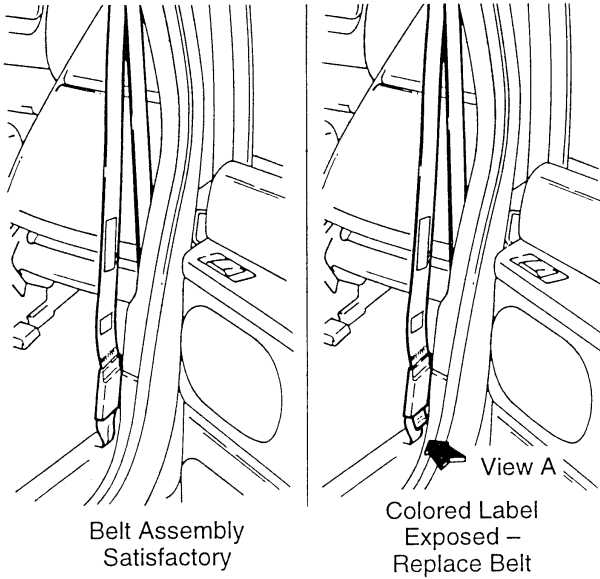
Failure to follow these instructions will affect the performance of the safety belts and increase the risk of personal injury.

Safety Belt Maintenance

Check the safety belt systems periodically to make sure that they work properly and are not damaged.

The short plastic boot on the front safety belt at the outboard anchor location (Regular Cab, driver; SuperCab, driver and passenger) covers an energy absorbing sew pattern on the safety belt. In the event of an accident, the sew pattern may release, and the colored label (REPLACE BELT) may become visible. If this occurs, **the safety belt must be replaced.**

Seating and Safety Restraints



Energy absorbing sew pattern

R WARNING

FAILURE TO REPLACE THE SAFETY BELT ASSEMBLY UNDER THE ABOVE CONDITIONS COULD RESULT IN SEVERE PERSONAL INJURIES IN THE EVENT OF A COLLISION.

All safety belt assemblies, including retractors, buckles, front seat belt buckle support assemblies (slide bar) (if equipped) shoulder belt height adjusters (if equipped) child safety seat tether bracket assemblies (if equipped), and attaching hardware, should be inspected after any collision. Ford recommends that all safety belt assemblies used in vehicles involved in a collision be replaced. However, if the collision was minor and a qualified technician finds that the belts do not show damage and continue to operate properly, they do not need to be replaced. Safety belt assemblies not in use during a collision should also be inspected and replaced if either damage or improper operation is noted.

Air Bag Supplemental Restraint System (SRS)

The driver and right front passenger air bags are Supplemental Restraint Systems (SRS), provided at these seating positions in addition to the lap/shoulder belt, and are designed to supplement the protection provided to properly belted occupants in moderate to severe frontal collisions. The supplemental air bag system does not provide restraint to the lower body.

Seating and Safety Restraints

The Importance of Wearing Safety Belts

R WARNING

All occupants of the vehicle, including the driver, should always wear their safety belts, even when an air bag Supplemental Restraint System is provided.

There are four very important reasons to use safety belts even with an air bag system. Use your safety belts to:

- help keep you in the proper position (away from the air bag) when it inflates
- reduce the risk of harm in rollover, side or rear impact collisions, because an air bag is not designed to inflate in such situations
- reduce the risk of harm in frontal collisions that are not severe enough to activate the supplemental air bag
- reduce the risk of being thrown from your vehicle

R WARNING

The supplemental air bags are not designed to protect occupants in the front center seating position.
--

The Importance of Being Properly Seated

In a collision, the air bag must inflate extremely fast to help provide additional protection for you. In order to do this, the air bag must inflate with considerable force. If you are not seated in a normal riding position with your back against the seatback, the air bag may not protect you properly and could possibly hurt you as it inflates.

Important Information About the Right Front Passenger Air Bag (If equipped)

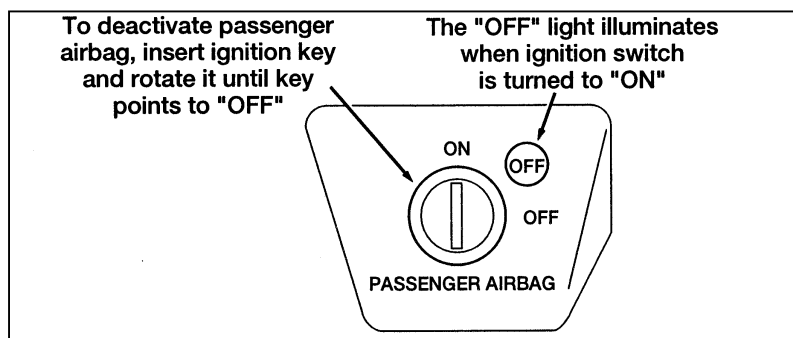
It is important for the front seat passengers' safety that they remain properly seated whenever the vehicle is moving. This means that small children should be secured in appropriate child safety seats or infant seats, and all other occupants should sit upright, with their backs against the seatback, and restrained by lap and shoulder belts. No passenger should sit toward the front edge of the seat, or stand or lean near the air bag cover (which is near the glove box).

R WARNING
Rear-facing infant seats should not be placed in the front seat unless the passenger air bag deactivate switch is turned to OFF. In rear-facing infant seats, the infant's head is closer to the passenger air bag. The force of the rapidly inflating air bag could push the top of the rear-facing seat against the vehicle seatback. Turning the passenger air bag deactivate switch to OFF will prevent the passenger air bag from deploying, avoiding any interaction between the passenger air bag and the rear-facing infant seat.

Seating and Safety Restraints

Passenger Air Bag Deactivate Switch (If equipped)

If your vehicle is equipped with the passenger air bag option, it also has a passenger air bag deactivate switch. The switch is located at the lower center of the instrument panel, next to the ashtray. The switch must be used to turn off the passenger air bag when a rear-facing infant seat is installed in the right front or center front passenger seat position. To turn the passenger air bag off:



NOTE: If the yellow peel-off label is still on the switch, pull the tab to remove it, and discard it.

1. Insert the ignition key into the switch.
2. Rotate the ignition key clockwise until the key points to the word OFF printed on the instrument panel.
3. Remove the ignition key.

R WARNING

In order to avoid inadvertent deployment of the passenger air bag, always remove the ignition key from the passenger air bag deactivate switch.

4. Check that the amber OFF light illuminates when the ignition switch is placed in ON.

R WARNING

If the light fails to illuminate when the passenger air bag switch is in the OFF position and the ignition switch is in ON, have the passenger air bag switch serviced at your Ford or Lincoln-Mercury dealer immediately.

The passenger air bag will remain off until it is turned on. When the infant seat is removed, turn the air bag on. To turn the passenger air bag on:

1. Insert the ignition key into the switch.
2. Rotate the ignition key counterclockwise until it points to the ON printed on the instrument panel.
3. Remove the ignition key from the switch.
4. Check that the amber OFF light is not illuminated when the ignition switch is placed in ON.

R WARNING

If the light is illuminated when the passenger air bag switch is in the ON position and the ignition switch is in ON, have the passenger air bag switch serviced at your Ford or Lincoln-Mercury dealer immediately.

The amber OFF light warns the driver and any passengers that the passenger air bag is turned off. The passenger air bag should be turned off ONLY when the rear-facing infant seat is installed at the right front or center front seats.

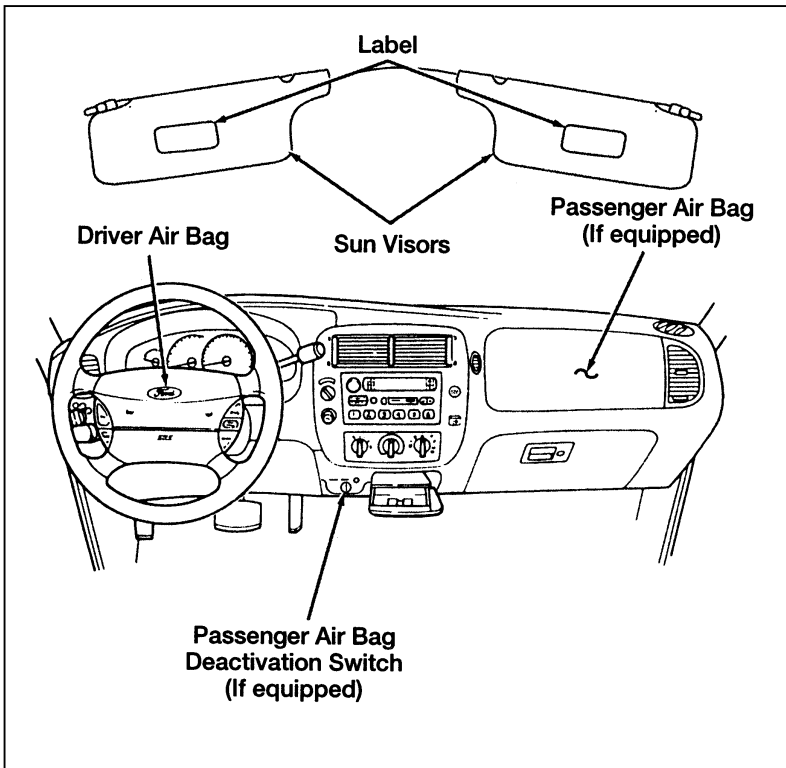
R WARNING

Keep the passenger air bag turned on unless there is a rear-facing infant seat installed in the front seat. When the passenger air bag switch is turned off, the passenger air bag will not inflate in a collision.

Seating and Safety Restraints

How Does the Air Bag Supplemental Restraint System Work?

The Air Bag Supplemental Restraint System consists of the driver air bag, passenger air bag (if equipped), impact sensors, a system diagnostic module, a readiness light and tone, and the electrical wiring which connects the components.



The location of the air bags and warning labels

The driver air bag is in the center of the steering wheel. The right front passenger seat air bag (if equipped) is in the upper right hand section of the instrument panel ledge above the glove compartment.

If a collision occurs, the sensors sense the severity of the impact and activate the air bags if necessary. The air bag system is designed to deploy in frontal and front-angled collisions more severe than hitting a parked vehicle (of similar size and weight) head-on at about 28 mph (45 km/h). Because the system senses the crash severity rather than vehicle speed, some frontal collisions at speeds above 28 mph (45 km/h) will not inflate the air bag.

When the sensors activate the system, the air bags inflate rapidly, filling with non-toxic nitrogen gas in a fraction of a second. Immediately after inflation, the air bags deflate by releasing the nitrogen gas through vent holes. The whole process takes place in a matter of seconds.

R WARNING

Do not place objects or mount equipment on or near the air bag cover on the steering wheel or in front seat areas that may come in contact with a deploying air bag. Failure to follow this instruction may increase the risk of personal injury in the event of a collision.
--

R WARNING

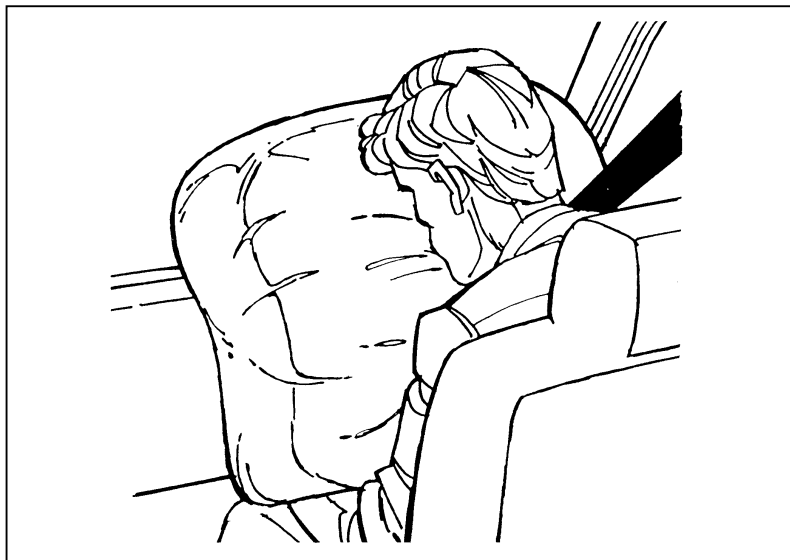
Several air bag system components get hot after inflation. Do not try to touch them after inflation.

Seating and Safety Restraints

The air bag system uses a readiness light on the instrument cluster and a tone to indicate the condition of the system. When you turn the ignition key to the ON position, this light will illuminate for approximately six (6) seconds and then turn off. This indicates that the system is operating normally. NOTE: Maintenance of the air bag system is not required.



Inflated driver-side air bag



Inflated passenger-side air bag

R WARNING

The air bag will inflate only once. The system is designed to function on a one-time-only basis. If the air bag is inflated, THE AIR BAG WILL NOT FUNCTION AGAIN AND MUST BE REPLACED IMMEDIATELY. If the air bag is not replaced, this will increase the risk of injury in a subsequent collision.

To ensure that the air bag system will operate as intended in a crash, the system is equipped with a diagnostic module, which controls a readiness lamp and a warning tone. The diagnostic module monitors its own circuits, the air bag electrical system, the air bag readiness light, the air bag power and the air bag inflators.

Seating and Safety Restraints

A problem with the system is indicated by one or more of the following:

- the readiness light will either flash or stay illuminated,
- or it will not illuminate immediately after ignition is turned on,
- or a group of five beeps will be heard. The tone pattern will repeat periodically until the problem and light are repaired.

If any of these things happen, have the air bag system serviced at your Ford or Lincoln-Mercury dealer immediately. Unless serviced, the air bag supplemental restraint system may not function properly in the event of a collision.

R WARNING
Do not attempt to service, repair, or modify the Air Bag Supplemental Restraint System or its fuses. See your Ford or Lincoln-Mercury dealer.

Disposal of air bags and air bag equipped vehicles

For disposal of air bags or air bag equipped vehicles, see your local Ford or Lincoln-Mercury dealer. Air bags **MUST** be disposed of by qualified personnel.

Safety Restraints for Children

In the U.S. and Canada, you are required by law to use safety restraints for children. If small children ride in your vehicle — this generally includes children who are four years old or younger and who weigh 40 pounds (18 kg) or less — you must put them in safety seats that are made specially for children. Safety belts alone do not provide maximum protection for these children. Check your local and state laws for specific requirements.

R WARNING

Never let a passenger hold a child on his or her lap while the vehicle is moving. The passenger cannot protect the child from injury in a collision.

R WARNING

To prevent the risk of injury, make sure children sit where they can be properly restrained.

R WARNING

It is extremely dangerous to ride in a cargo area, inside or outside of a vehicle. In a collision, people riding in these areas are more likely to be seriously injured or killed. Do not allow people to ride in any area of your vehicle that is not equipped with seats and safety belts. Be sure everyone in your vehicle is in a seat and using a safety belt properly.

When possible, put children in the rear seat of your vehicle. Accident statistics suggest that children are safer when properly restrained in the rear seating positions than in the front seating positions.

R WARNING

Do not install a child seat in a center facing jump seat.

R WARNING

Safety belts and seats can become hot in a vehicle that has been closed up in sunny weather; they could burn a small child. Check seat covers and buckles before you place a child anywhere near them.

Seating and Safety Restraints

R WARNING

Do not leave children, unreliable adults, or pets unattended in your vehicle.
--

Safety Seats for Children

Use a safety seat that is recommended for the size and weight of the child. Always follow the safety seat manufacturer's instructions when installing and using the safety seat.

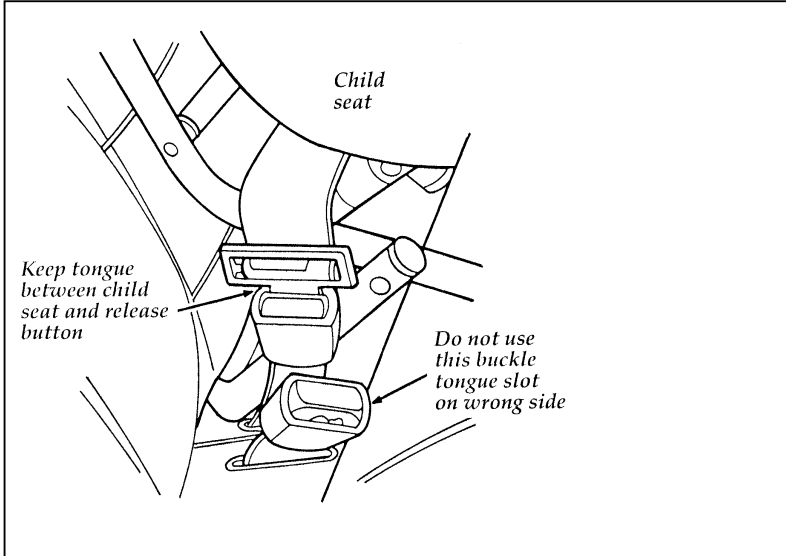
Ford recommends the use of a child safety seat having a top tether strap. Install the child safety seat in a seating position which is capable of providing a tether anchorage. For more information on top tether straps see *Attaching Safety Seats With Tether Straps* in this chapter.

When installing a child safety seat, be sure to use the correct safety belt buckle for that seating position, and make sure the tongue is securely fastened in the buckle. For a shoulder/lap belt combination with a sliding tongue, make sure the retractor is in the automatic locking mode.

All child restraint systems are designed to be secured in vehicle seats by lap belts or by the lap portion of a lap-shoulder belt.

R WARNING

Seatbacks should be upright for use with child safety seats.



R WARNING

Always keep the buckle release button pointing upward and away from the child seat, with the tongue button between the child seat and the release button as shown in the following illustration.

R WARNING

If you do not properly secure the safety seat, the child occupying the seat may be injured during a collision or sudden stop. An unsecured safety seat could also injure other passengers.

Seating and Safety Restraints

R WARNING

Carefully follow all of the manufacturer's instructions included with the safety seat you put in your vehicle. If you do not install and use the safety seat properly, the child may be injured in a sudden stop or collision.

R WARNING

Rear-facing infant seats should not be placed in the front seat unless the passenger air bag deactivate switch is turned to OFF. In rear-facing infant seats, the infant's head is closer to the passenger air bag. The force of the rapidly inflating air bag could push the top of the rear-facing seat against the vehicle seatback. Turning the passenger air bag deactivate switch to OFF will prevent the passenger air bag from deploying, avoiding any interaction between the passenger air bag and the rear-facing infant seat.

Installing Child Safety Seats in Combination Lap and Shoulder Belt Seating Positions

1. Position the child safety seat in a seat with a combination lap and shoulder belt.

If you choose to install a child safety seat in the front passenger seat, move the seat as far back as possible.

R WARNING

Keep the passenger air bag turned on unless there is a rear-facing infant seat installed in the front seat. When the passenger air bag switch is turned off, the passenger air bag will not inflate in a collision.

-
2. Pull down on the shoulder belt and then grasp the shoulder belt and lap belt together.

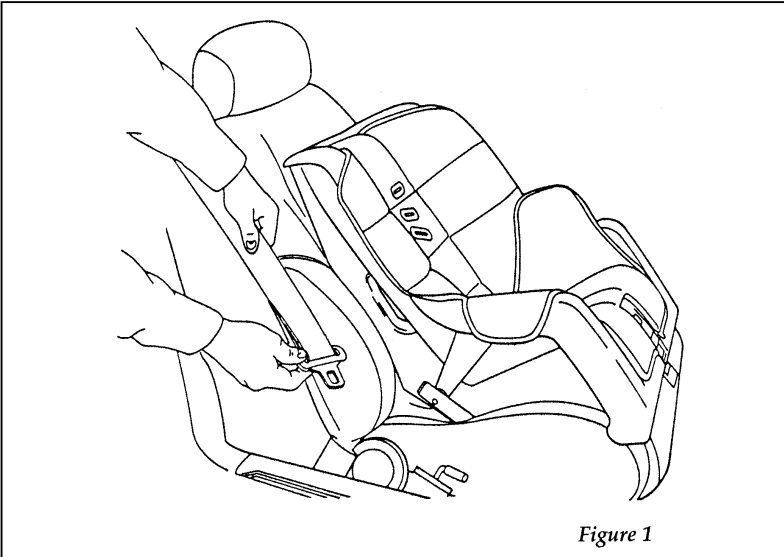


Figure 1

Pulling out belt webbing

Seating and Safety Restraints

3. While holding the shoulder and lap belt portions together, route the tongue through the child seat according to the child seat manufacturer's instructions. Be sure the belt webbing is not twisted.

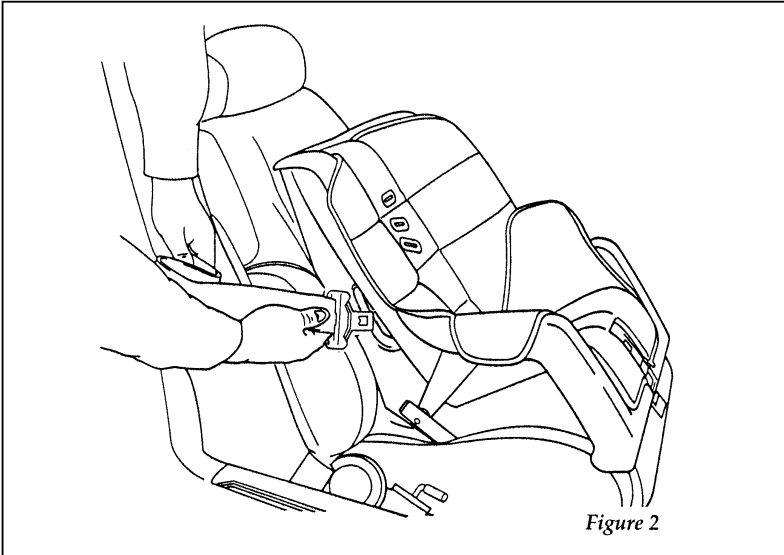
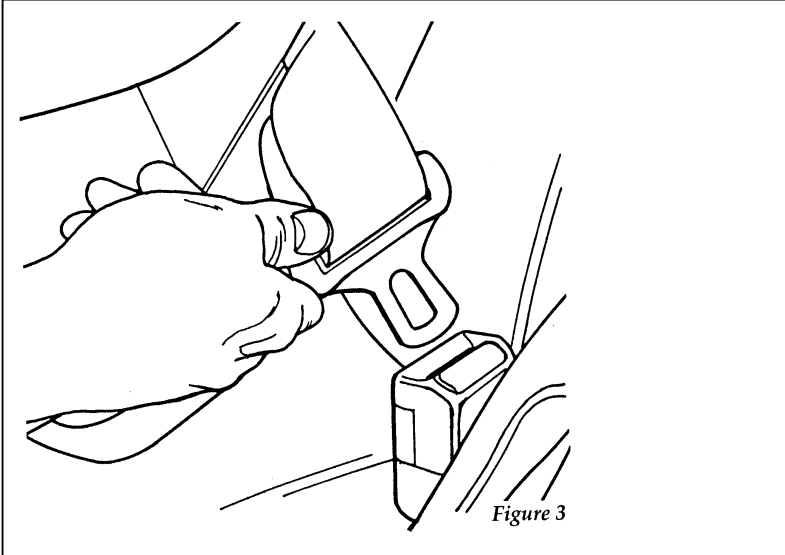


Figure 2

Routing the lap/shoulder belt

-
4. Insert the belt tongue into the proper buckle for that seating position until you hear and feel the latch engage. Make sure the tongue is latched securely by pulling on it.



Buckling the belt

Seating and Safety Restraints

5. Grasp the shoulder portion of the belt and pull downward until all of the belt retracted and a click is heard to put the retractor in the automatic locking mode.

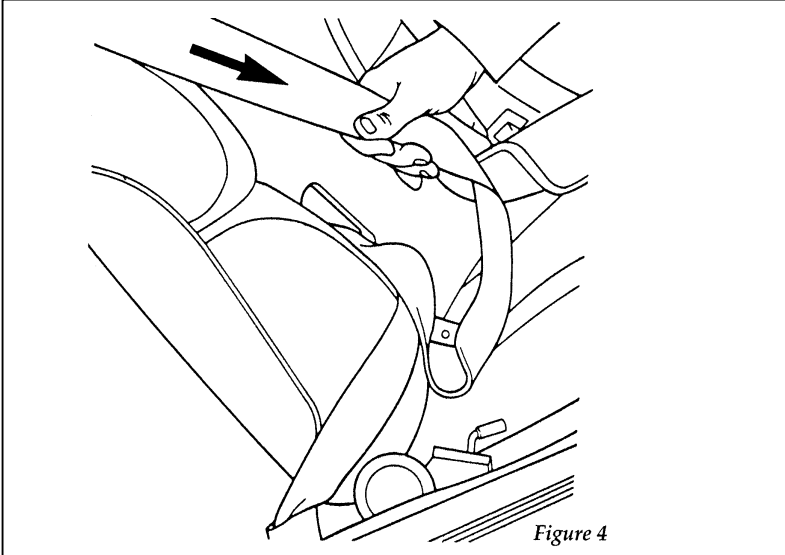
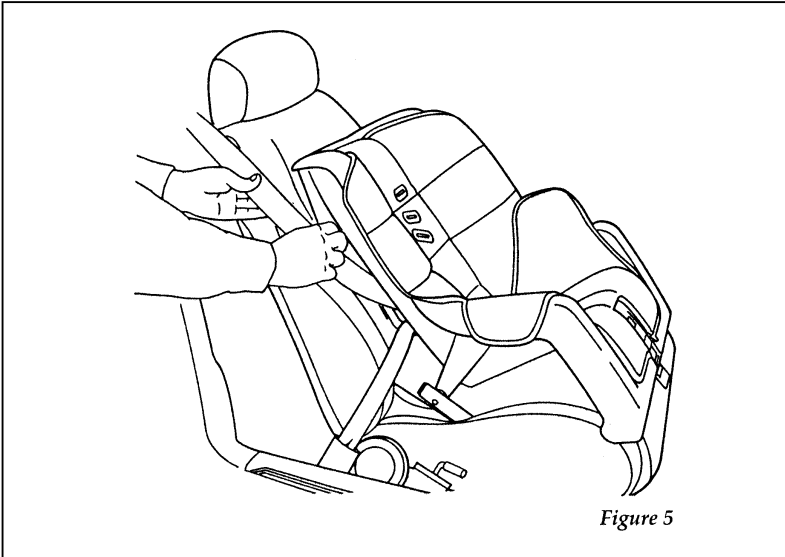


Figure 4

Setting the retractor to automatic locking mode

-
6. Allow the belt to retract. The belt will click as it retracts to indicate it is in the automatic locking mode.



Allowing shoulder belt to retract

Seating and Safety Restraints

7. Pull the lap belt portion across the child seat toward the buckle and pull up on the shoulder belt while pushing down on the child seat.

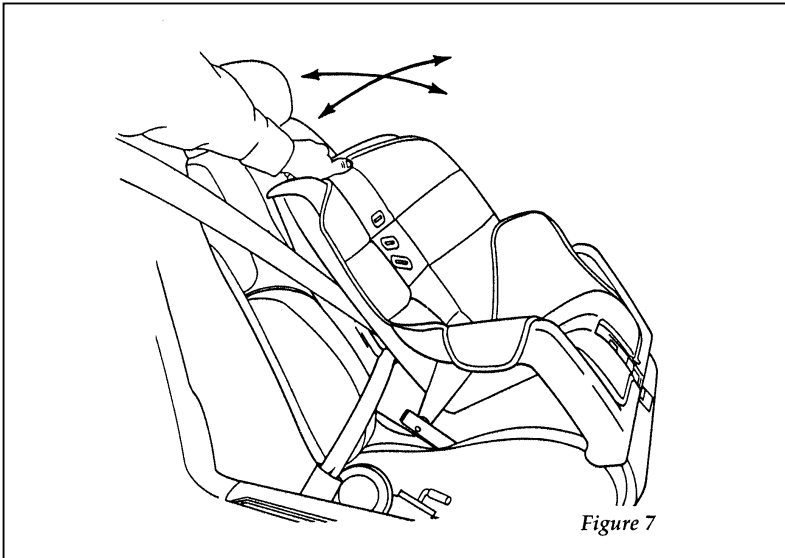
Push down on child safety seat while pulling up on the shoulder belt webbing



Figure 6

Removing slack from the belt

-
8. Allow the safety belt to retract to remove any slack in the belt.
 9. Before placing the child in the seat, forcibly tilt the seat forward and back to make sure the seat is securely held in place.



Checking that the seat is secure

10. Try to pull belt out of the retractor to make sure the retractor is in the automatic locking mode (you should not be able to pull more belt out). If the retractor is not locked, unbuckle the belt and repeat steps 2 through 9.

To remove the retractor from automatic locking mode, allow webbing to retract fully to its stowed position and the retractor will automatically switch back to the vehicle sensitive locking mode for normal adult usage.

Seating and Safety Restraints

Attaching Safety Seats With Tether Straps

General Instructions

Some manufacturers make safety seats that include a tether strap that goes over the back of the vehicle seat and attaches to an anchoring point. Other manufacturers offer the tether strap as an accessory. Contact the manufacturer of your child safety seat for information about ordering a tether strap.

You can attach a tether strap anchor bracket to the cab inner back panel by using a tether anchor kit (613D74) available at no charge from any Ford dealer.

Read and follow the instructions provided with the kit carefully, for installation of the child tether strap anchor.

Follow the child seat manufacturer's instructions to attach the tether strap to the tether bracket.

WARNING
Only use the tether attachment hole locations shown in the illustrations. The tether anchor may not perform properly if the wrong mounting location is used.

In SuperCabs equipped with Center Facing Jump Seats, the tether strap anchor bracket should be installed only at the center of the cab's back panel with the child seat in the front center seating position. Installing an anchor bracket at the right rear of the cab may increase risk of injury to an occupant of the right rear center facing jump seat in the event of a collision or sudden stop. If a tethered child seat is installed in the right front seating position, secure the tether strap to the webbing of the buckled right rear lap belt.

WARNING

Do not install a child seat in a center facing jump seat.
--

Safety Belts for Children

Children who are too large for child safety seats should always wear safety belts. (See instructions with your child seat, or contact its manufacturer, to determine maximum size of child that will safely fit in the seat.)

WARNING

If safety belts are not properly worn and adjusted as described, the risk of serious injury to the child in a collision will be much greater.
--

Seating and Safety Restraints

If the shoulder belt portion of one of the lap and shoulder belts can be positioned so that it does not cross or rest in front of the child's face or neck, the child should wear the lap and shoulder belt. Moving the child closer to the center of the vehicle may help provide a good shoulder belt fit.

To improve the fit of lap and shoulder belts on children who have outgrown child safety seats, Ford recommends use of a belt-positioning booster seat that is labelled as conforming to all Federal motor vehicle safety standards. Belt-positioning booster seats raise the child and provide a shorter, firmer seating cushion that encourages safer seating posture and better fit of lap and shoulder belts on the child. A belt-positioning booster should be used if the shoulder belt rests in front of the child's face or neck, or if the lap belt does not fit snugly on both thighs, or if the thighs are too short to let the child sit all the way back on the seat cushion when the lower legs hang over the edge of the seat cushion. You may wish to discuss the specific needs of your child with your pediatrician.

Lap belts and the lap belt portion of lap and shoulder belts should always be worn snugly and below the hips, touching the child's thighs.

WARNING
Children should always ride with the seatback in the fully upright position.

Fuel-Injected Engines

When starting a fuel-injected engine, **the most important thing to remember is to avoid pressing down on the accelerator before or during starting.** Only use the accelerator when you have problems getting your vehicle started. See *Starting Your Engine* in this chapter for details about when to use the accelerator while you start your vehicle.

Starting Your Vehicle

Preparing to Start Your Vehicle

WARNING
Do not start your vehicle in a closed garage or in other enclosed areas. Exhaust fumes can be toxic. Always open the garage door before you start the engine.

Before you start your vehicle, do the following:

1. Make sure all occupants in the vehicle buckle their safety belts. See *Safety Restraints* in the Index for more details.
2. Make sure the headlamps and other accessories are turned off when starting.
3. **If you have an automatic transmission**, make sure that the gearshift lever is in P (Park) and the parking brake is set before you turn the key.
4. **If you have a manual transmission**, make sure that the parking brake is fully set, push the clutch pedal to the floor, and put the gearshift into Neutral before you turn the key. (Remember, the starter will operate only if the clutch pedal is pushed in all the way).

Before you start your vehicle, you should test the warning lights on the instrument panel to make sure that they work. Refer to the *Instrumentation* chapter.

Starting Your Engine

To start your engine:

1. Follow the steps under *Preparing to Start Your Vehicle* at the beginning of this section.
2. Turn the ignition key to the ON position.
3. DO NOT depress the accelerator pedal when starting your engine. DO NOT use the accelerator while the vehicle is parked.
4. Turn the key to the START position (cranking) until the engine starts. Allow the key to return to the ON position after the engine has started.

If you have difficulty in turning the key, rotate the steering wheel slightly because it may be binding.

For a cold engine:

- At temperatures **10°F (-12°C) and below**: If the engine does not start in **fifteen (15) seconds** on the first try, turn the key to OFF, wait approximately ten (10) seconds so you do not flood the engine, then try again.
- At temperatures **above 10°F (-12°C)**: If the engine does not start in **five (5) seconds** on the first try, turn the key to OFF, wait approximately ten (10) seconds so you do not flood the engine, then try again.

For a warm engine:

- Do not hold the key in the START position for more than **five (5) seconds** at a time. If the engine does not start within five (5) seconds on the first try, turn the key to the OFF position. Wait a few seconds after the starter stops, then try again.

Whenever you start your vehicle, release the key as soon as the engine starts. Excessive cranking could damage the starter.

Starting

After starting, allow the engine to idle for a few seconds before driving away.

If the engine does not start after two attempts:

1. Turn the ignition key to the OFF position.
2. Press the accelerator all the way to the floor and hold it.
3. Turn the ignition key to the START position.
4. Release the ignition key when the engine starts.
5. Release the accelerator gradually as the engine speeds up.

If the engine still does not start, the fuel pump shut-off switch may have been activated. For directions on how to reset the switch see *Fuel Pump Shut-Off Switch* in the index.

A computer system controls the engine's idle speed. When you start your vehicle, the engine's idle speed normally runs high. These faster engine speeds will make your vehicle coast slightly faster than its normal idle speed. It should, however, slow down after a short time. If it does not, have the idle speed checked.

If the engine idle speed does not slow down automatically, do not allow your vehicle to idle for more than 10 minutes. Have the vehicle checked.

WARNING
Extended idling at high engine speeds can produce very high temperatures in the engine and exhaust system, creating the risk of fire or other damage.

WARNING
Do not park, idle, or drive your vehicle in dry grass or other dry ground cover. The emission system heats up the engine compartment and exhaust system, which can start a fire.

If you consistently start your vehicle in subzero temperatures, use an engine block heater (if your vehicle has this option).

Engine Block Heater (If equipped)

Engine block heaters are strongly recommended if you live in a region where temperatures reach -20°F (-29°C) or below consistently during the winter months. An engine block heater warms the engine coolant, which improves starting, warms up the engine faster, and allows the heater-defrost system to respond quickly.

WARNING
To prevent electrical shock, do not use your heater with ungrounded electrical systems or two-pronged (cheater) adapters.

For best results, plug the heater in at least three hours before you start your vehicle. Using the heater for longer than three hours will not damage the engine, so you can plug it in at night to start your vehicle the following morning.

NOTE: Be sure to disconnect the engine block heater before driving your vehicle.

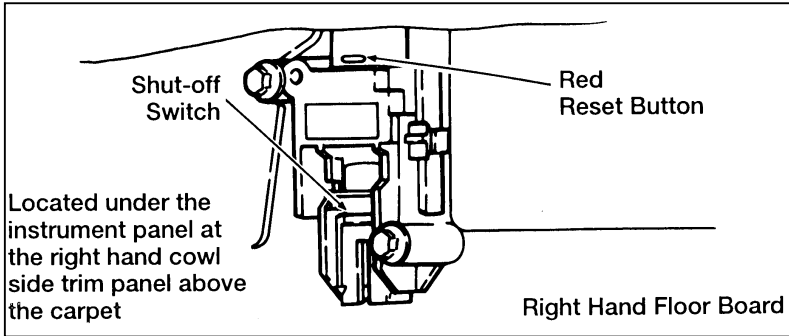
If the Engine Cranks but Does Not Start or Does Not Start After a Collision

The Fuel Pump Shut-off Switch

If the engine cranks but does not start or does not start even after a small collision, the fuel pump shut-off switch may have been activated. The shut-off switch is a device intended to stop the electric fuel pump when your vehicle has been involved in a substantial jolt. Refer to the *Roadside emergencies* section for more information.

Once the shut-off switch is activated, you must reset the switch by hand before you can start your vehicle.

Starting



Fuel pump shut-off switch location

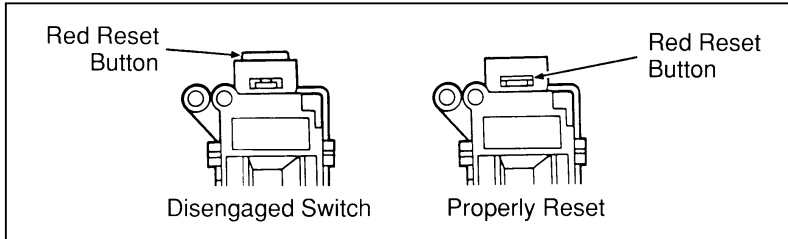
WARNING

If you see or smell fuel, do not reset the switch or try to start your vehicle. Have all the passengers get out of the vehicle and call the local fire department or a towing service.

If your engine cranks but does not start after a collision or substantial jolt:

1. Turn the key in the ignition to OFF.
2. Check under the vehicle for leaking fuel.
3. If you do not see or smell fuel, push the red reset button down. If the button is already set, you may have a different mechanical problem.
4. Turn the ignition key ON for a few seconds, then turn it OFF.
5. Check under the vehicle again for leaking fuel. **If you see or smell fuel, do not start your vehicle again.** If you do not see or smell fuel, you can try to start your vehicle again.

6. Check all vehicle warning lights before driving your vehicle.



Reset button for fuel pump shut-off switch

Guarding Against Exhaust Fumes

Carbon monoxide, although colorless and odorless, is present in exhaust fumes. Take precautions to avoid its dangerous effects.

WARNING

Do not start your vehicle in a closed garage or in other enclosed areas. Exhaust fumes can be toxic. Always open the garage door before you start the engine.

WARNING

If you smell exhaust fumes inside your vehicle, have your dealer inspect your vehicle immediately. Do not drive if you smell exhaust fumes.

Have the exhaust and body ventilation systems checked whenever:

- your vehicle is raised for service
- the sound of the exhaust system changes
- your vehicle has been damaged in a collision

Improve your ventilation by keeping all air inlet vents clear of snow, leaves, and other debris.

Starting

If the engine is idling while you are stopped in an open area for long periods of time, open the windows at least one inch (2.5 cm). Also, adjust the heating or air conditioning system to bring in outside air.

- **HEATING** — Set fan speed to medium or high, the function control knob on any position except OFF and the temperature control knob on any desired position.
- **AIR CONDITIONING** — Set fan speed to medium or high with the function control knob on any position (except OFF or MAX A/C) and the temperature control knob at a comfortable level.

Removing the Key From the Ignition

Procedures for removing your key from the ignition will vary, depending on the type of gearshift your vehicle has. Gearshift levers may be mounted on the steering column or on the floor or console.

If you have a manual transmission, you have a key release lever which allows you to remove your key from the ignition. The key release lever is on the upper right of the steering column, just above the key lock cylinder.

If your vehicle's gearshift lever is mounted on the column:

1. Put the gearshift in P (Park).
2. Set the parking brake fully before removing your foot from the service brake. (This will avoid "binding" or "loading" the park gear if you park on a grade.)
3. Turn the ignition key to LOCK.
4. Remove the key.

If your vehicle's gearshift lever is mounted on the floor:

1. Put the gearshift in 1 (First).
2. Turn the ignition key to OFF.
3. Set the parking brake fully before removing your foot from the service brake.
4. Push and hold in the key release button.
5. Turn the key to LOCK.
6. Remove the key.

WARNING
Always set the parking brake fully and make sure that the gearshift is latched in P (Park) (automatic transmission) or 1 (First) (manual transmission).

WARNING
Do not leave children, unreliable adults, or pets unattended in your vehicle.

Brakes

Front Disc Brakes

The front disc brakes are self-adjusting. They do not require service other than periodic inspection for pad wear.

Rear Drum Brakes

The rear drum brakes are self-adjusting. Automatic adjustment occurs when the brakes are applied while “backing up.” If normal operation does not include much backing, adjust the brakes when they seem “low,” using the procedure under *If Brakes Do Not Grip Well or Pedal is “Low”* in this chapter.

Hydraulic Power Brakes

The hydraulic brake system is made up of two independent hydraulic circuits. One hydraulic circuit supplies fluid to the front disc brakes and the other hydraulic circuit supplies fluid to the rear drum or disc brakes. These two circuits are supplied by a common hydraulic brake fluid reservoir, with a fluid level sensor.

Occasional brake noise is normal and does not indicate a performance concern with the vehicle’s brake system. In normal operation, automotive brake systems may emit occasional or intermittent squeal or groan noises when the brakes are applied. Such noises are usually heard during the first few brake applications in the morning; however, they may be heard at any time while braking and can be aggravated by environmental conditions such as cold, heat, moisture, road dust, salt or mud. If a “metal-to-metal” or “continuous grinding” sound is present while braking, the brake linings may be worn-out and should be inspected by a qualified service technician.

The brake light in the instrument cluster will light for low brake fluid in the common brake fluid reservoir.

WARNING

An increase in pedal travel will result in reduced braking capability. The brake system should be checked immediately.

Rear Anti-lock Brakes

Your vehicle may be equipped with a Rear Anti-lock Brake System. This system prevents at least one and often both rear wheels from completely locking up when the brakes are applied in a panic stop, for example.

On vehicles equipped with an antilock braking system (ABS), a noise from the hydraulic pump motor and pulsation in the pedal may be observed during ABS braking events. Pedal pulsation coupled with noise while braking under panic conditions or on loose gravel, wet or snowy roads is normal and indicates proper functioning of the vehicle's antilock brake system. If the vehicle has continuous vibration or shudder while braking, felt mainly in the steering wheel, the vehicle most likely needs service.

Even with the Anti-lock Brake System, you should be careful when braking. Front brake lock up on any surface, even on smooth pavement causes loss of steering control. Heavy braking on roads with loose surfaces such as snow or gravel, or severe pavement irregularities could also cause you to lose steering control of your vehicle.

WARNING

If the anti-lock brake system warning light remains on or comes on while driving, have the braking system checked by a qualified service technician as soon as possible.

NOTE: If a fault occurs in the anti-lock system, and the brake warning light is not lit, the anti-lock system is disabled but normal brake function remains operational.

Four Wheel Anti-lock Brake System

Your vehicle may be equipped with a Four Wheel Anti-lock Braking System (4WABS). The 4WABS helps the driver to maintain vehicle control by preventing wheel lockup during hard braking.

The 4WABS operates with a computer that is able to optimize vehicle control during braking on varying tire and road conditions by modulating the brake pressure at each of the front wheels and the rear axle. This “pumping action” is similar to the driver “pumping” the brakes but happens at a much faster rate.

WARNING
The Anti-lock system does NOT assist the vehicle in stopping quickly on wet or icy surfaces. Heavy braking combined with poor road conditions could cause you to lose steering control of your vehicle.

Using anti-lock brakes

The operation of a vehicle with 4WABS is not similar to the operation of normal brakes. Some differences exist and are listed below:

- Apply the brake steadily. In the event of a panic stop, do NOT “pump” the brakes. “Pumping” the brakes during an Anti-lock stop will diminish braking effectiveness.
- During an Anti-lock stop, the driver will notice a brake pedal pulsation and hear some noise from the engine compartment. This is an indication that the 4WABS system is working correctly and is normal.

WARNING

<p>The Anti-lock system does NOT decrease the time necessary to apply the brakes. Always leave enough room between the vehicle in front of you and your vehicle.</p>

4WABS driver warning light

The 4WABS computer continuously monitors the system while driving for any electrical faults or system malfunctions. In addition, the 4WABS computer performs an initial system check called bulb proveout when the vehicle ignition is switched on. During bulb proveout, the ABS light on the instrument cluster will momentarily illuminate and then go out.

NOTE: After starting the vehicle and upon initial drive-off, the driver may notice a single pulse of the brake pedal and a noise from the engine compartment. This is part of the initial system check and is normal.

Should a malfunction in the 4WABS system occur, the ABS light on the instrument cluster will come on and stay on indicating that the anti-lock system has been shut down and the vehicle needs to be serviced. Normal braking is not affected unless the brake warning light is also illuminated.

NOTE: It is important to note that when the ABS Warning Light is illuminated the ABS system is disabled. The vehicle must be serviced immediately to restore the benefits of the Anti-lock system.

NOTE: Mobile phones or radio transmitters not installed by Ford Motor Company may interfere with the Anti-lock System. Should the Anti-lock system activate unexpectedly or the Anti-lock Warning Light illuminate after installation of such a unit, have the installation of the unit checked.

If Brakes Do Not Grip Well or Pedal is “Low”

If brakes do not grip well, it may indicate the rear drum brakes need adjustment. To do this, drive the vehicle in reverse at 5 mph (8 km/h) on level, dry pavement. Stop the vehicle by firmly applying the brakes. Repeat this procedure four or five times.

If during normal operation the brake pedal seems “low”, it may indicate the need for a brake system inspection and/or service. You should have your brakes checked as soon as possible.

Occasional brake squeal during light to moderate stops does not affect the function of the brake system and is normal. However, if the squeal becomes louder or more frequent, have your brakes inspected by your dealer or a qualified service technician.

WARNING
Modifications to the suspension spring rates and/or vehicle ride height may adversely affect vehicle stopping ability.

If Brakes Pull

- Check tire pressure.
- Perform the self-adjustment procedure described under *If Brakes Do Not Grip Well or Pedal is “Low.”*

If pull occurs during the first 500 miles (800 km), make 10 moderately fast stops from 40 mph (65 km/h) and then perform the self-adjustment procedure above. It may be necessary to repeat this operation to properly seat new brake linings and pads.

Stopping Distances

Stopping distances vary with different loads and driving conditions. Use caution when encountering new conditions and acquaint yourself with vehicle performance. Take full advantage of engine braking power when slowing down.

Applying the Brakes

Apply the brake pedal gradually. Use the “squeeze” technique — push on the brake pedal with a steadily increasing force. This allows the wheels to continue to roll while you are slowing down, which lets you steer properly.

Do not drive with your foot resting on the brake pedal. This will increase your vehicle’s stopping distance and may also cause brake damage.

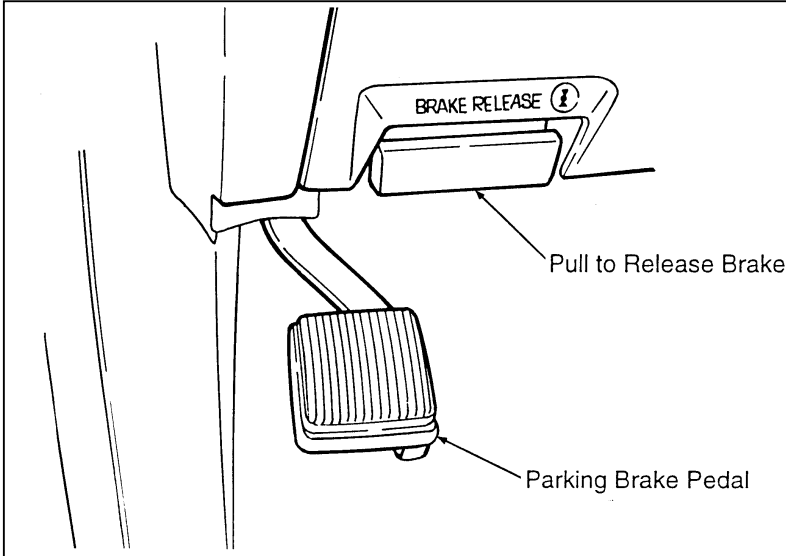
WARNING

If you are driving down a long or steep hill, shift to a lower gear. Do not apply your brakes continuously, as they may overheat and become less effective.
--

Using the Parking Brake

The parking brake should be used whenever you park your vehicle.

The parking brake pedal is suspended just below the bottom of the instrument panel to the left of service brake and/or clutch pedals. To set the parking brake while parking your vehicle, press the brake pedal with your right foot and hold it while you push the parking brake pedal down firmly and fully with your left foot.



Parking brake

WARNING

Always set the parking brake fully and make sure that the gearshift is securely latched in P (Park) (automatic transmission) or in 1 (First) (manual transmission).

With the transfer case in N (Neutral), the vehicle is free to move with either the automatic transmission in P (Park) or with the manual transmission in any driving gear.

WARNING

Do not leave the vehicle unattended with the transfer case in the N (Neutral) position. Always set the parking brake fully and turn off the ignition when leaving the vehicle.

To release the parking brake, press the brake pedal with your right foot and hold the parking brake pedal down with your left foot while you pull the parking brake release lever. Lift your foot from the parking brake pedal after it is released.

WARNING

If the parking brake is fully released, but the Brake System light remains on, have the brakes checked immediately. They may not be working properly.

The parking brake is not designed to stop a moving vehicle, but you can use the parking brake to stop your vehicle in an emergency if the normal brakes fail. However, since the parking brake applies only the rear brakes, the stopping distance will increase greatly and the handling of your vehicle will be adversely affected.

Steering Your Vehicle

Your Ranger may have optional power steering. Power steering uses energy from the engine to help steer your vehicle.

If the amount of effort needed to steer your vehicle changes at a constant vehicle speed, have the power steering system checked. If the power steering system breaks down (or if the engine is turned off), you can steer the vehicle manually but it takes more effort.

Never hold the steering wheel to the extreme right or left for more than five seconds if the engine is running. This can damage the power steering pump.

NOTE: After any severe impact such as striking large potholes, sliding into curbs on icy roads, or a collision involving the front end, observe the steering wheel alignment. If the spokes of the steering wheel seem to be in a different position while going straight down the road, have the front suspension and steering checked for possible damage.

Automatic Transmission Operation (4R44E/5R55E)

If your vehicle is equipped with an automatic transmission, it will be either a four speed overdrive transmission (4R44E) or a five speed overdrive transmission (5R55E). All 2.3L and 3.0L engines use the 4R44E transmission, while all 4.0L engines use the 5R55E transmission. Both transmission types have a lockup torque converter. Transmission operation is controlled by the Powertrain Control Module (PCM).

The PCM will automatically adjust transmission operation to make up for varying conditions. Several sensors located on the engine and transmission such as throttle position, engine speed, vehicle speed and transmission temperature are used by the PCM to shift the transmission into a higher or lower gear when required for the best performance and fuel economy. For example, you may notice that the transmission will upshift to a higher gear more quickly when the vehicle has not reached normal operating temperature.

The PCM also controls the transmission's Torque Converter Clutch (TCC) to further raise vehicle performance and fuel economy. The TCC will engage when the transmission operating temperature and other conditions determined by the PCM have been met. Engagement of the clutch may be noted as a decrease in engine speed.

To help in troubleshooting, the PCM continually performs self-tests on the electronic control system and, if any faults are detected, stores them in memory. The Transmission Control Indicator Light (TCIL) (O/D OFF), which is located on the instrument cluster, may flash steadily if a malfunction has been detected. If the TCIL is flashing, contact your Ford dealer as soon as possible. If this condition persists, damage to the transmission could occur.

Speed limiter

All models are equipped with a Powertrain Control Module (PCM) which limits the maximum engine speed and thus road speed in top gear. Vehicle operation is normal since the controlled maximum speed is above posted highway speeds in North America.

Power Braking

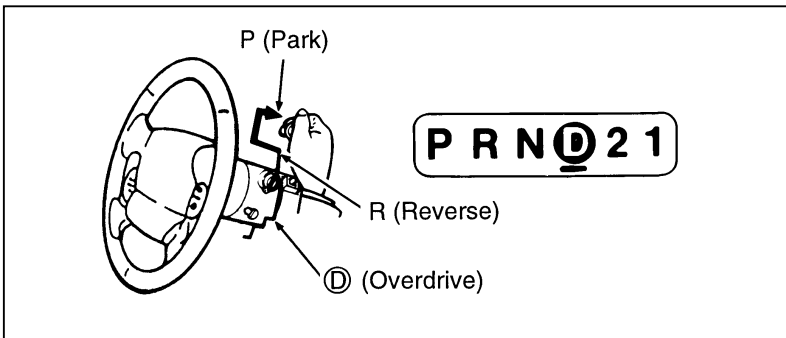
Increasing the engine speed above idle without vehicle movement (such as holding the brake) in a forward or reverse gear causes transmission stall.

NOTE: Continued operation in the stall condition can result in transmission overheat, malfunction or fluid expulsion.

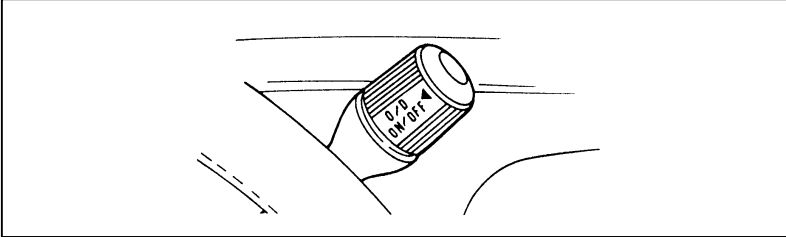
Automatic Overdrive Transmission

Putting Your Vehicle in Gear

Your vehicle's gearshift is on the steering column. The transmission control switch is located on the end of the gearshift lever. You can put the gearshift in any of the several positions.



The positions of the column-mounted gearshift



Transmission control switch (located on the end of the gearshift lever)

WARNING

Hold the brake pedal down while you move the gearshift lever from position to position. If you do not hold the brake pedal down, your vehicle may move unexpectedly and injure someone.

Once you place the gearshift securely into position, gradually release the brake pedal and use the accelerator as necessary.

NOTE: Your vehicle is equipped with a brake-shift interlock feature. This feature prevents you from shifting from P (Park) unless you have the brake pedal depressed. (The ignition must be in the ON position.) If you cannot shift from P (Park) with the brake pedal depressed:

1. Apply the parking brake.
2. Remove the key.
3. Insert the key and rotate it one position clockwise (ignition in the OFF position).
4. Apply the brake pedal and shift to N (Neutral). (If the vehicle is shifted back to P [Park], you must repeat the previous steps.)
5. Start the vehicle.

If you need to shift out of P (Park) by using the alternate procedure described above, it is possible that a fuse has blown and that your brakelamps may also not be functional. Please refer to the chapter titled *Roadside Emergencies* in this Owner Guide for instructions on checking and replacing fuses.

WARNING

DO NOT DRIVE YOUR VEHICLE UNTIL YOU VERIFY THAT THE BRAKELAMPS ARE WORKING.
--

P (Park)

Always come to a complete stop before you shift into P (Park). This position locks the transmission and prevents the rear wheels from turning.

To securely latch the gearshift in the P (Park) position, pull it toward you, push it completely counterclockwise against the stop, and then push it toward the instrument panel.

The gearshift is securely latched in P (Park) if you cannot rotate it in a clockwise direction without lifting it toward you.

WARNING

Always set the parking brake fully and make sure the gearshift is latched in P (Park). Turn off the ignition whenever you leave your vehicle.
--

WARNING

Never leave your vehicle unattended while it is running.

R (Reverse)

With the gearshift in the R (Reverse) position, the vehicle will move backward. You should always come to a complete stop before shifting into or out of R (Reverse).

N (Neutral)

With the gearshift in the N (Neutral) position, the vehicle can be started and is free to roll. Hold the brake pedal down while in this position.

With the transfer case in N (Neutral), the vehicle is free to move with either the automatic transmission in P (Park) or with the manual transmission in any driving gear.

WARNING
Do not leave the vehicle unattended with the transfer case in the N (Neutral) position. Always set the parking brake fully and turn off the ignition when leaving the vehicle.

Driving (4R44E Transmission)

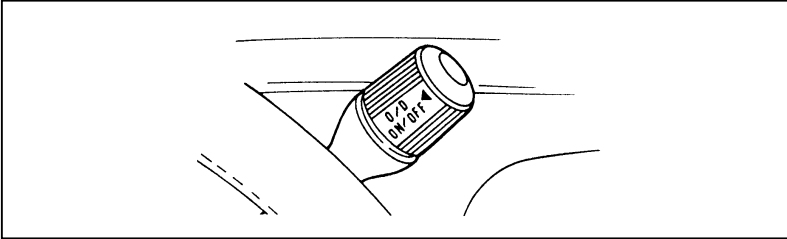
When to use j (Overdrive)

This is the normal driving position. As the vehicle picks up speed, automatic upshifts to second, third and fourth gears will occur when j (Overdrive) is chosen on the selector and the transmission control switch has not been pressed. The transmission will shift into the correct gear when the right speed is achieved, for the accelerator pedal position you have chosen.

When to use Drive

You will note there is not a drive position on your gearshift indicator. However, you will find a transmission control switch labeled O/D ON/OFF located on the end of the gearshift lever. Press this switch and the O/D OFF indicator light will illuminate on the instrument cluster. With overdrive cancelled and the O/D OFF indicator light illuminated, the transmission will operate in gears one through three. This is useful if you experience frequent downshift/upshift conditions, when operating with a heavy load or in hilly terrain, or if additional

engine braking is useful. However, shift back to j (Overdrive) whenever practical for optimum powertrain cooling and fuel economy. This can be accomplished by pushing the transmission control switch again, to cancel the O/D OFF control and light.



Transmission control switch (located on the end of the gearshift lever)

When starting your vehicle, the overdrive system will automatically be in the normal overdrive mode.

When to use 2 (Second)

Use 2 (Second) to start-up on slippery roads or to provide additional engine braking on downgrades. This position provides 2 (Second) gear operation only.

When to use 1 (Low)

Use 1 (Low) to provide maximum engine braking on steep downgrades. Upshifts from 1 (Low) can be made by manually shifting to 2 (Second) or j (Overdrive). Selection of 1 (Low) gear provides only low gear operation from start-up. Selection of 1 (Low) while at higher speeds provides a shift to second gear, and a shift to first gear will occur after the vehicle decelerates to the proper speed.

Forced Downshifts

To gain extra acceleration in j (Overdrive) or Drive (O/D OFF), push the accelerator to the floor. The transmission will automatically downshift to the appropriate gear: third, second or first.

Driving (5R55E Transmission)

When to use j (Overdrive)

This is the normal driving position. As the vehicle picks up speed, automatic upshifts to second, third, fourth and fifth gears will occur when j (Overdrive) is chosen on the selector and the transmission control switch has not been pressed. The transmission will shift into the correct gear when the right speed is achieved, for the accelerator pedal position you have chosen.

When to use Drive

You will note there is not a drive position on your gearshift indicator. However, you will find a transmission control switch labeled OD ON/OFF located on the end of the gearshift lever. With overdrive canceled and the OD ON/OFF illuminated, the transmission will operate in gears one through four. This is useful if you experience frequent downshift/upshift conditions, when operating a heavy load or in hilly terrain, or if additional engine braking is useful. However, shift back to j (Overdrive) whenever practical for optimum powertrain cooling and fuel economy. This can be accomplished by pushing the transmission control switch again, to cancel the OVERDRIVE OFF control and light.

When to use 2 (Second)

With the gearshift in the 2 (Second) position, more engine braking is provided. Use the 2 (Second) position to drive up moderately steep grades, to start up slippery roads, or to provide moderate engine braking on downgrades. **DO NOT GO FASTER THAN 55 mph (88 km/h) IN THIS GEARSHIFT POSITION.**

When to use 1 (Low)

With the gearshift in the 1 (First) position, maximum engine braking is provided. This position provides 1 (First) gear operation only with no automatic upshifts. To obtain upshifts, the gearshift must be moved out of this position. Use the 1 (First) position to drive up steep grades or to provide maximum engine braking on downgrades.

Forced Downshifts

To gain acceleration in \overline{j} (Overdrive) or Drive (O/D OFF) when passing another vehicle, push the accelerator to the floor. The transmission will downshift to the appropriate gear: fourth, third, second or first gear.

Traction-Lok Rear Axle (If equipped)

This axle provides added drive away traction on slippery surfaces, particularly when one or more wheels are on a surface with poor traction.

Extended use of other than matching size tires on a Traction-Lok rear axle could result in a permanent reduction in effectiveness. This loss of effectiveness does not affect normal driving and should not be noticeable to the driver.

Manual Transmission Operation

Using the Clutch

Make sure the gearshift lever is in the N (Neutral) position and your right foot is holding down the brake pedal. Then press the clutch pedal to the floor with your left foot. Manual transmission vehicles have a starter interlock switch. The starter will not crank until the clutch pedal is fully depressed. Start the engine and allow it to idle for a few seconds. Move the gearshift into 1 (First) or R (Reverse).

Driving

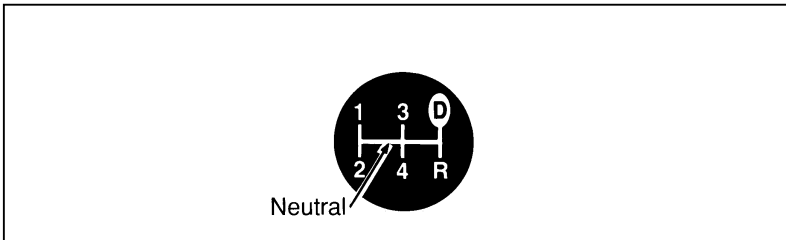
To move the vehicle, release the clutch slowly and at the same time press down slowly on the accelerator so that the vehicle accelerates.

Do not drive with your foot resting on the clutch pedal and do not use the clutch to hold your vehicle at a standstill while waiting on a hill. These actions will seriously reduce clutch life.

Driving with your foot resting on the clutch may cause the vehicle to jerk sharply when pressing or removing your other foot from the accelerator.

Shifting the Gears

The gearshift for a manual transmission is mounted on the floor. The gearshift pattern consists of seven positions: Neutral, five forward gears, and Reverse.



5-Speed Overdrive manual transmission shift pattern

Backing up

To shift into R (Reverse):

1. Push the clutch pedal in all the way to the floor and hold it. If you do not hold the clutch pedal in all the way, you may hear a grinding noise when you shift.
2. Bring your vehicle to a complete stop. Failure to do so may cause synchronizer teeth damage, reducing the useful life of your transmission.

-
3. Put the gearshift in Neutral and wait at least 3 seconds before shifting into R (Reverse) to prevent a grinding noise. Do not release the clutch.
 4. Push the gearshift all the way to the right and pull it back into Reverse.

With the 5-speed transmission you can engage R (Reverse) only by moving the gearshift from the left of 3 (Third) and 4 (Fourth) gears before you shift into R (Reverse). This is a special lockout feature that protects you from accidentally shifting into R when you downshift from 5 (Fifth) gear.

5. Once R (Reverse) is engaged, slowly release the clutch pedal from the floor.

If R (Reverse) is not engaged, continue to push the clutch pedal in while you put the gearshift back into Neutral. Then, release the clutch pedal for a moment and repeat steps 2 through 5.

Upshifting/downshifting

Upshift and downshift at the speeds that are specified in the charts.

Recommended Shift Speeds

Engines with 5-Speed Manual Overdrive Transmission

Upshifts: Normal Accelerating (Recommended for Best Fuel Economy)

Upshift from:	Transfer Case Mode:	
	2WD or 4WD High**	4WD Low
First to Second	10 mph (17 km/h)	4 mph (7 km/h)
Second to Third	22 mph (37 km/h)	9 mph (15 km/h)
Third to Fourth	33 mph (55 km/h)	13 mph (22 km/h)
Fourth to Overdrive	41 mph (68 km/h)	17 mph (28 km/h)

Upshifts: Cruising Conditions (Recommended for Best Fuel Economy)

Upshift from:	Transfer Case Mode:	
	2WD or 4WD High**	4WD Low
First to Second*	10 mph (16 km/h)	4 mph (7 km/h)
Second to Third	19 mph (32 km/h)	8 mph (13 km/h)
Third to Fourth	28 mph (47 km/h)	12 mph (20 km/h)
Fourth to Overdrive	40 mph (67 km/h)	16 mph (27 km/h)

Maximum Downshift Speeds (For Overdrive)*

Shift from:	Transfer Case Mode:	
	2WD or 4WD High**	4WD Low
Overdrive to Fourth	55 mph (92 km/h)	22 mph (37 km/h)
Fourth to Third	45 mph (75 km/h)	18 mph (30 km/h)
Third to Second	35 mph (58 km/h)	14 mph (23 km/h)
Second to First	20 mph (33 km/h)	8 mph (13 km/h)

* Downshift at lower speeds when driving on slippery surfaces.

** Use the following for 4x2 Applications.

When you slow down or climb a steep hill, always downshift before the engine starts to lose power. Downshifting reduces the chance of stalling and gives your vehicle better acceleration to increase speed again.

When you drive down steep hills, downshifting helps you keep a safe speed and helps prevent unnecessary wear on the brakes.

When you come to a stop, do not downshift through each gear. Disengage the clutch and use the brake as necessary. Downshifting through the gears decreases your vehicle's fuel economy.

WARNING

Continued use of a damaged or worn clutch, prolonged clutch slippage or downshifting at excessive speeds can result in a failure of the engine, transmission or clutch components.

Transmission Function

Upshift at the speeds specified in the chart. All forward gears are synchronized allowing you to shift into them with your vehicle in motion. The clutch pedal should be fully depressed when shifting.

NOTE: Shifting during extremely low RPMs can result in a momentary audible rattle which disappears as vehicle RPMs are increased. Shifting at higher speeds will eliminate this sound.

Parking

To park your vehicle, apply the service brake pedal, and shift into N (Neutral) while still maintaining pressure on the service brake. Set the parking brake fully. Shift into first and turn off the ignition.

WARNING

Do not park your vehicle in Neutral, it may move unexpectedly and injure someone. Use 1 (First) gear and set the parking brake fully.
--

With the transfer case in N (Neutral), the vehicle is free to move with either the automatic transmission in P (Park) or with the manual transmission in any driving gear.

WARNING

Do not leave the vehicle unattended with the transfer case in the N (Neutral) position. Always set the parking brake fully and turn off the ignition when leaving the vehicle.

Four-Wheel Drive (4WD) System (If equipped)

When you select the 4WD mode, your vehicle uses all four wheels to power itself. This increases traction, enabling you to drive your 4x4 over terrain and road conditions not travelled normally by two-wheel drive vehicles.

Power is supplied to all four wheels through a transfer case that allows you to select four-wheel drive when necessary. Methods for engaging and disengaging 4WD and low range will depend on which system your vehicle has.

4WD Systems — Select Drive Electric Shift

The select drive electric shift system functions in three modes. In two-wheel drive mode, power is delivered only to the rear axle at normal road speed. The 4x4 HIGH position provides four-wheel drive with power delivered to the front and rear axles for increased traction. The 4x4 LOW position provides four-wheel drive with power delivered to the front and rear axles when above average power is required at reduced speeds.

Four-wheel drive operation (4x4 HIGH or 4x4 LOW) on dry pavement is not recommended. Operating the vehicle in four-wheel drive on dry pavement will increase noise, vibration, tire wear, decrease fuel economy, and make four-wheel drive disengagement difficult for the transfer case.

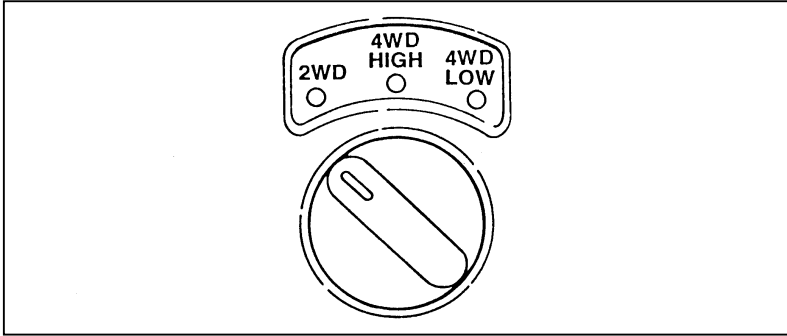
Electric shift system indicator lights

A 4WD indicator light and a 4WD LOW indicator light are located in the instrument cluster. If either light flashes, take your vehicle in for service.

- Two-Wheel Drive mode — Neither the 4WD nor the 4WD LOW lights are lit.
- 4WD High — Only the 4WD light is lit.
- 4WD LOW mode — Both the 4WD and 4WD LOW lights are lit.

To shift from Two-Wheel Drive to 4WD High:

To shift into 4WD High rotate the 4WD switch located on the instrument panel to 4x4 High. This shift can be done at a stop or at speeds up to 55 miles per hour (88 km/h). When the vehicle is driven, the automatic locking hubs will engage. If the vehicle is stopped while in 4WD and the vehicle direction is reversed from the previous direction, the automatic locking hubs will momentarily disengage and re-engage. The automatic locking hubs may click as they automatically engage in the new direction.



Select drive rotary switch

At extremely low temperatures, it may be necessary to slow down or even stop to shift from two wheel drive to 4WD.

The initial shift from two-wheel drive to 4WD while the vehicle is moving can cause some momentary clunk and ratcheting sounds. This is the front drivetrain coming up to speed and the automatic locking hubs engaging and is not a cause for concern.

Because of possible damage to powertrain components, never shift from two-wheel drive to 4WD with the rear wheels slipping.

To shift from 4WD High to Two-Wheel Drive:

Rotate the 4WD switch to 2WD; the 4WD light on the instrument cluster will go out, indicating the vehicle is in two-wheel drive. This can be done at any speed. To disengage the automatic locking hubs, operate the vehicle in two-wheel drive in the opposite direction for approximately 10 feet (3 meters) in a straight line.

For example:

If you were driving the vehicle forward in 4WD, the automatic locking hubs will disengage the next time the vehicle is driven in reverse in two-wheel drive for approximately 10 feet (3 meters) in a straight line.

If you were driving the vehicle in reverse in 4WD, the automatic locking hubs will disengage the next time the vehicle is driven forward in two-wheel drive for approximately 10 feet (3 meters) in a straight line.

Operating in two-wheel drive mode with the hubs locked increases fuel consumption, noise, vibration, and wear. For prolonged two-wheel drive operation on dry pavement, disengagement of the automatic locking hubs, which is not required for two-wheel drive operation, stops all movement of front-wheel drive components while operating in two-wheel drive.

During axle break-in or operation in extremely cold temperatures, the automatic locking hubs may not release completely. It may be necessary to drive the vehicle for 10 to 15 minutes before repeating the release procedure.

To shift from 4x4 HIGH or 2WD to 4x4 LOW:

Stop the vehicle, depress the brake and place the automatic transmission in N (Neutral) or depress the clutch on vehicles with a manual transmission. Rotate the 4WD switch on the instrument panel to 4x4 LOW. Both the 4WD and 4WD LOW lights are now lit.

To shift from 4x4 LOW to 4x4 HIGH or 2WD:

Stop the vehicle, depress the brake and place the automatic transmission into N (Neutral) or depress the clutch on vehicles with a manual transmission. Rotate the 4WD switch on the instrument panel to 4x4 HIGH or 2WD.

It is not recommended to operate the vehicle in the 4WD modes with a temporary spare. If 4WD operation is necessary, do not operate at speeds above 10 mph or for distances above 50 miles. Extended operation in 4WD with a temporary spare may result in damage to drivetrain components.

4x4 Systems — Lever Operated

The lever operated transfer case can be placed into four positions. The 2H position is the two-wheel drive position in which power is delivered only to the rear axle. The 4H position provides four-wheel drive with power delivered to the front and rear axles for increased traction. The 4L position provides four-wheel drive with power delivered to the front and rear axles when the above average power is required at reduced speeds. In the N (neutral) position, there is no power delivered to either axle.

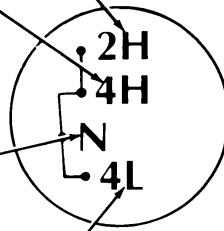
Transfer Case Selections for Manual or Automatic Transmissions

Two-Wheel Drive Position – Power to rear axle only. Instrument panel "4WD" light is OFF.

Four-Wheel Drive Position – Power to front and rear axles at normal speed. Instrument panel "4WD" light is ON.

Neutral – No power to either axle. Use for vehicle towing. Instrument panel "4WD" light is OFF.

Four-Wheel Drive (Low Range) Position – Power to front and rear axles at reduced speed. Instrument Panel "4WD" and "4WD Low" lights are ON.



Transfer case selections

Four-wheel drive operation (4H or 4L) on dry pavement is not recommended. Operating the vehicle in four-wheel drive on dry pavement will increase tire wear, decrease fuel economy, and make four-wheel drive disengagement difficult for the transfer case.

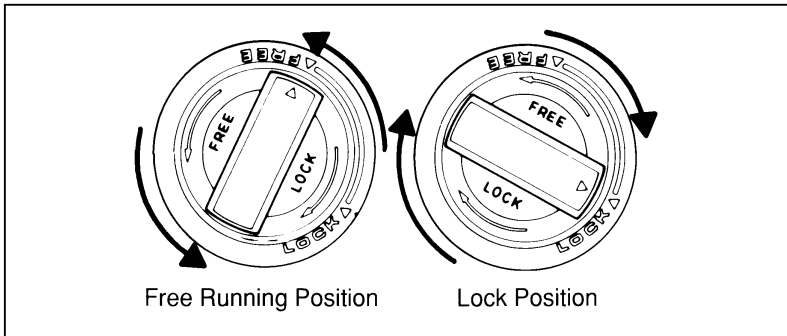
4WD system indicator lights

A 4WD light and a 4WD LOW light are located in the instrument cluster.

- 2H position — Neither the 4WD or the 4WD LOW lights are lit.
- 4H position — Only the 4WD light is lit.
- N position — Neither the 4WD or 4WD LOW lights are lit.
- 4L position — Both the 4WD and the 4WD LOW lights are lit.

To shift from 2H to 4H:

Stop the vehicle and engage the manual locking hubs by turning both hub lock selector knobs clockwise to the LOCK position. Move the transfer case shift lever straight back to the 4H position. After both hubs have been turned to the LOCK position, shifts between 2H and 4H (or 4H to 2H) may take place at any speed.



Locking hub positions

NOTE: Do not drive the vehicle in 4H or 4L with the manual locking hubs in the FREE position.

NOTE: Do not drive the vehicle with the left and right manual locking hubs set to different positions.

To shift from 4H to 2H:

Move the transfer case shift lever forward to the 2H position. This can be done at any speed. However, the front driveline will remain engaged to the front wheels until the manual locking hubs are disengaged. To disengage the manual locking hubs, stop the vehicle and rotate both hub lock selector knobs counterclockwise to the FREE position.

Operating in 2H with the hubs in the LOCK position increases fuel consumption, noise, vibration, and wear. For prolonged 2H operation on dry pavement, set the manual locking hubs to the FREE position.

To shift between 4H and 4L:

Stop the vehicle and place the automatic transmission into N (Neutral) or depress the clutch on vehicles with a manual transmission. Pull the transfer case shift lever to the left and shift the transfer case to the desired 4H or 4L position. This shift should be with one continuous motion without pausing in the N position. Pausing in the neutral position can result in gear clash and difficult shifting. If while shifting between 4H and 4L, the transfer case gets stuck in the N position or is difficult to shift into either 4H or 4L, it may be necessary to let the vehicle roll slightly and/or turn off the engine (particularly on vehicles equipped with automatic transmissions).

To shift between N (Neutral) and either 4H or 4L

To shift into N (Neutral), stop the vehicle and engage the parking brake. Place the automatic transmission into N (Neutral) or depress the clutch on manual transmission vehicles. From either the 4H or 4L position, pull the transfer case shift lever to the left and move the transfer case shift lever to the N (Neutral) position. The N (Neutral) position should only be used for vehicle towing.

With the transfer case in N (Neutral), the vehicle is free to move with either the automatic transmission in P (Park) or with the manual transmission in any driving gear.

WARNING

Do not leave the vehicle unattended with the transfer case in the N (Neutral) position. Always set the parking brake fully and turn off the ignition when leaving the vehicle.

To shift from N (Neutral) to either 4H or 4L, stop the vehicle and engage the parking brake. Place the automatic transmission into N (Neutral) or depress the clutch on manual transmission vehicles. Push the transfer case shift lever to the desired position. If it is difficult to shift into either 4H or 4L, it may be necessary to let the vehicle roll slightly and/or turn off the engine (particularly on vehicles equipped with automatic transmissions).

Driving Off Road with 4-Wheel Drive

Vehicles equipped with four-wheel drive are especially equipped for driving on sand, snow, mud, or rough terrain and have operating characteristics that are somewhat different from conventional vehicles, both off and on the road. The driving tips below will help you learn to use four-wheel drive.

- Do not use four-wheel drive on dry, hard-surfaced roads, especially with a temporary spare tire in use.
- Special maintenance procedures are necessary after operating with drive components in water.
- Manual locking hubs must be in LOCK position before shifting into four-wheel drive.

When using four-wheel drive, maintain steering wheel control at all times, especially in rough terrain. Since sudden changes in terrain can result in abrupt steering wheel motion, make sure you grip the steering wheel rim from the outside. Do not grip the spokes.

Drive cautiously to avoid vehicle damage from concealed objects such as rocks and stumps. Know the terrain or examine maps of the area in question before driving. Map out your route beforehand. To maintain steering and braking control of your vehicle, you must have all four tires on the ground, and they must be rolling, not sliding or spinning.

Transmission upshift in 4WD with transfer case in 4WD LOW may be quite firm due to large total gear reduction. This condition is normal.

Rocking the Vehicle

If your vehicle gets stuck, engage 4WD LOW (for 4x4-equipped vehicles) and try to drive away.

If your vehicle gets stuck in mud or snow, you may rock it out of the spot. Shift in a steady rhythm between forward and reverse gears. Allow the transmission to fully engage, then press lightly on the accelerator. Do not rock the vehicle for more than a few minutes. This may overheat the engine and transmission, causing damage to both. In addition, other vehicle systems and components may also be damaged.

WARNING
Do not spin the wheels at over 35 mph (55 km/h). The tires may fail and injure a passenger or bystander.

Sand

When driving over sand, try to keep all four wheels of the vehicle on the most solid area of the trail. Do not reduce the tire pressures but shift to a lower gear and drive steadily through the terrain. Apply accelerator slowly and avoid spinning the wheels.

Mud and Water

When driving through water, determine the depth; avoid water higher than the bottom of the hubs (if possible) and proceed slowly. If the ignition system gets wet, the vehicle may stall.

Once through water, always try the brakes. Wet brakes do not stop the vehicle as effectively as dry brakes. Drying can be improved by moving your vehicle slowly, while applying light pressure on the brake pedal.

After driving through mud, clean off residue stuck to rotating driveshafts and tires. Excess mud stuck on tires and rotating driveshafts causes an imbalance which could damage drive components.

NOTE: If the transmission and transfer case is submerged in water, their fluids should be checked and changed, if necessary.

Additional Special Driving Instructions for 4-Wheel Drive Vehicle Operators

Driving on Hill or Slope Terrain

When driving on a hill, avoid driving crosswise or turning on steep slopes; you could lose traction and slip sideways. Drive straight up, straight down or avoid the hill completely. Know the conditions on the other side of a hill before driving over the crest.

When climbing a steep hill, start in a lower gear, rather than finding it necessary to downshift from a higher gear after the ascent has started. This reduces strain on the engine and the possibility of stalling.

When descending a steep hill avoid sudden braking. Rapid pumping of the brake pedal will help slow the vehicle and still maintain steering control.

Driving on Snow or Ice

A four-wheel drive or all-wheel drive vehicle has advantages over two-wheel drive vehicles in snow and ice but can skid like any other vehicle. If so equipped, keep the vehicle in four-wheel drive if icy or slippery conditions exist.

Avoid sudden applications of power and quick changes of direction on snow or ice. Apply the accelerator slowly and steadily when starting from a full stop.

All utility-type and Four-Wheel Drive vehicles have special design and equipment features to make them capable of performing in a wide variety of off-road applications. Specific design characteristics give them higher centers of gravity than ordinary passenger cars.

WARNING

Utility and four-wheel drive vehicles are NOT designed for cornering at speeds as high as passenger cars any more than low-slung sports cars are designed to perform satisfactorily under off-road conditions. Avoid sharp turns or abrupt maneuvers in these vehicles.
--

Driving With a Heavy Load

There are limits to the amount of weight your vehicle can carry or tow. The total weight of your vehicle, plus the weight of the passengers and cargo, should never be more than the Gross Vehicle Weight Rating (GVWR). Also, the weight that your vehicle carries over the front axle and rear axle should never be more than the Gross Axle Weight Rating (GAWR) for the respective axle.

The weight limits of your vehicle's tires affect the GVWR or GAWR limitations. Usage of replacement tires with higher weight limits than originals does not increase GVWR or GAWR. Usage of lower capacity replacement tires may lower GVWR and GAWR limitations.

WARNING

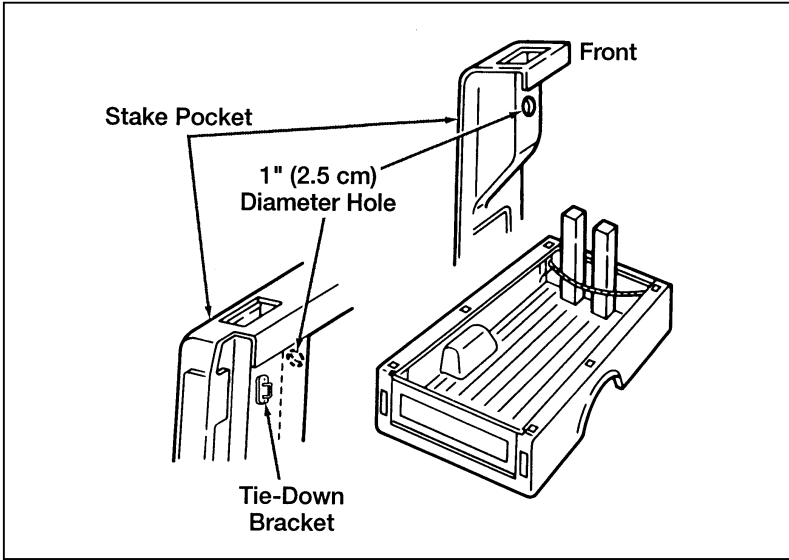
Do not exceed the GVWR or the GAWR specified on the Safety Compliance Certification Label.

Securing Loads in Cargo Area

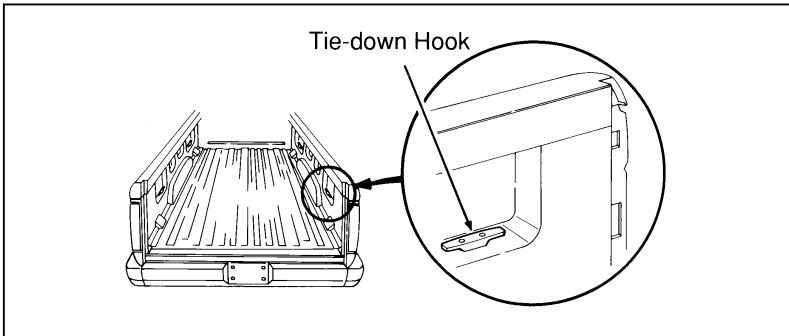
To prevent damage to the pickup box and cab, secure any movable cargo pieces using ropes or straps and the tie down holes in the stake pockets of the steel pickup box or the tie-down brackets inside the pickup box.

The Splash pickup box contains additional tie-down hooks to secure cargo.

Secure all items in cargo area to prevent them from falling out and creating a safety hazard on the roadway.



Cargo tie-down holes and brackets

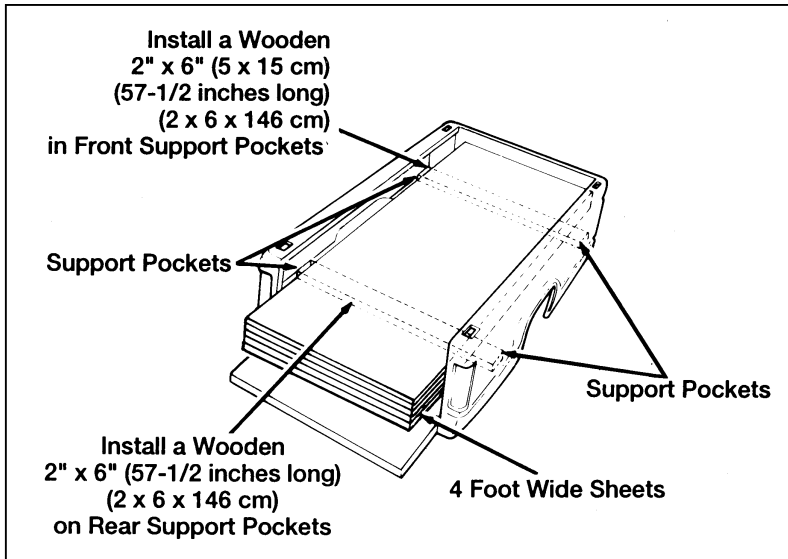


Cargo tie-down hooks — Splash pickup box

Loading sheets of building material

Four-foot (122 cm) wide sheets of building or other material will not fit flat on the pickup box floor. However, support pockets in the pickup walls permit up to 500 lb (227 kg) of this type cargo to be carried on crossbody mounted 2" x 6" (5 x 15 cm) boards (styleside box only). See illustration.

NOTE: Four-foot wide sheets will not fit flat on the Splash pickup box floor.



Loading four foot (122 cm) building material sheets (styleside box only)

Vehicle/Trailer Loads

All vehicles may tow a Class I trailer provided the Gross Combined Weight (GCW) is less than or equal to the GVWR shown on the Safety Compliance Certification Label. For heavier trailer applications, refer to the towing information found later in this chapter.

Trailer Towing

Towing a trailer puts additional loads on your vehicle's engine, transmission, axle, brakes, tires and suspension. For your safety and for the good of your vehicle, use the right equipment for the type of trailer you tow.

Your trailer towing capability will vary based on the standard and optional equipment on your vehicle. Refer to the following *Vehicle Loading/Towing Information* and the Trailer Towing Tables to determine the specific towing capability of your vehicle.

- Stay within the load limits when you tow.
- Carefully and thoroughly prepare your vehicle for towing, making sure to use the right equipment and to attach it properly. (See *Preparing to Tow* in this chapter.)
- Use extra caution when driving your vehicle while you tow. (See *Driving while you tow* in this chapter.)
- Service your vehicle more frequently if you tow a trailer. (See *Servicing your vehicle if you tow* in this chapter.)

Do not tow a trailer until your vehicle has been driven at least 500 miles (800 km).

Vehicle Loading/Towing Information

Your vehicle's load capacity is designated by weight, not volume, so you cannot necessarily use all available space with large or heavy loads. Maximum safe vehicle weights as well as tire, rim sizes and inflation pressures are specified for your vehicle at the assembly plant on the Safety Compliance Certification Label. The Certification Label is located on the left front door lock facing or the door latch post pillar.

Trucks, unlike passenger cars, are basically custom vehicles designed to carry a load. Most owners start with a base vehicle and add production and dealer installed and/or aftermarket components to suit their tastes and purposes. Even trucks that are purchased for personal transportation only are likely to have considerable optional equipment, such as step bumpers and light bars, for example.

WARNING
<p>It is extremely dangerous to ride in a cargo area, inside or outside of a vehicle. In a collision, people riding in these areas are more likely to be seriously injured or killed. Do not allow people to ride in any area of your vehicle that is not equipped with seats and safety belts. Be sure everyone in your vehicle is in a seat and using a safety belt properly.</p>

Each additional item of equipment affects how much cargo a vehicle can carry. If a vehicle is overloaded, performance will suffer and service concerns may arise.

The following is a typical example of a Safety Compliance Certification Label and an explanation of how this information should be used:

Sample Safety Compliance Certification Label

(Refer to Actual Label
on Your Vehicle)

MFD. BY FORD MOTOR CO. IN U.S.A.

DATE: 1/91	GVWR: 4500 LBS. 2077 KGS.
FRONT GVWR: 2220 LBS 1012 KGS	REAR GVWR: 2750 LBS 1247 KGS
P215/70R14XL	WITH TIRES
14 1.5.0J	WITH RIMS
AT 30 PSI COLD	ALL MOTOR
THIS VEHICLE CONFIRMS	VEHICLE SAFETY
MANUFACTURE	DATE OF

SAMPLE

VIN: _____
TYPE: _____

EXTERIOR PAINT COLORS: _____ DSO
WB TYPE-GVW BODY TRANS AXLE TAPE SPRINGS

FOTR-1520K410-8A

On Rear Edge of Driver's Door

Safety Compliance Certification Label

Do not use the sample numbers on the Safety Compliance Certification Label shown. Use the actual numbers from your vehicle certification label.

Understanding Loading/Towing Information

The following terms are used to describe the ability to carry or tow a load:

- Base Curb Weight
- Payload
- GVW (Gross Vehicle Weight)
- GVWR (Gross Vehicle Weight Rating)
- GAWR (Gross Axle Weight Rating)
- GCWR (Gross Combined Weight Rating)
- Maximum Trailer Weight Rating
- Maximum Trailer Weight
- Trailer Weight Range

Base Curb Weight

The Base Curb Weight is the weight of the vehicle including fuel, coolants, lubricants, emergency tools, spare wheel and tire. It also includes any equipment that is *standard* on that model. It does not include passengers, cargo or optional equipment installed by factory, dealer, aftermarket supplier or customer.

Payload

Payload is the combined, maximum allowable weight of cargo, occupants and optional equipment that the truck is designed to carry. It is Gross Vehicle Weight Rating minus the base curb weight.

Gross Vehicle Weight (GVW)

If you add base curb weight and the weight of a load (including passengers, cargo and optional equipment) being carried at a particular time, you get the Gross Vehicle Weight (GVW).

It is important to remember that GVW *is not a limit or a specification*. If an owner loads up a vehicle and weighs it, that's the GVW at that moment. If the owner piles on more of a load and weighs it again, that becomes the GVW.

Gross Vehicle Weight Rating (GVWR)

To avoid overloading a vehicle, the owner should observe the manufacturer's specified Gross Vehicle Weight Rating. The GVWR is the maximum total weight of base vehicle, passengers, optional components and cargo that a particular vehicle was designed to carry.

Gross Axle Weight Rating (GAWR)

We have all seen a car or a truck that is loaded down in the rear and riding high in the front. This is a dangerous condition that usually means that the rear suspension components are under severe strain and that vehicle handling is impaired. There is more to carrying a load than just payload or GVWR.

Your Safety Compliance Certification Label not only gives the GVWR, it also gives the Gross Axle Weight Rating (GAWR) which is the carrying capacity for each axle system. For trucks, the rear axle will be designed to carry more weight than the front.

The rating is based on the carrying capacity of the *lowest rated* axle and suspension component as well as other factors. This is why it's so important to observe vehicle loading ratings. Overloading a vehicle punishes components and can lead to shortened service life or outright failure.

The capacity of the tires is included as part of the axle and suspension system, which is to be considered when determining the lowest rated component. Tires are rated to carry a specific maximum load at a specific maximum tire pressure.

Passenger car type tires when installed on light trucks and multipurpose passenger vehicles are rated at 10% lower load carrying capacity due to the differences in vehicle usages.

The vehicle must not be loaded to both the front and rear GAWR because the GVWR will be exceeded. The GAWR of the front and rear axles exceeds the GVWR when added together to allow flexibility in fore and aft loading of cargo.

With the tires inflated to the specified pressure, the total weight of your vehicle must not exceed the GVWR and GAWR specified on the Safety Compliance Certification Label. This includes full fuel tank(s), vehicle equipment, and occupants as well as the cargo load.

GCWR (Gross Combined Weight Rating)

GCWR is the maximum combined weight of the towing vehicle (including passengers and cargo) and the loaded trailer. The GCWR is specified by the manufacturer to indicate the combined maximum loaded weight that the vehicle is designed to tow.

Maximum Trailer Weight Rating

The maximum trailer weight rating is the maximum weight of a trailer the vehicle is permitted to tow. It is specified by the manufacturer and is determined by subtracting the vehicle curb weight for each engine/transmission combination, any required option weight for trailer towing and the weight of the driver from the GCWR for the towing vehicle.

Maximum Trailer Weight

The maximum trailer weight is the maximum weight of a trailer the loaded vehicle is permitted to tow. It is determined by subtracting the weight of the loaded towing vehicle (including passengers and cargo) from the GCWR for the towing vehicle.

Trailer Weight Range

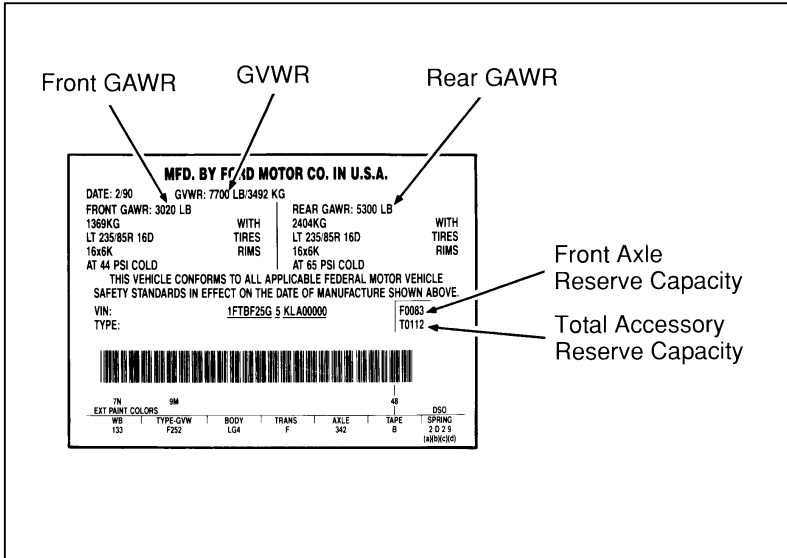
The trailer weight range is a specified range by weight, which the trailer must fall within, ranging from zero to the maximum trailer weight rating.

NOTE: Ranger pick-ups are not recommended for slide-in camper usage.

Calculating The Load

To know how much weight your vehicle can carry:

- Obtain ratings from your Safety Compliance Certification Label, and the Trailer towing specifications in the Owner Guide (refer to the Index)
 - Refer to the following sample illustration to locate the various ratings on your Safety Compliance Certification Label.
 - If you do not plan on pulling a trailer, do not include these ratings into your calculations.
- Weigh your vehicle as you customarily operate the vehicle (without cargo).
- Subtract the total weight of passengers, driver and optional equipment added by the factory, dealer or aftermarket supplier to determine how much cargo weight you can carry.

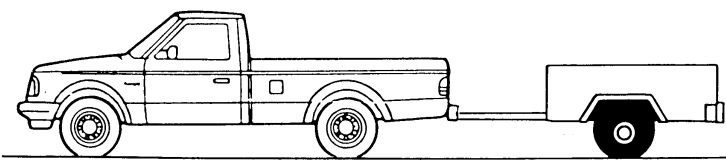


Sample label

If you suspect that your payload is excessive, have your vehicle weighed at a highway weigh station or appropriate commercial facility. Weigh the total vehicle and trailer (if applicable), then separately weigh the vehicle at the front and rear wheels. And finally, weigh the trailer separately if applicable.

Use this chart to perform your calculations.

Actual Weights



GAW Front _____

GAW Rear _____

GAW Trailer _____

GVW (Front & Rear) _____

GCW (Gross Combined Weight)
(GAW Front & Rear & Trailer) _____

Refer to your owner guide charts to find the maximum GCWR for your type of engine and rear axle ratio.

Ratings	Actual	Load Capacity Available
GAWR F _____	_____	_____
R _____	_____	_____
GVWR _____	_____	_____
GCWR _____	_____	_____

Subtract the actual weights from the ratings to determine the available cargo load capacity.

NOTE: The Truck Safety Compliance Certification Label has two weight related entries that sometimes cause confusion.

Driving

Front Axle Reserve Capacity in Pounds (kgs): If this value is given as 83 pounds (38 kgs) on the label, does this mean that you are limited to adding only 83 pounds (38 kgs) of accessories to the front end capacity? Not exactly. This says that you can load 83 pounds (38 kgs) of options on the front axle, add 150 pound (68 kgs) passengers to all seating positions, and add evenly distributed cargo in the box without exceeding the GAWR F.

It is possible to hang heavier equipment on the front as long as the vehicle owner/operator compensates. This can be accomplished, if necessary, by carrying fewer passengers, less cargo or positioning cargo more toward the rear, which has the effect of reducing the load on the front. Keep in mind that the GAWR F, GAWR R, nor the GVWR should ever be exceeded.

Total Accessory Reserve Capacity in Pounds (kgs): If, for example, this value is given as 112 pounds (51 kgs), does this mean that you are limited to adding 112 pounds (51 kgs) of accessories to your vehicle? Not exactly. This is a number that is related to government crash test standards, and only indirectly reflects on the amount of accessory weight that can be carried.

In the case of both these numbers (83 and 112 pounds) (38 and 51 kgs), the important thing to remember is that for safe operation, an owner/operator should calculate the amount and the distribution of all weights (passengers, accessory equipment and cargo). These combined weights should fall below the vehicle's GVWR and GAWR.

Camper Bodies

NOTE: Your Ranger Pickup is not recommended for slide-in camper bodies.

Trailers

Towing a trailer safely means having the proper weight on the tongue (usually 10% of the trailer weight). Load-equalizing hitches on large rigs may transfer weight to each of the vehicle's axles. This weight must be included in capacity calculations when determining if the vehicle is loaded within safe limits.

If your vehicle exceeds the GVWR, remove cargo from your vehicle accordingly. If your vehicle exceeds the GAWR for either axle, shift the load or remove cargo accordingly.

WARNING
Do not exceed the GVWR or the GAWR specified on the Safety Compliance Certification Label.

WARNING
Towing trailers beyond the maximum recommended gross trailer weight could result in engine damage, transmission/axle damage, structural damage, loss of control, and personal injury.

Use the Safety Compliance Certification Label to find the axle code number and the engine type for your vehicle.

Use the appropriate Maximum Gross Combined Weight Rating (GCWR) chart to find the Maximum GCWR for your type engine and rear axle ratio.

Subtract your Loaded Vehicle Weight from the Maximum GCWR found in the chart. This is the maximum trailer weight your vehicle can tow and must fall below the maximum shown under Trailer Weight on the chart.

MFD. BY FORD MOTOR CO. IN U.S.A.


DATE: _____ GVWR: _____
 FRONT GAWR: _____ REAR GAWR: _____

WITH TIRES RIMS WITH TIRES RIMS

AT PSI COLD AT PSI COLD

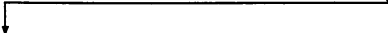
THIS VEHICLE CONFORMS TO ALL APPLICABLE FEDERAL MOTOR VEHICLE SAFETY STANDARDS IN EFFECT ON THE DATE OF MANUFACTURE SHOWN ABOVE.

VIN: _____
 TYPE: _____



EXTERIOR PAINT COLORS _____ DSO _____

WB	TYPE-GVW	BODY	TRANS	AXLE	TAPE	SPRINGS
				F62*		▽FOTA-15204A10-AA

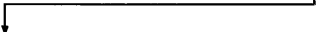


* First two digits refer to rear axle.

Rear Axle Codes

Code	Description	Capacity		Ratio
		Lbs.	Kgs	
82	Ford — Conventional	2,750	1,247	3.08
84	Ford — Conventional	2,750	1,247	3.45
86	Ford — Conventional	2,750	1,247	3.73
87	Ford — Conventional	2,750	1,247	4.10
91	Ford — Conventional	2,750	1,247	3.27
92	Ford — Conventional	2,750	1,247	3.08
96	Ford — Conventional	2,750	1,247	3.73
F6	Ford — Traction-Lok	2,750	1,247	3.73
F7	Ford — Traction-Lok	2,750	1,247	4.10
R5	Ford — Traction-Lok	2,750	1,247	3.55

1 FTBR10 **A** 5GLA00001



VIN Code	Displacement		Cylinders	Fuel	Manufacturer
	Liter	CID			
A	2.3	140	4	Gasoline	Ford
U	3.0	182	6	Gasoline	Ford
X	4.0	245	6	Gasoline	Ford

Manual Transmissions

TRAILER TOWING TABLE 4x2 MANUAL TRANSMISSION				
GCWR (Gross Combined Weight Rating)/Trailer Weights				
Engine (EFI)	Rear Axle Ratio	Maximum GCWR Lb (Kg)	Trailer Weight Range Lb (Kg) (0-Maximum)	Maximum Frontal Area of Trailer Ft²
REGULAR CAB 4x2				
2.3L	3.45	Not recommended for trailer towing		
2.3L	3.73	4,800 (2,177)	0-1,600 (0-725)	①
3.0L	3.45	5,000 (2,267)	0-1,800 (0-816)	①
3.0L	3.73	6,000 (2,721)	0-2,800 (0-1,270)	50
4.0L	3.08	5,000 (2,267)	0-1,700 (0-771)	①
4.0L	3.55	7,000 (3,175)	0-3,700 (0-1,678)	50
REGULAR CAB 4x2 (SPLASH OR SPECIAL SUSPENSION)				
2.3L	3.73	4,800 (2,177)	0-1,500 (0-680)	①
3.0L	3.73	5,300 (2,404)	0-2,000* (0-907)	①
4.0L	3.08	5,000 (2,267)	0-1,600 (0-725)	①
4.0L	3.55	5,400 (2,449)	0-2,000* (0-907)	①
SUPER CAB 4x2				
2.3L	3.73	4,800 (2,177)	0-1,300 (0-589)	①

**TRAILER TOWING TABLE
4x2 MANUAL TRANSMISSION**

GCWR (Gross Combined Weight Rating)/Trailer Weights

Engine (EFI)	Rear Axle Ratio	Maximum GCWR Lb (Kg)	Trailer Weight Range Lb (Kg) (0-Maximum)	Maximum Frontal Area of Trailer Ft²
SUPER CAB 4x2 (Cont'd.)				
3.0L	3.45	5,000 (2,267)	0-1,500 (0-680)	①
3.0L	3.73	6,000 (2,721)	0-2,500 (0-1,133)	50
4.0L	3.08	5,000 (2,267)	0-1,500 (0-680)	①
4.0L	3.55	7,000 (3,175)	0-3,400 (0-1,542)	50
SUPER CAB 4x2 (SPLASH OR SPECIAL SUSPENSION)				
3.0L	3.73	5,700 (2,585)	0-2,000* (0-907)	①
4.0L	3.08	5,000 (2,267)	0-1,300 (0-589)	①
4.0L	3.55	5,700 (2,585)	0-2,000* (0-907)	①
NOTES:				
* Optional payload is not available on 4x2 Splash or Special Suspension, therefore max trailer weight is limited to 2000# (907 kgs).				
① Equal to frontal area of base vehicle.				
- For high altitude operation, reduce GCW by 2% per 1,000 ft. (300 meters) elevation.				
- For definition of terms used in this table see 'UNDERSTANDING LOADING/TOWING INFORMATION' earlier in this section.				
- To determine the maximum trailer weight designed for your particular vehicle as equipped, follow the section called 'CALCULATING THE LOAD' earlier in this section.				
- Maximum trailer weights shown. The combined weight of the completed towing vehicle (including hitch, passengers and cargo) and the loaded trailer must not exceed the Gross Combined Weight Rating (GCWR).				

TRAILER TOWING TABLE 4x4 MANUAL TRANSMISSION				
GCWR (Gross Combined Weight Rating)/Trailer Weights				
Engine (EFI)	Rear Axle Ratio	Maximum GCWR Lb (Kg)	Trailer Weight Range Lb (Kg) (0-Maximum)	Maximum Frontal Area of Trailer Ft²
REGULAR CAB 4x4				
2.3L	4.10	4,800 (2,177)	0-1,300 (0-589)	①
3.0L	3.73	6,000 (2,721)	0-2,400 (0-1,088)	50
4.0L	3.27	6,000 (2,721)	0-2,000 (0-907)	50
4.0L	3.73	7,000 (3,175)	0-3,400 (0-1,542)	50
REGULAR CAB 4x4 (SPLASH)				
3.0L	3.73	6,000 (2,721)	0-2,500 (0-1,133)	50
4.0L	3.27	6,000 (2,721)	0-2,000 (0-907)	50
4.0L	3.73	7,000 (3,175)	0-3,400 (0-1,542)	50
SUPER CAB 4x4				
3.0L	3.73	6,000 (2,721)	0-2,100 (0-952)	50
4.0L	3.27	6,000 (2,721)	0-2,000 (0-907)	50
4.0L	3.73	7,000 (3,175)	0-3,000 (0-1,360)	50

**TRAILER TOWING TABLE (Cont'd)
4x4 MANUAL TRANSMISSION**

GCWR (Gross Combined Weight Rating)/Trailer Weights

Engine (EFI)	Rear Axle Ratio	Maximum GCWR Lb (Kg)	Trailer Weight Range Lb (Kg) (0-Maximum)	Maximum Frontal Area of Trailer Ft²
SUPER CAB 4x4 (SPLASH)				
3.0L	3.73	6,000 (2,721)	0-2,200 (0-997)	50
4.0L	3.27	6,000 (2,721)	0-2,000 (0-907)	50
4.0L	3.73	7,000 (3,175)	0-3,100 (0-1,406)	50

NOTES:

- ① Equal to frontal area of base vehicle.
- For high altitude operation, reduce GCW by 2% per 1,000 ft. (300 meters) elevation.
- For definition of terms used in this table see 'UNDERSTANDING LOADING/TOWING INFORMATION' earlier in this section.
- To determine the maximum trailer weight designed for your particular vehicle as equipped, follow the section called 'CALCULATING THE LOAD' earlier in this section.
- Maximum trailer weights shown. The combined weight of the completed towing vehicle (including hitch, passengers and cargo) and the loaded trailer must not exceed the Gross Combined Weight Rating (GCWR).

Automatic Transmissions

TRAILER TOWING TABLE				
4x2 AUTOMATIC TRANSMISSION				
GCWR (Gross Combined Weight Rating)/Trailer Weights				
Engine (EFI)	Rear Axle Ratio	Maximum GCWR Lb (Kg)	Trailer Weight Range Lb (Kg) (0-Maximum)	Maximum Frontal Area of Trailer Ft²
REGULAR CAB 4x2				
2.3L	3.73	5,500 (2,494)	0-2,300 (0-1,043)	①
3.0L	3.45	7,000 (3,175)	0-3,700 (0-1,678)	50
3.0L	3.73	7,500 (3,401)	0-4,000 (0-1,814)	50
4.0L	3.08	6,000 (2,721)	0-2,700 (0-1,224)	50
4.0L	3.55	9,500 (4,309)	0-6,000 (0-2,721)	50
REGULAR CAB 4x2 (SPLASH OR SPECIAL SUSPENSION)				
2.3L	3.73	5,300 (2,404)	0-2,000* (0-907)	①
3.0L	3.73	5,400 (2,449)	0-2,000* (0-907)	①
4.0L	3.08	5,400 (2,449)	0-2,000* (0-907)	①
4.0L	3.55	5,400 (2,449)	0-2,000* (0-907)	①

**TRAILER TOWING TABLE
4x2 AUTOMATIC TRANSMISSION**

GCWR (Gross Combined Weight Rating)/Trailer Weights

Engine (EFI)	Rear Axle Ratio	Maximum GCWR Lb (Kg)	Trailer Weight Range Lb (Kg) (0-Maximum)	Maximum Frontal Area of Trailer Ft²
SUPER CAB 4x2				
3.0L	3.73	7,500 (3,401)	0-4,000 (0-1,814)	50
4.0L	3.08	6,000 (2,721)	0-2,400 (0-1,088)	50
4.0L	3.55	9,500 (4,309)	0-5,900 (0-2,676)	50
SUPER CAB 4x2 (SPLASH OR SPECIAL SUSPENSION)				
3.0L	3.73	5,700 (2,585)	0-2,000* (0-907)	①
4.0L	3.08	5,800 (2,630)	0-2,000* (0-907)	①
4.0L	3.55	5,800 (2,630)	0-2,000* (0-907)	①

NOTES:

* Optional payload is not available on 4x2 Splash or Splash Sport Suspension, therefore max trailer weight is limited to 2000# (907 kgs).

① Equal to frontal area of base vehicle.

- For high altitude operation, reduce GCW by 2% per 1,000 ft. (300 meters) elevation.
- For definition of terms used in this table see 'UNDERSTANDING LOADING/TOWING INFORMATION' earlier in this section.
- To determine the maximum trailer weight designed for your particular vehicle as equipped, follow the section called 'CALCULATING THE LOAD' earlier in this section.
- Maximum trailer weights shown. The combined weight of the completed towing vehicle (including hitch, passengers and cargo) and the loaded trailer must not exceed the Gross Combined Weight Rating (GCWR).

Driving

TRAILER TOWING TABLE				
4x4 AUTOMATIC TRANSMISSION				
GCWR (Gross Combined Weight Rating)/Trailer Weights				
Engine (EFI)	Rear Axle Ratio	Maximum GCWR Lb (Kg)	Trailer Weight Range Lb (Kg) (0-Maximum)	Maximum Frontal Area of Trailer Ft²
REGULAR CAB 4x4				
3.0L	3.73	7,500 (3,401)	0-3,900 (0-1,769)	50
3.0L	4.10	8,000 (3,628)	0-4,400 (0-1,995)	50
4.0L	3.27	7,500 (3,401)	0-3,800 (0-1,723)	50
4.0L	3.73	9,500 (4,309)	0-5,800 (0-2,630)	50
REGULAR CAB 4x4 (SPLASH)				
3.0L	3.73	7,500 (3,401)	0-3,900 (0-1,769)	50
3.0L	4.10	8,000 (3,628)	0-4,400 (0-1,995)	50
4.0L	3.27	7,500 (3,401)	0-3,800 (0-1,723)	50
4.0L	3.73	9,500 (4,309)	0-5,800 (0-2,630)	50

**TRAILER TOWING TABLE (Cont'd.)
4x4 AUTOMATIC TRANSMISSION**

GCWR (Gross Combined Weight Rating)/Trailer Weights

Engine (EFI)	Rear Axle Ratio	Maximum GCWR Lb (Kg)	Trailer Weight Range Lb (Kg) (0-Maximum)	Maximum Frontal Area of Trailer Ft²
SUPER CAB 4x4				
3.0L	3.73	7,500 (3,401)	0-3,600 (0-1,632)	50
3.0L	4.10	8,000 (3,628)	0-4,100 (0-1,859)	50
4.0L	3.27	7,500 (3,401)	0-3,600 (0-1,632)	50
4.0L	3.73	9,500 (4,309)	0-5,600 (0-2,540)	50
SUPER CAB 4x4 (SPLASH)				
3.0L	3.73	7,500 (3,401)	0-3,700 (0-1,678)	50
3.0L	4.10	8,000 (3,628)	0-4,200 (0-1,905)	50
4.0L	3.27	7,500 (3,401)	0-3,600 (0-1,632)	50
4.0L	3.73	9,500 (4,309)	0-5,600 (0-2,540)	50

NOTES:

- For high altitude operation, reduce GCW by 2% per 1,000 ft. (300 meters) elevation.
- For definition of terms used in this table see '*UNDERSTANDING LOADING/ TOWING INFORMATION*' earlier in this section.
- To determine the maximum trailer weight designed for your particular vehicle as equipped, follow the section called '*CALCULATING THE LOAD*' earlier in this section.
- Maximum trailer weights shown. The combined weight of the completed towing vehicle (including hitch, passengers and cargo) and the loaded trailer must not exceed the Gross Combined Weight Rating (GCWR).

Preparing to Tow

For your safety and for the good of your vehicle, use the right equipment for the type of trailer you tow. Also, make sure that all towing equipment is properly attached to your vehicle. If you are not certain that you are using the right equipment in the proper manner, see your Ford or Lincoln-Mercury dealer.

Hitches

For towing trailers up to 2,000 lb (907 kg), use a weight carrying hitch and ball which uniformly distributes the trailer tongue loads through the underbody structure. Use a frame-mounted weight distributing hitch for trailers over 2,000 lb (907 kg).

Do not install a single or multi-clamp type bumper hitch, or a hitch which attaches to the axle. Underbody mounted hitches are acceptable if installed properly. Follow towing instructions of a reputable rental agency.

Whenever a trailer hitch and hardware are removed, make sure all mounting holes in the underbody are properly sealed to prevent noxious gases or water from entering.

Step bumper (If equipped)

The optional step bumper has a built-in hitch and only requires a ball with a 3/4 inch shank diameter. The step bumper has a Class I capability (2,000 lb/907 kg trailer weight and 200 lb/91 kg tongue weight).

NOTE: The rated capacities (as shown in this guide) for trailer towing with the factory bumper are only valid when the trailer hitch ball is installed directly into the ball hole in the bumper. Addition of bracketry to either lower the hitch ball position or extend the hitch ball rearward will significantly increase the loads on the bumper and its attachments. This can result in the failure of the bumper or the bumper attachments. Use of any type of hitch extensions should be considered abuse.

If it is necessary to relocate the trailer hitch ball position a frame mounted trailer hitch must be installed.

Safety Chains

Always use safety chains between your vehicle and trailer. Cross chains under the trailer tongue and allow slack for turning corners. Connect safety chains to the vehicle frame or hook retainers. **Never attach chains to the bumper.**

Trailer Brakes

Separate trailer brakes are required on most towed vehicles weighing over 1,500 lb (680 kg).

WARNING
Do not connect a trailer's hydraulic brake system directly to your vehicle's brake system. Your vehicle may not have enough braking power and your chances of having a collision greatly increase.

Trailer Lamps

Make sure your trailer lamps conform to Federal and local regulations.

Class I and Class II Trailer Tow electrical wiring provides two circuits (right hand and left hand) to operate trailer stop/turn tail lamps. Each stop/turn circuit will operate one combination stop/turn light bulb (# 1157, 3157, 2357, or 3357) on the trailer. Never add more than one trailer light bulb to one circuit.

WARNING
<p>Always replace a fuse with one that has the specified amperage rating. Using a fuse with a higher amperage rating can cause severe wire damage and could start a fire.</p>

Driving while you tow

Be especially careful when driving while you tow a trailer. Never drive faster than 45 mph (70 km/h) when you tow in hilly country on hot days. Also, anticipate stops so that you can brake gradually.

If you use the speed control while you are towing on very long, steep grades, the speed control may shut off.

When towing a trailer in hilly terrain, with a vehicle equipped with a 4R44E/5R55E transmission, you may wish to operate in O/D OFF rather than j (Overdrive). This will eliminate excessive downshifting and upshifting to maintain speed. Shift back to j (Overdrive) whenever practical for optimum powertrain cooling and fuel economy. This can be accomplished by pushing in the transmission control switch which is located on the end of the gearshift lever.

When descending a steep grade with a trailer, operate in Drive rather than Overdrive. If additional braking is needed, shift the automatic transmission gearshift into the 2 (Second) or 1 (Low) position.

Servicing Your Vehicle If You Tow

If you tow a trailer for a long distance, your vehicle will need to be serviced more frequently than usual. Refer to the *Maintenance Schedule* booklet for additional information.

Trailer towing tips

Before starting on a trip, practice turning, stopping and backing in an area away from heavy traffic. Get to know the “feel” of the vehicle/trailer combination.

Practice backing up. Back up very slowly, with someone outside at the rear of your trailer to guide you. Place your hand at the bottom of the steering wheel and move it in the direction you want the rear of the trailer to swing. Slight movement of the steering wheel results in a much larger movement of the rear of the trailer.

Allow more room for stopping with a trailer attached. Trailer brakes should be applied first, whether manually or automatically controlled, when approaching a stop.

For a good handling truck-trailer combination, the trailer tongue load should be approximately 10-15% of the loaded trailer weight.

Make a thorough check of your equipment before starting out on the road. After you have traveled about 50 miles (80 km) stop in a protected area and double-check your hitch and electrical connections. Also check trailer wheel lug nuts for tightness.

When turning, drive slightly beyond the normal turning point so the trailer wheels will clear curbs or other obstructions.

When stopped in traffic for long periods of time in hot weather, place the gearshift selector lever in P (Park) to increase the engine idle speed. This aids in engine cooling and air conditioner efficiency. If the engine overheats, rotate the function selector control knob to panel position to stop the compressor and increase the engine speed for a short time.

WARNING

Do not tow a trailer when using a temporary spare tire.
--

Vehicles with trailers should not be parked on a grade. However, if you must park on a grade, place wheel chocks under the trailer's wheels as follows:

- Apply the brake pedal and hold.
- Have another person place the wheel chocks under the trailer wheels.
- With the chocks in place, release the brake pedal, making sure the chocks are holding.
- For automatic transmissions — apply the parking brake by pressing the service brake pedal down firmly with your right foot while applying the parking brake pedal with your left foot.
- For manual transmissions — apply the service brake and shift into N (Neutral) while still maintaining pressure on the service brake pedal. Set the parking brake fully.
- Shift an automatic transmission into Park (P). Put the gearshift of a manual transmission in Reverse. If your vehicle is equipped with four-wheel drive make sure the transfer case is not in Neutral.

To start, after being parked on a grade:

- Apply the brake pedal and hold.
- Start the engine.
- Shift transmission into gear and release the parking brake.
- Release the brake pedal and move the vehicle uphill to free the wheel chocks.
- Apply the brake pedal and hold while another person retrieves the chocks.

Suspension Modifications

The suspension and steering systems on your vehicle have been designed and tested to provide both safe, predictable performance (whether loaded or empty) as well as durable load carrying capability. Any modifications to the suspension or steering systems can reduce your vehicle's performance capability and adversely affect driver and passenger safety. Ford recommends that you DO NOT make modifications such as adding or removing parts (like lift kits, stabilizer bars or snowplowing equipment) or by using replacement parts non-equivalent to the original factory equipment.

Snowplowing

WARNING
Do not use this vehicle for snowplowing.

Roadside Emergencies

Hazard Flasher

The hazard flasher is used to alert other drivers to hazardous situations.

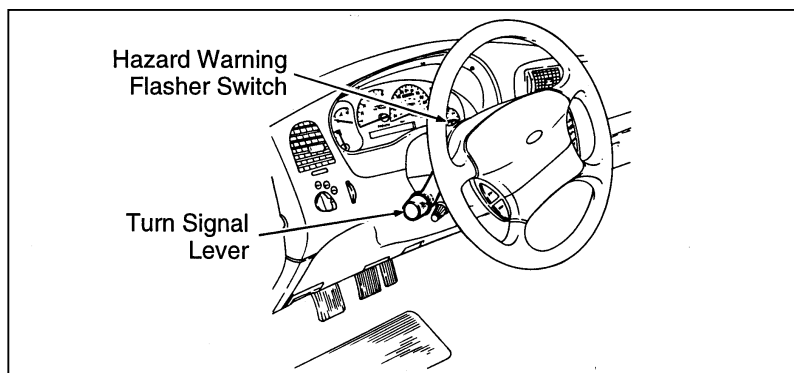
The flashers will flash and the high-mount brakelamp will stay on steadily (not flash) with the brake pedal depressed.

The flashers work whether your vehicle is running or not. The flashers work for up to two hours when the battery is fully charged and in good condition without draining the battery excessively. If the flashers run for longer than two hours or if the battery is not fully charged, the battery power can be drained.

To use the hazard flasher:

1. Push in the flasher button; it will pop out and the lamps will begin to flash.
2. To stop the flashers, push in the flasher button again.

NOTE: The flasher button will be sticking up slightly higher when on than when off.



Hazard flasher

The Fuel Pump Shut-off Switch

If the engine cranks but does not start or if you have had a collision, the fuel pump shut-off switch may have been triggered. The shut-off switch is a device that stops the fuel pump when your vehicle has been involved in a substantial jolt.

For information on how to check and reset the fuel pump shut-off switch, see *Fuel pump shut-off switch* in the Index.

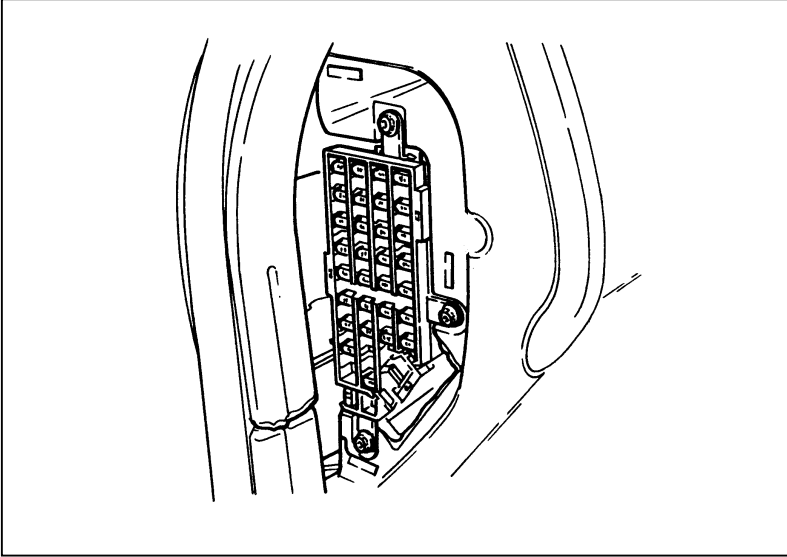
Fuses

Fuses protect your vehicle's electrical system from overloading. If electrical parts in your vehicle are not working, the system may have been overloaded and blown a fuse. Before you replace or repair any electrical parts, check the appropriate fuses.

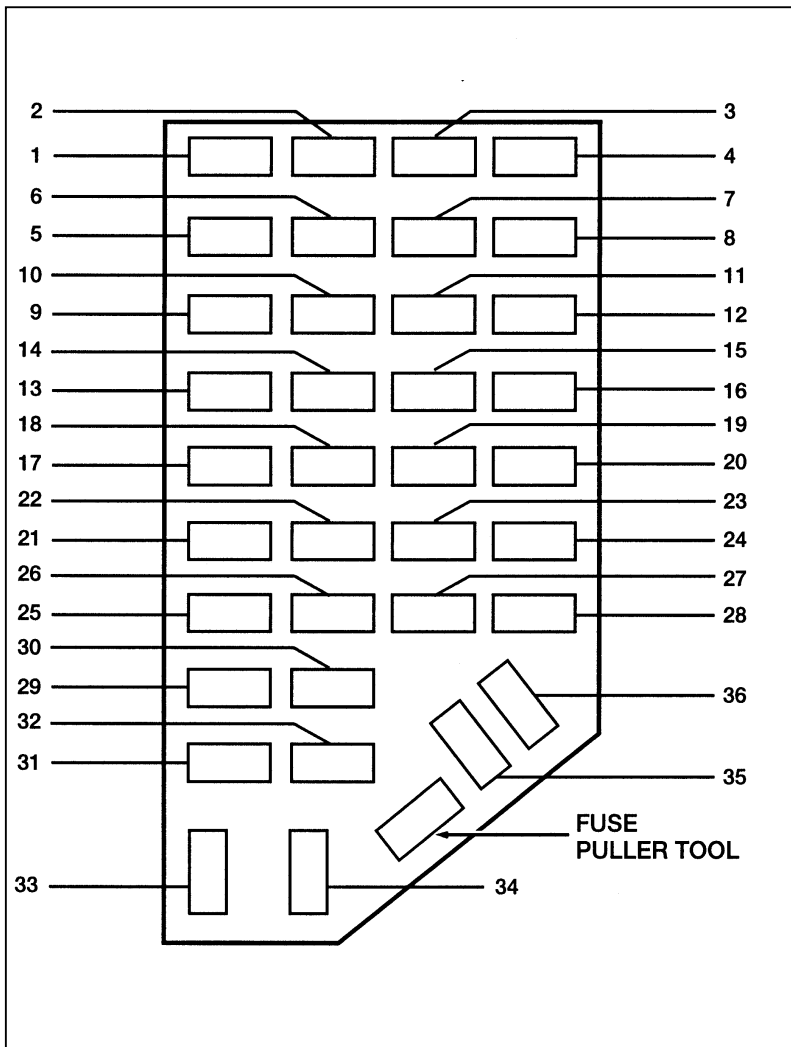
The following charts tell you which fuses protect each electrical part of your vehicle. If a fuse blows, all the parts of your vehicle that use that circuit will not work.

Once you have determined which fuses to check, follow the procedures under *Checking and replacing fuses* later in this chapter.

Roadside Emergencies



Fuse panel (located left side of instrument panel)



Fuses and their location

Roadside Emergencies

Fuse/CB/ Relay Loc.	Fuse Amp. Rating	Description
1	7.5 Amp	<ul style="list-style-type: none"> • Power mirror
2	–	<ul style="list-style-type: none"> • Open
3	15 Amp	<ul style="list-style-type: none"> • Parking lamps
4	10 Amp	<ul style="list-style-type: none"> • Left headlamp
5	10 Amp	<ul style="list-style-type: none"> • OBD II system
6	7.5 Amp	<ul style="list-style-type: none"> • Air bag system • Blower relay • Passive deactivation (PAD) module
7	7.5 Amp	<ul style="list-style-type: none"> • Illum. switches
8	10 Amp	<ul style="list-style-type: none"> • Right headlamp • Fog lamp system • DRL module
9	10 Amp	<ul style="list-style-type: none"> • Anti-lock system
10	7.5 Amp	<ul style="list-style-type: none"> • Speed control • GEM system • Brake interlock • A/C system
11	7.5 Amp	<ul style="list-style-type: none"> • Warning lamps • Instrument cluster gauges
12	10 Amp	<ul style="list-style-type: none"> • Front wash system • Power windows
13	15 Amp	<ul style="list-style-type: none"> • PCM system • Stop lamps • 4 wheel drive • Anti-lock brake • Speed control
14	10/20 Amp	<ul style="list-style-type: none"> • Anti-lock system
15	7.5 Amp	<ul style="list-style-type: none"> • Air bag system • Alternator
16	30 Amp	<ul style="list-style-type: none"> • Front wiper
17	25 Amp	<ul style="list-style-type: none"> • Cigar lighter
18	15 Amp	<ul style="list-style-type: none"> • A/C system
19	25 Amp	<ul style="list-style-type: none"> • Ignition coil • PCM system

Fuse/CB/ Relay Loc.	Fuse Amp. Rating	Description
20	7.5 Amp	<ul style="list-style-type: none"> • Radio • GEM system • Anti-theft
21	15 Amp	<ul style="list-style-type: none"> • Hazard lamps
22	10 Amp	<ul style="list-style-type: none"> • Turn signals
23	–	NOT USED
24	10 Amp	<ul style="list-style-type: none"> • Starter relay • Anti-theft
25	7.5 Amp	<ul style="list-style-type: none"> • Speedometer • GEM system
26	10 Amp	<ul style="list-style-type: none"> • 4R44E/5R55E overdrive • Backup lamps • DRL system
27	10 Amp	<ul style="list-style-type: none"> • Map lights • Glove box lamp (if equipped) • Dome lamp • Visor lamps • 4x4 system
28	7.5 Amp	<ul style="list-style-type: none"> • GEM system
29	10 Amp	<ul style="list-style-type: none"> • Audio system
30	–	NOT USED
31	–	NOT USED
32	–	NOT USED
33	15 Amp	<ul style="list-style-type: none"> • High beam lamps, DRL system, instrument cluster
34	–	NOT USED
35	–	Open
36	–	Open

Roadside Emergencies

Power distribution box

The high current fuses contained in the Power Distribution Box protect your vehicle's main electrical systems from overloads; these fuses provide the connection between the battery and your vehicle's electrical systems.

The high current fuses are coded as follows: 30 amp — light green, 40 amp — orange, 50 amp — red, 60 amp — blue.

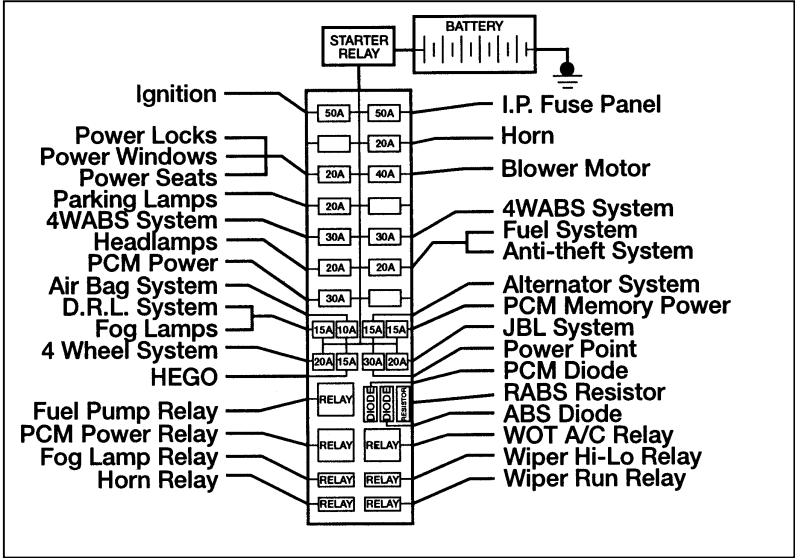
WARNING
Always disconnect the battery before servicing high current fuses.

Ford recommends that high current fuses be replaced by a qualified technician.

WARNING
Always replace the cover to the Power Distribution Box before reconnecting the battery or refilling fluid reservoirs.

A blown high current fuse may be replaced but will continue to blow until the cause of the overload condition is corrected.

WARNING
Always replace a fuse with one that has the specified amperage rating. Using a fuse with a higher amperage rating can cause severe wire damage and could start a fire.



Power distribution box

Checking and Replacing Fuses

If you need to check a fuse, follow these steps:

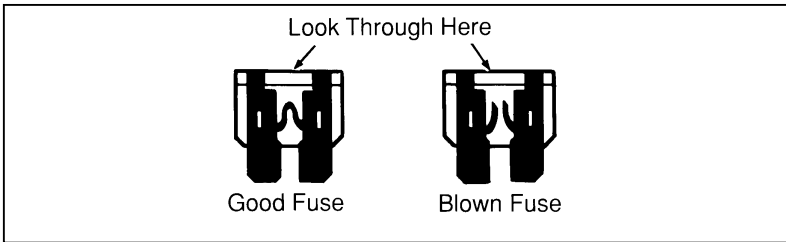
1. Find the fuse panel, which is located in the left end of the instrument panel. The power distribution box (described earlier in this section) is found in the engine compartment, mounted on a bracket attached to the left fender apron.

To access the fuse panel, remove the fuse panel cover by inserting your finger in the divot and pulling on the cover. The underside of the cover contains four spare fuses. A fuse pulling tool is located in the lower right corner of the fuse panel in case you need to replace a blown fuse.

The spare fuses for your vehicle are color coded as follows:
 10 amp — red, 15 amp — light blue, 20 amp — natural, 30 amp — light green.

Roadside Emergencies

2. On the fuse panel cover, find the number of the fuse you want to check. The diagram on the cover tells you where to locate the fuse on the panel.
3. Check the fuse to see if it is blown. Look through the clear side of the fuse to see if the metal wire inside is separated. If it is, the fuse is blown and should be replaced.



The side view of a fuse

4. Replace the fuse with one that has the right amperage rating (see previous chart).

WARNING

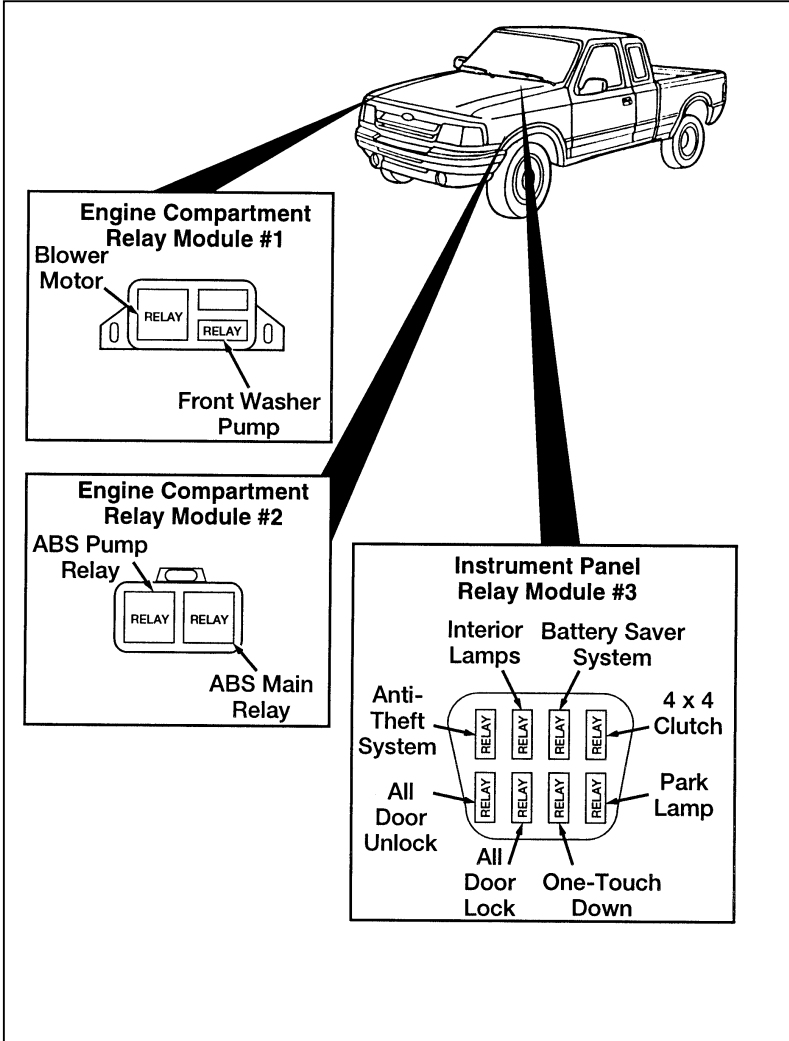
Always replace a fuse with one that has the specified amperage rating. Using a fuse with a higher amperage rating can cause severe wire damage and could start a fire.

5. Put the fuse panel cover back on.

Even after you replace a fuse, it may continue to blow if you do not find what caused the overload. If the fuse continues to blow, have your electrical system checked.

Relays

Relays are devices which receive signals from components or systems. After receiving signals, relays transfer these signals to activate or deactivate other components or systems.



Relays and their locations on high-content vehicles

Roadside Emergencies

NOTE: Vehicles that are not equipped with the power group, 4WABS (4-Wheel Anti-lock Brakes System), or four wheel drive have alternate locations for some relays. The 4x4 shift relay module is located below the GEM (Generic Electronic Module). The power window relay or interior lamps relay is below the glove box. The driver's door unlock relay or battery saver relay is above the RABS (Rear Anti-lock Brakes System) module.

Changing a Tire

If you get a flat tire while you are driving, do not apply the brake heavily. Instead, gradually decrease the speed. Hold the steering wheel firmly and slowly move to a safe place on the side of the road. Park on a level spot, turn off the ignition, set the parking brake, and turn on the hazard flashers.

The Conventional Spare Tire

If you have the conventional spare tire, you can use it as a spare or as a regular tire. This spare tire is identical to the other tires that come with your vehicle, although the wheel may not match.

WARNING
To avoid injury, never run the engine with one wheel off the ground, such as when changing a tire.

The Temporary Spare Tire

You may have a high pressure temporary spare tire. This spare tire is smaller than a regular tire and is designed for emergency use only. Use it only when you get a flat tire and replace it as soon as you can. This spare tire is marked with the words "TEMPORARY USE ONLY" so that you can easily identify it.

It is not recommended that the vehicle be operated in the 4WD modes with a temporary spare. If 4WD operation is necessary, do not operate at speeds above 10 mph (16 km/h) or for distances above 50 miles (80 km). Extended operation in 4WD with a temporary spare may result in damage to powertrain components.

WARNING

If you use the temporary spare tire continuously or do not follow these precautions, the tire could fail, causing you to lose control of the vehicle, possibly injuring yourself or others.
--

WARNING

To avoid injury, never run the engine with one wheel off the ground, such as when changing a tire.

Extended use of other than matching size spare tires on a Traction-Lok axle could result in a permanent reduction in effectiveness. This loss of effectiveness does not affect normal driving and should not be noticeable to the driver.

When you drive with the temporary spare tire, DO NOT:

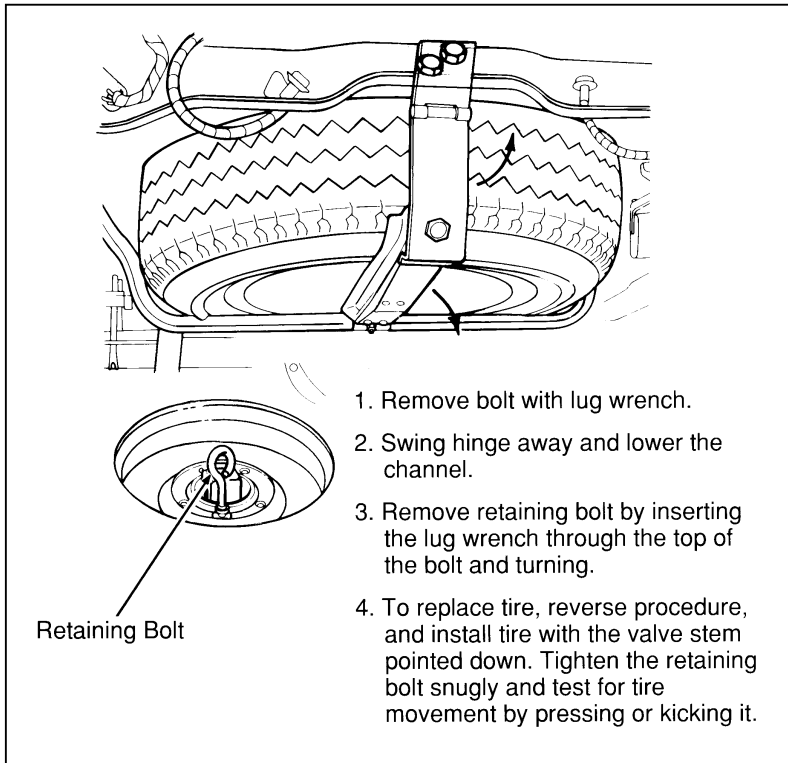
- exceed 50 mph (80 km/h) under any circumstances.
- load your vehicle so that it is heavier than the maximum vehicle load rating listed on the tire decal.
- tow a trailer.
- use tire chains on this tire.
- try to repair the temporary spare tire or remove it from its wheel.
- use the wheel for any other type of vehicle.
- engage four-wheel drive on dry, hard-surfaced roads.

Roadside Emergencies

- drive through an automatic car wash with this tire. Because the temporary spare tire is smaller than a conventional tire, it reduces the ground clearance. Your vehicle may get caught in the rails and it could be damaged.

Spare Tire Location

The spare tire for your vehicle is stowed at the rear under the frame.



Spare tire stowage

To remove the spare tire:

1. Use the hex portion of the lug nut wrench to remove the bolt that fastens the hinge to the channel.
2. Swing the hinge away and lower the channel.
3. Unscrew the retaining bolt using the tapered end of the lug nut wrench through the eye of the bolt.
4. Slide the spare tire out.

To stow spare tire:

1. Position spare tire, valve stem down, so it is balanced on the support.
2. Replace and tighten retaining bolt using the tapered end of the lug nut wrench through the eye of the bolt.
3. Raise channel to hinge and line up the bolt hole.
4. Install bolt and tighten with the wrench.

WARNING

Make sure the spare tire and jacking equipment are stowed and secured in the proper storage location.
--

Preparing to Change the Tire

NOTE: To lift your vehicle by other than the front or rear jacking points, be sure to use only hoist adapters with a wide contact surface.

1. Make sure that your vehicle will not move or roll. If you have an automatic transmission, put the gearshift in Park. If you have a manual transmission, put the gearshift in Reverse. Set the parking brake and block the wheel that is diagonally opposite the tire that you are changing.

NOTE: Make sure the ignition is in the OFF position.

Roadside Emergencies

If you have a four-wheel drive vehicles with manual locking hubs, put transfer case lever in 2H, 4H, or 4L.

When one of the back wheels is off the ground, the transmission alone will not prevent the vehicle from moving or slipping off the jack, even if the vehicle is in P (Park) or 1 (First). To prevent the vehicle from moving when you change a tire, be sure the parking brake is set, then block the wheel (both directions) that is diagonally opposite (other side and end of the vehicle) to the tire that is being changed.

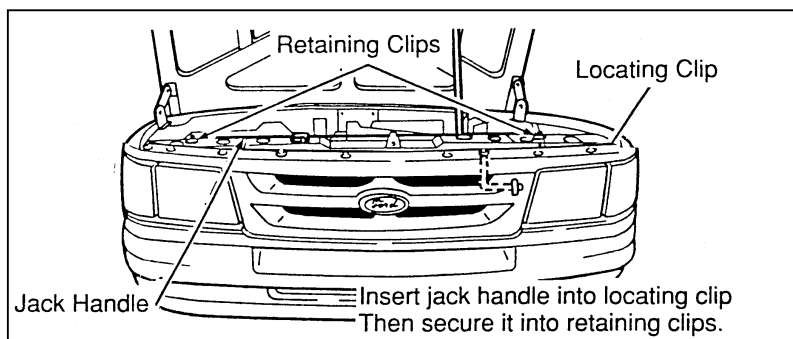
WARNING

If the vehicle slips off the jack, you or someone else could be seriously injured.

WARNING

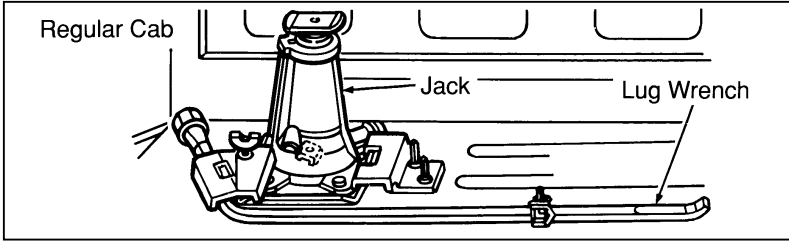
Do not leave the vehicle unattended with the transfer case in the N (Neutral) position. Always set the parking brake fully and turn off the ignition when leaving the vehicle.

2. Get out the spare tire and jack.

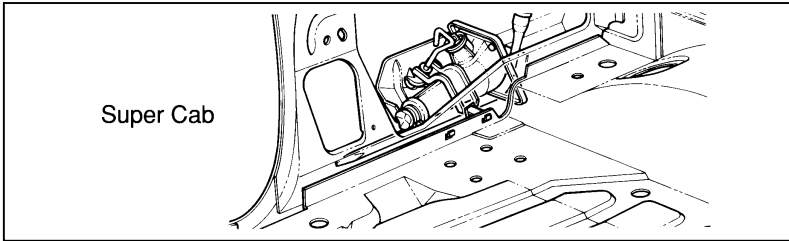


Jack handle location and installation

The jack and lug nut wrench are stowed behind the passenger's seat. The jack handle is stowed under the hood on the radiator support.



Jack storage



Jack storage

3. Insert the tapered end of the lug nut wrench behind wheel covers or hubcaps and twist off.

WARNING
<p>Use only the lug nut wrench provided to remove wheel ornaments. Not using the tapered end of the lug nut wrench at the pry-off notches may result in damage to the finish of the wheel and ornament.</p>

Roadside Emergencies

WARNING

Use only the lug nut wrench provided to remove wheel ornaments. Not using the tapered end of the lug nut wrench at the pry-off notches may result in damage to the finish of the wheel and ornament.

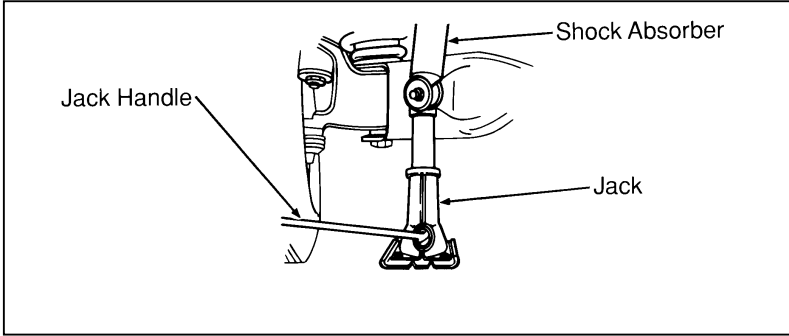
4. Loosen the wheel nuts by pulling up on the handle of the lug nut wrench about one-half turn (counterclockwise). Do not remove the wheel lug nuts until you raise the tire off the ground.
5. Insert the jack handle into the jack and use the handle to slide the jack under the vehicle.

WARNING

To avoid injury, never run the engine with one wheel off the ground, such as when changing a tire.

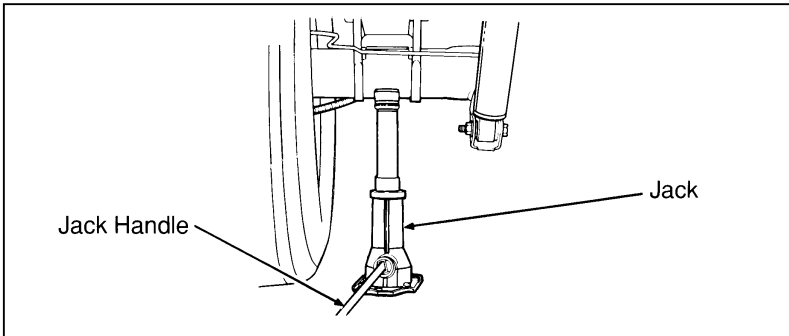
Removing and Replacing the Tire

1. Positioning the jack
 - a. To raise a front wheel, place the jack directly under the shock absorber so that it contacts the bottom of the shock.
 - b. To raise a rear tire, place the jack under the rear axle between the spring shackle bolts.



Front axle jacking point

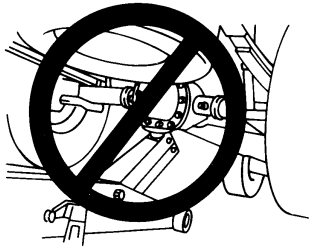
- c. Turn the jack handle clockwise until the wheel is a maximum of one inch off the ground.



Rear axle jacking point

NOTE: Do not use the differential housing as a lift point.

Roadside Emergencies



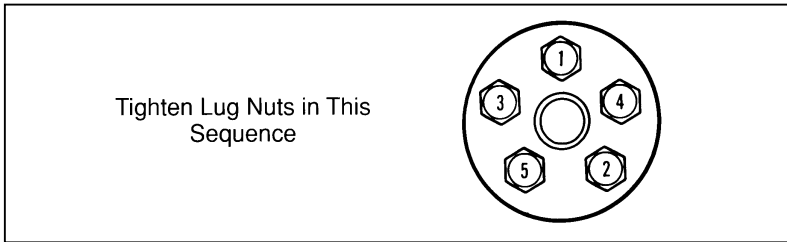
NEVER USE THE DIFFERENTIAL HOUSING AS A LIFT POINT.

WARNING

To lessen the risk of personal injury, do not put any part of your body under the vehicle while changing a tire. Do not start the engine when your vehicle is on the jack. The jack is only meant for changing the tire.

2. Remove the lug nuts with the lug nut wrench.
3. Replace the flat tire with the spare tire.
4. Thread the lug nuts on the wheel studs with the beveled face toward the wheel. Use the lug nut wrench to screw the lug nut snug against the wheel but do not tighten.
5. Lower the vehicle by turning the jack handle counterclockwise.

-
6. Remove the jack and fully tighten the lug nuts in the order shown in the following illustration.



Lug nut tightening sequence

WARNING

Never use wheels or lug nuts different than the original equipment as this could damage the wheel or mounting system. This damage could allow the wheels to come off while the vehicle is being driven.

7. Replace any wheel covers, ornaments, or hub caps that your vehicle has. Make sure that they are screwed or snapped into place.
8. Put the tire, jack, and wrench away. (Make sure jack is securely fastened so it does not rattle when you drive.)
9. Unblock the wheels.

NOTE: If your vehicle is equipped with P265 75R15 AT tires or P235 75R15 AT tires do not stow a flat or inflated full size tire in the spare tire carrier. The carrier is designed to hold the temporary spare which comes with your vehicle. The stowage of a full size tire in the spare tire carrier may damage the tire or the vehicle. The flat full size tire should be stowed and tied down in the pickup box bed until it can be repaired.

Roadside Emergencies

Retighten the wheel lug nuts to the specified torque at 500 miles (800 km) of new vehicle operation and at intervals specified in the *Maintenance Schedule* booklet.

Also retighten to the specified torque at 500 miles (800 km) of operation after any wheel change or any time the lug nuts are loosened.

WARNING
Failure to retighten wheel lug nuts at mileages specified could allow wheels to come off while the vehicle is in motion.

Model	Bolt Size	Wheel Lug Nut Torque*	
		Ft-Lb	N•m
Ranger	1/2-20	100	135
* Torque specification is for nut and bolt threads free of dirt and rust. Do not use oil or grease on threads. Use only Ford recommended replacement fasteners.			

Jump-Starting Your Vehicle

Your vehicle's battery may die if you leave the lights on or any electrical equipment on after you turn the engine off. If this happens, you may be able to jump-start your vehicle with a booster battery.

WARNING
The gases around the battery can explode if exposed to flames, sparks, or lit cigarettes. An explosion could result in injury or vehicle damage.

WARNING

To protect yourself when charging a battery, always shield your face and eyes. Make sure that you can breathe fresh air.

WARNING

Applying too much pressure on the ends when lifting a battery could cause acid to spill. Lift the battery with a carrier or with your hands on the opposite corners.

WARNING

Batteries contain sulfuric acid which burns skin, eyes, and clothing.
--

If the acid touches someone's skin, eyes, or clothing, immediately flush the area with water for at least 15 minutes. If someone swallows the acid, have him or her drink lots of milk or water first, then Milk of Magnesia, a beaten egg, or vegetable oil. Call a doctor immediately.

WARNING

Do not push-start your vehicle. You could damage the catalytic converter. For further information, see <i>Jumper Cables</i> in the Index.
--

WARNING

To avoid damage or injury, follow these directions in the order they are given. If in doubt, call for road service.
--

Roadside Emergencies

Preparing Your Vehicle

1. Your vehicle has a 12-volt starting system, so you need to use a 12-volt jumper system. You will damage your starting motor, ignition system, and other electrical parts if you connect them to a 24-volt power supply (either two 12-volt batteries in series or a 24-volt generator set).
2. Do not disconnect the battery of the disabled vehicle. You could damage the vehicle's electrical system.
3. Park the booster vehicle close to the hood of the disabled vehicle. **Make sure the vehicles do not touch each other.** Set the parking brake on both vehicles and stay clear of the engine cooling fan and other moving parts.
4. Check all battery terminals and remove any excessive corrosion before you attach the jumper cables.
5. Turn on the heater fan in both vehicles. Turning on the fan helps protect the electrical system from voltage surges. Turn off all other switches and lights in both vehicles to prevent possible damage to either vehicle's electrical systems.

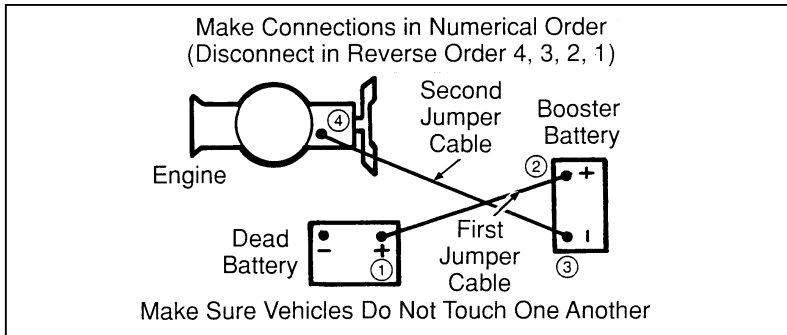
Connecting the jumper cables

1. Connect one end of the first jumper cable to the positive (+) terminal of the discharged battery. (You can connect either jumper cable to the positive (+) terminal, as long as you use the same cable for both positive terminals.) Most jumper cables have a red cable and a black cable. The red cable is generally used for the positive terminals and the black for the negative ones.
2. Connect the other end of the first cable to the positive (+) terminal of the booster battery.
3. Connect one end of the second cable to the negative (-) terminal of the booster battery — NOT to the discharged battery.

-
4. Connect the other end of that cable to a good metallic surface on the engine or frame of the disabled vehicle. The following illustration shows where you can find a metallic surface.

WARNING

Do not connect the end of the second cable to the negative (-) terminal of the battery to be jumped. A spark may cause an explosion of the gases that surround the battery.



Attaching jumper cables

Jump-Starting

1. Make sure that the jumper cables are not in the way of moving engine parts, then start the booster vehicle. Run the engine at a moderate speed.
2. Let the discharged battery charge for a few minutes and then start the disabled vehicle. It may take a couple of tries before the vehicle starts. If the vehicle does not start after several attempts, there may be a different problem.

Roadside Emergencies

3. When both vehicles are running, let them idle for a few minutes to charge the discharged battery.

Removing jumper cables

1. **Always remove the jumper cables in the reverse order.** Remove the negative (-) end of the jumper cable from the metallic surface on the engine or frame of the disabled vehicle.
2. Remove the negative (-) cable from the booster battery.
3. Remove the positive (+) cable from the booster battery.
4. Remove the other end of the positive (+) cable from the discharged battery.

After the vehicle is started, let it idle for a while to let the engine “relearn” its idle conditions. Drive it around for a while with all electrical accessories turned off to let the battery recharge. Driveability may be deteriorated slightly until all drive modes are “relearned.” **You may need to use a battery charger to fully recharge the battery.**

If you need to replace your battery, see *Battery* in the *Maintenance and Care* chapter.

Towing Your Vehicle

If you need to have your vehicle towed, contact a professional towing service or, if you are a member, your roadside assistance center.

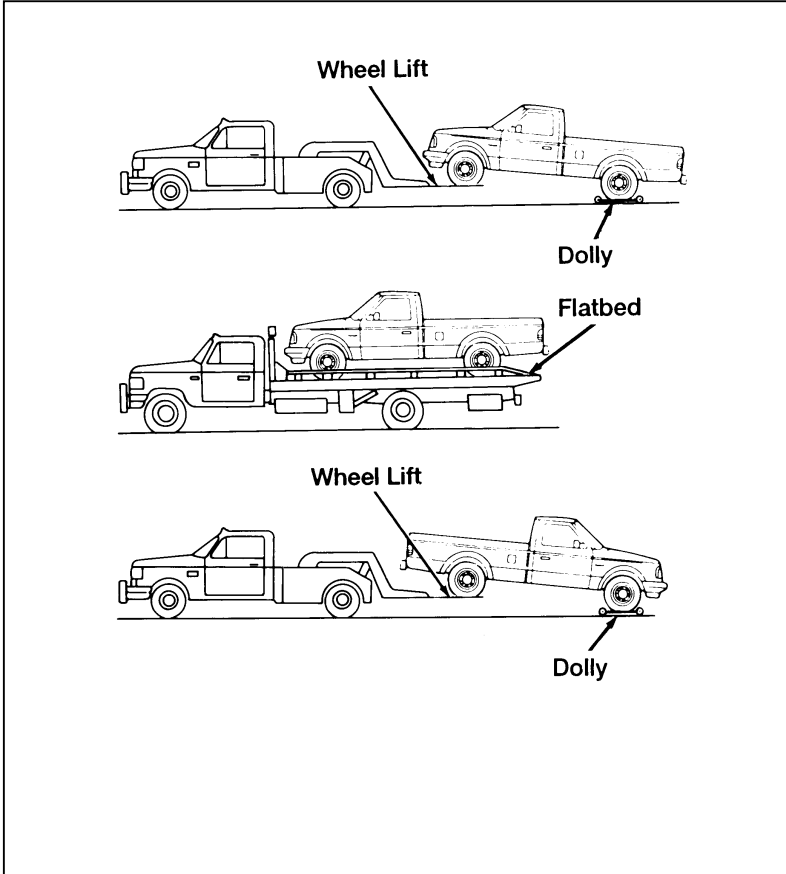
Ranger 4x2/4x4

The recommended method to tow your Ranger is with flatbed or wheel lift equipment. However, slingbelt towing is acceptable.

Ranger without rear bumper

The recommended method to tow your Ranger is with flatbed or wheel lift equipment. However, slingbelt towing is acceptable. Be sure to remove the undervehicle spare tire before attaching slingbelt towing equipment.

Roadside Emergencies



When calling for a tow truck, tell the operator what kind of vehicle you have. A towing manual is available from Ford Motor Company for all authorized tow truck operators. Have your tow truck driver refer to this manual for the proper hook-up and towing procedures for your vehicle.

Recreational Towing — All wheels on the ground

Towing your vehicle can be successfully performed by following the appropriate guidelines for the type of powertrain on the vehicle to be towed. The following guidelines, by powertrain combination, are designed to ensure that the transmission is not damaged due to insufficient lubrication.

4 x 2 — Automatic transmission

- Release the parking brake.
- Place transmission gearshift in N (Neutral).
- Maximum speed is 35 mph (56 km/h).
- Maximum distance is 50 miles (80 km).

If a distance of 50 miles (80 km) or speed of 35 mph (56 km/h) will be exceeded, you **must**:

- Disconnect the driveshaft at the rear differential and properly support it under the vehicle.
- Mark the driveshaft and axle flanges to ensure proper position when reconnecting the driveshaft. Refer to service manual for proper driveshaft fastener torque specification. (See the *Accessories* chapter for information on ordering service manuals.)

WARNING

When disconnecting/installing the driveshaft, the parking brake must be set and the wheels blocked to ensure the vehicle does not roll.
--

- Maximum speed is 55 mph (88 km/h), unlimited distance.

Roadside Emergencies

4 x 2 — Manual transmission

- Release the parking brake.
- Place the transmission gearshift in the neutral position.
- Maximum speed is limited by towing equipment manufacturer's recommendation, unlimited distance.

4 x 4 — Manual shift transfer case

- Release the parking brake.
- Place the transmission gearshift in the neutral position.
- Place the transfer case gearshift in the neutral position.
- Set the manual locking hubs in the FREE position.
- Maximum speed is 55 mph (88 km/h), unlimited distance.

4 x 4 Electric shift transfer case

- Release the parking brake.
- Place the transmission gearshift in the neutral position.
- Ensure the transfer case is in 2H and the auto hubs are unlocked.

NOTE: Both the 4WD and 4WD Low indicator lights in the instrument panel will be off when the 4WD switch is in 2WD.

For automatic transmissions:

- Maximum speed is 35 mph (56 km/h).
- Maximum distance is 50 miles (80 km).

If a distance of 50 miles (80 km) or speed of 35 mph (56 km/h) will be exceeded, you **must**:

- Remove the rear driveshaft.
- Mark the driveshaft and transfer case/axle flanges to ensure proper position when installing the driveshaft. Refer to service manual for proper driveshaft torque specification.

WARNING

When disconnecting/installing the driveshaft, the parking brake must be set and the wheels blocked to ensure the vehicle does not roll.
--

- Maximum speed is 55 mph (88 km/h), unlimited distance.

For manual transmissions:

- Maximum speed is 55 mph (88 km/h), unlimited distance.

Limited vehicle operation, such as driving the vehicle while at a campsite, can be accomplished with the rear driveshaft **removed** by using the front drive to propel the vehicle. To operate the vehicle in this condition, you **must** follow the following guidelines:

- Place the transfer case in 4WD by rotating 4WD switch to 4WD HIGH.
- Drive the vehicle **only** on good surface roads to avoid excessive loads on the front-wheel drive system.
- Maximum speed is 35 mph (56 km/h).
- Maximum distance is 50 miles (80 km).
- Avoid quick acceleration and steep grades.

Roadside Emergencies

To return the vehicle to a towable condition, you **must**:

- Place the transfer case in 2WD by rotating the 4WD switch to 2WD.

NOTE: Both the 4WD and 4WD Low indicator lights in the instrument cluster will be off when the transfer case is in 2WD.

- After 2WD is selected, the front hubs must be “unlocked” by moving the vehicle in reverse direction for a minimum of ten feet.
- Confirm the front hubs are unlocked by inspecting the front drive shaft to verify it does not turn when the vehicle is towed.

In addition to the above guidelines, it is recommended that you follow the instructions provided by the manufacturer of the towing apparatus.

Maintenance and Care

Service Made Easy

Ford has two goals for servicing your vehicle.

1. When we can, we design parts that do not need to be serviced.
2. We want to make servicing your vehicle as easy as possible. To help you:
 - We highlight do-it-yourself items in yellow in the engine compartment so that you can find them easily.
 - When possible, we design parts that can be replaced without tools.
 - We give you a Maintenance Schedule that makes tracking routine service for your vehicle easy. The maintenance schedule is located in the *Maintenance Schedule* booklet.

This chapter tells you about the basic parts that you need to check and service regularly.

If your vehicle needs professional servicing, your dealership can provide the parts and service required. Check your *Warranty Information Booklet* to find out which parts and services are covered. Also see the *Customer Assistance* chapter of this Owner Guide.

Ford Motor Company recommends that the Owner Maintenance Checks listed in the *Maintenance Schedule* booklet be performed for the proper operation of your vehicle. In addition to the conditions listed in the *Owner Maintenance Checklist*, be alert for any unusual noise, vibration, or other indication that your vehicle may need service. If you do notice something unusual, see that your vehicle is serviced promptly.

NOTE: Always dispose of used automotive fluids in a responsible manner. Follow your community's standards for disposing of these types of fluids. Call your local recycling center to find out about recycling automotive fluids.

Precautions When Servicing Your Vehicle

Be especially careful when inspecting or servicing your vehicle. Here are some general precautions for your safety:

- If you must work with the engine running, avoid wearing loose clothing or jewelry that could get caught in moving parts. Take appropriate precautions with long hair.
- Do not work on a vehicle in an enclosed space with the engine running, unless you are sure you have enough ventilation.
- Never get under a vehicle while it is supported only by a jack. If you must work under a vehicle, use safety stands.
- Keep all lit cigarettes and other smoking materials away from the battery and all fuel-related parts.

If you disconnect the battery, the engine must “relearn” its idle conditions before your vehicle will drive properly. To find out how the engine does this, see *Battery* in this chapter.

Working with the engine off:

1. Set the parking brake fully and make sure that the gearshift is securely latched in P (Park).
2. Remove the key from the ignition after you turn the engine off.
3. Block the wheels. This will prevent your vehicle from moving unexpectedly.

Maintenance and Care

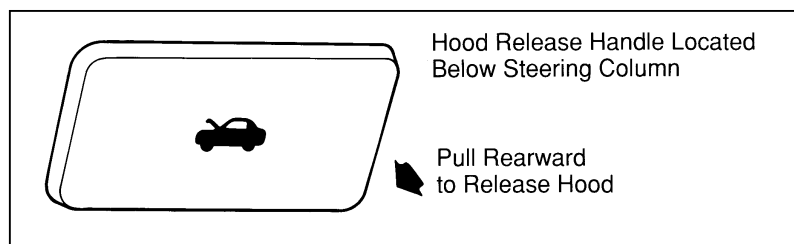
Working with the engine on:

1. Set the parking brake fully, and make sure the gearshift is securely latched in P (Park) (automatic transmission) or Neutral (manual transmission) and block the wheels.
2. Block the wheels. This will prevent your vehicle from moving unexpectedly.

WARNING
Do not start your engine with the air cleaner removed and do not remove it while the engine is running.

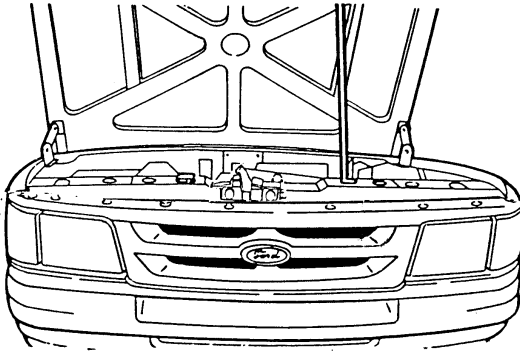
Opening the Hood

1. Pull the hood release handle, located below the steering column.



Hood release handle

2. While applying upward pressure on the hood, lift the hood latch handle located in the opening between the hood and upper portion of the grille near the center, to your left, as you face the front of the vehicle.
3. Disconnect the hood support from the retaining clip on the radiator support and place it into the slot marked PROP in the underside of the hood.



While applying upward pressure on the hood, lift the auxiliary latch release handle and raise the hood. Insert support rod in hood prop hole. To close, raise hood slightly and remove support rod from the prop hole. Slam hood shut. After closing, always make sure your hood is latched securely by trying to lift it.

Hood and support

NOTE: Read and understand *Precautions When Servicing Your Vehicle* at the beginning of this chapter before opening the hood.

To close the hood, raise it so that the support rod comes away from the slotted hole in the hood. Place the support rod in its retaining clip and close the hood with enough force to make it latch. Be sure to oil the hood latch every six months to maintain smooth operation.

Always attempt to lift the hood after closing to be sure it is securely latched.

Maintenance and Care

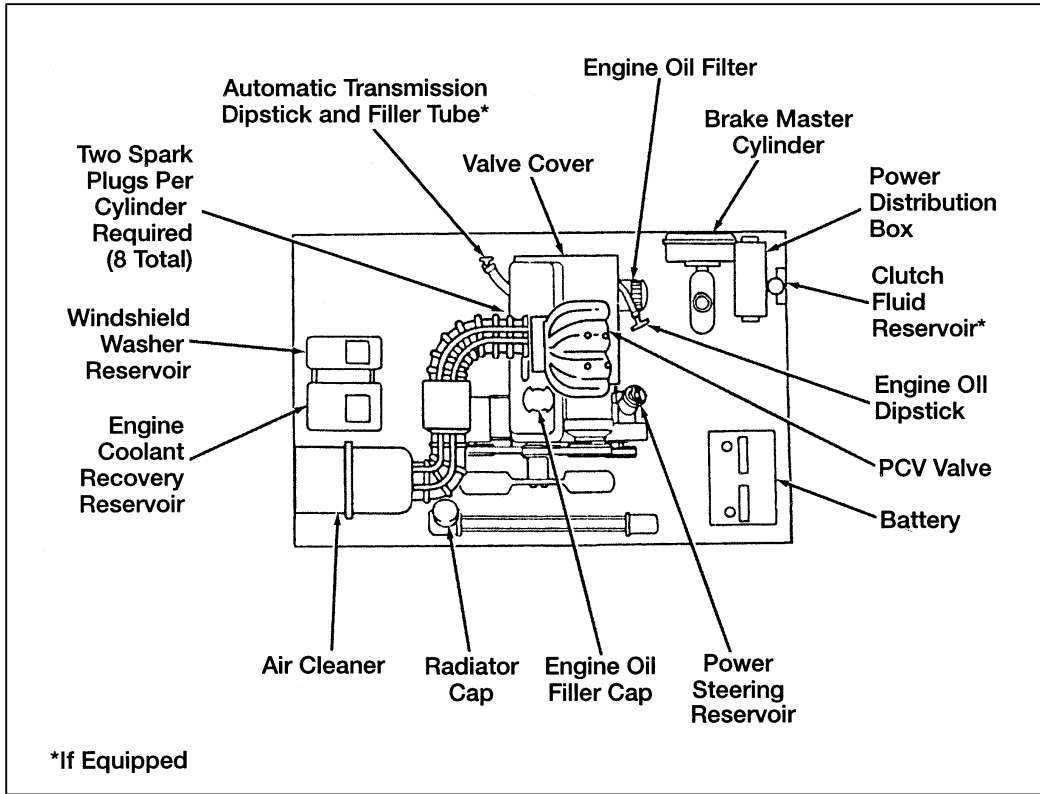
Engine Compartment

Your vehicle has one of the following types of engines:

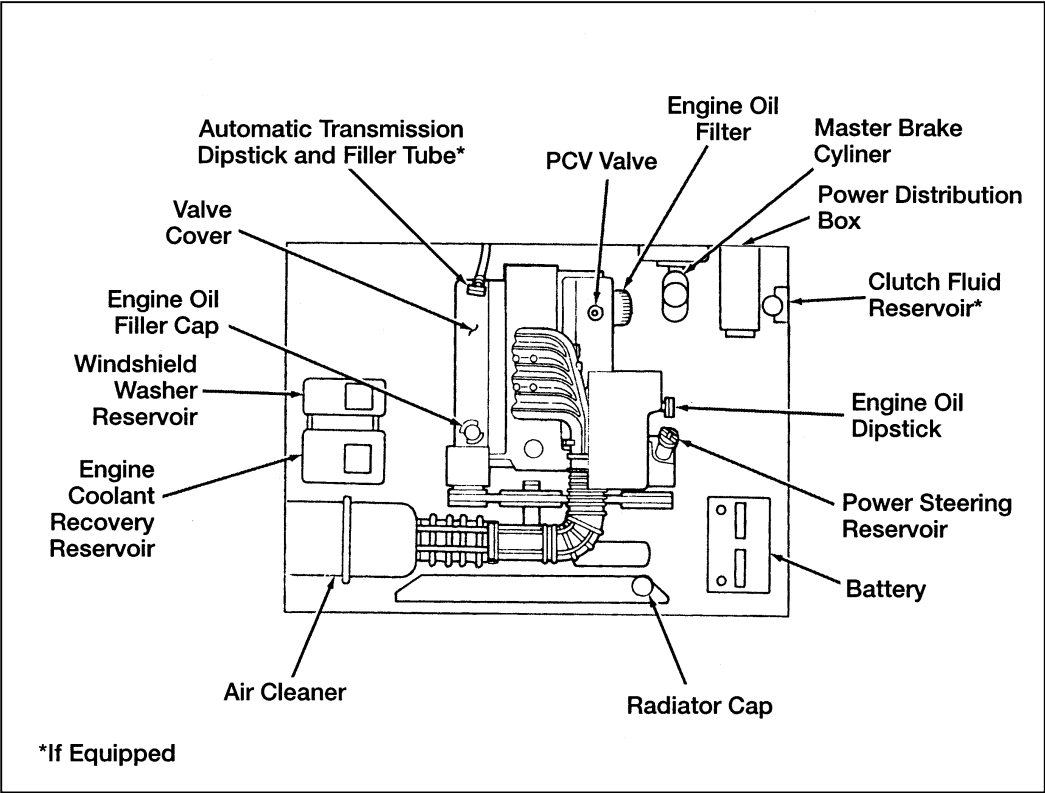
- A 2.3 Liter EFI, I-4 twin plug engine, or
- A 3.0 Liter SEFI, V-6 engine or
- A 4.0 Liter SEFI, V-6 engine.

The following pages show diagrams of each engine type and where to find items that you should regularly service.

2.3L engine compartment service points

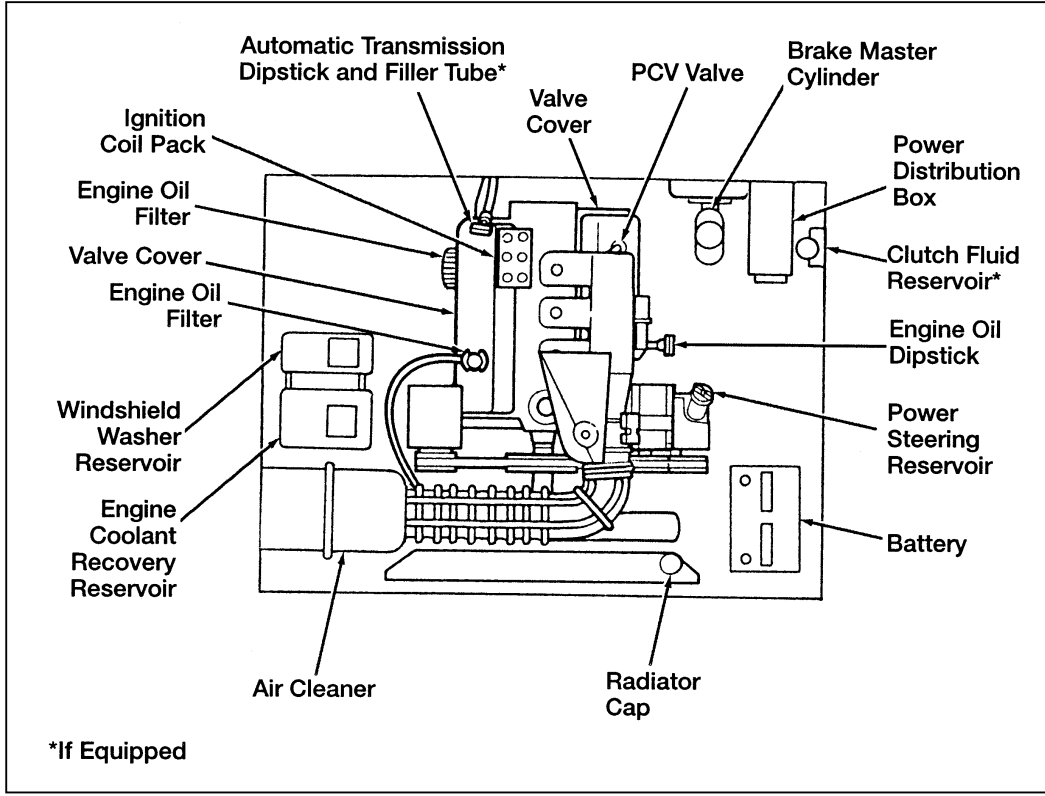


Maintenance and Care



3.0L engine compartment service points

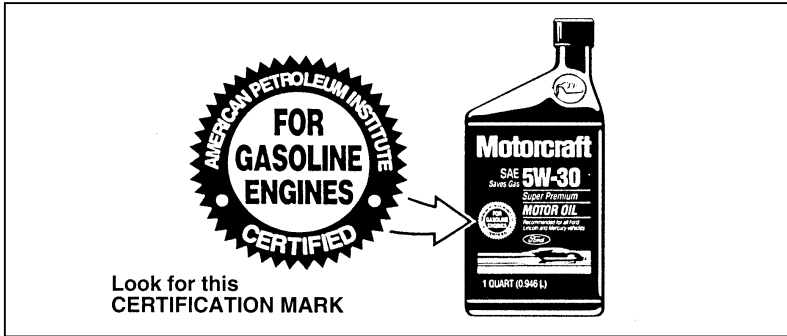
4.0L engine compartment service points



Maintenance and Care

Engine Oil Recommendations

We recommend using Motorcraft oil or an equivalent oil meeting Ford Specification WSS-M2C153-F and displaying the American Petroleum Institute CERTIFICATION MARK on the front of the container.



The API Certification Mark

Never use:

- “Non-Detergent” oils
- Oils labeled API SA, SB, SC, SD, SE, SF or SG
- Additional engine oil additives, oil treatments or engine treatments

Engine oils with an **SAE 5W-30** viscosity are **PREFERRED** for your vehicle. They provide the best engine performance, fuel economy and engine protection for all climates down to -15°F (-25°C).

Synthetic engine oils which are **CERTIFIED** and of the preferred viscosity may be used in your engine. The engine oil and oil filter must still be changed according to the maintenance schedule.

NOTE: Ford production and aftermarket (Motorcraft) oil filters are designed for added engine protection and long life. If a replacement oil filter is used that does not meet Ford material and design specifications, startup engine noises or knock may be experienced. It is recommended you use the appropriate Motorcraft oil filter (or another brand meeting Ford specifications) for your engine application.

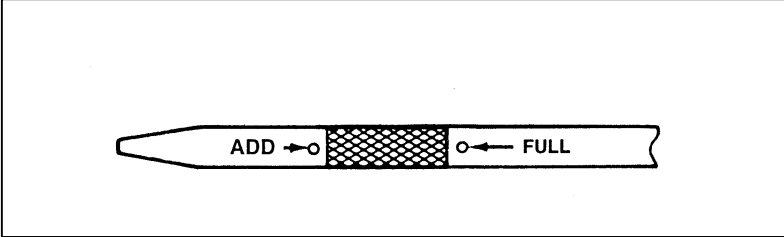
Checking and Adding Engine Oil

Since the proper amount of engine oil is important for safe engine operation, check the oil using the dipstick each time you put fuel in your vehicle. Remember the engine must be off, the oil must be warm and the vehicle must be parked on level ground.

Checking the engine oil level:

1. Turn the engine off after it has warmed up and allow a few minutes for the engine oil to drain back into the oil pan.
2. Set the parking brake, making sure the gearshift is securely latched in P (Park) or 1 (manual transmission).
3. Open the hood. Protect yourself from engine heat.
4. Locate the engine oil dipstick (highlighted in yellow) and carefully pull it out of the engine.
5. Wipe the dipstick clean and put it back into position, making sure it is fully seated.

Maintenance and Care



Engine oil dipstick

6. Carefully, pull the dipstick out again. If the oil level is below the “ADD” line, add engine oil as necessary. If the oil level is beyond the letter “F” in Full, engine damage or high oil consumption may occur and some oil must be removed from the engine.
7. Put the dipstick back in and make sure it is fully seated.

It may be necessary to add some oil between oil changes. Make sure you use a CERTIFIED engine oil of the preferred viscosity. Your vehicle’s warranty coverage may not apply if engine damage is caused by the use of improper engine oil.

Add engine oil through the oil filler cap highlighted in yellow. To add oil, remove the filler cap and use a funnel to pour oil into the opening. Be careful not to overfill the engine. Recheck the oil level after you finish adding oil.

Changing the Engine Oil and the Oil Filter

Change the engine oil and oil filter per the following, whichever occurs first:

5,000 MILES (8,000 KM) OR 6 MONTHS
NORMAL SCHEDULE

3,000 MILES (5,000 KM) OR 3 MONTHS
SPECIAL CONDITIONS
SEVERE DUTY SCHEDULE

EXTENSIVE IDLING
TRAILER TOWING
DRIVING IN SEVERE DUST
POLICE, TAXI, OR DELIVERY

Refer to the *Maintenance Schedule* booklet for additional information.

NOTE: See *Refill Capacities, Motorcraft Parts and Lubrication Specifications* in the *Capacities and Specifications* chapter for the appropriate oil filter and engine oil refill quantity.

Maintenance and Care

NOTE: Always dispose of used automotive fluids in a responsible manner. Follow your community's standards for disposing of these types of fluids. Call your local recycling center to find out about recycling automotive fluids.

WARNING
Continuous contact with USED motor oil has caused cancer in laboratory mice.

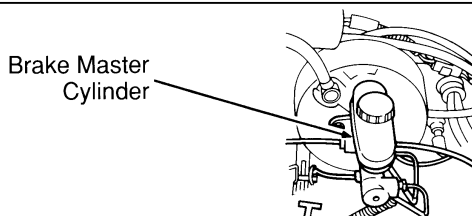
Protect your skin by washing with soap and water.

Brake Fluid

Your vehicle is equipped with a brake fluid level indicator in the master cylinder which lights the BRAKE warning light on the instrument panel when the brake fluid level is low.

Under normal circumstances, your vehicle should not use up brake fluid rapidly. However, expect the level of the brake fluid to slowly fall as you put more mileage on your vehicle and the brake pads wear.

Check the brake fluid at least once a year. You can do this by looking at the fluid level in the plastic brake fluid reservoir on the master cylinder. The fluid level should be at or near the MAX mark.



Brake master cylinder

WARNING

Brake fluid is toxic.

If brake fluid contacts eyes, flush eyes with running water for 15 minutes. Get medical attention if irritation persists. If taken internally, drink water and induce vomiting. Get medical attention immediately.

If the fluid is low, carefully clean and remove the cap from the reservoir. Fill the reservoir to the MAX line with Ford High Performance DOT 3 Brake Fluid C6AZ-19542-AB, or equivalent DOT 3 fluid meeting Ford specification ESA-M6C25-A.

NOTE: If brake fluid is spilled on painted surfaces, it must be flushed and wiped away immediately. Brake fluid may dissolve the paint finish on your vehicle.

WARNING

If you use a brake fluid that is not DOT 3, you will cause permanent damage to your brakes.
--

Do not fill the reservoir above the MAX line.

If you find that the fluid level is excessively low — below the seam or ridge on the outside of the plastic reservoir — have the brake system inspected.

WARNING

Do not let the reservoir for the master cylinder run dry. This may cause the brakes to fail.

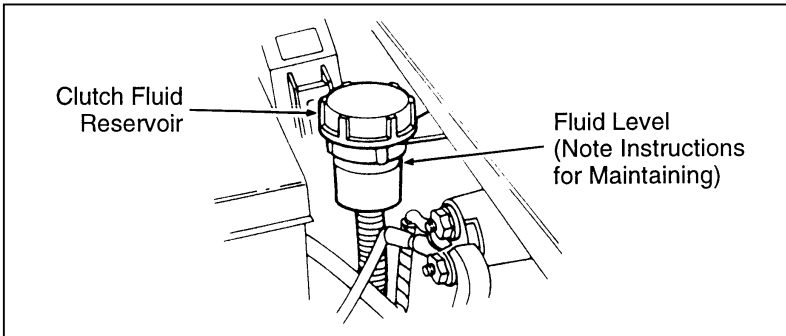
Maintenance and Care

Clutch Fluid (If equipped)

During normal operation the fluid level in the clutch reservoir will slowly rise. If for any reason the fluid level drops, maintain the fluid level at the step in the reservoir body.

If it becomes necessary to remove the reservoir cap, thoroughly clean the reservoir cap before removing it to prevent dirt or water from entering the reservoir. Remove the internal diaphragm and then add only a DOT 3 brake fluid such as Ford High Performance DOT 3 Brake Fluid (Ford Part Number C6AZ-19542-AB) Ford specification ESA-M6C25-A.

The clutch on your vehicle is automatically self-adjusting and should not require any routine service.



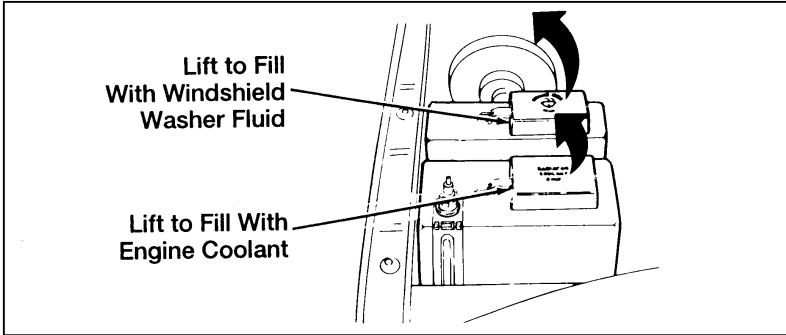
Clutch fluid reservoir

Windshield Washer Fluid

Check the level of the windshield washer fluid every time you stop for fuel. The reservoir for washer fluid is located on the passenger's side of the engine compartment. Visual inspection can determine if the washer fluid is adequate. Do not operate the washer when the reservoir is empty.

WARNING

Do not put windshield washer fluid in the container for the engine coolant.



Adding windshield washer fluid

Use specially formulated windshield washer fluid rather than plain water, because specially formulated washer fluids contain additives that dissolve road grime. For safety reasons, washer fluids containing an appropriate antifreeze such as methanol should be used in freezing weather (temperatures below 32°F [0°C]). State or local regulations on Volatile Organic Compounds (VOCs) may restrict use of the most common antifreeze, methanol. Washer fluids containing non-methanol antifreeze agents should be used only if they provide cold weather protection without damaging the vehicle's paint finish, wiper blades, and windshield washer system.

If you choose to use a windshield washing solution that must be mixed, follow the manufacturer's mixing instructions. Improperly mixed solutions may freeze unexpectedly.

Maintenance and Care

WARNING

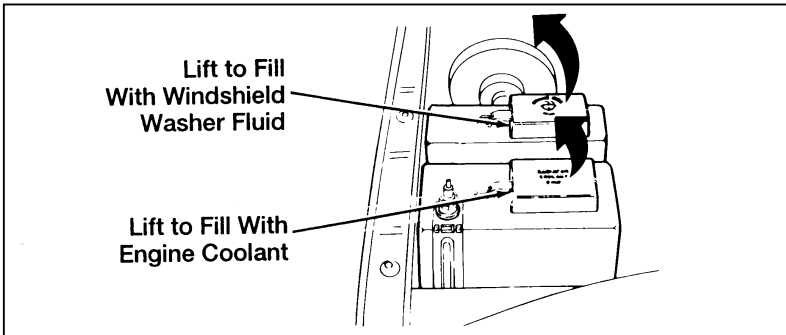
Windshield washer fluid contains methanol and it is poisonous. Follow all instructions on the bottle of washer fluid.

Engine Coolant

Adding engine coolant

WARNING

Do not put engine coolant in the container for the windshield washer fluid.



Adding engine coolant

When the engine is cool, add a 50/50 mixture of engine coolant and water to the engine coolant recovery reservoir — **DO NOT ADD DIRECTLY TO THE RADIATOR**. Add straight water only in an emergency, but you should replace it with a 50/50 mixture of coolant and distilled water as soon as possible.

Check the coolant level in the coolant recovery reservoir the next few times you drive the vehicle. If necessary, add enough of a 50/50 mixture of coolant and water to bring the liquid level to the fill line on the reservoir.

WARNING

Never remove the coolant recovery cap while the engine is running or hot.
--

If you must remove the coolant recovery cap, follow these steps to avoid personal injury caused by escaping steam or engine coolant:

1. Before you remove the cap, turn the engine off and let it cool.
2. When the engine is cool, wrap a thick cloth around the cap and turn it slowly, counterclockwise to the first stop.
3. Step back while the pressure releases.
4. When you are sure that all the pressure has been released, use the cloth to press the cap down, turn it counterclockwise, and remove it.

Use Ford Premium Cooling System Fluid E2FZ-19549-AA (in Canada, Motorcraft CXC-8-B) or an equivalent premium engine coolant that meets Ford specification ESE-M97B44-A. Ford Premium Engine Coolant is an optimized formula that will protect all metals and rubber elastomers used in Ford cooling systems for 4 years or 50,000 miles (80,000 km).

Do not use alcohol or methanol antifreeze or any engine coolants mixed with alcohol or methanol antifreeze. Do not use supplemental coolant additives in your vehicle. These additives may harm your engine cooling system. The use of an improper coolant may void the warranty of your vehicle's engine cooling system.

Maintenance and Care

Recycled engine coolant

Ford Motor Company recommends that Ford and Lincoln-Mercury dealers use recycled engine coolant produced by Ford-approved processes. Not all coolant recycling processes produce coolant which meets Ford specification ESE-M97B44-A, and use of such coolant may harm engine and cooling system components.

Always dispose of used automotive fluids in a responsible manner. Follow your community's regulations and standards for recycling and disposing of automotive fluids.

Coolant refill capacity

To find out how much fluid your vehicle's cooling system can hold, refer to the *Capacities and Specifications* chapter.

Have your dealer check the engine cooling system for leaks if you have to add more than a quart (liter) of engine coolant per month.

Severe winter climate

If you drive in extremely cold climates (less than -34°F [-36°C]), it may be necessary to increase the coolant concentration above 50%. Refer to the chart on the coolant container to ensure the coolant concentration in your vehicle is such that the coolant will not freeze at the temperature level in which you drive during winter months. Never increase the engine coolant concentration above 60%. Leave a 50/50 mixture of engine coolant and water in your vehicle year-round in non-extreme climates.

Checking Hoses

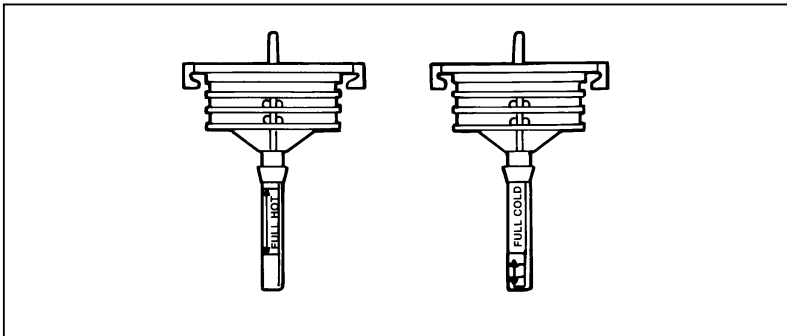
Inspect all engine and heater system hoses for deterioration, leaks and loose clamps before adding or replacing engine coolant. Make whatever repairs or replacements that are necessary using Motorcraft parts or their equivalents.

Power Steering Fluid

Check the level of the power steering fluid at least twice a year (i.e., every Spring and Fall).

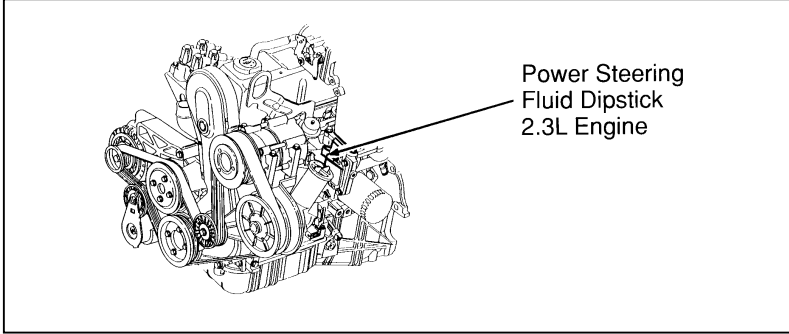
Checking and Adding Power Steering Fluid

1. Start the engine and let it run until the power steering fluid reaches normal operating temperature. The power steering fluid will be at the right temperature when the engine coolant temperature gauge in the instrument cluster is near the center of the normal operating temperature range.
2. While the engine idles, turn the steering wheel back and forth several times. Make sure that the cap assembly is installed at this time.
3. Turn the engine off.
4. Check the fluid level on the dipstick (which is highlighted in yellow in your vehicle). The fluid level should be between the arrows in the FULL HOT range, which is marked on the side of the dipstick, opposite the side marked FULL COLD. Do not add fluid if the level is within the FULL HOT range.

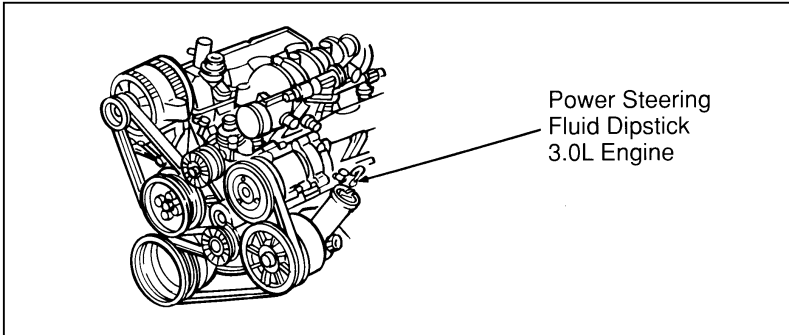


Power steering dipstick

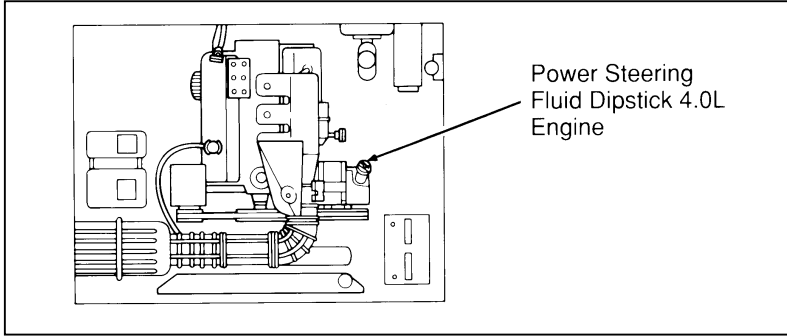
Maintenance and Care



Power steering reservoir



Power steering reservoir



Power steering dipstick location

5. If the power steering fluid is low, add fluid in small amounts, continuously checking the level, until you reach the FULL HOT range. Do not overfill.
6. When you are finished, put the dipstick back in and make sure that it fits snugly.

Use only power steering fluid that meets Ford specification such as MERCON® Multi-Purpose ATF XT-2-QDX (or equivalent).

If the power steering fluid is low, do not drive your vehicle for a long period of time before adding fluid. This can damage the power steering pump.

If you check the power steering fluid when it is cold, make sure that the fluid reaches the FULL COLD range on the dipstick. The reading will only be accurate if the fluid temperature is approximately 50 to 85°F (10 to 30°C).

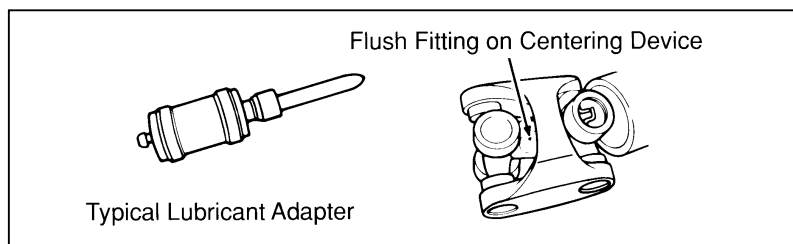
NOTE: Do not turn the steering wheel of your vehicle with the engine off. It could force power steering fluid out from the reservoir cap or in extreme cases, it could unseat the cap.

Maintenance and Care

Driveline Universal Joint and Slip Yoke

The universal joints that come standard with your vehicle do not require lubrication. If your original equipment universal joints are replaced with universal joints equipped with grease fittings, lubrication will be necessary at the intervals shown in the *Maintenance Schedule* booklet.

Your vehicle may be equipped with a constant velocity or double cardan joint at the transfer case end of the driveshaft. The front driveshaft double cardan joint may be fitted with a flush type grease fitting that requires an adapter to permit proper lubrication. Lubricate the drive joint according to the intervals shown in the *Maintenance Schedule* booklet.



Double cardan joint

Automatic Transmission Fluid

Under normal driving conditions your automatic transmission does not use up transmission fluid. However, it is recommended that you check the transmission fluid at least twice a year. Vehicles under severe driving conditions must have the fluid changed every 50,000 miles. If the transmission is not working properly, for example, the transmission may slip or shift slowly, or if you notice some sign of fluid leakage, the fluid level should be checked.

It is preferable to check the transmission fluid level at normal operating temperature, after approximately 20 miles (30 km) of driving. However, if necessary, you can check the fluid level without having to drive 20 miles to obtain a normal operating temperature if outside temperatures are above 50°F (10°C).

NOTE: If the vehicle has been operated for an extended period at high speeds or in city traffic during hot weather, or pulling a trailer, the vehicle should be turned off for about 30 minutes to allow the fluid to cool before checking.

Checking the Automatic Transmission Fluid

With the vehicle on a level surface, start the engine and move the gearshift lever through all of the gear ranges allowing sufficient time for each position to engage. Securely latch the gearshift lever in the P (Park) position, fully set the parking brake and leave the engine running.

NOTE: Vehicles equipped with the 4x4 option must have the 4x4 shift selector in any position other than neutral. If in neutral the vehicle may move.

WARNING
Your vehicle should not be driven if the fluid level is below the bottom hole on the dipstick and outside temperatures are above 50°F (10°C).

Wipe off the dipstick cap (located on the passenger's side of the engine), pull the dipstick out and wipe the indicator end clean. Put the dipstick back into the filler tube and make sure it is fully seated. Pull the dipstick out and read the fluid level.

When checking fluid at normal operating temperature, the fluid level should be within the crosshatched area on the dipstick. When the vehicle has not been driven, and outside temperature is above 50°F (10°C), the fluid level should be between the holes on the dipstick.

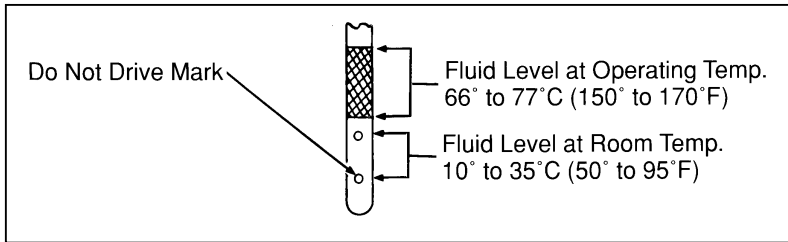
Maintenance and Care

Adding Automatic Transmission Fluid

The fluid type is stamped on the dipstick. **Before adding any fluid, be sure that the correct type will be used.**

Add fluid in 1/2 pint (.25L) increments through the filler tube to bring the level to the correct area on the dipstick. If an overfill occurs, excess fluid should be removed by a qualified technician.

NOTE: Always dispose of used automotive fluids in a responsible manner. Follow your community's standards for disposing of these types of fluids. Call your local recycling center to find out about recycling automotive fluids.



Automatic transmission dipstick

Manual Transmission and Transfer Case Fluid

Checking the Manual Transmission Fluid

Clean the filler plug on the side of the case. Remove the filler plug. The fluid level should be up to the bottom of the filler plug hole.

If additional fluid is required:

1. Add enough fluid through the filler plug hole to bring the level up to the bottom of the hole. Use only fluid certified to meet Ford Motor Company lubricant specification as listed under *Refill Capacities, Motorcraft Parts, and Lubricant Specifications*, later in this chapter.
2. Replace the filler plug in its original position, making sure it is fully seated.

Battery

Your vehicle may have a Motorcraft maintenance-free battery. The Motorcraft maintenance-free battery does not require additional water during its life of service. The vents are part of the cover and cannot be removed. For longer, trouble-free operation, keep the top of the battery clean and dry. Also, make certain the battery cables are tightly fastened to the battery terminals.

If you see any corrosion on the battery cables or terminals, remove the cables from the terminal and clean them both with a wire brush. You can neutralize the acid with a solution of baking soda and water. Reinstall the cables when you are done cleaning them, and apply a small quantity of grease to the top of each battery terminal to help prevent corrosion.

Maintenance and Care

Battery replacement

If your original equipment battery requires replacement (under warranty), it may in some cases be replaced by a Motorcraft low-maintenance battery. The low-maintenance battery has removable vent caps for checking the electrolyte level and for adding water, if needed.

NOTE: If your battery has a cover/shield, make sure it is re-installed after the battery is replaced.

Check your battery's electrolyte level, at least every 12 months or 12,000 miles (20,000 km), in temperatures up to 90°F (32°C) and more often in temperatures above 90°F (32°C). Keep the electrolyte in each cell up to the "level" indicator. Do not overfill the battery cell.

If the electrolyte level in your battery gets low, you can add plain tap water to the battery, as long as you don't use hard water, or water with a high mineral or alkali content. If possible, however, try to only fill the battery cell with distilled water. If the battery needs water often, have the charging system checked.

Help Us Protect Our Environment

Ford Motor Company strongly recommends that used lead-acid batteries be returned to an authorized recycling facility for disposal.



Battery recycling symbol

Because your vehicle's engine is electronically controlled by a computer, some control conditions are maintained by power from the battery. If you ever disconnect the battery, install a new battery, or experience a dead battery, you must allow the computer to "relearn" its idle conditions before your vehicle will idle at its best. To let the engine do this, apply the parking brake, put the gearshift in P (Park) (automatic transmission) or Neutral (manual transmission), turn off all the accessories, and start the vehicle. Let the engine idle for at least one minute.

If you do not let the engine relearn its idle, the idle quality of your vehicle may be adversely affected until the idle is relearned. Your vehicle will eventually relearn its idle while you drive it, but it takes much longer than if you use the previous procedure.

WARNING

Batteries normally produce explosive gases which can cause personal injury. Do not allow flames, sparks or lit tobacco to come near the battery. Always cover your face and protect your eyes and also provide ventilation.
--

WARNING

Batteries contain sulfuric acid which burns skin, eyes, and clothing.
--

If the acid touches someone's skin, eyes, or clothing, immediately flush the area with water for at least 15 minutes. If someone swallows the acid, have him or her drink lots of milk or water first, then Milk of Magnesia, a beaten egg, or vegetable oil. Call a doctor immediately.

Maintenance and Care

WARNING

Applying too much pressure on the ends when lifting a battery could cause acid to spill. Lift the battery with a carrier or with your hands on the opposite corners.

Wiper Blades

Check the windshield wiper blades at least twice a year. Also check them whenever they seem less effective than usual. Such substances as tree sap and some hot wax treatments used by commercial car washes reduce the effectiveness of wiper blades.

If the blades do not wipe properly, clean both the windshield and the wiper blades. Use undiluted windshield washer solution or a mild detergent. Rinse thoroughly with clear water. Do not use fuel, kerosene, paint thinner, or other solvents to clean your wiper blades. These will damage your blades.

To make reaching the wiper blades easy, simply turn the ignition to the ACC position and turn your wipers on. Wait for them to reach a vertical position and turn the ignition to the OFF position. Do not move the wipers manually. Manually moving the wipers across the windshield may damage them.

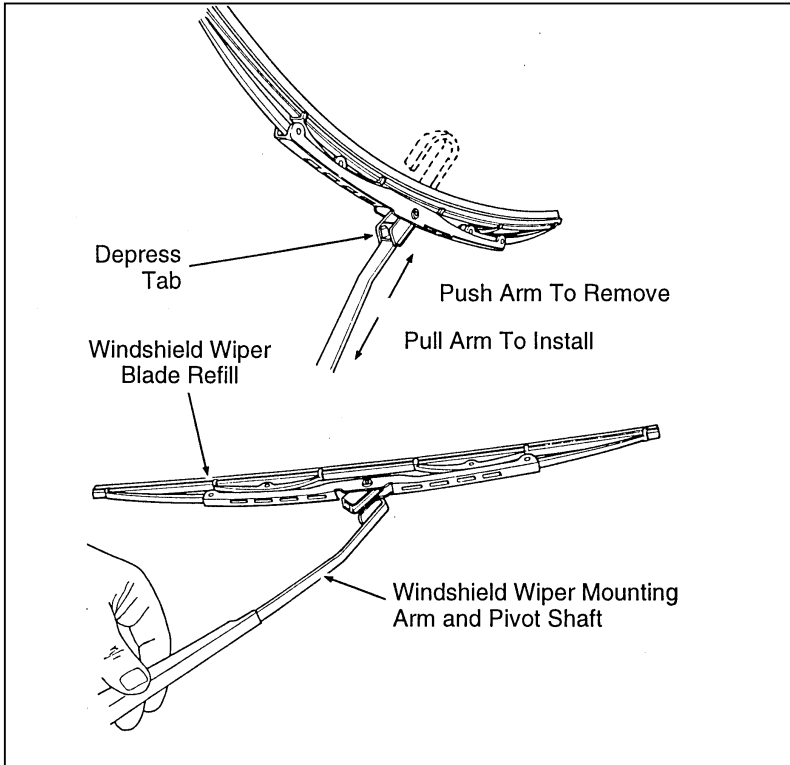
Wiper blade replacement

If the wipers still do not work properly after you clean them, you may need to replace the wiper blade assembly or the blade. When replacing the wiper blade assembly, blade refill, or wiper arm always use a Motorcraft part or equivalent.

To replace the wiper blades:

1. Cycle windshield wiper arm and wiper blade to where removal of blade can be performed without difficulty. Turn ignition off at desired position.

-
2. To remove wiper blade assembly from wiper mounting arm, depress lock tab and push wiper mounting arm away from wiper blade assembly.
 3. To install wiper blade assembly, pull wiper mounting arm down on wiper blade until lock tab is engaged.



Replacing the wiper blades

Maintenance and Care

Tires

Look at your tires each time you fill your fuel tank. If one tire looks lower than the others, check the pressure in all of them. Always follow these precautions:

- Use an accurate tire pressure gauge.
- Check the tire pressure when tires are cold, after the vehicle has been parked for at least one hour or has been driven less than 3 miles (5 km).
- Make sure the weight of your load is evenly distributed.
- Adjust tire pressure to recommended specifications found on the Safety Compliance Certification Label.

If you do not take these precautions, your tires may fail or go flat.

Ford Motor Company recommends obeying posted speed limits.

WARNING
Driving too fast for conditions creates the possibility of loss of vehicle control. Driving at very high speeds for extended periods of time may result in damage to vehicle components.

At least once a month, check the pressure in all your vehicle's tires, including the spare. Use an accurate tire pressure gauge. Check the tire pressure when tires are cold, that is, after the vehicle has been parked for at least one hour or has been driven less than 3 miles (5 km). You can find the proper cold pressure on the Safety Compliance Certification Label.

WARNING

Improperly inflated tires can affect vehicle handling and can fail suddenly, possibly resulting in loss of vehicle control.
--

Tire inspection and maintenance

Inspect the tire treads, and remove stones, nails, glass or other objects that may be wedged in the tread grooves. Check for holes or cuts that may permit air to leak from the tire, and make the necessary repairs.

Inspect the tire side walls for cuts, bruises and other damage. If you suspect internal damage to the tire, have it demounted and checked. You may need to repair or replace it.

Wheel inspection and maintenance

Check for damage that would affect the runout of the wheels. Wobble or shimmy will eventually damage the wheel bearings.

Front wheel bearings require periodic repacking and adjustment as specified in the *Maintenance Schedule* booklet. Loose or worn front wheel bearings tend to let the vehicle wander or shimmy, and can eventually cause excessive tire wear.

Whenever a wheel is removed and then re-installed, always remove any corrosion that may be present on the mounting surface of the wheel and/or the surface of the hub, drum or rotor that contacts the wheel.

WARNING

Installing wheels without a good metal-to-metal contact at the wheel mounting surface can cause the wheel lug nuts to loosen and could allow the wheel to come off while the vehicle is in motion.

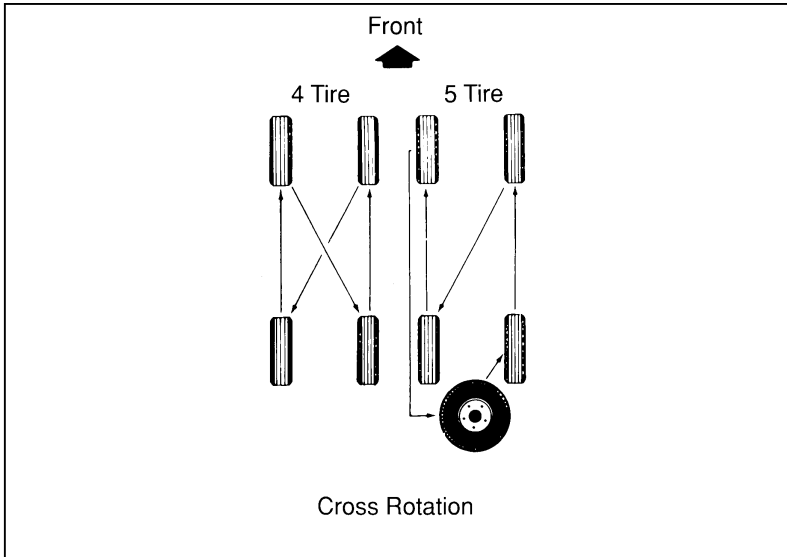
Maintenance and Care

Tire Rotation

Because your vehicle's front and rear tires perform different jobs, they often wear differently. To make sure your tires wear evenly and last longer, rotate them as indicated in the following diagram.

For tire rotation intervals, see the *Maintenance Schedule* booklet. If you notice that the tires wear unevenly, have them checked.

In situations where the tires differ from front to rear (snow/traction), simply rotate using a side to side pattern.



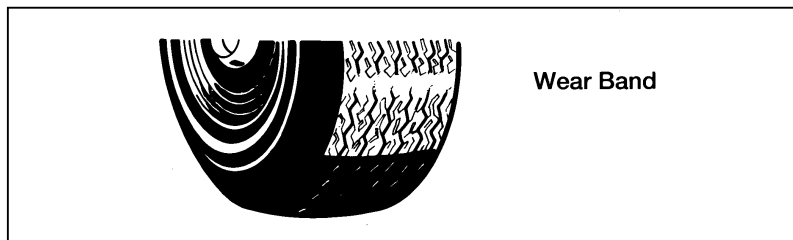
Tire rotation pattern

After each rotation, adjust individual tire pressure as specified on the Safety Compliance Certification Label. Tighten wheel lug nuts to the required torque specification and retighten again after 500 miles (800 km).

If your vehicle has aluminum wheels, you may demount the full size, non-temporary spare tire (if so equipped) and remount on an aluminum wheel to rotate the spare tire into your vehicle's rotation pattern. Rebalance the wheel.

Replacing the Tires

Replace any tires that show wear bands. When your tire shows a wear band, it has only 1/16 inch (2 mm) of tread left.



A worn-out tire

Because your vehicle's tires may wear unevenly, you may need to replace them before a wear band appears across the entire tread.

Your wheels and tires are match-mounted for improved ride. Before you begin to repair a tire, mark the wheel and tire so that they are properly aligned when remounted. This will ensure that the tires will continue to give you the same ride level.

Maintenance and Care

WARNING

<p>When replacing full size tires, never mix radial, bias-belted, or bias-type tires. Use only the tire sizes that are listed on the tire pressure decal. Make sure that all tires are the same size, speed rating, and load-carrying capacity. Use only the tire combinations recommended on the decal. If you do not follow these precautions, your vehicle may not drive properly and safely.</p>

WARNING

<p>Make sure that all replacement tires are of the same size, type, load-carrying capacity, and tread design (e.g. “All Terrain”, etc.), as originally offered by Ford.</p>
--

WARNING

<p>Do not replace your 4x2 tires with “high performance” tires, or larger size tires than approved for your vehicle by Ford.</p>

Ranger 4x4 P235/265 Tire and Wheel Usage

WARNING

Do not use P235/75R15 “All Season” tires. For Ranger 4x4 Regular Cab vehicles, P235/75R15 “All Terrain” tires are acceptable only on 15x7 inch wheels.

WARNING

Do not use P265/75R15SL tires on the Ranger 4x4 108 inch wheelbase. The P265/75R15SL “All Terrain” tires are acceptable only on the 114 inch and 125 inch wheelbase Ranger 4x4 models, and only with 15x7 inch wheels.

Tire Size	Acceptable	Unacceptable
P235/75R15SL	“All Terrain” Tire with 15x7 wheel only	“All Season” Tire
P265/75R15SL	On 114 & 125 inch wheelbase models with 15x7 wheel only	On 108 inch wheelbase model

WARNING

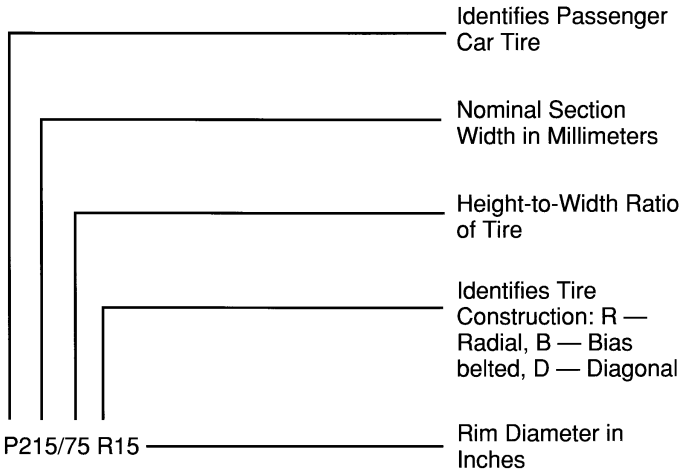
Failure to follow these precautions may adversely affect the handling of the vehicle and make it easier to lose control and roll over.

Tires that are larger or smaller than your vehicle’s original tires may also affect the accuracy of your speedometer.

Maintenance and Care

Please note that the size in the following chart is typical. To determine what specific size tire and rim is recommended by Ford for use on your vehicle, refer to the Safety Compliance Certification Label on your vehicle.

Tire Size
Designation



Tire identification chart

WARNING

Use of aftermarket wheel assemblies may damage your vehicle or cause accidents resulting in serious injuries.

Wheel and Tire Matching

See an authorized tire dealer for proper servicing procedures. Wheels and tires must be properly removed, matched and remounted to maintain the best possible ride.

Snow Tires and Chains

The tires on your vehicle have all-weather treads that provide traction in rain or snow. However, during the winter months in some climates, you may need to use snow tires and occasionally chains for your tires.

WARNING

Snow tires must be the same size and grade as the tires you currently have on your vehicle.
--

Do not use chains when using a temporary spare. For full size tires, use chains on the tires only in an emergency or if the law requires them where you live. When you use the tire chains:

- Make sure the chains are the right size for your tires. Use only SAE Class “S” chains. Other types may damage your vehicle.
- Tire chains may scratch or chip aluminum wheels. **IT IS RECOMMENDED THAT TIRE CHAINS ARE INSTALLED ON STEEL WHEELS ONLY.** Be sure to remove wheel covers (if equipped) from steel rims before using tire chains to avoid scratches or damage.
- Install tire chains on rear tires; use of chains on front tires is not recommended.
- Local regulations may prohibit or restrict the use of tire chains. Investigate the laws and regulations in your area before installing chains.

Maintenance and Care

- Put the chains on tightly with the ends held down securely. Verify that no chain touches any wiring, brake lines, or fuel lines. Follow the chain manufacturer's instructions.
- Drive slowly. If you can hear the chains rub or bang against your vehicle, stop the vehicle and tighten the chains. If you continue to hear the chains rub or bang against your vehicle, remove the chains to prevent damage to your vehicle.
- Avoid fully loading your vehicle if possible.
- Tire chains may affect vehicle handling. Drive carefully and avoid hard braking.

Remove tire chains at the first opportunity after using them on snow and ice. Do not use the chains on dry roads.

- Make sure your suspension insulation and bumpers are not missing or worn to avoid damage to your vehicle.

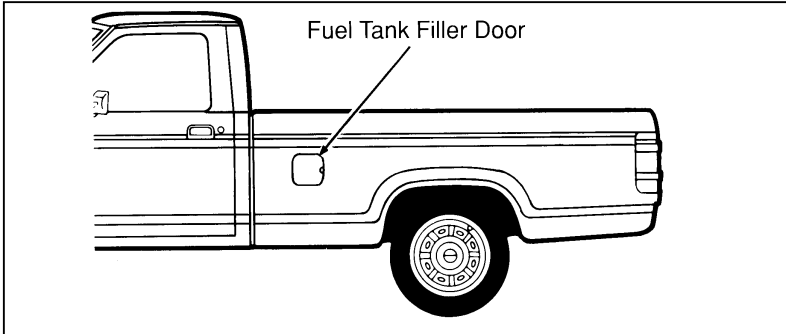
Cleaning the Wheels

Wash the wheels with the same detergent you use to wash your vehicle's body. Do not use acid-based wheel cleaners, steel wool, abrasives, fuel, or strong detergents. These substances will damage protective coatings. Use tar and road oil remover to remove grease and tar.

NOTE: Before going to a car wash, find out if the brushes are abrasive.

If you have raised white letter tires that are difficult to clean with regular detergent, use whitewall tire cleaner. Follow the directions on the container and rinse the tires with plenty of clean water.

Filling the Fuel Tank



Fuel filler door

Opening the Fuel Filler Door

To open the fuel filler door of your vehicle, just insert your finger in the divot and pull the door open all the way.

Filling the fuel tank

WARNING
Do not overfill the fuel tank. The pressure in an overfilled tank may cause leakage and lead to fuel spray and fire.

To fill the fuel tank properly:

NOTE: Extinguish all lit cigarettes, other smoking materials, and any open flames before fueling your vehicle.

1. Unscrew the fuel cap by exerting pressure on the plastic lock bar and rotating the fuel cap counterclockwise.
2. Turn the fuel cap 1/2 to 3/4 of a turn until a hissing sound is heard. Wait until the hissing sound stops and then continue rotating counterclockwise to remove the fuel cap.

Maintenance and Care

Make sure that you follow the above fuel cap removal instructions and use caution. Such caution will minimize the possibility of fuel spraying during removal of the fuel cap.

3. Make sure that you pump unleaded fuel and put the nozzle all the way inside the fuel filler pipe.

If you spill any fuel on the body of your vehicle, clean it off immediately. The fuel may dull or soften the paint if you do not wash it off.

To replace and secure the fuel cap, place it in position and rotate it clockwise until it clicks (ratchets). Doing so will not damage or break the fuel cap. The ratcheting mechanism allows the fuel cap to be sealed without overtightening.

If you lose the fuel cap, replace it with an authorized Motorcraft or equivalent part.

WARNING

If you do not use the proper fuel cap, the pressure in the fuel tank can damage the fuel system or cause it to work improperly in a collision.

NOTE: If you replace your fuel cap with an aftermarket fuel filler cap, the customer warranty may be void for any damage to the fuel tank and/or fuel system.

WARNING

The fuel system may be under pressure. If the fuel cap is venting vapor or if you hear a hissing sound, wait until it stops before completely removing the cap.
--

You may occasionally hear and/or feel a slight thump occurring one or two seconds after a gentle stop. This is normal and generally occurs with the fuel tank 3/4 full. It is caused by the wave action of the fuel within the tank.

A venting fuel tank is not an abnormal condition. It may be caused by:

- Too volatile a fuel for the weather conditions. The service stations sometimes sell winter grade fuel in the spring.
- Pulling a heavy load on hot days, or at high altitudes.
- Extended periods of idling with the engine RPM increased above the normal idle range.
- Parking vehicle in full sunlight for extended periods on extremely hot days.

Choosing the Right Fuel

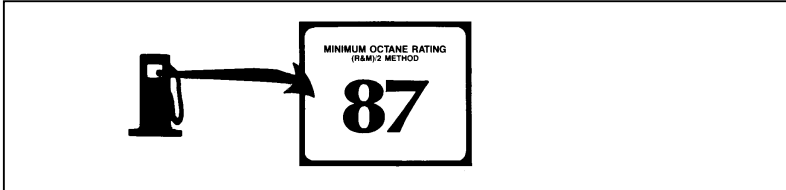
Use only UNLEADED FUEL. The use of leaded fuel is prohibited by law and could damage your vehicle. The damage may not be covered by your warranty.

Your vehicle was not designed to use fuel containing manganese-based additives such as MMT. Additionally, vehicles certified to California emission standards (indicated on the underhood Vehicle Emissions Control Information label) are designed to operate on California reformulated gasolines. If California reformulated gasoline is not available when you refuel, your vehicle can be operated on non-California fuels. However, even though your engine will perform adequately on other gasolines, the performance of the emission control devices and systems may be adversely affected. Repair of damage caused by using a fuel that your vehicle was not designed for may not be covered by your warranty.

Octane Recommendations

Your vehicle is designed to use regular gasoline with an (R+M)/2 octane rating of 87. We do not recommend gasolines labeled as “regular” in high altitude areas that are sold with octane ratings of 86 or even less.

Maintenance and Care



Typical octane rating label

Do not be concerned if your vehicle sometimes knocks lightly. However, if it knocks heavily under most driving conditions on the recommended octane fuel, see your dealer or a qualified service technician to prevent any engine damage.

Fuel Quality

If you are experiencing starting, rough idle or hesitation problems, try a different brand of fuel. If the condition persists, see your dealer or a qualified service technician.

The American Automobile Manufacturers Association (AAMA) issued a gasoline specification to provide information on high quality fuels that optimize the performance of your vehicle. We recommend the use of gasolines that meet the AAMA specification if they are available.

It should not be necessary to add any aftermarket products to your fuel tank if you continue to use a high-quality fuel.

Cleaner Air

Ford approves the use of gasolines to improve air quality, including reformulated gasolines, that contain oxygenates such as a maximum of 10% ethanol or 15% MTBE. There should be no more than 5% methanol with cosolvents and additives to protect the fuel system.

Safety Information Relating to Automotive Fuels

WARNING

Automotive fuels can cause serious injury or death if misused or mishandled.

Gasoline and other automotive fuels are extremely flammable. Turn your vehicle off and do not smoke while refueling your vehicle. Keep sparks and other sources of ignition away from fuels.

Automotive fuels can be harmful or fatal if swallowed. Further, gasoline may be blended with methanol. Even small amounts of methanol can cause blindness and possibly death when swallowed. Therefore, never attempt to siphon any fuel by mouth.

If any fuel is swallowed, call a physician or poison control center immediately. **Do not delay calling a physician merely because no adverse effects are noticed at first; the toxic effects of fuels may not become apparent for many hours.**

If gasoline is swallowed, do not induce vomiting. If a gasoline-methanol blend is swallowed, induce vomiting under the direction of a physician or poison control center.

Gasoline and gasoline-methanol blends may contain small amounts of carcinogens, such as benzene. Long-term exposure to unleaded gasoline vapors has caused cancer in laboratory animals. Further, excessive inhalation of fuel vapors can cause headache, dizziness, nausea, loss of coordination, and other symptoms which could interfere with your ability to safely operate your vehicle. To the extent possible, avoid breathing vapors while refueling. If fuel vapors are inhaled in excessive quantities, move the victim to fresh air and seek medical attention.

Maintenance and Care

Fuels can also be harmful if absorbed through the skin. When refueling, be careful not to splash fuel on yourself or your clothing. If fuel is splashed on the skin, promptly remove contaminated clothing and wash the skin thoroughly with soap and water.

Fuels can cause severe eye irritation and possibly eye damage. If fuel is splashed in the eyes, remove contact lenses (if worn), flush with large amounts of water for 15 minutes, and seek medical attention.

If you are taking the medication “Antabuse” or other forms of disulfiram for the treatment of alcoholism, vapor or skin contact with a gasoline-methanol blend may cause the same kind of adverse reaction as drinking an alcoholic beverage. In sensitive individuals, serious personal injury or sickness could result. Consult a physician promptly if you experience an adverse reaction.

Running Out of Fuel

If your vehicle runs out of fuel, try to stop on level ground away from traffic. Add at least two gallons (8 liters) of fuel to start your vehicle again. If your vehicle is not on level ground, you may need as much as five gallons (20 liters) of fuel to start it.

You may need to crank the engine several times before the fuel system starts to pump fuel from the tank to the engine.

Fuel Economy

Fuel economy is an estimate of the efficiency of your vehicle and can be calculated as Miles Per Gallon (MPG) or Liters Per 100 Kilometers (L/100K).

To calculate fuel economy:

1. Fill the tank completely and record the initial odometer reading.
2. Every time you buy fuel record the amount (in gallons or liters) purchased.
3. After at least three to five tankfuls, fill the fuel tank and record the final odometer reading.
4. Divide the total number of miles that you have driven by the total number of gallons that your vehicle has used. In metric, multiply the number of liters used by 100 and divide the answer by the number of kilometers traveled. This will give you the number of liters used per 100 km.

Comparisons With Environmental Protection Agency (EPA) and Transport Canada (TC) Fuel Economy Estimates

EPA fuel economy figures are obtained from laboratory tests under simulated road conditions and may not reflect the actual conditions you experience or your style of driving. The EPA fuel economy estimate is not a guarantee that you will achieve the fuel economy shown.

Improving Fuel Economy

Fuel economy is affected by a number of variables which can reduce efficiency. You can improve fuel economy by understanding these variables and minimizing their effect.

Maintenance and Care

The following decrease fuel economy:

- Lack of regular, scheduled maintenance
- Excessive speed
- Rapid acceleration and excessive speed
- Driving with your foot on the brake
- Sudden stops
- Extended engine idling
- Using speed control in hilly terrain
- Extended use of the A/C, defroster, rear window defroster and other accessories
- Underinflated tires
- Heavy loads
- Aftermarket add-ons such as bike, ski or luggage racks, bug deflectors, etc.

Emission Control System

Your vehicle is equipped with a catalytic converter which enables your vehicle to comply with applicable exhaust emission requirements.

To make sure that the catalytic converter and the other emission control parts continue to work properly:

- Use only unleaded fuel.
- Avoid running out of fuel.
- Do not turn off the ignition while your vehicle is moving, especially at high speeds.
- Have the services listed in your *Maintenance Schedule* booklet performed according to the specified schedule.

WARNING
Do not park, idle, or drive your vehicle in dry grass or other dry ground cover. The emission system heats up the engine compartment and exhaust system, which can start a fire.

WARNING
On vehicles without original equipment floor covering or insulation, do not let passengers ride in your truck in a manner that allows contact between skin and the metal floor.

Watch for fluid leaks, strange odors, smoke, loss of oil pressure, the charge warning light, the check engine light, or the temperature warning light. These sometimes indicate that the emission system is not working properly.

Do not make any unauthorized changes to your vehicle or engine. Changes that cause more unburned fuel to reach the exhaust system can increase the temperature of the engine or exhaust system.

By law, anyone who manufactures, repairs, services, sells, leases, trades vehicles, or supervises a fleet of vehicles is not permitted to intentionally remove an emission control device or prevent it from working. In some of the United States and in Canada, vehicle owners may be liable if their emission control device is removed or is prevented from working.

Never use a metal exhaust collector when you service your vehicle. If the metal collector contacts any of your vehicle's plastic trim or bumper parts they could melt or deform.

Do not drive your vehicle if it does not operate properly. See your dealer if the engine runs on for more than five seconds after you shut it off or if it misfires, surges, stalls, or backfires.

Maintenance and Care

Information about your vehicle's emission control system is on the Vehicle Emission Control Information decal located on or near the engine. This decal identifies engine displacement and gives some tune-up specifications.

How to Prepare Your Vehicle for Inspection/Maintenance (I/M) Testing

In some localities it may become a legal requirement to pass an Inspection/Maintenance (I/M) test of the On-Board Diagnostic (OBD) II system. If your check engine light is on, reference the check engine light description under the *Warning Lights and Gauges* section. Your vehicle may not pass an I/M test with the check engine light on. If the vehicle's powertrain system or its battery has just been serviced, the OBD II system is reset to a not ready for I/M testing condition. To prepare for I/M testing, additional city and highway driving is necessary to complete the check of the OBD II system.

The driving modes required to reach the ready condition consist of a minimum of 30 minutes of city and highway driving as described below:

- 20 minutes of driving in stop and go city-type traffic with at least four (4) idle periods.
- 10 minutes of driving on an expressway or highway

Before completing the above driving modes, the engine must be warmed up and operating temperature. Once started, the vehicle must not be turned off during the above driving modes. If the vehicle owner is unable to meet the I/M requirements by using these driving patterns, an authorized service center can perform a detailed OBD II Drive Cycle as it would any other type of repair work.

Lights and Bulb Replacement

It is a good idea to check the operation of the following lights frequently:

- headlamps
- high-mount brakelamp
- tail lamps
- brakelamps
- hazard flasher
- turn signals
- license plate lamps
- fog lamps

The alignment of your headlamps should be checked if:

- oncoming motorists frequently signal you to turn off your vehicle's high beams when you do not have the high beams on
- the headlamps do not seem to give you enough light to see clearly at night
- the headlamp beams are pointed substantially away from a position slightly down and to the right

Maintenance and Care

Headlamp Bulb

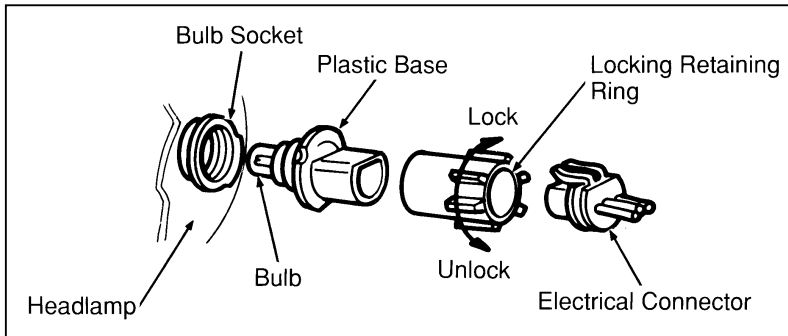
The headlamps on your vehicle use replaceable bulbs. When the lamp burns out, simply replace the bulb, rather than the whole lamp.

WARNING

Handle a halogen headlamp bulb carefully and keep out of children's reach. Grasp the bulb only by its plastic base and do not touch the glass. The oil from your hand could cause the bulb to break the next time the headlamps are operated.

NOTE: If the bulb is accidentally touched, it should be cleaned with rubbing alcohol before being used.

Do not remove the burned-out bulb unless you can immediately replace it with a new one. If a bulb is removed for an extended period of time, contaminants may enter the headlamp housing and affect its performance.



Parts of a headlamp

Removing the headlamp bulb

1. Make sure that the headlamp switch is in the OFF position.
2. Lift the hood. Remove the electrical connector behind the headlamp by grasping the wires and pulling it rearward.
3. Remove the bulb retaining ring by turning it 1/8 of a turn to free it from the socket. Then slide the ring off the plastic base. **Keep the ring.** You must use it again to hold the new bulb in place.
4. Carefully remove the bulb assembly from its socket by gently pulling it rearward without turning.

Installing the headlamp bulb

1. With the flat side of the bulb's plastic base facing upward, insert the glass end of the bulb into the socket. You may need to turn the bulb left or right to line up the grooves in the plastic base with the tabs in the socket. When the grooves are aligned, push the bulb into the socket until the plastic base contacts the rear of the socket.
2. Slip the bulb retaining ring over the plastic base until it contacts the rear of the socket. Lock the ring into the socket by rotating it clockwise until you feel a "stop."
3. Push the electrical connector into the rear of the plastic base until it snaps, locking it into position.
4. Turn the headlamps on and make sure that they work properly. If the headlamp was correctly aligned before you changed the bulb, you should not need to align it again.

Maintenance and Care

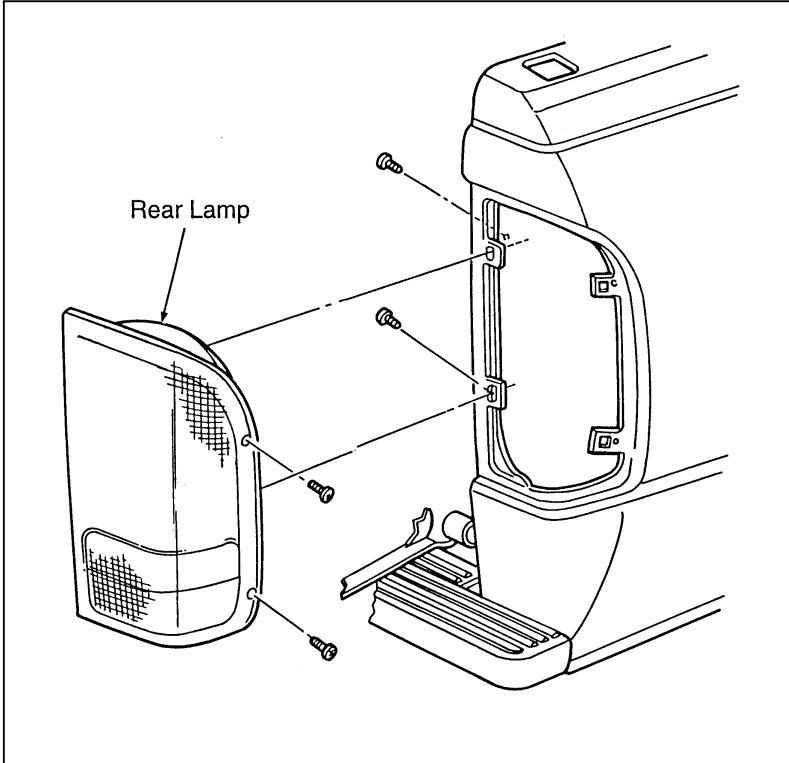
Tail Lamp Bulb

Removing the tail lamp bulb

1. Remove the four (4) screws retaining rear lamp to vehicle.
2. Remove rear lamp.
3. Remove socket from lamp.
4. Remove bulb from socket.

Installing the tail lamp bulb

1. Install tail lamp bulb in socket.
2. Install socket to lamp.
3. Install lamp to vehicle.
4. Install four (4) lamp retaining screws.



Replacing the tail lamp bulb

Maintenance and Care

Bulb Specifications

Description	No. of Lamps Req'd	Trade Number
Front Lamps — Exterior	—	—
• Front Parking Lamp and Turn Signal	4	3157K
• Front Side Marker Lamp	2	194NA
• Headlamps	2	9007
• Underhood Lamp (if equipped)	1	906
• Fog Lamps (4x4)	2	9006 or HB4
Rear Lamps — Exterior	—	—
• Hi-Mount Brakelamp	2	906
• Backup Lamp	2	3156K
• Cargo Lamp (if equipped)	1	922
• License Plate Lamp w/o Bumper	1	194
• License Plate Lamp w/Bumper	2	194
• Rear Tail/Brakelamp	2	3157K
• Rear Turn Lamp	2	3156K
Interior Courtesy Lamps	—	—
• Dome Lamp	1	912
• Instrument Panel Gauge Illumination	5	194
• Map/Dome—Super Cab (if equipped)	2	906
• Map/Dome—Reg. Cab (if equipped)	1	212-2
	2	906
Radio Illumination	—	①
Speed Control Switch Illumination	2	③
Instrument Cluster—	—	—
• Glove Compartment Lamp (if equipped)	1	194
Instrument Cluster Instrument Panel Switch	1 each	194
Nomenclature	—	—
• A/C Control Illumination	1	161
• Headlamp Switch Illumination	1	1815
• Heater Control Illumination	1	161
• Transfer Case Switch Indicator Light	1	②
① Replaceable at Ford authorized radio service center.		
② Refer to your Ford dealer for bulb replacement.		
③ Replace speed control switch.		

Rear lighting wire functions

Wire Color	Circuit Function
Brown	Parking Lamps
Orange-Lt. Blue Stripe	R.H. Turn Lamp
Lt. Green-Orange Stripe	L.H. Turn Lamp
Black-Pink Stripe	Reverse Lamps
Black	Ground
Lt. Green	Brake Lamp

Cleaning Your Vehicle

Pollen, bird droppings and tree sap can damage the paint, especially in hot weather. Wash your vehicle as often as necessary to keep it clean.

Take similar precautions if your vehicle is exposed to chemical industrial fallout.

Paint damage resulting from fallout is not related to a defect in paint materials or workmanship and therefore is not covered by warranty. Ford, however, believes that continual improvement in customer satisfaction is a high priority. For this reason, Ford has authorized its dealers to repair, at no charge to the owner, the surfaces of new vehicles damaged by environmental fallout within 12 months or 12,000 miles (20,000 km) of purchase, whichever comes first. Customers may be required to bring their vehicle in for inspection by a Ford representative.

Maintenance and Care

Washing and Polishing Your Vehicle

Wash the outside of your vehicle, including the underside, with a mild detergent.

DO NOT:

- Wash your vehicle with hot water
- Wash your vehicle while it sits in direct sunlight
- Wash your vehicle while the body is hot

Polish your vehicle to remove harmful deposits and protect the finish.

Cleaning Chrome and Aluminum Parts

Wash chrome and aluminum parts with a mild detergent. Do not use steel wool, abrasive cleaners, fuel or strong detergents.

Cleaning Plastic Parts

Some of your vehicle's exterior trim parts are plastic. Clean with a tar and road oil remover if necessary. Use a vinyl cleaner for routine cleaning.

Do not clean plastic parts with thinners, solvents or petroleum-based cleaners.

If you have your vehicle rustproofed, remove oversprayed rustproofing with a tar and road oil remover. If rustproofing is not removed from plastic and rubber parts, it can cause deterioration.

Because your vehicle's side mouldings are painted in lacquer, do not use thinners or solvents to clean them.

NOTE: Any cleaner or polish that increases the gloss (shine) of the upper part of the instrument panel should be avoided. The dull finish in this area is to help protect the driver from undesirable windshield reflection.

Cleaning the Exterior Lamps

Do not use dry paper towel, chemical solvents or abrasive cleaners to clean the lamps, as these may cause scratches or crack the lamps.

Cleaning the Engine

A clean engine is more efficient because a buildup of grease and dirt acts as an insulator, keeping the engine warmer than usual.

- Extreme care must be used if a power washer is used to clean the engine. The high pressure fluid could penetrate sealed parts and assemblies causing damage or malfunctions.
- In order to avoid possible cracking of the engine block or fuel injection pump, do not spray a hot engine or injection pump with cold water.
- The alternator, coils and air intake must be covered. Covering these components will help prevent water damage.
- Never wash or rinse the engine while it is running. Water getting into the engine may cause internal damage.

Cleaning the Seats

Fabric

Remove dust and loose dirt with a whisk broom or a vacuum cleaner. Remove fresh spots immediately. Follow the directions that come with the cleaner.

NOTE: Before using any cleaner, test it on a small, hidden area of fabric. If the fabric's color or texture is adversely affected by a particular cleaner, do not use it.

Maintenance and Care

Leather

For routine cleaning, wipe the surface with a soft, damp cloth. For more thorough cleaning, wipe the surface with a leather and vinyl cleaner or a mild soap.

Cleaning the Safety Belts

Clean the safety belts with any mild soap solution that is recommended for cleaning upholstery or carpets. Do not bleach or dye the belt webbing because this may weaken it.

Cleaning the Interior Lamps

Your interior dome lamps and map lamps are plastic and should be cleaned with a mild detergent diluted in water. Rinse them with clear water.

Vehicle Storage

Maintenance Tips

If you plan on storing your vehicle for an extended period of time (60 days or more), refer to the following maintenance recommendations to ensure your vehicle stays in good operating condition.

General

- Store all vehicles in a dry, ventilated place.
- Protect from sunlight, if possible.
- If vehicles are stored outside, they require regular maintenance to protect against rust and damage.

Body

- Wash vehicle thoroughly to remove dirt, grease, oil, tar or mud from exterior surfaces, rear wheel housing and underside of front fenders.
- Periodically wash vehicles stored in exposed locations.
- Touch-up raw or primed metal to prevent rust.
- Cover chrome and stainless steel parts with a thick coat of auto wax to prevent discoloration. Re-wax as necessary when the vehicle is washed.
- Lubricate all hood, door and trunk lid hinges and latches with a light grade oil.
- Cover interior soft trim to prevent fading.
- Keep all rubber parts free from oil and solvents.

Engine

- Start engine every 15 days. Run at fast idle until it reaches normal operating temperature.
- With your foot on the brake, shift through all the gears while the engine is running.

Fuel system

- Fill fuel tank with high-quality unleaded fuel until the first automatic shutoff of the fuel pump nozzle.

NOTE: During extended periods of vehicle storage (60 days or more), fuel may deteriorate due to oxidation. This can damage rubber and other polymers in the fuel system and may also clog small orifices.

Ford Gas Stabilizer should be added whenever actual or expected storage periods exceed 60 days. Follow the instructions on the label. The vehicle should then be operated at idle speed to circulate the additive throughout the fuel system.

Maintenance and Care

A volatile corrosion inhibitor added to the fuel system will protect the fuel system's inner surfaces from corrosion. Follow the instructions packaged with the product.

Cooling system

- Protect against freezing temperatures.

Battery

- Check and recharge as necessary.
- Keep connections clean and covered with a light coat of grease.

Brakes

- Make sure brakes and parking brake are fully released.

Tires

- Maintain recommended air pressure.

Miscellaneous

- Make sure all linkages, cables, levers and clevis pins under vehicle are covered with grease to prevent rust.
- Move vehicles at least 25 feet (8 m) every 15 days to lubricate working parts and prevent corrosion.

Capacities and Specifications

Motorcraft Parts

Engine	Motorcraft Part Numbers		
	2.3L (140 CID) EFI	3.0L (183 CID) EFI	4.0L (245 CID) EFI
Spark Plug ^① - Platinum	AWSF-32F ^②	AWSF-32PP*	AGRF-22P
Air Filter	FA-1616	FA-1616	FA-1616
Fuel Filter	FG-872	FG-872	FG-872
Oil Filter	FL-1A	FL-400A	FL-1A
Battery Standard Optional	BXT-58 BXT-65-650	BXT-58 BXT-65-650	BXT-58 BXT-65-650
P.C.V. Valve	EV-147	EV-130	EV-225
<p>① Refer to Vehicle Emission Control Identification Decal for spark plug and gap specifications.</p> <p>② Two spark plugs per cylinder required (8 total).</p> <p>* If any spark plug needs to be removed for examination, each spark plug removed must be reinstalled in the same cylinder. Cylinders #1, #2, and #3 have a "PG" suffix. Cylinders #4, #5, and #6 have a "P" suffix. If any spark plug needs to be replaced, use only spark plugs with the service part number suffix letters "PP" as shown on the engine decal.</p>			

Refill Capacities, Motorcraft Parts, and Lubricant Specifications

Fluid	Vehicle Type	Capacity
Axle; front	Dana 365 front axle (4.0L) Dana 28 front axle (2.3L /3.0L)	3.5 pts. (1.7 L) ³ 3.0 pts. (1.4 L) ⁴
Axle; rear ⁵	Ford conventional and Traction-Lok 7.5" Ford conventional and Traction-Lok 8.8"	5.0 pts. (2.4 L) 5.0 pts. (2.4 L)
Brake Fluid	All	Fill to line in reservoir ²
Clutch Fluid (if equipped)	All	Fill to line in reservoir ²
Engine Coolant	2.3L (140 CID) without A/C 2.3L (140 CID) with A/C 3.0L (182 CID) without A/C 3.0L (182 CID) with A/C 4.0L (245 CID) without A/C 4.0L (245 CID) with A/C	6.5 qts. (6.2 L) 7.2 qts. (6.8 L) 9.5 qts. (9.0 L) 10.2 qts. (9.6 L) 7.8 qts. (7.4 L) 8.6 qts. (8.1 L)
Engine Oil ¹	2.3L (140 CID) 3.0L (182 CID) 4.0L (245 CID)	5.0 qts. (4.7 L) 4.5 qts. (4.3 L) 5.0 qts. (4.7 L)
Fuel	Regular Cab Standard Optional SuperCab	17.0 gal (64.3 L) 20.0 gal (75.7 L) 20.5 gal (77.6 L)
Power Steering Fluid	All	Fill to line in reservoir ²
Transfer Case Fluid	Warner 13-54	2.5 pts (1.2 L)
Transmission Fluid; automatic	4R44E 4x2 4R44E 4x4 5R55E 4x2 5R55E 4x4	9.5 qts. (9.0 L) 9.8 qts. (9.3 L) 9.5 qts. (9.0 L) 9.8 qts. (9.3 L)
Transmission Fluid; manual	Mazda R-1	5.6 pts. (2.65 L)

¹ Includes 1 quart for filter replacement.

² Refer to *Maintenance and Care* for refill instructions.

³ Fill with 56 oz. ± 1/8" (3mm) to bottom of fill hole.

⁴ Fill with 48 oz. ± 1/8" (3mm) to bottom of fill hole.

⁵ Fill to 1/4" to 9/16" below bottom of fill hole.

Capacities and Specifications

Lubricant Specifications

Fluid	Ford Part Name or Equivalent	Ford Part Number	Ford Specification
Axle fluid; front	4x4 Gear Oil	F1TZ-19580-A	WSL-M2C191-A
Axle fluid; rear ¹	Thermally Stable Rear Axle Lubricant SAE 80W90	XY-80W90-QL	WSP-M2C197-A
Brake Fluid and Clutch Fluid	High Performance DOT 3 Brake Fluid	C6AZ-19542-AB	ESA-M6C25-A
Engine Coolant	Premium Cooling System Fluid	E2FZ-19549-AA	ESE-M97B44-A
Engine Oil	Motorcraft Motor Oil 5W-30 Super Premium	XO-5W30-QSP	WSS-M2C153-F with API Certification Mark
Grease; Body Hinges and Hood Latch	Multi-Purpose Grease	D0AZ-19584-AA	ESB-M1C93-A or ESB-M1C159-A
Grease; Steering Column Joints, Clutch Linkage Pivots and Clevises and Transmission Control Linkage Pivots	Premium Long-Life Grease	XG-1-C or K	ESA-M1C75-B
Parking brake cable lubricant	Speedometer Cable Lubricant	E6TZ-19581-A	ESF-M1C160-A
Power Steering Fluid, Transfer Case Fluid, and Manual Transmission Fluid	Motorcraft MERCON® AFT	XT-2-QDX	MERCON®

¹ Add 4 oz. (118.3 Mls) of Friction Modifier EST-M2C118-A (Ford Part No. C8AZ-19B546-A) for a complete refill of Ford Traction-Lok Rear Axles.

Fluid	Ford Part Name or Equivalent	Ford Part Number	Ford Specification
Steering Gear Lubricant	Steering Gear Lubricant Grease	C3AZ-19578-A	ESW-M1C87-A
Transmission Fluid; automatic	Motorcraft MERCON®V ATF	XT-5-QM	MERCON®V
Windshield Washer Fluid	Ultra-Clear Windshield Washer Concentrate	C9AZ-19550-AC or BC	ESR-M17P5-A
Wheel Bearing Lubricant	High Temperature 4x4 Front Axle and Wheel Bearing Grease	E8TZ-19590-A	ESA-M1C198-A

Reporting Safety Defects (U.S. Only)

Reporting Safety Defects (U.S. Only)

If you believe that your vehicle has a defect which could cause a crash or could cause injury or death, you should immediately inform the National Highway Traffic Safety Administration (NHTSA) in addition to notifying Ford Motor Company.

If NHTSA receives similar complaints, it may open an investigation, and if it finds that a safety defect exists in a group of vehicles, it may order a recall and remedy campaign. However, NHTSA cannot become involved in individual problems between you, your dealer, or Ford Motor Company.

To contact NHTSA, you may either call the Auto Safety Hotline toll-free at 1-800-424-9393 (or 366-0123 in the Washington, D.C. area) or write to: NHTSA, U.S. Department of Transportation, 400 Seventh Street, Washington D.C. 20590. You can also obtain other information about motor vehicle safety from the Hotline.

Customer Assistance

Roadside Assistance

Ford Motor Company has set up a 24-hour, seven-day-a-week hotline with trained operators who put you in touch with the help you need if you experience a problem with your vehicle. This complimentary service is provided to you throughout your warranty period of 3 years or 36,000 miles (60,000 km), whichever comes first. To purchase Roadside Assistance coverages beyond this period (available through Ford Auto Club in the United States or Ford and Lincoln-Mercury dealers in Canada), contact your Ford or Lincoln-Mercury dealer. Additional Roadside Assistance coverage is unavailable in Puerto Rico and the Virgin Islands.

Roadside Assistance will cover the following:

- Mount your spare if you have a flat tire.
- Jump-start your battery if it is dead.
- Unlock your vehicle if you are locked out.
- Bring you fuel if you run out.
- Tow your vehicle if you are stranded. Even non-warranty related tows, like accidents or getting stuck in mud or snow, are covered (some exclusions apply, such as impound towing and repossession).

How to use Roadside Assistance

Your Roadside Assistance identification card can be found in the Owner Guide portfolio in your glove compartment. Complete the card and place it in your wallet for quick reference.

To receive roadside assistance in the United States call 1-800-241-FORD (in Canada call 1-800-665-2006).

Should you need to arrange for roadside assistance yourself, Ford Motor Company will reimburse the reasonable cost. To obtain information about reimbursement call 1-800-241-FORD (in Canada call 1-800-665-2006).

If You Have a Service Problem

Ford Motor Company has authorized Ford and Lincoln-Mercury dealerships that can service your vehicle for you. This chapter tells you how to get service or maintenance for your vehicle.

Service/Maintenance Concerns (U.S. or Canada)

Ford recommends taking your vehicle to your selling dealer who wants to ensure your continued satisfaction. You may, however, take your vehicle to any authorized Ford or Lincoln-Mercury dealer. In most cases, your dealer will be able to resolve your concern.

If you are not satisfied with the service you received from your dealership's service department, talk to the service manager at the dealership, or if you still are not satisfied, talk to the owner or general manager of the dealership. In most cases, you will have your concern resolved at this level.

If you are away from home when your vehicle needs to be serviced, or if you need more help than the dealer gave you, contact the Ford Customer Assistance Center to find an authorized dealership that may be able to help you.

Please have the following information available when contacting Ford Customer Assistance:

- your telephone number (both business and home)
- the name of the dealer and the city where the dealership is located
- the year and make of your vehicle
- the date purchased
- the current mileage on your vehicle
- your Vehicle Identification Number (VIN) listed on your vehicle ownership license

Customer Assistance

In the United States, contact:

**Ford Motor Company
Customer Assistance Center
300 Renaissance Center
P.O. Box 43360
Detroit Michigan 48243
1-800-392-3673 (FORD)
(TDD for the hearing impaired: 1-800-232-5952)**

In Canada, contact:

**Customer Assistance Centre
Ford Motor Company of Canada, Limited
P.O. Box 2000
Oakville, Ontario L6J 5E4
1-800-565-3673 (FORD)**

If you still have a complaint involving a warranty dispute, you may wish to contact the Dispute Settlement Board (U.S. only) or the Canadian Motor Vehicle Arbitration Plan (CAMVAP) in Canada.

A warranty dispute must be submitted to the Dispute Settlement Board before taking action under the Magnuson-Moss Warranty Act, or to the extent allowed by state law, before pursuing replacement or repurchase remedies provided by certain state laws. This dispute handling procedure is not required prior to enforcing state created rights or other rights which are independent of the Magnuson-Moss Warranty Act or state replacement or repurchase laws.

The Dispute Settlement Board (U.S. only)

The Dispute Settlement Board is:

- an independent, third-party arbitration program for warranty disputes
- available free to owners and lessees of qualifying Ford Motor Company vehicles

The Dispute Settlement Board may not be available in all states. Ford Motor Company reserves the right to change eligibility limitations, modify procedures and/or discontinue this service without notice and without incurring obligations.

What Kinds of Cases Does the Board Review?

The Board reviews all warranty performance complaints on Ford, Mercury and Lincoln cars and Ford and Mercury light trucks under the new vehicle limited warranty that have not been resolved by either a dealer or Ford Motor Company, except those involving:

- a non-Ford product
- a non-Ford dealership
- a vehicle sales transaction
- request for reimbursement of consequential expenses. Expenses incidental to the warranty complaint being reviewed are eligible for consideration
- items not covered by the new vehicle limited warranty
- items covered by a service contract
- alleged liability claims
- property damage where the damage is significant when compared to the economic loss alleged under the warranty dispute

Customer Assistance

- cases currently in litigation
- vehicles not used primarily for family, personal or household purposes (except in states where the Dispute Settlement Board is required to review commercial vehicles)

Complaints involving vehicles in which applicable new vehicle limited warranties have expired at receipt of your application are not eligible. Eligibility may differ according to state law. For example, see the unique brochures for California and Wisconsin purchasers/lessees.

How does the Board Work?

The Board consists of:

- three consumer representatives
- a Ford or Lincoln/Mercury dealer

Consumer candidates for Board membership are recruited and trained by an independent consulting firm. Dealers are chosen because of their business leadership qualities.

What the Board needs

To have your case reviewed you must complete the application in the DSB brochure and mail it to the address provided on the application form.

Your application is reviewed and, if it is determined to be eligible, you will receive an acknowledgment indicating:

- the file number assigned to your application
- the toll-free phone number of the DSB's independent administrator

Your dealership and a Ford Motor Company representative are asked to submit statements at this time.

To review your case properly, the Board needs the following information:

- legible copies of all documents and maintenance or repair orders relevant to the case
- the year, make, model and Vehicle Identification Number (VIN) listed on your vehicle ownership license
- the date of repair(s) and mileage at the time of occurrence(s)
- the current mileage
- the name of the dealer who sold or serviced the vehicle
- a brief description of your unresolved concern
- a brief summary of the action taken with the dealer and Ford Motor Company
- the names (if known) of all the people you contacted at the dealership
- a description of the action you expect to resolve your concern

Should your case NOT qualify for review, a letter of explanation will be mailed to you.

Oral presentations

If the involved vehicle is within 36 months and 36,000 miles of the warranty start date, you have the right to make an oral presentation before the Board. Indicate your choice to do so on the application. Oral presentations may also be requested by the Board.

Making a decision

Board members will review all available information related to the complaint, including oral presentations, if necessary. They then arrive at a fair and impartial decision, decided by a simple majority vote.

Customer Assistance

Because the Board usually meets only once a month, some cases may take longer than 30 days to be reviewed. The Board makes every effort to resolve each case within 40 days of receiving the consumer application form.

After a case is reviewed, the Board mails you a decision letter. The Board also provides a form on which to accept or reject the Board's decision. The decisions of the Board are binding on the dealer and Ford, but not on consumers who may elect to pursue other remedies available to them under state and federal law. Decisions of the Board may be presented as evidence by any party in subsequent legal proceedings that may be initiated, where allowed by law.

To Request a DSB Brochure/Application

For a brochure/application, speak to your dealer or write to the Board at the following address:

*Dispute Settlement Board
P.O. Box 5120
Southfield, MI 48086-5120*

Ford of Canada Customer Assistance

Ford Motor Company of Canada, Limited

If you live in Canada and have any questions or concerns that the dealership cannot answer, contact the Customer Assistance Centre.

**Ford Motor Company of Canada, Limited
Customer Assistance Centre
P.O. Box 2000
Oakville, Ontario L6J 5E4
1-800-565-3673 (FORD)**

Please have the following information available when contacting the Customer Assistance Centre:

- your telephone number (both business and home)
- your Vehicle Identification Number (VIN) listed on your owner card and/or your vehicle ownership license.
- the year and make of your vehicle
- the date purchased
- the name of the dealer and the city where the dealership is located
- the current mileage on your vehicle.

Customer Assistance

Mediation/Arbitration Program (Canada only)

In those cases where you continue to feel that the efforts by Ford and the dealer to resolve a factory-related vehicle service concern have been unsatisfactory, Ford of Canada participates in an impartial third party mediation/arbitration program administered by the Canadian Motor Vehicle Arbitration Plan (CAMVAP).

The CAMVAP program is a straight-forward and relatively speedy alternative to resolve a disagreement when all other efforts to produce a settlement have failed. This procedure is without cost to you and is designed to eliminate the need for lengthy and expensive legal proceedings.

In the CAMVAP program, impartial third-party Arbitrators conduct hearings at mutually convenient times and places in an informal environment. These impartial Arbitrators review the positions of the parties, make decisions and, where appropriate, render awards to resolve disputes. CAMVAP decisions are fast, fair and final as the arbitrator's award is binding on both you and Ford of Canada.

CAMVAP services are available in all territories and provinces, except Quebec. For more information, without charge or obligation, call your CAMVAP Provincial Administrator directly at 1-800-207-0685.

Getting Help Outside the U.S. and Canada

Before you export your vehicle to a foreign country, contact the appropriate foreign embassy or consulate to make sure local regulations do not prevent you from registering your vehicle. Officials at the embassy can also help you decide whether you should import your vehicle to that country.

Officials at the embassy or consulate can tell you where to get unleaded fuel. If you cannot get unleaded fuel or can get only fuel with an anti-knock index that is lower than your vehicle

needs, contact a district or owner relations office before you leave the U.S. or Canada.

Use of leaded fuel in your vehicle without a proper conversion may damage the effectiveness of your emissions control system and may cause engine knocking or serious engine damage. Ford Motor Company is not responsible for any damage that is caused by use of improper fuel.

You may also have difficulty importing your vehicle back into the U.S. if you use leaded fuel.

If your vehicle must be serviced while you are traveling or living in Central or South America, the Caribbean, or the Middle East, contact the nearest Ford dealership. If the dealership cannot help you, write to:

*FORD MOTOR COMPANY
WORLDWIDE EXPORT OPERATIONS
1555 Fairlane Drive
Fairlane Business Park #3
Allen Park, Michigan 48101
U.S.A.
Telephone: (313) 594-4857
Fax: (313) 390-0804*

If you are in other foreign countries, contact the nearest Ford dealership. If the dealership cannot help you, they can direct you to the appropriate Ford affiliate office.

If you buy your vehicle in North America and then relocate outside of the U.S. or Canada, register your Vehicle Identification Number and new address with Ford Motor Company Export Operations.

Accessories

Ford Accessories for Your Vehicle

Ford has many fine products available from your dealer to clean your vehicle and protect its finishes. For best results, use the following, or products of equivalent quality:

- Ford or Motorcraft Custom Clear Coat Polish
- Ford Custom Silicone Gloss Polish
- Ford Custom Vinyl Protectant or Motorcraft Vinyl Conditioner and Cleaner
- Ford Deluxe Leather and Vinyl Cleaner (U.S. Only)
- Ford Extra Strength Spot and Stain Remover (U.S. Only)
- Ford Extra Strength Tar and Road Oil Remover
- Ford Extra Strength Upholstery Cleaner (U.S. Only)
- Ford Extra Strength Whitewall Tire Cleaner
- Ford or Motorcraft Multi-Purpose Cleaner
- Ford Premium Car Wash Concentrate or Motorcraft Car Wash

A wide selection of accessories is available through your local authorized dealer. These fine accessories have been engineered specifically to fulfill your automotive needs. They are custom designed to complement the style and aerodynamic appearance of your Ford-built vehicle. In addition, each accessory is made from high quality materials and meets or exceeds Ford's rigid engineering and safety specifications. That is why Ford brand accessories are warranted for up to 12 months or 12,000 miles (20,000 km), whichever comes first. See your dealer for complete warranty information and accessory availability.

Safety, Comfort, and Convenience

Comfort and Convenience

Air Conditioner
Engine Block Heater

Protection and Appearance Equipment

Bed Hooks
Bed Liner
Bed Mat
Bikini Hood Cover
Box Rails
Bumper Guards
Bumper, Rear Step
Bumper, Rear Tubular
Cargo Retention Net
Cleaners
Door Edge Guards
Floor Mats, Carpeted, Molded Vinyl
Front End Cover
Hood Deflector
Lubricants
Rally Bars
Running Boards
Super Seal Fabric Protector (U.S. only)
Super Seal Undercoating (U.S. only)
Touch-Up Paints
Polishes
Side Window Deflector
Wheel Splash Guards (Flat)

Safety Equipment

Styled Wheel Protector
Lug Nuts (Alum. Wheels only)
Vehicle Security System
Remote Keyless Entry
Tailgate Protector
Tailgate Lock

Travel Equipment

Heavy Duty Battery
Off Road Lights
Speed Control
Trailer Hitch, Class II

Accessories

NOTE: When adding accessories, equipment, passengers, and luggage to your vehicle, do not exceed the total weight capacity of the vehicle or of the front or rear axle (GVWR, GAWR as shown on the Safety Compliance Certification Label). Consult your dealer for specific weight information.

NOTE: The Federal Communications Commission (FCC) or the Canadian Radio Telecommunications Commission (CRTC) regulates the use of mobile communications systems — such as two-way radios, telephones, and theft alarms — that are equipped with radio transmitters. Any such equipment installed in your vehicle should comply with FCC or CRTC regulations and should be installed only by a qualified technician.

NOTE: Mobile communications systems may harm the operation of your vehicle, particularly if they are not properly designed for automotive use or are not properly installed. For example, when operated, such systems may cause the engine to stumble or stall. In addition, such systems may themselves be damaged or their operation affected by operating your vehicle. (Citizens band [CB] transceivers, garage door openers, and other transmitters whose power output is 5 watts or less will not ordinarily affect your vehicle's operation.)

NOTE: Because we have no control over the installation, design, or manufacture of such systems, Ford cannot assume responsibility for any adverse effects or damage that may result if you use this equipment.

**FOR INFORMATION ON
ORDERING SERVICE
PUBLICATIONS, CONTACT:**

**U.S. RESIDENTS
CALL**

HELM, INCORPORATED

1-800-782-4356

**Monday - Friday 8:00 A.M. - 6:30 P.M. EST
For Credit Card Holder Orders Only**

**CANADIAN RESIDENTS
CALL**

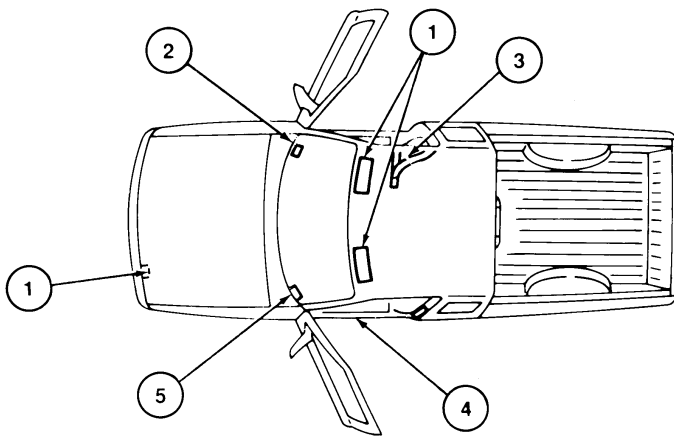
Ford Motor Company of Canada, Ltd.

1-800-387-4966

**Monday - Friday 8:00 A.M. - 6:30 P.M. EST
For Credit Card Holder Orders Only**

All rights reserved. Reproduction by any means, electronic or mechanical including photocopying, recording or by any information storage and retrieval system or translation in whole or part is not permitted without written authorization from Ford Motor Company.

Copyright © 1996 Ford Motor Company

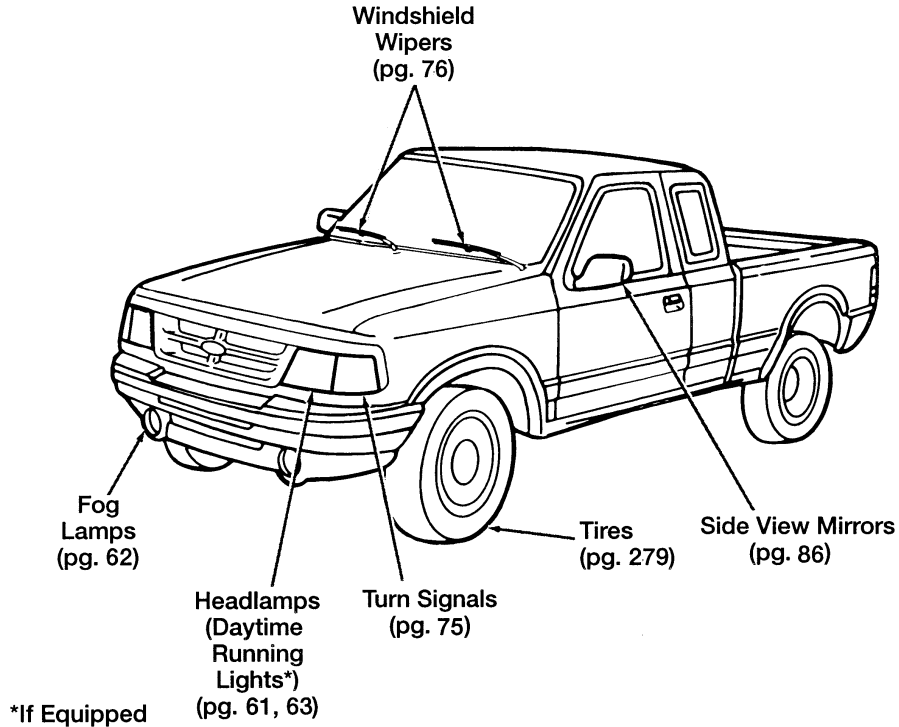


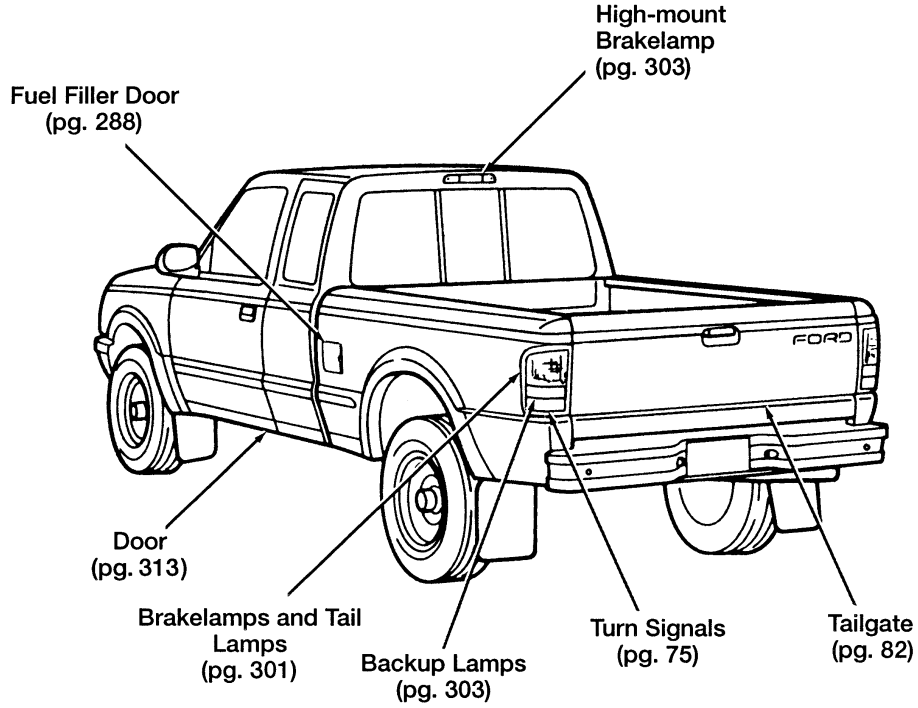
No.	Description	Refer to this label for information regarding:
1	Air Bag Warning Label	Air bag precautions
2	Fuel Pump Shut Off Label	Fuel pump shut off location
3	Child Seat Label	Child seat installation precautions
4	Safety Compliance Certification Label	Name and date of manufacturer, GVWR*, GAWR**, wheel and tire information
5	Vehicle Identification Number (VIN) Label	Servicing or warranty information specific to your vehicle

* Gross Vehicle Weight Rating ** Gross Axle Weight Rating

X E U Z - X O - C P

Front exterior view





© - O - K - E - M - X

Entrance View

Automatic Transmissions (pg. 164)
Manual Transmissions (pg. 170)

Flash-to-Pass/
High Beam
(pg. 61)

Turn Signals
(pg. 75)

Fuse
Panel
(pg. 220)

Windshield Wash/
Wipe
(pg. 76)

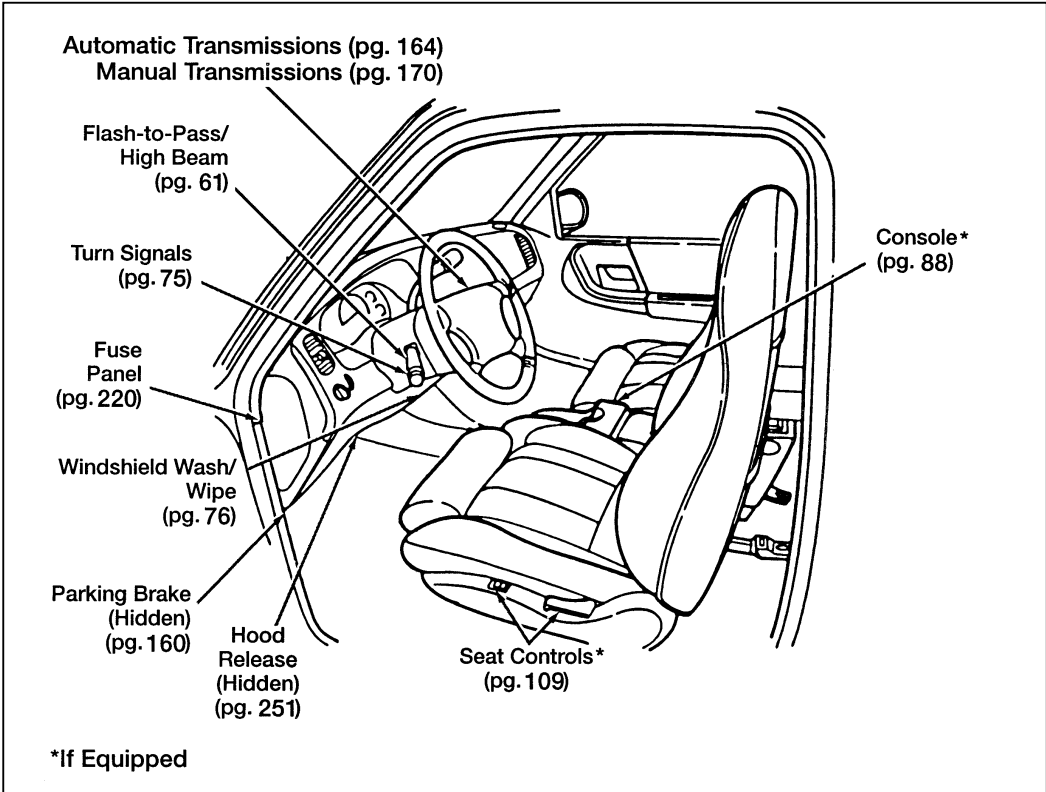
Parking Brake
(Hidden)
(pg. 160)

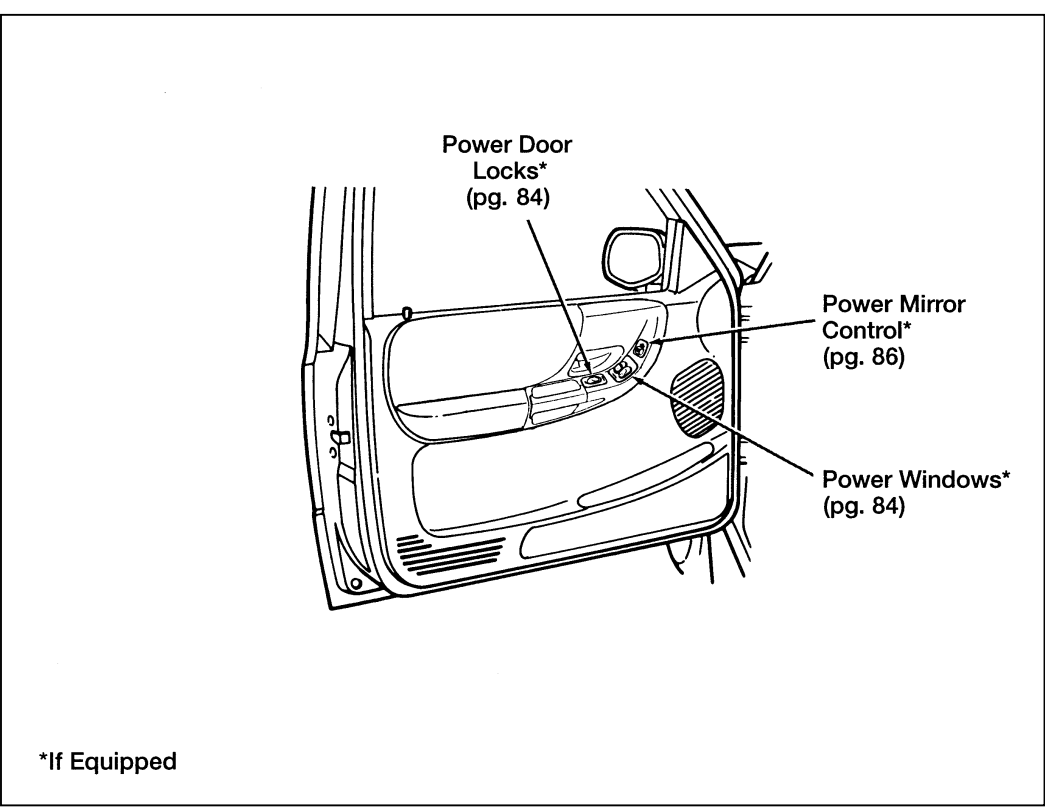
Hood
Release
(Hidden)
(pg. 251)

Seat Controls*
(pg. 109)

Console*
(pg. 88)

*If Equipped

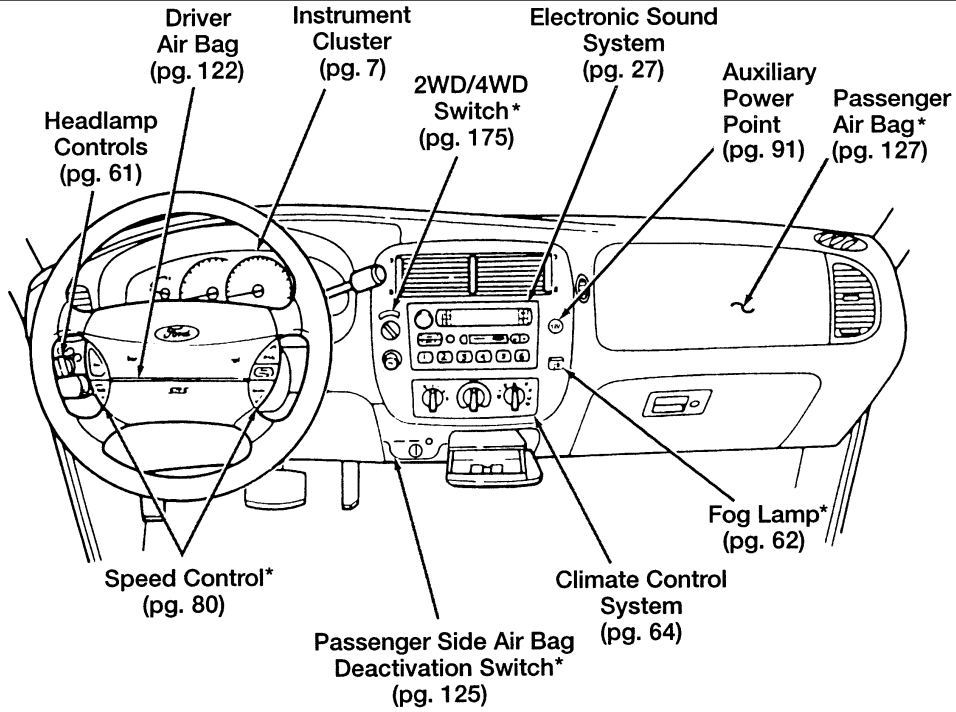




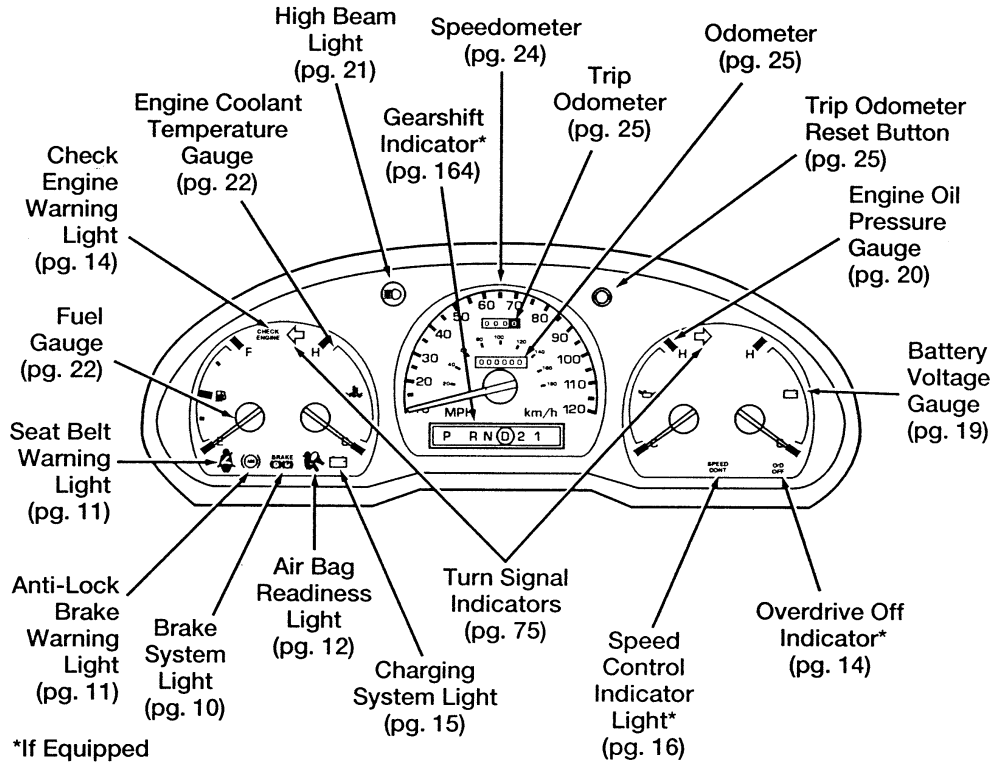
Driver's door

*If Equipped

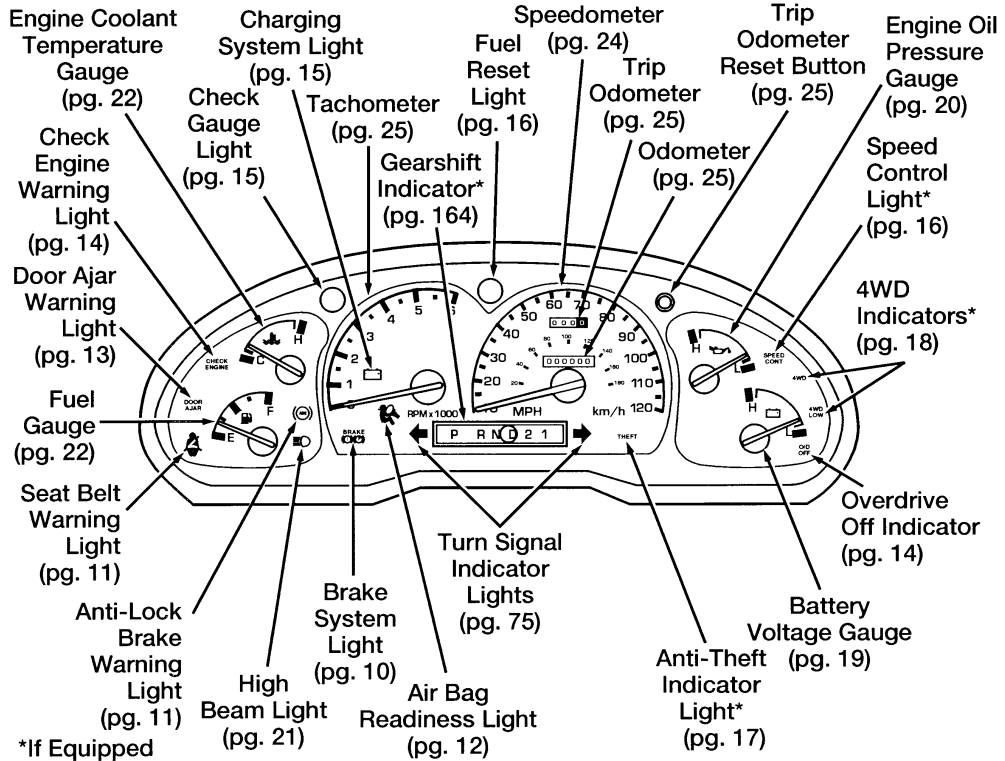
Instrument panel

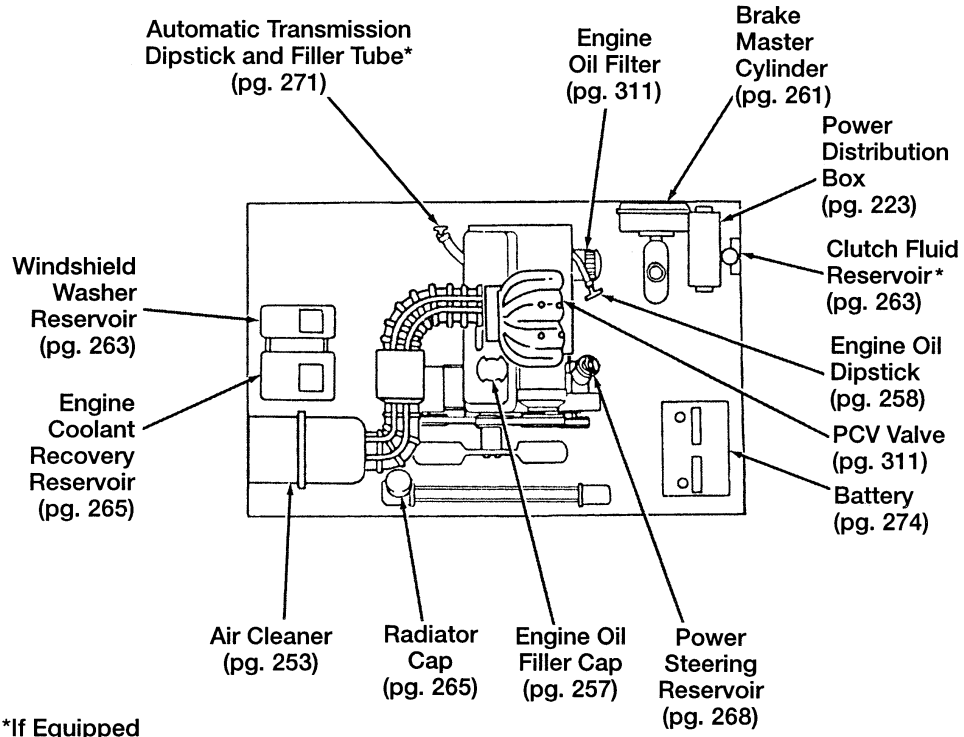


*If Equipped



Instrument cluster with tachometer

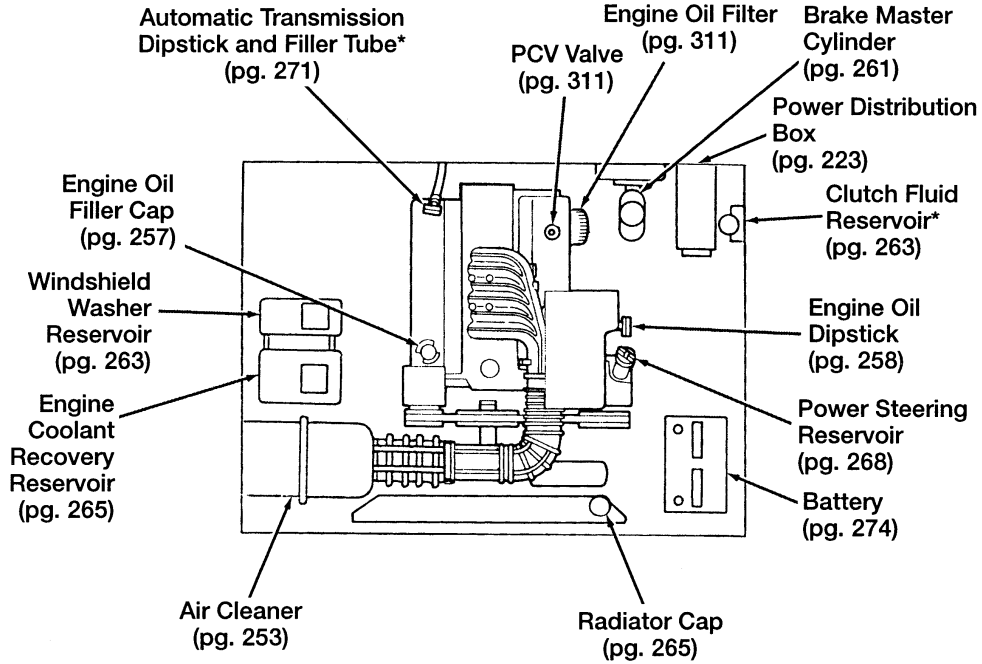




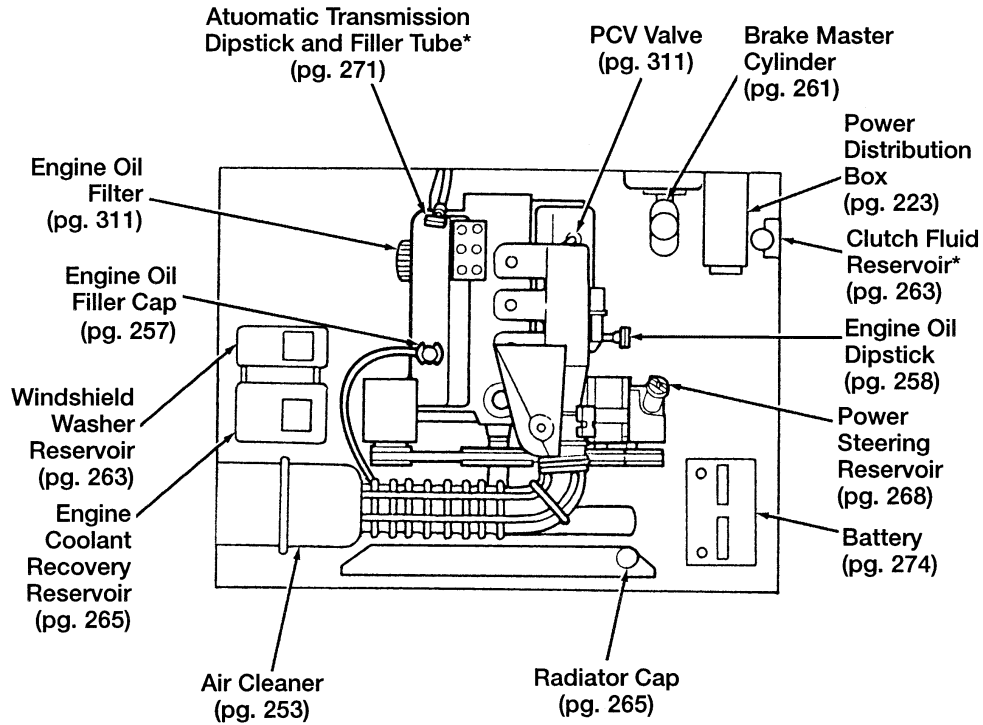
*If Equipped



The 3.0L engine compartment



*If Equipped



*If Equipped



A

Accessory position on the ignition.	73
Additives, engine oil.	257
Air bag supplemental restraint system and child safety seats	133
description	122, 127
disposal	131
driver air bag.	122, 127
indicator light.	12
operation.	127
passenger air bag	127
proper seating	123
service and information labels	127
tone generator	129, 131
wearing safety belts	123
Air cleaner filter location	253
specifications	311
Alarm, activating remote personal.	94
Ambulance packages.	5
Antenna, radio (see Electronic sound system).	27, 55
Antifreeze (see Engine coolant)	265
Anti-lock brake system (ABS) description	155
noise.	157
see also Brake.	155
warninig light.	10
Anti-theft system arming the system.	98
description	98
disarming an untriggered system	99
disarming a triggered system.	99
triggering.	98
Appeals (see Dispute settlement board)	320
Assistance (see Customer assistance).	317

Audio system (see Electronic sound system)	27
Autolamp system (see Headlamps)	63
Automatic transmission	
fluid, adding	273
fluid, checking	272
fluid, specification.	313
Axle	
lubricant specifications.	313
traction lok.	170

B

Basic vehicle warranty	3
Battery	
acid, treating emergencies	238, 275
battery saver	97
charging system warning light	15
disconnecting.	241
how to service	274
jumping a disabled battery.	237
maintenance-free	274
proper disposal, recycling	275
replacement, specifications	311
servicing	274
voltage gauge	15, 19
when storing your vehicle	309
Brake fluid	
brake warning light	10
checking and adding	261
description	261
specifications	313
Brakes	
adjustment	155
anti-lock	155
applying the brakes	159
brake warning light	10
fluid, checking and adding.	261
fluid, refill capacities	261
fluid, specifications	313

Index

Brakes (continued)	
front disc	155
if brakes do not grip well	158
master cylinder	261
new brake linings	5
noise	155, 158
parking	160
power braking	155
rear anti-lock	155
servicing	158, 261
stopping distances	159
trailer	212
when storing your vehicle	309
Brake-shift interlock	165
Break-in period	5
Brights (high beams)	21
Bulbs, replacing	
halogen	299
headlamps	299
C	
Canada, customer assistance	324
Canada, warranty information	3
Carbon monoxide in exhaust	152
Car seats for children (see Child safety seats)	133
Catalytic converter	295
Chains, tires	286
Changing a tire	227
Charging system gauge	19
Charging system warning light	15
Child safety restraints	
child safety belts	144
child safety seats	133

Child safety seats	
and air bags	133
attaching with tether straps	143
automatic locking mode (retractor)	114, 133
in front seat	133
in rear outboard seat	133
in rear seat	133
tether anchorage hardware.	143
Chime	
headlamps on	21
key in ignition	21
safety belt	11
Circuit breakers, see also fuses	218
Cleaning your vehicle	
chrome and aluminum parts	305
engine compartment.	306
exterior	304
exterior lamps	306
fabric	306
headlamps	306
instrument panel	305
interior.	306
interior lamps	307
mirrors.	86
plastic parts	305
polishing.	305
rustproofing	305
safety belts	307
tail lamps	306
upholstery and interior trim	306
washing	304
waxing.	305
wheels	287

Index

Climate control system	64
Clock	34, 55
Clutch	
fluid	263
fluid reservoir	261, 263
operation while driving	170
recommended shift speeds	173
shifting the gears	171
specifications	313
Cold engine starting	148
Combination lap and shoulder belts	110, 112
Controls	
mirrors	86
power seat	109
Convenience kit in cargo area	229
Coolant (see Engine coolant)	
checking and adding	265
preparing for storage	309
specifications	313
temperature gauge	22
warnings	265
Cooling fan	250
Crankcase emission filter	311
Customer Assistance Centre, Ford of Canada	324

D

Daytime running light system	63
Defects, reporting	315
Defrost, windshield	67, 70
Dipstick	
automatic transmission fluid	271, 273
engine oil	258
power steering fluid	268
Disabled vehicle (see Towing).	242

Doors	
lubricant specifications.	313
Driveline universal joint and slip yoke	271
Driving under special conditions, heavy load	187

E

Electrical system	
fuses.	218, 224
operating when the engine is off	73
relays	225
Electronic sound system	
accessory delay	73
radio reception	55
tuning the radio	29, 46
warranty and service information.	58
Emergencies, roadside	
assistance	317
battery acid spills	238, 277
fuel	292
jump-starting	237
towing	242
Emergency brake (parking brake)	158, 160
Emission control system	
catalytic converter.	295
emissions warranty	3, 295
Engine	
check engine warning light	14
does not start.	149
fuel injected engine, starting	147
fuel pump shut-off switch	150
preparing to start	147
service points.	253
starting	148
starting after a collision	150
storing your vehicle.	307

Index

Engine block heater	150
Engine coolant	
checking and adding	265
checking hoses	267
disposal	250, 261, 273
preparing for storage	309
proper solution	250, 261, 273
recovery reservoir	253
specifications	313
temperature gauge	22
Engine coolant temperature gauge	
description	22
mechanical	22
Engine coolant temperature gauge:electronic	22
Engine fan	250
Engine:idle speed control	149
Engine oil	
changing oil and oil filter	258, 260
checking and adding	258
dipstick	258
disposal	250, 261, 273
engine oil pressure gauge	20
filter, specifications	311
specifications	257, 313
synthetic oil	257
“break-in” oils	5
viscosity	257
Entry system	
illuminated	97
remote	93
Exhaust fumes.	152
Extended Service Plan, Ford	4

F

Fan, engine fan, avoiding injury	250
Federal Communications Commission	57
Flashers, hazard	217
Flat tire	227
Ford Extended Service Plan	4
Ford Motor Company of Canada	324
Ford of Canada Customer Assistance Centre	324
Foreign registration	325
Four-Wheel Drive vehicles	
description	175
lever operated	179
special driving instructions.	186
special notice	5
Four-wheeling with Ford supplement	5
French owner guides, how to obtain	3
Fuel	
calculating fuel economy.	294
choosing the right fuel	290
comparisons with EPA fuel economy estimates	294
filling your vehicle with fuel.	288
filter, specifications	311
fuel filler door release lever	288
fuel gauge	22
improving fuel economy.	294
octane rating	290
quality	290
running out of fuel	293
safety information relating to automotive fuels.	292
storing your vehicle	308
treating emergencies.	292
Fuel cap	
removing.	288
replacing.	288

Index

Fuel filler door	
override, manual	288
remote release	288
Fuel filter, specifications	311
Fuel gauge	22
Fuel pump shut-off switch	
engine does not start	150
starting after a collision	150
Fuse panels	
instrument panel	224
power distribution box	223
Fuses	
charts	218, 224
checking and replacing	224

G

Gas cap (see Fuel cap)	288
Gas mileage (see Fuel economy)	290, 294
Gasoline (see Fuel).	288
Gauges, Electronic	
engine coolant temperature gauge	22
fuel gauge	22
odometer	25
speedometer	24
Gauges, Mechanical	
battery voltage gauge	19
charging system gauge.	19
engine coolant temperature gauge	22
engine oil pressure gauge	20
fuel gauge	22
odometer	25
speedometer	24
tachometer	25
trip odometer	25

GAWR (Gross Axle Weight Rating)	
calculating	196
definition.	187, 194
driving with a heavy load	187
location	194
Gearshift	
automatic operation	164
column-mounted	164
floor-mounted	171
gearshift override	165
locking the gearshift.	73
positions	164, 171
shifting the gears	164, 171
shift-lock	165
Gearshift:shifting the gears	164, 171
GVWR (Gross Vehicle Weight Rating)	
calculating	196
definition.	187, 194
driving with a heavy load	187
location	194

H

Hazard flashers	217
Headlamps	
aiming	298
checking alignment	298
cleaning	306
daytime running lights	63
replacing bulbs	298
turning on and off	61
warning chime	21
High beams	
indicator light	21
operation.	61
Hitch.	211

Index

Hood	
latch location	251
lubrication specifications	313
release lever	251
working under the hood	250
Hoses, checking	267

I

Identification Number, Vehicle (VIN)	318
Idle	
relearning	241, 250, 276
speed	149
Ignition	
chime	21
positions of the ignition	73
Indicator lights and chimes (see Lights)	7
Infant seats (see Safety seats)	131, 133
Instrument cluster, mechanical	10
Instrument panel	
lighting up panel and interior	64
registers	64
Interval wipers	76

J

Jack	
operation	230, 233
positioning	230, 233
storage	229
Jump-starting your vehicle	
attaching cables	239
disconnecting cables	241

K

Keys

key in ignition chime	21
positions of the ignition	73
stuck in lock position	73

L

Lamps

checking	298
combination cargo and brakelamp	72
daytime running light system	63
hazard flashers	217
headlamps	61
illuminated entry system.	97
instrument panel, dimming	64
interior lamps	61, 64
replacing bulbs	298
trailer	213
Lane change indicator (see Turn signal)	75

Lights, warning and indicator

air bag	12
brake	10
charging system	15
check engine	14
engine oil pressure	20
hazard warning light	217
high beam	21
oil pressure.	20
overdrive off	14
safety belt	11
service engine soon	14
turn signal indicator.	75

Load limits

GAWR.	187
GVWR.	187
trailer towing.	191

Index

Lubricant specifications.	313
Lug nuts	
standard	233
tightening sequence	230

M

Maintenance schedule and record (see separate Maintenance Schedule and Record booklet)	3
Maintenance (see Servicing).	249
Manual transmission	
clutch	170
fluid, checking and adding.	274
lubricant specifications.	313
shifting gears	171
shift speeds.	173
Master cylinder, brakes.	261
Mileage, calculating fuel economy.	294
Mirrors	
dual electric remote control	86
side view mirrors (power)	86
Motorcraft parts	311

N

National Highway Traffic Safety Administration	315
New vehicle break-in	5

O

Octane rating	290
Odometer	
description	25
trip odometer.	25
Oil filter	260, 311
Oil (see Engine oil)	257
Oil viscosity.	257
On-board diagnostic (OBD II) system	297
Overdrive.	167, 169
Overseas offices	325

P

Panic alarm feature, remote entry system	94
Parking brake	
operation.	160
warning light.	10
Parts (see Motorcraft Parts).	311
PCV valve, specifications.	311
Power distribution box (see Fuses)	223
Power door locks	84
Power features	
door locks	84
mirrors.	86
seats.	109
windows.	84
Power steering	
dipstick	268
driving with power steering	162
fluid, checking and adding.	268
fluid, specifications	313
servicing	162
Prop rod, hood	251

R

Radio (see Electronic sound systems)	27
Rear anti-lock brakes	155
description	155
Rear axle	
lubricant specification	313
traction lok.	170
Rear window	84
Regulations, National Highway Traffic Safety	
Administration.	315
Relays	225

Index

Remote entry system	
arming and disarming the anti-theft system	95
illuminated entry	97
locking/unlocking doors	94
panic alarm.	94
replacement/additional transmitters.	97
replacing the batteries	95
Reporting safety defects	315
Restraints, safety (see Safety restraints)	
adult.	101, 110
child	131
infant	131, 133
Reverse.	166
Roadside assistance	317
Roadside emergencies	217
Rotating the tires	281

S

Safety belts (see Safety restraints)	110
Safety chains, when towing a trailer.	212
Safety defects, reporting	315
Safety information relating to automotive fuels.	292
Safety restraints	
adjusting the safety belts.	112, 115, 118
automatic locking mode	114
automatic locking mode (retractor)	114
cleaning the safety belts	307
extension assembly	120
for adults.	110
for children.	131
for infants	131, 133
for pregnant women.	103, 110
lap and shoulder belts.	110, 112
maintenance	120

Safety restraints (continued)	
proper use	110
replacement	120
warning light and chime.	11
Safety seats for children	
and air bags	133
attaching with tether straps	143
automatic locking mode (retractor)	114, 133
in front seat	133
in rear outboard	133
in rear seat.	133
tether anchorage hardware.	143
Seat belts (see Safety restraints).	110
Seats	
adjusting the seat, manual	101
adjusting the seats, power	109
child safety seats	133
cleaning upholstery	306
reclining the seat	101
seatback release.	101
Serial number (VIN)	318
Service concerns.	318
Servicing your vehicle	
precautions when servicing	250
servicing when you tow	242
Shift-lock system	165
Shift positions (see Gearshift)	164, 171
Shoulder and lap belts (see Safety restraints).	110, 112
Shoulder belts (see Safety restraints)	112, 115
Side mirrors, adjusting.	86
Snowplowing	216
Snow tires and chains	286

Index

Spare tire	
changing the tire	227, 230
conventional spare	227, 229
finding the spare	229
removing the spare tire	229
storing the flat tire	229, 233
temporary spare.	227
Spark plugs, specifications	311
Special notice	
E-4WD vehicles	5
four wheel drive vehicles	5
Special Notice:four-wheel drive vehicles	186
Specification chart, lubricants	313
Speed control	
turning off	80
when towing a trailer	213
Speedometer	24
Starting your vehicle	
preparing to start your vehicle	147
starting a cold engine	148
starting after a collision	150
starting a warm engine	148
starting your vehicle if the battery is disabled	237
Steering, power	162
Steering wheel	
locking.	73
tilting	79
Storing your vehicle	307
Supplemental air bag readiness light	12
Supplemental Restraint System (SRS)	122

T

Tailgate	82
Tail lamps	
bulb replacement	298
cleaning	306
Temperature control (see Climate control)	64
Tether anchor installation (see Child restraints).	143
Tilt steering wheel.	79
Tires	
changing	227
checking the pressure	279
cleaning	287
inspection and maintenance	279
replacing	282
rotating	281
snow tires and chains	286
spare tire.	227, 229
storing your vehicle	309
tire grades	282
treadwear	282
wear bands.	282
wheel and tire matching.	286
Towing your vehicle	
using wheel dollies	242
with a tow truck	242
Traction control	170
Traction-lok rear axle	170
Trailer towing	
calculating maximum trailer weight.	196
safety chains	212
trailer brakes	212
trailer lamps	213
Transfer case	
fluid checking	274
lever operated	179

Index

Transmission	
automatic operation	164
fluid, checking and adding (automatic)	272
fluid, checking and adding (manual)	274
lubricant specifications	313
Transmitter (see Remote entry)	93
Trip odometer	25
Tune-up specifications (VECI)	297
Turn signal	
indicator lights	75
lever	75
U	
Used engine oil, disposal	250, 261, 273
V	
Variable interval wipers	76
VECI (Vehicle Emission Control Information) decal	297
Vehicle Identification Number (VIN)	318
Vehicle loading	
calculating the load	196
understanding loading information	187
Vehicle storage	307
Ventilating your vehicle (see Climate control)	64
Viscosity (see Engine oil)	257
Voltmeter (see Battery voltage gauge)	15, 19

W

Warm engine, starting	148
Warning chimes	
headlamps on	21
key in ignition	21
safety belt	11
Warning lights (see Lights)	7
Warranties	
basic	3
Canada	3
radio	58
Warranty Information Booklet	3
Washer fluid	76
Weight limits (GAWR, GVWR)	187
Wheel and tire matching	286
Wheel bearings, lubricant specifications	313
Wheel dollies (see Towing)	242
Wheels	
cleaning	287
covers	230, 233
inspection and maintenance	279
lug nuts	230
replacement	286
Windows	
manual windows, operating	84
one-touch down	84
power windows, operating	84

Index

Windshield	
defrosting	67, 70
washing	76
Windshield washer fluid and wipers	
checking and replacing wiper blades	277
operation	76
reservoir	263
specifications	264, 313
variable interval wipers	76
Windshield wipers and washer	76
Wrecker towing	242

Service Station Information

Engine	2.3L	3.0L	4.0L
Fuel	Unleaded only — 87 Octane		
Fuel tank capacity: Regular Cab Standard Optional SuperCab	17.0 gals. (64.3L) 20.0 gals. (75.7L) 20.5 gals. (77.6L)		
Tire size	See Safety Compliance Certification Label		
Tire pressure	See Safety Compliance Certification Label		
Hood release	Pull lever located below steering column		
Engine oil	Use only oil displaying the American Petroleum Institute Certification Mark SAE 5W-30 preferred		
Engine oil capacity w/filter	5.0 qts. (4.7L)	4.5 qts. (4.3L)	5.0 qts. (4.7L)
Automatic transmission fluid	Motorcraft MERCON® V ATF		
Manual transmission fluid	Motorcraft MERCON® ATF		
Automatic transmission fluid capacity: 4x2 4x4	9.5 qts. (9.0L) 9.8 qts. (9.3L)		
Manual transmission fluid capacity	5.6 pts. (2.65 L)		
Power steering fluid	Use only power steering fluid that meets fluid specification MERCON® ATF		
Engine coolant capacity: with A/C without A/C	7.2 qts. (6.8L) 6.5 qts. (6.2L)	10.2 qts. (9.6L) 9.5 qts. (9.0L)	8.6 qts. (8.1L) 7.8 qts. (7.4L)