



TAURUS

Your satisfaction is our #1 goal. If you have questions or concerns with your vehicle, we suggest you follow these steps:

1. Contact your Sales Representative or Service Advisor at your selling/servicing dealership.
2. If the inquiry or concern remains unresolved, contact the Sales Manager or Service Manager at the dealership.
3. If the inquiry or concern cannot be resolved at the dealership level, please contact the Ford Customer Assistance Center.

In the United States:

**Ford Motor Company
Customer Assistance Center
300 Renaissance Center
P.O. Box 43360
Detroit, MI 48243
1-800-392-3673 (FORD)
TDD for the hearing impaired: 1-800-232-5952**

In Canada:

**Customer Assistance Centre
Ford Motor Company of Canada, Limited
P.O. Box 2000
Oakville, Ontario L6J 5E4
1-800-565-3673 (FORD)**

Outside the U.S. or Canada:

**FORD MOTOR COMPANY
EXPORT OPERATIONS
1555 Fairlane Drive
Fairlane Business Park #3
Allen Park, Michigan 48101
Telephone: (313) 594-4857
Fax: (313) 390-0804**

All rights reserved. Reproduction by any means, electronic or mechanical, including photocopying, recording, or by any information storage and retrieval system or translation in whole or part is not permitted without written authorization from Ford Motor Company.

Copyright © 1995 Ford Motor Company

Table of Contents

Introductory Information	1
Safety Restraints	9
Starting Your Taurus	59
Warning Lights and Gauges	71
Instrument Panel Controls	91
Steering Column Controls	115
Features	125
Electronic Sound Systems	169
Driving Your Taurus	191
Roadside Emergencies	217
Customer Assistance	237
Reporting Safety Defects	244
Accessories	249
Servicing Your Taurus	255
Quick Index	341
Index	357
Service Station Information	380

Introductory Information

Ford's Commitment to You

At Ford Motor Company, excellence is the continuous commitment to achieve the best result possible. It is dedication to learning what you want, determination to develop the right concept, and execution of that concept with care, precision, and attention to detail. In short, excellence means being the standard by which others are judged.

Our Guiding Principles

- Quality comes first.** For your satisfaction, the quality of our products and services must be our number one priority.
- You are the focus of everything we do.** Our work must be done with you in mind, providing better products and services than our competition.
- Continuous improvement is essential to our success.** We must strive for excellence in everything we do: in our products — in their safety and value — and in our services, our human relations, our competitiveness, and our profitability.
- Employee involvement is our way of life.** We are a team. We must treat one another with trust and respect.
- Dealers and suppliers are our partners.** We must maintain mutually beneficial relationships with dealers, suppliers, and our other business associates.

- **Integrity is never compromised.** Our conduct worldwide must be pursued in a manner that is socially responsible and commands respect for its integrity and for its positive contributions to society.

Things to Know About Using This Guide

Congratulations on the purchase of your new vehicle. This guide has information about the equipment and the options for your new vehicle. You may not have bought all of the options available to you. If you do not know which information applies to your vehicle, talk to your dealer.

This guide describes equipment and gives specifications for equipment that was in effect when this guide was approved for printing. Ford may discontinue models or change specifications or design without any notice and without incurring obligation.

NOTES and WARNINGS

NOTES give you additional information about the subject matter you are referencing.

WARNINGS remind you to be especially careful in those areas where carelessness can cause damage to your vehicle or personal injury to yourself, your passengers or other people. Please read all **WARNINGS** carefully.



Finding Information in This Guide

After you have read this guide once, you will probably return to it when you have a specific question or need additional information. To help you find specific information quickly, you can use the Quick Index or the Index.

The **Quick Index** at the end of the book provides a page number following each item which indicates where detailed information can be found.

To use the **Index**, turn to the back of the book and search in the alphabetical listing for the word that best describes the information you need. If the word you chose is not listed, think of other related words and look them up. We have designed the Index so that you can find information under a technical term.

Canadian Owners — French Version

French Owner Guides can be obtained from your dealer or by writing to Ford Motor Company of Canada, Limited, Service Publications, P.O. Box 1580, Station B, Mississauga, Ontario L4Y 4G3.

Your Maintenance Schedule and Record Booklet

The *Maintenance Schedule and Record* booklet lists the services that are most important for keeping your vehicle in good condition. A record log is also provided to help you keep track of all services performed.

About the Warranties

Your vehicle is covered by three types of warranties: **Basic Vehicle Warranty**, **Extended Warranties** on certain parts, and **Emissions Warranties**.

Read your *Warranty Information Booklet* carefully to find out about your vehicle's warranties and your basic rights and responsibilities.

If you lose your *Warranty Information Booklet*, you can get a new one free of charge. Contact any Ford or Lincoln-Mercury dealer, or refer to the addresses and phone numbers on the first page of this owner guide.

Buying a Ford Extended Service Plan

If you bought your vehicle in the U.S., you can buy a Ford Extended Service Plan for your vehicle. This optional contract provides service protection for a longer period of time than the basic warranty that comes with your vehicle.

You do not have to buy this option when you buy your vehicle. However, your option to purchase the Ford Extended Service Plan runs out after 18 months or 18,000 miles. See your dealer for more details about the Ford Extended Service Plan.

If you purchased a Canadian vehicle and did not take advantage of the Ford Extended Service Plan at the time of purchase, you may still be eligible. See your dealer for the details.

Breaking Your Vehicle In

Your new vehicle goes through an adjustment or break-in period during the first 1,000 miles (1,600 km) that you drive it. During the break-in period, you need to pay careful attention to how you drive your vehicle.

Avoid sudden stops. Because your vehicle has new brake linings, you should take these steps:

- Watch traffic carefully so that you can anticipate when to stop.
- Begin braking well in advance.
- Apply the brakes gradually.

The break-in period for new brake linings lasts for 100 miles (160 km) of city driving or 1,000 miles (1,600 km) of highway driving.

Use only the type of engine oil that Ford recommends. See *Engine oil recommendations* in the Index. Do not use special “break-in” oils.

Safety Labels

There are labels, decals and tags on your vehicle to alert you about possible hazards. The signal word on the label tells you the degree of hazard and is used in the following ways:

DANGER: Used to indicate the presence of a hazard which will cause severe personal injury or death if the warning is ignored.

WARNING: Used to indicate the presence of a hazard which can cause severe personal injury or death if the warning is ignored.

CAUTION: Used to indicate the presence of a hazard which will or can cause minor personal injury or property damage if the warning is ignored.

Cleaning the Outside of Your Vehicle

Pollen, bird droppings and tree sap can damage the paint, especially in hot weather. Wash your vehicle as often as necessary to keep it clean.

Take similar precautions if your vehicle is exposed to chemical industrial fallout.

Paint damage resulting from fallout is not related to a defect in paint materials or workmanship and therefore is not covered by warranty. Ford, however, believes that continual improvement in customer satisfaction is a high priority. For this reason, Ford has authorized its dealers to repair, at no charge to the owner, the surfaces of new vehicles damaged by environmental fallout within 12 months or 12,000 miles (20,000 km) of purchase, whichever comes first. Customers may be required to bring their vehicle in for inspection by a Ford representative.

Washing and Polishing Your Vehicle

Wash the outside of your vehicle, including the underside, with a cleaner made for washing cars. If your vehicle has clear-coat, make sure that the cleaner is recommended for clear-coat.

DO NOT:

- Wash your vehicle with hot water
- Wash your vehicle while it sits in direct sunlight
- Wash your vehicle while the body is hot

Polish your vehicle to remove harmful deposits and protect the finish.

Cleaning Chrome and Aluminum Parts

Wash chrome and aluminum parts with a mild detergent. Do not use steel wool, abrasive cleaners, fuel or strong detergents.

Cleaning Plastic Parts

Some of your vehicle's exterior trim parts are plastic. Clean with a tar and road oil remover if necessary. Use a vinyl cleaner for routine cleaning.

Do not clean plastic parts with thinners, solvents or petroleum-based cleaners.

If you have your vehicle rustproofed, remove oversprayed rustproofing with a tar and road oil remover. If rustproofing is not removed from plastic and rubber parts, it can cause deterioration.

Safety Restraints

Important Safety Belt Information

The use of safety belts helps to restrain you and your passengers in case of a collision. In most states and in Canada the law requires their use.

Safety belts provide best restraint when:

- the seatback is upright
- the occupant is sitting upright (not slouched)
- the lap belt is snug and low on the hips
- the shoulder belt is snug against the chest
- the knees are straight forward

To help you remember to fasten your safety belt, a warning light may come on and a chime may sound. See *Safety Belt Warning Light and Chime* in the *Warning Lights and Gauges* chapter.

See the following sections in this chapter for directions on how to properly use these safety belts. Also see *Safety Restraints for Children* in this chapter for special instructions about using safety belts for children.

⚠ WARNING

It is extremely dangerous to ride in a cargo area, inside or outside of a vehicle. In a collision, people riding in these areas are more likely to be seriously injured or killed. Do not allow people to ride in any area of your vehicle that is not equipped with seats and safety belts. Be sure everyone in your vehicle is in a seat and using a safety belt properly.

⚠ WARNING

Make sure that you and your passengers wear safety belts. Always drive and ride with your seatback upright and the lap belt snug and low across the hips.

⚠ WARNING

Never wear the shoulder belt under the arm. Never swing it around the neck over the inside shoulder. Never use a single belt for more than one person or across more than one seating position. Each seating position in your vehicle has a specific safety belt assembly which is made up of one buckle and one tongue that are designed to be used as a pair. Failure to follow these precautions could increase the risk and/or severity of injury in a collision.

⚠ WARNING

Ford recommends that all safety belt assemblies and attaching hardware should be inspected by a qualified technician after any collision. Safety belt assemblies not in use during a collision should also be inspected and replaced if either damage or improper operation is noted.

⚠ WARNING

To reduce the risk of serious injury in a collision, children should always ride with the seatback upright.

⚠ WARNING

Never let a passenger hold a child on his or her lap while the vehicle is moving. The passenger cannot protect the child from injury in a collision.

⚠ WARNING

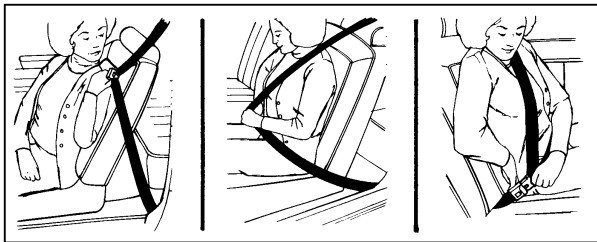
Lock the doors of your vehicle before driving to lessen the risk of the door coming open in a collision.

Combination Lap and Shoulder Belts

While your vehicle is in motion, the combination lap and shoulder belt adjusts to your movement. However, if you brake hard, turn hard, or if your vehicle receives an impact of 5 mph (8 km/h) or more, the lap/shoulder belt locks and helps reduce your forward movement.

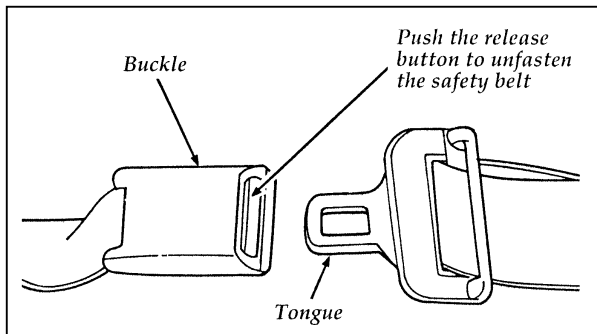
After you get into your vehicle, close the door and lock it. Then adjust the seat to the position that suits you best.

Pull the combination lap/shoulder belt from the retractor so that the shoulder portion of the belt crosses your shoulder and chest. Be sure the belt is not twisted. If it is, remove the twist. Insert the belt tongue into the proper buckle until you hear a snap and feel it latch. Make sure the tongue is securely fastened to the buckle by pulling on tongue.



Fastening the front seat combination lap and shoulder belt

NOTE: Be sure to read and understand *Important Safety Belt Information* at the beginning of this chapter.



Unfastening the combination lap and shoulder belts — front and rear outboard seating positions

While the belt retracts, guide the tongue to its original position to prevent it from striking you or the vehicle.

Safety Belts for Front Outboard Passenger and Rear Outboard Seating Positions (Except Wagon Rear-Facing Seat)

Your vehicle is equipped with a dual locking mode retractor on the **shoulder** belt portion of the combination lap/shoulder safety belt for the front seat outboard passenger and rear outboard passengers.

Dual locking mode retractors operate in two ways:

Vehicle sensitive (emergency) locking mode

In this operating mode, the shoulder belt retractor will allow the occupant freedom of movement, locking tight only on hard braking, hard cornering or impacts of approximately 5 mph (8 km/h) or more. The retractor can also be made to lock by pulling the belt out quickly.

Automatic locking mode

In this operating mode, the shoulder belt retractor will be automatically locked and will remain locked when the combination lap/shoulder safety belt is buckled, and does not allow the occupant freedom of movement. This mode provides the following:

- A tight lap/shoulder belt on the occupant.
- Child safety seat installation.

 WARNING
--

Rear-facing infant seats should never be placed in the front seats.
--

This mode **must be used** when installing a child safety seat on the front passenger seat and rear outboard seats where dual locking retractors are provided.

To switch the retractor from the emergency locking mode to the automatic locking mode, perform the following steps:

1. Buckle the lap/shoulder combination belt.
2. Grasp the shoulder portion of the belt and pull downward until all of the belt is extracted and, when allowed to retract, a clicking sound is heard. At this time, the belt retractor is in the automatic locking mode (child restraint mode).
3. A clicking sound will continue to be heard as the belt is allowed to retract. This indicates that the retractor is in the automatic locking mode.

NOTE: When the combination lap/shoulder belt is unbuckled and allowed to retract completely, the retractor will switch to the vehicle sensitive (emergency) locking mode. See the detailed instructions under *Safety Seats for Children* in this chapter.

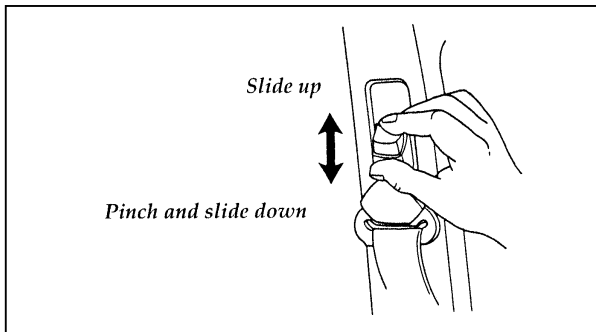
Shoulder Belt Height Adjustment

Driver and right front passenger

You can adjust the shoulder belt height to one of five (5) positions.

To adjust the belt down, pinch the release button. To adjust the belt up, slide the adjuster up. (You do not have to pinch the release button.)

Make sure the adjuster is firmly in one of the five positions. The belt should be adjusted up or down until the belt rests on your shoulder near your neck.



The shoulder belt height adjuster

⚠ WARNING

Position the shoulder belt height adjuster so that the belt rests across the middle of your shoulder. Be sure the shoulder belt is properly positioned on your shoulder each time you use the belt. If the shoulder belt is off your shoulder, on your upper arm or neck, there is a greater risk of severe injury in a collision.

Safety Belts for Rear-Facing Occupants (Wagon)

⚠ WARNING

Never use child safety seats in the third seat of a wagon.

Your vehicle is equipped with safety seat belts containing an adjust tongue at the rear-facing seating positions.

When the adjust tongue of the lap/shoulder combination seat belt is latched into the buckle, the tongue will allow the lap portion to become shorter, but locks the webbing in place to restrict it from becoming longer.

Before you can reach and latch a combination lap and shoulder belt having an adjust tongue into the buckle, you may have to lengthen the lap belt portion of it. To lengthen the lap belt, pull some webbing out of the shoulder belt retractor. While holding the webbing below the tongue, grasp the tongue so that it is parallel to the webbing and slide the tongue upward. Provide enough lap belt length so that the tongue can reach the buckle.

To fasten the belt, pull the combination lap and shoulder belt from the retractor so that the shoulder belt portion of the safety belt crosses your shoulder and chest. Be sure the belt is not twisted. If the belt is twisted remove the twist. Insert the belt tongue into the proper buckle for your seating position until you hear a snap and feel it latch. Make sure the tongue is securely fastened to the buckle by pulling on the tongue.

⚠ WARNING

The lap belts should fit snugly and as low as possible around the hips, not around the waist.

⚠ WARNING

All front and rear seat outboard occupants (including pregnant women) should wear lap and shoulder belts, for optimum protection in a collision.

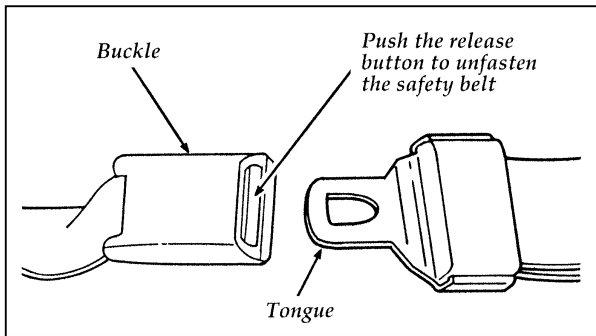
⚠ WARNING

Failure to follow these precautions could increase the risk and/or severity of injury in a collision. 1) Use the shoulder belt on the outside shoulder only. Never wear the shoulder belt under the arm. 2) Never swing it around your neck over the inside shoulder. 3) Never use a single belt for more than one person.

Due to folding rear seats, sometimes the buckles and tongues toward the center of the vehicle may be hidden by the rear edge of the seat cushion. Pull them out so they will be accessible.

While you are fastened in the seat belt, the shoulder belt adjusts to your movement. However, if you brake hard, turn hard, or if your vehicle receives an impact of 5 mph (8 km/h) or more, the safety belt will become locked and help reduce your forward movement.

To unfasten the belt, push the red release button on the end of the buckle. This allows the tongue to unlatch from the buckle. While the belt retracts, guide the tongue to its original position to prevent it from striking you or the vehicle.



Unfastening the combination lap and shoulder belts for the rear-facing third seat (wagon)

Center Occupant Rear Safety Belt (Sedan)

The safety belt in the center rear seating position has a detachable shoulder belt.

To attach the shoulder belt to the lap belt, pull the shoulder belt out from the retractor in the seatback and insert the lap belt connecting pin into the wide end of the key-slot on the shoulder belt as shown in Figure 1. Pull the connecting pin into the narrow end of the key-slot until you hear a snap and feel it latch. See Figure 2. Make sure the shoulder belt is securely fastened to the lap belt by pulling up on the shoulder belt.

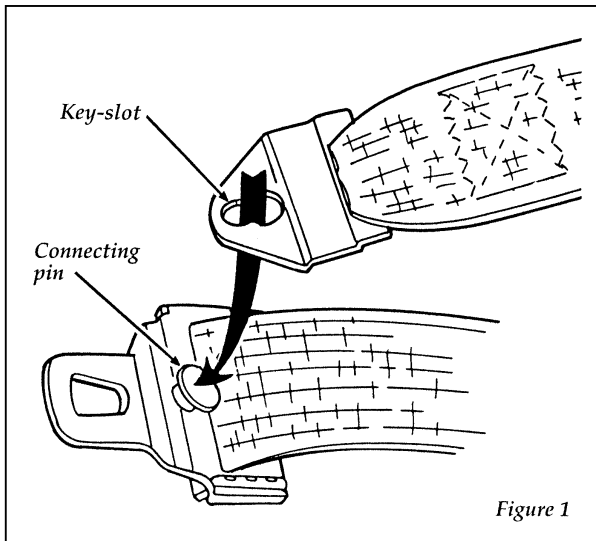


Figure 1

The reverse side of the lap belt and the detachable shoulder belt

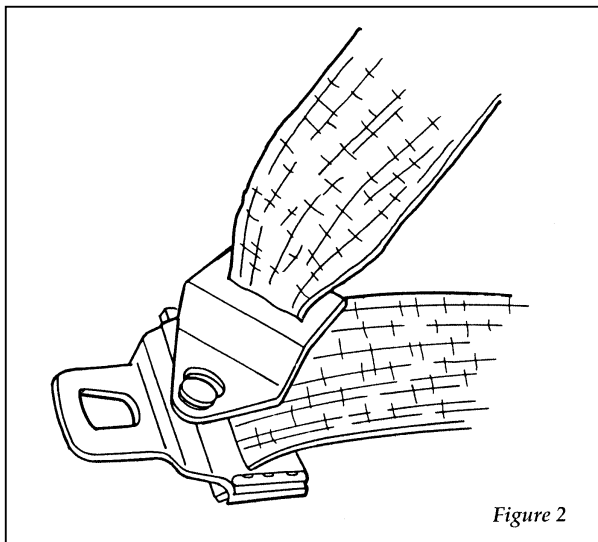


Figure 2

The reverse side of the shoulder belt attached to the lap belt

⚠ WARNING

The rear center lap belt must be tightened separately from the shoulder strap. The lap belt must fit snugly, and as low as possible around the hips. Do not wear around your waist. For information about adjusting the belt, see “LAP BELTS” in this chapter.

Detach the shoulder belt before folding down the passenger side rear seat. To detach the shoulder belt, slide the connecting pin to the wide end of the key-slot and lift the shoulder belt off the connecting pin. As the shoulder belt retracts, guide the belt so that it does not strike you or the vehicle.

Lap Belts

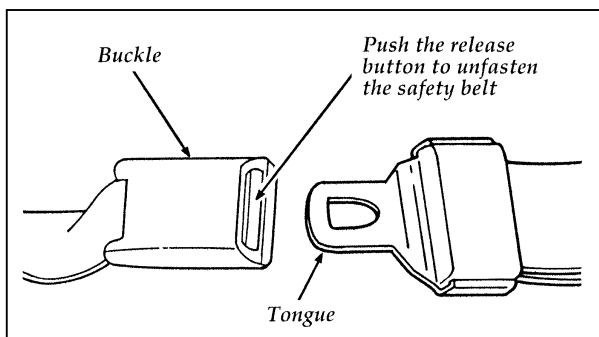
The lap belts in the center front seating position (if equipped) and center rear seat do not adjust automatically. You must adjust them to fit snugly and as low as possible around your hips. Do not wear the lap belt around your waist.

The front center seat belt buckle and tongue are stowed in a pocket between the seat cushion and seatback. Remove them from the stowage pocket before fastening.

Pull the belt across your hips and **insert the tongue into the correct buckle** on your seat until you hear a snap and feel it lock. Make sure the buckle is securely fastened.

If you need to lengthen the belt, unfasten it and tip the belt tongue at a right angle to the belt. Pull the belt tongue over your lap until it reaches the buckle.

If you need to shorten the belt, pull on the loose end of the webbing until the belt fits snugly.



Unfastening the lap belts for the center front and center rear seating positions

To unfasten the belt, push the release button on the end of the buckle. This allows the tongue to unlatch from the buckle.

⚠ WARNING

The lap belts should fit snugly and as low as possible around the hips, not around the waist.

Safety Belt Extension Assembly

For some people, the safety belt may be too short even when it is fully extended. You can add about eight inches (20 cm) to the belt length with a safety belt extension assembly (part number 611C22). Safety belt extensions are available at no cost from your dealer.

This assembly is not for use in the wagon rear-facing seat.

⚠ WARNING

The use of the safety belt extension in the wagon rear-facing seat will increase the risk of personal injury.

Use only extensions manufactured by the same supplier as the safety belt. Manufacturer identification is located at the end of the webbing on the label. Also, use the safety belt extension only if the safety belt is too short for you when fully extended. Do not use extension to change the fit of the shoulder belt across the torso.

⚠ WARNING

Failure to follow these instructions will affect the performance of the safety belts and increase the risk of personal injury.

Safety Belt Maintenance

Check the safety belt systems periodically to make sure that they work properly and are not damaged.

All safety belt assemblies, including retractors, buckles, front seat belt buckle support assemblies (slide bar) (if equipped), child safety seat tether bracket assemblies (if equipped), and attaching hardware, should be inspected after any collision. Ford recommends that all safety belt assemblies used in vehicles involved in a collision be replaced. However, if the collision was minor and a qualified technician finds that the belts do not show damage and continue to operate properly, they do not need to be replaced. Safety belt assemblies not in use during a collision should also be inspected and replaced if either damage or improper operation is noted.

Cleaning the Safety Belts

Clean the safety belts with any mild soap solution that is recommended for cleaning upholstery or carpets. Do not bleach or dye the belt webbing because this may weaken it.

Air Bag Supplemental Restraint System (SRS)

The driver and right front passenger air bags are Supplemental Restraint Systems (SRS), provided at these seating positions in addition to the lap/shoulder belt, and are designed to supplement the protection provided to properly belted occupants in moderate to severe frontal collisions. The supplemental air bag system does not provide restraint to the lower body.

The Importance of Wearing Safety Belts

⚠ WARNING

Safety belts must be worn by all vehicle occupants to be properly restrained and help reduce the risk of injury in a collision.

⚠ WARNING

All occupants of the vehicle, including the driver, should always wear their safety belts, even when an air bag Supplemental Restraint System is provided.

There are four very important reasons to use safety belts even with an air bag system. Use your safety belts to:

- help keep you in the proper position (away from the air bag) when it inflates
- reduce the risk of harm in rollover, side or rear impact collisions, because an air bag is not designed to inflate in such situations
- reduce the risk of harm in frontal collisions that are not severe enough to activate the supplemental air bag
- reduce the risk of being thrown from your vehicle

The Importance of Being Properly Seated

In a collision, the air bag must inflate extremely fast to help provide additional protection for you. In order to do this, the air bag must inflate with considerable force. If you are not seated in a normal riding position with your back against the seatback, the air bag may not protect you properly and could possibly hurt you as it inflates.

⚠ WARNING

If a passenger is not properly seated and restrained, an inflating air bag could cause serious injury.

Your vehicle is equipped with a right front passenger air bag. Air bags deploy with great force, faster than the blink of an eye. Front passengers, especially children and small adults, must never sit on the front edge of the seat, stand near the glove compartment of the instrument panel, or lean over near the air bag cover when the vehicle is moving. All occupants should sit with their backs against the seatback, move the seat to the most rearward position if possible and use the safety belts. Children weighing less than 40 lbs. (18 kg) always should use child or infant seats.

⚠ WARNING

Rear-facing infant seats should never be placed in the front seat.

In rear-facing infant seats, the infant's head is closer to the air bag. The force of the rapidly inflating air bag could push the top of the rear-facing seat against the vehicle seatback or center armrests (if so equipped), or center console (if so equipped). REAR-FACING INFANT CARRIERS MUST ALWAYS BE SECURED IN THE REAR SEAT, and other child safety seats and infant seats should be secured in the rear seat whenever possible.

⚠ WARNING

When using forward-facing child seats move the passenger seat as far back from the instrument panel as possible. NEVER SECURE REAR-FACING INFANT SEATS IN THE FRONT SEAT.

The force of the rapidly inflating passenger air bag could push the top of the rear-facing seat against the vehicle seatback, armrests or console. Rear-facing infant seats must always be secured in the rear seat.

⚠ WARNING

Do not place objects or mount equipment on or near the air bag cover on the steering wheel or in front seat areas that may come in contact with a deploying air bag. Failure to follow this instruction may increase the risk of personal injury in the event of a collision.

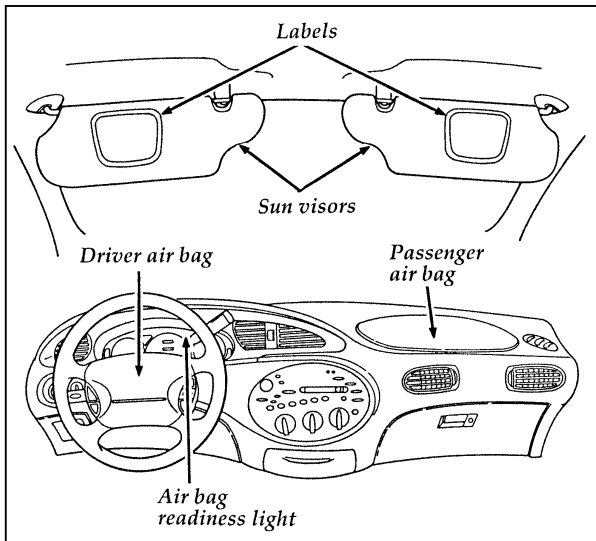
For further information about the proper mounting of equipment in the front seat of this vehicle, please refer to Ford's brochure entitled *Some Important Information About Air Bag Supplemental Restraint System* which can be obtained by calling Helm Inc. at 1-800-782-4356. Ask for brochure FPS-8602.

For additional important safety information on the proper use of seat belts, child seats, and infant seats, please read the other sections of this chapter of the Owner Guide, especially sections entitled *Safety Belts for Children* and *Safety Seats for Children*.

How the Air Bag Supplemental Restraint System Operates

The Air Bag Supplemental Restraint System consists of the driver and passenger air bags, impact sensors, a system diagnostic module, a readiness light and tone, and the electrical wiring which connects the components.

The driver air bag is in the center of the steering wheel. The front passenger seat air bag is located in the center of the instrument panel ledge above the glove compartment. Both air bags are designed to stay out of sight until they are activated.



The location of air bags and warning labels

If a collision occurs, the sensors sense the severity of the impact and activate the air bags if necessary. The air bag system is designed to deploy in frontal and front-angled collisions more severe than hitting a parked vehicle (of similar size and weight) head-on at about 28 mph (45 km/h). Because the system senses the crash severity rather than vehicle speed, some frontal collisions at speeds above 28 mph (45 km/h) will not inflate the air bag.

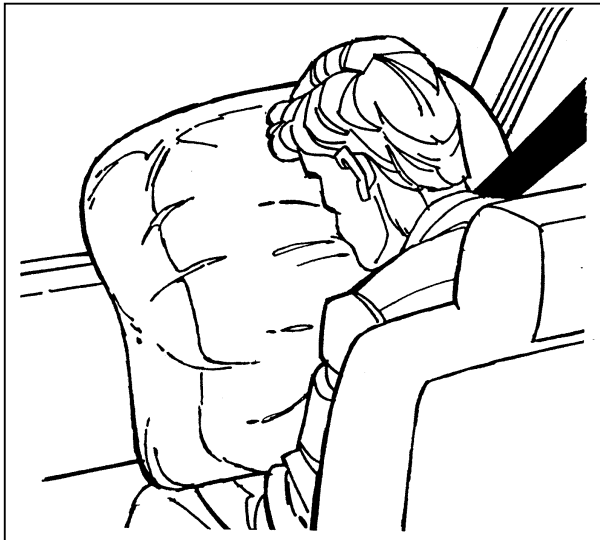
When the sensors activate the system, the air bags inflate rapidly, filling with non-toxic gas mixture in a fraction of a second. Immediately after inflation, the air bags deflate by releasing the gas mixture through vent holes. The whole process takes place in a matter of seconds.

 **WARNING**

Air bag system components get hot after inflation. Do not touch them after inflation.



Inflated driver-side air bag



Inflated passenger-side air bag

 **WARNING**

If the air bag is inflated, THE AIR BAG WILL NOT FUNCTION AGAIN AND MUST BE REPLACED IMMEDIATELY. If the air bag is not replaced, the unrepaired area will increase the risk of injury in a collision.

To ensure that the air bag system will operate as intended in a crash, the system is equipped with a diagnostic module, which controls a readiness lamp and a warning tone. The diagnostic module monitors its own circuits, the air bag electrical system, the air bag readiness light, the air bag power, and the air bag inflators.

The air bag system uses a readiness light on the instrument cluster and a tone to indicate the condition of the system. When you turn the ignition key to the ON position, this light will illuminate for approximately six (6) seconds and then turn off. This indicates that the system is operating normally. NOTE: Maintenance of the air bag system is not required.

A problem with the system is indicated by one or more of the following:

- the readiness light will either flash or stay lit,
- or it will not light immediately after ignition is turned on,
- or a group of five beeps will be heard. The tone pattern will repeat periodically until the problem and light are repaired.

If any of these things happen, have the air bag system serviced at your Ford or Lincoln-Mercury dealer immediately. Unless serviced, the air bag Supplemental Restraint System may not function properly in the event of a collision.

⚠ WARNING

Do not attempt to service, repair, or modify the Air Bag Supplemental Restraint System or its fuses. See your Ford or Lincoln-Mercury dealer.

Disposal of air bags or air bag equipped vehicles

For disposal of air bags or air bag equipped vehicles, see your local Ford or Lincoln-Mercury dealer. Air bags **MUST** be disposed of by qualified personnel.

Safety Restraints for Children

In the U.S. and Canada, you are required by law to use safety restraints for children. If small children ride in your vehicle — this generally includes children who are four years old or younger and who weigh 40 pounds (18 kg) or less — you must put them in safety seats that are made specially for children. Safety belts alone do not provide maximum protection for these children. Check your local and state laws for specific requirements.

⚠ WARNING

Never let a passenger hold a child on his or her lap while the vehicle is moving. The passenger cannot protect the child from injury in a collision.

⚠ WARNING

To prevent the risk of injury, make sure children sit where they can be properly restrained.

⚠ WARNING

Passengers should not be allowed to ride in the cargo area. Persons not riding in a seat with a fastened seat belt are much more likely to suffer serious injury in a collision. Cargo should always be secured to prevent it from shifting and causing damage to the vehicle or harm to passengers.

When possible, put children in the rear seat of your vehicle. Accident statistics suggest that children are safer when properly restrained in the rear seating positions than in the front seating positions.

⚠ WARNING

Carefully follow all of the manufacturer's instructions included with the safety seat you put in your vehicle. If you do not install and use the safety seat properly, the child may be injured in a sudden stop or collision.

⚠ WARNING

Safety belts and seats can become hot in a vehicle that has been closed up in sunny weather; they could burn a small child. Check seat covers and buckles before you place a child anywhere near them.

⚠ WARNING

Never leave a child unattended in your vehicle.

Safety Seats for Children

Use a safety seat that is recommended for the size and weight of the child. Always follow the safety seat manufacturer's instructions when installing and using the safety seat.

Ford recommends the use of a child safety seat having a top tether strap. Install the child safety seat in a seating position which is capable of providing a tether anchorage. For more information on top tether straps see *Attaching Safety Seats With Tether Straps* in this chapter.

When installing a child safety seat, be sure to use the correct safety belt buckle for that seating position, and make sure the tongue is securely fastened in the buckle. For a shoulder/lap belt combination with a sliding tongue, make sure the retractor is in the automatic locking mode.

Your vehicle is equipped with a right front passenger air bag. Air bags deploy with great force, faster than the blink of an eye. Front passengers, especially children and small adults, must never sit on the front edge of the seat, stand near the glove compartment of the instrument panel, or lean over near the air bag cover when the vehicle is moving. All occupants should sit with their backs against the seatback, move the seat to the most rearward position if possible and use the safety belts. Children weighing less than 40 lbs. (18 kg) always should use child or infant seats.

WARNING

When using forward-facing child seats move the passenger seat as far back from the instrument panel as possible. NEVER SECURE REAR-FACING INFANT SEATS IN THE FRONT SEAT.

The force of the rapidly inflating passenger air bag could push the top of the rear-facing seat against the vehicle seatback, armrests or console. Rear-facing infant seats must always be secured in the rear seat.

All child restraint systems are designed to be secured in vehicle seats by lap belts or by the lap portion of a lap-shoulder belt.

⚠ WARNING

If you do not properly secure the safety seat, the child occupying the seat may be injured during a collision or sudden stop. An unsecured safety seat could also injure other passengers.

⚠ WARNING

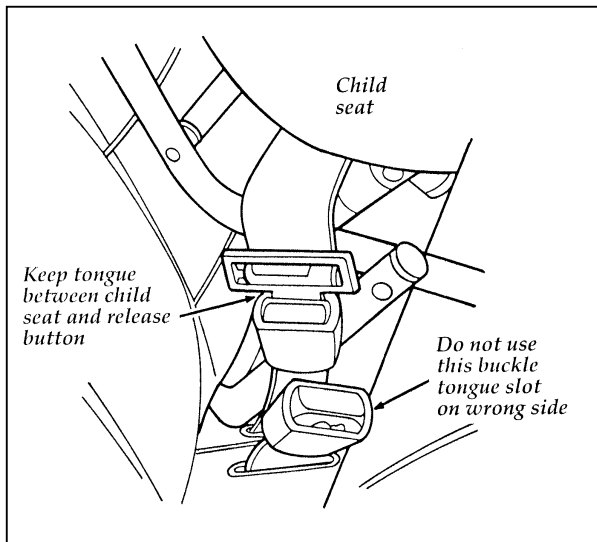
Carefully follow all of the manufacturer's instructions included with the safety seat you put in your vehicle. If you do not install and use the safety seat properly, the child may be injured in a sudden stop or collision.

⚠ WARNING

Never use child safety seats in the third seat of a wagon.

⚠ WARNING

Always keep the buckle release button pointing upward and away from the child seat, with the tongue between the child seat and the release button as shown in the following illustration.



Safety belt buckle placement for child seats

Installing Child Safety Seats in the Front Passenger Seat and Outer Rear Seating Positions

Your vehicle is equipped with a dual locking mode retractor on the shoulder belt portion of the combination lap/shoulder safety belt for the front passenger seat and rear outer seats. The automatic locking mode **must be used** when installing a child seat or infant carrier in the front passenger seat or rear outer seats.

⚠ WARNING

Never install a rear-facing child seat or infant carrier in the right front passenger seat.

If you choose to install a child safety seat in the front seating position, move vehicle seat as far back as possible.

1. Position the child seat on the passenger seat of the vehicle.
2. Pull down on shoulder belt, then grasp shoulder belt and lap belt together. See Figure 1.

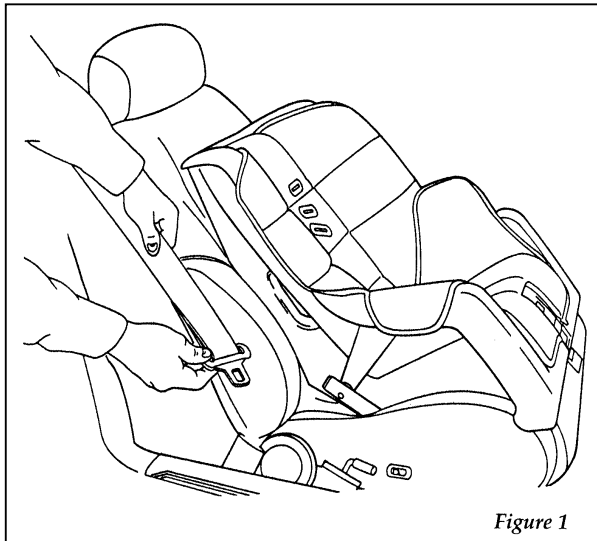
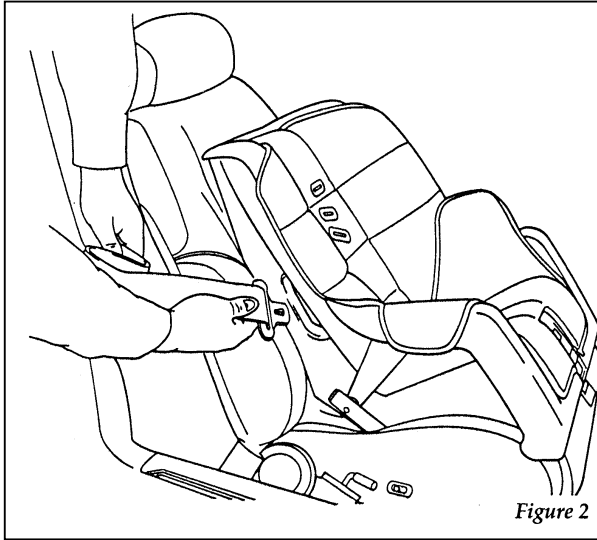


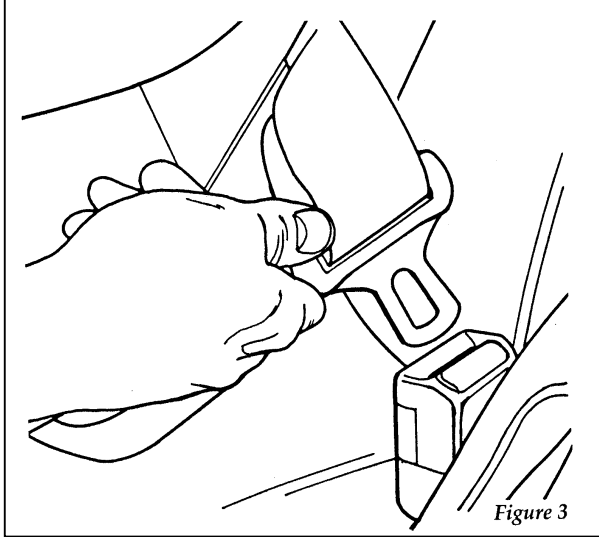
Figure 1

Pulling out belt webbing

3. While holding the shoulder and lap belt portions together, route the tongue through the child seat according to the child seat manufacturer's instructions. See Figure 2. Be sure that the belt webbing is not twisted.

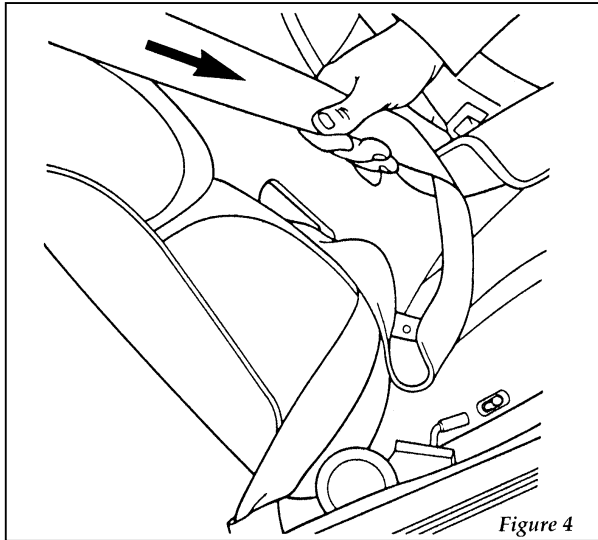


Routing the lap/shoulder belt



Buckling the belt

4. Grasp the shoulder portion of the belt and pull downward until all of the belt is extracted and a click is heard. At this time, the retractor is in the automatic locking mode (child seat restraint mode). See Figure 4.



Setting the retractor to automatic locking mode

5. Allow the belt to retract. Pull up on the shoulder webbing. A clicking sound will be heard as the belt retracts. This indicates the retractor is in the automatic locking mode. Push down on the child seat while you pull up on the belt to remove any slack in the belt. Figures 5 and 6.

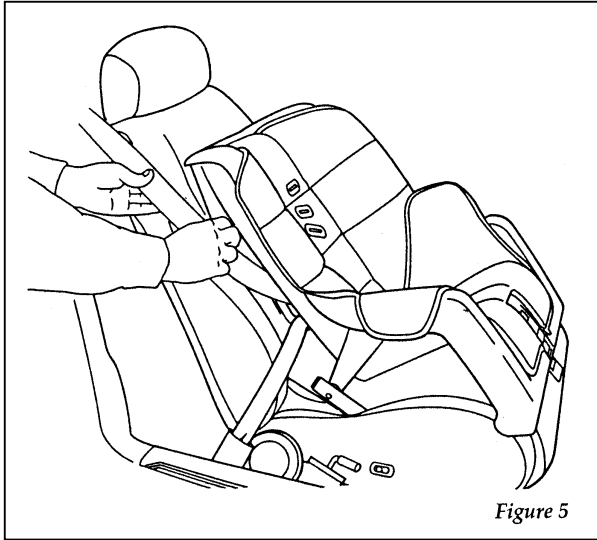


Figure 5

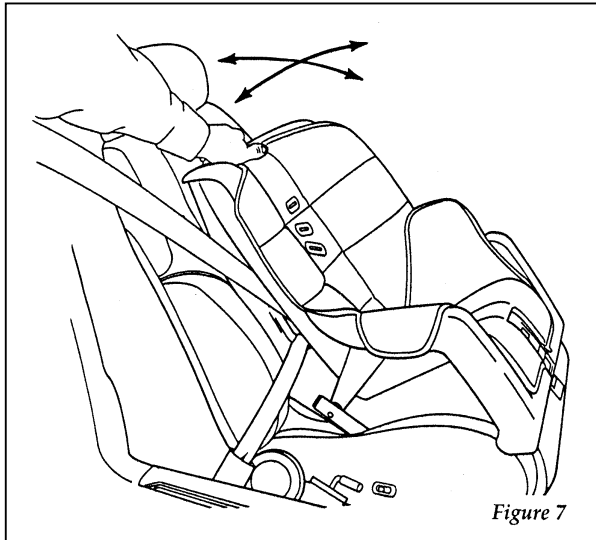
Allowing shoulder belt to retract



Figure 6

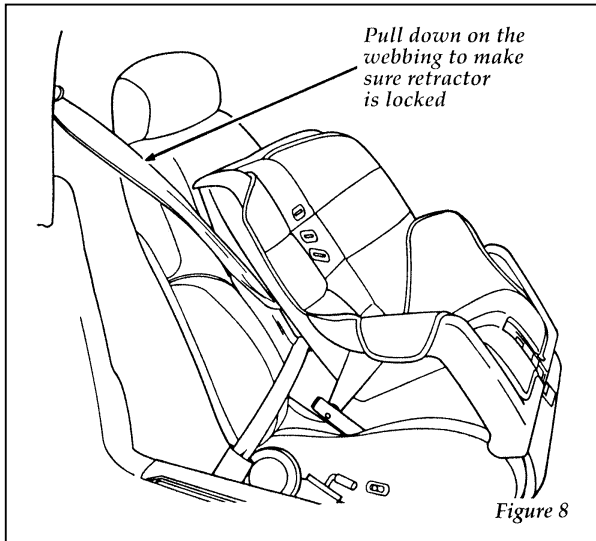
Removing slack from belt

6. Before placing the child in the child seat, forcibly tilt the seat from side to side, and tug it forward to make sure that the seat is securely held in place, Figure 7.



Checking that the seat is secure

7. Double check that the retractor is in the automatic locking mode. Try to pull more belt out of the retractor. If you cannot, the belt is in the automatic locking mode, Figure 8.



Checking the retractor

8. Check to make sure that the child seat is properly secured prior to each use. If the retractor is not locked, repeat steps 4 through 7.

NOTE: To remove the retractor from automatic lock mode, allow seat belt to retract fully to its stowed position and the retractor will automatically switch back to the vehicle sensitive locking mode for normal adult usage.

⚠ WARNING

Carefully follow all of the manufacturer's instructions included with the safety seat you put in your vehicle. If you do not install and use the safety seat properly, the child may be injured in a sudden stop or collision.

Attaching Safety Seats With Tether Straps

Some manufacturers make safety seats that include a tether strap that goes over the back of the vehicle seat and attaches to an anchoring point. Other manufacturers offer the tether strap as an accessory. Contact the manufacturer of your child safety seat for information about ordering a tether strap.

Front Seats

To install a tether from a child safety seat in the front seat:

1. Buckle the lap/shoulder belt (in the seat directly behind the front passenger seat in which the child safety seat will be installed).
2. Pull all the stored belt out of the rear seat retractor to switch the retractor to automatic locking mode.
3. Let the retractor wind up the slack from the lap/shoulder belt.
4. Install the child safety seat in the front seat. Refer to the previous section on *Installing Safety Seats*. Hook the tether strap hook around the webbing near the center of the shoulder portion of the locked lap/shoulder belt.
5. Tighten the tether strap.

Rear Seats

If you use a tethered safety seat on one of the rear seats, you can anchor the strap to the appropriate tether anchor directly behind that seat position.

Tether anchorage hardware

Attachment holes (at each rear outboard seating position) have been provided in your vehicle to attach anchor hardware, if required. Kits can be obtained at no charge from any Ford or Lincoln-Mercury dealer.

Be sure to follow the child safety seat manufacturer's instructions.

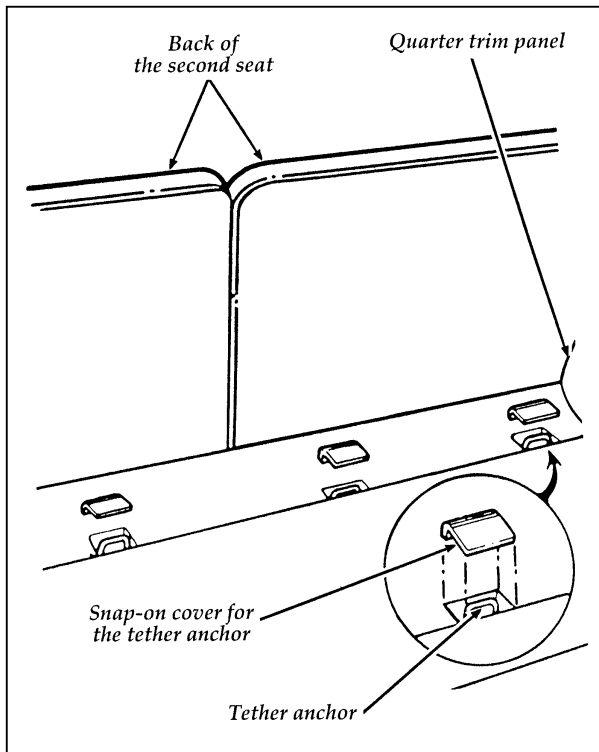
 WARNING
--

<p>Tighten the anchor according to specifications. Otherwise, the safety seat may not be properly secured and the child may be injured in a sudden stop or collision.</p>
--

In a station wagon, you simply attach the tether strap to one of the anchors that are already installed for you.

Tether anchorage hardware

All wagons have a tether anchor installed for each of the second row seating positions.



Finding the tether anchors in the wagon

1. Behind the second seat, find the plastic snap-on covers for the floor anchors.
2. Use a screwdriver or coin to snap the covers off the anchor in a rearward and upward direction. Remove the covers completely.
3. Snap the tether strap hook onto the U-shaped tether anchor.

Built-In Child Seat (Wagon — If equipped)

The second row seat may include an optional built-in child safety seat on the passenger side. The child restraint is to be used **only** by children who are at least one year old, weigh between 9 and 27 kilograms (20 and 60 pounds) and whose shoulders (top) are below the shoulder harness slots in the seatback.

If your child is less than one year old or weighs less than 9 kilograms (20 pounds), **always** use a rear facing infant or convertible seat because a child of that size is not sufficiently developed to withstand crash forces in a front facing position. Follow the specific manufacturer's instructions for weight and height restrictions.

Children must be properly buckled before riding in the vehicle. It is the law in every state and province. This child seat conforms to all Federal/Canadian motor vehicle safety standards.

Built-in child seat belt retractors

The belts on the built-in child seat are equipped with a retractor that locks when both belt tongues are latched into the crotch safety belt buckle.

The retractor will automatically snug the belts around the child. Frequently check the child seat's lap and shoulder harness belts for correct placement and tightness. Use the child seat only if the harness belts will stay snug with a child buckled in the seat. If belts do not remain snug, take the vehicle to the dealer for child seat repair.

⚠ WARNING

Always adjust the lap and shoulder harness belts provided with this child seat snugly around your child.

⚠ WARNING

Never leave a child unattended in your vehicle.

⚠ WARNING

Safety belts and seats can become hot in a vehicle that has been closed up in sunny weather; they could burn a small child. Check seat covers and buckles before you place a child anywhere near them.

⚠ WARNING

Failure to follow all of the instructions on the use of this child restraint system can result in your child striking the vehicle's interior during a sudden stop or crash.

How to use the Built-In Child Seat

Read the following procedures and all of the labels on the Built-In Child Seat before using the seat.

⚠ WARNING

Never use the Built-In Child Seat as a booster cushion with the adult safety belts. A child using the adult belts could slide forward and out from under the safety belts.

1. Pull and release flap from top of seatback.
See Figure 1.

NOTE: The child seat cannot be opened unless the seatback is latched in the upright position.

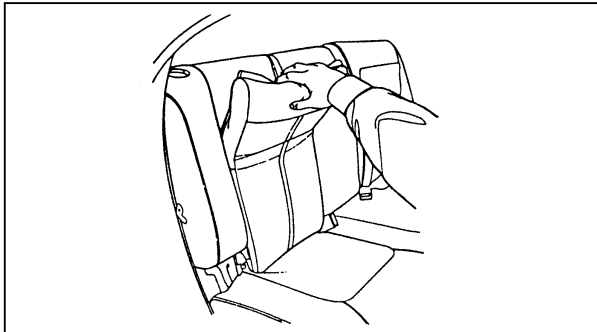


Figure 1: Releasing the flap

2. Grasp the child seat at the top of the seatback and pull the top forward to release the latch. See Figure 2.

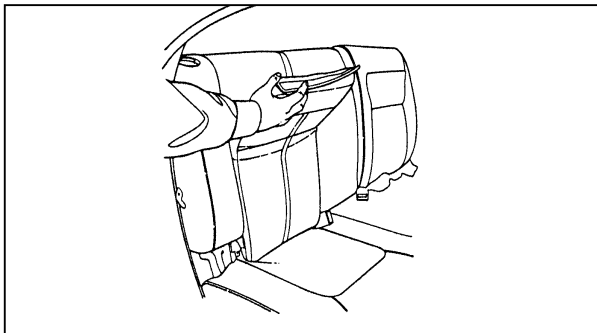


Figure 2: Releasing the latch

3. Continue to unfold the child seat until it rests on the seat as shown in Figure 3.

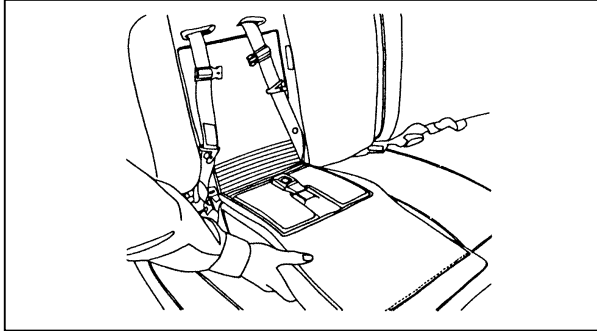


Figure 3: Opening the built-in child seat

4. Read the information and warnings on the child seat cushion and shoulder safety belt. Refer to Figure 4. Check the child's size, weight and age to be sure the child is not too small or too large for the child seat.

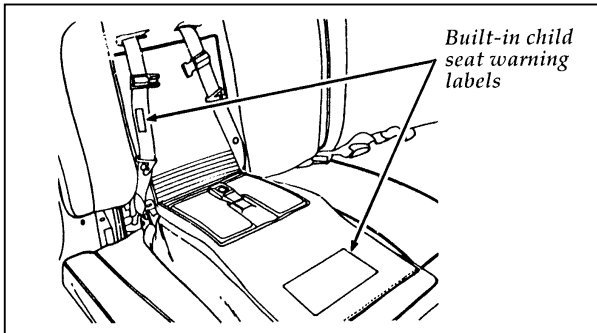


Figure 4: Child seat information and warnings

5. If connected, squeeze the top and the bottom of the right half of the chest clip and pull to separate both halves.
6. Place the child on the child seat and position the shoulder belts over each shoulder. Refer to Figure 5.

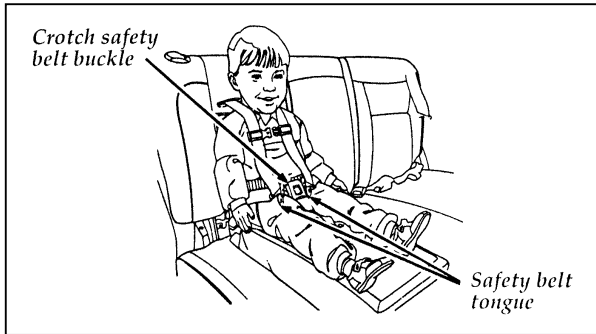


Figure 5: Shoulder safety belt placement on the child

NOTE: Read the following steps carefully to become familiar with the indicator windows located on each safety belt tongue and the chest clip. When either of the tongues or the chest clip is unbuckled, the color red appears in the window. When the tongues or chest clip are securely buckled, the color green appears.

7. Insert either the left or right safety belt tongue into the single opening of the crotch safety belt buckle as shown in Figure 6. (It does not matter which tongue is inserted first.) Then insert the other tongue. Allow belts to retract and fit snugly.

NOTE: The indicator window on each tongue must appear green when buckled.

NOTE: If a belt locks during extraction, allow belts to retract FULLY and repeat procedure.

⚠ WARNING

If both tongues do not latch in the buckle, do not use the child seat. See your dealer for repairs.

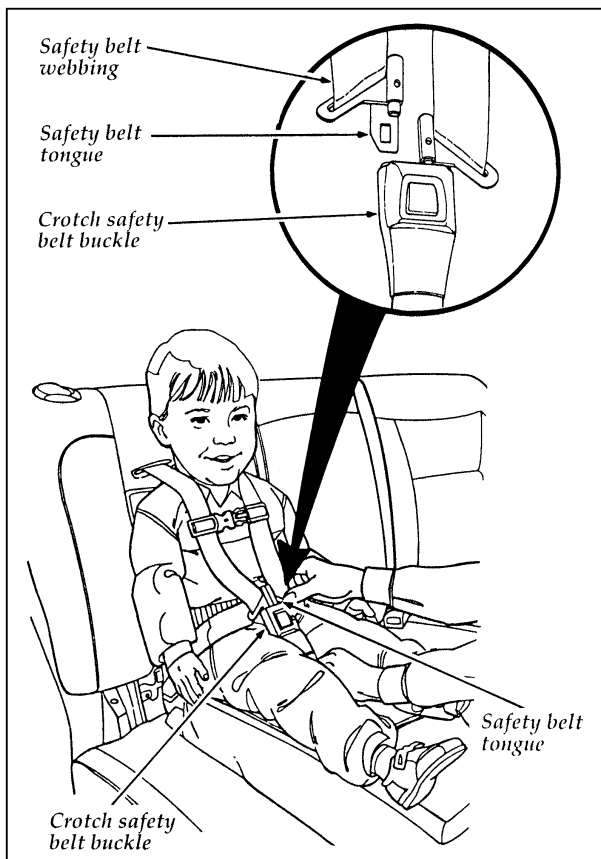


Figure 6: Fastening the crotch safety belt buckle

8. Fasten both halves of the chest clip below the child's shoulders and adjust it to comfortably hold the shoulder belts in place on the child's chest. The color green must appear in the indicator window when fastened. (The purpose of this clip is to position the shoulder belts correctly on the child's shoulders. The clip can be easily pulled apart and is designed to pull apart during a collision. The clip helps keep the belts on the shoulders of a sleeping or squirming child.) Refer to Figure 7.

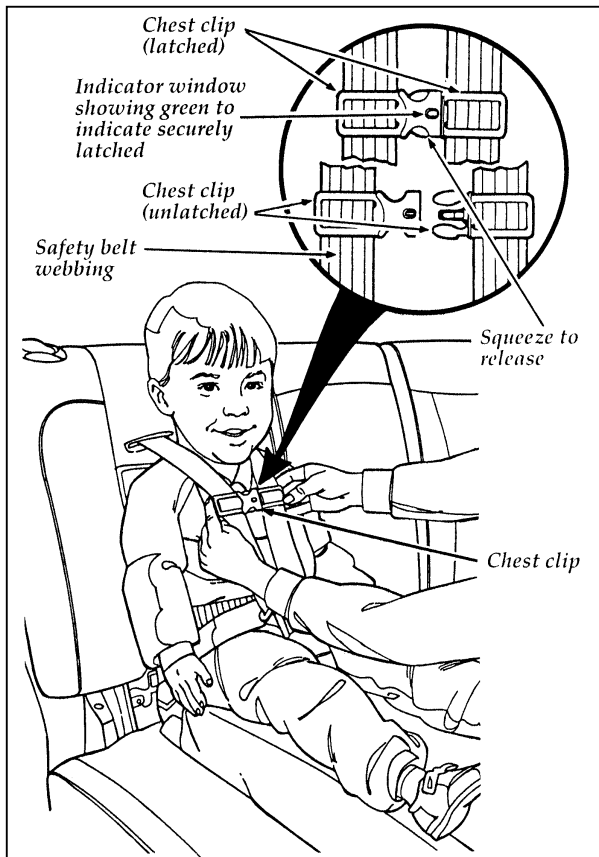


Figure 7: Securing the chest clip

9. Pull the shoulder belts out to ensure that the crotch safety belt buckle is securely fastened and the retractor is locked. Refer to Figure 8.

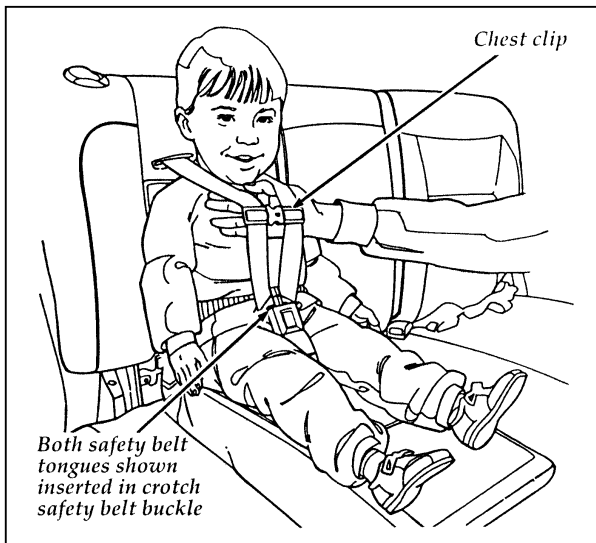


Figure 8: Checking for securely latched buckle and locked retractor

10. If the belts become too tight, unbuckle the crotch safety belt buckle, allow belts to retract, then reinsert both belt tongues.

To remove the child from the built-in child seat:

1. Squeeze the tabs on the top and bottom of the chest clip and pull the halves apart to open the chest clip. Refer back to Figure 7.
2. Press the release button on the crotch safety belt buckle.
3. Slide the shoulder belts off the child's shoulders and remove the child. Refer back to Figure 5.

To stow the built-in child seat:

1. Return the child seat cushion to the upright position.
2. Press firmly in the center and top of the child seat to place it in the stowed position.
3. Reattach the flap on the child seat to the top of the seatback.

The seat can now be used by an adult or the seatback can be folded down.

NOTE: The seatback cannot be folded down unless the child seat is fully stowed.

Inspection after a collision

⚠ WARNING

All built-in child restraints, including seats, buckles, retractors, seat latches, interlocks, and attaching hardware should be inspected by a qualified Dealer technician after any collision. If the child seat was in use during a collision, Ford recommends replacing it. However, if the collision was minor and a qualified technician finds that the child restraints do not show damage and continue to operate properly, they do not need to be replaced. Built-in child seats not in use during a collision should also be inspected and replaced if either damage or improper operation is noted.

Built-in child seat maintenance

Regularly inspect the lap and shoulder belts system of your child seat. See your Ford dealer if the shoulder belt webbing is frayed, or if the buckle and tongue are damaged and/or do not function properly.

Cleaning

Your built-in child seat may be cleaned with mild soap and water. Do not use household cleaners as they may weaken the webbing or damage the plastic parts. For your convenience, the liner is removable and can be machine-washed and air-dried.

Safety Belts for Children

Children who are too large for child safety seats should always wear safety belts. (See instructions with your child seat, or contact its manufacturer, to determine maximum size of child that will safely fit in the seat.)

 WARNING
If safety belts are not properly worn and adjusted as described, the risk of serious injury to the child in a collision will be much greater.

If the shoulder belt portion of one of the lap and shoulder belts can be positioned so that it does not cross or rest in front of the child's face or neck, the child should wear the lap and shoulder belt. Moving the child closer to the center of the vehicle may help provide a good shoulder belt fit.

To improve the fit of lap and shoulder belts on children who have outgrown child safety seats, Ford recommends use of a belt-positioning booster seat that is labelled as conforming to all Federal motor vehicle safety standards. Belt-positioning booster seats raise the child and provide a shorter, firmer seating cushion that encourages safer seating posture and better fit of lap and shoulder belts on the child. A belt-positioning booster should be used if the shoulder belt rests in front of the child's face or neck, or if the lap belt does not fit snugly on both thighs, or if the thighs are too short to let the child sit all the way back on the seat cushion when the lower legs hang over the edge of the seat cushion. You may wish to discuss the specific needs of your child with your pediatrician.

⚠ WARNING

Do not use a belt-positioning booster with a lap-only belt.

Lap belts and the lap belt portion of lap and shoulder belts should always be worn snugly and below the hips, touching the child's thighs.

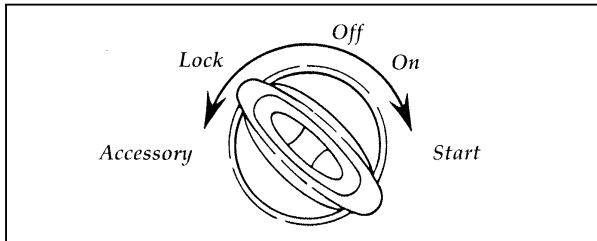
⚠ WARNING

To reduce the risk of serious injury in a collision, children should always ride with the seatback upright.

Starting Your Taurus

Ignition

Understanding the Positions of the Ignition



The positions of the key in the ignition

ACCESSORY allows some of your vehicle's electrical accessories such as the radio and the windshield wipers to operate while the engine is not running.

LOCK locks the steering wheel. It also locks the gearshift for all vehicles with an automatic transaxle.

The automatic transaxle gearshift must be in P (Park) to move the key to the LOCK position.

LOCK is the only position that allows you to remove the key. The LOCK feature helps to protect your vehicle from theft.

If the key is stuck in the LOCK position, move the steering wheel left or right until the key turns freely.

OFF allows you to shut off the engine and all accessories without locking the steering wheel or the automatic transaxle gearshift lever.

ON allows you to test your vehicle's warning lights (except the brake system warning light) to make sure they work before you start the engine. The key returns to the ON position once the engine is started and remains in this position while the engine runs.

START cranks the engine. Release the key once the engine starts so that you do not damage the starter. The key should return to ON when you release it. The START position also allows you to test the brake warning light.

Removing the Key From the Ignition

Procedures for removing the key from the ignition will be the same for both the column- and console-mounted gearshifts.

1. Put the gearshift in P (Park).
2. Set the parking brake fully.
3. Turn the ignition to the LOCK position.
4. Remove the key.

If you have difficulty in turning the key, rotate the steering wheel slightly because it may be binding.

If the driver's door is open while the key is still in the ignition, a warning chime sounds.

 WARNING
Always set the parking brake fully and make sure the gearshift is securely latched in P (Park).

⚠ WARNING

Do not leave children, unreliable adults, or pets alone in your vehicle. They could accidentally injure themselves or others through inadvertent operation of the vehicle. Further, on hot, sunny days, temperatures in a closed vehicle could quickly become high enough to cause severe and possibly fatal injuries to people as well as animals.

Starting Your Vehicle

Preparing to Start Your Vehicle

⚠ WARNING

Do not start your vehicle in a closed garage or other enclosed area. Never sit in a stopped vehicle for more than a short period of time with the engine running. Exhaust fumes are toxic. See *Guarding Against Exhaust Fumes* in this chapter for more instructions.

Before you start your vehicle, do the following:

1. Make sure all occupants in the vehicle buckle their safety belts. See *Safety Restraints* in the Index for more details.
2. Make sure your headlamps and other accessories are turned off and the parking brake is set.
3. Make sure that the gearshift is in P (Park) before you turn the key.

Before you start your vehicle, you should test the warning lights on the instrument panel to make sure that they work. Refer to the *Warning Lights and Gauges* chapter.

Starting Your Engine

To start your engine:

1. Follow the steps under *Preparing to Start Your Vehicle* at the beginning of this section.
2. Turn the ignition key to the ON position.
3. DO NOT depress the accelerator pedal when starting your engine. DO NOT use the accelerator while the vehicle is parked.
4. Turn the key to the START position (cranking) until the engine starts. Allow the key to return to the ON position after the engine has started.

If you have difficulty in turning the key, rotate the steering wheel slightly because it may be binding.

For a cold engine:

- At temperatures **10°F (-12°C) and below**: If the engine does not start in **fifteen (15) seconds** on the first try, turn the key to OFF, wait approximately ten (10) seconds so you do not flood the engine, then try again.
- At temperatures **above 10°F (-12°C)**: If the engine does not start in **five (5) seconds** on the first try, turn the key to OFF, wait approximately ten (10) seconds so you do not flood the engine, then try again.

For a warm engine:

- Do not hold the key in the START position for more than **five (5) seconds** at a time. If the engine does not start within five (5) seconds on the first try, turn the key to the OFF position. Wait a few seconds after the starter stops, then try again.

Whenever you start your vehicle, release the key as soon as the engine starts. Excessive cranking could damage the starter.

After you start the engine, let it idle for a few seconds. Keep your foot on the brake pedal and put the gearshift lever in gear. Release the parking brake. Slowly release the brake pedal and drive away in the normal manner.

NOTE: Your vehicle is equipped with an automatic transaxle and has an interlock that prevents you from shifting out of P (Park) unless your foot is on the brake pedal.

If the engine does not start after two attempts:

1. Turn the ignition key to the OFF position.
2. Press the accelerator all the way to the floor and hold it.
3. Turn the ignition key to the START position.
4. Release the ignition key when the engine starts.
5. Release the accelerator gradually as the engine speeds up. Then drive away in the normal manner.

If the engine still does not start, the fuel pump shut-off switch may have been triggered. For directions on how to reset the switch see *Fuel Pump Shut-Off Switch* later in this chapter.

A computer system controls the engine's idle speed. When you start your vehicle, the engine's idle speed normally runs high. These faster engine speeds will make your vehicle coast slightly faster than its normal idle speed. It should, however, slow down after a short time. If it does not, have the idle speed checked by your dealer or a qualified technician.

If the engine idle speed does not slow down automatically, do not allow your vehicle to idle for more than 10 minutes. Have the vehicle checked.

⚠️ WARNING

Extended idling at high engine speeds can produce very high temperatures in the engine and exhaust system, creating the risk of fire or other damage.

⚠️ WARNING

Do not park, idle, or drive your vehicle in dry grass or other dry ground cover. The emission system heats up the engine compartment and exhaust system, which can start a fire.

If you consistently start your vehicle in subzero temperatures, use an engine block heater (if your vehicle has this option).

Engine Block Heater (If equipped)

Engine block heaters are strongly recommended if you live in a region where temperatures reach -10°F (-23°C) or below. An engine block heater warms the engine coolant, which improves starting, warms up the engine faster, and allows the heater-defrost system to respond quickly.

To turn the heater on, simply plug it into a grounded 110-volt outlet. Ford recommends that you use a 110-volt circuit that is protected by a ground fault circuit interrupter.

For best results, plug the heater in at least three hours before you start your vehicle. Using the heater for longer than three hours will not damage the engine, so you can plug it in at night to start your vehicle the following morning.

⚠ WARNING

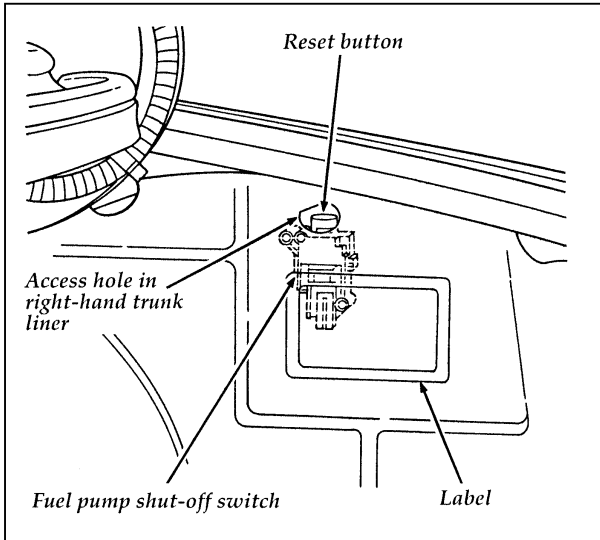
To prevent electrical shock, do not use your heater with ungrounded electrical systems or two-pronged (cheater) adapters.

If the Engine Cranks but Does Not Start or Does Not Start After a Collision

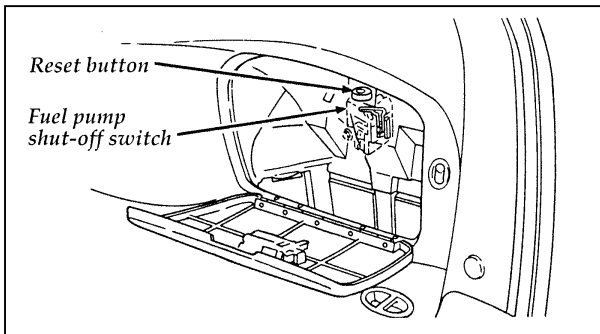
Fuel Pump Shut-off Switch

If the engine cranks but does not start or does not start even after a small collision, the fuel pump shut-off switch may have been activated. The shut-off switch is a device intended to stop the fuel pump when your vehicle has been involved in a substantial jolt.

Once the shut-off switch is activated, you must reset the switch by hand before you can start your vehicle. If you have a **sedan**, the switch is on the right side of the trunk behind the trunk liner. If you have a **wagon**, it is behind the service panel on the right side of the cargo area.



The right side of the trunk in the sedan



Inside the right side service panel in the wagon

⚠ WARNING

If you see or smell fuel, do not reset the switch or try to start your vehicle. Have all the passengers get out of the vehicle and call the local fire department or a towing service.

If your engine cranks but does not start after a collision or substantial jolt:

1. Turn the ignition key to the OFF position.
2. Check under the vehicle for leaking fuel.
3. If you do not see or smell fuel, push the red reset button on the fuel pump shut-off switch down.
4. Turn the ignition key to the ON position for a few seconds, then turn it to the OFF position.
5. Check under the vehicle again for leaking fuel. **If you see or smell fuel, do not start your vehicle again.** If you do not see or smell fuel, you can try to start your vehicle again.
6. Check all vehicle warning lights before driving the vehicle.

Pushing

Vehicles with automatic transaxles cannot be started by pushing. Follow the directions under *If Your Vehicle Needs a Jump-Start* in the *Roadside Emergencies* Chapter.

Guarding Against Exhaust Fumes

Carbon monoxide, although colorless and odorless, is present in exhaust fumes. Take precautions to avoid its dangerous effects.

 **WARNING**

Do not start your vehicle in a closed garage or other enclosed area. Never sit in a stopped vehicle for more than a short period of time with the engine running. Exhaust fumes are toxic. See *Guarding Against Exhaust Fumes* in this chapter for more instructions.

 **WARNING**




If you smell exhaust fumes inside your vehicle, have your dealer inspect your vehicle immediately. Do not drive if you smell exhaust fumes.

Have the exhaust and body ventilation systems checked whenever:

- your vehicle is raised for service
- the sound of the exhaust system changes
- your vehicle has been damaged in a collision

Improve your ventilation by keeping all air inlet vents clear of snow, leaves, and other debris.

If the engine is idling while you are stopped in an open area for long periods of time, open the windows at least one inch (2.5 cm). Also, adjust the heating or air conditioning system to bring in outside air.

- If you use the heater, set the fan speed on either medium or HI with the select knob on either  (floor) or VENT.
- If you use the air conditioner, set the fan speed on either medium or HI with the select knob on A/C. (Do not use MAX A/C.)
- If you use the automatic temperature control, set the fan speed on medium or high and press the  (panel and floor) or  (floor) manual override button. (Do not use AUTO or MAX A/C.)

Warning Lights and Gauges

In your vehicle, the warning lights and gauges are grouped together on the instrument panel. We call this grouping a cluster. Your vehicle has one of the following clusters:

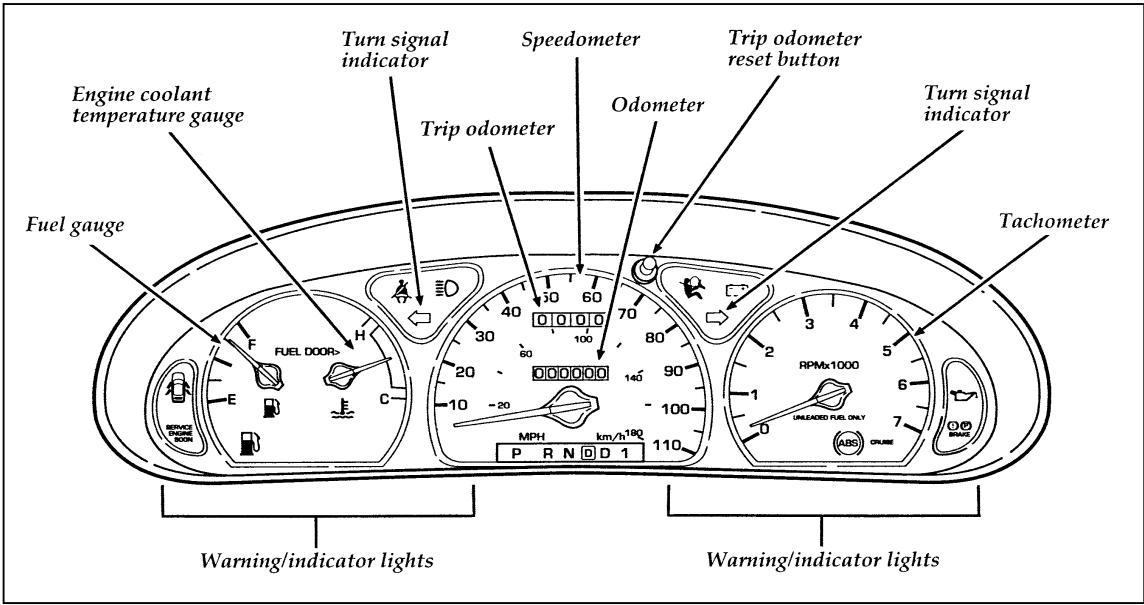
- Standard cluster
- Optional cluster
- SHO cluster

If you are not sure which cluster your vehicle has, check the diagrams on the following pages.

The Standard Cluster

The following warning lights and gauges are on the standard cluster. All of the warning lights and gauges alert you to possible problems with your vehicle. Some of the lights listed are optional. The following sections detail what each of these indicators means.

The standard cluster



Indicator Lights and Chimes

Safety Belt Warning Light and Chime

This warning light and chime remind you to fasten your safety belt. The following conditions will take place:

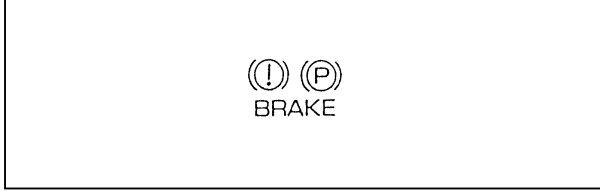
- If the driver's safety belt is not buckled when the key is turned to the ON position, the light will activate for 1 to 2 minutes and the chime will sound for 4 to 8 seconds.
- If the driver's safety belt is buckled while the light is on or the chime is sounding, both the light and the chime will turn off.
- If the driver's safety belt is buckled before the key is turned to the ON position, the light will briefly activate, then shut off and the chime will not activate.



Safety belt warning light

Brake System Warning Light

The warning light for the brakes can show two things — that the parking brake is not fully released, or that the brake fluid level is low in the master cylinder reservoir. If the fluid level is low, the brake system should be checked by your dealer or a qualified service technician.



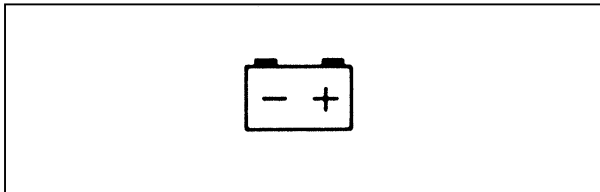
Brake system warning light

This light comes on when the parking brake is set, or if it is not set, it comes on briefly when you turn the ignition to the START position. It normally goes off shortly after the engine starts and you release the parking brake. If the light stays on after you have fully released the parking brake, have the hydraulic brake system serviced by your dealer or a qualified service technician.

⚠ WARNING
The BRAKE light indicates that the brakes may not be working properly. Have the brakes checked immediately.

Charging System Light

This light, shown as a battery symbol on your cluster, indicates that your battery is not being charged and that you need to have the electrical system checked.



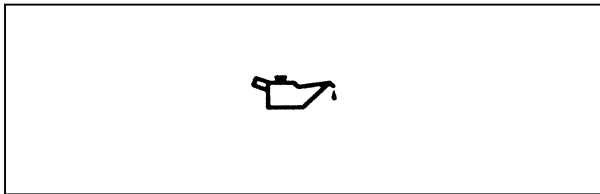
Charging system light

This light comes on every time you turn your ignition key to the ON or START position. The light should go off when the engine starts and the alternator begins to charge.

If the light stays on or comes on when the engine is running, have the electrical system checked as soon as possible.

Engine Oil Pressure Warning Light

This light indicates the engine's oil pressure, not the oil level. However, if the engine's oil level is low, it could affect the oil pressure. The light should come on every time the ignition key is turned to the ON or START position, and should turn off after the engine is running.



Engine oil pressure warning light

If the light stays on or turns on when the engine is running, the engine has lost oil pressure and continued operation will cause severe engine damage.

If you lose engine oil pressure:

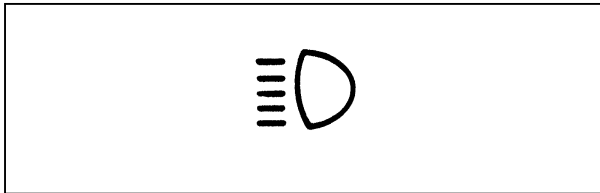
1. Pull off the road as soon as safely possible.
2. Shut off the engine immediately. If you do not stop the engine as soon as safely possible, severe engine damage could result.

3. Check the engine's oil level, following the instructions on checking and adding engine oil in this Owner Guide. (See *Engine oil* in the Index.) If you do not follow these instructions, engine damage could result. To ensure an accurate reading, your vehicle should be on level ground.
4. If the level is low, add only as much oil as necessary to bring it to the full level before you start the engine again. Do not overfill. Do not operate the engine if the light is on, regardless of the oil level. Contact your nearest dealer for further service actions.

High Beam Light

This light comes on when the headlamps are turned to high beam or when you flash the lights.

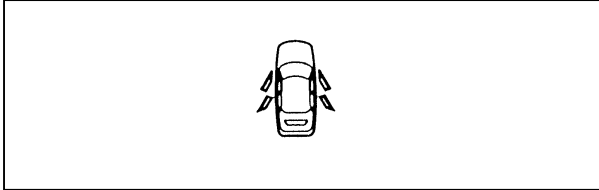
If your vehicle is equipped with Daylight Running Lamps (DRL), the high beam light will not come on when you flash the lights.



High beam light

Door Ajar Light and Chime

This light comes on and a single chime sounds if one of the doors or the liftgate or liftgate window (wagon) is not completely shut and the ignition is in the ON position.



Door ajar light

Chime for Headlamps On

This chime sounds if the driver or any passenger door is open when the parking lamps or headlamps are on. The chime sounds until you close the door, turn off the lamps or turn the ignition to the ON position.

A 3-second chime sounds after a 20-second delay if the ignition has been turned to the OFF position, the parking lamps or headlamps are on, and no door has been opened.

Air Bag Readiness Light

A problem with the system is indicated by one or more of the following: the readiness light will either flash or stay lit, or it will not light, or a group of five beeps will be heard.

WARNING

If any of these things happen, even intermittently, have the air bag system serviced at your Ford or Lincoln-Mercury dealer immediately.



Air bag readiness light

Service Engine Soon Warning Light

The Powertrain On-Board Diagnostic II (OBD II) system consists of the hardware and software necessary to monitor the operation of the powertrain. The OBD II system is designed to check the function of the vehicle's powertrain control system during normal operation. If an emission problem is detected, the Service Engine Soon light (in the cluster) is turned on.

Modification or additions to the vehicle may cause incorrect operation of the OBD II system. Additions such as burglar alarms, cellular phones, and CB radios must be carefully installed. Do not install these devices by tapping into or running wires close to powertrain control system wires or components.



Service engine soon light

This light comes on when you turn the ignition key to ON, but should turn off when the engine starts. If the light does not come on when you turn the ignition to ON or if it comes on and stays on when you are driving, have your vehicle serviced as soon as possible. This indicates a possible problem with one of the vehicle's emission control systems. You do not need to have your vehicle towed in.

If the light turns on and off at one (1) second intervals while you are driving the vehicle, it means that the engine is misfiring. If this condition persists, damage could occur to the engine or catalytic converter. Avoid heavy acceleration and have your vehicle serviced at the first opportunity. You do not need to have your vehicle towed in.

If the light turns on and off on rare occasions while you are driving, it means that a malfunction occurred and the condition corrected itself.

An example of a condition which corrects itself occurs when an engine running out of fuel begins to misfire. In this case, the Service Engine Soon Warning Light may turn on and will then set a Diagnostic Trouble Code indicating that the engine was misfiring while the last of the fuel was being consumed. After refueling, the Service Engine Soon Warning Light will turn off after the vehicle has completed three consecutive warm up cycles without a misfire condition occurring. A warm up cycle consists of engine start from a cold condition (engine at ambient temperature) and running until the engine reaches normal operating temperature.

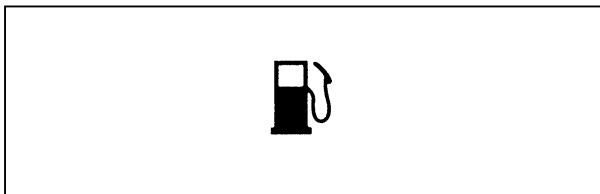
On the fourth engine start up, the Service Engine Soon Warning Light will turn off as soon as the engine begins to crank. It is not necessary to have the engine serviced.

Under certain conditions, the Service Engine Soon light may come on if the fuel cap is not properly installed. If the Service Engine Soon light comes on and you suspect that the fuel cap is not properly installed, pull off the road as soon as it is safely possible and turn off the engine. Remove and replace the fuel cap, making sure it is properly seated.

After completing the three consecutive warm up cycles and on the fourth engine start up, the Service Engine Soon warning light should turn off. If the light does not go off after the fourth engine restart, have your vehicle serviced by your dealer or a qualified technician.

Low Fuel Light

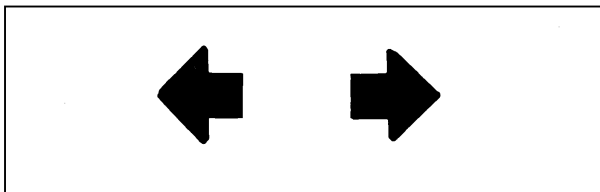
This light comes on when your fuel gauge indicates approximately 1/16 of a tank. The ignition must be turned to the ON position for this light to come on. This light will glow steadily.



Low fuel light

Turn Signal Indicator Lights

The turn signal arrow will flash to indicate the direction in which you are going to be turning.



Cruise Control Indicator Light (If equipped)

This light comes on when the cruise control ON switch is pressed. It turns off when the cruise control OFF switch is pressed or when the ignition is turned to the OFF position.

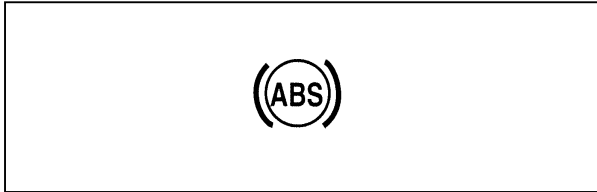


Cruise control indicator light

Anti-lock Brake System Warning Light (If equipped)

This light comes on for a few seconds when you turn the ignition key to the START position. It should go off shortly after the engine starts. If it stays on longer than five (5) seconds, it indicates that your anti-lock brake system may not be working properly. Normal braking is not affected unless the BRAKE system warning light also remains on for longer than six (6) seconds.

You should have your vehicle serviced immediately by your dealer or qualified service technician to restore the benefits of the anti-lock feature. See *Anti-lock brakes* in the Index for more information.



Anti-lock brake system warning light

Gauges

Fuel Gauge

The fuel gauge displays approximately how much fuel is in the fuel tank only when the ignition is in the ON position.

For proper fuel gauge indication after adding fuel, the ignition should be in the OFF position while the vehicle is being refueled.

The fuel gauge indicator may vary slightly when the vehicle is in motion.

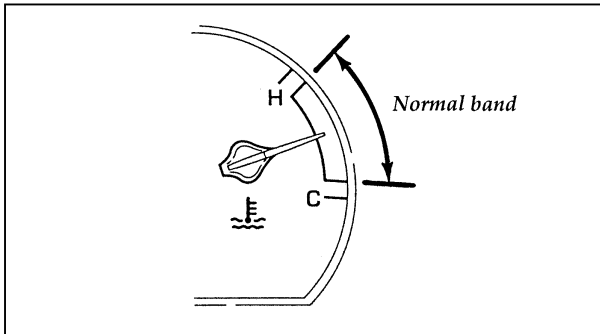
With the ignition in the OFF position, the fuel gauge indicator may drift from the ignition ON indication.

Engine Coolant Temperature Gauge

This gauge indicates the temperature of the engine coolant, not the coolant level. If the coolant is not at its proper level or mixture, the gauge indication will not be accurate.

The pointer moves from the C (cold) mark into the Normal band as the engine coolant warms up. It is acceptable for the pointer to fluctuate within the Normal band under normal driving

conditions. Under certain driving conditions, such as heavy stop and go traffic or driving up hills in hot weather, the pointer may move to the top of the Normal band.



Engine coolant temperature gauge

If, under any circumstances, the pointer moves above the Normal band, the engine coolant is overheating and continued operation may cause engine damage.

If your engine coolant overheats:

1. Pull off the road as soon as safely possible.
2. Turn off the engine.
3. Let the engine cool.
4. Check the coolant level following the instructions on checking and adding coolant to your engine, see *Engine Coolant* in the Index. If you do not follow these instructions, you or others could be injured.

If the coolant continues to overheat, have the cooling system serviced.

Speedometer

The speedometer tells you how many miles (kilometers) per hour your vehicle is moving.

Odometer

The odometer tells you the total number of miles (kilometers) your vehicle has been driven.

Trip Odometer

The trip odometer tells you how many miles (kilometers) your vehicle has been driven since the last reset. Press the reset button to return the trip odometer to zero.

Tachometer

The tachometer tells you the approximate engine revolutions per minute (how fast the engine is running). You may damage the engine if you drive with the indicator in the red zone.

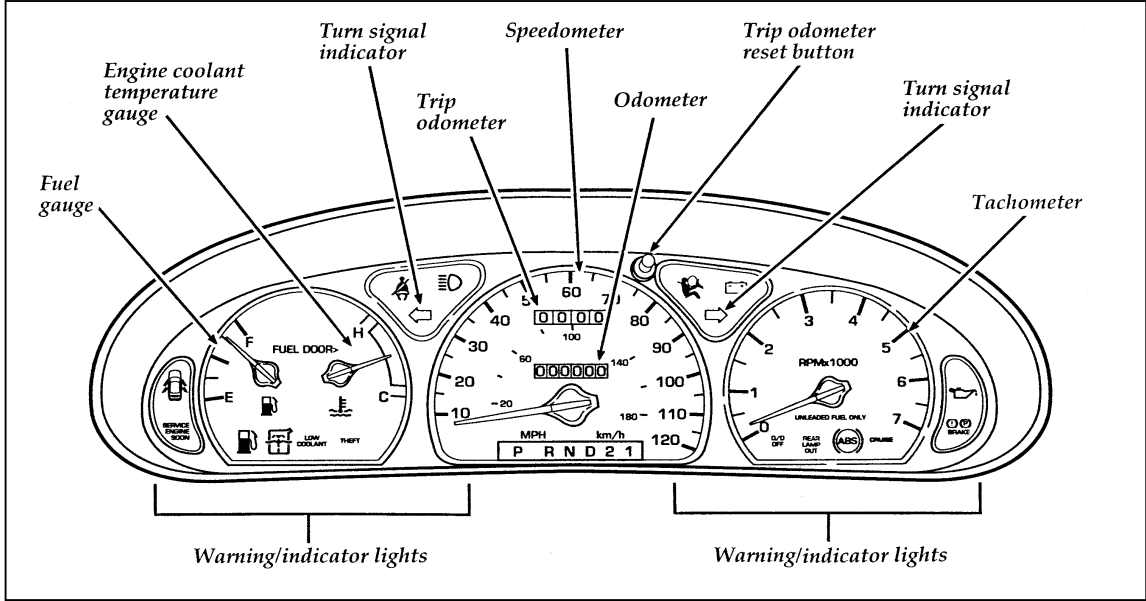
The Optional and SHO Clusters

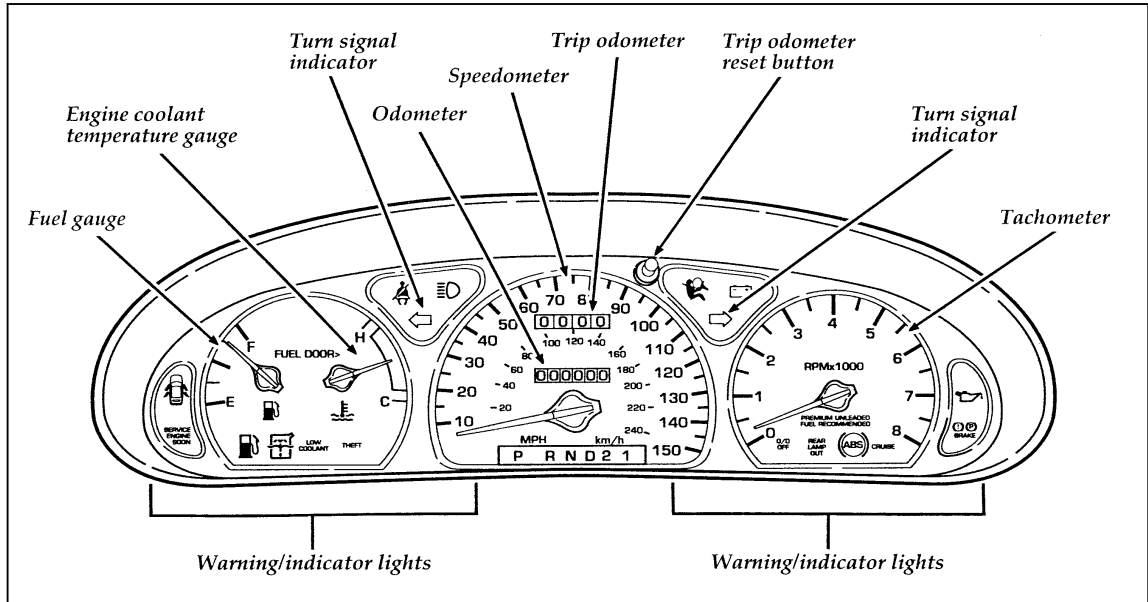
The optional cluster and the SHO cluster have indicator lights that are not on the standard cluster. For details about these lights, read the information below. To learn about the standard warning lights and gauges that come on all clusters, see *The Standard Cluster* earlier in this chapter.

The optional cluster has a 120 mph (200 km/h) speedometer and a 7,000 rpm tachometer.

The SHO cluster also has a 150 mph (240 km/h) speedometer and an 8,000 rpm tachometer.

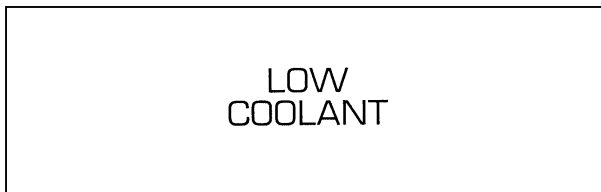
The optional cluster





Low Coolant Light and Chime

This light indicates that the level of the engine coolant is low inside the coolant reservoir.



Low coolant light

This light comes on for a few seconds when your ignition key is turned to the ON position, but should turn off when the engine starts. If the coolant is low, the light will come on and a single chime will sound. If this light stays on, check the level of coolant inside the coolant reservoir. For instructions on adding coolant mixture, see *Engine coolant* in the Index.

Low Washer Fluid Light

This light comes on if the reservoir is less than a quarter full when you turn on the windshield washers.



Low washer fluid light

Rear Lamp Out Indicator

This light indicates that a rear tail lamp or brakelamp is not functioning. It comes on momentarily when the ignition is turned to the ON position, then goes out.

This light will come on to show a rear tail lamp burnout when the light switch is turned to the parking lamp or headlamp position.

This light will come on to show a brakelamp burnout only when the brake pedal is pressed.

The light will stay on until the ignition is turned to the OFF position.



Rear lamp out light

NOTE: The warning light may not work or you may get a false reading if you use trailer lights or use improper replacement bulbs.

Anti-Theft Alarm Light

This light is used when you set the anti-theft alarm system. See *Anti-theft system* in the Index.



Anti-theft alarm light

Overdrive Off Indicator

This light tells you that the Overdrive Off (O/D OFF) switch on the gearshift lever has been pushed. When the light is on, the transaxle will not shift into overdrive. Depressing the O/D OFF switch located below the gearshift release button on the floor gearshift or located on the end of the column gearshift will return the vehicle to “overdrive on” mode. The transaxle will be in the “overdrive on” mode when the vehicle is started even if the “O/D OFF” mode was selected when the vehicle was last shut off.

If the light does not come on when the O/D OFF switch is depressed or if the light flashes when you are driving, have your vehicle serviced at the first opportunity. If this condition persists, damage could occur to the transaxle.



Overdrive off indicator

Instrument Panel Controls

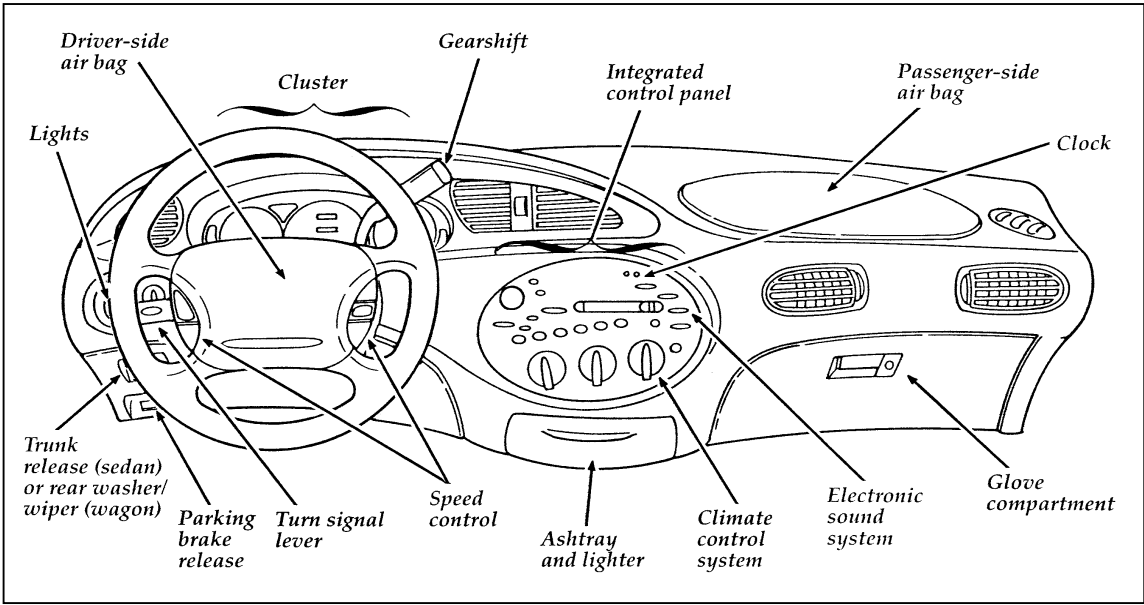
The main controls for the climate control system, clock, and radio are in the oval Integrated Control Panel on the instrument panel.

The controls for the lights and climate control air registers are also on the instrument panel.

Clean the instrument panel lens and woodtone trim with a soft cloth and a glass cleaner. Do not use paper towel or any abrasive cleaner to clean either the lens or the woodtone trim as these may cause scratches.

NOTE: Any cleaner or polish that increases the gloss (shine) of the upper part of the instrument panel should be avoided. The dull finish in this area is to help protect the driver from undesirable windshield reflection.

Instrument panel



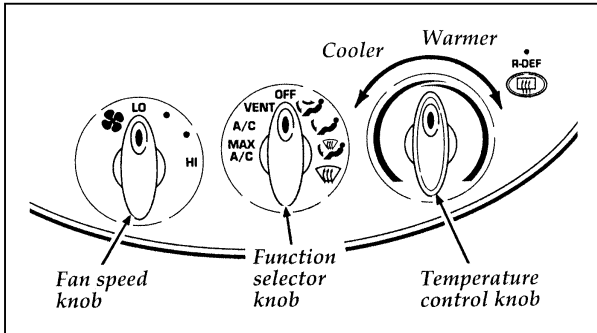
The Climate Control Systems

Your vehicle has one of the following climate control systems:

- Manual Heating and Air Conditioning System
- Electronic Automatic Temperature Control (EATC) System

If you are not sure which system your vehicle has, see the diagrams on the following pages.

Manual Heating and Air Conditioning System



The knobs that control the manual heating and air conditioning system

Fan speed knob

The fan speed knob controls the volume of air circulated in the vehicle. There are four fan speeds: LO, medium/low (first dot), medium/high (second dot), and HI.

Function selector knob

The function selector knob controls airflow to the inside of the vehicle.

MAX A/C

MAX A/C uses recirculated air to cool the vehicle. It allows for faster cooling but is noisier than A/C. The airflow will be from the instrument panel registers.

A/C

A/C uses outside air to cool the vehicle. It is quieter than MAX A/C, but not as economical. The airflow will be from the instrument panel registers.

VENT

VENT brings in outside air through the instrument panel registers. It can be used for heating or ventilating.

OFF


In OFF, outside air is shut out and the fan will not operate.

🌀 (Panel and floor)

This brings in outside air through the instrument panel registers and the front and rear floor ducts. It can be used for heating or ventilating.

🌀 (Floor)

This allows for maximum heating. The airflow is from the front and rear floor ducts.

 **(Floor and defrost)**

This brings in outside air through the floor ducts and the windshield defroster ducts. It can be used for heating or ventilation.

 **(Defrost)**

This brings in outside air through the windshield defroster ducts. It can be used to clear ice or fog from the windshield.

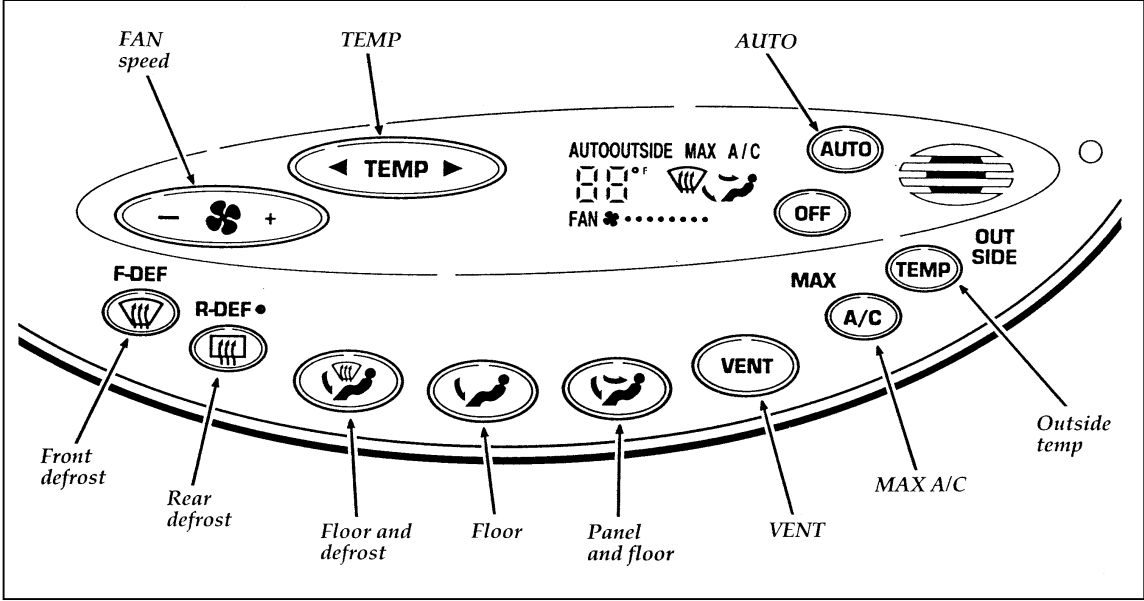
Temperature control knob

The temperature control knob may be adjusted from cool (blue range) to warm (red range).

Electronic Automatic Temperature Control System

The control for your Electronic Automatic Temperature Control (EATC) is located at the center of the instrument panel in the Integrated Control Panel and will operate only when the ignition is turned to the ON position.

The EATC feature maintains the temperature you select and automatically controls the airflow for your comfort. It also allows you to override the automatic operation with manual override buttons.



The Electronic Automatic Temperature Control System

To turn your EATC on, press the AUTO button or any of the six manual override buttons along the bottom of the control.

To turn your EATC off, press the OFF button. When the system is off, the Display window will be blank (dark).

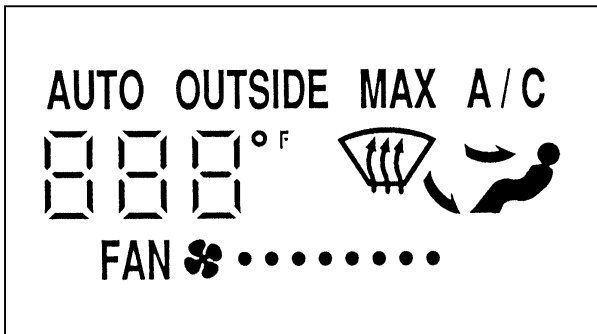
If you select AUTO, the system will automatically determine fan speed and airflow location. If a manual override button is selected, your selection determines airflow location only. Fan speed remains automatic unless you override it by pressing either side of the FAN speed button located at the extreme left of the control panel.

Temperature selection

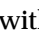
The TEMP button at the upper left of the Control is for temperature selection. The ► side of the TEMP button will increase the set temperature and the ◀ side of the TEMP button will lower the set temperature. Pressing the button and releasing it will change the set temperature one degree. Holding either side of the button in will rapidly change the temperature setting in one degree increments to either 65°F (18°C) or 85°F (29°C). Then, the set temperature will jump 5°F(3°C) and stop at either 60°F (16°C) which is maximum cooling or 90°F (32°C) which is maximum heating.

To change the temperature, select any temperature between 60°F (16°C) and 90°F (32°C) by pressing the ► or ◀ side of the TEMP button. The EATC will display the selected temperature.


If you want continuous maximum cooling, press the ◀ side of the TEMP button until 60°F (16°C) is shown in the display window. Your EATC will cool at maximum and disregard the 60°F (16°C) setting until you select a warmer temperature with the ▶ side of the TEMP button. If you want continuous maximum heating, press the ▶ side of the TEMP button until 90°F (32°C) is shown in the display window. Your EATC will provide maximum heat regardless of the 90°F (32°C) setting until you select a cooler temperature with the ◀ side of the TEMP button.



The display window

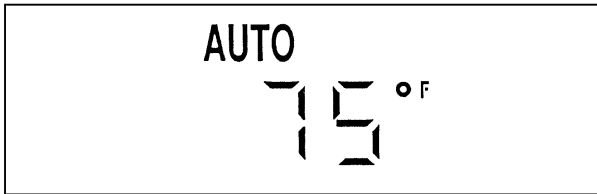
The display window will indicate the selected temperature and the operating function you have chosen: AUTO or one of the six manual overrides. It will also indicate manual control of the fan speed with the word FAN, , and dots. The display window with all possible displays and their positions are shown here. Normally not all are shown at the same time but are included here to familiarize you with the names and symbols.

Changing the display from fahrenheit to celsius

To change the temperature display from Fahrenheit to Celsius, depress the MAX A/C and  F-DEF at the same time and hold them down for about a second. To change back to the original setting, repeat the process. If the battery is disconnected, the display will revert to Fahrenheit and must be reset to Celsius.

Automatic operation

Press the AUTO button and select the desired temperature. The selected temperature and AUTO will be shown in the Display window. The EATC will automatically heat or cool to achieve the set temperature. Under normal conditions, your EATC will need no additional attention.




The AUTO temperature display


When in AUTO and weather conditions require heat, air will be sent to the floor. But a feature is included in your EATC to prevent blowing cold air to the floor if the engine coolant is not warm enough to allow heating. The EATC will direct the airflow to the windshield at low fan speed. In 3-1/2 minutes or less, the fan speed will start to increase and the airflow will change to the floor area.

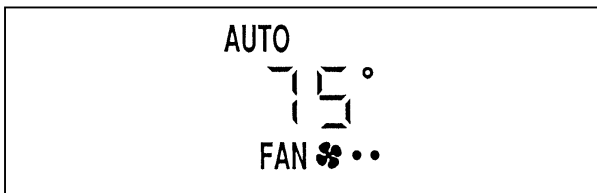
When in AUTO and weather conditions require cooling, the EATC will use outside air or recirculated air, depending on the temperature that is selected.

If unusual conditions exist (i.e., window fogging, etc.), the six manual override buttons allow you to select special air discharge locations. The fan speed button allows you to adjust the fan speed to suit your needs.

Fan speed button

Your EATC automatically adjusts the fan speed to the existing conditions. You must press AUTO for automatic fan speed operation. To control the fan speed yourself, use the button which will cancel the automatic fan speed control. The button is located at the left side of the EATC control panel. It is marked . Press the (-) side for lower speeds. Press the (+) side for higher speeds.

When you press the fan speed button, the fan speed will go to manual control. The display window will show the word FAN,  and a series of dots along with the selected temperature and operating function.



The fan display

You can override the fan speed at any time. If you use the button to control the fan speed, the EATC will continue to control the temperature but you control the fan speed. To return to auto fan control, press the AUTO button. If you are operating in one of the override functions (OFF, MAX A/C, etc.), automatic fan control will continue unless you press the fan speed button. To return to automatic fan control, press the AUTO button. The EATC will return to automatic operation. If you want to return to any override function, press the button for that function. The fan speed will continue to be automatically controlled.

Manual override buttons

Your EATC has six buttons which allow you to make special selections. The buttons are located along the bottom edge of the EATC and allow you to determine where the air will be discharged. Pressing any override button changes the air discharge location only. It does not affect the ability of the system to control temperature or the fan speed. Return to fully automatic operation by pushing the AUTO button.


MAX A/C button

The MAX A/C feature allows for faster cooling because air is drawn from inside the vehicle. Using inside air causes the fan to sound louder which is normal for this selection. The display window will change to indicate MAX A/C and the airflow will be from the instrument panel registers. To exit, push AUTO or any of the other five manual override buttons.




VENT button

Press this button to select outside air through the instrument panel registers. The display window will show the set temperature and VENT to the lower right of the temperature. Your EATC will heat the air if the temperature you have selected is warmer than the outside air coming into the vehicle. However, the air will NOT be cooled regardless of the temperature setting. Airflow will be from the instrument panel registers.


(Panel and floor) button

Push this button to get air from the floor and instrument panel registers at the same time. The display will show the set temperature and . Depending on the selected temperature, the air will be automatically heated or cooled.



(Floor)

Airflow will be to the floor when the  (floor) button is pressed. The display window will show the set temperature and  (floor) to the right of the temperature. Fan speed will be automatic unless manually controlled. If you override the fan speed and wish to return to automatic fan control, press AUTO. Then, again select  (floor) for airflow to the floor.

(Floor and defrost)

Press this button to get air to the floor and windshield defrosters at the same time. The display will show the set temperature and . If the outside temperature is about 50°F (10°C) and above, the air will be dehumidified to remove moisture. This will help to prevent fogging in humid weather.

F-DEF (Front defrost)

Press the  F-DEF (front defrost) button to obtain maximum airflow to the windshield. Adjust the temperature setting as required for defrosting. The Display window will show the temperature setting with  to the right of the temperature. When the outside temperature is about 50°F (10°C) and above, the air will be dehumidified to remove moisture. This will help prevent fogging in humid weather.

OUTSIDE TEMP button

When this button is pressed, the temperature of the air outside of the vehicle will show in the display window. If the EATC is off, the display will go blank after 4 seconds. If the EATC is on, the outside temperature will be shown until the OUTSIDE Temp button is pressed a second time or another override button is pressed.


NOTE: The outside temperature reading is most accurate when the vehicle is moving. Higher readings may be obtained when the vehicle is not moving. The readings that you get may not agree with temperatures given on the radio due to differences in vehicle and station locations.

Service

If your EATC is not operating as described here, take it to your dealer to have it checked. System diagnostics are built in which will allow your dealer to readily identify problems that might occur.

Operating tips

The following tips will help you to get the most satisfaction from your climate control system.

- In humid weather, select  F-DEF (front defrost) before driving. This will help to prevent windshield fogging. After a few minutes of operation, switch to any desired selection.
- Do not put objects under the front seats that interfere with the flow of air to the back seat area.
- Remove any snow, ice, or leaves from the air intake area of your climate control system which could block the air intake. The intake area is located at the bottom of the windshield, under the hood at the passenger side rear corner.
- If the air conditioner performs well in MAX A/C but not in A/C, this may indicate that the MicronAir[®] filter (if equipped) needs to be replaced.

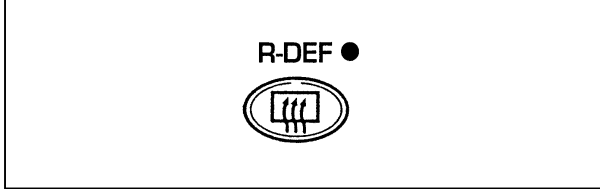
MicronAir[®] Air Filter (If equipped)

Your vehicle may have an air filter that removes pollen and road dust from outside air before it is directed to the interior of the vehicle. For maintenance of this filter, see *Servicing Your Taurus*.

Rear Window Defroster and Heated Side View Mirrors

The defroster for the rear window clears frost, fog, or thin ice from both the inside and outside of the rear window and activates the heated side view mirrors.

The button for the rear defroster and heated side view mirrors is on the instrument panel.

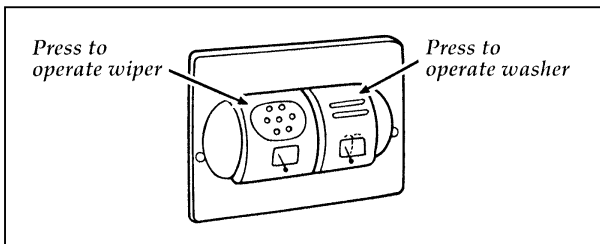


The button that controls the rear window defroster and heated side view mirrors

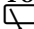
Clear away any snow that is on the rear window and side view mirrors before using the defroster. With the engine running, push the defrost button. After 10 minutes, the defroster will turn off. If the window and mirrors are still not clear, push the defroster button again. The defroster will turn off when the ignition key is turned to the OFF position.



NOTE: Never use sharp instruments or window cleaners with abrasives to clean the inside of your rear window. If you do, you may damage the heating elements that are bonded to the inside of the rear window and cause damage to the rear window defroster.

Liftgate Window Wiper and Washer (If equipped)



The liftgate window wiper and washer switches

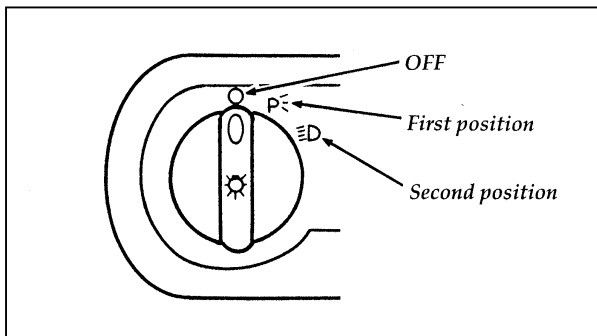
To turn on the liftgate window wiper, press the  switch. To turn the liftgate window wiper off, press the switch again.

To turn on the liftgate window washer, press the  switch. When the  switch is pressed, it also turns on the liftgate wiper.

The Interior and Exterior Lights

Turning On the Exterior Lights

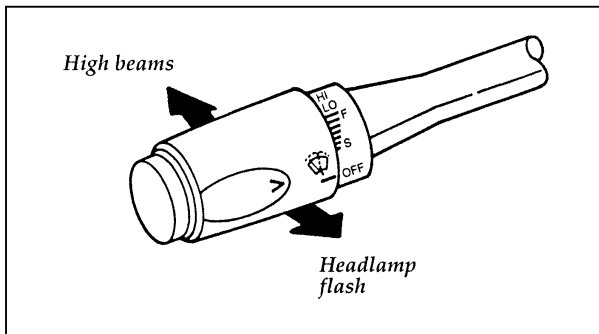
To turn on your headlamps, parking lamps, side markers, license plate lamps and tail lamps, use the knob that is to the left of the steering wheel.



The knob for the headlamps, parking lamps, license plate lamps and tail lamps

To turn on the parking lamps, side markers, license plate lamps and tail lamps, turn the knob to "P" or the first position.

To turn on the headlamps, parking lamps, side markers, license plate lamps and tail lamps, turn the knob to the second position.



Turning on the high beams

To change your headlamps from low to high beam, push the turn signal lever away from you. To change them back to low beam, pull the lever toward you.

For more information about how the high beam headlamps work, see *Steering column controls* in the Index.

Daytime Running Light System

(Canadian and fleet vehicles only)

The Daytime Running Light (DRL) system is designed to turn the high beam headlamps on, with a reduced light output and without illuminating the high beam indicator lamp in the instrument panel. The DRL system operates when all of the following conditions are met:

- The vehicle is “running.”
- The vehicle has a fully released parking brake.
- The headlamp system is in the OFF position.

NOTE: If you have a vehicle with an automatic lighting system, the DRL system is active until the automatic system turns on the headlamps.

NOTE: The high beam indicator will not turn on in the flash-to-pass mode during nighttime driving.

You may notice that the lights flicker when the vehicle is turned on or off. This is a normal condition.

 WARNING

The Daytime Running Light (DRL) system will not illuminate the tail lamps and parking lamps. Turn on your headlamps at dusk. Failure to do so may result in a collision.

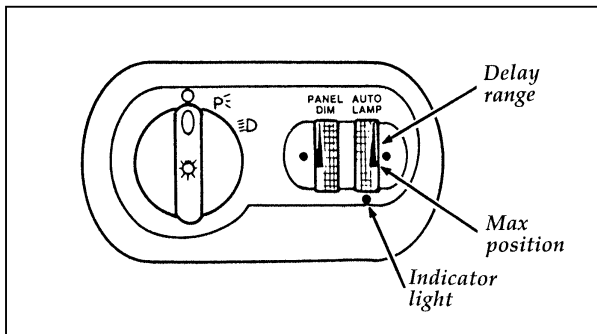
Cleaning the Exterior Lamps

Do not use dry paper towel, chemical solvents or abrasive cleaners to clean the lamps, as these may cause scratches or crack the lamps.

Setting the Autolamp Delay System (If equipped)

The autolamp sets the headlamps to turn on and off automatically. You can use the autolamp to:

- turn on the lamps automatically at night
- turn off the lamps automatically during daylight
- keep the lamps on for up to three minutes after you turn the ignition to the OFF position.



The autolamp system on the left side of the instrument panel

To set the autolamp:

1. Make sure the headlamp knob is in the OFF position. If the knob for the headlamps is ON, you cancel the autolamp.
2. Turn the ignition key to ON or start your vehicle.
3. Find the autolamp thumbwheel to the left of the steering wheel on the instrument panel.
4. Turn the autolamp thumbwheel past the stop to the beginning of the MAX position. The indicator light will come on.
5. The autolamp automatically turns the lamps on and off for you.

Do not put any articles on top of the photocell that is located in the top right corner of the instrument panel. This photocell controls the autolamp. If you cover it, the photocell reacts as if it is nighttime, and the lamps turn on.

To turn the autolamp off, move the thumbwheel back to OFF.

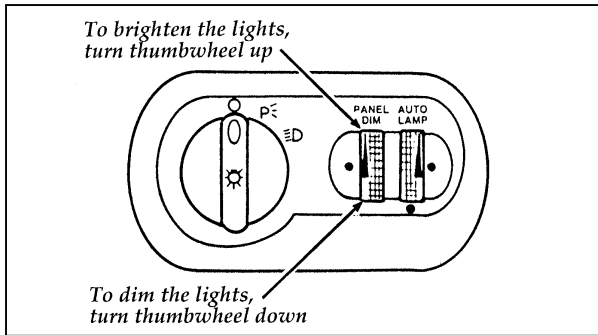
You can set the autolamp so the headlamps stay on for up to three minutes after you turn your vehicle off.

To keep the lamps on after you leave your vehicle:

- Turn the thumbwheel as far into the MAX range as you want.
- The further you move the thumbwheel into the DELAY area (toward the MAX position), the longer the lamps will stay on after you leave your vehicle. Similarly, if you move the thumbwheel only slightly into the DELAY area, your lamps will stay on only for a moment after you turn your vehicle off.

Lighting Up the Interior and Instrument Panel

With the light knob in the parking lamps or the headlamps position, you can brighten or dim the lights in the instrument panel. To do this, use the thumbwheel to the left of the steering wheel. This wheel also turns on the interior lights with the light knob on or off.



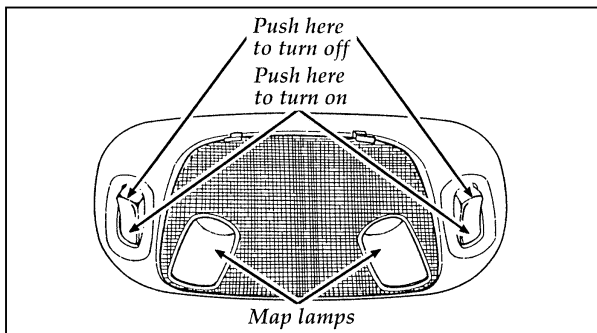
The thumbwheel that controls the light on the instrument panel

To dim the instrument panel lights, rotate the thumbwheel down. To turn on the interior lights, turn the thumbwheel all the way up. The interior lights also come on when any side door or the liftgate is opened.

Dome Lamps

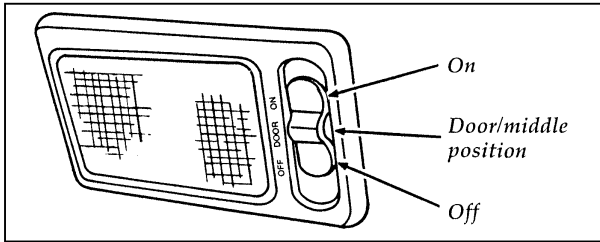
The front dome lamp is located overhead between the driver and front passenger seats. However, if your vehicle is equipped with a power moon roof, the dome lamp is located behind the moon roof.

In the wagon, the rear dome lamp is located overhead near the rear seating positions.



The dome/map lamp

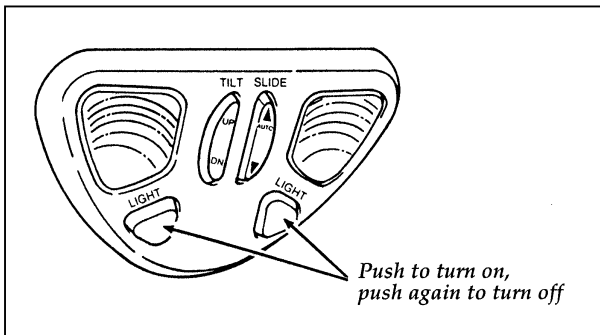
Turn the map lamps on and off with the switches on the lamp. The dome lamp illuminates when any door is opened. If either the driver's or passenger's front door is opened using the outside door handle, the light will remain on for 25 seconds after the door has been shut. If any other door is opened or if either of the front doors is opened using the inside handle, the lamp will immediately turn off when the door is closed.



The dome lamp

The dome lamp will stay illuminated if the switch is pushed to the ON position. The dome lamp will stay off if the switch is pushed to the OFF position. When the switch is positioned to the door/middle position, the dome lamp will come on when either of the front doors or the liftgate (wagon) is opened.

The rear dome lamp also illuminates when the liftgate is opened and goes off when it is closed.



The map lamps on the moon roof console

Turn each map lamp on the moon roof console on and off with the switch near that lamp.

Cleaning the Interior Lamps

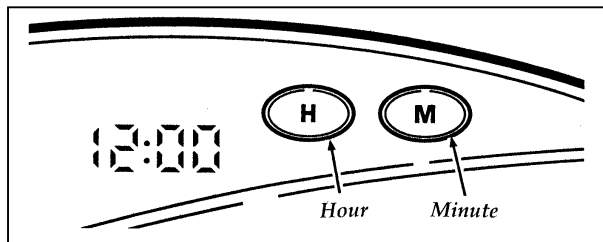
Your interior dome lamps and map lamps are plastic and should be cleaned with a mild detergent diluted in water. Rinse them with clear water.

Battery Saver

When the ignition is turned off, the vehicle will turn off battery voltage to the interior lights after 40 minutes.

This will prevent draining of the battery if those lights have been left on inadvertently or if a door is not completely closed. Battery voltage to these lamps will be restored when the outside front door handles are lifted, the keyless entry keypad is used, the remote entry transmitter is used, any door is opened, the trunk is opened, or the ignition key is turned to the ON position.

Clock



The digital clock

1. To set the hour, press and hold the hour button. When the desired hour appears, release the button.
2. To set the minutes, press and hold the minute button. When the desired minute appears, release the button.

Steering Column Controls

The controls on the steering column and wheel are designed to give you easy access to the controls while you are driving.

The Turn Signal Lever

You can use the turn signal lever on the left side of the steering column to:

- operate the turn signals
- turn the high beams on/off
- flash the lamps
- turn the windshield wipers and washer on/off

Turn Signals

Move the lever up to signal a right turn. Move it down to signal a left turn. The corresponding indicator light in the instrument cluster will flash.

If the turn signal stays on after you turn, move the lever back to the center (off) position.

For lane changes, move the lever far enough to signal but not to latch. The lever will return to the off position when you release it.

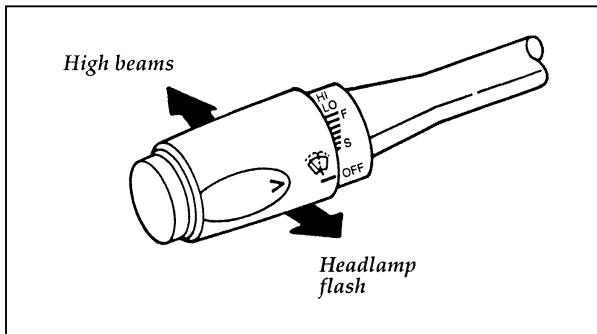
High Beams

To turn on the high beams, turn the headlamp control knob to the headlamp ON position and push the turn signal lever away from you until it latches. When the high beams are ON, the high beam indicator light on the instrument panel comes on.

To turn off the high beams, pull the lever toward you until it latches. The high beam indicator light turns off.

Flashing the Lights

To flash the headlamps, pull the lever toward you for a moment and then release it. The headlamps will flash whether the headlamp knob is in the on or off position.



The turn signal lever

Windshield Wipers and Washer

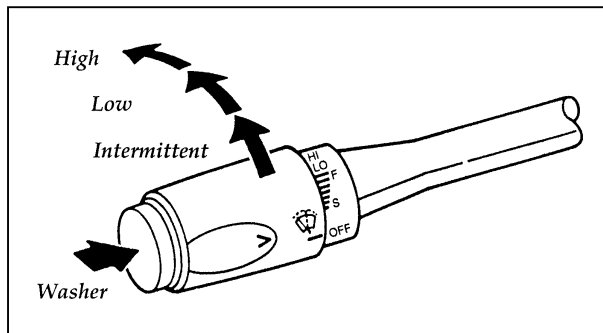
To turn on the windshield wipers, the ignition key must be turned to the ON or ACC position.

Turn the knob on the end of the turn signal lever away from you to activate the wipers. The first seven detents are interval wipe positions, the eighth detent is the LO position, and the ninth detent is the HI position.

To turn the wipers off, turn the knob toward you to the OFF position.

Variable Interval Wipers

In addition to two speed wipers, your vehicle has wipers that you can set to operate at varying intervals. For example, you can set the interval so they wipe less often when it drizzles or more often in heavier rain.



The variable interval wiper on the turn signal lever

To set the interval wipers, turn the knob at the end of the turn signal lever toward or away from you until the wipers are going at the desired interval.

Windshield Washer

To clean the windshield, push in the end of the wiper switch knob. For a constant spray, keep the knob pushed in. After you release the knob, the wipers operate for two to three cycles before turning off (if the wipers were off) or returning to HI, LO, or the interval setting selected.

For information about the rear washer on the wagon, see *Windshield washer fluid and wipers* in the Index.

If the washer does not work, check the washer fluid level and fill it if it is low. See the *Servicing Your Taurus* chapter. If there is enough fluid, consult your nearest Ford or Lincoln-Mercury dealer.

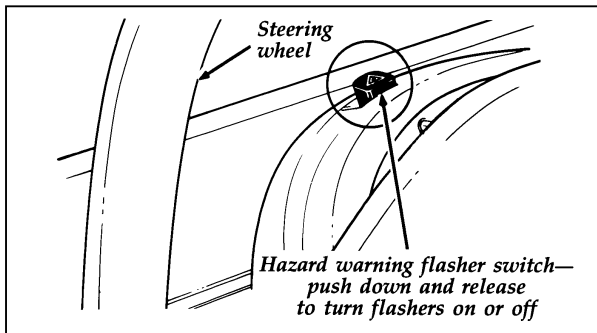
Do not try to clean the windshield when the washer fluid container is empty or activate the washers at any time for more than 15 seconds continuously. This could damage the washer pump system.

⚠ WARNING

In freezing weather, the washer solution may freeze on the windshield and obscure your vision. Always warm up the windshield with the defroster before you use the washer fluid. If you cannot see through the windshield clearly, it can increase the risk of being involved in a collision.

For information about refilling the washer fluid or replacing your windshield wiper blades, see *Windshield washer fluid and Wipers* in the Index.

Hazard Flasher



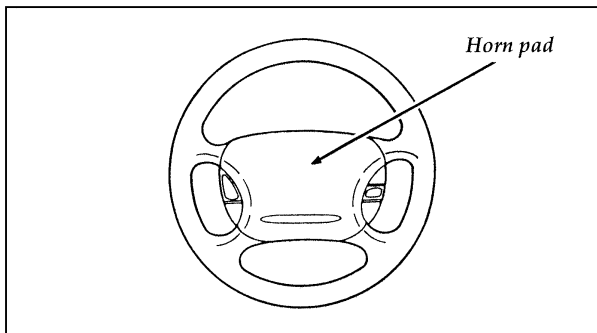
Using the hazard flasher switch

The hazard flasher serves as a warning to other drivers to be careful when approaching or passing your vehicle.

The flashers work whether your vehicle is running or not. The flashers work for up to two hours when the battery is fully charged and in good condition without draining the battery excessively. If the flashers run for longer than two hours or if the battery is not fully charged, the battery can be drained.

Horn

To sound the horn, push the center pad area of the steering wheel.

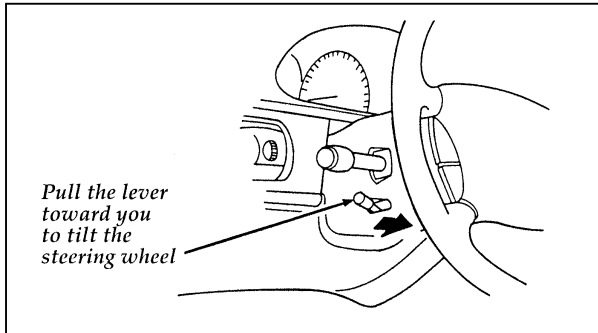


The horn on the steering wheel

Tilt Steering

WARNING

Never adjust the steering column/wheel when the vehicle is moving. You could lose control of the vehicle and injure someone.



The lever to tilt the steering wheel

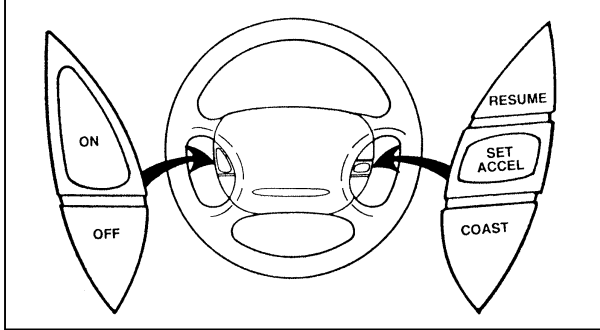
To change the position of the steering column/wheel, pull the release lever on the column toward you. Tip the steering wheel to the desired position. Release the lever to lock the steering wheel in place.

Cruise Control (If equipped)

If your vehicle has cruise control, you can automatically maintain a constant speed at or above 30 mph (50 km/h).

NOTE: Do not shift to N (Neutral) when using the cruise control. This will cause the engine to overspeed.

Use of radio transmitting equipment that is not Federal Communications Commission (FCC) or in Canada the Canadian Radio and Telecommunications Commission (CRTC) approved may cause the speed control to malfunction. Therefore, use only properly installed FCC (CRTC in Canada) approved radio transmitting equipment in your vehicle.



The cruise control buttons on the steering wheel

To set the cruise control:

1. Press and release the ON switch. The CRUISE indicator light in the instrument cluster will illuminate to indicate that speed control is in a standby mode.
2. Accelerate to the desired speed above 30 mph (50 km/h) using the accelerator pedal.
3. Press the SET ACCEL switch and release it immediately to set your speed. If you keep this switch pressed, your speed will continue to increase.
4. Take your foot off the accelerator pedal. Your vehicle will maintain the speed you set.

If you drive up or down a steep hill, your vehicle may momentarily slow down or speed up, even though the speed control is on. This is normal.

NOTE: If your speed increases above your set speed while driving in **D** (Overdrive) on a downhill grade, you may want to shift to **D** (Drive) to reduce vehicle speed (or, turn **D** [Overdrive] off by depressing the O/D OFF switch on the gearshift lever). The cruise control cannot reduce the vehicle speed if it goes above your set speed on a downhill grade. For the best fuel economy during normal driving conditions, leave the gearshift in **D** (Overdrive), or resume as soon as practical.

⚠ WARNING

Do not use the speed control in heavy traffic or on roads that are winding, slippery, or unpaved.

Accelerating With the Cruise Control Operating

You can use the accelerator pedal to speed up momentarily. When you take your foot off the accelerator, the vehicle will return to the set speed.

NOTE: When driving in hilly terrain, at high altitudes, or when pulling a trailer, you may want to drive in **D** (Drive) (or turn **D** [Overdrive] off by depressing the O/D OFF switch). This will improve cruise control performance.

NOTE: When driving uphill, especially with a heavy load, you may notice your speed decreasing even if you have the cruise control set. If the speed drops more than 8 to 14 mph (13-23 km/h) it is normal for the automatic cruise control feature to be cancelled. You may need to use the accelerator pedal to help your vehicle maintain the selected speed when driving up steep grades.

Resetting the Cruise Control

To reset the cruise control to a **lower speed**, use one of the following procedures:

- COAST** — Press and hold the COAST switch. Release the switch when the vehicle slows down to the desired speed.
- Lightly tap the brake pedal. When the vehicle attains the desired speed, press the SET ACCEL switch and release it immediately.
- TAP-DOWN** — Press and then quickly release the COAST switch. Each time you “tap” the switch, the set speed will decrease by 1 mph (1.6 km/h). Multiple taps will cause the set speed to decrease in increments of 1 mph (1.6 km/h). For example, if the current set speed is 60 mph (96 km/h) 5 taps of the COAST switch will decrease the vehicle speed and SET it at 55 mph (88 km/h).

If vehicle speed is reduced below 30 mph (50 km/h) by any of the above methods, then you must manually accelerate to a speed over 30 mph (50 km/h) and reset the system.

To reset the cruise control to a **higher speed**, use one of the following procedures:

- ACCEL** — Press and hold the SET ACCEL switch. Release the switch when the vehicle has accelerated to the desired speed.
- Depress the accelerator pedal. When the vehicle attains the desired speed, press the SET ACCEL switch and release it immediately.
- TAP-UP** — Press and then quickly release the SET ACCEL switch. Each time you “tap” the switch, the set speed will increase by 1 mph (1.6 km/h). Multiple taps will cause the set speed to increase in increments of 1 mph (1.6 km/h). For example, if the current set speed is 55 mph (88 km/h) 5 taps of the SET ACCEL switch will increase the vehicle speed and SET it at 60 mph (96 km/h).

Cancelling and Resuming a Set Speed

If you press the brake pedal, cruise control is cancelled. You can return to the set speed by pressing the RESUME switch, as long as you did not press the OFF switch. You must be driving at least 30 mph (50 km/h).

Your vehicle will gradually return to the previously set speed and then maintain it.

To Turn Off the Cruise Control System

Press the OFF switch.

In addition, the cruise control is turned off each time you turn the vehicle ignition off.

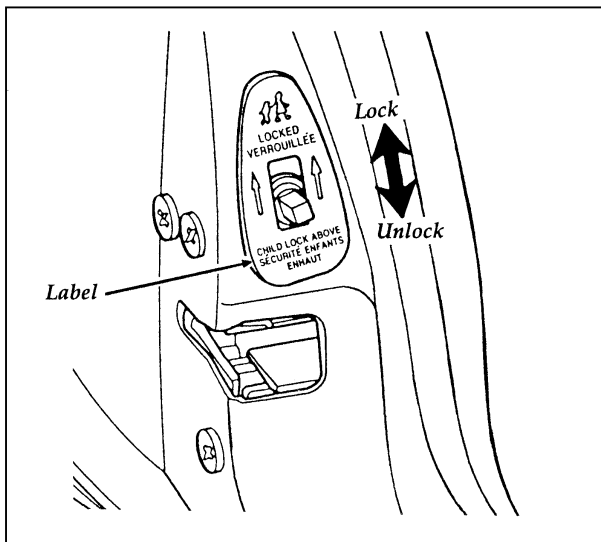
Features

Your vehicle has a variety of features designed for your comfort, convenience and safety. Read this chapter to find out about standard and optional features.

Doors

Childproof Locks

In addition to standard or power locks, your vehicle has childproof locks for the rear doors. If you set these locks, the doors cannot be opened from the inside of the vehicle. The doors can still be opened from the outside when the lock knobs are raised.



The childproof locks for the rear door

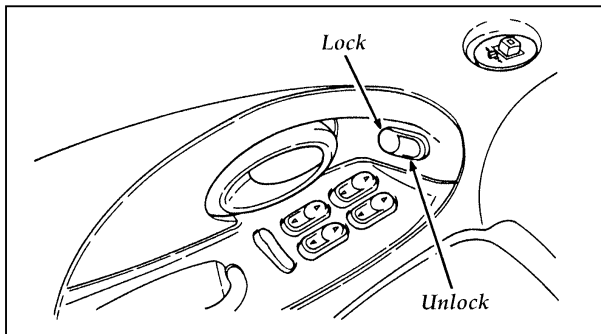
To set the childproof lock on each rear door, open the rear door.

Find the lever inside the label. Move the lever up to the locked symbol.

To release the childproof lock, open the rear door from the outside. Move the lever down to the unlocked symbol.

Power Door Locks (If equipped)

If your vehicle has power door locks, the controls to lock the doors are on the trim panel of the front door. When you close the doors after you set the door locks, the doors remain locked. If the power mechanism ever fails, the manual door lock will override the power controls.



The power locks on the driver's door

If the key is left in the driver's or passenger's outside lock cylinder for a period of time, the power door locks may cycle. This is a protective feature and will not harm the locks. When the key is removed, the locks will function normally.

Central Locking

When you are unlocking the driver or front passenger door with the key, turn it once toward the front of the vehicle to unlock that door only. Turn the key a second time to unlock all doors. Turn the key once toward the rear of the vehicle to lock all doors.

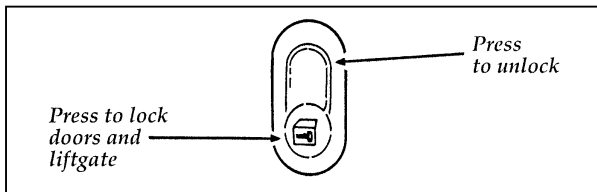
Lock Disable

The lock disable feature helps prevent you from locking the keys in your vehicle. With the key in the ignition (in any switch position) and the driver's door open, the driver's door cannot be locked using the front door power lock switch.

Your vehicle can still be locked, while the key is in the ignition, by manually pressing down the lock button.

Power liftgate lock — wagon (If equipped)

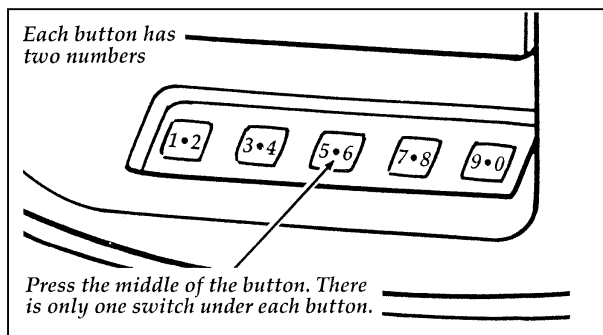
The power liftgate lock is on the right inside trim panel in the cargo area. When this lock is pressed, all doors and the liftgate lock.



The power liftgate lock

Using the Keyless Entry System (If equipped)

If your vehicle has the keyless entry system, you can lock or unlock the vehicle doors without using a key. The buttons for the system are near the outside door handle on the driver's side. See also *Remote Entry System* which follows this description.



Keyless entry buttons

When you bought your vehicle, you were given a computer code that operates the system for your vehicle. For your convenience, we have duplicated this code in two places.

The code is:

- on your owner's wallet card found in the glove compartment
- taped to the computer module

When you use this entry system, the illuminated entry system turns on the interior lights for 25 seconds and the buttons on the keypad light up for 5 seconds. Do not push the buttons with a key, ballpoint pen, pencil or any other hard object. These objects could damage the buttons.

Programming your own entry code

You can program a personal code to unlock your vehicle with the keypad. This code does not replace the permanent code that the dealership gave you. Use your personal code in the same manner as you would your original code.

To program your own code:

1. Select five digits for your personal code.
2. Enter the permanent code that the dealership gave you.
3. Within five seconds, press 1/2.
4. Within five seconds of pressing 1/2, enter your personal code, pressing each digit within five seconds of the previous digit.

The keyless entry system registers this second code. To open your vehicle, you can now use either code. The module remembers only one personal code at a time. Entering a second personal code will erase the first, replacing it with the new second one.

To erase your personal code:

1. Enter the original permanent code.
2. Press 1/2 within five seconds of Step 1.
3. Wait six seconds.

The keyless entry system automatically erases your personal code. The system will now only respond to the permanent code.

Do not set a code that presents the numbers in sequential order, such as 1/2, 3/4, 5/6, 7/8, 9/0. Studies show that people who idly press the buttons usually press a sequential pattern. Also, do not select a code that uses the same button five times. Thieves can easily figure out these types of codes.

Unlocking the doors with the keyless entry system

You must unlock the driver's door before you unlock any of the other doors. If you let more than five seconds pass between pressing numbers, the system shuts down, and you have to enter the code again. The system has shut down if the keypad light is out. If the keyless entry system does not work properly, use the key or transmitter(s) to lock and unlock the doors.

1. To unlock the driver's door, enter the factory code or your personal code. All codes have five numbers. After you press the fifth number, the driver's door unlocks.
2. To unlock the passenger's door(s) and liftgate (wagon), press the 3/4 button within five seconds of unlocking the driver's door or re-enter the code to open the driver's door, then press 3/4.
3. To open the trunk (sedan) or unlock the liftgate (wagon), enter the five-digit factory code, then press the 5/6 button within 5 seconds.

Locking the doors with the keyless entry system

Along with unlocking your doors, you can use the keyless entry system to lock the doors. You can also use the Autolock feature to automatically lock the doors after you get in the vehicle.

To lock all of the doors, press 7/8 and 9/0 at the same time. It is not necessary to first enter the keypad code. This will arm your factory installed anti-theft system, if so equipped.

Arming, disarming and resetting your perimeter anti-theft system (If equipped) from the keyless entry pad

If your vehicle is equipped with the optional factory installed anti-theft system, the keyless entry system will arm it when you use the 7/8 and 9/0 keys to lock the doors, and will disarm or reset a triggered anti-theft alarm when you enter in the five digit code to unlock the driver's door.

NOTE: Doors and the liftgate must be fully closed for the anti-theft system to arm. Refer to the *Anti-Theft System* section in this chapter for more details.

Autolock (If equipped)

The Autolock feature is part of your remote keyless entry system and is enabled at the factory. With the Autolock feature enabled, all of the doors will automatically lock when:

- the vehicle doors and liftgate are fully closed
- the ignition key is turned to the ON position
- the brake pedal is pressed
- you shift through (Reverse)
- one second has elapsed after the brake pedal is released

The Autolock feature will repeat when:

- a door is opened and then all doors and liftgate are closed
- the brake pedal is released

The doors may not lock automatically at the correct time if the driver:

- shifts through gears without pressing the brake
- shifts through gears quickly after starting the vehicle
- releases their foot from the brake while someone has stepped out of the vehicle for a moment

You can deactivate the system by using the buttons for the keyless entry system if you don't want to use the Autolock feature.

To deactivate the Autolock system:

1. Enter your permanent five-digit entry code (not the personal code you may have set).
2. Within 5 seconds, press and hold 7/8.
3. Within 5 more seconds, press and release 3/4.
4. Release 7/8.

To reactivate the Autolock system, simply repeat the instructions for deactivating the system. By re-entering the code that deactivates the Autolock, the keyless entry system reinstates the Autolock feature.

You can also deactivate or reactivate the Autolock feature by this method:

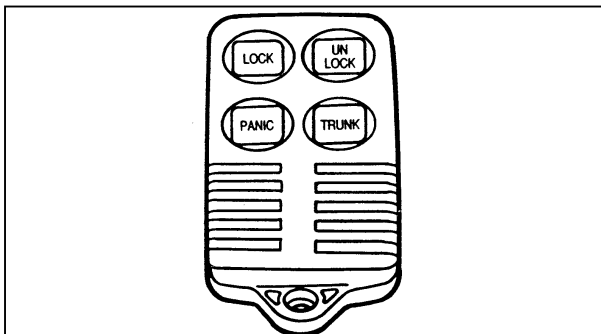
1. Make sure the anti-theft system is not armed or triggered, ignition is off, and all doors and liftgate are closed.
2. Turn the ignition key from OFF to RUN.
3. Press the door power unlock button 3 times.
4. Turn the ignition key from RUN to OFF.
5. Press the door power unlock button 3 times.
6. Turn the ignition key back to RUN within 30 seconds of step 2.
7. The horn should chirp once. If not, wait 30 seconds and repeat steps 1 through 6.
8. Press the door power unlock button.
9. Press the door power lock button.
10. The horn will chirp once if the Autolock feature was deactivated, twice (one short chirp followed by a long chirp) if the Autolock feature was activated.
11. Turn the ignition OFF.

Remote Entry System (If equipped)

If your vehicle has the remote entry system, you can lock or unlock the vehicle doors and liftgate without using a key. The remote also has a personal alarm feature. The buttons for the system are located on the two hand held transmitters that came with your vehicle.

The system will work with up to four transmitters. Your vehicle came with two transmitters. Additional transmitters can be ordered from your dealer.

The remote entry features only operate with the ignition in the OFF position.



Remote entry transmitter

Unlocking the doors with the remote entry system

To unlock the driver's door, press the UNLOCK button.

To unlock the other doors and liftgate (wagon), press the UNLOCK button a second time, within five seconds after the first UNLOCK.

To open the trunk (sedan), press the TRUNK button.

To unlock the liftgate (wagon), press the TRUNK button. To open the liftgate, you must press the liftgate release located above the license plate.

Locking the doors with the remote entry system

To lock all the doors and liftgate (wagon), press the LOCK button. This will also arm the factory installed Anti-Theft system.

If you would like a signal that the doors are being locked, press the LOCK button again within five seconds. If all doors and the liftgate are completely closed, the doors and liftgate will lock again, the horn will chirp and the external lamps will flash. If a door or the liftgate is open or ajar, the horn will give two short chirps warning you that a door or the liftgate is open.

Remote entry personal alarm

If you wish to activate the remote entry system personal alarm, press the PANIC button. This will honk the horn and flash the lights for approximately 2 minutes 45 seconds. You can turn it off by pressing the PANIC button again from the transmitter or by turning the ignition to the ON or ACCESSORY position.

When you use the remote entry UNLOCK or PANIC buttons, the illuminated entry system turns on the vehicle's interior lights for 25 seconds. You can turn these lights off with the remote entry LOCK button or by turning the ignition to the ON or ACCESSORY position.

THIS DEVICE COMPLIES WITH PART 15 OF THE FCC RULES. OPERATION IS SUBJECT TO THE FOLLOWING TWO CONDITIONS: (1) THIS DEVICE MAY NOT CAUSE HARMFUL INTERFERENCE, AND (2) THIS DEVICE MUST ACCEPT ANY INTERFERENCE RECEIVED, INCLUDING INTERFERENCE THAT MAY CAUSE UNDESIRE OPERATION.

Arming and Disarming the Alarm System with Remote Entry

Your Remote Entry System will automatically arm the factory installed Anti-Theft System when the doors are locked, and automatically disarm it when the doors are unlocked. The remote will also reset the anti-theft alarm (when the driver's door is unlocked or the PANIC button is pressed on a programmed remote entry transmitter) if it was triggered.

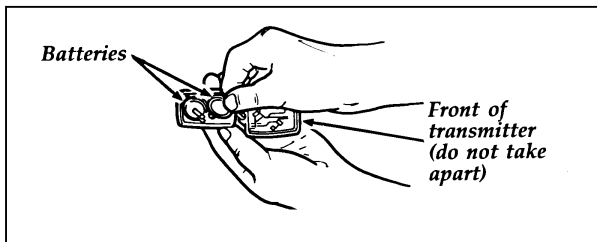
The remote entry system may not arm and disarm non-factory installed anti-theft systems.

Replacing the batteries

The remote entry transmitter is powered by two coin type three-volt lithium 2016 batteries (included) that should last for several years of normal use. If you notice a significant decrease in operating range, the batteries should be replaced. Replacement batteries can be purchased at most pharmacies, watch stores or at your Ford or Lincoln-Mercury dealer.

NOTE: The operating range of the remote entry system can also be affected by weather conditions (such as very cold temperatures) or structures around the vehicle (buildings, other vehicles, radio and TV towers, etc.). Typical operating range will allow you to be up to 33 feet (10 meters) away from your vehicle.

The transmitter can be snapped apart to replace the batteries by twisting a thin coin between the two halves of the transmitter. **DO NOT TAKE THE FRONT PART OF THE TRANSMITTER APART.** When installing the new batteries, be sure to place the positive (+) side down as marked. Snap the two halves back together.



Replacing the batteries

Replacing lost transmitters

In the event a transmitter is lost, you should take all your vehicle's transmitters to your dealer to have the remote entry system deprogrammed for the lost transmitter. This is necessary to prevent further unauthorized use of the lost transmitter.

You can also purchase additional transmitters (up to 4 transmitters can be used) from your dealer. You will need to take all your transmitters to the dealer so they can program them to the remote entry system all at the same time.

Illuminated Entry System

This system will provide illumination of the vehicle's interior courtesy lamps when either outside driver's door keypad is pressed or when the remote entry system is used to unlock the door or sound the personal alarm. The system will automatically turn off after approximately 25 seconds or when the ignition is turned to the RUN or ACC position.

NOTE: The inside lights will not turn off if you have turned them on with the dimmer thumbwheel or if any door is open.

Perimeter Anti-Theft System (If equipped)

When armed, this system helps protect your vehicle against break-ins or theft.

When an unauthorized entry occurs, the system triggers and will:

- flash the headlamps, parking lamps, and theft indicator lamp
- honk the horn

Arming the system

The system is ready to arm any time the ignition switch is turned OFF and the alarm is not triggered or sounding. Any of the following events will prearm the anti-theft system:

- Pressing the remote entry transmitter LOCK button to lock the doors (with the doors open or closed).
- Pressing the 7/8 and 9/0 buttons on the Keyless Entry Keypad at the same time to lock the doors (with the doors open or closed).

- Opening a door and pressing the power door lock button to lock the doors.
- Turning the driver's or front passenger's door key to the LOCK position to centrally lock all doors (with the doors open or closed).

If a door or liftgate (wagon) is open, the anti-theft system is prearmed and waiting for all doors to close. The THEFT indicator in the instrument panel will light continuously while the system is prearmed.

Once all doors and liftgate (wagon) are closed, if any were open, the system will begin a 30 second countdown to become armed. The 30 second countdown allows people who may still be in the vehicle time to exit without triggering the alarm. The THEFT indicator will glow steadily until the system is armed. When the system is armed, the THEFT indicator will begin to flash with short flashes every 2 seconds until the system is triggered or disarmed.

Remember, all doors and liftgate (wagon) must be fully closed for the anti-theft system to arm. If a door or liftgate (wagon) has been left open or ajar, and you press the remote entry transmitter twice to confirm the doors are locked, two short horn chirps will warn you that the anti-theft system is not arming.

The anti-theft system is designed to work with the factory installed remote entry system. It may not work with other remote entry systems.

When you get a single horn chirp by pressing the LOCK button twice within 5 seconds on your remote entry transmitter, you can be assured that all doors are locked and the anti-theft system is arming.

Disarming the system

An armed or activated system can be disarmed if you:

- Unlock the doors by pressing the remote entry transmitter UNLOCK button.
- Unlock the doors by entering the unlock code on the keyless entry keypad.
- Unlock any door or the liftgate (wagon) with a key.
- Turn ignition to the ON or ACC position.
- Pressing the remote entry PANIC button will disarm the anti-theft system only when the anti-theft alarm is triggered and sounding.

When unlocking the vehicle with a key, turn the key all the way to the end of its travel or the system may not disarm.

NOTE: the flashing lights and honking horn will shut off automatically within 2 minutes 45 seconds after the system is triggered. It will trigger again if another intrusion occurs.

Coded Key Anti-Theft System

If your vehicle is equipped with the coded key anti-theft system, you can only use an electronically coded key to start the vehicle. During each vehicle start sequence, the coded key is “read” by the anti-theft system. If the key’s ID code matches that in the anti-theft system, the vehicle is enabled to start. If the key’s ID code does not match the anti-theft system, or if no coded key is detected, then the vehicle is not able to start. Your vehicle was equipped with two electronically coded keys. The coded ignition key is larger than normal due to the electronics located in the head of the

key. Additional spare keys, maximum of 14, can be purchased either through your dealership or selected retailers. Be sure to purchase only coded keys with a Ford or Mercury logo on it to ensure proper functionality. If both supplied keys are lost or stolen or only one key has been lost and you want to ensure that key will not start the vehicle, the vehicle must be taken to the dealership for re-initialization. (All keys must be brought to the dealer, if any.)

THEFT indicator

The indicator provides system proveout and operating status. The system activates the indicator when the ignition switch is placed in the ON or START position. This indicator helps to determine possible fault conditions and/or normal operating proveout. The system will illuminate the indicator for two (2) seconds then go out to acknowledge normal operating conditions. If the indicator does not illuminate at key ON or flashes, have the system serviced.

Spare Key Programming Procedure

Two electronically coded keys were supplied with your vehicle, use one of these with the procedure below:

- Using a coded key that you can start your engine with, turn the ignition from the ON to the OFF position.
- Within 15 seconds, insert a new key into the ignition and turn it to ON or START. The vehicle does not have to be started.

If the key has been coded, the theft indicator will illuminate for two seconds. The key can then be used to start the vehicle.

Repeat until all chosen keys have been coded (max=16).

If the key coding failed, the theft indicator will flash and the vehicle cannot be started. One of 3 causes are possible:

- The new key was not inserted within 15 seconds or
- All 16 key codes have been stored or
- The key does not have an electronic code.

Windows

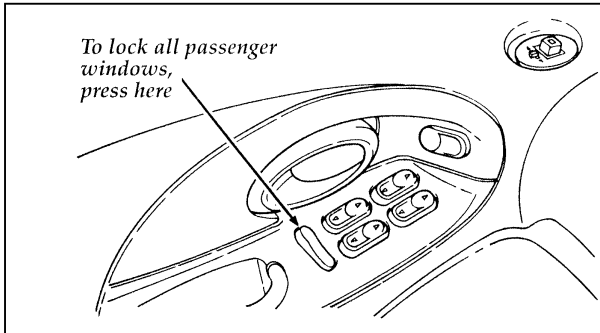
Using the Power Windows

Each door has a power control that opens and closes the window on that door. The driver's door has a master control panel that operates all four windows.

The power windows only operate when the ignition key is in the ON or ACC position or when the ignition has been turned from the ON to the OFF position and/or the key has been removed and no front doors on the vehicle have been opened.

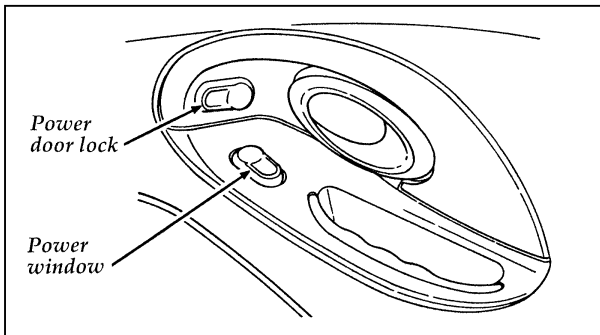
The power window controls are illuminated.

 WARNING
Do not let children play with the power windows. They may seriously hurt themselves. Make sure occupants are clear of the window(s) before closing.



The master controls on the driver's door

Your vehicle is equipped with a “one touch down” feature. This feature allows the driver to fully open the driver's window by firmly pressing the switch and then releasing. The “one touch down” feature can be stopped by pressing the up or down switch again.



The window controls on the passenger's door

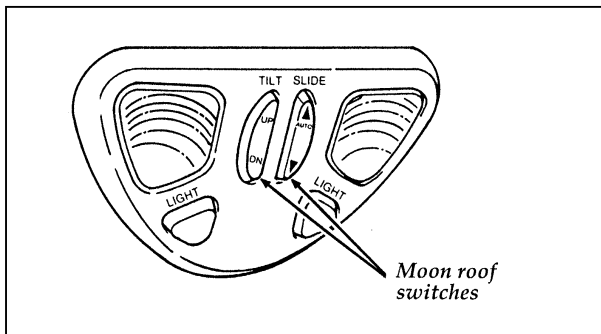
Accessory Delay

The power windows and moon roof (if equipped) can be operated for 45 seconds after the ignition has been turned to the OFF position if the front doors have not been opened.

Moon Roof (If equipped)

You can use the moon roof in your vehicle in two ways. Move it back to open the glass panel, or you can move it up to ventilate the vehicle.

The moon roof will only operate when the ignition is in the ON or ACC position or when the key has been removed from the ignition and no doors have been opened.



The map lamps and the switches for the moon roof

The roof console SLIDE switch is used to open and close the moon roof.

Press the AUTO portion of the switch and the roof will fully open automatically. Press the switch again during the opening cycle and the roof will stop at that location.

To close the moon roof, press and hold the front portion of the switch. At the fully closed position, the motor automatically turns off.

The roof console TILT switch is used to tilt the moon roof.

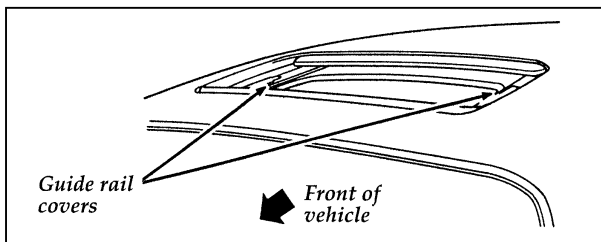
To tilt the moon roof into vent position from the closed position, press the UP portion of the switch.

To close from vent position, press and hold the rear portion of the switch.

⚠ WARNING

Do not let children play with the moon roof. They may seriously hurt themselves.

Occasionally wiping the outside guide rail covers of the moon roof with a clean cloth will help keep the moon roof working properly.



The moon roof

Sliding Shade

The moon roof has a sliding shade that you can manually open or close to block the sun when the glass panel is shut.

To close the sliding shade, pull the shade toward the front of the vehicle. The shade automatically opens and locks when the moon roof is opened.

Seats

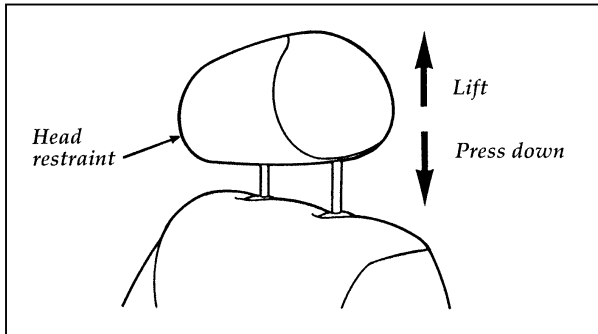
Head Restraints

If you use them properly, head restraints are intended to help protect your head and neck in a collision.

A head restraint helps protect you best if you position it behind your head and not behind your neck.

Standard head restraints

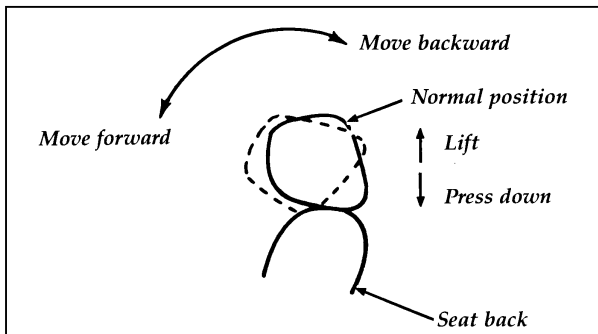
You can adjust the head restraints for your comfort and protection.



Adjusting the standard head restraint

Four-way head restraints

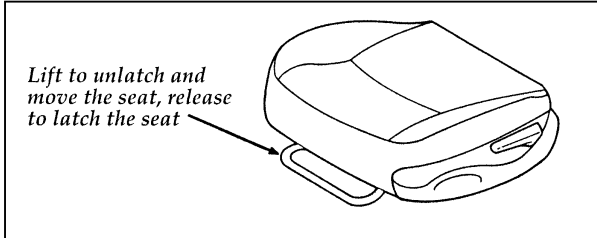
Your vehicle may have a four-way head restraint. It can be adjusted in four directions. You can raise it about two inches (five cm) from its normal position, and you can move it forward up to 60 degrees until you reach the desired position.



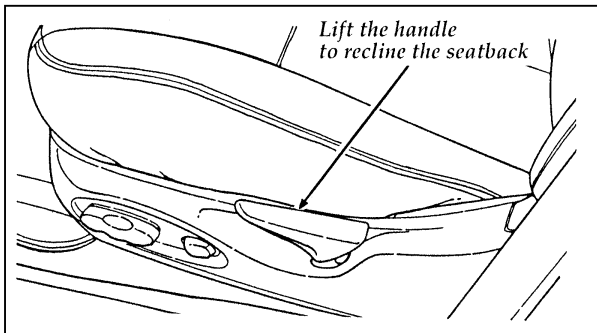
Adjusting the four-way head restraint

Manual Seats

You can move the front seats forward or backward and tilt the seatback forward or backward.



The front seat adjustment bar



The handle to recline the back of the driver's seat

⚠ WARNING

Never adjust the driver's seat or seatback when the vehicle is moving.

⚠ WARNING

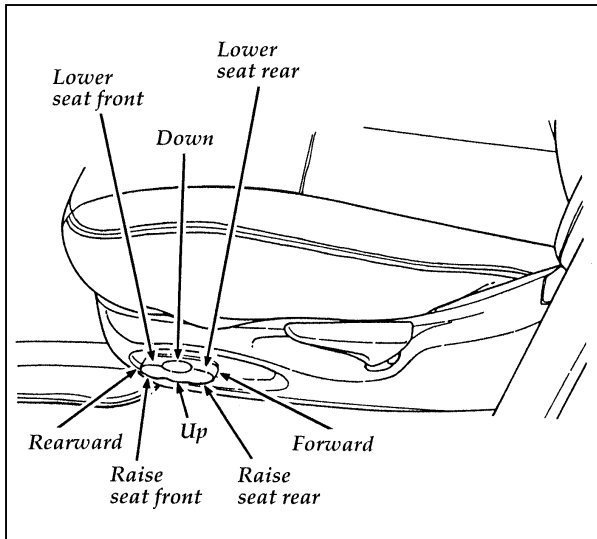
To reduce the risk of serious injury in a collision, always drive and ride with your seatback upright and the lap belt snug and low across the hips.

⚠ WARNING

Do not pile cargo higher than the seatbacks to avoid injuring people in a collision or sudden stop.

Power Seats (If equipped)

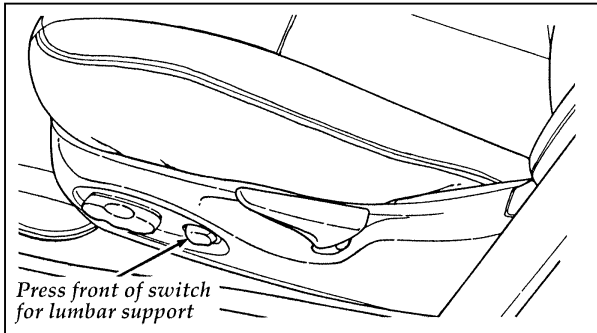
If your vehicle has power seats, you can adjust the driver's seat in several directions. You can raise or lower the whole front seat, move the seat forward or backward and tilt the front and back of the seat up or down. If your vehicle is equipped with power lumbar support, the lumbar switch also lets you inflate a pad on the seatback.



The seat controls on the driver's seat

Inflating the lumbar support (If equipped)

To inflate the pads, press and hold the front of the switch. To deflate the pads, press and hold the back of the switch.



The seat controls for the lumbar support on the driver's seat

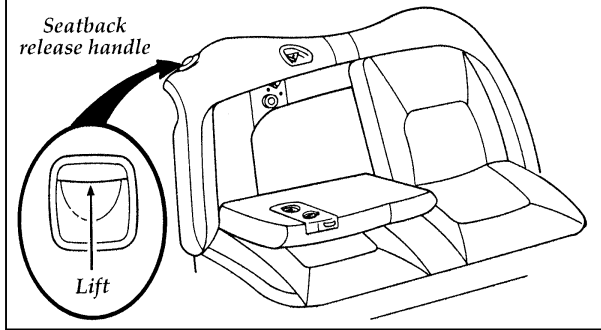
Using the Split-Folding Rear Seat

Your vehicle is equipped with split-folding rear seats. One or both rear seatbacks can be folded down to provide additional cargo space.

Detach the shoulder belt from the lap belt in the center rear seating position before folding down the passenger side of the rear seat.

To lower the rear seatback from inside the vehicle:

1. Lift the seatback release handle on the upper outboard corner of the seatback.
2. Grasp the pull tab and fold the seatback forward until it rests on the cushion.



Folding down the rear seatbacks

To raise the seatback:

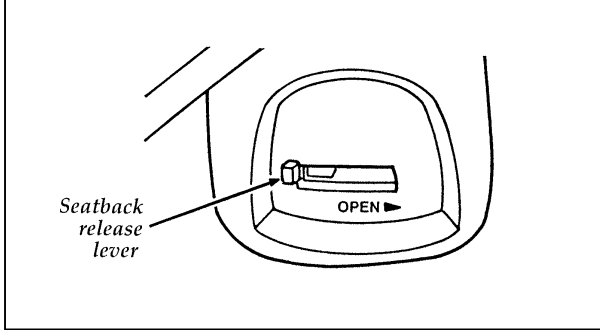
1. Lift the seatback rearward until it is in the upright position. Push the center of the seat until you hear it latch.
2. Make sure the seatback is locked in position by pushing forward and backward on it.

⚠ WARNING

Securely latch the seatback in the upright position to prevent the seatback or objects from being thrown forward during a sudden stop or collision.

To lower the rear seatback from the trunk:

1. Move the release lever on the back of the rear seatback to the OPEN position.
2. Fold the seatback forward.



The seatback release lever in the trunk

Cleaning the Seats

Leather

For routine cleaning, wipe the surface with a soft, damp cloth. For more thorough cleaning, wipe the surface with a leather and vinyl cleaner or a mild soap.

Fabric

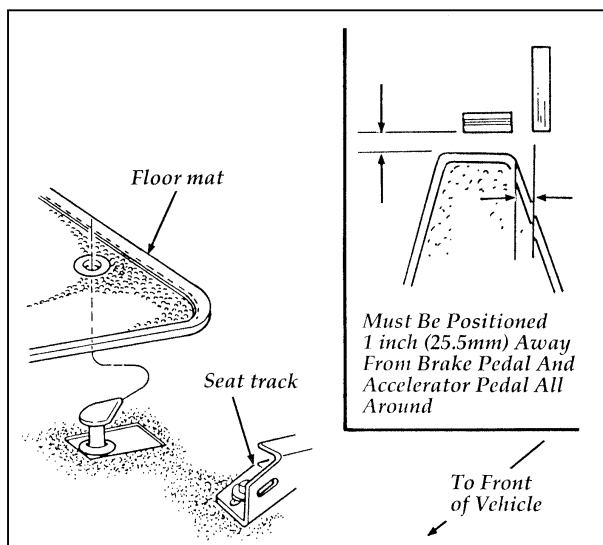
Remove dust and loose dirt with a whisk broom or a vacuum cleaner. Remove fresh spots immediately. Follow the directions that come with the cleaner.

NOTE: Before using any cleaner, test it on a small, hidden area of fabric. If the fabric's color or texture is adversely affected by a particular cleaner, do not use it.

Positive Retention Driver's Side Floor Mat (If equipped)

Installing the Floor Mat

Position the floor mat in the footwell. Place the mat eyelet over the pointed end of the retention post from the rear and rotate forward to install. Adjust the floor mat position to allow proper operation of accelerator pedal, brake pedal and clutch pedal.



The positive retention floor mat

Removing the Floor Mat

Lift floor mat just forward of retention post and rotate rearward to disengage from retention post.

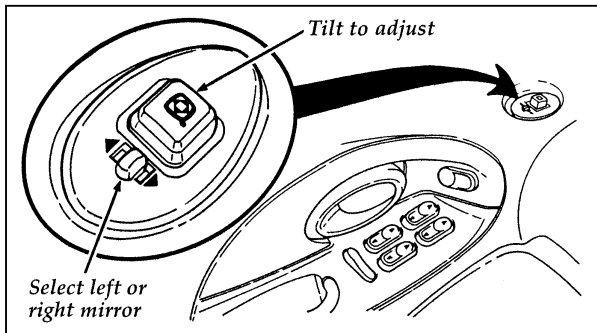
Mirrors

Side View Mirrors

Your vehicle comes with electric adjustable and heated side view mirrors. The outside rearview mirror on the right is a convex mirror. This mirror gives you a wider view of the lanes on your right and behind you.

⚠️ WARNING

Be careful. The convex outside rearview mirror on the right makes objects appear smaller and farther away than they actually are. Use the inside rearview mirror (or look behind you) to determine the actual size and distance of objects that appear in the convex mirror.



The mirror controls on the driver's door

To adjust the side view mirrors

1. Find the control switch in the driver's door panel.
2. Select the right or left mirror by moving the selector switch to the right or the left.
3. Move the control knob in the direction you want to move the mirror.

4. Return the selector switch to the middle position to keep the mirror in place.
5. To activate the heated feature of the outside rearview mirror, turn on the rear window defrost by pushing the R-DEF button on the instrument panel.

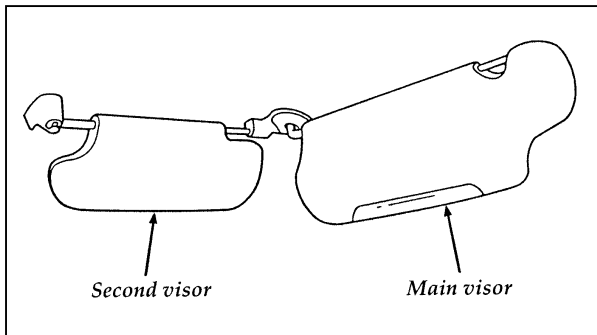
Do not clean the housing or glass of any mirror with harsh abrasives, fuel or other petroleum-based cleaning products.

Sun Visors

Using the Sun Visors

Your vehicle may have special sun visors. Besides the regular sun visor, you may have a second sun visor. By using both the regular sun visor and the second visor, you shield the sun from both the front and the side of the vehicle at the same time.

To block the sun, move the main visor sideways and flip the second visor down.

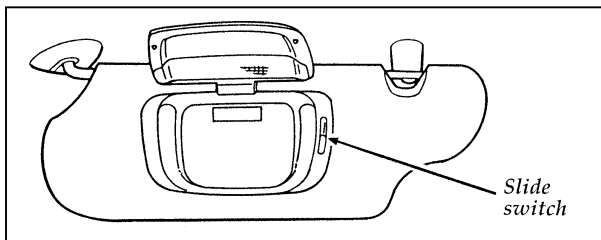


The sun visor

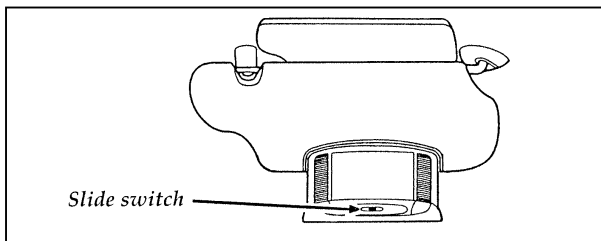
Turning on the Mirror Light on the Sun Visors (If equipped)

Your vehicle has two different kinds of lighted mirrors. Your vehicle may have one or both of these lighted mirrors.

To turn on the driver's mirror that is attached to the visor, lift the mirror cover. Adjust the amount of light by sliding the switch.



The mirror on the driver's sun visor

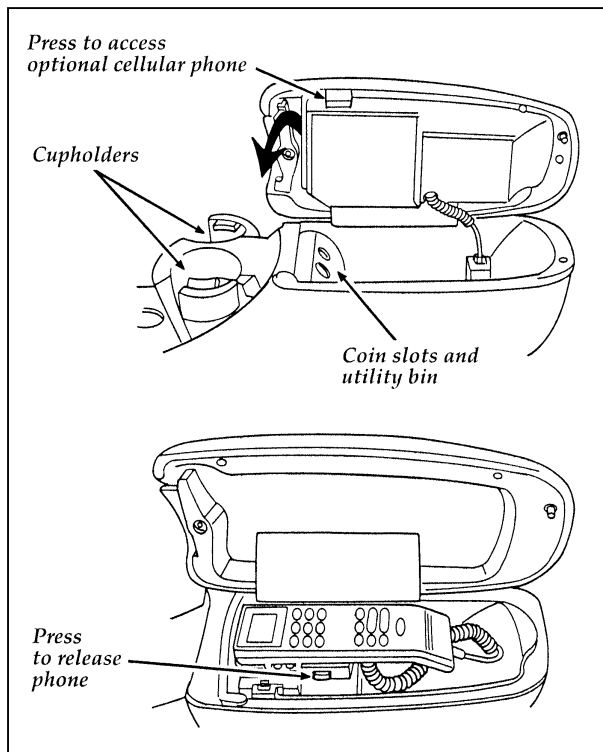


The mirror on the passenger's sun visor

To turn on the passenger's mirror that is in the main visor, grasp the lower center portion and pull the mirror down. Adjust the amount of light by sliding the switch.

Console

Your vehicle may have a full console. The full console has the following features:



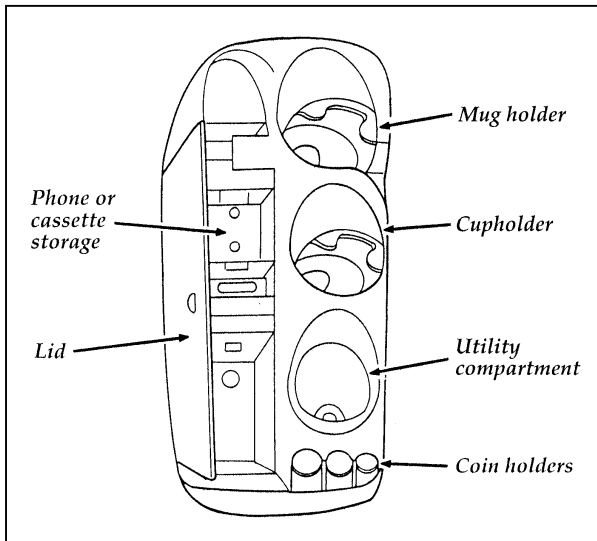
Features of the full console

The release for opening the utility compartment is on the front of the console, just below the armrest. Press and release at the ridges, near the driver's seat, to open. The lid is spring-loaded and will open automatically.

If your vehicle is equipped with a cellular phone, press the latch release located on the driver's-side edge of the lid to access the phone.

To open the cupholder on the full console, press and release the door on the front of the console. The door is spring-loaded and will open automatically.

If your vehicle is equipped with the column shift, it has a center seating/stowage console in the center front seating position. The center seating/stowage console has the following features:



Features of the center seating/stowage console

To open the storage compartment, raise the armrest and pull the strap on the seat up and toward the instrument panel.

The cupholders in the center seating/stowage console can be removed for cleaning.

 WARNING
--

Use only soft cups in the cupholder. Hard objects can injure you in a collision.

Cellular Phone (If equipped)

For information about the cellular phone in your vehicle, refer to the *Cellular Phone User's Manual* provided with your phone. For further questions about your cellular phone, contact the Ford Cellular System at 1-800-367-3013 (U.S.). In Canada, please contact your dealer.

NOTE: It is recommended that you fold your cellular phone antenna down onto the back glass before entering a car wash.

Ashtrays

The ashtray can be converted to a storage compartment for small objects by removing the plastic heatproof liner.

NOTE: The heatproof plastic liner must be in position for use as an ashtray.

Trunk

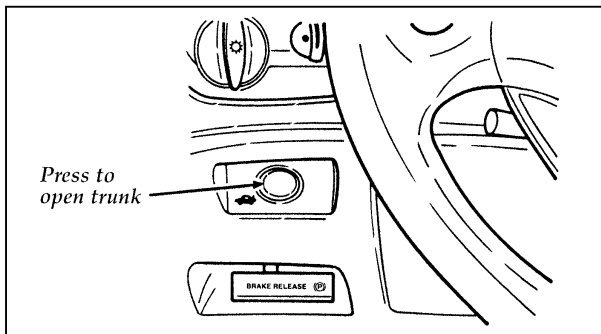
Opening the Trunk Manually

To open the trunk from the outside, turn the key to the right until the trunk opens.

Remove the key before you close and lock the lid. Shut the trunk lid completely.

Using the Remote Control for the Trunk

Press the remote release on the instrument panel to the left of the steering wheel to open the trunk.



The remote control for the trunk

Special Features of Your Wagon

Liftgate

Your wagon has a two-way liftgate that lets you either open the entire liftgate or just the window.

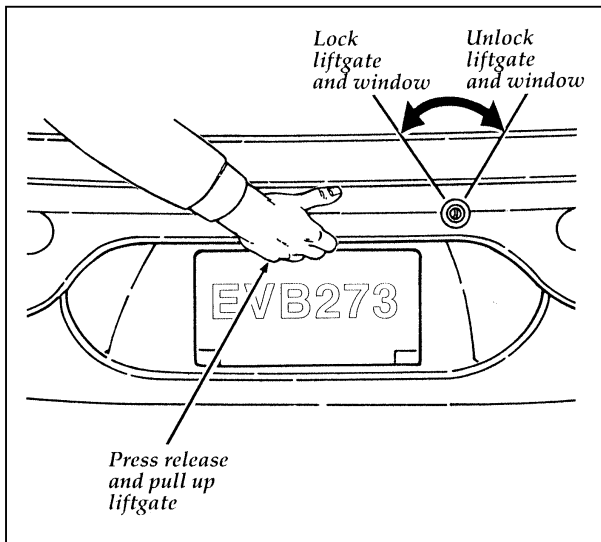
To open the liftgate, press the release that is hidden under the exterior trim panel just above the license plate. Pull up on the handle to raise the liftgate.

The liftgate will **not** lock automatically when you close it. To lock the liftgate with the key, turn left. You can also use the central power lock on the driver's door or the LOCK button on the remote entry keyfob, if your vehicle is so equipped.

When the liftgate is locked, the window will also lock.

To open the window, make sure the liftgate and window are unlocked, then press the outside lock cylinder. You can only open the window from outside.

To prevent any damage, close the liftgate and window before you drive.



The liftgate

⚠️ WARNING

If you drive with the liftgate window open, you will draw dangerous exhaust fumes into your vehicle. If you must drive like this, keep the vents open so outside air comes into the vehicle.

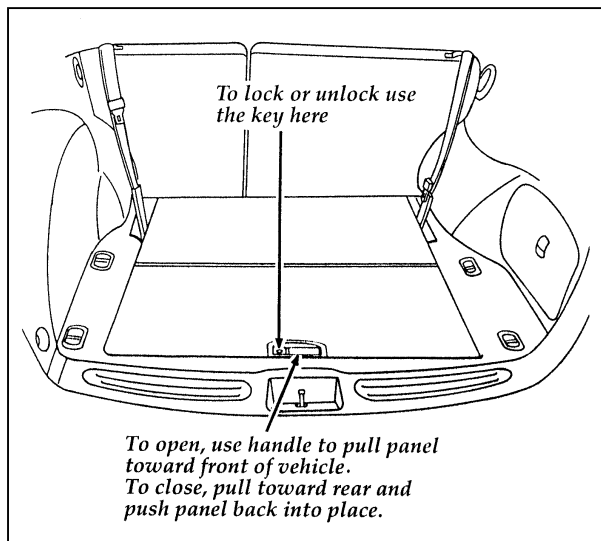
The Storage Area

Loading the vehicle

When you load the back of your vehicle, put the load as far forward in the compartment as possible. This will help distribute the weight more evenly between the front and rear axles.

Storage compartments

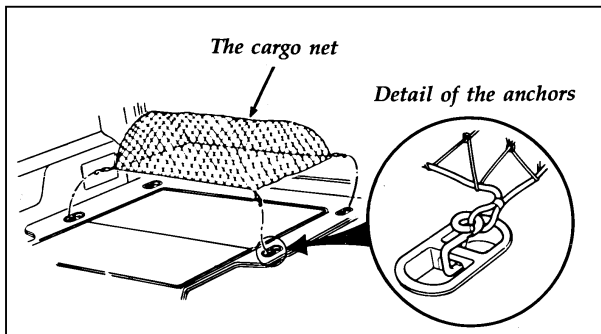
Your wagon comes with a storage compartment in the floor of the cargo area. An additional storage compartment is in the rear trim panel on the right.



The locking storage compartment in the rear of the wagon

Cargo Net (If equipped)

The cargo net secures lightweight objects in the cargo area of your vehicle. The net attaches to anchors that are already in your trunk. Use all available anchors to restrain the objects or they will not be secured.



The cargo net for the wagon

Do not put more than 50 pounds (22 kg) in the net. Any ropes or cords that you use must be as strong as the cargo net or strong enough to restrain a 50-pound (22 kg) object.

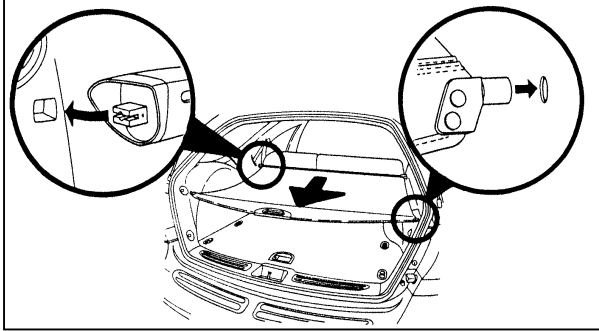
This net is not designed to retain objects during an accident.

Cargo Cover (If equipped)

You can conceal luggage or cargo in the back of your wagon with the cargo cover.

To cover the back compartment:

1. Fasten the cover into the molded pockets in the trim panel. Make sure the cover is right side up, so it unrolls from the top.
2. Pull the end of the cover toward you and hook it into the rear molded pockets in the side trim panels in the rear, inserting the right side first.



The cargo cover

Luggage Rack

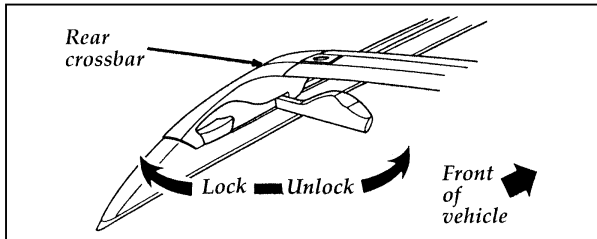
You can move the rear luggage crossbar on top of the vehicle to fit the item you need to carry. The front crossbar does not move.

To adjust the luggage rack:

1. Load your luggage close to the front crossbar. Do not carry more than 100 pounds (45 kg) or cause the vehicle to exceed the gross vehicle weight rating (GVWR), which is shown on the Safety Compliance Certification Label.
2. Loosen the adjusting levers on the rear crossbar by pushing them toward the center of the vehicle.
3. Slide the rear crossbar forward to hold your luggage securely in place.
4. Clamp the adjusting levers again by pulling them toward the outside of the vehicle.

Make sure that the rear crossbar pins are locked in slots by pulling forward and back on each of the outside supports. If the crossbar slides, push or pull until you hear it click and feel it lock into position.

5. Secure luggage or cargo with rope (up to 3/8"), NOT ELASTIC CORD, using the tie down loops provided. There are three loops on each outside rail and one at each end of the cross bars.



The adjusting levers for the luggage rack

Leave the rear crossbar in its original back position when you are not using it to hold luggage to reduce aerodynamic drag and improve fuel economy.

The Second Seats

Your vehicle is equipped with split-folding second seats. One or both second seatbacks can be folded down to provide additional cargo space.

To lower the seatback:

1. Lift the seatback release handle on the upper outboard corner of the seatback.
2. Fold the seatback forward until it rests on the cushion.

To raise the seatback:

1. Lift the seatback rearward until it is in the upright position. Push the center of the seat until you hear it latch.
2. Make sure the seatback is locked in position by pushing forward and backward on it.

⚠ WARNING

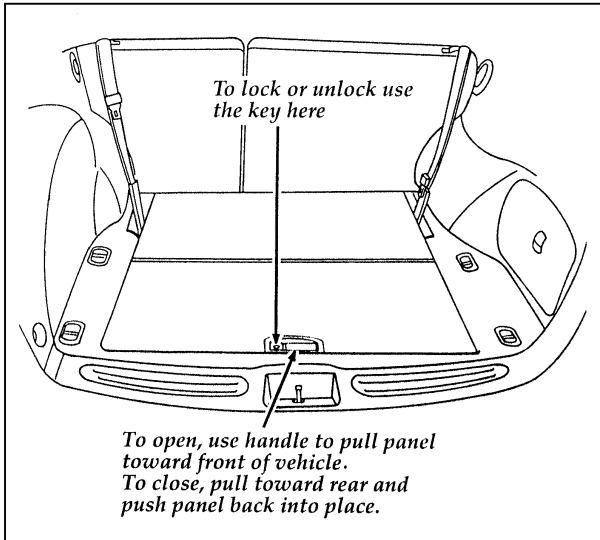
Securely latch the seatback in the upright position to prevent the seatback or objects from being thrown forward during a sudden stop or collision.

The Third Seat

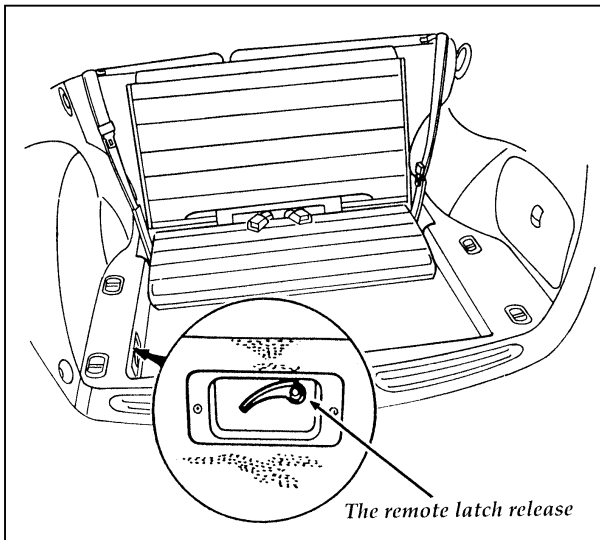
The third seat faces the back of the wagon. For height and weight limits, see the label on the seat cushion. When the seat is down, the back part of your wagon has a flat surface for carrying cargo.

To open up the seat:

1. Unlock the floor panel with the key.
2. Use the handle to fold the floor panel toward the front of the car.



Opening the third seat in the rear of the wagon



The third seat in a wagon

3. **Remove the cargo cover.** The cargo cover must be removed or the seatback cannot be locked in the upright position.
4. Lift the remote latch release on the left side of the well and fold the remaining floor panel toward the front of the car until it latches. Make sure the seatback is locked in the upright position by pushing forward and backward on it.

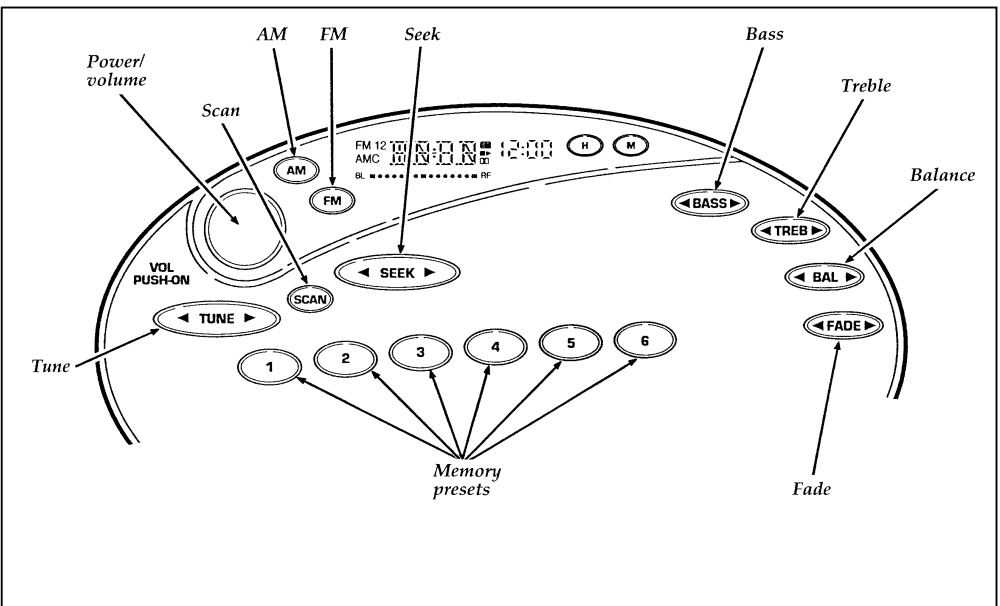
To close the seat:

1. Ensure that the third row safety belts are fully stowed, and belts located in notches.
2. Lift the remote latch release and push the seat down until it latches.
3. Pull up on the handle and push the floor panel into place.

 **WARNING**

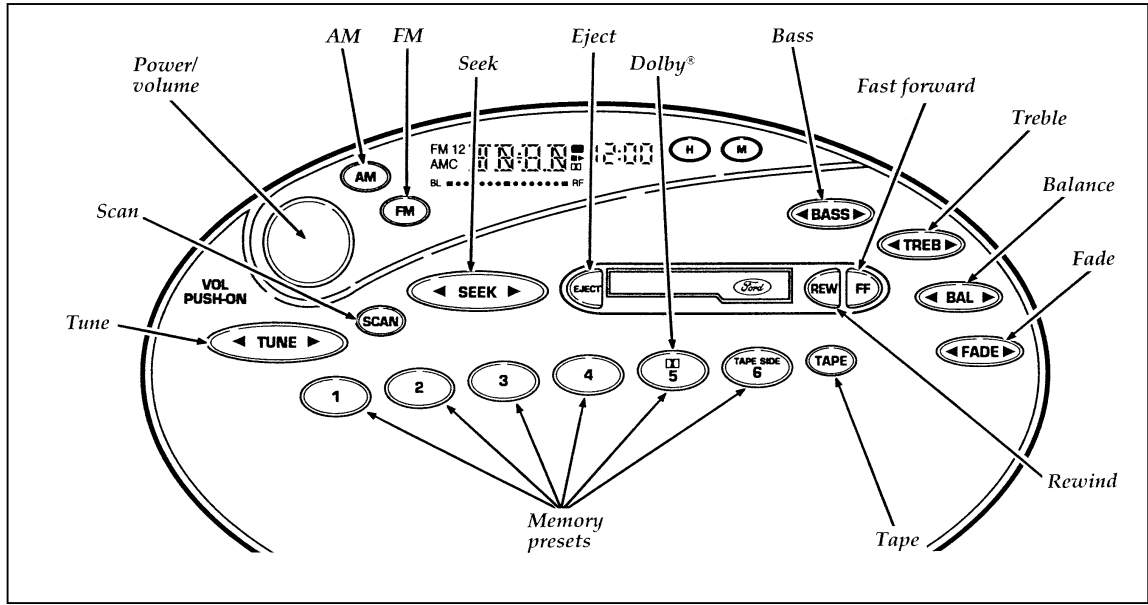
Be sure to keep the floor panel closed and locked at all times. Unattended children could possibly become trapped inside or loose items could be thrown around.

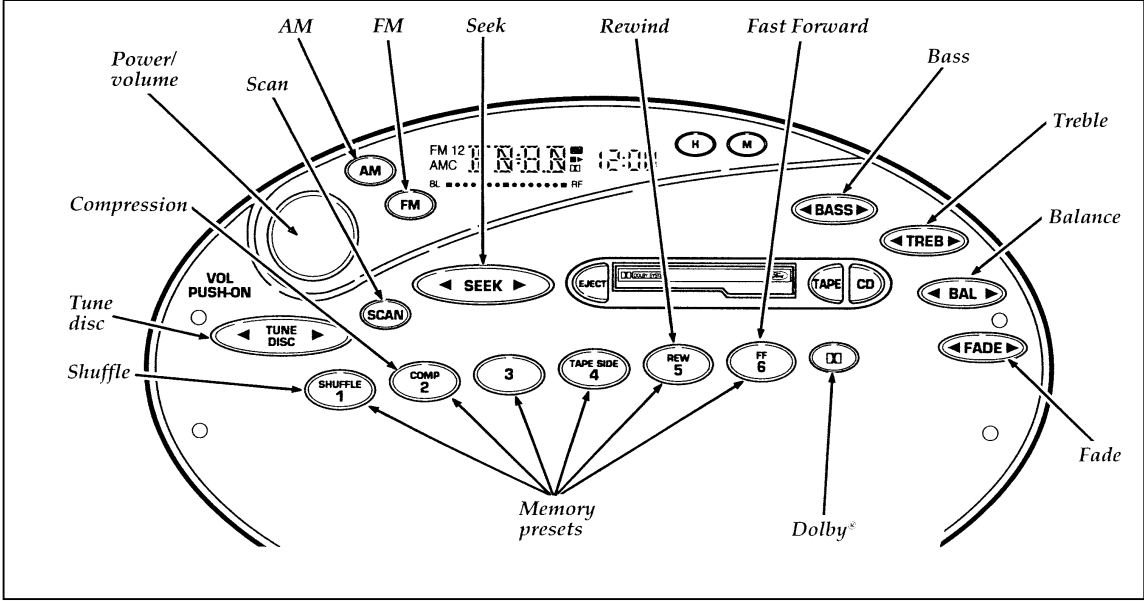
Electronic Sound Systems



Stereo Radio

Stereo Radio with Cassette





Stereo and Stereo Cassette Radios

Using the Controls on Your New Radio

How to turn the radio on and off

Press the “VOL PUSH ON” button to turn the radio on. Press again to turn off.

How to adjust the volume

Turn the “VOL PUSH ON” knob to the right to increase the volume and to the left to decrease the volume. Dots illuminate in the display to show relative volume level.

NOTE: If the volume is set above a certain level when the ignition is turned off, the volume will come back to a “nominal” listening level when the ignition is turned back on. However, if the radio power is turned off with the “VOL PUSH ON” button, the volume will not change and will remain at the level set when the radio is turned back on.

Selecting the AM or FM frequency band

Press the “AM” or “FM” button to select the desired frequency band or to stop/store cassette tape (when a cassette is playing). Pressing the “FM” button more than once will alternate between FM1 and FM2. These functions are used with the station memory buttons described under *How to tune radio stations*.

How to tune radio stations

There are four ways for you to tune in a particular station. You can manually locate the station using the “TUNE” button, “SEEK” to the station, “SCAN” to the station or select the station by using the memory buttons. These four methods are described below.

Using the “TUNE” function

You can change the frequency up or down one increment at a time by pressing and releasing either the right (▶) or left (◀) side of the “TUNE” or “TUNE/DISC” button. To change frequencies quickly, press and hold down either the right or left side of the button.

Using the “SEEK” function

Press the right (▶) side of the “SEEK” button to select the next listenable station up the frequency band. Press the left (◀) side of the button to select the next listenable station down the frequency band. By pressing and holding the button, listenable stations can be passed over to reach the desired station.

Using the “SCAN” function

Pressing the “SCAN” button will begin the scan mode up the frequency band, stopping on each listenable station for approximately five seconds. The band indicator (AM, FM1, FM2) flashes during scan operation.

To stop the scan mode on the presently sampled station, press the “SCAN” button again.

Setting the Station Memory Preset buttons

Your radio is equipped with 6 station memory buttons. These buttons can be used to select up to 6 preset AM stations and 12 FM stations (6 in FM1 and 6 in FM2).

Follow the steps below to set these buttons to the desired frequencies:

1. Select a band, then select a frequency.
2. Press one of the memory preset buttons and hold the button until the sound returns. That station is now held in memory on that button.
3. Follow the two steps above for each station memory preset button you want to set.

Using the Radio Set feature

With Radio set, you can automatically set strong stations into your memory buttons. AM, FM1 and FM2 will be set sequentially.

Turn the radio off with the “VOL PUSH ON” knob. Press and hold the “SCAN” button and turn the radio on by pressing the “VOL PUSH ON” knob. Continue holding the “SCAN” button until “RAD” is shown in the display.

NOTE: If there are less than six strong stations in the frequency band, the remaining unfilled buttons will store the last strong station detected on the band.

After all stations have been filled, the radio will begin playing the station stored on memory button 1.

Adjusting the tone balance and speaker output of your radio

Increasing or decreasing bass response

Press the right (▶) side of the “BASS” button to increase bass (more “lows”); press the left (◀) side of the “BASS” button to decrease bass (less “lows”).

Increasing or decreasing treble response

Press the right (▶) side of the “TREB” button to increase treble (more “highs”); press the left (◀) side of the “TREB” button to decrease treble (less “highs”).

Adjusting speaker balance

Balance control allows you to adjust the sound distribution between the right and left speakers. Press the right (▶) side of the “BAL” button to shift the sound to the right speakers, and press the left (◀) side to shift the sound to the left speakers. The display will show “BAL” and a dot indicating the balance position.

Adjusting speaker fader

Fade control allows you to adjust the sound distribution between the front and rear speakers. Press the right (▶) side of the “FADE” button to shift the sound to the front speakers, and press the left (◀) side to shift the sound to the rear speakers. The display will show “FADE” and a dot indicating the fade position.

Using the Power Antenna (If equipped)

The power antenna will automatically rise when your radio is turned on and the ignition is in the ON or ACC position. It will lower when either the radio or the ignition is turned off.

Power antenna maintenance and care

- Never drive your vehicle through a car wash with the power antenna mast extended. This can cause damage to the antenna mast, which is not covered under warranty. Turn off your radio and/or the vehicle. This will automatically retract the antenna.
- If your power antenna mast ever becomes damaged, the mast may not extend or retract properly which might limit reception performance. In this case, it is not necessary to replace the entire power antenna assembly. A replacement mast can be obtained from your dealership for a nominal fee.
- Occasionally, the power antenna mast should be wiped clean with mild soap and water or denatured alcohol. This prevents debris from accumulating on the mast which can cause excessive wear and decrease the power antenna life. Never use petroleum-based products to clean your antenna mast.

Common Radio Reception Conditions

Several conditions prevent FM reception from being completely clear and noise-free, such as the following:

1. Distance/Strength

The strength of the FM signal is directly related to the distance the signal must travel. The listenable range of an average FM signal is approximately 25 miles (40 kilometers). Beyond this distance, the radio is operating in a fringe area and the signal becomes weaker.

2. Terrain

The terrain (hilly, mountainous, tall buildings) of the area over which the signal travels may prevent the FM signal from being noise-free.

3. Rounded off frequencies

Some FM radio stations advertise a “rounded-off” frequency which is not the frequency they actually broadcast on. For example, a radio station that is assigned a frequency of 98.7 MHz may call itself “Radio 99” even though 99.0 MHz is not an allowable FM broadcast frequency.

Using the Controls of Your Cassette Tape Player

NOTE: Radio power must be on to use the cassette tape player.

NOTE: Adjust the volume, treble, bass, balance and fade controls in the same manner as for radio stations.

How to insert a tape

Your cassette player is equipped with power loading. Once you insert a tape and push slightly (**with the open edge to the right**), the loading mechanism draws the tape the rest of the way in and play will begin after a momentary tape tightening process. Display indicates "TAPE" while tape is playing. If the "TAPE" button is pressed when the cassette tape player is empty, "NO" and "TAPE" will flash in the display and radio play will continue.

NOTE: A cassette tape can be loaded with the ignition on whether the radio is on or off. However, if the radio is off, the cassette tape will be loaded and stored.

How to locate a desired selection on the tape

There are four ways to quickly locate a desired selection on the tape. You can use the fast forward, rewind, "SEEK" or "SCAN" function. Following are brief descriptions of each.

Fast forwarding the tape

To fast forward the tape, press the "FF" button. The radio will automatically begin playing until fast forward is manually stopped (by pressing the "TAPE", "EJ", "REW" or "FF" button) or the end of the tape is reached. The display will show a flashing ■ to indicate fast forward.

At the end of the tape, the direction automatically reverses and plays the other side of the tape.

Rewinding the tape

To rewind the tape, press the “REW” button. The radio will automatically begin playing until rewind is manually stopped (by pressing the “TAPE”, “EJ”, “REW” or “FF” button) or the beginning of the tape is reached. The display will show a flashing ■ to indicate rewind.

Using the “SEEK” function with your cassette tape player

While in the tape mode, press the right (▶) side of the “SEEK” button to seek forward to the next selection on the tape (display indicates “SEEK”). Press the left (◀) side to seek the previous tape selection.

NOTE: If you want to restart a currently playing tape selection, press the left (◀) side of the “SEEK” button after approximately three seconds into the current selection.

Using the “SCAN” function with your cassette tape player

Press the “SCAN” button to begin the forward scan mode on the tape currently playing, stopping on each tape selection for approximately an eight-second sampling (display flashes “SCAN”).

To stop the scan mode on the presently sampled tape selection press “SCAN” a second time.

How to change the side of the tape being played

The alternate side of the tape can be selected at any time by pressing the “SIDE 1-2” button.

How to eject the tape


To stop the tape and eject the cassette, press the “EJ” button. The radio will resume playing if the power is on. The tape cartridge can be ejected with radio power (and/or ignition) on or off.

How to store the tape

Press the “AM” or “FM” button (or “CD”, if equipped) to stop the tape player and resume radio play (or CD-DJ).

Using the Dolby® B noise reduction feature

NOTE: Noise reduction system manufactured under license from Dolby Labs Licensing Corporation. “Dolby” and double-D symbol are trademarks of Dolby Laboratories Licensing Corporation.

Push the  button to activate Dolby B Noise Reduction. Push again to deactivate.

Tape error messages

Your cassette tape player is equipped to diagnose certain problems you may experience. Error codes are as follows:

TD E1 — Possible problem tape cartridge. The cassette player will automatically eject the tape. Insert the tape again. If the same error code appears in the display, try a different tape. If the problem persists, refer the problem to qualified personnel for service.

TD E2 — Radio cannot eject tape. If tape is not ejected when the “EJ” button is pressed, refer the problem to qualified personnel for service.

TD E3 — Radio cannot insert tape properly. The cassette player will automatically eject the tape. Insert tape again. If the same error code appears in the display, try a different tape. If the problem persists, refer the problem to qualified personnel for service.

Tips on Caring for the Cassette Player and Tapes

In order to keep your cassette tape player performing the way it was meant to, read and follow these simple precautions:

- Using a Ford Cassette Cleaning Cartridge to clean the tape player head after 10-12 hours of play will help maintain the best playback sound and proper tape operation.
- Only cassettes that are 90 minutes long or less should be used. Tapes longer than 90 minutes are thinner and subject to breakage or may jam the tape player mechanism.
- Protect cassettes from exposure to direct sunlight, high humidity and extreme heat or cold. If they are exposed to extreme conditions, allow them to reach a moderate temperature before playing.
- If a tape is loose inside the cassette, tighten it before playing by putting your finger or a pencil into one of the holes and turning the hub until the tape is tight.
- Loose labels on cassette tapes can become lodged in the mechanism. Remove any loose label material before inserting cassette.
- Do not leave a tape in the cassette tape player. High heat in the vehicle can cause the cassette to warp.

Ford 6-CD Changer

The Ford 6-CD Changer is in the left of the trunk or the right of the cargo area. It is controlled by the audio system buttons.

Loading Instructions

1. Open the cover door. Open Compact Disc Changer trunk unit by sliding door to the front (sedan) or rear (wagon) (Figure 1).

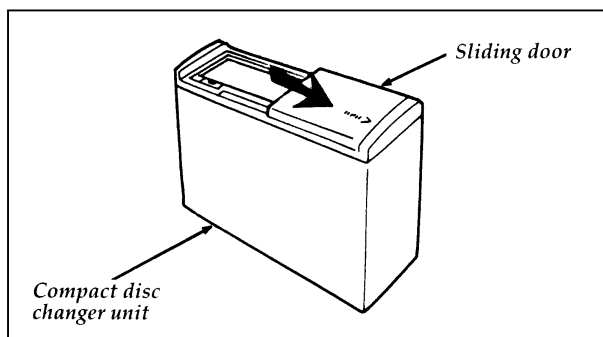


Figure 1

2. Press the orange Eject button to eject the disc "magazine" (holds 6 discs) (Figure 2).

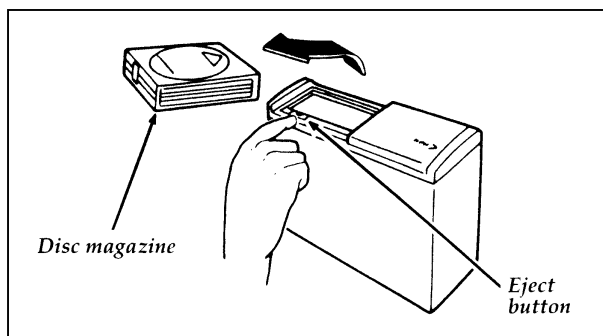


Figure 2

3. Load discs into the disc magazine slots (numbered 1 through 6 on the window) one at a time with labeled surfaces upward, starting with bottom slot number 1 (Figure 3).

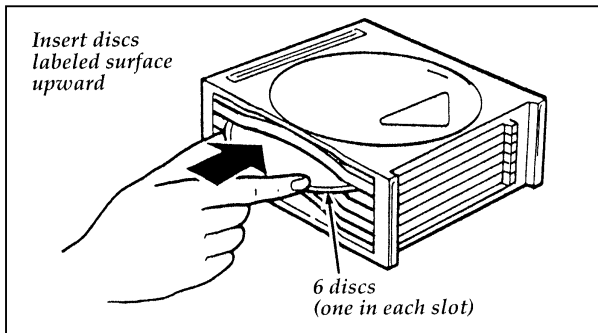


Figure 3

To remove a compact disc from the disc magazine, slide the corresponding lever on the opposite side of the magazine window. The disc will partially eject.

4. Insert loaded disc magazine into changer unit with the arrow on top of the disc magazine pointing toward the changer (Figure 4). Make sure magazine is fully inserted into changer.

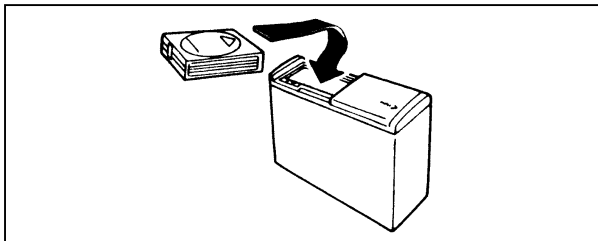


Figure 4

5. Close unit by sliding changer panel door to the rear (sedan) or front (wagon).

The Compact Disc Changer unit is now ready to play using the controls of your audio system.

How to Operate the Ford 6-CD Changer Using the Controls on the Radio

If your vehicle is equipped with the Ford 6-CD Changer System, you can operate it through the controls of your audio system.

Several of the controls on the radio operate in the same manner in CD mode as they do in radio or cassette mode: turning the power on, volume control and adjusting the bass, treble, speaker balance or fade.

How to begin CD Changer play

NOTE: Radio power must be on to operate the Compact Disc Changer.

Push the “CD” button to begin CD play. If the disc magazine has just been installed, the CD Changer will automatically begin playing the first track (selection) of the first disc loaded in the unit. After that, the CD Changer will start on the disc and track where it was stopped. The display will indicate “CD-##” for disc number, then display “TR-##” for track number, then “DD-TT” for disc number and track number.

If the CD Changer is empty, “NO” and “CD” will flash in the display and radio play will continue.

How to change the disc being played

When in the CD mode, you can change discs by pressing the right (▶) side of the “TUNE/DISC” button (to select the next disc) or the left (◀) side of the “TUNE/DISC” button (to select the previous disc). Play will begin on the first track of the selected disc.

When either side of the button is pressed and held, the CD changer will continue fast-forwarding or reversing through the discs in the disc magazine. During these functions, the display will indicate the disc number.

How to change the track being played

Press the right (▶) side of the “SEEK” button to seek forward to the next track of current disc. After the last track has been completed, the CD player automatically wraps back to the first track of the current disc.

Press the left (◀) side of the SEEK button to seek in reverse to the previous track on the current disc. If a selection has been playing for three seconds or more and you press the left (◀) side of the SEEK button, the CD Changer will replay that selection from the beginning.

Using fast forward or reverse

To quickly search for a particular point in a selection, press and hold the “FF” or “REW” button. Find the desired point by watching the elapsed playing time in the display or listening to the sound, then release the button.

Operating the Shuffle feature

The shuffle feature on your CD player allows you to listen to your disc selections in a different order. When this feature is activated, your CD player will randomly select and play tracks on the disc.

Press the “SHUFFLE” button to turn on, press it again to turn off. When on, the display will indicate “SHUF” then the disc and track number (dd-tt).

Operating the “SCAN” function

Press the “SCAN” button to enter the scan mode. The CD player will begin scanning the disc, stopping on each listenable track for approximately an eight second sampling. This continues until you press the “SCAN” button a second time.

Operating the Shuffle and Scan features simultaneously

Both the shuffle and scan features can be activated simultaneously. In this mode, the player will randomly pick a selection and play the first eight seconds. This process is continued until either the “SCAN” button or “SHUFFLE” button is pressed a second time.

Operating the CD Compression feature

The compression feature will bring soft and loud passages closer together for a more consistent listening level.

To turn the compression on, press the “COMP” button. When the compression feature is activated, the display will indicate “C”. Press again to deactivate.

How to stop CD play

While in CD Changer mode, press the “AM” or “FM” button to stop CD play and resume radio play. Loading a cassette into the cassette deck (or pressing “TAPE” if a cassette is already loaded) will stop CD play and begin cassette play.

How To Take Care of and Clean Your CD Player and Discs

To ensure the continued performance of your Ford Compact Disc Player, carefully read the following precautions:

- Always handle the disc by its edge. Never touch the playing surface.
- Before playing, inspect the disc for any contamination. If needed, clean the disc with an approved disc cleaner, such as the Discwasher® Compact Disc Cleaner or the Allsop 3® Compact Disc Cleaner, by wiping from the center out to the edges. **Do not use a circular motion to clean.**
- Do not clean discs with solvents such as benzine, thinner, commercially available cleaners or antistatic spray intended for analog records.
- Do not expose the disc to direct sunlight or heat sources such as defroster and floor heating ducts. Do not leave any discs in a parked car in direct sunlight where there may be a considerable rise in temperature or damage may result.
- After playing, store the disc in its case.
- If a disc has already been inserted, do not try to insert another disc. Doing so may damage the disc player.
- Do not insert anything other than a disc into the disc player.

CAUTION: The use of optical instruments with this product will increase eye hazard as the laser beam used in this compact disc player is harmful to the eyes. Do not attempt to disassemble the case. Refer servicing to qualified personnel only.

Common Operating Conditions of Your CD Player

The following information is designed to help you recognize typical situations that could be mistakenly interpreted as mechanical malfunctions of the disc player.

- The disc is inserted with the label surface downward.
- The disc is dusty or defective.
- The player's internal temperature is above 140°F (60°C). Allow the player to cool off before operating.
- Different manufacturers of compact discs may produce discs with different dimensions or tolerances, some of which may not be within industry standards or in accordance with the CD format. Because of this, a new disc that is free of dust and scratches could be defective and may not play on your Ford Compact Disc Player.

If play does not begin after the CD button is pushed:

- The radio is not on.
- The disc magazine is not fully seated in changer.
- Moisture may have condensed on the lenses within the unit. If this occurs, remove the disc and wait approximately an hour until the moisture evaporates.

If the sound skips:

- Badly scratched discs or extremely rough roads will cause the sound to skip. Skipping will not damage the disc player or scratch the discs.

CD Error Messages

Your system is equipped to diagnose certain problems you may experience. The displayed error codes are:

NO then CD — Empty slot or magazine, mechanical error, disc(s) unreadable, or mechanism focus error. Check all discs in the magazine for scratches and proper insertion. If problem persists, refer problem to qualified personnel for service.

NO then DJ — CD Changer not connected or not communicating to audio system. Refer problem to qualified personnel for service.

TOO then HOT — The changer's internal temperature is above 140°F (60°C). Allow the player to cool before operating.

Important Warranty and Service Information

Warranty

Your sound system is warranted for three years or 36,000 miles (60,000 kilometers), whichever comes first. Consult your vehicle warranty booklet for further information. Ask your dealer for a copy of this limited warranty.

Service

At Ford Electronics, we stand behind our audio systems with a comprehensive service and repair program. If anything should go wrong with your Ford audio system, return to your dealer for service. There is a nationwide network of qualified Ford authorized repair centers to assist you.

Driving Your Taurus

Your vehicle will have one of the following types of transaxles:

- an automatic overdrive transaxle, or
- an automatic overdrive transaxle with Overdrive Off (O/D OFF) switch

If you are not sure which transaxle your vehicle has, talk to your dealer.

Your vehicle is equipped with an Electronic Powertrain Control Module that limits engine and/or vehicle speeds with a cut-out mode to promote durability.

Driving with an Automatic Overdrive Transaxle (Column Gearshift without O/D OFF Switch)

Your automatic overdrive transaxle provides fully automatic operation in either **D** (Overdrive) or **D** (Drive). Driving with the shift selector in **D** (Overdrive) gives the best fuel economy for normal driving conditions. For manual control, start in 1 (First) and then shift manually.

Putting Your Vehicle in Gear

⚠ WARNING

Hold the brake pedal down while you move the gearshift lever from position to position. If you do not hold the brake pedal down, your vehicle may move unexpectedly and injure someone.

To operate:

1. Start the engine.
2. Depress and hold the brake pedal.
3. Move the gearshift lever out of P (Park).

Your vehicle is equipped with a Brake Shift Interlock safety feature. This feature prevents the gearshift from being moved from the P (Park) position until the brake pedal is depressed. This feature is active when the ignition is in the ON position. If the gearshift lever CANNOT be moved from P (Park) with the brake pedal depressed:

1. Turn the engine off and remove the ignition key.
2. Reinsert the ignition key and turn clockwise to the first position (OFF).
3. Depress the brake pedal, move the gearshift lever to N (Neutral) and start the engine.

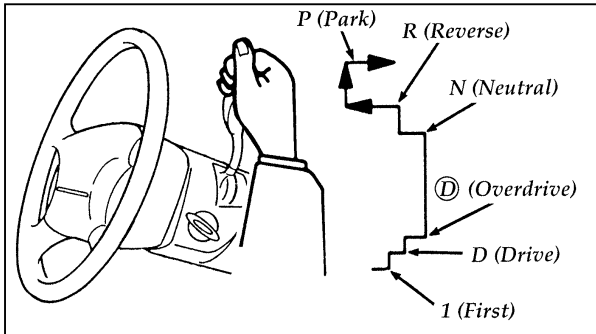
If you need to shift out of P (Park) by using the alternate procedure described above, it is possible that a fuse has blown and that your brakelamps may also not be functional. Please refer to the chapter titled *Servicing Your Taurus* in this Owner Guide for instructions on checking and replacing fuses.

⚠ WARNING

DO NOT DRIVE YOUR VEHICLE UNTIL YOU VERIFY THAT THE BRAKELAMPS ARE WORKING.

Using a column-mounted gearshift

If your gearshift is on the column, you can use any of the following positions:



The column-mounted gearshift

Once you place the gearshift securely into position, gradually release the brake pedal and use the accelerator as necessary.

R (Reverse)

With the gearshift in the R (Reverse) position, the vehicle will move backward. You should always come to a complete stop before shifting into or out of R (Reverse).

N (Neutral)

With the gearshift in the N (Neutral) position, the vehicle can be started and is free to roll. Hold the brake pedal down while in this position.

Driving

When to use **D** (Overdrive)

D (Overdrive) is the usual driving position for an automatic overdrive transaxle. It works the same way **D** (Drive) works, automatically upshifting or downshifting as the vehicle speeds or slows.

However, **D** (Overdrive) also shifts into a fourth gear — an overdrive gear — when your vehicle cruises at a consistent speed for any length of time. This fourth gear will increase your fuel economy when you travel at cruising speeds.

When to use **D** (Drive)

D (Drive) eliminates the excessive shifting between third and fourth gears that your vehicle sometimes does when you are traveling through hilly terrain in **D** (Overdrive). It also provides more engine braking than **D** (Overdrive) for descending hills or city driving.

When to use **1** (First)

Use **1** (First) when added engine braking is desired when descending steep hills.

The automatic transaxle will shift to the proper gear to ascend any grade without any need to shift to **1** (First).

Do not go faster than 38 mph (61 km/h) in this gear. You can upshift from **1** (First) to **D** (Drive) or from **1** (First) to **D** (Overdrive) at any speed.

P (Park)

Always come to a complete stop before you shift into **P** (Park). Make sure that the gearshift is securely latched in **P** (Park). This locks the transaxle and prevents the front wheels from rotating.

⚠ WARNING

Always set the parking brake fully and make sure the gearshift is securely latched in P (Park).

⚠ WARNING

Never leave your vehicle unattended while it is running.

You can tell a column-mounted gearshift is securely latched in P (Park) if you cannot move it without pulling it toward you and rotating it downward.

Driving with an Automatic Overdrive Transaxle (Column or Console Gearshift with O/D OFF Switch)

Your automatic overdrive transaxle provides fully automatic operation in either D (Overdrive) or with the O/D OFF Switch depressed. Driving with the shift selector in D (Overdrive) gives the best fuel economy for normal driving conditions. For manual control, start in 1 (First) and then shift manually.

Putting Your Vehicle in Gear

You must push in the thumb button to move the console-mounted gearshift to the position you choose.

To move the gearshift out of P (Park), the ignition must be turned from the locked position to either the OFF or the ON position.

To operate:

1. Start the engine.
2. Depress and hold the brake pedal.
3. Move the gearshift lever out of P (Park).

Your vehicle is equipped with a Brake Shift Interlock safety feature. This feature prevents the gearshift from being moved from the P (Park) position until the brake pedal is depressed. This feature is active when the ignition is in the ON position. If the gearshift lever CANNOT be moved from P (Park) with the brake pedal depressed:

1. Turn the engine off and remove the ignition key.
2. Reinsert the ignition key and turn clockwise to the first position (OFF).
3. Depress the brake pedal, move the gearshift lever to N (Neutral) and start the engine.

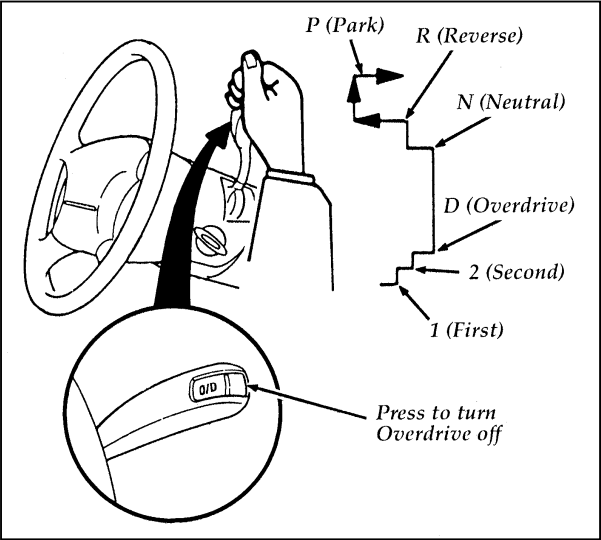
If you need to shift out of P (Park) by using the alternate procedure described above, it is possible that a fuse has blown and that your brakelamps may also not be functional. Please refer to the chapter titled *Servicing Your Taurus* in this Owner Guide for instructions on checking and replacing fuses.

 **WARNING**

DO NOT DRIVE YOUR VEHICLE UNTIL YOU VERIFY THAT THE BRAKELAMPS ARE WORKING.

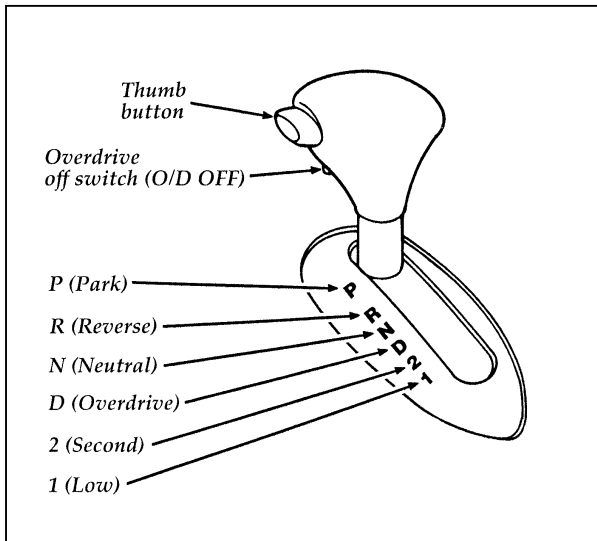
Using the gearshift

If your gearshift is on the column, you can use any of the following positions:



The column-mounted gearshift

If your gearshift is on the console, you can use any of the following positions:



The console-mounted gearshift

The console-mounted gearshift will lock when you turn the key to the LOCK position. When the gearshift is in any position except P (Park), the ignition key cannot be turned to LOCK or removed from the steering column. TO REMOVE THE KEY, the gearshift lever **must** be in P (Park).

Once the gearshift is secure in the desired position, release the brake pedal and use the accelerator as necessary.

R (Reverse)

With the gearshift in the R (Reverse) position, the vehicle will move backward. You should always come to a complete stop before shifting into or out of R (Reverse).

N (Neutral)

With the gearshift in the N (Neutral) position, the vehicle can be started and is free to roll. Hold the brake pedal down while in this position.

Driving

When to use D (Overdrive)

D (Overdrive) is the usual driving position for an automatic overdrive transaxle. It automatically upshifts or downshifts as the vehicle speeds or slows.

However, D (Overdrive) also shifts into a fourth gear — an overdrive gear — when your vehicle cruises at a consistent speed for any length of time. This fourth gear will increase your fuel economy when you travel at cruising speeds.

When to use D (O/D OFF)

You will notice that there is only one drive position on your gearshift indicator (instead of Drive and Overdrive). However, you will find a switch labeled O/D located on the gearshift lever. Push in the switch and the O/D OFF light in the instrument cluster will illuminate. With the O/D OFF light illuminated, the transaxle will operate in first, second and third gears and will not shift into fourth gear. Operating in D (O/D OFF) eliminates the excessive shifting between third and fourth gears that your vehicle sometimes does when you are traveling through hilly terrain in D (Overdrive). It also provides more engine braking than D (Overdrive) for descending hills or city driving.

To return the transaxle to the normal Overdrive operation, press the O/D OFF switch again. Use this switch to select Overdrive or D (O/D OFF) whenever you drive your vehicle.

NOTE: If the O/D OFF indicator light is flashing on and off repeatedly when the vehicle is started or does not come on when the O/D OFF switch is pushed, it means that there is a transaxle electronic system malfunction. You should contact your dealer as soon as possible or damage to the transaxle could occur.

The transaxle will be in the “overdrive on” mode when the vehicle is started even if the O/D OFF mode was selected when the vehicle was last shut off.

When to use 2 (Second)

Use Second for start-up on slippery roads or to give you more engine braking to slow your vehicle on downgrades.

When to use 1 (First)

Use 1 (First) when added engine braking is desired when descending steep hills.

The automatic transaxle will shift to the proper gear to ascend any grade without any need to shift to 1 (First).

Do not go faster than 38 mph (61 km/h) in this gear. You can upshift from 1 (First) to D (Overdrive) at any speed.

P (Park)

Always come to a complete stop before you shift into P (Park). Make sure that the gearshift is securely latched in P (Park). This locks the transaxle and prevents the front wheels from rotating.

If your vehicle has a console mounted gearshift, the gearshift indicator in the cluster is illuminated in P (Park) only when the gearshift button is released.

⚠ WARNING

Always set the parking brake fully and make sure the gearshift is securely latched in P (Park).

⚠ WARNING

Never leave your vehicle unattended while it is running.

You can tell a console-mounted gearshift is securely latched in P (Park) if you cannot move it without pushing in the thumb button.

Steering Your Vehicle

Your vehicle comes with power steering. Power steering uses energy from the engine to help steer your vehicle.

Your vehicle has variable-assist steering. This system provides light power steering efforts for parking and heavier power steering efforts for highway driving. If you notice that the power steering effort does not change according to the speed you are traveling, or if the power steering system is not working, have the system checked.

If the amount of effort needed to steer your vehicle changes at a constant vehicle speed, have the power steering system checked. If the power steering system breaks down (or if the engine is turned off), you can steer the vehicle manually but it takes more effort.

Never hold the steering wheel to the extreme right or left for more than five seconds if the engine is running. This can damage the power steering pump.

Semi-Active Ride Control (SHO only)

Your vehicle is equipped with a semi-active ride control suspension system. Ride and handling is enhanced by firm shock absorber performance during certain road conditions and handling maneuvers. The shock absorber is returned to a softer performance when driver or road surface induced motion ceases. This system is automatic with no direct driver input required.

Brakes

Applying the Brakes

Your vehicle may have four-wheel power anti-lock disc brakes which adjust automatically through everyday use.

Some models have power front disc brakes and rear drum brakes which automatically adjust as the brake pads and linings wear down.

If your vehicle does not have anti-lock brakes, apply the brake pedal gradually. Use the “squeeze” technique — push on the brake pedal with a steadily increasing force. This allows the wheels to continue to roll while you are slowing down, which lets you steer properly.

If your vehicle does not have anti-lock brakes, extreme braking can make the wheels lock and slide, causing you to lose control of the steering. If the wheels lock, release the brake pedal and repeat the “squeeze” technique.

Do not drive with your foot resting on the brake pedal; you will wear out the linings and increase your vehicle's stopping distance. Brake rotor damage may also eventually occur.

NOTE: If you are driving down a long or steep hill, shift to a lower gear and do not apply your brakes continuously. If you apply your brakes continuously, they may overheat and become less effective.

Occasional brake squeal during light to moderate stops does not affect the function of the brake system and is normal. However, if the squeal becomes louder or more frequent, have your brakes inspected by your dealer or a qualified service technician.

Anti-lock Brake System (ABS) (If equipped)

If your vehicle is equipped with the anti-lock brake system (ABS), the wheels will not lock and slide when you press down hard on the brake pedal. The ABS automatically starts releasing and reapplying the front brakes independently and the rear brakes together whenever your vehicle's wheels start to lock. When this happens, you will feel the brake pedal pulsate. This is an indication that the ABS is working correctly and is normal.

If the brake pedal is applied while the vehicle is driven over uneven road surfaces, the ABS may cycle and the driver may sense a pulsation in the brake pedal, accompanied by a slight up and down movement of the pedal height and a clicking sound. This may also happen when driving on an inclined surface such as a driveway while making a sharp turn. This is a normal condition.

Each time you turn the ignition key to the ON position, the ABS will function through one test cycle. When this happens, the ABS light will come on for up to five seconds. If the light stays on longer than five seconds, shut off the engine and restart. If it remains on, it means the ABS is disabled and should be serviced immediately to restore the benefits of the anti-lock feature. Normal braking is not affected unless the red BRAKE system warning light is also lit.

ABS has self-check capabilities. As described above, the system turns on the ABS light each time you start your engine. After the engine is started and the ABS light turns off, the system performs another test the first time the vehicle reaches 4-9 mph (6-15 km/h). The system turns on the ABS pump motor for approximately 1/2 second. At this time, a mechanical noise may be heard. This is a normal part of the self-check feature. If a malfunction is found during this check the ABS light will come on.

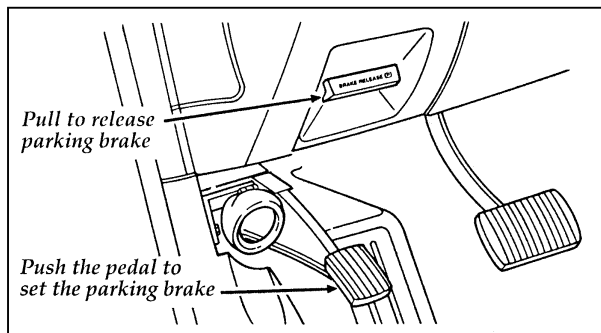
Vehicles with ABS are identified with a label on the front door pillar.

Ford Motor Company has not found any negative effects of mobile radio transmitting equipment installed on vehicles with the ABS system providing that the radio is installed according to the radio manufacturer's instructions. However, if you have had a mobile radio transmitter installed and the ABS light comes on (at any time other than immediately after turning the key to the ON position) have your mobile radio dealer inspect the radio installation. Also, if the ABS system is activated other than during maximum braking, have your mobile radio installation checked.

Parking Brake

The parking brake should be used whenever you park your vehicle.

This brake is suspended just below the bottom of the instrument panel to the left of the brake pedal.



The parking brake and parking brake release

⚠ WARNING

Always set the parking brake fully and make sure the gearshift is securely latched in P (Park).

⚠ WARNING

If the parking brake is fully released, but the Brake System light remains on, have the brakes checked immediately. They may not be working properly.

⚠ WARNING

To prevent personal injury, do not release the parking brake while outside the vehicle.

The parking brake is not designed to stop a moving vehicle, but you can use the parking brake to stop your vehicle in an emergency if the normal brakes fail. However, since the parking brake applies only the rear brakes, the stopping distance will increase greatly and the handling of your vehicle will be adversely affected.

Always check the Brake Warning Light each time you start your engine. Driving with the parking brake on will cause the brakes to wear out quickly and will reduce the fuel economy.

Driving Under Special Conditions

Tips for Safe Driving

As with any new vehicle, yours may drive and handle differently from your previous vehicle. Use care until you become accustomed to its various features and driving characteristics.

Operate your vehicle within reasonable limits. Sudden acceleration, deceleration, turning, or combinations of these maneuvers can cause a vehicle to behave differently than anticipated.

Driving in Bad Weather

Slippery roads

On some slippery road surfaces, front-wheel drive may provide better acceleration than rear-wheel drive. However, this does not mean that your vehicle can stop any faster or any better than a vehicle with rear-wheel drive. Exercise the same caution while driving on slippery roads with your front-wheel drive vehicle as you would with a rear-wheel drive vehicle.

- Do not quickly move the steering wheel unless necessary.
- Drive slower than you normally would.
- Give your vehicle more distance to stop.
- Pump the brake pedal steadily and evenly to avoid locking your wheels. (Does not apply to vehicles with anti-lock brakes.)
- Consider using one of the lower gears.

⚠ WARNING

To avoid skidding and losing control on slippery roads, do not downshift into 1 (First) when you are moving faster than 20 mph (30 km/h).

⚠ WARNING

If your vehicle has speed control, do not use it on slippery roads. You could lose control of your vehicle and could injure someone.

If your vehicle gets stuck (for example, in mud or snow), you may try to “rock” it out of the spot. Shift, in a steady rhythm, between forward and reverse gears. While in each gear, press lightly on the accelerator and release.

⚠ WARNING

Do not spin the wheels at over 35 mph (55 km/h). The tires may fail and injure a passenger or bystander.

By moving the vehicle backward and forward, you may gain enough momentum to move out of the spot. Do not rock the vehicle for more than a few minutes. This may overheat the engine, damage the transaxle, or damage the tires. If you are still stuck after a minute or two of rocking, call for a tow truck.

High water

Do not drive through flooded areas unless you are sure that the water is below the bottom of the wheel rims.

If you must drive through high water, drive slowly. You may have limited traction or wet brakes, so allow extra stopping distance because your vehicle will not stop as quickly as usual.

After you drive through the standing water, apply your brakes gently several times as your vehicle moves slowly. This helps to dry the brakes.

Driving With a Heavy Load

There are limits to the amount of weight your vehicle can carry or tow. The total weight of your vehicle, plus the weight of the passengers and cargo, should never be more than the Gross Vehicle Weight Rating (GVWR). Also, the weight that your vehicle carries over the front axle and rear axle should never be more than the Gross Axle Weight Rating (GAWR) for the respective axle.

You can find your vehicle's GVWR and GAWR on the Safety Compliance Certification Label on the left front door lock facing or on the door latch post pillar.

The weight limits of your vehicle's tires affect the GVWR or GAWR limitations. Usage of replacement tires with higher weight limits than originals does not increase GVWR or GAWR. Usage of lower capacity replacement tires may lower GVWR and GAWR limitations.

⚠ WARNING

If the GVWR or the GAWR specified on the Safety Compliance Certification Label is exceeded, your vehicle may be damaged or you may lose control and injure someone.

Limiting Your Vehicle's Load

The load that you add to your vehicle must not exceed the maximum load stated on the Safety Compliance Certification Decal attached to the left front door pillar.

To figure the weight of your vehicle's load, add the weights of:

- the driver and passengers
- luggage and any other items that you put in your vehicle
- the tongue load of the loaded trailer
- the weight of any equipment that has been added to your vehicle since it was delivered to your dealer

If you do not know the actual weights of these items, use the following procedure to figure the weight of a load:

1. Weigh your vehicle without the driver, passengers and luggage. You might take your vehicle to a shipping company or an inspection station for trucks.
2. Then weigh your vehicle with the driver, passengers and luggage.
3. Subtract the first reading from the second to figure the total weight of the load.

After determining this load, you must also make sure that the total weight of your vehicle, plus the load it carries, is less than its GVWR. Also, make sure that the weight your vehicle carries over each axle is less than the GAWR for the respective axle.

You can find the GVWR and GAWR on the Safety Compliance Certification Label on the left front door lock facing or the door latch post pillar.

If your vehicle exceeds the GVWR, remove cargo from your vehicle accordingly. If your vehicle exceeds the GAWR for either axle, shift the load or remove cargo accordingly.

Trailer Towing

Your vehicle is classified as a light duty towing vehicle. The amount of weight that you can safely tow depends on the type of engine in your vehicle. See the following charts:

3.0L 2-Valve Vulcan Engine			
Model	Passenger Load #/lbs. (kg)	Luggage Load lbs. (kg)	Max Trailer Wt. lbs. (kg)
Sedan	5/750 (340)	0	800 (365)
	4/600 (270)	150 (70)	800 (365)
	2/300 (135)	150 (70)	1100 (500)
	2/300 (135)	0	1250 (565)
Station Wagon	4/600 (270)	0	800 (365)
	2/300 (135)	150 (70)	950 (430)
	2/300 (135)	0	1100 (500)

The above chart is based on the specified vehicle at a maximum GCW (Vehicle wt + Trailer wt) equal to 4950 lbs. (2245 kg).

3.0L 4-Valve Duratec Engine and SHO Sedan			
Model	Passenger Load #/lbs. (kg)	Luggage Load lbs. (kg)	Max Trailer Wt. lbs. (kg)
Sedan	5/750 (340)	0	1300 (590)
	2/300 (135)	150 (70)	1600 (725)
	2/300 (135)	0	1750 (795)
Station Wagon	5/750 (340)	150 (70)	1000 (455)
	2/300 (135)	150 (70)	1450 (660)
	2/300 (135)	0	1600 (725)

The above chart is based on the specified vehicle at a maximum GCW (Vehicle wt + Trailer wt) equal to 5450 lbs. (2470 kg).

Your vehicle does not come from the factory fully equipped to tow. No towing packages are available through Ford or Lincoln/Mercury dealers.

Because towing a trailer puts extra strain on your vehicle, you must follow certain precautions for your safety and the good of your vehicle:

- Stay within the load limits when you tow. (See *Knowing Your Vehicle's Load Limits*.)
- Carefully and thoroughly prepare your vehicle for towing, making sure to use the right equipment and to attach it properly. (See *Preparing to Tow* in this chapter.)
- Use extra caution when driving your vehicle while you tow. (See *Driving while you tow* in this chapter.)
- Service your vehicle more frequently if you tow a trailer. (See *Servicing your vehicle if you tow* in this chapter.)

Do not tow a trailer until your vehicle has been driven at least 500 miles (800 km).

⚠️ WARNING

Towing trailers beyond the maximum recommended gross trailer weight exceeds the limits of the vehicle and could result in engine damage, transaxle/axle damage, structural damage, loss of control, and personal injury.

⚠️ WARNING

Do not tow a trailer when the temporary spare tire is being used.

Ten to 15% of the loaded trailer's weight should be on the tongue. However, the tongue load should never exceed 10% of the maximum weight that your vehicle can safely tow.

Preparing to Tow

For your safety and for the good of your vehicle, use the right equipment for the type of trailer you tow. Also, make sure that all towing equipment is properly attached to your vehicle. If you are not certain that you are using the right equipment in the proper manner, see your Ford or Lincoln-Mercury dealer.

Do not use hitches that clamp onto your vehicle's bumper. The bumper is not designed to bear the load.

Using the hitch

Your vehicle uses a load carrying hitch. Because this type of hitch places the tongue load of a trailer on the rear wheels of your vehicle, you must distribute the load in your trailer so that 10 to 15% of the total weight of the trailer is on the tongue.

Tie down the load so that it does not shift and change the weight on the hitch. This will prevent damage to your vehicle and make your vehicle easier to handle.

Connecting the safety chains

Always attach the trailer's safety chains to your vehicle. They help protect your trailer if the hitch breaks.

To connect the trailer's safety chains:

1. Cross the chains under the trailer tongue and attach them to your vehicle's frame or hook retainers. Never attach the safety chains to your vehicle's bumper. The bumper is not designed to bear the weight of a trailer.
2. Make sure that you leave enough slack in the chains to allow you to turn corners.

If you use a rental trailer, follow the instructions that the rental agency gives you.

Connecting the trailer's brakes

Electric brakes and manual, automatic, or surge-type hydraulic brakes are safe if you install them properly and adjust them according to the manufacturer's instructions. Be sure that your trailer's brakes meet local and federal regulations.

 WARNING
--

<p>Do not connect a trailer's hydraulic brake system directly to your vehicle's brake system. Your vehicle may not have enough braking power and your chances of having a collision greatly increase.</p>
--

Connecting the trailer's lights

Do not connect a trailer's lighting system wiring directly to your vehicle's lighting system wiring. To get the proper equipment for hooking up your trailer's lights, see your local trailer dealer and your Ford dealer. Be sure to follow their instructions carefully.

If you do not install trailer lights correctly, you may cause damage to the vehicle's lighting system.

Driving While You Tow

Be especially careful when driving while you tow a trailer. Never drive faster than 45 mph (70 km/h) when you tow in hilly country on hot days. Also, anticipate stops so that you can brake gradually.

When you tow in steep hills, move the automatic transaxle to 1 (First) (vehicles without O/D OFF switch) or 2 (Second) (vehicles with O/D OFF switch) when descending. This will give more engine braking on downgrades. The automatic transaxle will automatically downshift to the proper gear on upgrades.

If you tow in Overdrive while riding through hilly country, your vehicle may frequently shift between Overdrive and Third gears. To prevent your vehicle from shifting too much, move the gearshift to D (Drive) (column shift without O/D OFF switch) or push the O/D OFF switch (column or console shift). This will also give better braking going down hills.

If you use the speed control while you are towing on very long, steep grades, the speed control may shut off.

Servicing Your Vehicle When You Tow

If you tow a trailer for a long distance, your vehicle will need to be serviced more frequently than usual. Refer to the *Maintenance Schedule and Record* booklet for additional information.

Roadside Emergencies

If Your Vehicle Needs a Jump-Start

Your vehicle's battery may die if you leave the lights on or any electrical equipment on after you turn the engine off. If this happens, you may be able to jump-start your vehicle with a booster battery.

⚠️ WARNING

The gases around the battery can explode if exposed to flames, sparks, or lit cigarettes. An explosion could result in injury or vehicle damage.

⚠️ WARNING

To protect yourself when charging a battery, always shield your face and eyes. Make sure that you can breathe fresh air.

⚠️ WARNING

Applying too much pressure on the ends when lifting a battery could cause acid to spill. Lift the battery with a carrier or with your hands on the opposite corners.


⚠️ WARNING

Batteries contain sulfuric acid which burns skin, eyes, and clothing.

If the acid touches someone's skin, eyes, or clothing, immediately flush the area with water for at least 15 minutes. If someone swallows the acid, have him or her drink lots of milk or water first, then Milk of Magnesia, a beaten egg, or vegetable oil. Call a doctor immediately.

To avoid damaging your vehicle or your battery, and to avoid injury to yourself, follow these directions for preparing your vehicle to jump-start and connecting the jumper cables in the order they are given. If in doubt, call for road service.

Preparing Your Vehicle

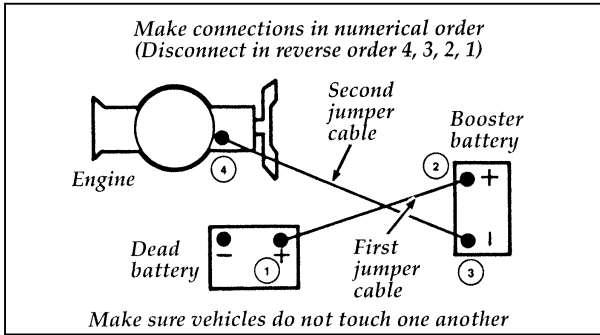
1. Your vehicle has a 12-volt starting system, so you need to use a 12-volt jumper system. You will damage your starting motor, ignition system, and other electrical parts if you connect them to a 24-volt power supply (either two 12-volt batteries in series or a 24-volt generator set).
2. Do not disconnect the battery of the disabled vehicle. You could damage the vehicle's electrical system.
3. Park the booster vehicle close to the hood of the disabled vehicle. **Make sure the vehicles do not touch each other.** Set the parking brake on both vehicles and stay clear of the engine cooling fan and other moving parts.
4. Check all battery terminals and remove any excessive corrosion before you attach the jumper cables.
5. Turn on the heater fan in both vehicles. If you have electronic climate control, press the  F-DEF button. Turn off all other switches and lights.

Connecting the jumper cables

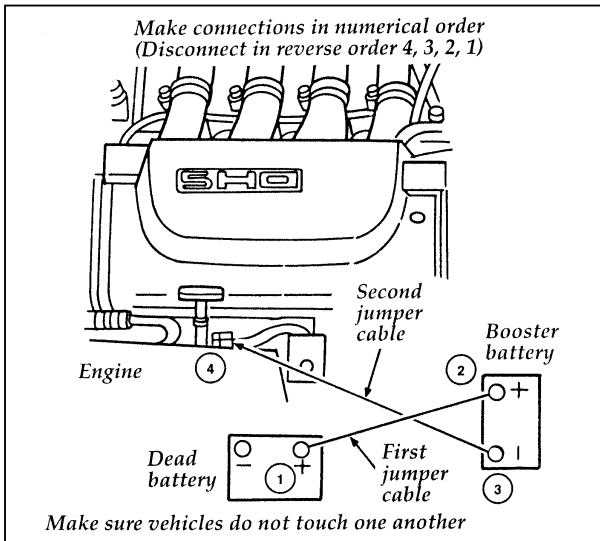
1. Connect one end of the first jumper cable to the positive (+) terminal of the discharged battery. (You can connect either jumper cable to the positive (+) terminal, as long as you use the same cable for both positive terminals.) Most jumper cables have a red cable and a black cable. The red cable is generally used for the positive terminals and the black for the negative ones.
2. Connect the other end of the first cable to the positive (+) terminal of the booster battery.
3. Connect one end of the second cable to the negative (–) terminal of the booster battery — NOT to the discharged battery.
4. Connect the other end of the second cable to a good metallic surface on the engine or frame of the disabled vehicle.

 WARNING
--

<p>Do not connect the end of the second cable to the negative (–) terminal of the battery to be jumped. A spark may cause an explosion of the gases that surround the battery.</p>



Jumper cable connections



The 3.4L SHO engine

Jump-Starting

1. Make sure that the jumper cables are not in the way of moving engine parts, then start the booster vehicle. Run the engine at a moderate speed.
2. Let the discharged battery charge for a few minutes and then start the disabled vehicle. It may take a couple of tries before the vehicle starts. If the vehicle does not start after several attempts, there may be a different problem.
3. When both vehicles are running, let them idle for a few minutes to charge the discharged battery.

Removing jumper cables

1. **Always remove the jumper cables in the reverse order.** Remove the negative (–) end of the jumper cable from the metallic surface on the engine or frame of the disabled vehicle.
2. Remove the negative (–) cable from the booster battery.
3. Remove the positive (+) cable from the booster battery.
4. Remove the other end of the positive (+) cable from the discharged battery.

After the vehicle is started, let it idle for a while to let the engine “relearn” its idle conditions. Drive it around for a while with all electrical accessories turned off to let the battery recharge. Driveability may be deteriorated slightly until all drive modes are “relearned.” **You may need to use a battery charger to fully recharge the battery.**

If you need to replace your battery, see *Battery* in the *Servicing Your Vehicle* chapter.

Changing a Tire

If you get a flat tire while you are driving, do not apply the brake heavily. Instead, gradually decrease the speed. Hold the steering wheel firmly and slowly move to a safe place on the side of the road. Park on a level spot, turn off the ignition, set the parking brake, and turn on the hazard flashers.

NOTE: Tire sealants that are injected through the valve stem are not to be used to service punctured tires because they can produce wheel rust and tire imbalance.

The Temporary Spare Tire

You may have a high pressure temporary spare tire. This spare tire is smaller than a regular tire and is designed for emergency use only. Use it only when you get a flat tire and replace it as soon as you can. This spare tire is marked with the words “TEMPORARY USE ONLY” so that you can easily identify it.

 WARNING
If you use the temporary spare tire continuously or do not follow these precautions, the tire could fail, causing you to lose control of the vehicle, possibly injuring yourself or others.

**When you drive with the temporary spare tire,
DO NOT:**

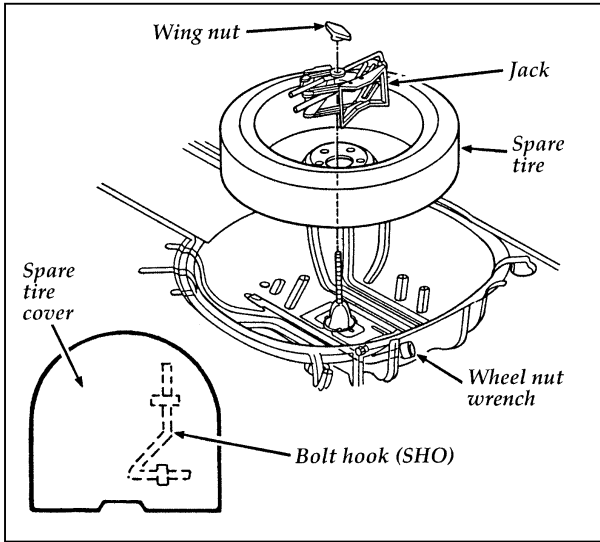
- exceed 50 mph (80 km/h) under any circumstances.
- load your vehicle so that it is heavier than the maximum vehicle load rating listed on the tire decal.
- tow a trailer.
- use tire chains on this tire.
- try to repair the temporary spare tire or remove it from its wheel.
- use the wheel for any other type of vehicle.
- drive through an automatic car wash with this tire. Because the temporary spare tire is smaller than a conventional tire, it reduces the ground clearance. Your vehicle may get caught in the rails and it could be damaged.

The Conventional Spare Tire (If equipped)

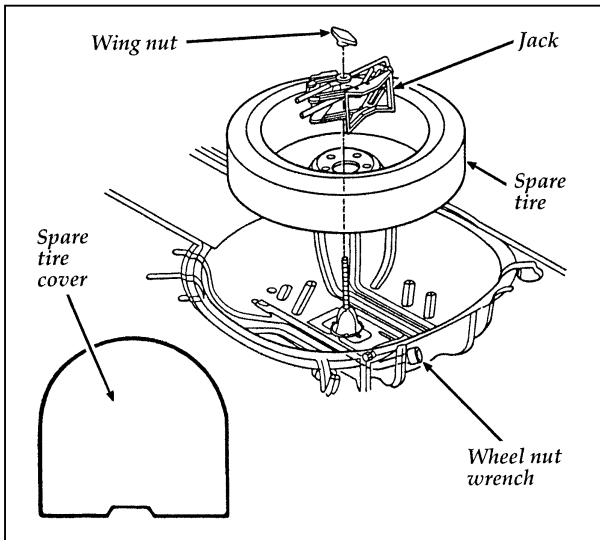
If you have the conventional spare tire, you can use it as a spare or as a regular tire. This spare tire is identical to the other tires that come with your vehicle, although the wheel may not match.

Spare Tire Location

In a sedan, the spare tire is stored in the trunk under the floor carpet.

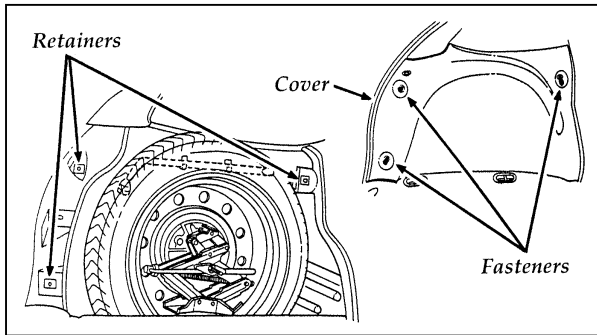


The spare tire in the SHO



The spare tire in the sedan

In the wagon, the temporary spare tire is stored in the left side rear trim panel.



The temporary spare tire in the wagon

To remove the cover for the temporary spare tire in the wagon:

1. Twist the three fasteners 90 degrees into a vertical position.
2. Lift the the cover to disengage the three retainers.
3. Pull the front of the cover out slightly and remove the cover by sliding it toward the front of the vehicle.
4. Lift out the spare tire, jack, and lug wrench.

Preparing to Change the Tire

You should only raise your vehicle with a jack properly placed at the front or rear jacking points.

1. Make sure that your vehicle will not move or roll. Put the gearshift in P (Park). Set the parking brake and block the wheel that is diagonally opposite the tire that you are changing.

When one of the front wheels is off the ground, the transaxle alone will not prevent the vehicle from moving or slipping off the jack, even if the vehicle is in P (Park). To prevent the vehicle from moving when you change a tire, block (in both directions) the wheel that is diagonally opposite to the tire being changed.

⚠ WARNING

If the vehicle slips off the jack, you or someone else could be seriously injured.

2. Get out the spare tire and jack.

⚠ WARNING

To avoid injury, never run the engine with one wheel off the ground, such as when changing a tire.

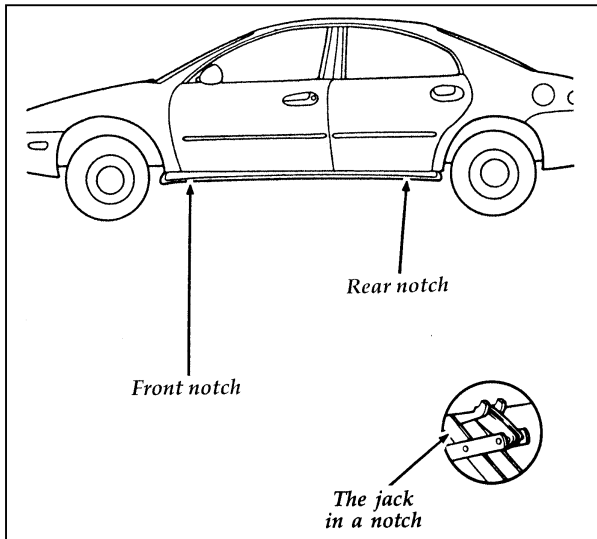
3. Remove wheel covers or aluminum wheel ornaments with the tapered end of a wheel nut wrench. Insert the handle of the wrench between the wheel and ornament and twist it against the inner wheel cover flange.
4. Loosen each wheel lug nut one-half turn counterclockwise, but do not remove them until the tire is raised off the ground. You should pull up on the handle rather than push to develop maximum force to loosen wheel lug nuts. See *Anti-Theft Wheel Lug Nuts* later in this chapter for information on removing anti-theft lug nuts.

Removing and Replacing the Tire

1. Find the jack notch next to the door of the tire that you are changing. Put the jack in the jack notch and turn the handle of the jack clockwise until the wheel is completely off the ground.

WARNING

To lessen the risk of personal injury, do not put any part of your body under the vehicle while changing a tire. Do not start the engine when your vehicle is on the jack. The jack is only meant for changing the tire.



The notches for the jack

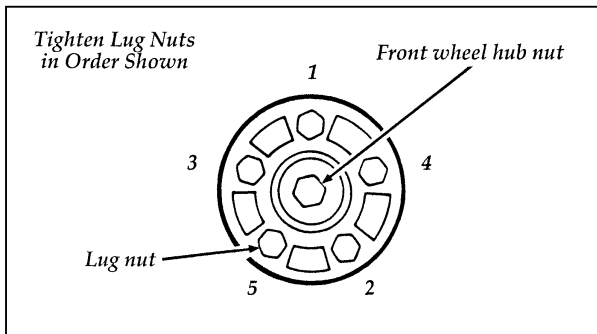
2. Remove the lug nuts by using a lug wrench. Never loosen the hub nuts. See the picture later in this section if you are not sure where to find the lug nuts.

Your vehicle has metric (12 mm) wheel studs and lug nuts. During wheel removal and replacement, make certain that you use the same lug nuts to reinstall the wheel or replace them with nuts of the same metric size and threading.

 **WARNING**

Installation of an English thread nut on a metric stud (or vice-versa) will not properly secure the wheel to the hub. Damaged studs may result in wheel separation and possible injury.

3. Replace the flat tire with the spare tire, making sure that the air valve stem is facing outward.
4. Reinstall the lug nuts, tightening until the wheel is snug against the hub. The beveled edges on the lug nuts face inward. Do not fully tighten the lug nuts until you lower the vehicle. If you do, you could force the vehicle off the jack.
5. Lower the vehicle by turning the jack handle counterclockwise.
6. Remove the jack and fully tighten the lug nuts in the order shown in the following illustration. As soon as possible, have your dealer or a qualified service technician check the lug nuts for proper torque specifications.



The lug nuts on the wheel

7. Place any wheel covers and ornaments in the trunk.
8. Put the tire, jack, and wrench away. Make sure the jack is securely fastened so it does not rattle when you drive.
9. Unblock the wheels.

Removing and Replacing Wheel Covers

Your vehicle may have wheel covers with a wire retention system.

To remove the wheel cover:

Pry it loose by carefully inserting the tapered end of the jack handle between the wheel cover and the wheel.

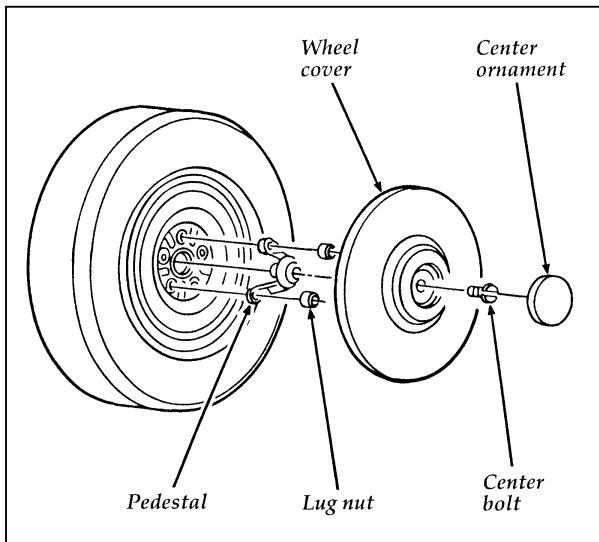
To replace the wheel cover:

1. One of the windows on the wheel cover is identified with a valve stem logo on the back side of the cover. Install the wheel cover to the wheel with the window at the valve stem.
2. Hold the wheel cover in this position and press the cover onto the wheel with the palm of your hand. Do not force or hammer the cover.

Center Wheel Cover

To remove the wheel cover:

1. Pry the center ornament off the wheelcover with the lug wrench. Pry only at the notch. Do not use a screwdriver or any other tool, as this may damage the wheelcover or the surface finish.
2. Remove the center bolt on the wheelcover with the lug wrench tip.
3. To remove the wheelcover, pry it loose by carefully inserting the tapered end of the lug wrench between the wheelcover and wheel at the outer edge.
4. To service the wheel or tire, remove the pedestal by removing the lug nuts. Put the pedestal in a safe place for reinstallation of the wheelcover.



The center attachment wheel cover

To replace the wheel cover:

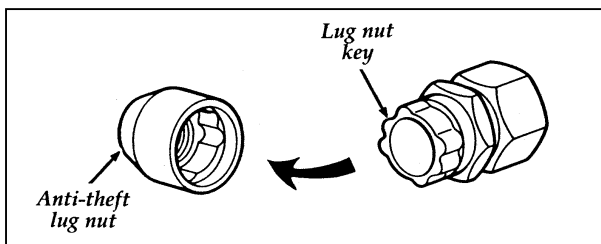
1. Reinstall the pedestal on the wheel before reinstalling the wheelcover.
2. One of the windows on the wheelcover is identified with a valve stem logo on the inside of the cover. Align this valve hole on the wheelcover with the valve stem on the wheel. Reinstall the cover by pressing with the palm of your hand. Do not use excessive force. Do not use a hammer.
3. Attach the bolt to the pedestal through the center hole in the cover with the lug wrench.
4. Align the legs of the center ornament with the slots on the wheel cover. Reinstall the ornament by pressing with the palm of your hand. Do not use excessive force. Do not use a hammer.

Anti-Theft Wheel Lug Nuts (If equipped)

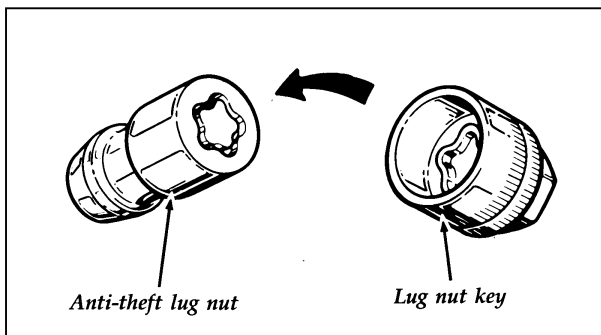
If your vehicle has this feature, one of the lug nuts on each wheel lock must be removed and replaced with a special key. The key and registration card are attached to the lug wrench and stored with the spare tire. If you lose the key, send the registration card to the manufacturer (not to the dealer) to get a replacement key.

NOTE: If entire lug wrench/lug nut key assembly is lost, see your nearest Ford or Lincoln-Mercury dealer who has access to a master set of keys.

DO NOT USE THE KEY WITH AN IMPACT WRENCH.



The anti-theft lug nut and key



The anti-theft lug nut and key (SHO only)

Removing the anti-theft lug nut

Insert the key over the locking lug nut. Make sure that you hold the key square to the lug nut. If you hold the key on an angle, you may damage the key and the lug nut.

Place the lug nut wrench over the lug nut key and apply pressure on the key with the wrench. Turn the wrench in a counterclockwise direction to remove the lug nut.

Reinstalling the anti-theft lug nut

Insert the key over the locking lug nut. Place the lug nut wrench over the lug nut key and, while applying pressure on the key, install the lug nut.

If the Engine Cranks But Does Not Start or Does Not Start After a Collision

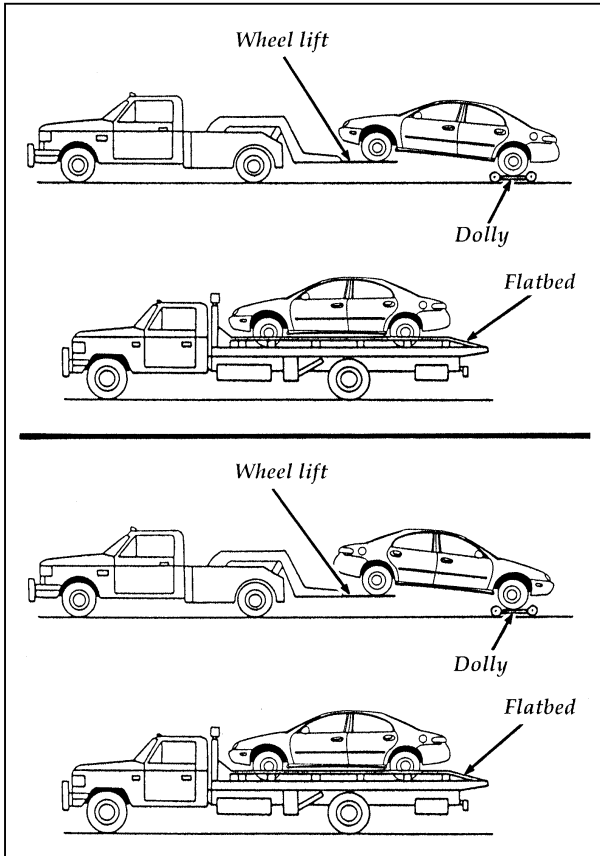
The Fuel Pump Shut-off Switch

If the engine cranks but does not start or if you have had a collision, the fuel pump shut-off switch may have been triggered. The shut-off switch is a device that stops the fuel pump when your vehicle has been involved in a substantial jolt.

For information on how to check and reset the fuel pump shut-off switch, see *Fuel pump shut-off switch* in the Index.

Towing Your Vehicle

If you need to have your vehicle towed, contact a professional towing service or, if you are a member, your roadside assistance center. Your Taurus should be towed from the front unless conditions do not allow it. It is recommended that your vehicle be towed with wheel lift or flatbed equipment.



When calling for a tow truck, tell the operator what kind of vehicle you have. A towing manual is available from Ford Motor Company for all authorized tow truck operators. Have your tow truck driver refer to this manual for the proper hook-up and towing procedures for your vehicle.

Towing Your Vehicle Behind Another Vehicle

At times, you may want to tow your vehicle behind another vehicle, such as a recreational vehicle, a car, or a truck.

Before you have your vehicle towed:

- Release the parking brake.
- Move the gearshift to N (Neutral).
- Turn the key in the ignition to OFF.
- Unlock the steering wheel.

Do not tow your vehicle at a speed faster than 35 mph (56 km/h) or for a distance greater than 50 miles (80 km), unless the drive wheels are placed on dollies.

 WARNING
--

<p>Never use a tow bar that attaches to the bumper when you tow your vehicle. This could damage the bumper and cause an accident.</p>
--

Customer Assistance

Roadside Assistance

Ford Motor Company has set up a 24-hour, seven-day-a-week hotline with trained operators who put you in touch with the help you need if you experience a problem with your vehicle. This complimentary service is provided to you throughout your warranty period of 3 years or 36,000 miles (60,000 km), whichever comes first. To purchase Roadside Assistance coverages beyond this period (available through Ford Auto Club in the United States or Ford and Lincoln-Mercury dealers in Canada), contact your Ford or Lincoln-Mercury dealer. Additional Roadside Assistance coverage is unavailable in Puerto Rico and the Virgin Islands.

Roadside Assistance will cover the following:

- Mount your spare if you have a flat tire.
- Jump-start your battery if it is dead.
- Unlock your vehicle if you are locked out.
- Bring you fuel if you run out.
- Tow your vehicle if you are stranded. Even non-warranty related tows, like accidents or getting stuck in mud or snow, are covered (some exclusions apply, such as impound towing and repossession).

How to use Roadside Assistance

Your Roadside Assistance identification card can be found in the Owner Guide portfolio in your glove compartment. Complete the card and place it in your wallet for quick reference.

To receive roadside assistance in the United States call 1-800-241-FORD (in Canada call 1-800-665-2006).

Should you need to arrange for roadside assistance yourself, Ford Motor Company will reimburse the reasonable cost. To obtain information about reimbursement call 1-800-241-FORD (in Canada call 1-800-665-2006).

If You Have a Service Problem

Ford Motor Company has authorized Ford and Lincoln-Mercury dealerships that can service your vehicle for you. This chapter tells you how to get service or maintenance for your vehicle.

Service/Maintenance Concerns (U.S. or Canada)

Ford recommends taking your vehicle to your selling dealer who wants to ensure your continued satisfaction. You may, however, take your vehicle to any authorized Ford or Lincoln-Mercury dealer. In most cases, your dealer will be able to resolve your concern.

If you are not satisfied with the service you received from your dealership's service department, talk to the service manager at the dealership, or if you still are not satisfied, talk to the owner or general manager of the dealership. In most cases, you will have your concern resolved at this level.

If you are away from home when your vehicle needs to be serviced, or if you need more help than the dealer gave you, contact the Ford Customer Assistance Center to find an authorized dealership that may be able to help.

If you live in the U.S. and have any questions or concerns that the dealership cannot answer, contact the Customer Assistance Center.

*Ford Motor Company
Customer Assistance Center
300 Renaissance Center
P.O. Box 43360
Detroit, Michigan 48243
1-800-392-3673 (FORD)
TDD for the hearing impaired: 1-800-232-5952*

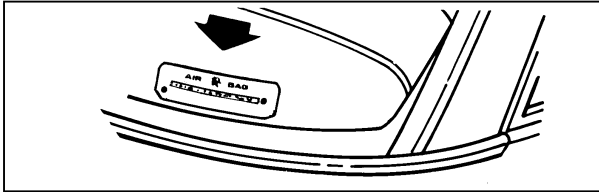
If you live in Canada and have any questions or concerns that the dealership cannot answer, contact the Customer Assistance Centre.

*Customer Assistance Centre
Ford Motor Company of Canada, Limited
P.O. Box 2000
Oakville, Ontario L6J 5E4
1-800-565-3673 (FORD)*

Please have the following information available when contacting the Customer Assistance Centre:

- your telephone number (both business and home)
- the name of the dealer and the city where the dealership is located
- the year and make of your vehicle
- the date purchased

- the current mileage on your vehicle
- your Vehicle Identification Number (VIN) listed on your owner card and/or your vehicle ownership license



Vehicle Identification Number (VIN/Serial Number)

If you still have a service or product complaint, you may wish to contact the Dispute Settlement Board (U.S. only) or the Canadian Motor Vehicle Arbitration Plan (CAMVAP) in Canada.

The Dispute Settlement Board (U.S. Only)

The Dispute Settlement Board is a voluntary, independent dispute-settlement program available free to owners or lessees of qualifying Ford Motor Company vehicles.

The Dispute Settlement Board may not be available in all states. Ford Motor Company reserves the right to change eligibility limitations, modify procedures and/or to discontinue this process at any time without notice and without incurring obligations.

What Kind of Cases Does the Board Review?

The Board reviews unresolved warranty performance complaints on Ford, Mercury and Lincoln cars and Ford and Mercury Light Trucks under warranty that have not been resolved by a dealer or Ford Motor Company.

The Board does not review issues involving:

- A non-Ford product
- A non-Ford dealership
- A vehicle sales transaction
- A request for reimbursement of consequential expenses unless incidental to a service or product complaint being reviewed
- Items not covered by your warranty
- Alleged liability claims
- Property damage where such damage is significant when compared to the economic loss alleged under the warranty dispute
- Cases currently in litigation
- Vehicles not used primarily for personal, family, or household purposes

NOTE: Complaints involving vehicles on which applicable express written new vehicle warranties have expired at receipt of your application are not eligible. Eligibility may differ according to state law. For example, see the unique brochure for California purchasers/lessees.

How Does the Board Work?

The Board has four members:

- three consumer representatives
- a Ford or Lincoln-Mercury dealer

Consumer candidates for Board membership are recruited and trained by an independent consulting firm. Dealers are chosen because of their business leadership qualities.

If the involved vehicle is within 36 months and 36,000 miles of the date of delivery (warranty start date), you have a right to make an oral presentation before the Board by indicating your choice on the application. Also, oral presentations may be requested by the Board. A decision is made by the Board by simple majority vote.

Board members review all the materials related to each complaint and, based on the available information, arrive at a fair and impartial decision. Decisions are based on the written statements and any oral presentations made by each of the involved parties.

Because the Board usually meets only once a month, some cases will take longer than 30 days to be reviewed. The Board will make every effort to resolve each case within 40 days after it receives the customer application form.

After your case has been reviewed, the Board will mail you its decision in writing. It will also provide you with a form to indicate your acceptance or rejection of an award decision. The decisions of the Board are binding on the dealer and Ford, but customers may have other options available to them under state or federal law.

The decisions of the Board, however, may be introduced into evidence by any party in subsequent legal proceedings that may be initiated.

How Do You Contact the Board?

Write to the Board at the following address to request a brochure/application. You will be sent a brochure and a one-page customer application form. The form should be completed and mailed to the same address.

*Dispute Settlement Board
P.O. Box 5120
Southfield, MI 48086-5120*

What is the Review Process?

Your application will be reviewed and if it is determined to be eligible, you will receive an acknowledgment indicating the file number assigned to your application and the local Board address. At the same time, your dealer and Ford Motor Company representative are asked to submit statements.

To review your case properly, the Board needs the following information:

- legible copies of all documents and maintenance or repair orders that relate to the case
- the year, make, model, and vehicle identification number (VIN)
- the date you bought your vehicle
- the date of repair and the mileage at the time of repair
- the current mileage

- the name of the dealer who sold you the vehicle or who serviced your vehicle
- a brief description of your unresolved complaint
- a brief summary of actions that were taken with the dealer and Ford Motor Company
- the names (if known) of all people you contacted at the dealership
- a description of the action you want done to resolve your concern.

Should your application NOT qualify for review, an explanation will be mailed to you.

Reporting Safety Defects (U.S. Only)

If you believe that your vehicle has a defect which could cause a crash or could cause injury or death, you should immediately inform the National Highway Traffic Safety Administration (NHTSA) in addition to notifying Ford Motor Company.

If NHTSA receives similar complaints, it may open an investigation, and if it finds that a safety defect exists in a group of vehicles, it may order a recall and remedy campaign. However, NHTSA cannot become involved in individual problems between you, your dealer, or Ford Motor Company.

To contact NHTSA, you may either call the Auto Safety Hotline toll-free at 1-800-424-9393 (or 366-0123 in the Washington, D.C. area) or write to: NHTSA, U.S. Department of Transportation, 400 Seventh Street, Washington D.C. 20590. You can also obtain other information about motor vehicle safety from the Hotline.

Ford of Canada Customer Assistance

Ford Motor Company of Canada, Limited

If you live in Canada and have any questions or concerns that the dealership cannot answer, contact the Customer Assistance Centre.

*Customer Assistance Centre
Ford Motor Company of Canada, Limited
P.O. Box 2000
Oakville, Ontario L6J 5E4
1-800-565-3673 (FORD)*

Please have the following information available when contacting the Customer Assistance Centre:

- your telephone number (both business and home)
- your Vehicle Identification Number (VIN) listed on your owner card and/or your vehicle ownership license.
- the year and make of your vehicle
- the date purchased
- the name of the dealer and the city where the dealership is located
- the current mileage on your vehicle.

Mediation/Arbitration Program (Canada Only)

In those cases where you continue to feel that the efforts by Ford and the dealer to resolve a factory-related vehicle service concern have been unsatisfactory, Ford of Canada participates in an impartial third party mediation/arbitration program administered by the Canadian Motor Vehicle Arbitration Plan (CAMVAP).

The CAMVAP program is a straight-forward and relative speedy alternative to resolve a disagreement when all other efforts to produce a settlement have failed. This procedure is without cost to you and is designed to eliminate the need for lengthy and expensive legal proceedings.

In the CAMVAP program, impartial third-party Arbitrators conduct hearings at mutually convenient times and places in an informal environment. These impartial Arbitrators review the positions of the parties, make decisions and, where appropriate, render awards to resolve disputes. CAMVAP decisions are fast, fair and final as the Arbitrator's award is binding on both you and Ford of Canada.

CAMVAP services are available in all territories and provinces, except Quebec. For more information, without charge or obligation, call your CAMVAP Provincial Administrator directly at 1-800-207-0685.

This plan is not available in the province of Quebec.

Getting Help Outside the U.S. and Canada

Before you export your vehicle to a foreign country, contact the appropriate foreign embassy or consulate to make sure local regulations do not prevent you from registering your vehicle. Officials at the embassy can also help you decide whether you should import your vehicle to that country.

Officials at the embassy or consulate can tell you where to get unleaded fuel. If you cannot get unleaded fuel or can get only fuel with an anti-knock index that is lower than your vehicle needs, contact a district or owner relations office before you leave the U.S. or Canada.

Use of leaded fuel in your vehicle without a proper conversion may damage the effectiveness of your emissions control system and may cause engine knocking or serious engine damage. Ford Motor Company is not responsible for any damage that is caused by use of improper fuel.

You may also have difficulty importing your vehicle back into the U.S. if you use leaded fuel.

If your vehicle must be serviced while you are traveling or living in Central or South America, the Caribbean, or the Middle East, contact the nearest Ford dealership. If the dealership cannot help you, write to:

*FORD MOTOR COMPANY
WORLDWIDE EXPORT OPERATIONS
1555 Fairlane Drive
Fairlane Business Park #3
Allen Park, Michigan 48101 U.S.A.
Telephone: (313) 594-4857
Fax: (313) 390-0804*

If you are in other foreign countries, contact the nearest Ford dealership. If the dealership cannot help you, they can direct you to the appropriate Ford affiliate office.

If you buy your vehicle in North America and then relocate outside of the U.S. or Canada, register your Vehicle Identification Number and new address with Ford Motor Company Export Operations.

Accessories

Ford Accessories for Your Vehicle

Ford has many fine products available from your dealer to clean your vehicle and protect its finishes. For best results, use the following, or products of equivalent quality:

- Ford Custom Clear Coat Polish
- Ford Custom Silicone Gloss Polish
- Ford Custom Vinyl Protectant
- Ford Deluxe Leather and Vinyl Cleaner
- Ford Extra Strength Spot and Stain Remover
- Ford Extra Strength Tar and Road Oil Remover
- Ford Extra Strength Upholstery Cleaner
- Ford Extra Strength Whitewall Tire Cleaner
- Ford Multi-Purpose Cleaner Concentrate
- Ford Premium Car Wash Concentrate
- Ford Triple Clean
- Ford Ultra-Clear Spray Glass Cleaner

A wide selection of accessories is available through your local authorized dealer. These fine accessories have been engineered specifically to fulfill your automotive needs. They are custom designed to complement the style and aerodynamic appearance of your Ford-built vehicle. In addition, each accessory is made from high quality materials and meets or exceeds Ford's rigid engineering and safety specifications. That is why Ford brand accessories are warranted for up to 3 years or 36,000 miles (60,000 km), whichever comes first. See your dealer for complete warranty information and accessory availability.

Safety, Comfort, and Convenience

Visibility

Side window deflector

Travel

Bike rack adapter (attaches to base roof rack)

Heavy-duty battery (standard in Canada)

Ski rack adapter (attaches to base roof rack)

Soft luggage cover (for base roof rack)

Speed control

Comfort and convenience

Engine block heater (standard in Canada)

Remote keyless entry

Protection and appearance

Cargo net (sedan)

Carpeted floor mats

Cleaners, waxes and polishes

Full front-end covers

Lubricants and oil

Mini-mask front-end cover

Multi-purpose spotlight

Spoiler/wing

Super Seal fabric protector (in U.S. only)

Super Seal undercoating (in U.S. only)

Touch-up paints

Vehicle security system

Wheel locknuts (anti-theft)

Wheel splash guards (molded and flat)

NOTE: When adding accessories, equipment, passengers, and luggage to your vehicle, do not exceed the total weight capacity of the vehicle or of the front or rear axle (GVWR, GAWR as shown on the Safety Compliance Certification Label). Consult your dealer for specific weight information.

NOTE: The Federal Communications Commission (FCC) or the Canadian Radio Telecommunications Commission (CRTC) regulates the use of mobile communications systems — such as two-way radios, telephones, and theft alarms — that are equipped with radio transmitters. Any such equipment installed in your vehicle should comply with FCC or CRTC regulations and should be installed only by a qualified technician.

NOTE: Mobile communications systems may harm the operation of your vehicle, particularly if they are not properly designed for automotive use or are not properly installed. For example, when operated, such systems may cause the engine to stumble or stall. In addition, such systems may themselves be damaged or their operation affected by operating your vehicle. (Citizens band [CB] transceivers, garage door openers, and other transmitters whose power output is 5 watts or less will not ordinarily affect your vehicle's operation.)

NOTE: Because we have no control over the installation, design, or manufacture of such systems, Ford cannot assume responsibility for any adverse effects or damage that may result if you use this equipment.

1996 Taurus Owner Manual Order Form

PUBLICATION FORM NO.	DESCRIPTION
FCS-12055-96	1996 Taurus Service Manual
FCS-12106-96	1996 Powertrain Control/ Emission Diagnosis
FCS-12139-96	1996 Car Service Spec. (FWD/RWD)
FCS-12123-96	1996 Taurus Electrical & Vacuum Troubleshooting Manual
93-VID-OM	Ford and the American Dream (50) Minutes of Historic/Nostalgic Videotape

- **NOTE:** For publications prior to year shown above, write for availability to the address shown below.
- Please allow ample time for postal service delivery.

U.S. RESIDENTS

Make checks payable to: HELM, INCORPORATED

MAIL ORDER TO:

HELM, INCORPORATED
P.O. Box 07150
Detroit, Michigan 48207

OR ORDER TOLL FREE:

1-800-782-4356

Monday - Friday 8:00 A.M. - 6:00 P.M. EST
For Credit Card Holder Orders Only

CANADIAN RESIDENTS

Make cheques payable to: Ford Motor Company of Canada, Ltd.

MAIL ORDER TO:

Ford Motor Company of Canada, Ltd.
Service Publications
P.O. Box 1580, Station B
Mississauga, Ontario, Canada L4Y 4G3

OR ORDER TOLL FREE:

1-800-387-4966

Monday - Friday 8:30 A.M. - 6:00 P.M. EST
For Credit Card Holder Orders Only

U.S. RESIDENTS USE THIS PAGE

ORDER TOLL FREE 1-800-782-4356	NOTE: For Credit Card Holder Orders Only Monday-Friday 8:00 A.M.-6:00 P.M. EST
<i>If further information is needed, write to the address shown below or call 1-800-782-4356. Material cannot be returned for credit without receiving advance authorization within 14 days of delivery. On returns, a re-stocking fee may be applied against the original order.</i>	

1 9 9 6	PUBLICATION FORM NUMBER	1996 TAURUS PUBLICATION	QTY.	PRICE EACH	TOTAL PRICE
		FCS-12055-96	Taurus SM		\$ 85.00
	FCS-12106-96	Powertrain Control/ED		160.00	
	FCS-12139-96	Car Service Spec. (FWD/RWD)		32.00	
	FCS-12123-96	Taurus EVTM		32.00	
	93-VID-DM	Videotape		19.95	

P A Y M E N T	<input type="checkbox"/> Check or Money Order payable to Helm, Inc. (USA funds only — do not send cash.)	<table border="1" style="width: 100%; border-collapse: collapse;"> <tr><td colspan="2" style="text-align: center;">TOTAL MATERIAL</td></tr> <tr><td colspan="2" style="text-align: center;">Michigan Purchasers add 6% sales tax</td></tr> <tr><td style="text-align: center;">Handling Charge</td><td style="text-align: center;">\$4.00</td></tr> <tr><td colspan="2" style="text-align: center;">GRAND TOTAL</td></tr> </table>	TOTAL MATERIAL		Michigan Purchasers add 6% sales tax		Handling Charge	\$4.00	GRAND TOTAL	
	TOTAL MATERIAL									
	Michigan Purchasers add 6% sales tax									
	Handling Charge	\$4.00								
	GRAND TOTAL									
<input type="checkbox"/> MasterCard										
<input type="checkbox"/> VISA <input type="checkbox"/> Discover										
Account Number <input style="width: 20px;" type="text"/> <input style="width: 20px;" type="text"/> <input style="width: 20px;" type="text"/> <input style="width: 20px;" type="text"/> <input style="width: 20px;" type="text"/> <input style="width: 20px;" type="text"/> <input style="width: 20px;" type="text"/> <input style="width: 20px;" type="text"/> <input style="width: 20px;" type="text"/> <input style="width: 20px;" type="text"/> <input style="width: 20px;" type="text"/> <input style="width: 20px;" type="text"/> <input style="width: 20px;" type="text"/> <input style="width: 20px;" type="text"/> <input style="width: 20px;" type="text"/> <input style="width: 20px;" type="text"/> <input style="width: 20px;" type="text"/> <input style="width: 20px;" type="text"/> <input style="width: 20px;" type="text"/> <input style="width: 20px;" type="text"/>										
Expiration Date mo/yr: <input style="width: 20px;" type="text"/> <input style="width: 20px;" type="text"/> <input style="width: 20px;" type="text"/> <input style="width: 20px;" type="text"/>	<input type="checkbox"/> Check here if billing address is different from shipping address shown.									
(CUSTOMER SIGNATURE) _____	(DATE) _____									

S H I P P I N G	NOTE: Dealers and Companies please provide dealer or company name, along with the name of the person to whom the shipment should be sent. For purchases outside U.S.A. and Canada, please write to the following address for quotation. Mail completed order form to: HELM, INC • P.O. Box 07150 • Detroit, MI 48207. Please allow 6-8 weeks for delivery. Prices are subject to change without notice and without incurring obligation.	
	(CUSTOMER NAME) _____	(ATTENTION) _____
	(STREET ADDRESS - NO P.O. BOX NUMBERS) _____	(APT.NO.) _____
	(CITY) _____	(STATE) (ZIP CODE) _____
	DAYTIME TELEPHONE AREA CODE () _____	

CANADIAN RESIDENTS USE THIS PAGE

ORDER TOLL FREE
1-800-387-4966

**NOTE: For Credit Card
Holder Orders Only**
Monday-Friday
8:30 A.M.-6:00 P.M. EST

If further information is needed, write to the address shown below or call 1-800-387-4966. Material cannot be returned for credit without receiving advance authorization within 14 days of delivery. On returns, a re-stocking fee may be applied against the original order.

1 9 9 6	PUBLICATION FORM NUMBER	1996 TAURUS	QTY.	PRICE EACH	TOTAL PRICE
		PUBLICATION			
	FCS-12055-96	Service Manual		\$103.00	
	FCS-12106-96	Powertrain Control/ED		160.00	
	FCS-12139-96	Car Service Spec. (FWD/RWD)		39.00	
	FCS-12123-96	Electrical & Vacuum T.M.		43.00	

P A Y M E N T	<input type="checkbox"/> Cheques or Money Order payable to Ford Motor Company of Canada, Ltd. (Do not send cash.)	TOTAL MATERIAL	
	<input type="checkbox"/> VISA Only	G.S.T. (7%)	
		Handling/Shipping Charge Individual Item Order Except Service Manuals \$5.00 OR Service Manuals and Multiple Item Orders \$10.00 (French Owner Guide: No Charge)	
		GRAND TOTAL	

Account Number

Expiration Date mo/yr: Check here if billing address is different from shipping address shown.

(CUSTOMER SIGNATURE) _____ (DATE) _____

**S
H
I
P
T
O**

NOTE: Dealers and Companies please provide dealer or company name, along with the name of the person to whom the shipment should be sent. Mail completed order form to: Ford Motor Company of Canada, Ltd. • Service Publications • P.O. Box 1580, Station B Mississauga, Ontario, Canada L4Y 4G3. Please allow 6-8 weeks for delivery. Prices are subject to change without notice and without incurring obligation.

(CUSTOMER NAME) _____ (ATTENTION) _____

(STREET ADDRESS - NO P.O. BOX NUMBERS) _____ (APT.NO.) _____

(CITY) _____ (PROVINCE) _____ (POSTAL CODE) _____

DAYTIME TELEPHONE AREA CODE () _____

Servicing Your Taurus

Service Made Easy

Ford has two goals for servicing your vehicle.

1. When we can, we design parts that do not need to be serviced.
2. We want to make servicing your vehicle as easy as possible. To help you:
 - We highlight do-it-yourself items in yellow in the engine compartment so that you can find them easily.
 - When possible, we design parts — such as the headlamp bulbs — that can be replaced without tools.
 - We give you a Maintenance Schedule that makes tracking routine service for your vehicle easy. The maintenance schedule is located in the *Maintenance Schedule and Record* booklet.

This chapter tells you about the basic parts that you need to check and service regularly.

If your vehicle needs professional servicing, see the *Customer Assistance* chapter.

Check your *Warranty Information Booklet* to find out which parts are covered.

Ford Motor Company recommends that you perform the Owner Maintenance Checks listed in the *Maintenance Schedule and Record* booklet. These services are important for the proper operation of your vehicle. In addition to the conditions listed in the Owner Maintenance Checklist, be alert for any unusual noise, vibration, or other indication that your vehicle may need service. If you do notice something unusual, see that your vehicle is serviced promptly.

Use only recommended fuels, lubricants, fluids, and service parts conforming to specifications. Motorcraft parts are designed and built to provide the best performance in your vehicle. Using these parts for replacement is your assurance that Ford-built quality stays in your vehicle.

NOTE: Always dispose of used automotive fluids in a responsible manner. Follow your community's standards for disposing of these types of fluids. Call your local recycling center to find out about recycling automotive fluids.

Precautions When Servicing Your Vehicle

Be especially careful when inspecting or servicing your vehicle. Here are some general precautions for your safety:

- Do not work on a hot engine. The engine cooling fans may come on unexpectedly. Always turn the engine off and let it cool.

⚠ WARNING

The cooling fans are automatic and may come on at any time. Always disconnect the negative terminal of the battery before working near the fan.

- If you must work with the engine running, avoid wearing loose clothing or jewelry that could get caught in moving parts. Take appropriate precautions with long hair.
- Do not work on a vehicle in an enclosed space with the engine running, unless you are sure you have enough ventilation.
- Never get under a vehicle while it is supported by a jack only. If you must work under a vehicle, use safety stands.
- Keep all lit cigarettes and other smoking materials away from the battery and all fuel-related parts.

If you disconnect the battery, the engine must “relearn” its idle conditions before your vehicle will drive properly. To find out how the engine does this, see *Battery* in this chapter.

Working with the engine off:

1. Set the parking brake fully and make sure that the gearshift is securely latched in P (Park).
2. Remove the key from the ignition after you turn the engine off.
3. Block the wheels. This will prevent your vehicle from moving unexpectedly.

Working with the engine on:

1. Set the parking brake fully and make sure that the gearshift is securely latched in P (Park).
2. Block the wheels. This will prevent your vehicle from moving unexpectedly.

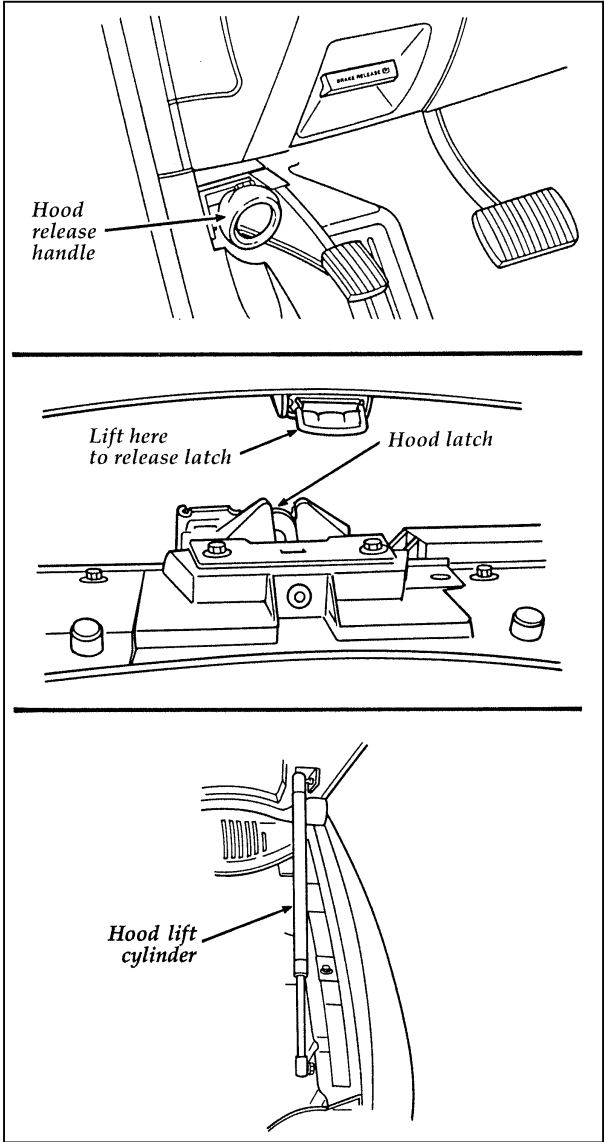
 WARNING
--

Do not start your engine with the air cleaner removed and do not remove it while the engine is running.
--

Opening the Hood

1. Inside the vehicle, pull the hood release handle located under the bottom left corner of the instrument panel.
2. Go to the front of the vehicle and release the auxiliary latch that is located under the hood at the center of the vehicle.
3. Lift the hood until the lift cylinders hold it open.

Whenever you close the hood, latch it securely.



The hood release, hood latch, and lift cylinder assembly

NOTE: Read and understand *Precautions When Servicing Your Vehicle* at the beginning of this chapter before opening the hood.

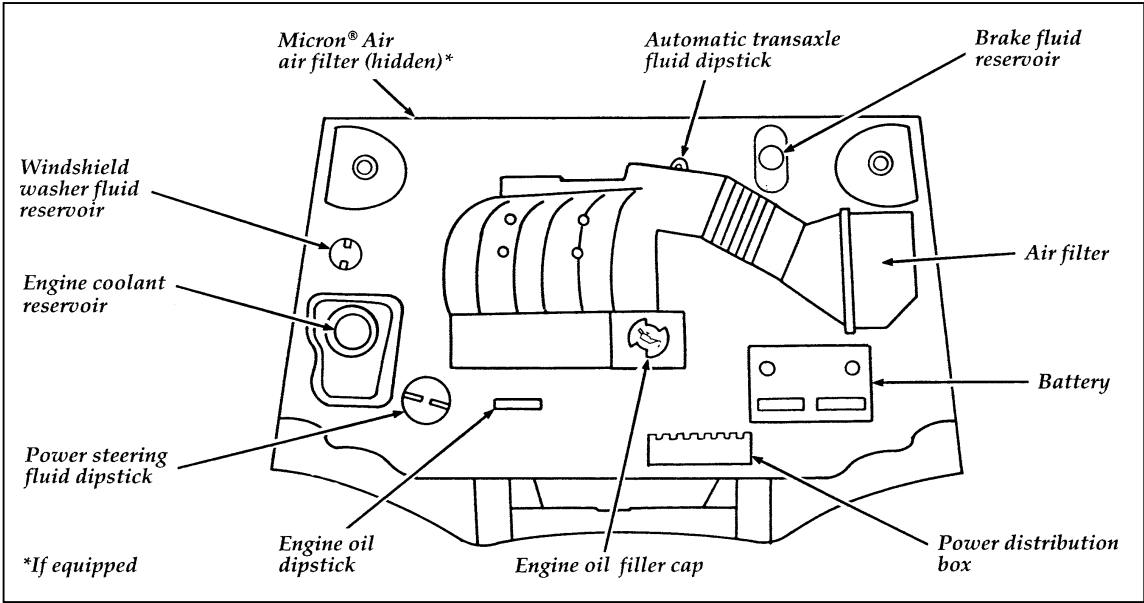
Engine Compartment

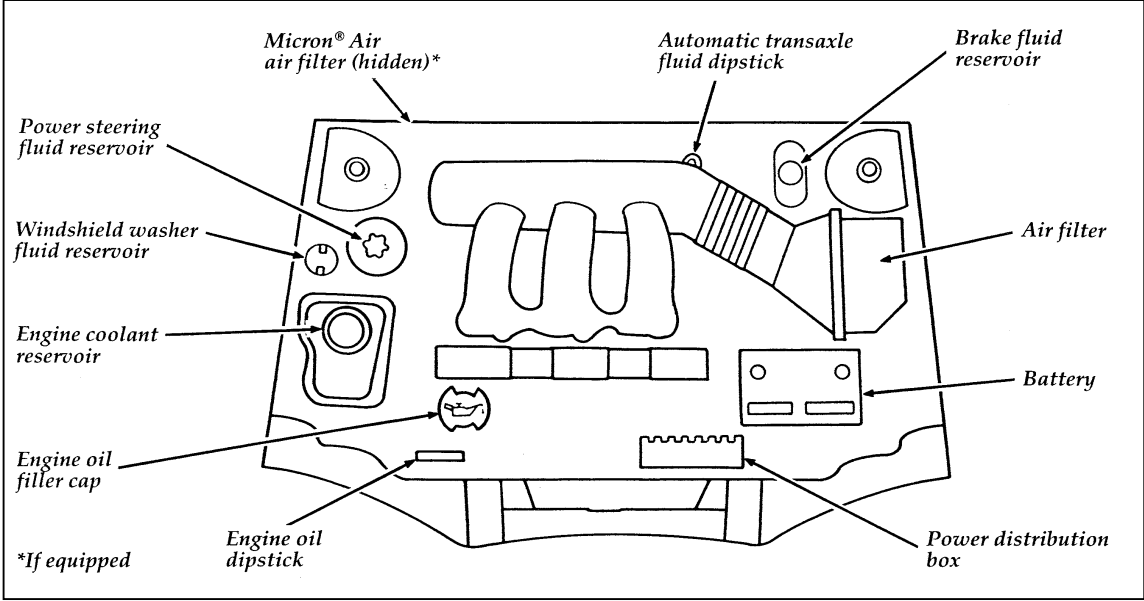
Your vehicle has one of these types of engines:

- a 3.0L Vulcan engine
- a 3.0L Duratec engine
- a 3.4L SHO engine

The following pages show diagrams of each engine type and where to find items that you should regularly service.

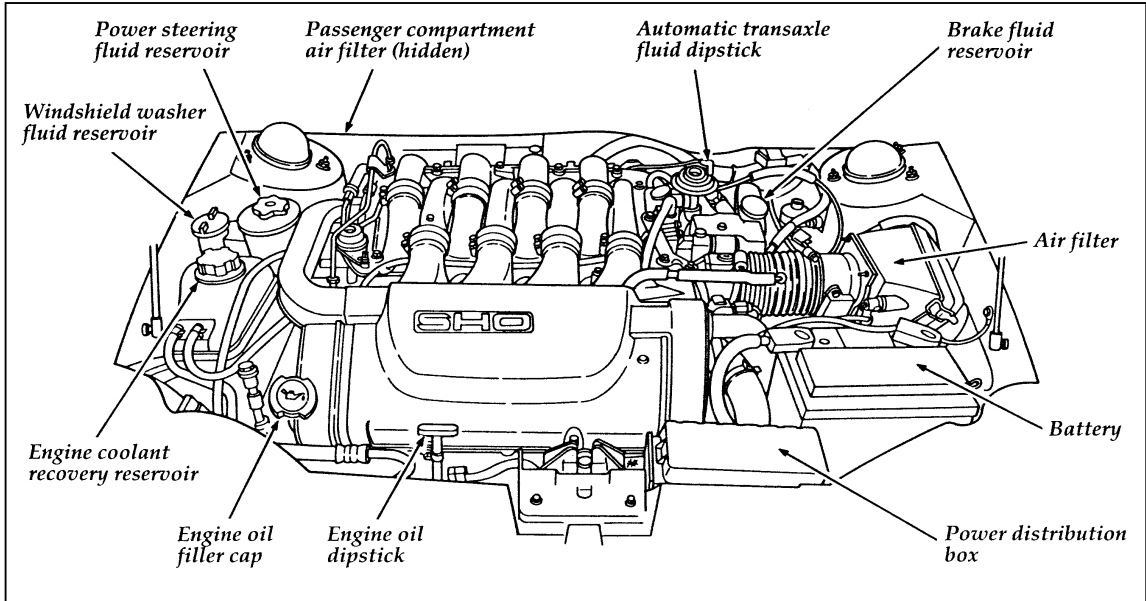
The 3.0 liter Vulcan engine





The 3.0 liter Duratec engine

The 3.4 liter SHO engine



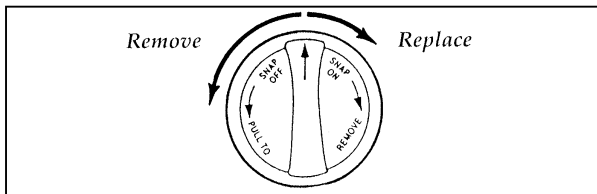
Cleaning the Engine

A clean engine is more efficient because the engine is able to cool properly. A build up of grease and dirt acts as an insulator, keeping the engine warmer than normal.

- Extreme care must be used if a power washer is used to clean the engine. The high pressure fluid could penetrate sealed parts and assemblies causing damage or malfunctions.
- In order to avoid possible cracking of the engine block or fuel injection pump, do not spray a hot engine or injection pump with cold water.
- The alternator, distributor and air intake must be covered. Covering these components will help prevent water damage.
- Never wash or rinse the engine while it is running. Water getting into the engine may cause internal damage.

Filling the Fuel Tank

1. Turn the engine off. After opening the fuel door, remove the cap carefully and slowly by turning it counterclockwise 1/4 turn until it stops. Pull to remove the cap. A tether attaches the cap to the fuel filler pipe.



⚠ WARNING

The fuel system may be under pressure. If the fuel cap is venting vapor or if you hear a hissing sound, wait until it stops before completely removing the cap. Otherwise, fuel may spray out and injure you or others.

2. Make sure that you pump unleaded fuel and put the nozzle all the way inside the fuel filler pipe.

NOTE: To help reduce early nozzle shutoffs and fuel spillage, park your vehicle so that the fuel filler door is not downhill. Do not tilt or turn the nozzle upside down when filling. Avoid excessively fast fuel dispensing rates (over 10 gallons [38 liters] per minute).

NOTE: If you spill any fuel on the body of your vehicle, clean it off immediately. The fuel may dull or soften the paint if you do not wash it off.

3. To replace the fuel cap, align the tabs on the cap with the notches on the filler pipe. Turn it clockwise until it stops.
4. Push the fuel door closed.

If the Service Engine Soon warning light comes on and stays on when you start the engine, the fuel cap may not be properly seated. Turn off the engine, remove the fuel cap and replace it, being careful to align the cap properly. For more information, see *Warning lights* in the Index.

If you lose the fuel cap, replace it with an authorized Motorcraft or equivalent part.

⚠ WARNING

If you do not use the proper fuel cap, the pressure in the fuel tank can damage the fuel system or cause it to work improperly in a collision.

NOTE: If you replace your fuel cap with an aftermarket fuel filler cap, the customer warranty may be void for any damage to the fuel tank and/or fuel system.

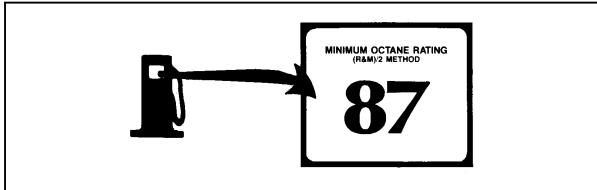
Choosing the Right Fuel

Use only UNLEADED FUEL. Using leaded fuel is prohibited by federal law. Any vehicle damage may not be covered by your warranty.

Octane Recommendations

All models except SHO 3.4L

Your vehicle is designed to use regular fuel with an octane rating of 87. In most cases it is not necessary to use a fuel with an octane rating higher than 87. At service stations, the octane rating is displayed in a label on the pumps.



Typical octane rating label

We do not recommend gasolines labeled “regular” that are sold with octane ratings of 86 or even less in high altitude areas.

Do not be concerned if your vehicle sometimes knocks lightly. However, if it knocks heavily under most driving conditions on the recommended octane rating fuel, see your dealer or a qualified service technician to prevent any engine damage.

SHO 3.4L engine

The SHO 3.4L engine has been designed to operate using premium unleaded fuel with an octane rating of 91 or higher. Regular unleaded fuel with an octane rating of 87 may be used if necessary. For optimum performance and driveability, it is recommended that you use premium unleaded fuel.

In some high altitude areas, “premium” fuels are sold with octane ratings of less than 91. It is recommended that you use only those “premium” fuels with an octane rating of 91 or higher.

Fuel quality

Ford approves the use of gasolines, including those reformulated, that contain oxygenates such as ethanol (10% maximum) and MTBE (15% maximum). If methanol is used, the gasoline should contain no more than 5% with cosolvents.

If you are experiencing starting, rough idle or hesitation problems, try a different brand of fuel. If the condition persists, see your dealer or a qualified service technician.

It should not be necessary to add any aftermarket products to your fuel tank if you continue to use a high-quality fuel.

Safety Information Relating to Automotive Fuels

 WARNING
Automotive fuels can cause serious injury or death if misused or mishandled.

Automotive fuels can cause serious injury or death if misused or mishandled.

Gasoline and other automotive fuels are extremely flammable. Turn your vehicle off and do not smoke while refueling your vehicle. Keep sparks and other sources of ignition away from fuels.

Automotive fuels can be harmful or fatal if swallowed. **Never attempt to siphon any fuel by mouth.**

If any fuel is swallowed, call a physician or poison control center immediately. **Do not delay calling a physician merely because no adverse effects are noticed at first; the toxic effects of fuels may not become apparent for many hours.**

If gasoline is swallowed, do not induce vomiting. If a gasoline-methanol blend is swallowed, induce vomiting under the direction of a physician or poison control center.

Gasoline and gasoline blends may contain small amounts of carcinogens, such as benzene. Long-term exposure to unleaded gasoline vapors has caused cancer in laboratory animals.

Fuels can also be harmful if absorbed through the skin. Be careful not to splash fuel on yourself or your clothing. If fuel is splashed on the skin, promptly remove contaminated clothing and wash the skin thoroughly with soap and water.

Fuels can cause severe eye irritation and possibly eye damage. If fuel is splashed in the eyes, remove contact lenses (if worn), flush with large amounts of water for 15 minutes, and seek medical attention.

If you are taking the medication “Antabuse” or other forms of disulfiram for the treatment of alcoholism, vapor or skin contact with a gasoline-methanol blend may cause the same kind of adverse reaction as drinking an alcoholic beverage. In sensitive individuals, serious personal injury or sickness could result. Consult a physician promptly if you experience an adverse reaction.

Fuel line service

Fuel injection systems operate with pressurized fuel. The fuel lines are under pressure even when the engine is off. This system should be serviced by an authorized dealer using only Ford approved parts. Using other materials may be hazardous or allow hydrocarbon emissions above the legal levels set by the Federal Government.

Running Out of Fuel

If your vehicle runs out of fuel, try to stop on level ground away from traffic. Add at least one gallon (four liters) of fuel to start your vehicle again. If your vehicle is not on level ground, you may need as much as five gallons (20 liters) of fuel to start it.

You may need to crank the engine several times before the fuel system starts to pump fuel from the tank to the engine.

If the engine does not start, check the fuel pump shut-off switch and reset as required. See *Fuel pump shut-off switch* in the Index.

⚠ WARNING

Never pour fuel in the throttle body or attempt to start the engine with the air cleaner removed. Doing so could result in fire and personal injury.

Fuel Economy

Fuel economy is an estimate of the efficiency of your vehicle and can be calculated as Miles Per Gallon (MPG) or Liters Per 100 Kilometers (L/100K).

To calculate fuel economy:

1. Fill the tank completely and record the initial odometer reading.
2. Every time you buy fuel record the amount (in gallons or liters) purchased.

Keep a record for at least a month. This will give you a more accurate estimate than figuring the fuel economy based on only one or two readings.

3. After at least three to five tankfuls, fill the fuel tank and record the final odometer reading.
4. Use these equations to calculate your fuel economy:

English: $\text{MPG} = \frac{\text{total miles driven}}{\text{gallons used}}$

Metric: $\text{L}/100\text{k} = \frac{\text{liters used}}{\text{100 kilometers}}$

Comparisons With Environmental Protection Agency (EPA) and Transport Canada (TC) Fuel Economy Estimates

EPA fuel economy figures are obtained from laboratory tests under simulated road conditions and may not reflect the actual conditions you experience or your style of driving. The EPA fuel economy estimate is not a guarantee that you will achieve the fuel economy shown.

Improving Fuel Economy

Fuel economy is affected by a number of variables which can reduce efficiency. You can improve fuel economy by understanding these variables and minimizing their effect.

The following decrease fuel economy:

- Lack of regular, scheduled maintenance
- Excessive speed
- Rapid acceleration and excessive speed
- Driving with your foot on the brake
- Sudden stops
- Extended engine idling
- Using speed control in hilly terrain
- Extended use of the A/C, defroster, rear window defroster and other accessories
- Underinflated tires
- Heavy loads
- Aftermarket add-ons such as bike, ski or luggage racks, bug deflectors, etc.

Self-Service Pointers

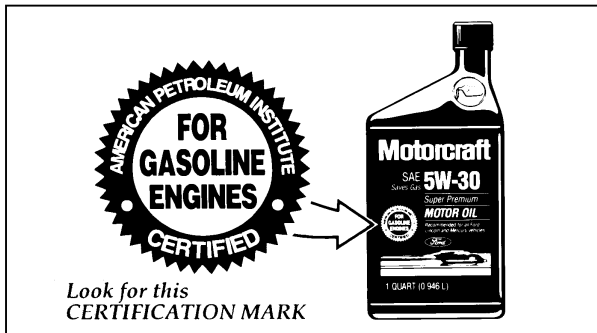
If you choose to do your own fueling, you should also perform a few simple maintenance routines. This extra effort will save you additional money and contribute to the driving efficiency of your vehicle.

The following procedures require only a tire gauge, a rag, an oil can spout and windshield washer fluid.

- Check the engine oil at every refueling stop
- Clean the windshield, outside mirrors and headlights
- Check windshield washer fluid
- Check tires for excessive wear or worn edges
- Check the tire pressure at least monthly

Engine Oil Recommendations

We recommend using Motorcraft oil or an equivalent oil meeting Ford Specification WSS-M2C153-F and displaying the American Petroleum Institute CERTIFICATION MARK on the front of the container.



The API Certification Mark

Never use:

- “Non-Detergent” oils
- Oils labeled API SA, SB, SC, SD, SE, SF or SG
- Additional engine oil additives, oil treatments or engine treatments

Engine oils with an SAE 5W-30 viscosity are **PREFERRED** for your vehicle. They provide the best engine performance, fuel economy and engine protection for all climates down to -15°F (-25°C).

Synthetic engine oils which are CERTIFIED and of the preferred viscosity may be used in your engine. The engine oil and oil filter must still be changed according to the maintenance schedule.

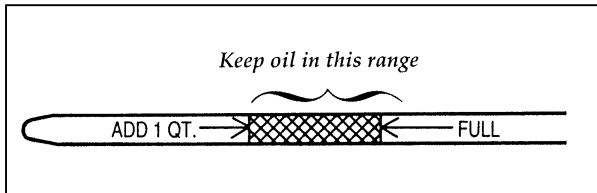
Checking and Adding Engine Oil

Since the proper amount of engine oil is important for safe engine operation, check the oil using the dipstick each time you put fuel in your vehicle. Remember the engine must be off, the oil must be warm and the vehicle must be parked on level ground.

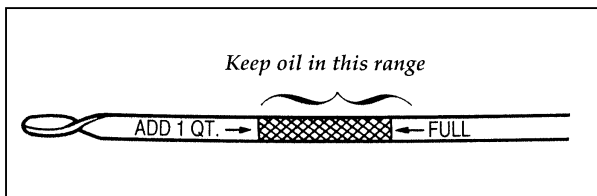
Checking the engine oil level:

1. Turn the engine off after it has warmed up and allow a few minutes for the engine oil to drain back into the oil pan.
2. Set the parking brake, making sure the gearshift is securely latched in P (Park).
3. Open the hood. Protect yourself from engine heat.
4. Locate the engine oil dipstick (highlighted in yellow) and carefully pull it out of the engine.

5. Wipe the dipstick clean and put it back into position, making sure it is fully seated.



Engine oil dipstick (3.0L Vulcan)



Engine oil dipstick (3.0L Duratec and 3.4L SHO)

6. Carefully, pull the dipstick out again. If the oil level is below the “ADD 1 QT” line, add engine oil as necessary. If the oil level is beyond the letter “F” in Full, engine damage or high oil consumption may occur and some oil must be removed from the engine.
7. Put the dipstick back in and make sure it is fully seated.

Adding engine oil

It may be necessary to add some oil between oil changes. Make sure you use a CERTIFIED engine oil of the preferred viscosity. Your vehicle’s warranty coverage may not apply if engine damage is caused by the use of improper engine oil.

Add engine oil through the oil filler cap highlighted in yellow. To add oil, remove the filler cap and use a funnel to pour oil into the opening. Be careful not to overfill the engine. Recheck the oil level after you finish adding oil.

Changing the Engine Oil and the Oil Filter

Change the engine oil and oil filter per the following, whichever occurs first.

5,000 MILES (8,000 KM) OR 6 MONTHS
NORMAL SCHEDULE

3,000 MILES (5,000 KM) OR 3 MONTHS
SEVERE DUTY SCHEDULE

EXTENSIVE IDLING
TRAILER TOWING
DRIVING IN SEVERE DUST
POLICE, TAXI, OR DELIVERY

Refer to the Maintenance Schedule and Record Booklet for additional information.

NOTE: Always dispose of used automotive fluids in a responsible manner. Follow your community's standards for disposing of these types of fluids. Call your local recycling center to find out about recycling automotive fluids.

 **WARNING**

Continuous contact with USED motor oil has caused cancer in laboratory mice.

Protect your skin by washing with mild soap and water.

Engine Coolant

Checking the Engine Coolant

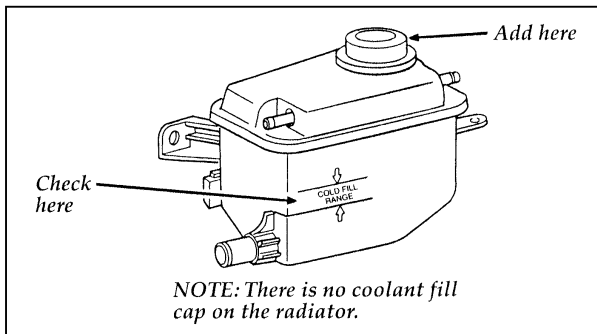
NOTE: Be sure to read and understand *Precautions When Servicing Your Vehicle* at the beginning of this chapter.

 WARNING
--

<p>The cooling fans are automatic and may come on at any time. Always disconnect the negative terminal of the battery before working near the fan.</p>

Your vehicle's coolant protects your engine from overheating in the summer and from freezing in the winter. Check the level of the coolant at least once a month. Simply look at the engine coolant reservoir located in the engine compartment. To locate the reservoir, see the diagram of your vehicle's engine under *Engine Type*, in this chapter.

The coolant additives also protect the entire cooling system from internal passageway corrosion and these additives lubricate the water pump. The coolant should be serviced as noted in the *Maintenance Schedule and Record* booklet.



The engine coolant reservoir (3.0L Vulcan shown — 3.0L Duratec and 3.4L SHO similar)

The coolant level in the reservoir should be maintained within the cold fill range.

There may be a low coolant warning light in the instrument cluster which will light when the coolant level is low.

Checking Hoses

Inspect all engine and heater system hoses and hose connections for deterioration, leaks, and loose hose clamps as specified in the *Maintenance Schedule and Record* booklet. Repair or replace with Motorcraft hoses or equivalent as necessary.

Adding Engine Coolant

⚠ WARNING

Do not put engine coolant in the container for the windshield washer fluid.

If sprayed to clean the glass, engine coolant or antifreeze could make it difficult to see through the windshield.

⚠ WARNING

Never remove the pressure cap while the engine is running or hot to avoid personal injury that can be caused by escaping steam or engine coolant.

1. Before you remove the cap, turn the engine off and let it cool. Even when the engine is cool, be careful when you remove the cap.
2. When the engine is cold, wrap a thick cloth around the cap and turn it slowly counterclockwise to relieve pressure.
3. Step back while the pressure releases.
4. When you are sure that all the pressure has been released, use the cloth to turn and remove cap.
5. Stand away from the reservoir opening. Hot steam may blow out or hot engine coolant may even splash out.

⚠ WARNING

Failure to follow these instructions could result in serious personal injury from hot engine coolant or steam blowout and/or damage to the engine cooling system or engine.

To find out how much engine coolant mixture your vehicle's coolant system can hold, see *Refill capacities for fluids* in the Index.

Add engine coolant only to the coolant reservoir. If the coolant level is low, add to the reservoir a 50/50 mixture of water and the type of engine coolant that Ford specifies. You may add water by itself only in an emergency, but you should replace it with a 50/50 mixture as soon as possible.

Ford Premium Cooling System Fluid is an optimized formula that will protect all metal and rubber elastomers used in Ford engines for four years or 50,000 miles (80,000 km). It is not necessary and not recommended to use supplemental coolant additives in your vehicle. These additives may harm your engine cooling system. Follow the recommended service interval for changing your engine coolant.

NOTE: When you change or add engine coolant, it is important to maintain your engine coolant concentration between 40% (-11°F [-24°C]) and 60% (-62°F [-52°C]), depending on your local climate conditions. Below 40% you will lose freeze protection and above 60% your engine may overheat on a warm day.

NOTE: Less than 40% of coolant concentration may cause engine corrosion and overheating. Plain water may be used in an emergency only. Replace it with the specified coolant as quickly as possible.

NOTE: The use of an improper coolant may void your warranty for the engine cooling system. Use only a premium, nationally recognized brand name engine coolant. Do not use alcohol, methanol antifreeze or engine coolant mixed with alcohol or methanol antifreeze. If you do not use the proper coolant, the aluminum engine on your vehicle will corrode.

Ford Motor Company expressly authorizes the Ford Rotunda engine coolant recycling process and chemicals. Use only Ford Rotunda recycled engine coolant or an equivalent recycled engine coolant that is certified by the supplier to meet Ford specification ESE-M97B44-A.

NOTE: Always dispose of used automotive fluids in a responsible manner. Follow your community's standards for disposing of these types of fluids. Call your local recycling center to find out about recycling automotive fluids.

Use Ford Premium Cooling System Fluid E2FZ-19549-AA (in Canada, Motorcraft CXC-8-B) or an equivalent engine coolant that meets Ford Specification ESE-M97B44-A.

Have your dealer check the engine cooling system for leaks if:

- you have to add engine coolant more than once a month, or
- you have to add more than a quart (liter) at a time

Engine Coolant Drain and Flush

Proper procedures for a complete coolant drain and flush of the cooling system can be found in the *Car Service Manual*. Following these recommended procedures will ensure that the specified coolant level and a 50/50 or appropriate mixture of coolant and water is maintained.

Engine Coolant Refill Procedure

When the entire cooling system is drained and refilled, the following procedure should be used to ensure a complete fill:

- With the engine OFF and cool, remove the pressure cap, located on the coolant reservoir.
- Add a 50/50 mixture of specified coolant and water to the coolant reservoir. Refer to *Refill Capacities* later in this chapter for the correct amount.
- Continue to fill the reservoir until the coolant is at the top of the cold fill range.
- Reinstall the pressure cap until it clicks.
- Start and idle the engine until the radiator upper hose is warm (this indicates the thermostat is open and coolant is flowing through the entire system).
- Immediately shut off the engine and let cool. Cautiously remove the pressure cap and add a 50/50 mixture of specified coolant and water until the coolant is within the cold fill range in the coolant reservoir.
- Reinstall the pressure cap until a click is heard and felt.
- Check for leaks at the draincock.
- Recheck the engine coolant level, using the recommended procedure, after one or two occasions of vehicle use.

About Your Battery

Your vehicle may have a Motorcraft maintenance-free battery. When the original equipment battery is replaced under warranty, it may be replaced by a Motorcraft Low-Maintenance Battery.

Because your vehicle's engine is electronically controlled by a computer, some control conditions are maintained by power from the battery. If you ever disconnect the battery or install a new battery, you must allow the computer to "relearn" its idle conditions before your vehicle will drive properly. To begin this process, put the gearshift in P (Park), set the parking brake, turn off all the accessories, and start the vehicle. Bring the engine to normal operating temperature. Allow the engine to idle for one minute in N (Neutral) and one minute in Drive or Overdrive. Perform the previous procedure with the air conditioning on and off (conditions permitting). The relearning process will complete automatically as you drive the vehicle.

Driveability may be deteriorated slightly until all drive modes are "relearned."

If you do not let the engine relearn its idle, the idle quality of your vehicle may be adversely affected until the idle is relearned. Your vehicle will eventually relearn its idle while you drive it, but it takes much longer than if you use the previous procedure.

Help Us Protect Our Environment

Ford Motor Company strongly recommends that used lead-acid batteries be returned to an authorized recycling facility for disposal.

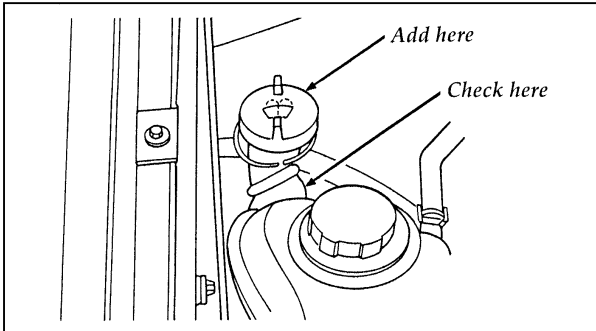


Battery recycling symbol

Windshield Washer Fluid and Wipers

Washer Fluid

Check the level of the windshield washer fluid every time you stop for fuel. The reservoir for washer fluid is located on the passenger's side of the engine compartment and is highlighted with a washer symbol.



The windshield washer fluid reservoir

⚠ WARNING

Do not put windshield washer fluid in the container for the engine coolant.

Use specially formulated windshield washer fluid rather than plain water, because specially formulated washer fluids contain additives that dissolve road grime. For safety reasons, washer fluids containing an appropriate antifreeze such as methanol should be used in freezing weather (temperatures below 32°F [0°C]). State or local regulations on Volatile Organic Compounds (VOC's) may restrict use of the most common antifreeze, methanol. Washer fluids containing non-methanol antifreeze agents should be used only if they provide cold weather protection without damaging the vehicle's paint finish, wiper blades, and windshield washer system.

⚠ WARNING

Washer solution contains methanol which is poisonous. Observe all warnings indicated on label of washer solution.

Checking the washer fluid for the liftgate (If equipped)

If your wagon has a rear window wiper, check the reservoir for its washer fluid regularly. This is not the same reservoir that your windshield wipers use. The opening for this reservoir is on the right side of the liftgate opening, below the tail lamp. Refill this reservoir with the same solution you use for your windshield. To find out how much washer fluid the reservoir holds, see *Refill Capacities* later in this chapter.

Wiper Blades

Check the windshield wiper blades at least twice a year. Also check them whenever they seem less effective than usual. Substances such as tree sap and some hot wax treatments used by commercial car washes reduce the effectiveness of wiper blades.

If the blades do not wipe properly, clean both the windshield and the wiper blades. Use undiluted windshield washer solution or a mild detergent. Rinse thoroughly with clear water. Do not use fuel, kerosene, paint thinner, or other solvents to clean your wiper blades. These will damage your blades.

To make reaching the wiper blades easy, simply turn the ignition to the ACC position and turn your wipers on. Wait for them to reach a vertical position and turn the ignition to the OFF position. Do not move the wipers manually. Manually moving the wipers across the windshield may damage them.

Wiper blade replacement

If the wiper blades still do not work properly after you clean them, you may need to replace the wiper blade assembly or the blade element. When replacing the wiper blade assembly, blade refill, or wiper arm always use a Motorcraft part or equivalent. To replace the blades, follow the instructions that come with them.

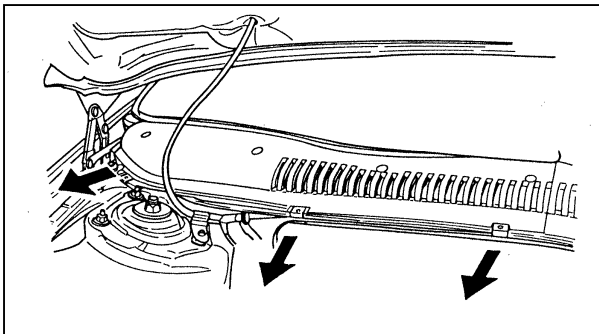
Your vehicle uses a 24" wiper on the driver side and a 20" wiper on the passenger side.

MicronAir[®] Air Filter Replacement

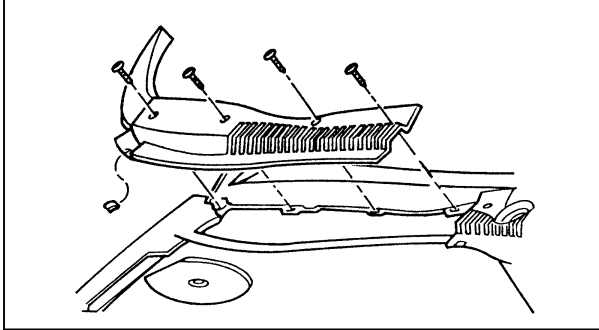
In your climate control system, you may have a filter that cleans the air before it enters the interior of the vehicle. This filter should be replaced at the intervals in the *Maintenance Schedule and Record* booklet.

To replace the MicronAir[®] air filter:

1. Open the hood. Move the vacuum hose at the rear passenger side of the engine compartment by pulling the hose clips off the leaf screen and removing the loose clip. With a coin or screwdriver, turn the four retainers on the leaf screen 90° and pull them straight out. Remove the leaf screen.

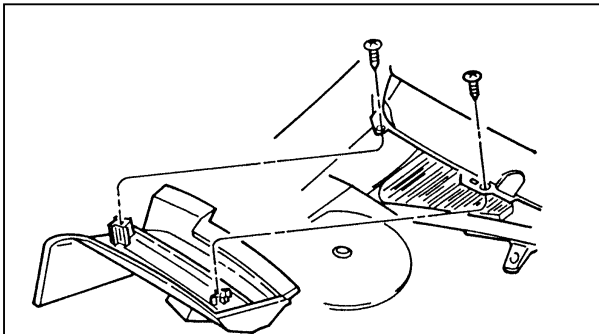


Removing the vacuum hose clips



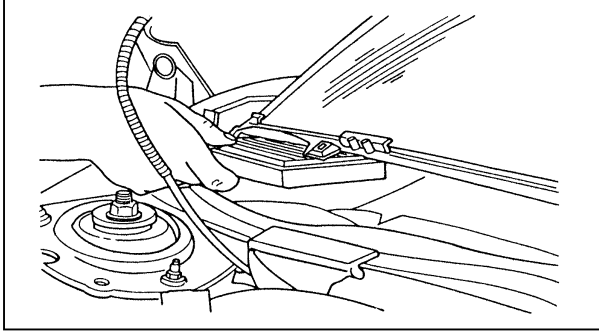
Removing the leaf screen

2. With a wrench or socket, remove the two screws that hold the water shield. Move the water shield toward the center of the vehicle until there is enough clearance to remove it.



Removing the water shield

3. Remove the old filter by sliding it forward out of the plastic tray then towards the center of the vehicle until there is enough clearance to remove it.
4. Install the new filter by compressing it and sliding it into the plastic tray. Push the left rear corner back and down to seat it in the tray. Push the other edges of the filter down to seat the filter completely.



Installing the new filter

5. Reinstall the water shield, sliding it from the center of the vehicle toward the fender. As you position it over the filter, guide the hinged flap on the left side of the shield down between the filter and the fender. Slide the shield toward the fender until the holes on the shield align with the holes on the vehicle body. Reinstall the two screws that hold the shield in place.
6. Reinstall the leaf screen. Tuck the left rear corner of the screen under the top of the fender, then lower the screen into position. Reinstall the four retainers, turning them 90° to lock them into place. Reinstall the vacuum line hose clips and the one loose clip in the notches in the leaf screen.

Tires

Look at your tires each time you fill your fuel tank. If one tire looks lower than the others, check the pressure in all of them. Always follow these precautions:

- Keep your tires inflated to the recommended pressures.
- Stay within the recommended load limits (see *Load limits* in the Index).

- Make sure the weight of your load is evenly distributed.
- Drive at safe speeds.

If you do not take these precautions, your tires may fail or go flat.

 **WARNING**

**Driving too fast for conditions creates the possibility of loss of vehicle control.
Driving at very high speeds for extended periods of time may result in damage to vehicle components.**

At least once a month, check the pressure in all your vehicle's tires, including the spare. Use an accurate tire pressure gauge. Check the tire pressure when tires are cold, after the vehicle has been parked for at least one hour or has been driven less than 3 miles (5 km). You can find the proper cold pressure and load limits of recommended size tires on the Tire Pressure Decal inside the glove compartment.

 **WARNING**

Improperly inflated tires can affect vehicle handling and can fail suddenly, possibly resulting in loss of vehicle control.

Consistent high-speed driving

Ford Motor Company recommends obeying posted speed limits.

 WARNING
<p>Driving too fast for conditions creates the possibility of loss of vehicle control. Driving at very high speeds for extended periods of time may result in damage to vehicle components.</p>

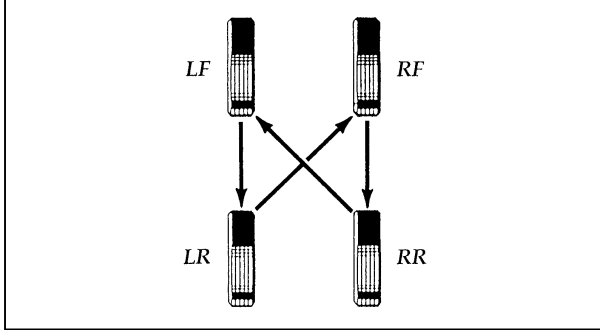
In the event of continuous operation at high speed, the cold air pressure in all tires must be increased by 4 p.s.i. (28 kpa) when compared to the inflation pressure shown on the tire decal posted in the glove compartment. Under no circumstances should you exceed maximum tire inflation pressure which is molded on the tire outer side wall.

Your vehicle has been equipped with proper speed rated tires to meet its speed capabilities. For further details, consult your Tire Warranty Booklet provided with the vehicle in the glove compartment.

Tire Rotation

Because your vehicle's front and rear tires perform different jobs, they often wear differently. To make sure your tires wear evenly and last longer, rotate them as indicated in the *Maintenance Schedule and Record* booklet.

Rotate the tires according to the following diagram. Do not include the spare tire as part of your rotation. If you notice that the tires wear unevenly, have them checked.



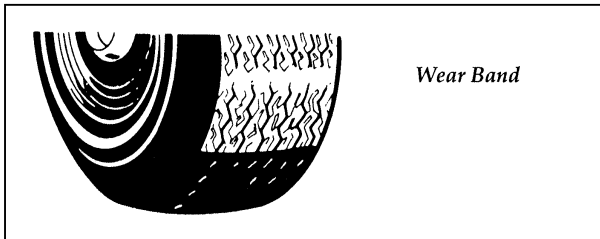
Rotating the tires

Replacing the Tires

We recommend that you use all-weather tires when you replace your tires.

SHO models must use a P225/55VR16 tire for replacement.

Replace any tires that show wear bands. When your tire shows a wear band, it has only 1/16 inch (2 mm) of tread left.



A worn-out tire

Because your vehicle's tires may wear unevenly, you may need to replace them before a wear band appears across the entire tread. Some spots wear more heavily than others.

⚠️ WARNING

When replacing full size tires, never mix radial, bias-belted, or bias-type tires. Use only the tire sizes that are listed on the tire pressure decal. Make sure that all tires are the same size, speed rating, and load-carrying capacity. Use only the tire combinations recommended on the decal. If you do not follow these precautions, your vehicle may not drive properly and safely.

Tires that are larger or smaller than your vehicle's original tires may also affect the accuracy of your speedometer.

Information About Tire Quality Grades

New vehicles are fitted with tires that have their Tire Quality Grade (described below) molded into the tire's sidewall. These Tire Quality Grades are determined by standards that the United States Department of Transportation has set.

Tire Quality Grades apply to new pneumatic tires for use on passenger cars. They do not apply to deep tread, winter-type snow tires, space-saver or temporary use spare tires, tires with nominal rim diameters of 10 to 12 inches or limited production tires as defined in Title 49 Code of Federal Regulations Part 575.104(c)(2).

U.S. Department of Transportation — Tire quality grades: The U.S. Department of Transportation requires Ford to give you the following information about tire grades exactly as the government has written it.

Treadwear

The treadwear grade is a comparative rating based on the wear rate of the tire when tested under controlled conditions on a specified government test course. For example, a tire graded 150 would wear one and one-half (1 1/2) times as well on the government course as a tire graded 100. The relative performance of tires depends upon the actual conditions of their use, however, and may depart significantly from the norm due to variations in driving habits, service practices and differences in road characteristics and climate.

Traction A B C

The traction grades, from highest to lowest, are A, B, and C, and they represent the tire's ability to stop on wet pavement as measured under controlled conditions on specified government test surfaces of asphalt and concrete. A tire marked C may have poor traction performance. Warning: The traction grade assigned to this tire is based on braking (straightahead) traction tests and does not include cornering (turning) traction.

Temperature A B C

The temperature grades are A (the highest), B, and C, representing the tire's resistance to the generation of heat and its ability to dissipate heat when tested under controlled conditions on a specified indoor laboratory test wheel. Sustained high temperature can cause the material of the tire to degenerate and reduce tire life, and excessive temperature can lead to sudden tire failure. The grade C corresponds to a level of performance which all passenger car tires must meet under the Federal Motor Vehicle Safety Standard No. 109. Grades B and A

represent higher levels of performance on the laboratory test wheel than the minimum required by law. **Warning:** The temperature grade for this tire is established for a tire that is properly inflated and not overloaded. Excessive speed, underinflation, or excessive loading, either separately or in combination, can cause heat buildup and possible tire failure.

Snow Tires and Chains

The tires on your vehicle have all-weather treads that provide traction in rain or snow. However, during the winter months in some climates, you may need to use snow tires and occasionally chains for your tires.

 WARNING
--

Snow tires must be the same size and grade as the tires you currently have on your vehicle.
--

Use chains on the tires only in an emergency or if the law requires them where you live. If you choose to use chains on your vehicle's tires, be aware of the following:

- Tire chains may scratch or chip aluminum wheels. **IT IS RECOMMENDED THAT TIRE CHAINS ARE INSTALLED ON STEEL WHEELS ONLY.** Be sure to remove wheel covers (if equipped) from steel rims before using tire chains to avoid scratches or damage.
- Do not use tire chains if your vehicle is equipped with P225/55VR16 tires (SHO only).
- Local regulations may prohibit or restrict the use of tire chains. Investigate the laws and regulations in your area before installing chains.

- Put the chains on the front tires tightly with the ends held down securely. Retighten the chains after driving 1/2 mile (1 km). Follow the chain manufacturer's instructions.
- Do not drive faster than 30 mph (50 km/h) or the chain manufacturer's recommended speed limit, whichever is lower. Avoid bumps, holes and sharp turns. If you can hear the chains rub or bang against your vehicle, remove the chains to prevent damage to your vehicle.
- Tire chains may affect vehicle handling. Drive carefully and avoid hard braking.
- Do not use chains on temporary spare tires. They may damage the vehicle and the tire.
- Remove tire chains at the first opportunity after using them on snow and ice. Do not use the chains on dry roads.

Cleaning the Wheels

Wash the wheels with the same detergent you use to wash your vehicle's body. Do not use acid-based wheel cleaners, steel wool, abrasives, fuel, or strong detergents. These substances will damage protective coatings. Use tar and road oil remover to remove grease and tar.

NOTE: Before going to a car wash, find out if the brushes are abrasive.

Air Filter

To replace the engine air filter, unclip the two latches, separate the housing and remove the old filter. Wipe the interior of the housing clean before inserting the new filter. Lock the two latches.

NOTE: Do not use oil-impregnated air filters. Filters other than the ones specified in this Owner Guide can cause engine damage. Your warranties may not apply if your vehicle is damaged because you used the wrong air filter. See *Motorcraft parts* in the Index.

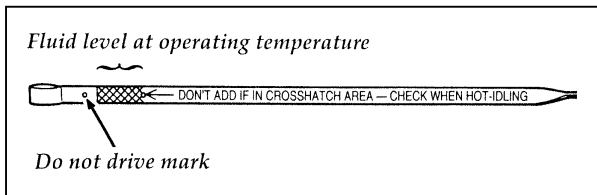
Automatic Transaxle Fluid

Under normal circumstances, you do not need to check the fluid level of the transaxle, since your vehicle does not use up transaxle fluid. Refer to the *Maintenance Schedule and Record* booklet for replacement intervals. However, if the transaxle is not working properly — for instance, the transaxle may slip or shift slowly, or you may notice some sign of fluid leakage — the fluid level should be checked.

Checking the Automatic Transaxle Fluid

With the vehicle on a level surface and the brake pedal fully applied, start the engine and move the gearshift selector through all of the gears. Allow sufficient time for each position to engage. Securely latch the gearshift selector in the P (Park) position. Fully set the parking brake and leave the engine running.

Wipe off the dipstick cap and pull the dipstick out. Wipe the indicator end clean. Put the dipstick back into the filler tube and make sure it is fully seated. Pull the dipstick out and read the fluid level.



Automatic overdrive transaxle fluid dipstick

NOTE: Your vehicle should not be driven until some fluid has been added if the fluid level is below the bottom hole on the dipstick and the outside temperature is above 50°F (10°C). Add only enough fluid to bring the level above the bottom hole.

If the vehicle has not been driven and the fluid level is above the bottom hole on the dipstick, do not add fluid. Recheck the fluid level after your vehicle has reached normal operating temperature.

Normal operating temperature is reached after driving approximately 20 miles (30 km). The fluid level should be within the crosshatched area on the dipstick.

NOTE: If the vehicle has been operated for an extended period at high speeds, driven in city traffic during hot weather, or has been pulling a trailer, the vehicle should be turned off for about 30 minutes to allow the fluid to cool before checking.

Adding Automatic Transaxle Fluid

Before adding any fluid, be sure that the correct type will be used. Correct type is shown on the dipstick.

Add fluid in 1/2 pint (.25L) increments through the filler tube to bring the level within the crosshatched area on the dipstick. If the level is above the top hole on the dipstick, excess fluid should be removed by a qualified technician.

NOTE: Always dispose of used automotive fluids in a responsible manner. Follow your community's standards for disposing of these types of fluids. Call your local recycling center to find out about recycling automotive fluids.

Brake Fluid

Under normal circumstances, your vehicle should not use up brake fluid rapidly. However, expect the level of the brake fluid to slowly fall as you put more mileage on your vehicle and the brake lining wears.

You should check the brake fluid at every scheduled engine oil change, but be sure to check it at least once a year. You can do this by looking at the fluid level in the plastic reservoir on the master cylinder. (See *The Engine Types* in this chapter to locate the master cylinder.) The fluid level should be at or near the MAX mark.

 **WARNING**

Brake fluid is toxic.

If brake fluid contacts eyes, flush eyes with running water for 15 minutes. Get medical attention if irritation persists. If taken internally, drink water and induce vomiting. Get medical attention immediately.

If the fluid is low, carefully clean and remove the cap from the reservoir. Fill the reservoir to the MAX line with Ford High Performance DOT 3 Brake Fluid C6AZ-19542-AB or equivalent DOT 3 fluid meeting Ford specification ESA-M6C25-A.

⚠ WARNING

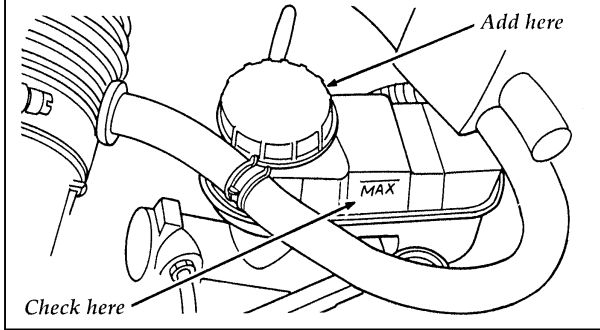
If you use a brake fluid that is not DOT 3, you will cause permanent damage to your brakes.

Do not fill the reservoir above the MAX line.

If you find that the fluid level is excessively low — below the seam or ridge on the outside of the plastic reservoir — have the brake system inspected.

⚠ WARNING

Do not let the reservoir for the master cylinder run dry. This may cause the brakes to fail.



The brake fluid reservoir

Power Steering Fluid

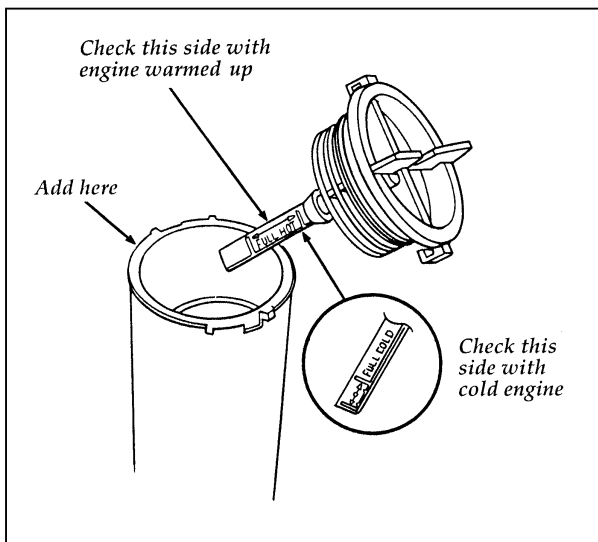
Check the level of the power steering fluid at least twice a year (i.e., every Spring and Fall).

Checking and Adding Power Steering Fluid

1. Start the engine and let it run until the power steering fluid reaches normal operating temperature. The power steering fluid will be at the right temperature when the engine coolant temperature gauge in the instrument cluster is near the center of the NORMAL operating temperature range.
2. While the engine idles, turn the steering wheel back and forth several times. Make sure that the cap assembly is installed at this time.
3. Turn the engine off.

3.0L Vulcan engine:

4. Check the fluid level on the dipstick (which is highlighted in yellow in your vehicle). The fluid level should be between the arrows in the FULL HOT range, which is marked on the side of the dipstick, opposite the side marked FULL COLD. Do not add fluid if the level is within the FULL HOT range.
5. If the power steering fluid is low, add fluid in small amounts, continuously checking the level, until you reach the FULL HOT range. Do not overfill.

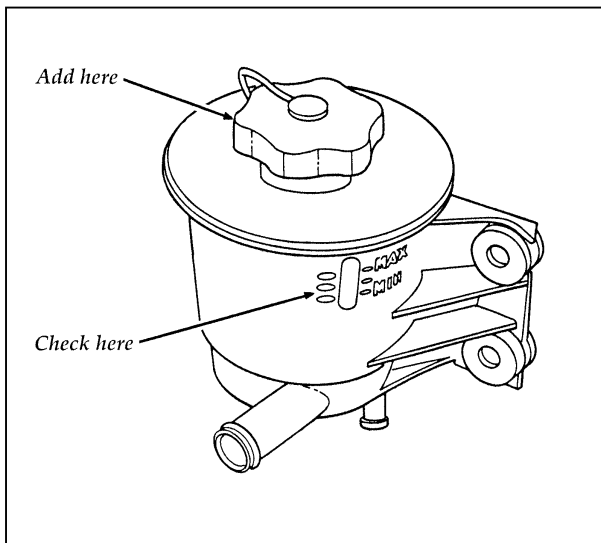


Dipstick for power steering fluid (3.0L Vulcan)

6. When you are finished, put the dipstick back in and make sure that it fits snugly.

3.0L Duratec and 3.4L SHO:

4. Check the fluid level in the power steering fluid reservoir. The fluid level should be between the MIN and MAX lines on the side of the reservoir.
5. If the power steering fluid is below the MIN mark, add fluid in small amounts until the level is between the MIN and MAX lines on the side of the reservoir.



Reservoir for power steering fluid (3.0L Duratec and 3.4L SHO)

Use only Mercon® ATF power steering fluid.

If the power steering fluid is low, do not drive your vehicle for a long period of time before adding fluid. This can damage the power steering pump.

If you check the power steering fluid when it is cold, make sure that the fluid reaches the FULL COLD range on the dipstick (3.0L Vulcan) or MIN on the reservoir (3.0L Duratec or 3.4L SHO). The reading will only be accurate if the fluid temperature is approximately 50 to 85°F (10 to 30°C).

Fuses and Relays

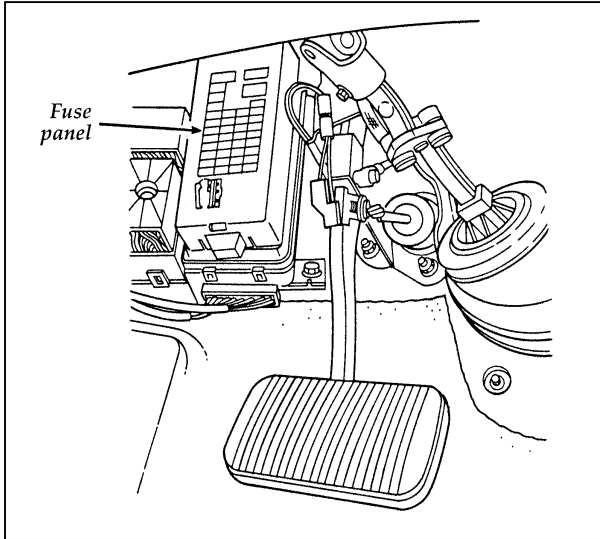
Fuses (conventional and high current) and relays protect your vehicle's wiring system from overloading. If electrical parts in your vehicle are not working, the system may have been overloaded and blown a fuse. Before you replace or repair any electrical parts, check the appropriate circuit protector. High current fuses should only be repaired or replaced by your Ford or Lincoln-Mercury dealer.

The following charts tell you which circuit protector protects each electrical part of your vehicle. If a fuse blows, all the parts of your vehicle that use the circuit will not work.

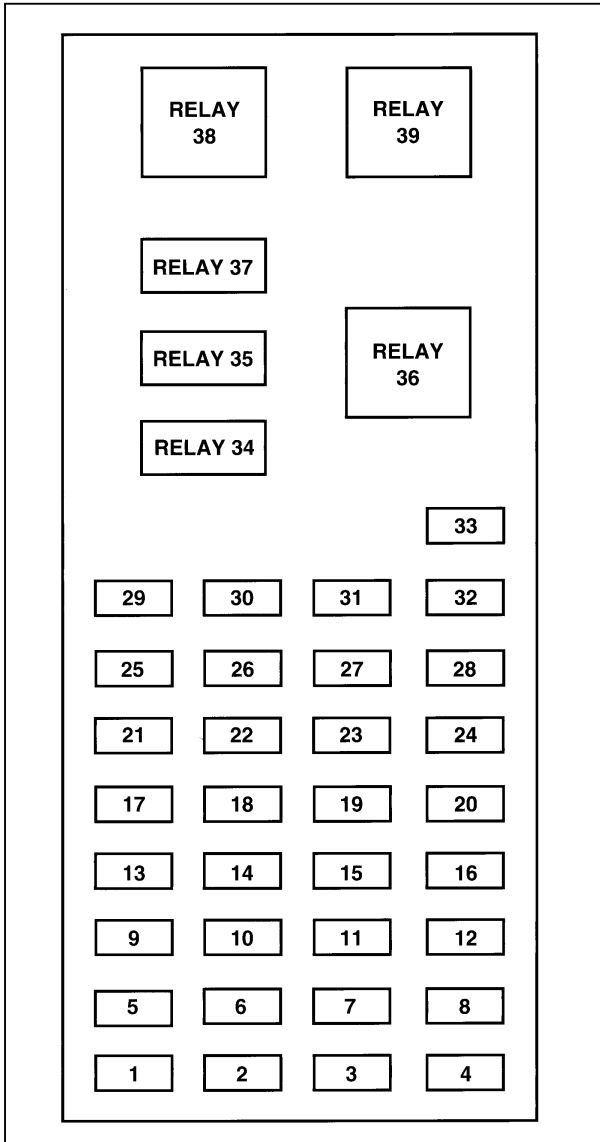
Once you have determined which fuses to check, follow the procedures under *Checking and replacing fuses* later in this chapter.

 WARNING
Always remove the key from the ignition before working on or replacing fuses.

The instrument panel fuses and relays



The instrument panel fuse panel location



The instrument panel fuse cover

Fuse/Relay Location	Fuse Amp Rating	Description
1	—	Not used
2	5	• Instrument illumination
3	10	• Left low beam headlamp
4	10	• Right low beam headlamp
5	5	• Brake shift interlock • Rear defroster
6	15	• MLPS switch • Backup lamps • Speed control • Climate control
7	10	• MLPS switch • Starter relay
8	5	• Power antenna • RCU • GEM
9	10A	• ABS • Central temperature monitor
10	20	• EEC relay • Ignition coil • PATS • Radio
11	5	• Air bag • Instrument cluster
12	5	• Instrument cluster • Autolamps • Transmission control switch • ICP • GEM
13	5	• Air bag • Blower motor • EATC
14	5	• Air suspension • LOM
15	10	• Multi-function switch (Turn signal)
16	—	Not used
17	30	• Front wiper/washer
18	5	• Headlamp switch

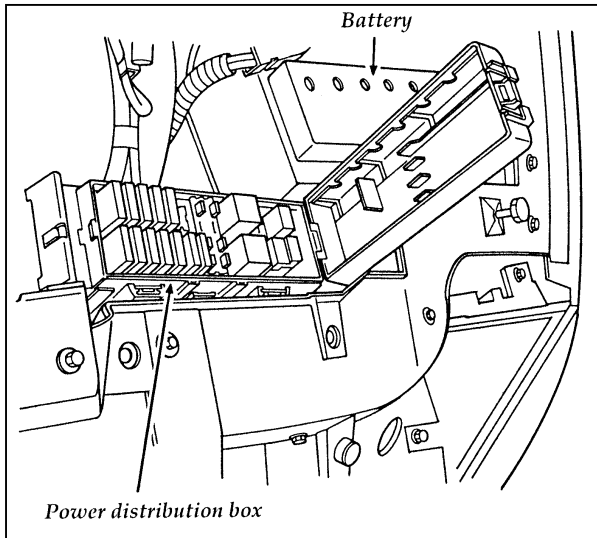
Fuse/Relay Location	Fuse Amp Rating	Description
19	15	• Rear wiper/washer
20	5	• ICP • Remote entry • Cellular phone
21	20	• Cigar lighter
22	5	• Power mirrors • Antenna • Decklid lamps • Autolamp
23	5	• GEM • RAP • PATS
24	5	• ICP • RCC • Speedometer
25	10	• Data link connector
26	15	• Trunklid
27	10	• Battery saver relay
28	15	• Speed control • Stop lamps
29	15	• Multi-function switch • Hazard
30	15	• High beams • Daytime running lamps • Instrument cluster
31	5	• Tail lamp feed
32	5	• ICP • Heated mirrors
33	5	• Power windows • Lock illumination
34		• Battery saver relay
35		• Driver's unlock relay
36		• Rear defrost relay
36		• Rear defrost relay
37		• Interior lamp relay
38		• One touch window down relay
39		• Accessory delay relay

The power distribution box fuses and relays

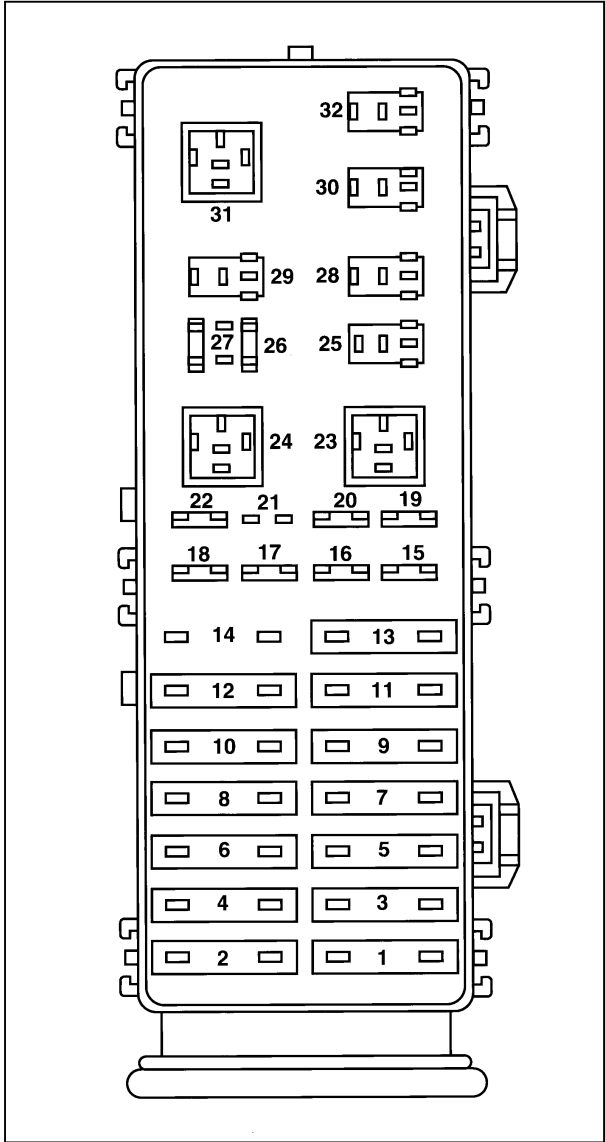
Ford recommends that high current fuses be replaced by a qualified technician.

⚠ WARNING

Always disconnect the battery before servicing high current fuses.



The power distribution box location



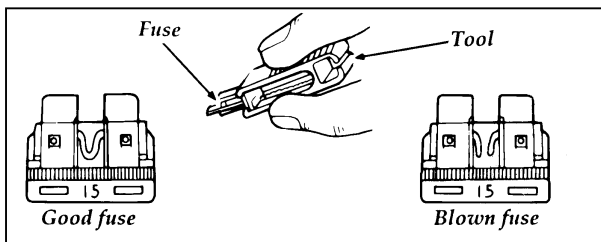
The power distribution box

Fuse/Relay Location	Fuse Amp Rating	Description
1	40A	• Junction block
2	30A	• EEC power
3	40A	• Ignition
4	30A	• Power locks
5	40A	• Ignition
6	30A	• Power seats
7	40A	• Rear window defrost
8	30A	• Thermactor pump
9	40A	• Cooling fan
10	20A	• Fuel pump
11	40A	• Blower motor
12	20A	• Semi-active suspension
13	40A	• ABS module
14	20A	• Radio
15	15A	• Datime running lamps
16	10A	• Air bag
17	20A	• Radio
18	30A	• Headlamps
19	15A	• Horn
20	15A	• Park lamps
21	Not used	
22	30A	• Headlamps
23	—	• Blower motor relay
24	—	• Wiper park relay
25	—	• Wiper hi/lo relay
26	30A	• Alternator
27	10A	• Hego power
28	—	• Washer motor relay
29	—	• Horn relay
30	—	• Autolamp headlamp relay
31	—	• Starter relay
32	—	• Autolamp park relay

Checking and Replacing Fuses

If you need to check a fuse, follow these steps:

1. Lift the handle of the fuse panel or power distribution box to unlatch the cover.
2. On the cover, find the fuse you want to check. The diagram on the cover tells you where to locate the fuse on the panel.
3. Check the fuse to see if it is blown. To remove the fuse, use the pulling tool attached to the inside cover of the fuse panel. Look through the clear side of the fuse to see if the metal wire inside is separated. If it is, the fuse should be replaced.




Fuse puller tool and fuse

4. Replace the fuse with one that has the right amperage rating. (See the following chart.)

Instrument Panel Fuse Color	Amperage
Tan	5A
Red	10A
Blue	15A
Yellow	20A
Green	30A

Power Distribution Box	
High-Current Fuse Color	Amperage
Yellow	20A
Green	30A
Orange	40A
Red	50A
Blue	60A
Mini-Fuse Color	Amperage
Red	10A
Blue	15A
Yellow	20A
Green	30A

 WARNING
Always replace a fuse with one that has the specified amperage rating. Using a fuse with a higher amperage rating can cause severe wire damage and could start a fire.

5. Put the cover back on.

Even after you replace a fuse, it will continue to blow if you do not find what caused the overload. If the fuse continues to blow, have your electrical system checked.

The Lights

It is a good idea to check the operation of the following lights frequently:

- headlamps
- tail lamps
- brakelamps
- high-mount brakelamp

- hazard flasher
- turn signals
- side markers
- license plate lamp

The alignment of your headlamps should be checked if:

- oncoming motorists frequently signal you to turn off your vehicle's high beams when you do not have the high beams on
- the headlamps do not seem to give you enough light to see clearly at night
- the headlamps are not aligned so that they point slightly down and to the right.

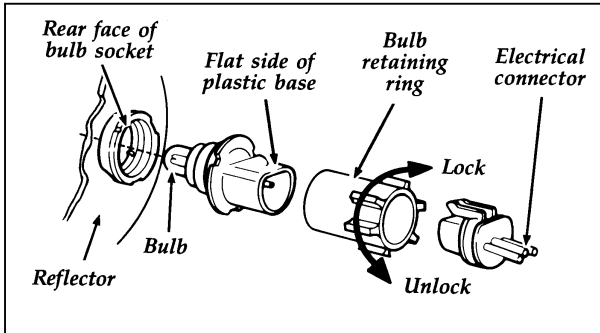
Replacing the Headlamp Bulb

The headlamps on your vehicle use replaceable bulbs. When the lamp burns out, simply replace the bulb, rather than the whole lamp.

 WARNING
--

<p>Handle a halogen headlamp bulb carefully and keep out of children's reach. Grasp the bulb only by its plastic base and do not touch the glass. The oil from your hand could cause the bulb to break the next time the headlamps are operated.</p>

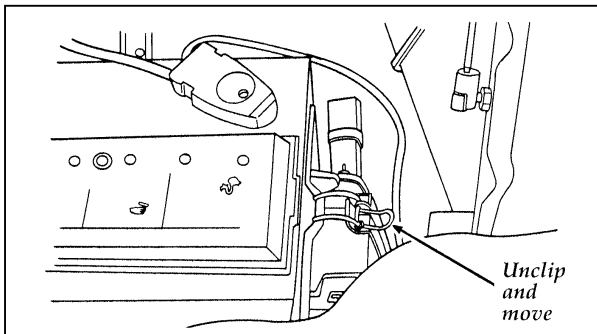
Do not remove the burned-out bulb unless you can immediately replace it with a new one. If a bulb is removed for an extended period of time, contaminants may enter the headlamp housing and affect its performance.



Parts of a headlamp

To remove the headlamp bulb:

1. Make sure that the headlamp knob is in the OFF position.
2. Lift the hood. If you are replacing the driver's side headlamp, unclip the electronic module on the right side of the battery and move it out of the way. Find the bulb in the headlamp socket.



The module behind the driver's side headlamp

3. Remove the electrical connector from the bulb by pulling the connector.

4. Remove the bulb retaining ring by rotating it counterclockwise (when viewed from the rear) about an eighth of a turn to free it from the bulb socket, and by sliding the ring off the plastic base. Keep the ring. It is to be used again to retain the new bulb.
5. Carefully remove the bulb from its socket by gently pulling it straight back out of the socket. Do not turn the bulb while you remove it.

To install a bulb:

1. With the flat side of the bulb's plastic base facing upward, insert the glass end of the bulb into the socket. You may need to turn the bulb left or right to line up the grooves in the plastic base with the tabs in the socket. When the grooves are aligned, push the bulb into the socket until the plastic base contacts the rear of the socket.
2. Slip the bulb retaining ring over the plastic base until it contacts the rear of the socket. Lock the ring into the socket by rotating it clockwise until you feel a "stop."
3. Push the electrical connector into the rear of the plastic base until it snaps, locking it into position.
4. Turn the headlamps on and make sure that they work properly. If the headlamp was correctly aligned before you changed the bulb, you should not need to align it again.

Aiming Headlamps

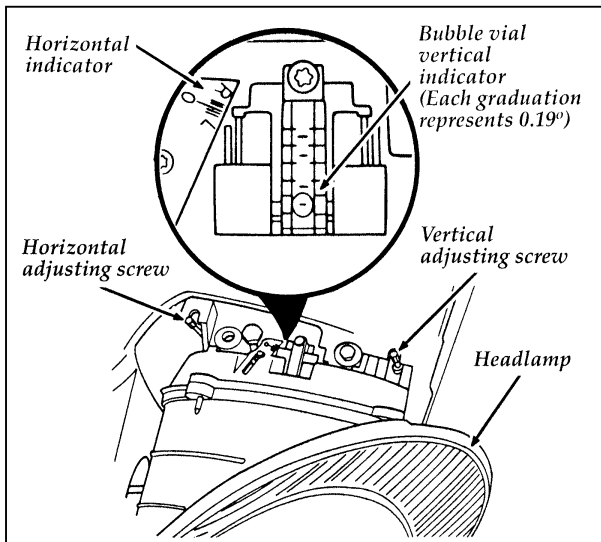
Your vehicle is equipped with a Vehicle Headlamp Aim Device (VHAD) on the headlamp reflector extension and headlamp housing. Each headlamp may be properly aimed in the horizontal direction (left/right) and the vertical direction (up/down) by performing the steps outlined in the following paragraphs. The horizontal aim must be adjusted first.

Tools required: One 4mm box wrench or open end wrench.

Position the vehicle on a surface that is level on the front-to-rear direction.

If the vehicle cannot be placed on a true level surface, the headlamps still can be adjusted using the VHAD if the slope of the surface is accurately known and does not differ by more than 1.2° from true level. A difference of 2.27 inches in height of the surface between the front and rear wheels corresponds to 1.2° slope.

If the vertical adjuster is within ± 4 graduations about zero, the vertical headlamp aim is within specification; and if the horizontal adjuster is within ± 2 graduations about zero, the horizontal headlamp aim is within specification.



Horizontal aim adjustment

1. Open the hood and locate the horizontal indicator and adjusting screw.
2. Use a 4mm wrench to turn the horizontal adjusting screw until the reference mark on the reflector extension aligns with the "0" reference mark on the horizontal indicator when viewed from directly above. If the vehicle has been in an accident requiring the front end of the vehicle to be repaired, the horizontal indicator should be recalibrated by a servicing facility using the *Taurus/Sable Service Manual* instructions.

Vertical aim adjustment

1. With the hood open, locate the bubble level vertical aim indicator. It is visible when viewed from above and to the rear of the headlamp.
2. With the vehicle on a level surface, use a 4mm wrench to turn the vertical aim adjustment screw (outboard screw) located on the back of the lamp assembly clockwise or counterclockwise until the bubble in the spirit level is centered when viewed from directly above the bubble.
3. Close the hood.

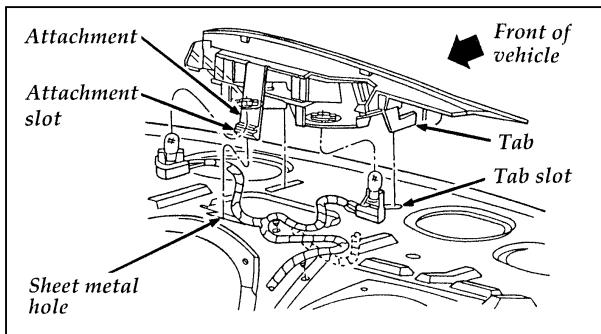
If the vehicle is on a downward or upward slope of not more than 1.2° , the VHAD's bubble level can be used to correct for the effects of the surface slope, provided that the slope is accurately known.

Each graduation of the bubble level represents 0.19° of downward or upward slope. To correct for the effects of a surface slope, turn the vertical aim adjustment screw until the bubble is centered at a position corresponding to the slope of the surface.

Each 0.1 inch difference in surface height between the front and the rear wheels corresponds to 0.053° of surface slope; each 0.19° of surface slope corresponds to 0.36 inches difference in surface height between the front and rear wheels.

Replacing the High-Mount Brakelamp Bulb

If you have the sedan, your vehicle has a brakelamp mounted in the rear window, called a high-mount brakelamp. The wagon has a high-mount brakelamp on the outside. You may need to remove this lamp to replace the brakelamp bulb.



Parts of the high-mount brakelamp (sedan)

Sedan

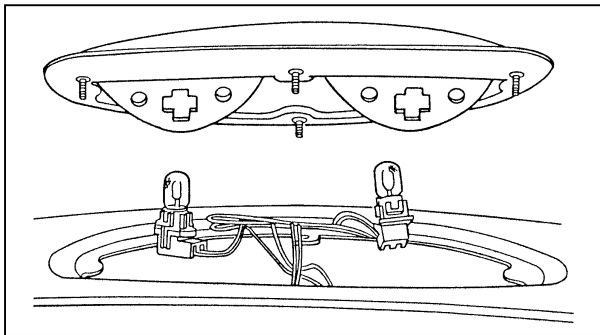
To remove the brakelamp:

1. Remove the package tray trim.
2. Push the attachment toward the rear window.
3. Slide the brakelamp up and away from the rear window to remove it from the tabs that hold it down.
4. Disconnect the bulbs.

To install the brakelamp:

1. Install the bulbs.
2. Position the brakelamp over the tab slots and line up the tabs with the tab slots.
3. Push down and toward the rear window to engage the tabs.
4. Push attachment toward the rear window and line up the slot in the attachment with the edge of the sheet metal hole.
5. Release the attachment slot onto the sheet metal hole.
6. Replace the package tray trim.

Wagon



Parts of the high-mount brakelamp (wagon)

To remove the brakelamp:

1. Remove the interior trim panel.
2. Remove the four attachment nuts that hold the brakelamp in place.
3. Lift the whole assembly off of the vehicle from the outside.
4. Disconnect the bulbs.

To install the brakelamp:

1. Install the bulbs.
2. Position the brakelamp into the tailgate holes.
3. From the inside of the vehicle, install and tighten the four nuts that hold the brakelamp in place.
4. Install the interior trim panel.

Using the right bulbs

Function	Trade number
Exterior lights	
Front side marker lamp	194
Front park, turn lamp	3457NA*
Headlamp	9007
Tail lamp, brakelamp	3157
Turn lamp	3156
Backup lamp	3156
License plate lamp	168
High-mount brakelamp	912
Rear side marker lamp	168
Interior lights	
Cargo lamp (wagon)	211-2
Dome lamp	211-2
Dome/map lamp	578
Dome lamp/moon roof	208
Visor vanity map (passenger/driver)	74-194
Door courtesy lamp	168
Floor console	194
Luggage compartment lamp	906
Instrument panel lights	
Glove compartment	194
Instrument courtesy lamps	168
I/P ashtray lamp	194
Radio illumination	•
Clock	**
Warning indicator lights (except THEFT)	37
THEFT warning	**
Cluster illumination	194
Heater-A/C	161
Automatic climate control	37
Rear window defrost switch	**
Rear window wiper/washer switch (wagon)	**

• Refer bulb replacement to a Ford authorized radio service center.

*NA means Natural Amber.

**Refer bulb replacement to a Ford authorized dealer.

Emission Control System

Your vehicle is equipped with catalytic converters which enable your vehicle to comply with applicable exhaust emission requirements.

WARNING

Exhaust leaks may result in the entry of harmful and potentially lethal fumes into the passenger compartment. Under extreme conditions excessive exhaust temperatures could damage the fuel system, the interior floor covering, or other vehicle components, possibly causing a fire.

To make sure that the catalytic converter and the other emission control parts continue to work properly:

- Use only unleaded fuel.
- Avoid running out of fuel.
- Do not turn off the ignition while your vehicle is moving, especially at high speeds.
- Have the services listed in your *Maintenance Schedule and Record* booklet performed according to the specified schedule.

The Scheduled Maintenance Services listed in the *Maintenance Schedule and Record* booklet are required because they are considered essential to the life and performance of your vehicle and to its emissions system.

Ford strongly recommends the use of genuine Ford replacement parts. If other than Ford or Motorcraft parts or Ford authorized remanufactured parts are used for maintenance replacements or for the service of components affecting emission control, such non-Ford parts

should be equivalent to genuine Ford Motor Company parts in performance and durability. It is the owner's responsibility to determine the equivalency of such parts. Please consult your warranty booklet for complete warranty information.

 **WARNING**

Do not park, idle, or drive your vehicle in dry grass or other dry ground cover. The emission system heats up the engine compartment and exhaust system, which can start a fire.

Watch for fluid leaks, strange odors, smoke, loss of oil pressure, the charging system warning light, the service engine soon light, or the temperature warning light. These sometimes indicate that the emissions system is not working properly.

Do not make any unauthorized changes to your vehicle or engine. Changes that cause more unburned fuel to reach the exhaust system can increase the temperature of the engine or exhaust system.

By law, anyone who manufactures, repairs, services, sells, leases, trades vehicles, or supervises a fleet of vehicles is not permitted to intentionally remove an emission control device or prevent it from working. In some of the United States and in Canada, vehicle owners may be liable if their emission control device is removed or is prevented from working.

Never use a metal exhaust collector when you service your vehicle. If the metal collector contacts any of your vehicle's plastic trim or bumper parts they could melt or deform.

Do not drive your vehicle if it does not operate properly. See your dealer if the engine runs on for more than five seconds after you shut it off or if it misfires, surges, stalls, or backfires.

Information about your vehicle's emission control system is on the Vehicle Emission Control Information decal located on or near the engine. This decal identifies engine displacement and gives some tune-up specifications.

Readiness for Inspection/Maintenance Testing

In some localities it may become a legal requirement to pass an Inspection/Maintenance (I/M) test of the On-Board Diagnostic (OBD) II system. If the vehicle's powertrain system or its battery has just been serviced, the OBD II system is reset to a not ready for I/M testing condition. To prepare for I/M testing, the law specifies a "need for additional mixed city and highway driving to complete the check" of the OBD II system. As soon as all of the OBD II system checks are successfully completed, the OBD II system is set to the ready condition. The amount of driving required to reach the ready condition varies with individual driving patterns. To complete this requirement in the minimum amount of time, refer to the OBD II Drive Cycle defined below. If the vehicle owner cannot or does not want to do the additional driving required by law, a service center can perform this drive cycle as it would any other type of repair work.

OBD II Drive Cycle

The following steps must be run in the order shown. If any steps are interrupted, repeat the preceding step. Any safe driving mode is acceptable between steps.

Always drive vehicle in safe manner according to traffic conditions and obey all traffic laws.

The engine must be warmed up and at operating temperature before proceeding with the drive modes of the following OBD II Drive Cycle.

1. Start the engine. Drive or idle (in neutral) the vehicle for 4 minutes.
2. Idle the vehicle in drive for 40 seconds.
3. Accelerate the vehicle to 45 mph (70 km/h) at 1/4 to 1/2 throttle for 10 seconds.
4. Drive the vehicle with a steady throttle at 45 mph (70 km/h) for 30 seconds.
5. Idle the vehicle in drive for 40 seconds.
6. Continue to drive the vehicle in city traffic at speeds between 25 and 40 mph (40-60 km/h) for 15 minutes. During the 15 minute drive cycle the following modes must be achieved:
 - a. at least 5 stop and idle modes at 10 seconds each
 - b. acceleration from idles at 1/4 to 1/2 throttle position, and
 - c. choose 3 different speeds to do 1.5 minute steady state throttle drives.

7. Accelerate the vehicle up to between 45 and 60 mph (70-100 km/h). This should take approximately 5 minutes.
8. Drive vehicle and hold the throttle steady at the selected speed between 45 and 60 mph (70-100 km/h) for approximately 5 minutes.
9. Drive the vehicle for 5 minutes at varying speeds between 45 and 60 mph (70-100 km/h).
10. Bring the vehicle back to idle. Idle in Drive for 40 seconds.
11. OBD II drive cycle has been completed. Vehicle can be turned off when convenient.

Refill Capacities, Motorcraft Parts, and Lubricant Specifications

Refill Capacities

Component	U.S.	Metric
Cooling system (including heater)		
3.0L Vulcan engine	11.6 qts.	11.0 liters
3.0L Duratec engine	10.6 qts.	10.0 liters
3.4L SHO engine	10.6 qts.	10.0 liters
Engine oil (with filter change)		
3.0L V-6 Vulcan engine	4.5 qts.	4.25 liters
3.0L Duratec engine	5.5 qts.	5.2 liters
3.4L SHO engine	6.5 qts.	6.1 liters
Fuel tank		
Standard	16.0 gals.	60.6 liters
SHO models	18.0 gals.	68.2 liters
Power steering	.85 qt.	.80 liters
Transaxle		
AX4S*	12.2 qts.	11.6 liters
AX4N**		
3.0L V-6 Vulcan	13.5 qts.	12.8 liters
3.0L Duratec	13.4 qts.	12.7 liters
3.4L SHO	13.4 qts.	12.7 liters
Washer reservoir		
Windshield	90 oz.	2.7 liters
Wagon rear window	70 oz.	2.1 liters

* Door ID code is L

** Door ID code is X

Motorcraft Parts

Component	Part Number		
	3.0L V-6 Vulcan Engine	3.0L Duratec Engine	3.4L SHO Engine
Air filter	FA-1630	FA-1630	FA-1630
Battery Standard Optional	BX-58R BXT-36R	BXT-36R —	BX-34-650 —
Fuel filter	FG-800-A	FG-800-A	FG-800-A
Micron Air® filter	FA1628	FA1628	FA1628
Oil filter	FL-400A	FL-820	FL-400A
PCV valve	EV-228	EV-152	EV-234
Spark plug*	AWSF-32PP**	AWSF-32F	AWSF-32FM
<p>*Refer to Vehicle Emission Control Information (VECI) decal for spark plug and gap specifications.</p> <p>**If a spark plug is removed for examination, it must be reinstalled in the same cylinder. Cylinders #1, #2, #3 have a PG suffix and cylinders #4, #5, and #6 have a P suffix. If a spark plug needs to be replaced, use only spark plugs with the service part number suffix letter "PP" as shown on the engine decal.</p>			

Lubricant Specifications

ITEM	FORD PART NO.	PART NAME	FORD SPECIFICATION
Brake Master Cylinder	C6AZ-19542-AB	Ford High Performance DOT 3 Brake Fluid	ESA-M6C25-A
Door Latch, Hood Latch, Auxiliary Latch, Trunk and Liftgate Latches	D0AZ-19584-AA	Multi-Purpose Grease	ESR-M1C159-A ESA-M1C93-A
Lock Cylinders	E8AZ-19A501-B	Penetrating Lubricant	N/A
Transaxle, Automatic	XT-2-QDX	Motorcraft MERCON® ATF	MERCON®
Engine Oil (Gasoline Engines)	XO-5W30-QSP	Motorcraft 5W30 Super Premium	WSS-M2C153-F and API Certification Mark
Constant Velocity Joints Outboard and Inboard	E43Z-19590-A	CV Joint Grease — High Temp.	ESP-M1C207-A
Engine Coolant	E2FZ-19549-AA	Ford Premium Cooling System Fluid	ESE-M97B44-A
Power Steering Pump Reservoir	XT-2-QDX	Motorcraft MERCON® ATF	MERCON®

NOTE: Door hinges, door checks and hood hinges require *NO* lubrication. Door check straps should be cleaned with a clean, dry cloth.

Vehicle Storage

Maintenance Tips

If you plan on storing your vehicle for an extended period of time (60 days or more), refer to the following maintenance recommendations to ensure your vehicle stays in good operating condition.

General

- Store all vehicles in a dry, ventilated place.
- Protect from sunlight, if possible.
- If vehicles are stored outside, they require regular maintenance to protect against rust and damage.

Body

- Wash vehicle thoroughly to remove dirt, grease, oil, tar or mud from exterior surfaces, rear wheel housing and underside of front fenders.
- Periodically wash vehicles stored in exposed locations.
- Touch-up raw or primed metal to prevent rust.
- Cover chrome and stainless steel parts with a thick coat of auto wax to prevent discoloration. Re-wax as necessary when the vehicle is washed.
- Lubricate all hood, door and trunk latches with a light grade oil.

- Lubricate trunk lid or wagon liftgate hinges with a light grade oil. (Do not lubricate hood and door hinges.)
- Cover interior soft trim to prevent fading.
- Keep all rubber parts free from oil and solvents.

Engine

- Start engine every 15 days. Run at fast idle until it reaches normal operating temperature.
- With your foot on the brake, shift through all the gears while the engine is running.

Fuel system

- Fill fuel tank with high-quality unleaded fuel until the first automatic shutoff of the fuel pump nozzle.

NOTE: During extended periods of vehicle storage (60 days or more), fuel may deteriorate due to oxidation. This can damage rubber and other polymers in the fuel system and may also clog small orifices.

Ford Gas Stabilizer should be added whenever actual or expected storage periods exceed 60 days. Follow the instructions on the label. The vehicle should then be operated at idle speed to circulate the additive throughout the fuel system.

A volatile corrosion inhibitor added to the fuel system will protect the fuel system's inner surfaces from corrosion. Follow the instructions packaged with the product.

Cooling system

- Protect against freezing temperatures.

Battery

- Check and recharge as necessary.
- Keep connections clean and covered with a light coat of grease.
- If storing your vehicle for more than 30 days without recharging the battery, disconnect the battery cables to ensure battery charge is maintained for quick starting. NOTE: If battery cables are disconnected, it will be necessary to reset any memory features (eg. radio presets).

Brakes

- Make sure brakes and parking brake are fully released.

Tires

- Maintain recommended air pressure.

Miscellaneous

- Make sure all linkages, cables, levers and clevis pins under vehicle are covered with grease to prevent rust.
- Move vehicles at least 25 feet (10 m) every 15 days to lubricate working parts to prevent corrosion.

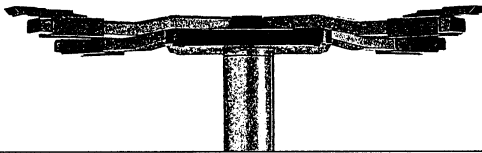
**YOU FOUND
THE RIGHT PLACE.**



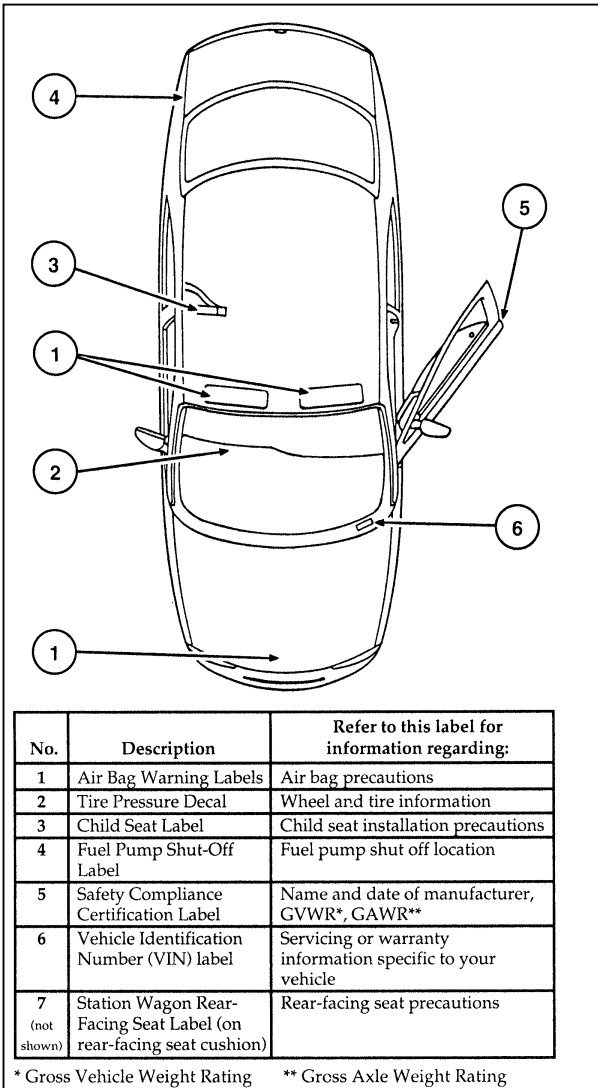
**Quality Care is more
than automotive service.**

**It's our goal to make you so
happy with your vehicle
and our service, you'll want
to come back. For service.
And your next vehicle.**

**Quality Care.
It's at your dealer.**

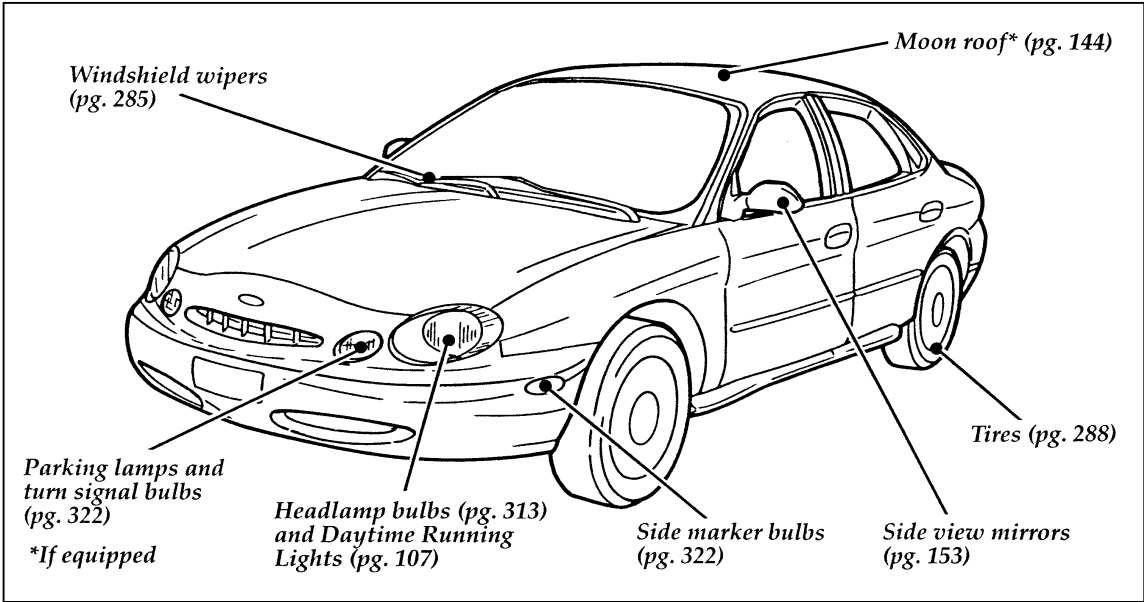


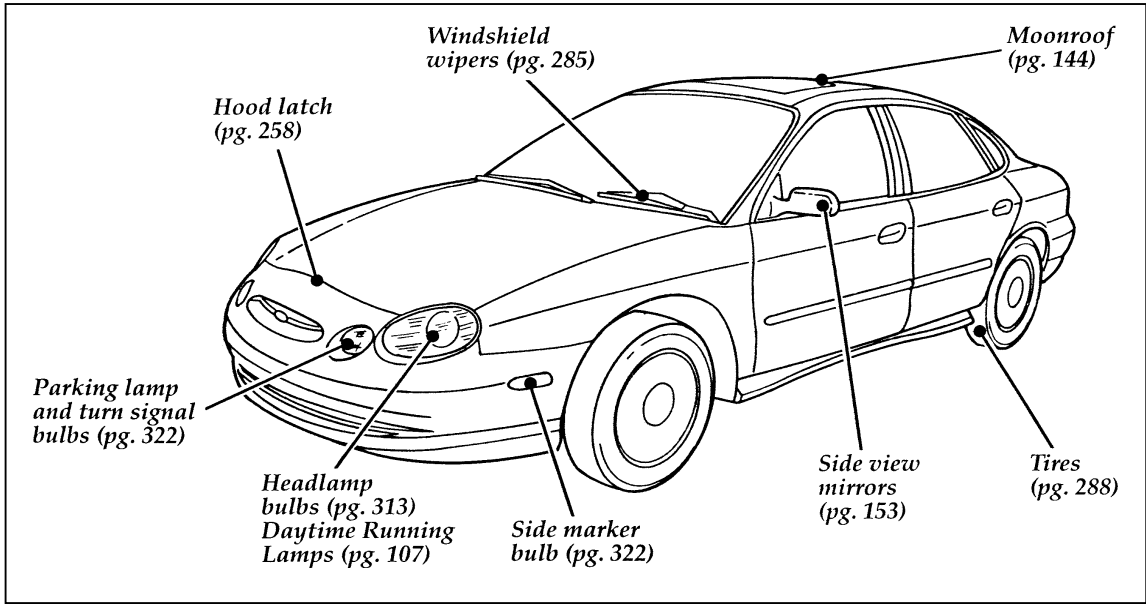
© 1995 Ford Motor Company

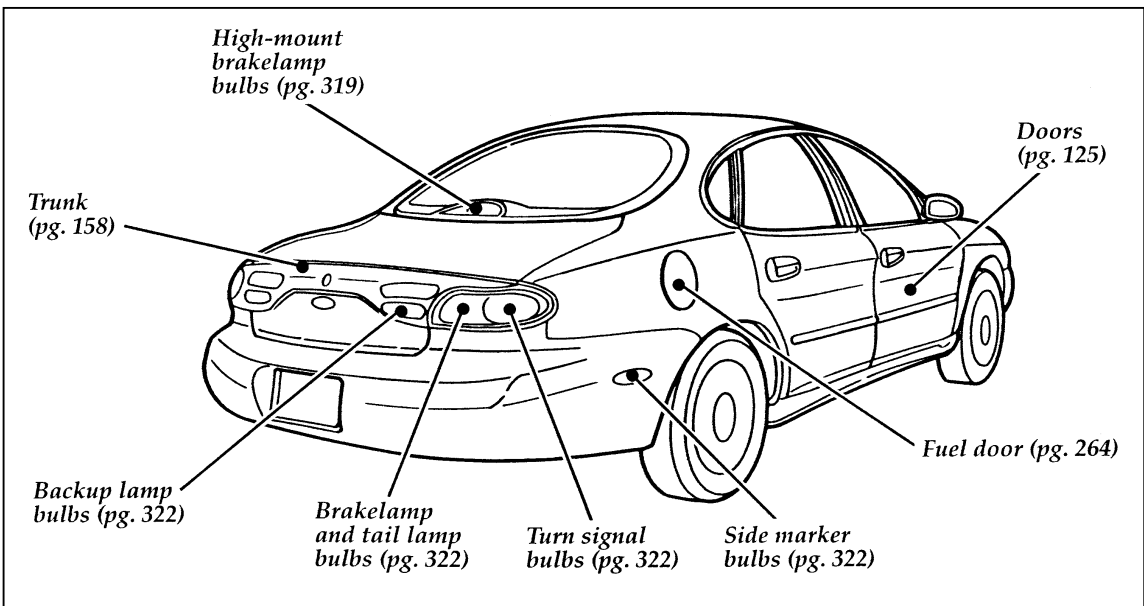


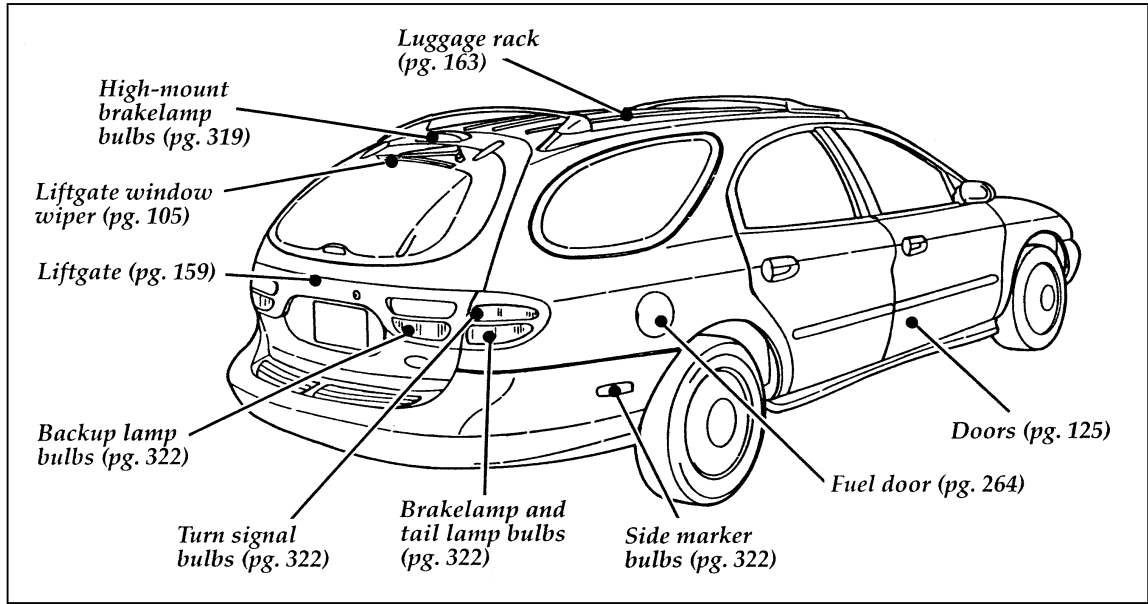
**Q
U
I
C
K
I
N
D
E
X**

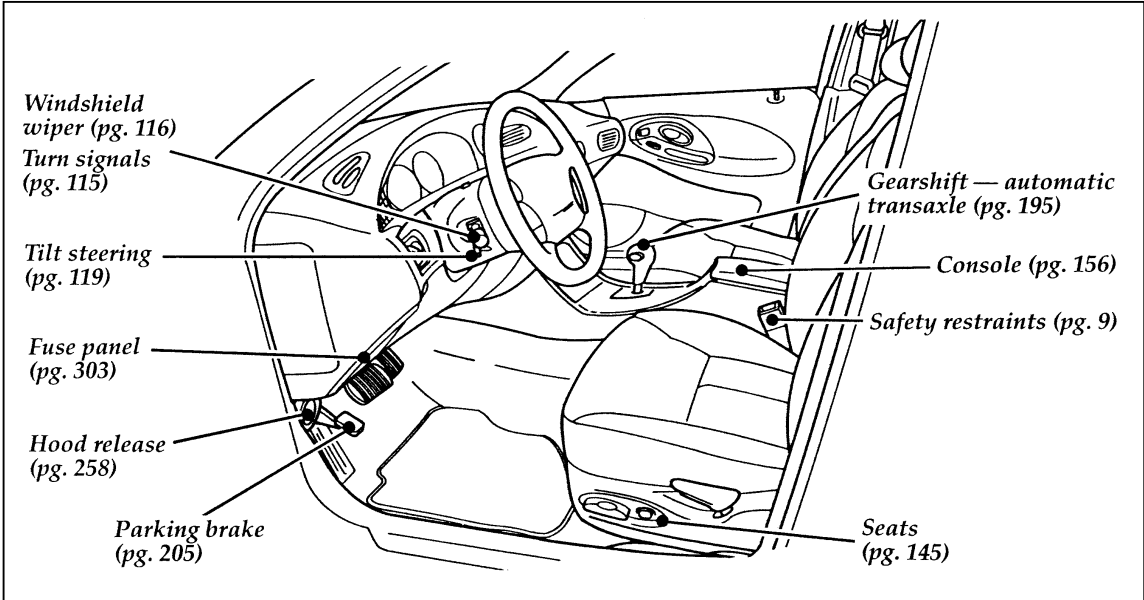
Warning label locations



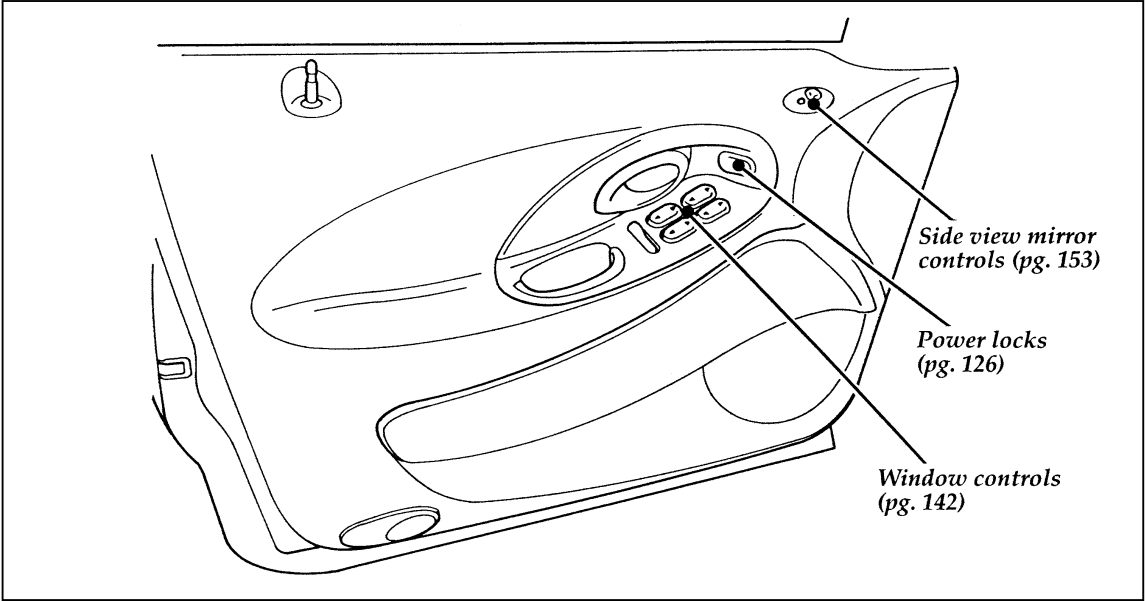


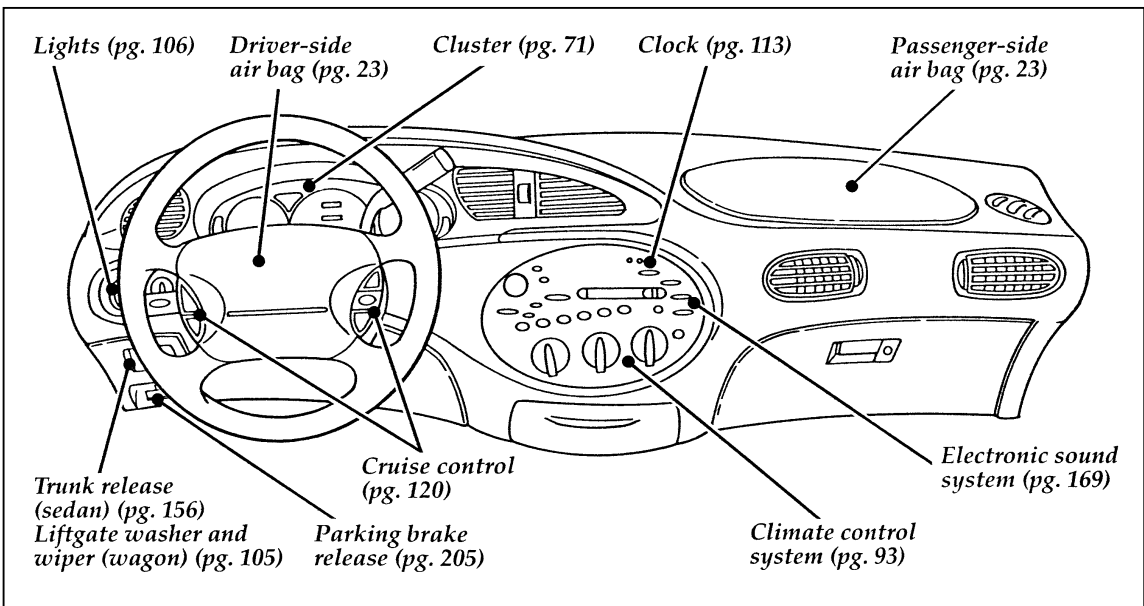


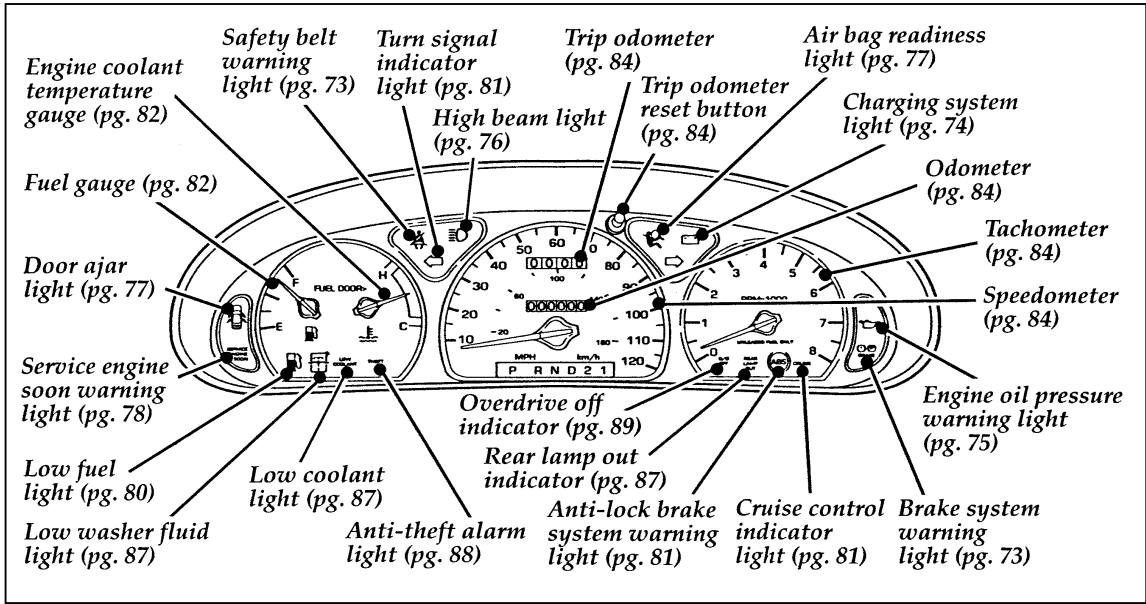


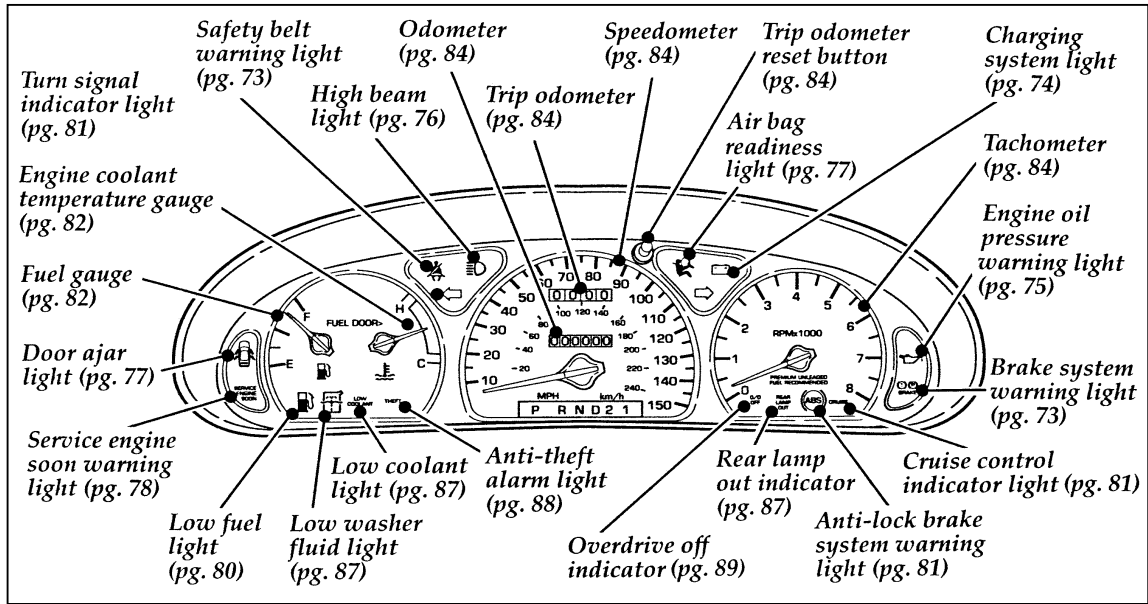


Entrance View (Console Shift Shown — Column Shift Similar)
346

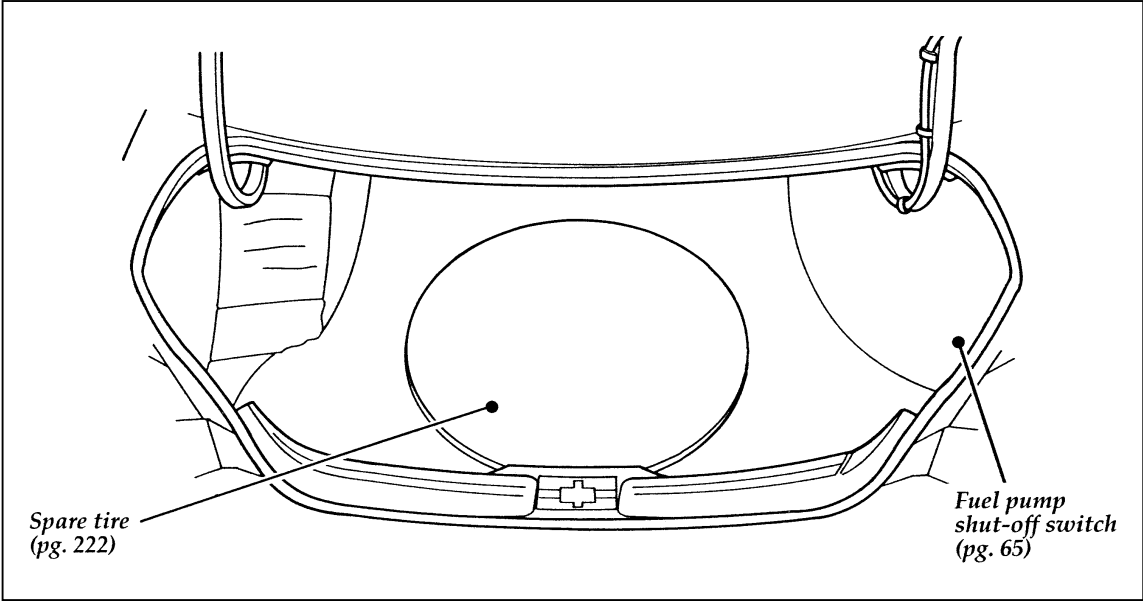








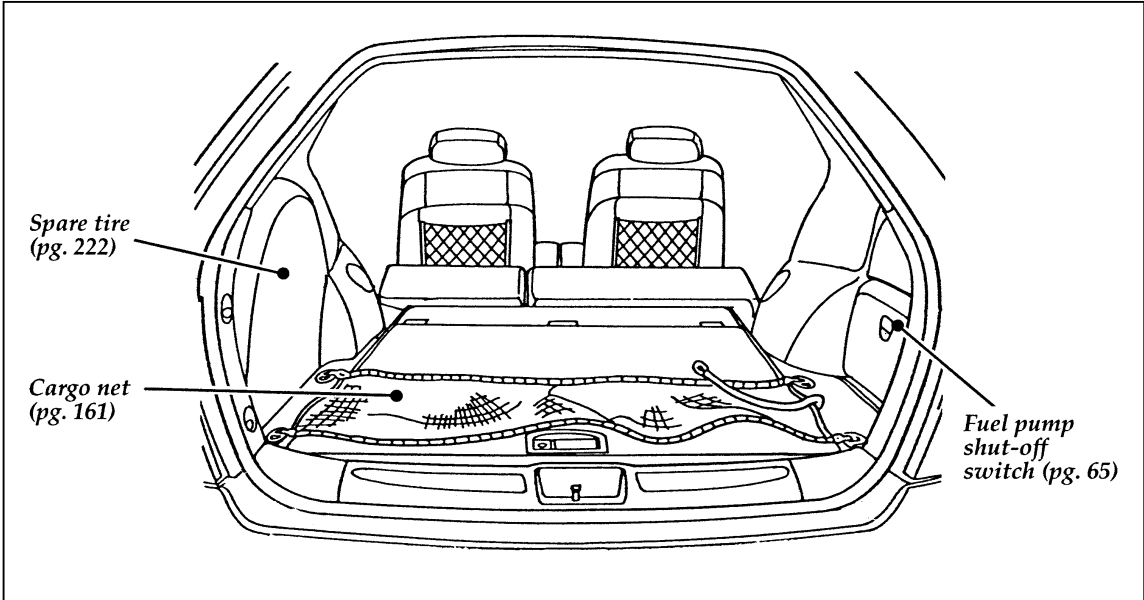
Trunk



351

Q U I C K - I N D E X

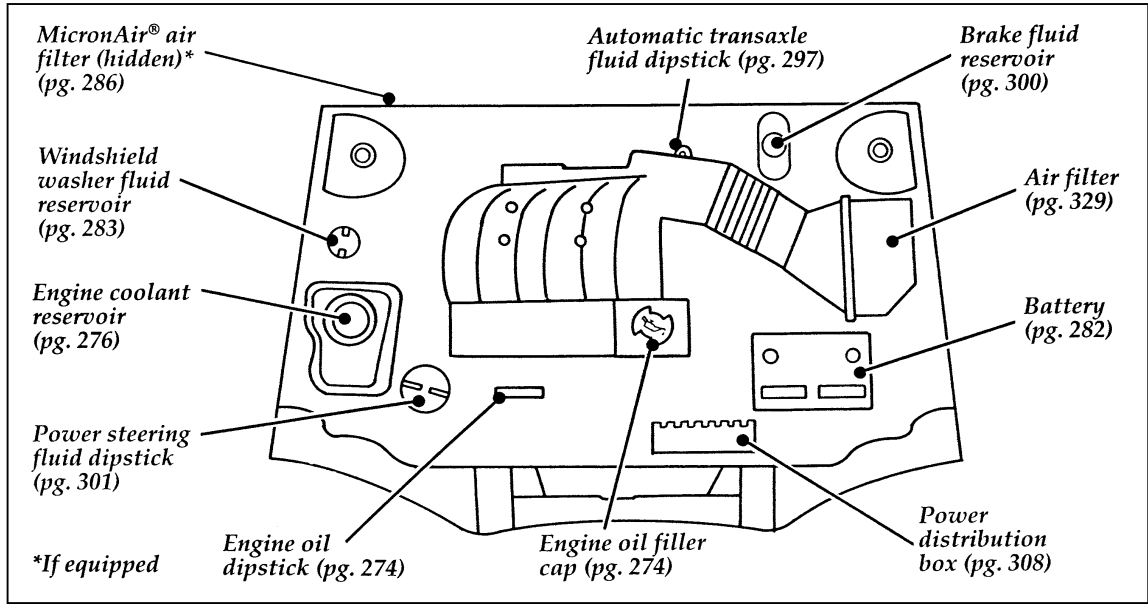
Wagon Cargo Area



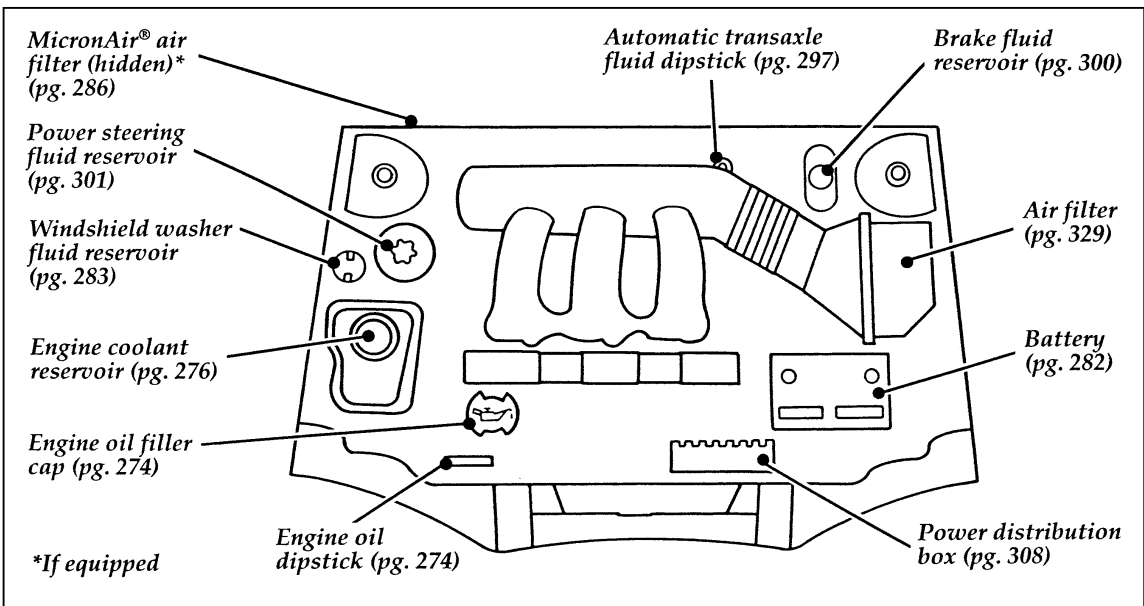
Spare tire
(pg. 222)

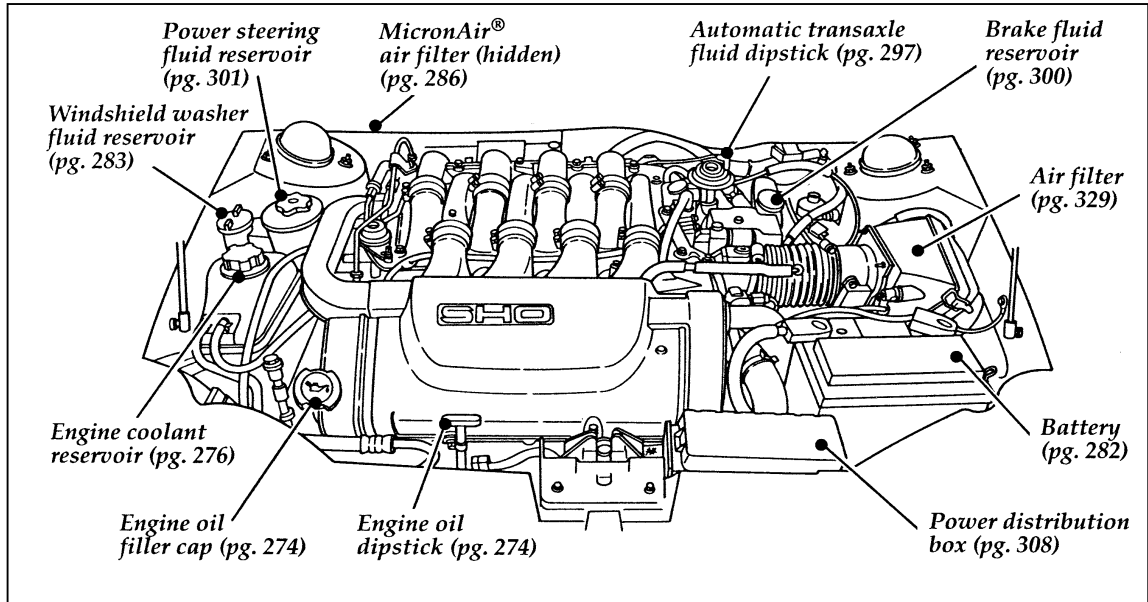
Cargo net
(pg. 161)

Fuel pump
shut-off
switch (pg. 65)



3.0L Duratec Engine Compartment





Index

A

- ABS warning light
 - (see Anti-lock brake system) 81
- Accessory position on the ignition 59
- Additives, engine oil 273
- Air bag supplemental
 - restraint system. 23
 - and child safety seats 26, 33
 - description 23
 - disposal 31
 - driver air bag 23
 - indicator light 77
 - operation 27
 - passenger air bag 23
 - proper seating 24
 - service and information labels 27
 - tone generator 30
 - wearing safety belts. 24
- Air cleaner filter
 - location 260
 - replacing. 296
 - specifications 329
- Air conditioning
 - electronic automatic temperature control system 95
 - manual heating and air conditioning system 93
- Alarm, activating remote personal 135
- Antenna, radio
 - (see Electronic sound system) 176
- Antifreeze (see Engine coolant). 276
- Anti-lock brake system (ABS)
 - description 203
 - see also Brake 202
 - warning light. 81

Anti-theft lug nuts and key.	232
Anti-theft system	
arming the system	138
triggering	138
Appeals (see Dispute settlement board)	240
Assistance (see Customer assistance).	237
Audio system	
(see Electronic sound system)	169
Autolamp system (see Headlamps)	108
Automatic transaxle	
driving with	191, 195
fluid, adding	298
fluid, checking	296
fluid, refill capacities	328
fluid, specification.	330
Axle	
lubricant specifications.	330
refill capacities	328

B

Backing up	193, 198
Basic vehicle warranty	4
Battery	
acid, treating emergencies	217
battery saver	113
charging system warning light	74
disconnecting	282
jumping a disabled battery.	217
proper disposal, recycling	283
replacement, specifications	329
servicing	282
when storing your vehicle	333
Brake fluid	
brake warning light	73
checking and adding	298
description	298
specifications	330

Brakelamp	
high-mount brakelamp	319
lamp out warning light	87
Brakes	
adjustment	202
anti-lock	203
anti-lock brake system (ABS)	
warning light	81
applying the brakes.	202
brake warning light.	73
fluid, checking and adding	298
fluid, refill capacities	298
fluid, specifications	330
front disc	202
master cylinder.	298
new brake linings.	5
noise	203
parking	205
servicing.	298
trailer	215
when storing your vehicle.	333
Brake-shift interlock	192, 196
Break-in period	5
Brights (high beams)	76, 115
Built-in child seat	46
Built-in child seat, cleaning.	57
Bulbs, replacing	
headlamps	313
high-mount brakelamp	319
specifications	322

C

Canada, customer assistance	245
Canadian Motor Vehicle Arbitration Plan (CAMVAP)	246
Capacities for refilling fluids	328
Carbon monoxide in exhaust	68
Cargo cover.	162
Cargo net.	161
Car seats for children (see Child safety seats)	33
Cassette tape player (see Electronic sound system)	177
Catalytic converter.	323
CD player (see Electronic sound system).	182
Chains, tires	294
Changing a tire	222
Charging system warning light	74
Childproof locks.	125
Child safety restraints	31
child safety belts	57
child safety seats	33
Child safety seats and air bags	26, 33
attaching with tether straps	43
automatic locking mode (retractor)	14, 33
built-in	46
in front seat	35
in rear outboard seat	35
tether anchorage hardware.	44
Chime headlamps on.	77
key in ignition	60
safety belt	73
Cleaning your vehicle built-in child seat	57
CD player and discs.	187
chrome and aluminum parts	7
engine compartment.	264
exterior	6

Cleaning your vehicle (continued)	
exterior lamps	108
fabric	151
headlamps	108
instrument panel	91
interior	151
interior lamps	113
mirrors	154
plastic parts	7
polishing.	6
rear windows	105
rustproofing	7
safety belts.	23
tail lamps	108
upholstery and interior trim	151
washing	6
waxing	6
wheels.	295
windows.	105
Climate control system	
electronic automatic	
temperature control.	95
manual heating and air conditioning	93
Clock	113
Cold engine starting.	62
Combination lap and shoulder belts	12
Compact disc player (see Electronic	
sound system)	182
Console, description.	156
Controls	
instrument panel	91
mirrors	153
steering column	115

Coolant (see Engine coolant)	
checking and adding	276
drain and flush	280
preparing for storage	333
refill capacities	328
specifications	330
temperature gauge	82
Cooling fan	256
Cruise control	120
Cupholder(s)	156
Customer Assistance Center, Ford (U.S.)	239
Customer Assistance Centre, Ford of Canada	239, 245

D

Dashboard (see Instrument panel)	91
Daytime running light system	107
Defects, reporting	244
Defrost	
rear window and side view mirrors.	104
windshield	95, 103
Dipstick	
automatic transaxle fluid.	296
engine oil	273
power steering fluid.	300
Disabled vehicle (see Towing)	233
Dispute Settlement Board	240
Doors	125
childproof locks.	125
door ajar warning light	77
lubricant specifications.	330
Driving under special conditions	
bad weather	206
heavy load	208
high speed	290
high water	208
slippery roads	206
tips for safe driving	206
towing a trailer	211

E

Electrical system	
fuses	303
operating when the engine is off	59
relays	303
Electronic sound system	
radio reception	177
tuning the radio	173
warranty and service information	190
Electronic stereo cassette radio	
(see Electronic sound system)	172
Electronic stereo radio (see Electronic sound system)	
.	172
Emergencies, roadside	
assistance	237
battery acid spills	217
fuel	268
jump-starting	217
towing	233
Emergency brake (parking brake)	205
Emission control system	
catalytic converter	323
emissions warranty	4, 323
Engine	
does not start	63, 65
fuel pump shut-off switch	65
preparing to start	61
refill capacities	328
service points	260
starting	62
starting after a collision	65
storing your vehicle	332
Engine block heater	64
Engine coolant	
checking and adding	276
checking hoses	277
disposal	280
drain and flush	280
preparing for storage	333

Engine coolant (continued)	
proper solution	278
recovery reservoir	277
refill capacities	328
specifications	330
temperature gauge	82
Engine coolant temperature gauge	82
Engine fan	256
Engine oil	
changing oil and oil filter	275
checking and adding	273
dipstick	274
disposal	275
engine oil pressure warning light	75
filter, specifications	329
refill capacities	328
specifications	330
synthetic oil	273
“break-in” oils	5
viscosity	273
Entry system, keyless	128
Exhaust fumes	68
Extended Service Plan, Ford	4

F

Fan, engine fan, avoiding injury	256
Flashers, hazard	118
Flashing the lights	116
Flat tire.	222
Floor mats	152
Fluid refill capacities.	328

Ford Customer Assistance Center	239
Ford Dispute Settlement Board	240
Ford Extended Service Plan	4
Ford Motor Company of Canada	245
Ford of Canada Customer Assistance Centre	245
Foreign registration	247
French owner guides, how to obtain	3
Fuel	264
calculating fuel economy	270
capacity	328
choosing the right fuel	266
comparisons with EPA fuel economy estimates	271
filling your vehicle with fuel.	264
filter, specifications	329
fuel gauge	82
improving fuel economy	271
octane rating	266
quality.	267
running out of fuel	269
safety information relating to automotive fuels	268
storing your vehicle.	332
treating emergencies	268
Fuel cap	264
removing	264
replacing.	265
Fuel filter, specifications	329
Fuel gauge	82
Fuel pump shut-off switch engine does not start	65
starting after a collision	65
Fuse panels instrument panel	304
power distribution box	308

Fuses	
checking and replacing	311

G

Gas cap (see Fuel cap)	264
Gas mileage (see Fuel economy)	270
Gasoline (see Fuel).	264
Gauges, Mechanical	
engine coolant temperature gauge	82
fuel gauge	82
odometer.	84
speedometer	84
tachometer	84
trip odometer.	84
GAWR (Gross Axle Weight Rating)	
calculating	209
definition.	208
driving with a heavy load	208
location	208
Gearshift	
automatic operation	192, 195
column-mounted	197
console-mounted	198
locking the gearshift.	59
positions	192, 195
shifting the gears	192, 195
shift-lock	192, 196
GVWR (Gross Vehicle Weight Rating)	
calculating	209
definition.	208
driving with a heavy load	208
location	208

H

Hazard flashers	118
Headlamps	
aiming	316
autolamp system	108
bulb specification	322
checking alignment	313
cleaning	108
daytime running lights	107
flashing	116
high beam	115
replacing bulbs	313
turning on and off	106
warning chime	77
Head restraints	145
Heated mirrors	104
Heating	
electronic automatic temperature control system	95
manual heating and air conditioning system	93
High beams	115
indicator light	76
operation	115
High-mount brakelamp, replacing the bulb	319
Hitch	214
Hood	
latch location	259
lubrication specifications	330
release lever	258
working under the hood	256
Horn	119
Hoses, checking	277

I

Identification Number, Vehicle (VIN)	240
Idle, relearning	221, 282
Ignition	
chime	60
positions of the ignition	59
removing the key	60
Infant seats (see Safety seats)	33
Instrument Cluster.	71, 84
Instrument panel	
lighting up panel and interior	110
location of components	92
Interval wipers	117

J

Jack	
positioning	225
Jump-starting your vehicle	
attaching cables.	219
disconnecting cables.	221

K

Keyless entry system	
locking and unlocking doors	130
programming entry code.	129
Keys	
key in ignition chime	60
positions of the ignition	59
removing from the ignition	60
stuck in lock position	59

L

Lamps

autolamp delay system	108
bulb replacement specifications chart	322
daytime running light system	107
dome lamps	111
flashing the lamps	116
hazard flashers	118
headlamps	106
high beams	115
illuminated mirrors	155
instrument panel, dimming	110
interior lamps	110
map lamps	111
trailer	215
Lane change indicator (see Turn signal)	115

Lap belts	21
---------------------	----

Lights, warning and indicator

air bag	77
anti-lock brakes (ABS).	81
brake	73
charging system	74
door ajar.	77
engine oil pressure	75
hazard warning light	118
high beam	76
lamp out.	87
low fuel	80
low washer fluid	87
oil pressure	75
safety belt	73
service engine soon	78
speed control (see cruise control).	81
turn signal indicator	81

Load limits	208
GAWR	208
GVWR	208
trailer towing	211
Lubricant specifications	330
Luggage compartment	158
Luggage rack	163
Lug nuts	
anti-theft	232
standard	227
tightening sequence	229
Lumbar support pad.	149

M

Maintenance schedule and record (see separate Maintenance Schedule and Record booklet).	3
Maintenance (see Servicing)	255
Master cylinder, brakes	298
Mileage, calculating fuel economy.	270
Mirrors	
heated	104
side view mirrors	153
vanity mirror, illuminated	155
Moon roof	144
Motorcraft parts.	329

N

National Highway Traffic Safety Administration	244
New vehicle break-in	5

O

Octane rating	266
Odometer	
description	84
trip odometer	84
Oil filter	329
Oil (see Engine oil)	272
Oil viscosity	273
On-board diagnostic (OBD II) system	325
Overdrive	194, 199
Overseas offices.	247

P

Panic alarm feature, remote	
entry system	135
Parking brake	
operation	205
warning light.	73
Parts (see Motorcraft Parts)	329
PCV valve, specifications	329
Phone, cellular	158
Power distribution box (see Fuses)	308
Power door locks	126
Power features	
door locks	126
lumbar support.	149
mirrors	153
moon roof	144
seats.	148
windows.	142
Power steering	
dipstick	301
driving with power steering	201
fluid, checking and adding	300
fluid, refill capacity	328
fluid, specifications	330
servicing.	201

R

Radio (see Electronic sound systems) . . .	169
Rear window	
defroster	104
washer	105
washer reservoir	284
Refill capacities for fluids	328
Regulations, National Highway Traffic	
Safety Administration	244
Relays	303
Remote entry system	
arming and disarming the	
anti-theft system	136
locking/unlocking doors.	134
panic alarm.	135
replacement/additional transmitters.	137
replacing the batteries	136
Reporting safety defects	244
Restraints, safety (see Safety restraints)	
adult.	9
child.	31
head.	145
infant	31
Ride control, Semi-Active.	202
Roadside assistance	237
Roadside emergencies	217
Roof rack	163
Rotating the tires	290

S

Safe driving tips.	206
Safety belts (see Safety restraints)	9
Safety chains, when towing a trailer.	214
Safety Compliance Certification Label	208
Safety defects, reporting	244
Safety information relating to	
automotive fuels	268

Safety restraints	
adjusting the safety belts	12, 15, 21
automatic locking mode	14
center front lap belt	21
center rear lap belt	21
cleaning the safety belts	23
extension assembly	22
for adults	9
for children	31
for infants	31
head.	145
lap and shoulder belts	12
lap belt	21
maintenance	23
proper use	9
replacement	23
warning light and chime	73
Safety seats for children	
and air bags	26, 33
attaching with tether straps	43
automatic locking mode (retractor)	14, 33
in front seat	35
in rear outboard	35
tether anchorage hardware	43
Seat belts (see Safety restraints).	9
Seats	
adjusting the seat, manual	147
adjusting the seats, power	148
child safety seats	33
cleaning upholstery	151
head restraints	145
lumbar support.	149
split-folding rear seat	149
Semi-Active ride control	202
Serial number (VIN).	240
Service concerns	238

Servicing your vehicle	255
precautions when servicing	256
servicing when you tow	216
Shift-lock system	192, 196
Shift positions	
(see Gearshift)	193, 197
Shoulder and lap belts	
(see Safety restraints)	12
Shoulder belts	
(see Safety restraints)	12
Side mirrors	
adjusting	153
heated	104
Sliding moon roof (see Moon roof)	144
Snow tires and chains	294
Spare tire	
changing the tire	222
conventional spare	223
finding the spare	223
removing the spare tire	223
storing the flat tire	223
temporary spare	222
Spark plugs, specifications	329
Special driving conditions	206
Specification chart, lubricants	330
Speed control (see cruise control)	
accelerating	122
indicator light	81
resetting	123
tap up/tap down	123
turning off	124
when towing a trailer	122, 216
Speedometer	84
Starting your vehicle	
preparing to start your vehicle	61
starting a cold engine	62
starting after a collision	65
starting a warm engine	62
starting your vehicle if the battery is disabled	217

Steering, power	201
Steering wheel	
horn	119
locking	59
speed controls	120
tilting	119
Storage compartments	
cargo area	160
cargo net	161
center console	156
locking storage	161
Storing your vehicle	331
Sunroof (moon roof)	144
Sun visor	154
Supplemental air bag readiness light	77
Supplemental Restraint System (SRS)	23

T

Tachometer	84
Tail lamps, cleaning	108
Temperature control (see Climate control)	93
Tether anchor installation (see Child restraints)	43
Tilt steering wheel	119
Tires	288
changing	222
checking the pressure	288
cleaning	295
inspection and maintenance	288
replacing	291
rotating	290
snow tires and chains	294
spare tire	222
storing your vehicle	333
tire grades	292
treadwear	293
wear bands	291
Towing a trailer (see Trailer towing)	211

Towing your vehicle	233
using wheel dollies	233
with a tow truck	233
Trailer towing.	211
calculating maximum trailer weight.	209
safety chains	214
tips	216
trailer brakes	215
trailer lamps	215
Transaxle	
automatic operation	192, 195
fluid, checking and adding (automatic).	296
fluid, refill capacities	328
lubricant specifications.	330
Trip odometer.	84
Tune-up specifications (VECI).	325
Turn signal	
indicator lights	81
lever.	115

U

Used engine oil, disposal.	275
------------------------------------	-----

V

Vanity mirror	155
Variable interval wipers	117
VECI (Vehicle Emission Control Information)	
decals	325
Vehicle Identification Number (VIN)	240
Vehicle loading	
automatic transaxles.	209
calculating the load	209
understanding loading information	208

Vehicle storage	331
Ventilating your vehicle (see Climate control)	102
Viscosity (see Engine oil)	273
Visor (see Sun visor)	154

W

Wagon	
cargo cover	162
cargo net	161
liftgate window wiper and washer	105
luggage rack	163
Warm engine, starting	62
Warning chimes	
headlamps on	77
key in ignition	60
safety belt	73
Warning lights (see Lights).	71
Warranties	
basic.	4
Canada	4
radio	190
Warranty Information Booklet	4
Washer fluid	116
rear window reservoir	284
reservoir	283
warning light.	87
windshield	283
Weight limits (GAWR, GVWR).	208
Wheel dollies (see Towing).	233

Wheels	
anti-theft lugnuts	232
cleaning	295
covers	229
inspection and maintenance	288
lug nuts	227
ornaments	226
Windows	
liftgate window	159
one-touch down.	143
power windows, operating.	142
rear, defrosting	104
Windshield	
defrosting	95, 103
washing	116
Windshield washer fluid and wipers	
checking and adding fluid	283
checking and replacing wiper blades	285
liftgate reservoir	284
low washer fluid light.	87
operation.	116
reservoir	283
variable interval wipers	117
Windshield wipers and washer	116
Wrecker towing	233

Service Station Information

Engine	3.0L V-6 Vulcan 2-valve Sequential Fuel Injection	3.0L Duratec 4-valve 6-cylinder Sequential Fuel	3.4L SHO
Fuel	UNLEADED FUEL ONLY — Octane 87		UNLEADED FUEL ONLY — Octane 91
Fuel Tank Capacity	16 gallons (60.6 liters)		18.0 gallons (68.2 liters)
Tire Size	Refer to tire pressure decal		
Tire Pressure	33 PSI (measured cold) Tire pressure decal in glove compartment		
Hood Release	Pull handle under left side of dash		
Engine Oil	Use only engine oil displaying the American Petroleum Certification Mark — 5W-30 preferred		
Engine Oil Capacity w/filter	4.5 quarts (4.25 liters)	5.5 quarts (5.2 liters)	6.5 quarts (6.1 liters)
Automatic Transaxle	Motorcraft MERCON® ATF		
Automatic Transaxle Capacity			
AX4S*	12.2 quarts (11.6 liters)	—	
AX4N**	13.5 quarts (12.8 liters)	13.4 quarts (12.7 liters)	13.4 quarts (12.7 liters)
Power Steering	Motorcraft MERCON® ATF		
Engine Coolant	11.6 quarts (11.0 liters)	10.6 quarts (10.0 liters)	10.6 quarts (10.0 liters)

* Door ID code is L

** Door ID code is X